

US00D907161S

(12) **United States Design Patent** (10) **Patent No.:** **US D907,161 S**
Chin (45) **Date of Patent:** **** Jan. 5, 2021**

(54) **OPTICS ADAPTER**
(71) Applicant: **David Chin**, Irvine, CA (US)
(72) Inventor: **David Chin**, Irvine, CA (US)
(**) Term: **15 Years**
(21) Appl. No.: **29/657,366**
(22) Filed: **Jul. 20, 2018**
(51) **LOC (13) Cl.** **22-01**
(52) **U.S. Cl.**
USPC **D22/110**
(58) **Field of Classification Search**
USPC D22/109-110
CPC . F41G 11/003; F41G 1/00; F41G 1/16; F41G
1/345
See application file for complete search history.

(56) **References Cited**
U.S. PATENT DOCUMENTS
D586,875 S * 2/2009 Swan D22/109
D784,481 S * 4/2017 Ding D22/110
2003/0154641 A1* 8/2003 Stover F41G 11/003
42/124
2014/0047755 A1* 2/2014 McClintock F41G 11/003
42/90
2020/0025522 A1* 1/2020 Zimmer F41G 11/003
2020/0109916 A1* 4/2020 Eichelberger F41G 11/003

* cited by examiner

Primary Examiner — Michael A. Pratt
(74) *Attorney, Agent, or Firm* — Kafantaris Law Offices;
Theo Kafantaris

(57) **CLAIM**

I claim the ornamental design for the optics adapter, as shown and described.

DESCRIPTION

FIG. 1 is a front view of the optics adapter, the rear being a mirror image;
FIG. 2 is a front-elevation view of FIG. 1, the rear side being a mirror image;
FIG. 3 is a side view of FIG. 1, the right side being a mirror image; and
FIG. 4 is a top view of FIG. 1;
FIG. 5 is a bottom view of FIG. 1;
FIG. 6 is an installed front-elevation view of FIG. 1, the right side being a mirror image;
FIG. 7 is an installed front view of FIG. 1, the rear side being a mirror image; and,
FIG. 8 is an installed side view of FIG. 1, the right side being a mirror image.
The broken lines are shown to illustrate unclaimed portions of the invention and form no part of the claimed design.
This embodiment is an optics adapter used on the riser for a firearm.

1 Claim, 3 Drawing Sheets

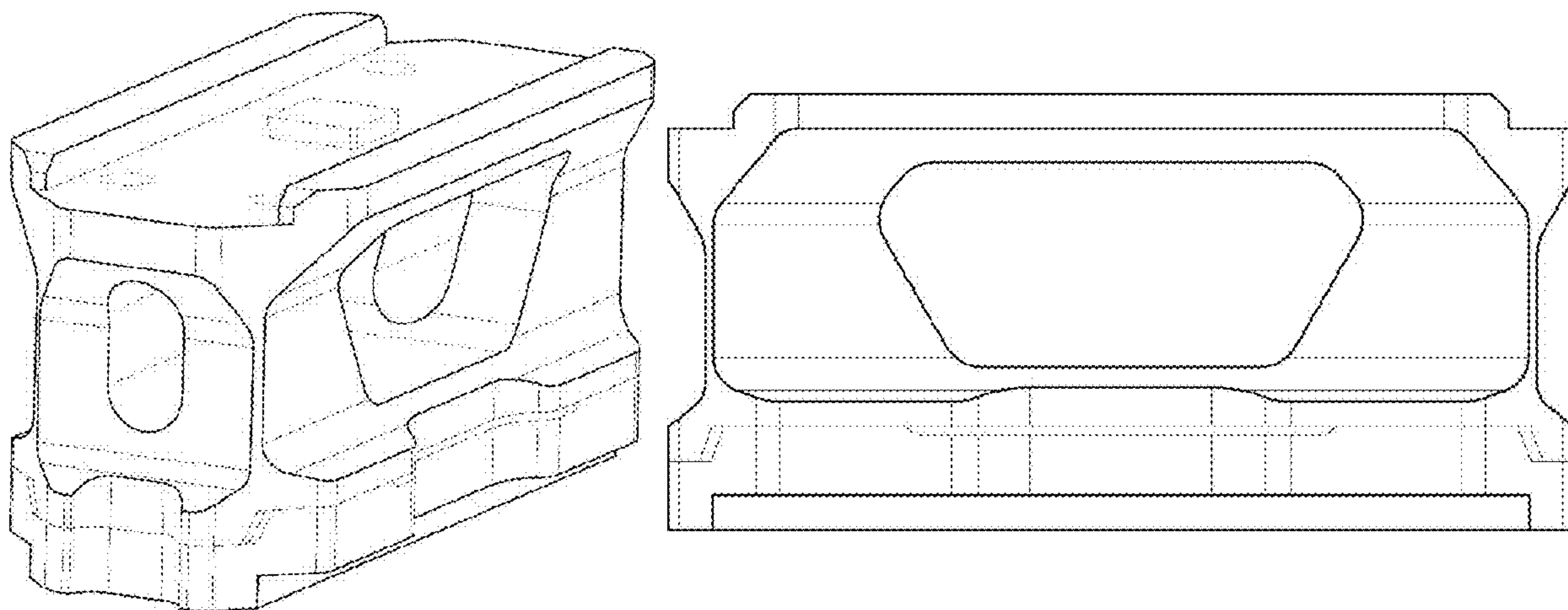


FIG. 1

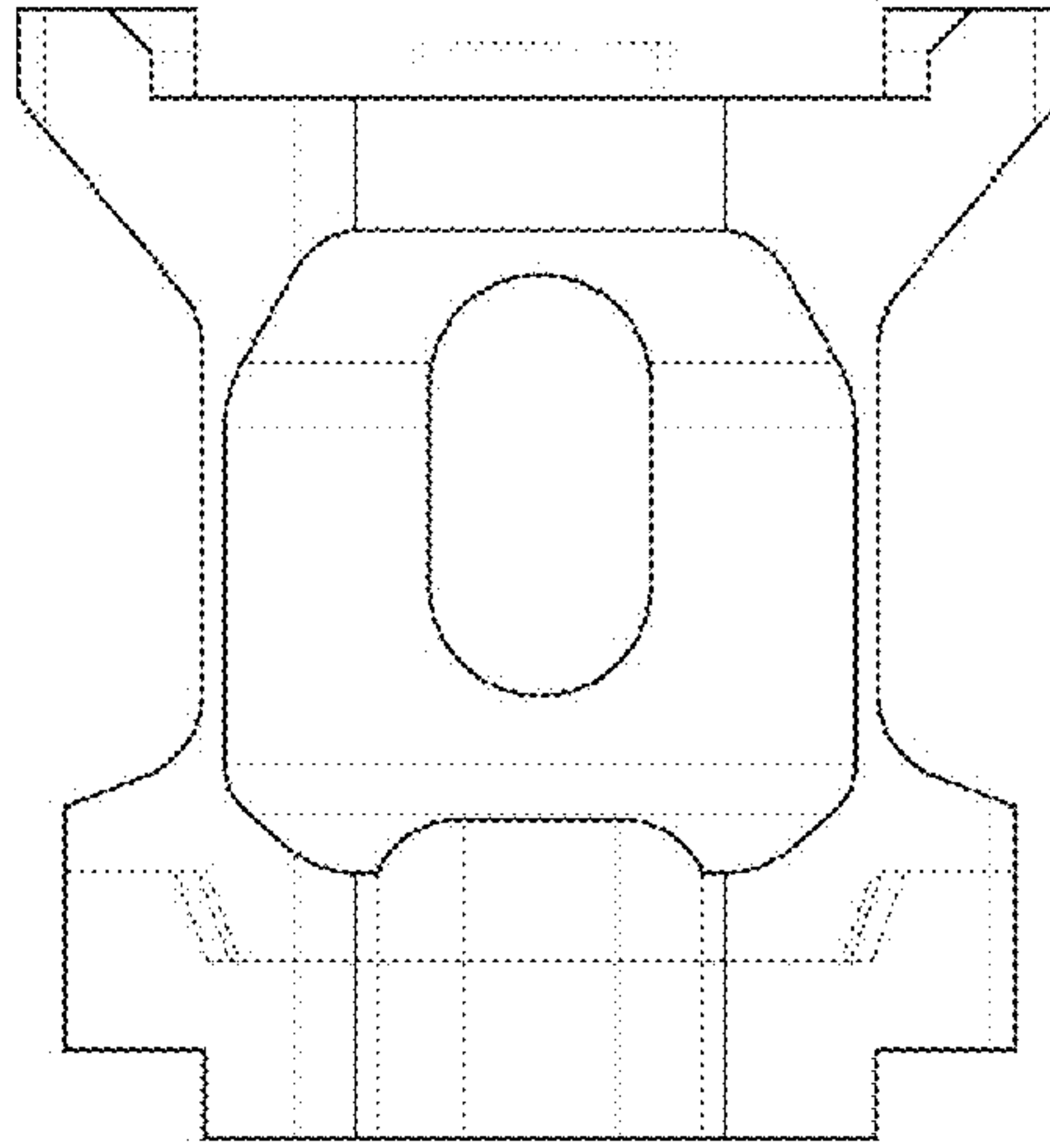


FIG. 2

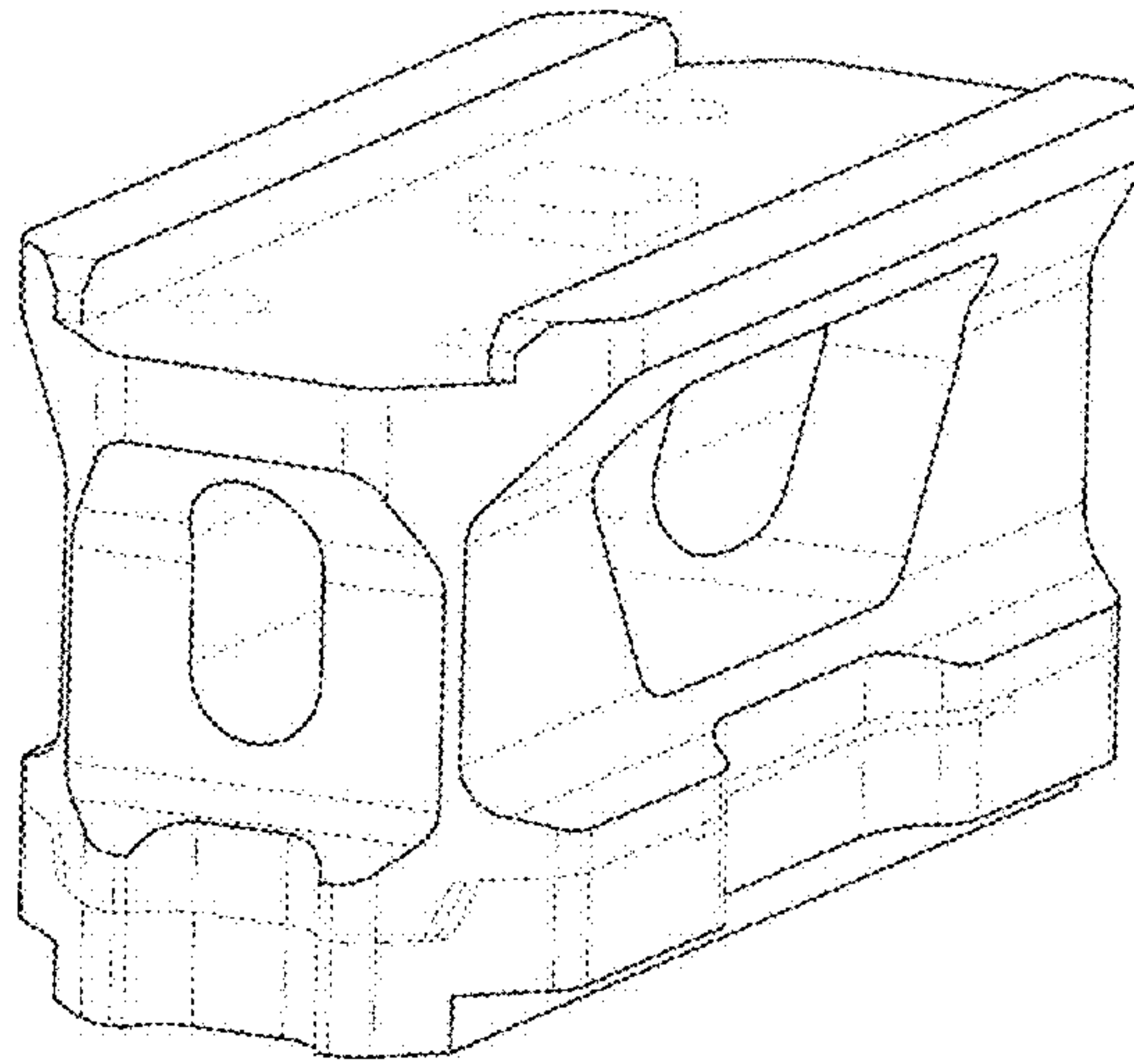


FIG. 3

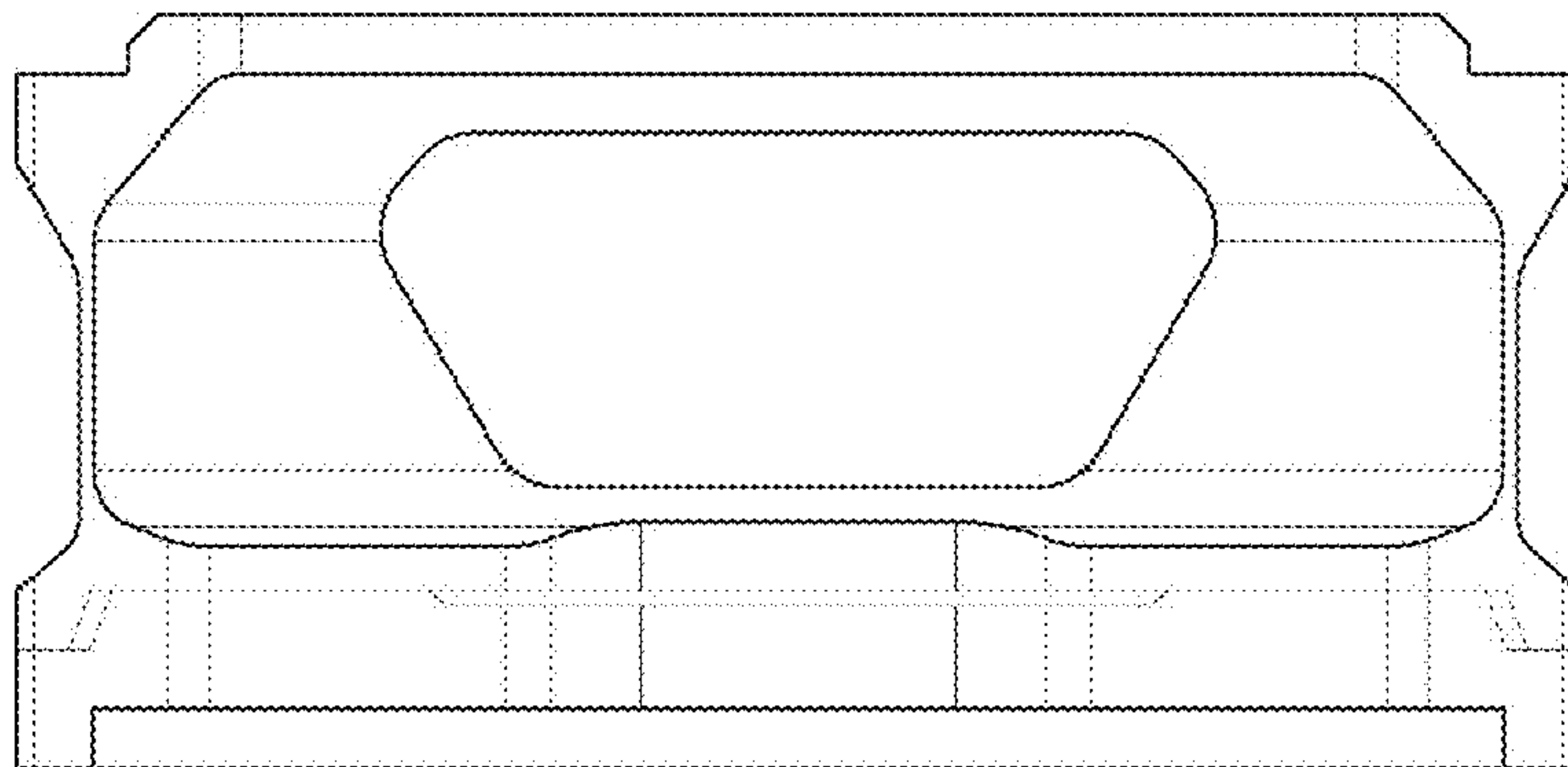


FIG. 4

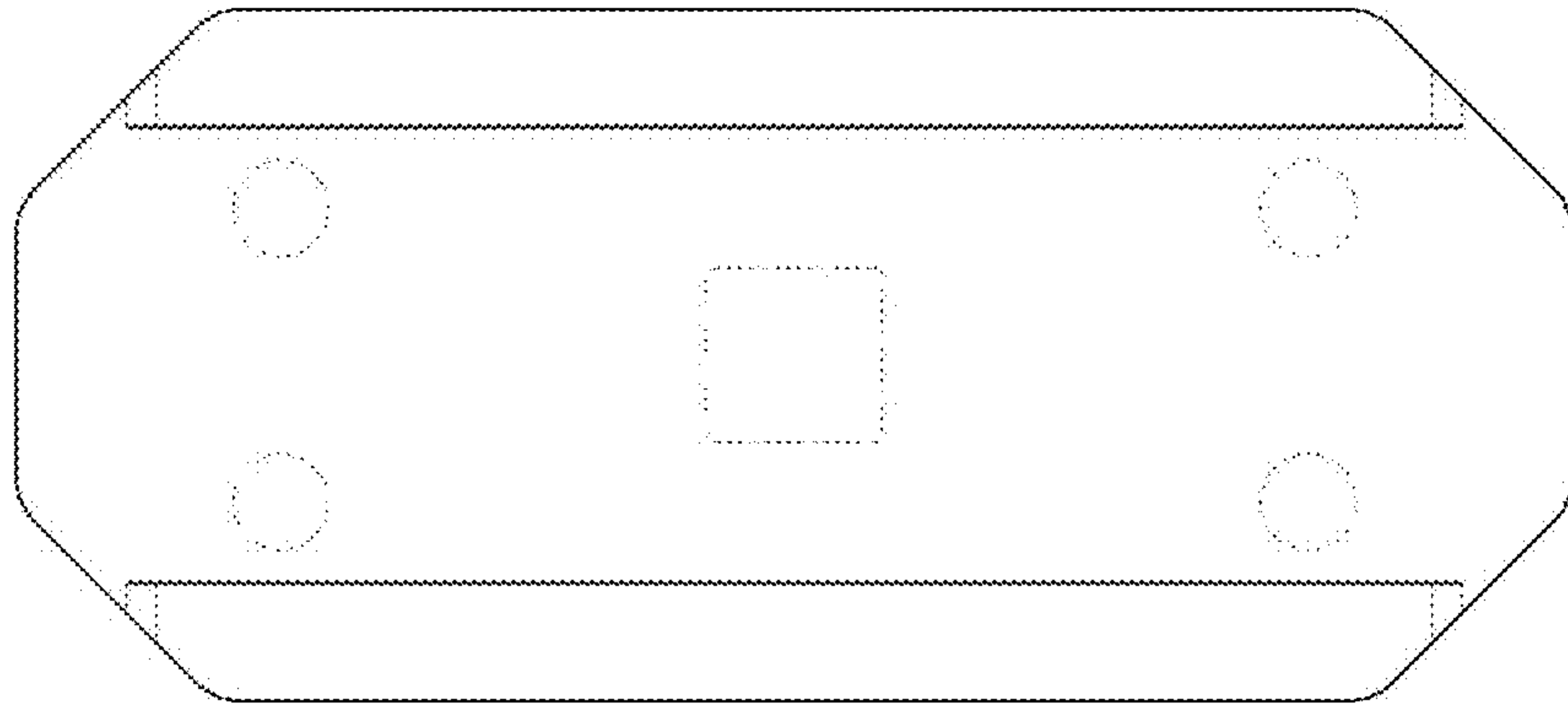


FIG. 5

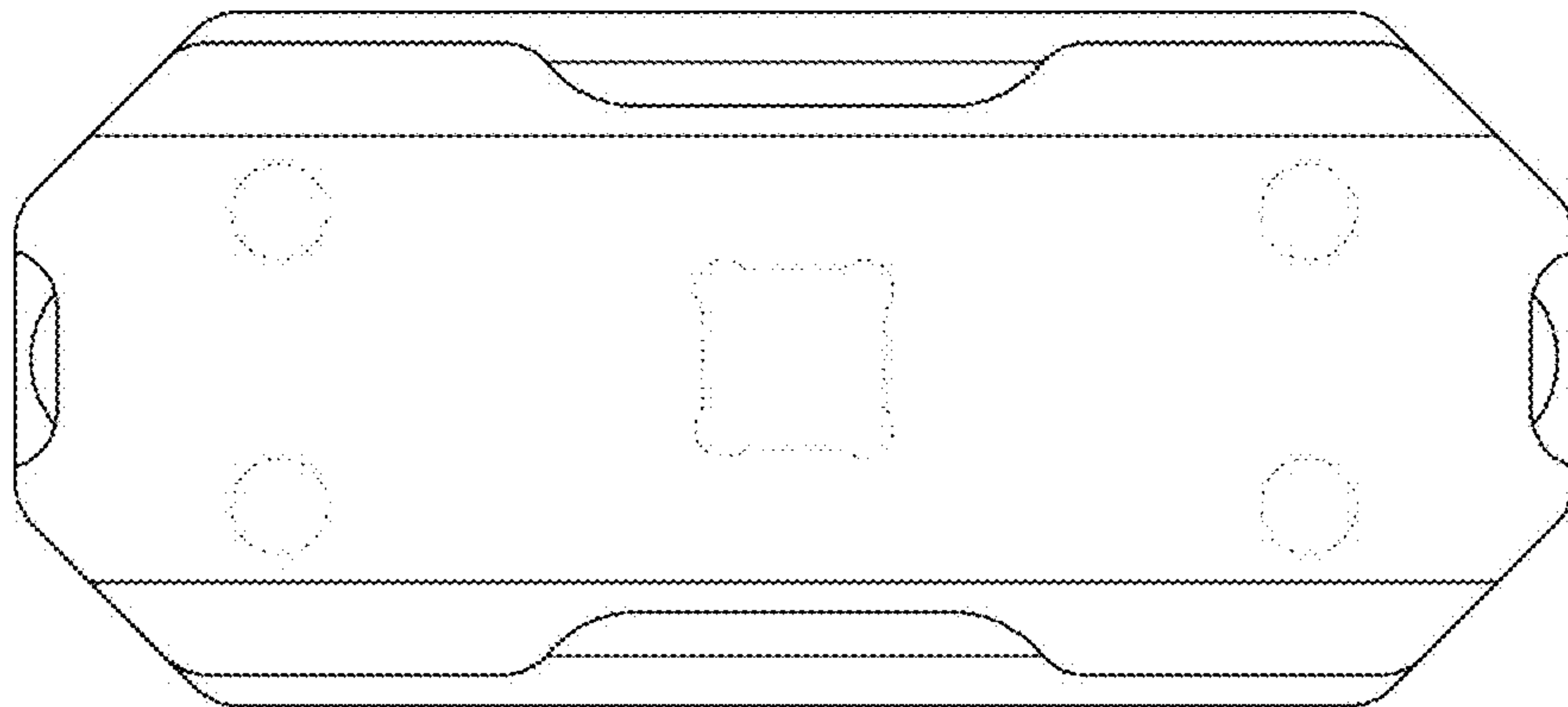


FIG. 6

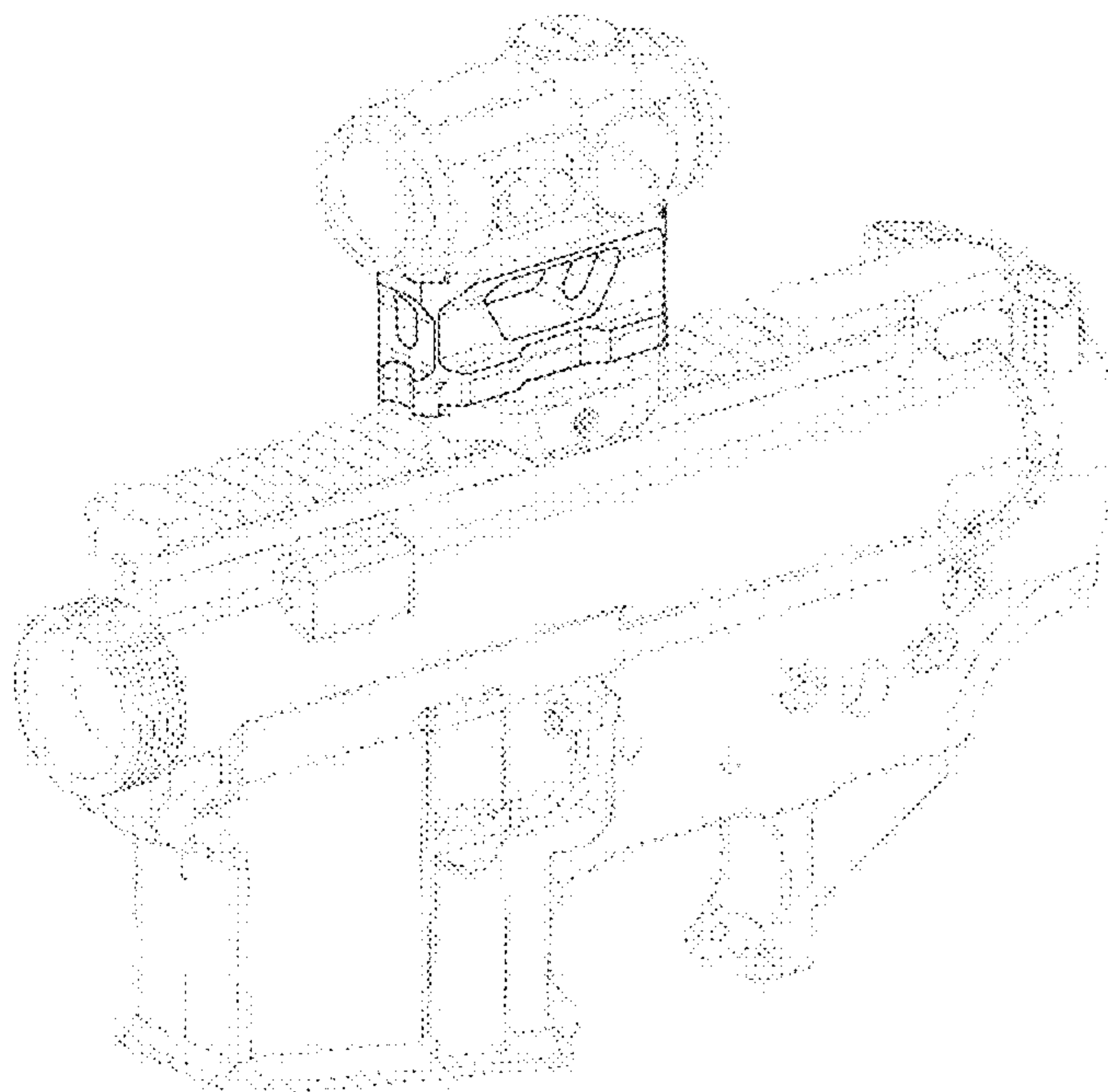


FIG. 7

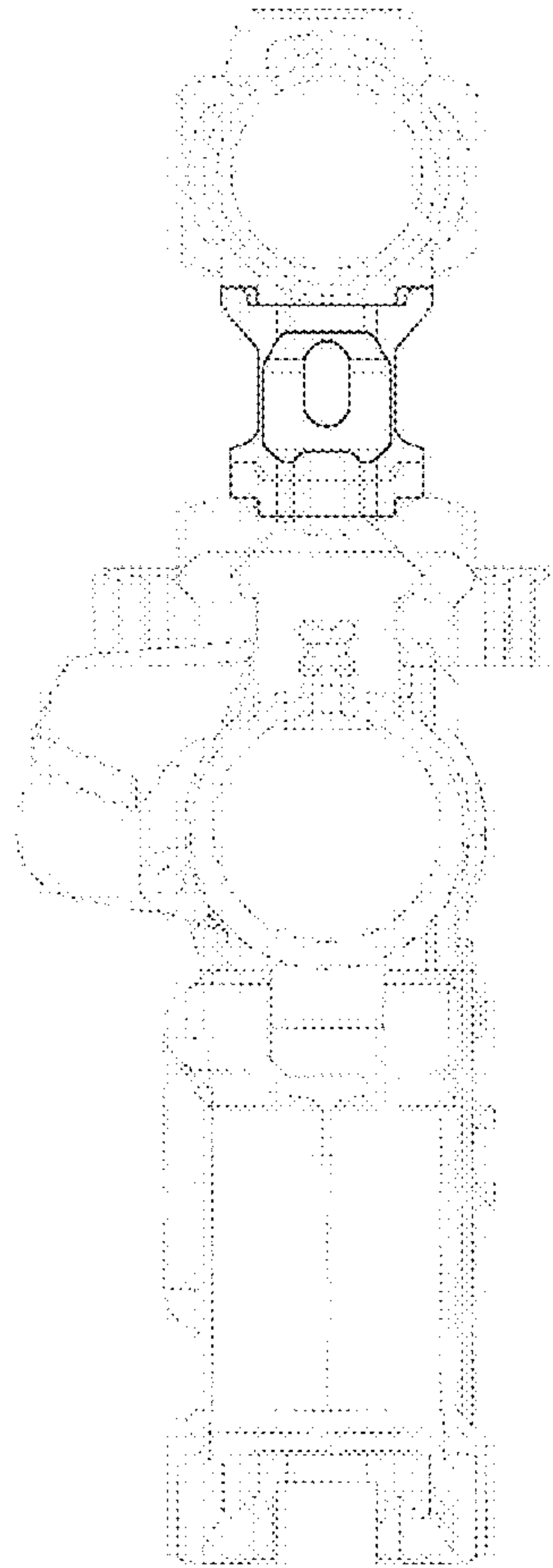


FIG. 8

