



US00D907160S

(12) **United States Design Patent**
McCoy, II et al.

(10) **Patent No.:** **US D907,160 S**

(45) **Date of Patent:** **** Jan. 5, 2021**

(54) **LEVER FOR OPTICAL SCOPES**

(71) Applicants: **Charles A. McCoy, II**, New Meadows, ID (US); **Brent R. McCoy**, Bellingham, WA (US)

(72) Inventors: **Charles A. McCoy, II**, New Meadows, ID (US); **Brent R. McCoy**, Bellingham, WA (US)

(**) Term: **15 Years**

(21) Appl. No.: **29/739,964**

(22) Filed: **Jun. 30, 2020**

(51) **LOC (13) Cl.** **22-01**

(52) **U.S. Cl.**
USPC **D22/108**

(58) **Field of Classification Search**
USPC D22/108-109; D8/88; D16/136
CPC F41G 1/16; F41G 1/28; F41G 1/22; G02B 7/04; F16H 59/0278; G05G 1/08; G05G 1/082; G05G 1/12
See application file for complete search history.

(56) **References Cited**

U.S. PATENT DOCUMENTS

- 5,521,757 A * 5/1996 Olson F41G 11/001 359/399
- D695,586 S * 12/2013 Brown D8/307
- D862,632 S * 10/2019 Enzinger D22/109

- 10,591,252 B2 * 3/2020 White F41G 1/38
- 2012/0105951 A1 * 5/2012 Lim F41G 1/00 359/422
- 2017/0059847 A1 * 3/2017 Lim F41G 1/38
- 2018/0120060 A1 * 5/2018 Schmidt F41G 1/38

* cited by examiner

Primary Examiner — Michael A. Pratt

(74) *Attorney, Agent, or Firm* — Eric B. Fugett; Mark A. Pitchford; Pitchford Fugett, PLLC

(57) **CLAIM**

What is claimed is the ornamental design for a lever for optical scopes, as shown and described.

DESCRIPTION

FIG. 1 is an elevated front perspective view of a lever for optical scopes showing our new design.

FIG. 2 is a depressed rear perspective view of the lever of FIG. 1.

FIG. 3 is a front elevational view of the lever of FIG. 1, the back being a mirror image thereof.

FIG. 4 is a right side elevational view of the lever of FIG. 1, the left side being a mirror image thereof.

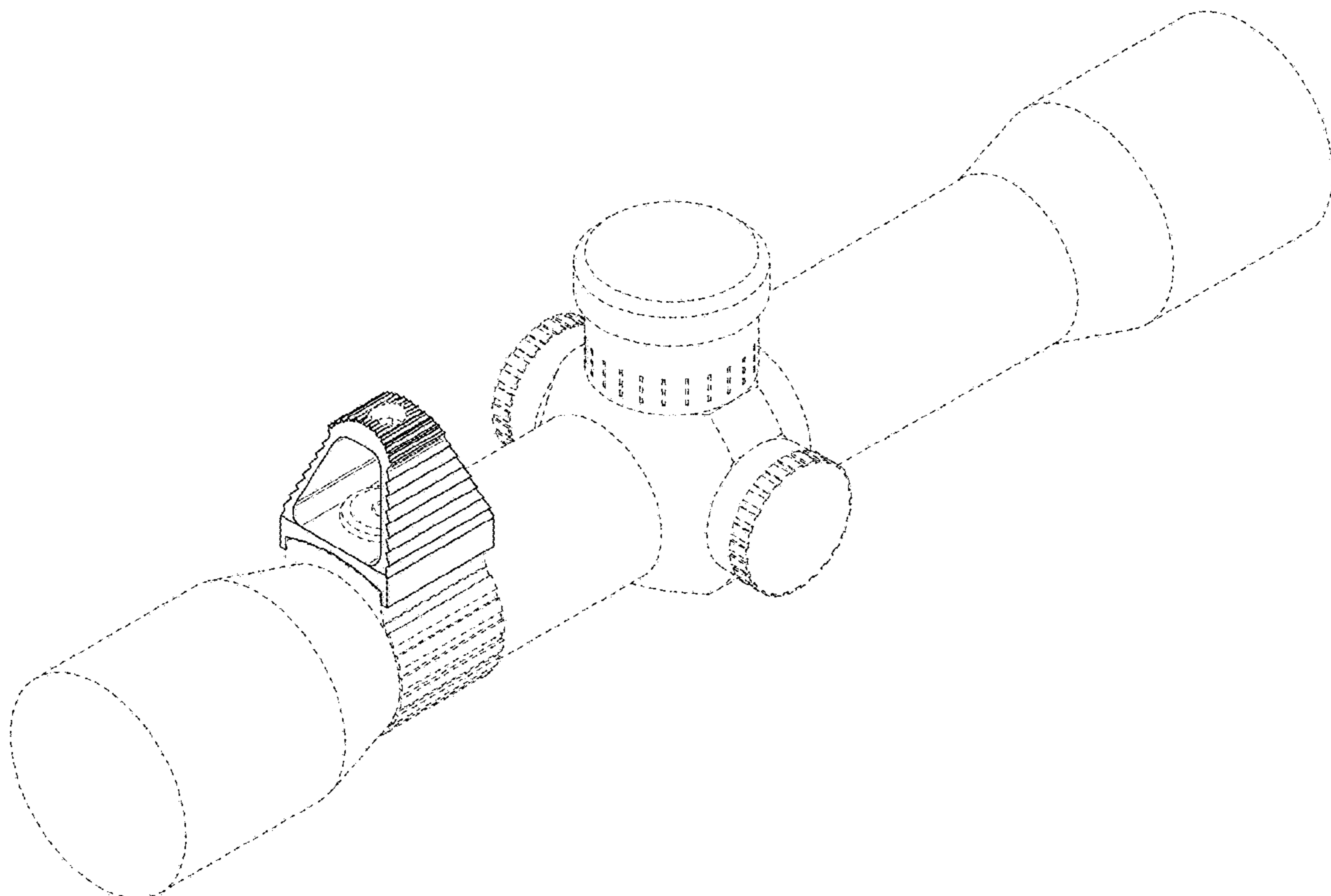
FIG. 5 is a top plan view of the lever of FIG. 1.

FIG. 6 is a bottom plan view of the lever of FIG. 1; and,

FIG. 7 is an elevated rear perspective view of the lever of FIG. 1 shown in a position of use on an optical scope.

The dashed lines in the form of an optical scope in FIG. 7 depict environmental subject matter and form no part of the claimed design. All the other dashed lines in the figures depict portions of the lever for optical scopes that form no part of the claimed design.

1 Claim, 3 Drawing Sheets



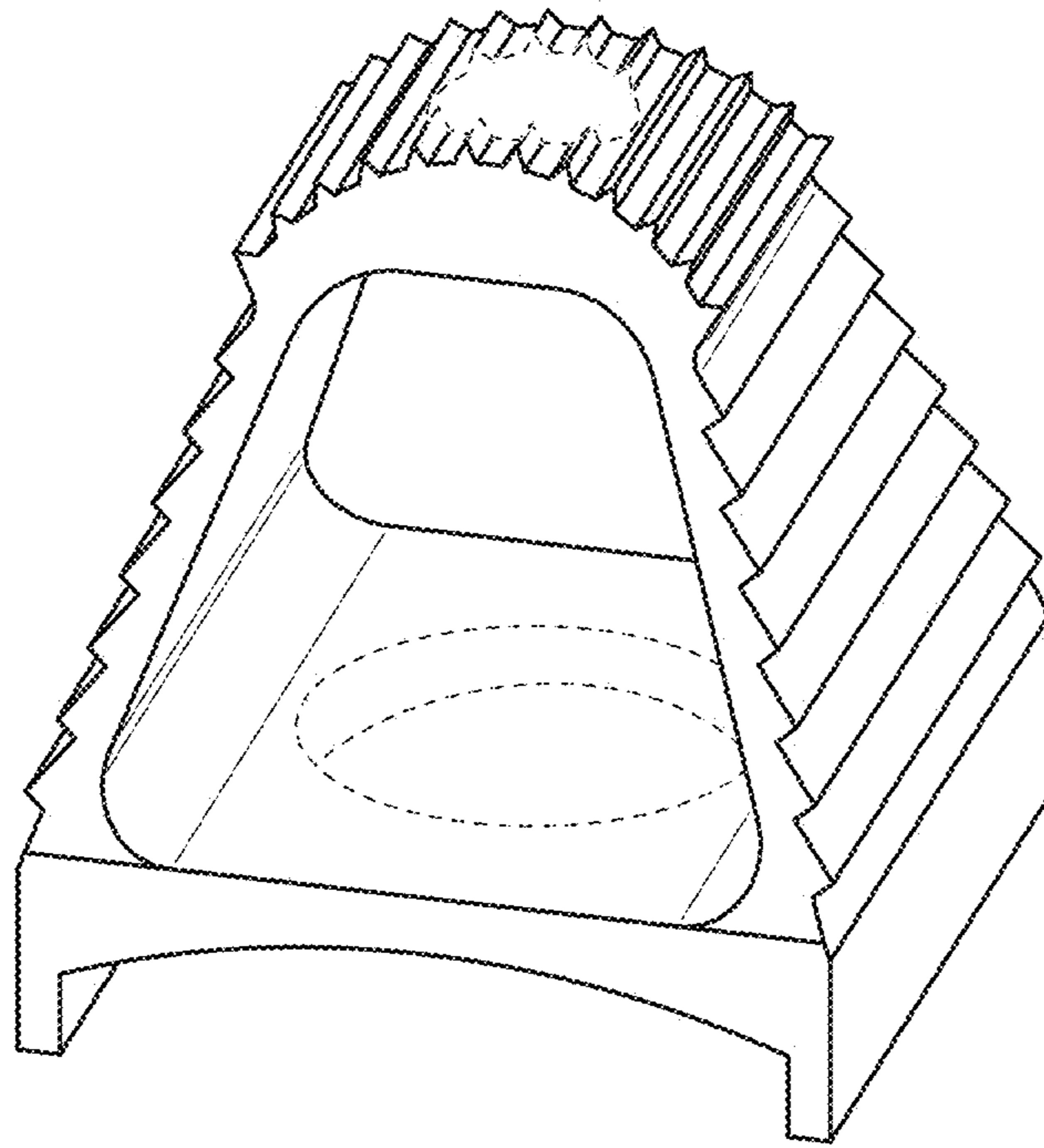


FIG. 1

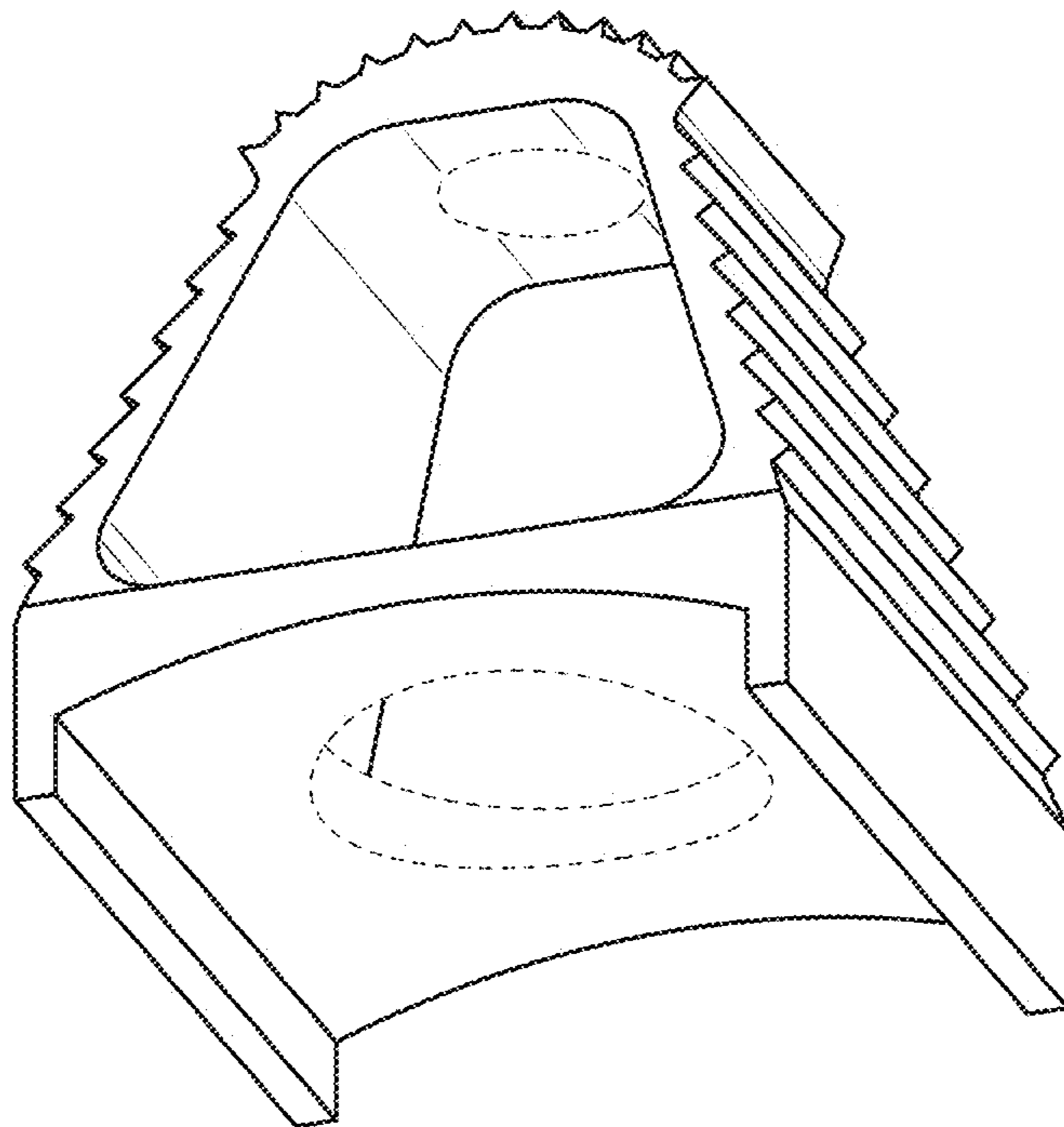


FIG. 2

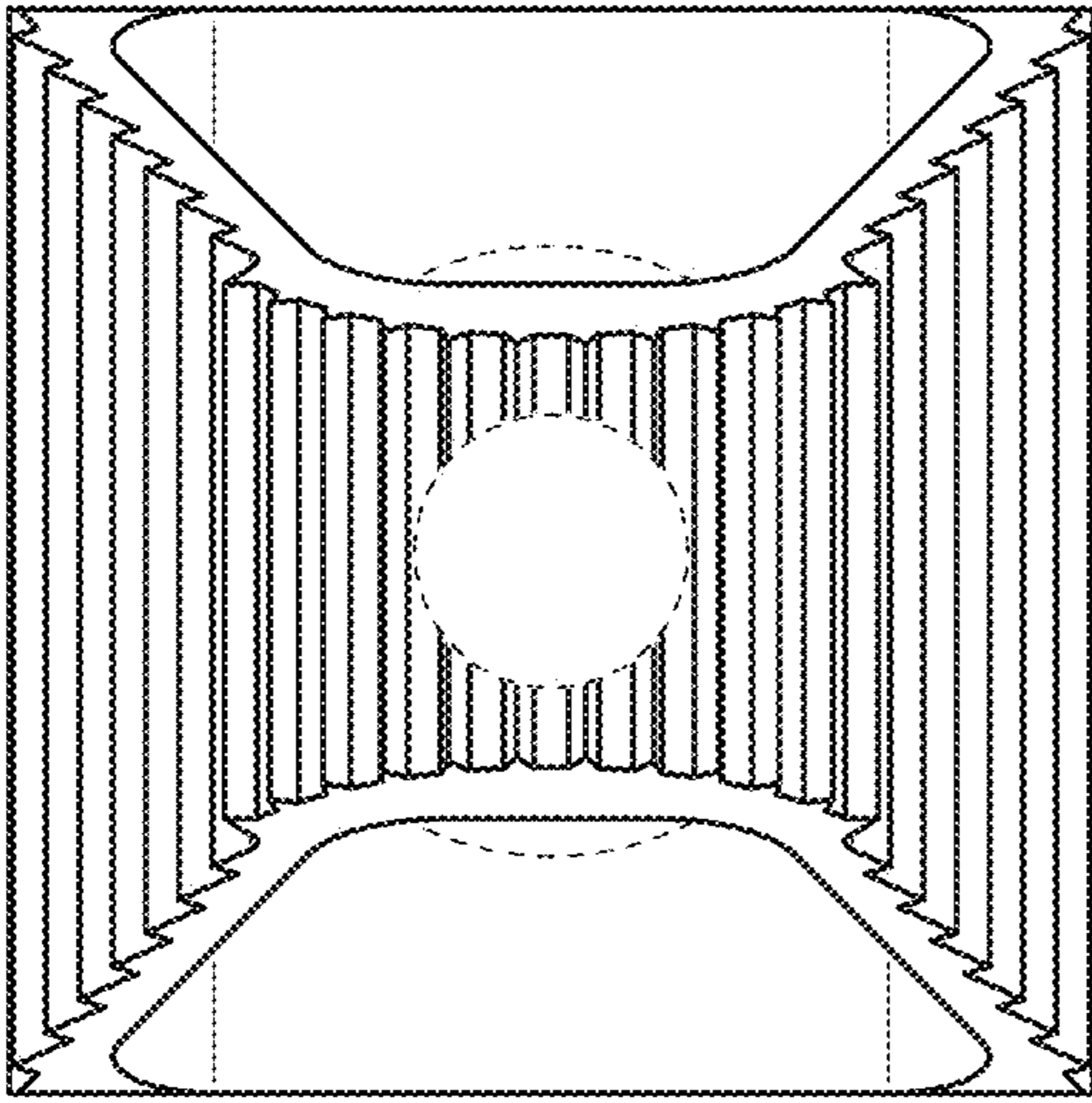


FIG. 5

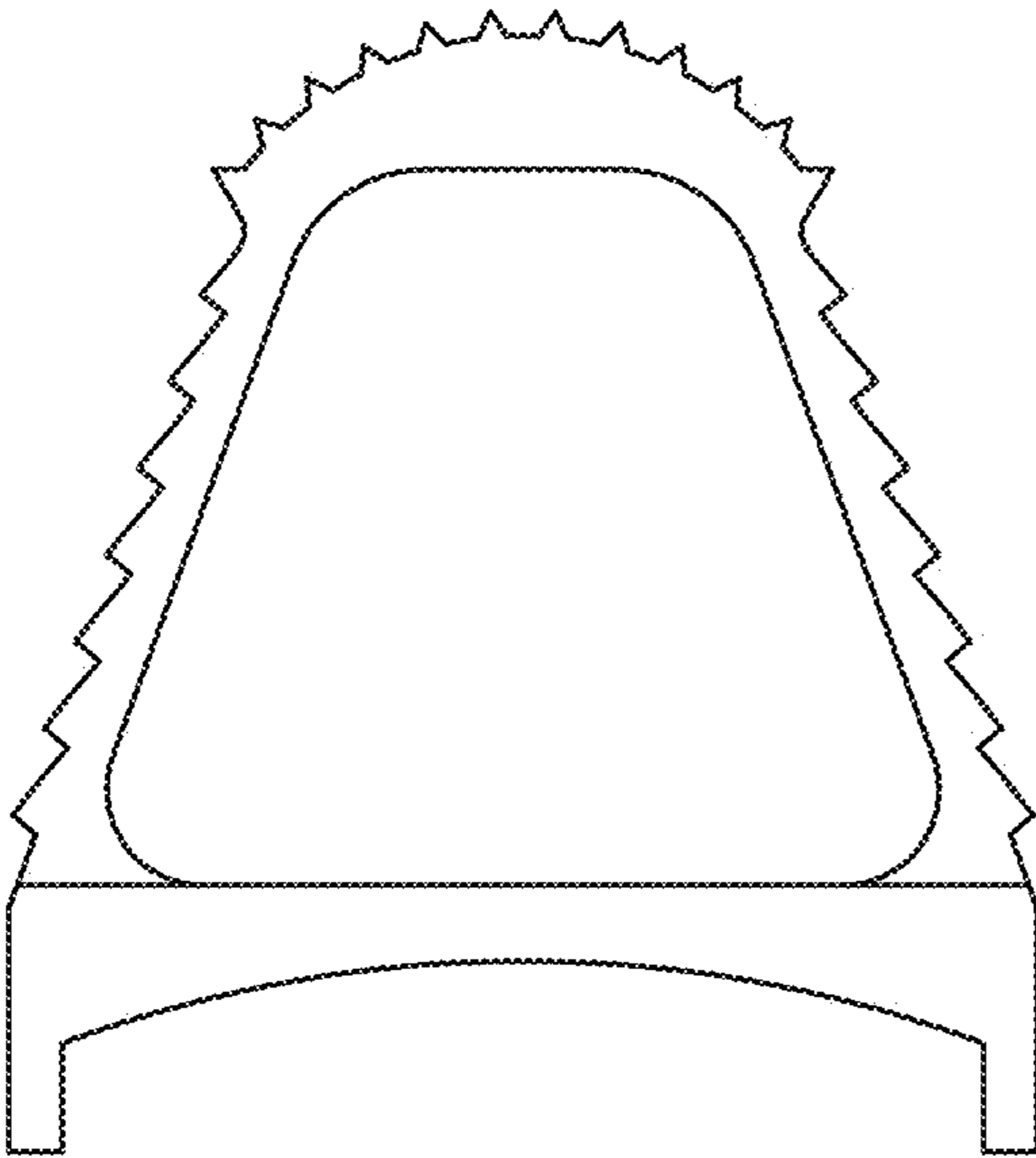


FIG. 3

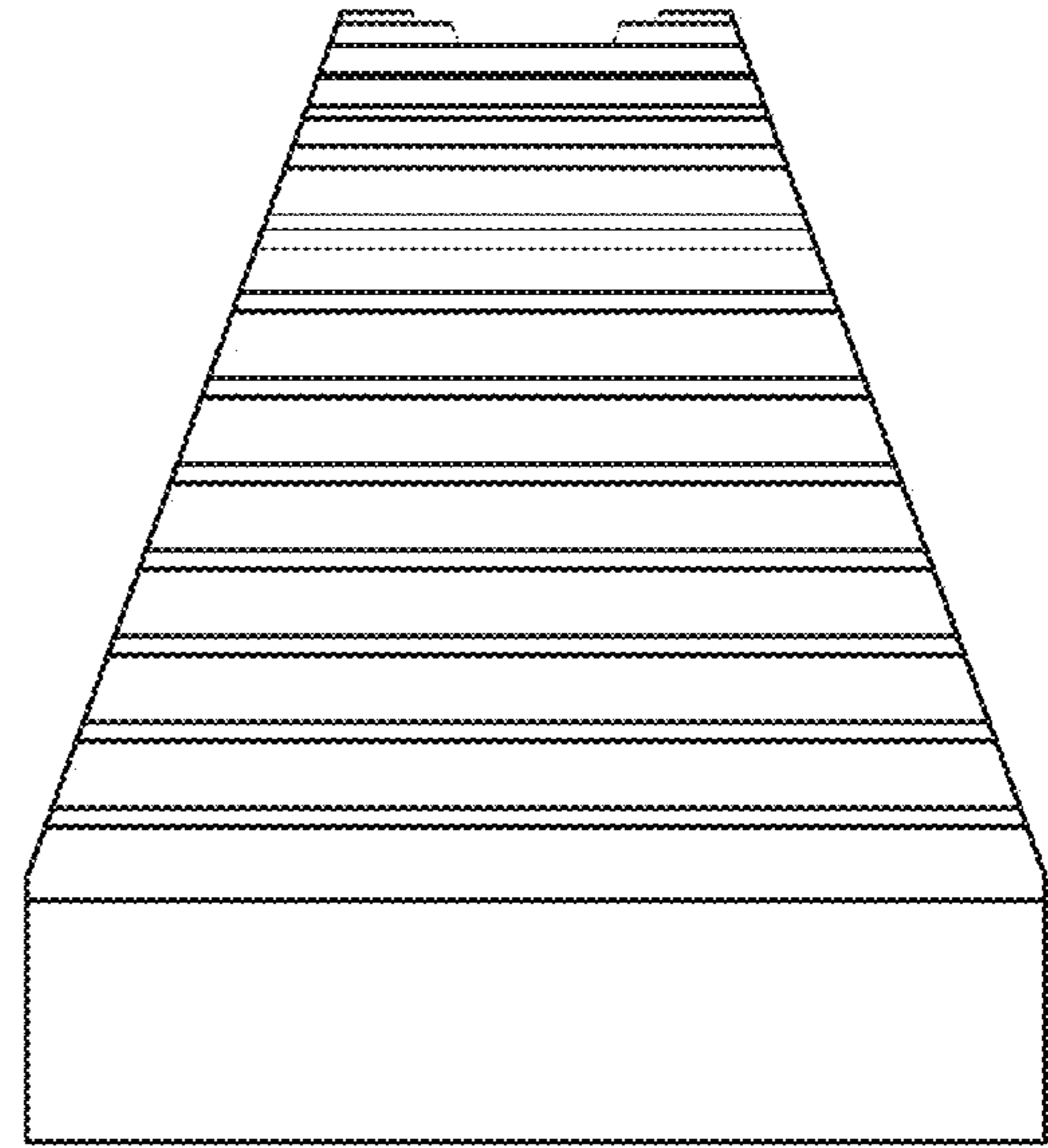


FIG. 4

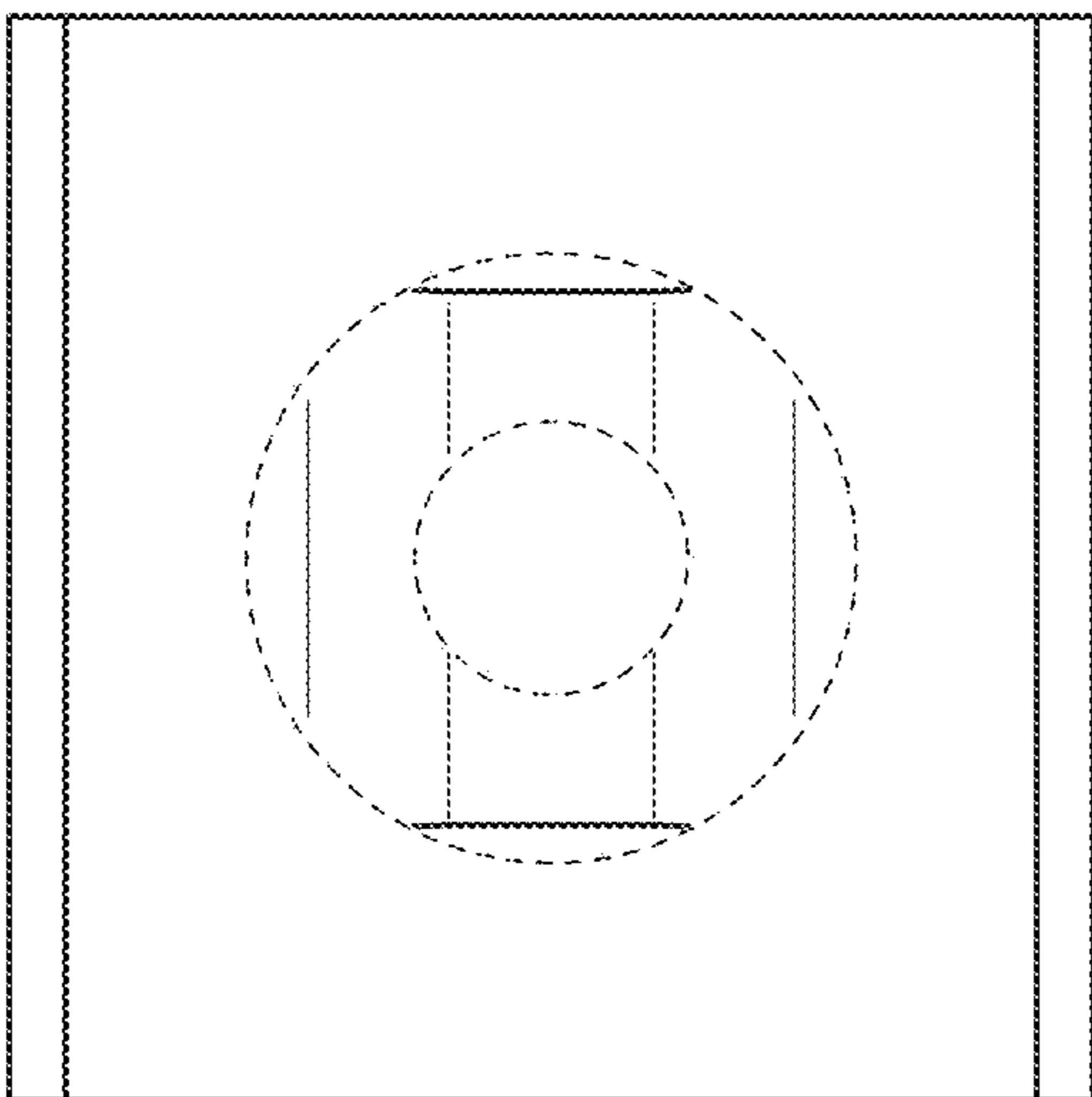


FIG. 6

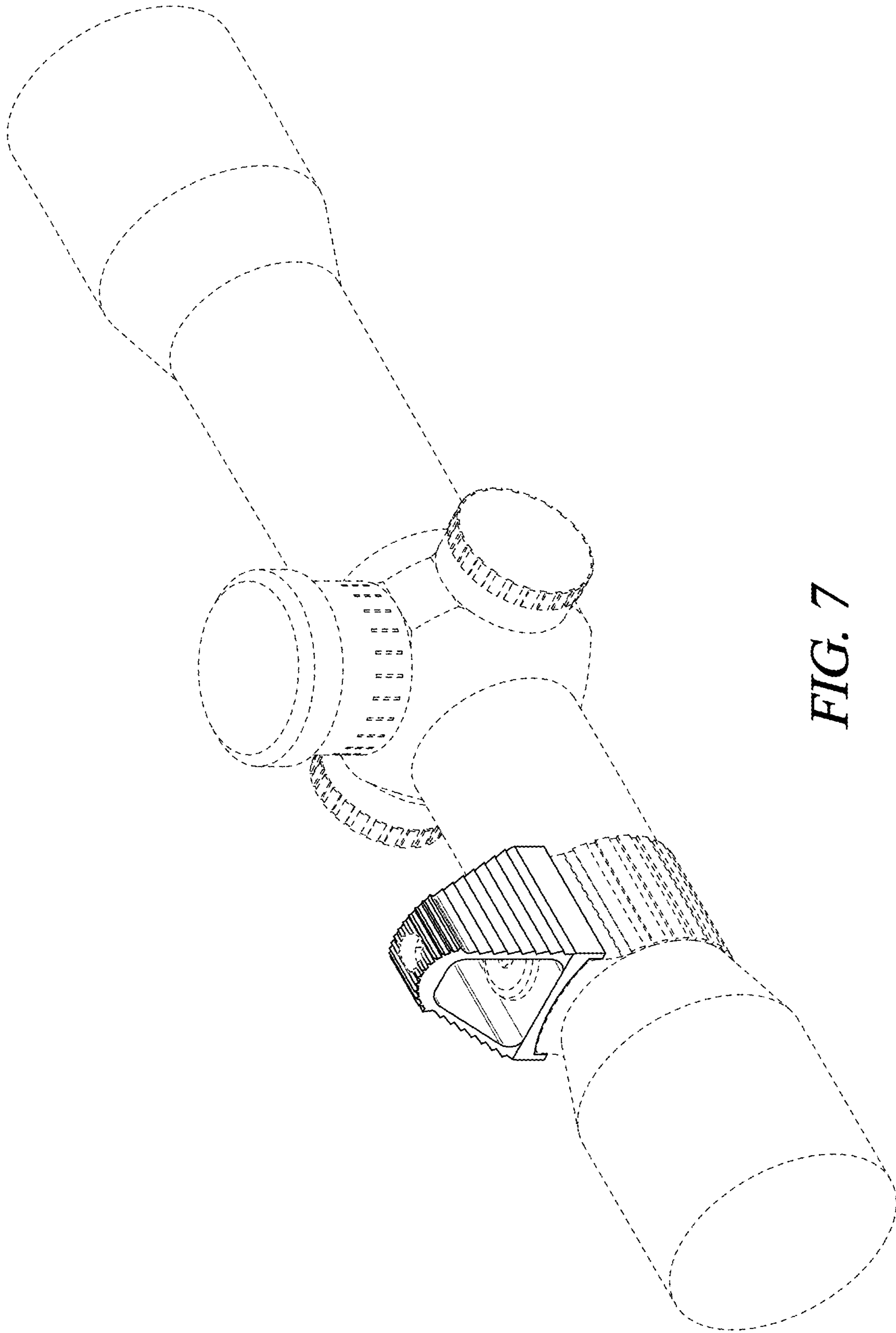


FIG. 7