



US00D907159S

(12) **United States Design Patent** (10) **Patent No.:** **US D907,159 S**
Pobutkiewicz (45) **Date of Patent:** **** Jan. 5, 2021**

- (54) **ADJUSTABLE RIFLE BAG RIDER WITH RAIL MOUNT**
- (71) Applicant: **David Pobutkiewicz**, Warwick, NY (US)
- (72) Inventor: **David Pobutkiewicz**, Warwick, NY (US)
- (**) Term: **15 Years**
- (21) Appl. No.: **29/718,007**
- (22) Filed: **Dec. 20, 2019**
- (51) **LOC (13) Cl.** **22-01**
- (52) **U.S. Cl.**
USPC **D22/108**
- (58) **Field of Classification Search**
USPC D8/349, 354, 364, 382, 394, 395;
D14/432-461; D22/108, 110, 111
CPC G06F 1/1616; G06F 1/1626; G06F 1/1632;
H01M 10/44; F16M 11/10; H02J 7/0042;
H02J 7/00; H02J 7/0027; H02J 7/0044;
H02J 7/0045; H02J 7/355; H01R 31/065
See application file for complete search history.

(56) **References Cited**

U.S. PATENT DOCUMENTS

- D272,857 S * 2/1984 Leach D25/68
D391,937 S * 3/1998 Rosen D14/452
D454,479 S * 3/2002 Kolpin D8/349

- D491,451 S * 6/2004 Jien D8/382
D640,342 S * 6/2011 Fitzpatrick D22/108
D733,247 S * 6/2015 Lewis D22/108
D748,216 S * 1/2016 Zusman D22/108
D766,075 S * 9/2016 Milbank D8/394
D767,983 S * 10/2016 Jiang D8/394
D779,308 S * 2/2017 West D8/349
D803,664 S * 11/2017 West D8/349
D817,741 S * 5/2018 West D8/349
D860,628 S * 9/2019 Hu D3/10
D861,465 S * 10/2019 Haider D8/354
D874,381 S * 2/2020 Harrah D12/223

* cited by examiner

Primary Examiner — Mark A Goodwin

Assistant Examiner — Benjamin M Weeks

(74) *Attorney, Agent, or Firm* — Scott H. Kaliko, Esq.;
Kaliko & Associates, LLC

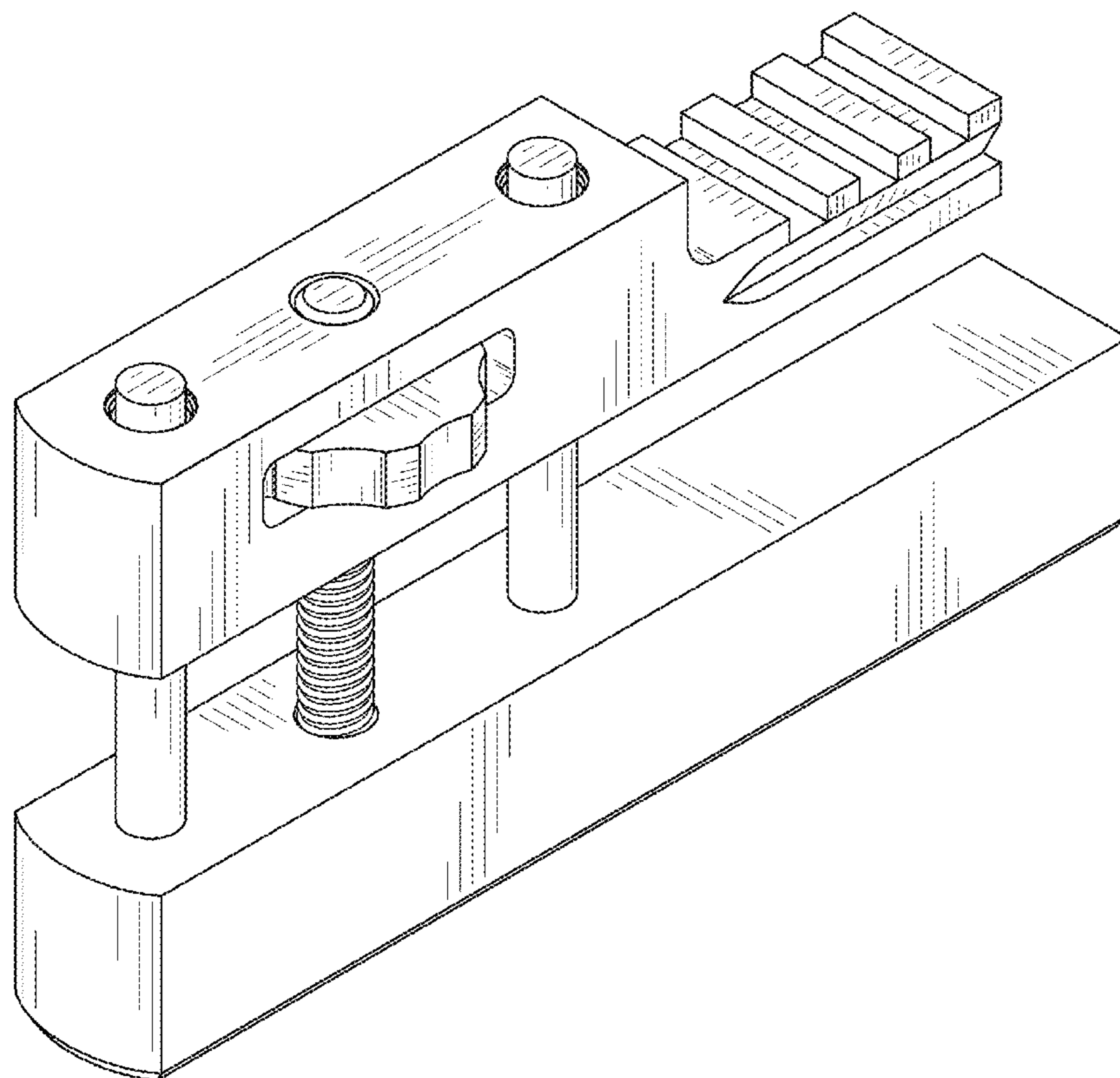
(57) **CLAIM**

I claim the ornamental design for an adjustable rifle bag rider with rail mount, as shown and described.

DESCRIPTION

FIG. 1 is a PERSPECTIVE view of a design for the adjustable rifle bag rider with rail mount;
FIG. 2 is a SIDE view thereof;
FIG. 3 is a SIDE view thereof;
FIG. 4 is a FRONT view of thereof;
FIG. 5 is a BACK view thereof;
FIG. 6 is a TOP view thereof; and,
FIG. 7 is a BOTTOM view thereof.

1 Claim, 7 Drawing Sheets



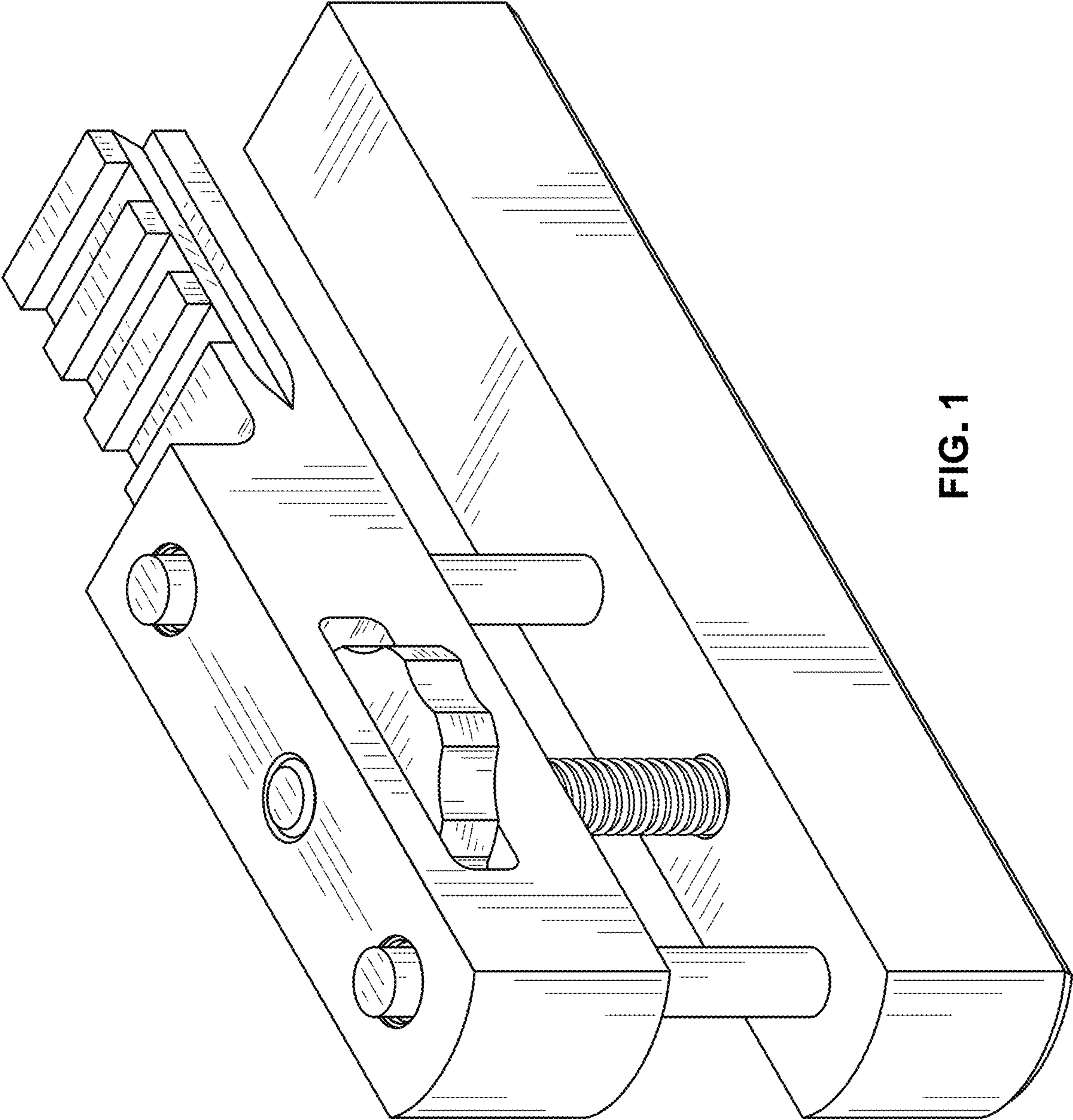


FIG. 1

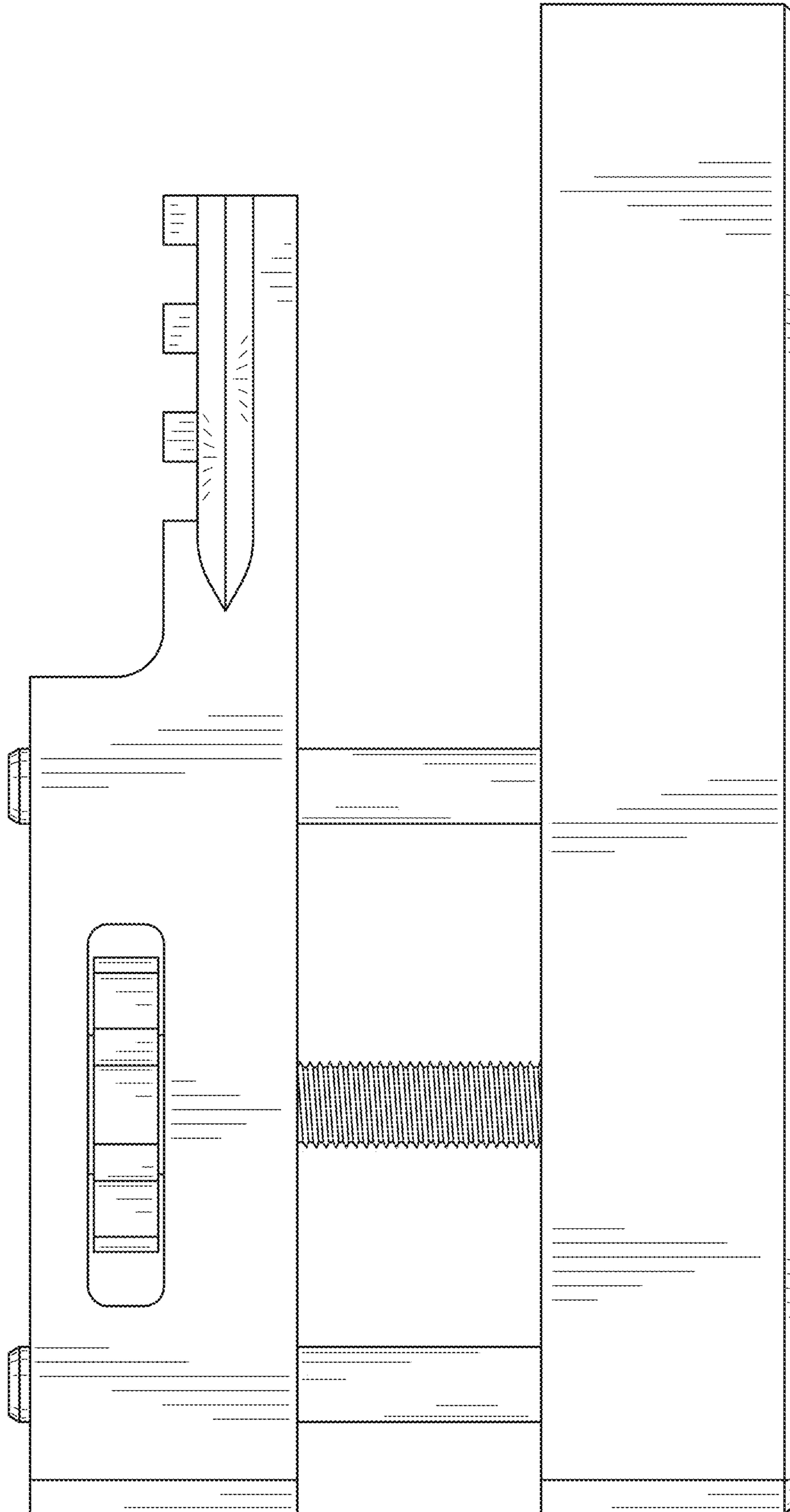


FIG. 2

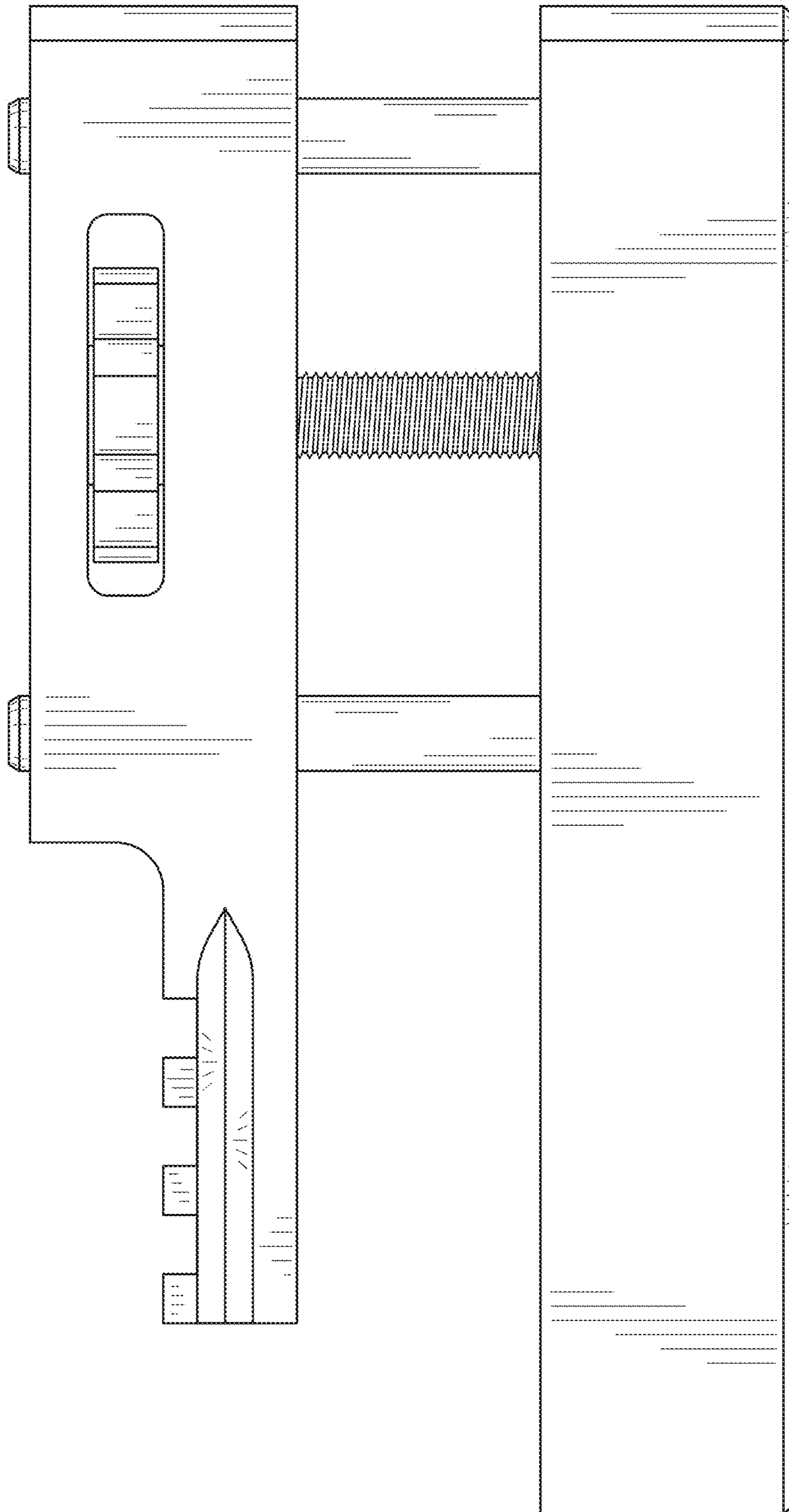


FIG. 3

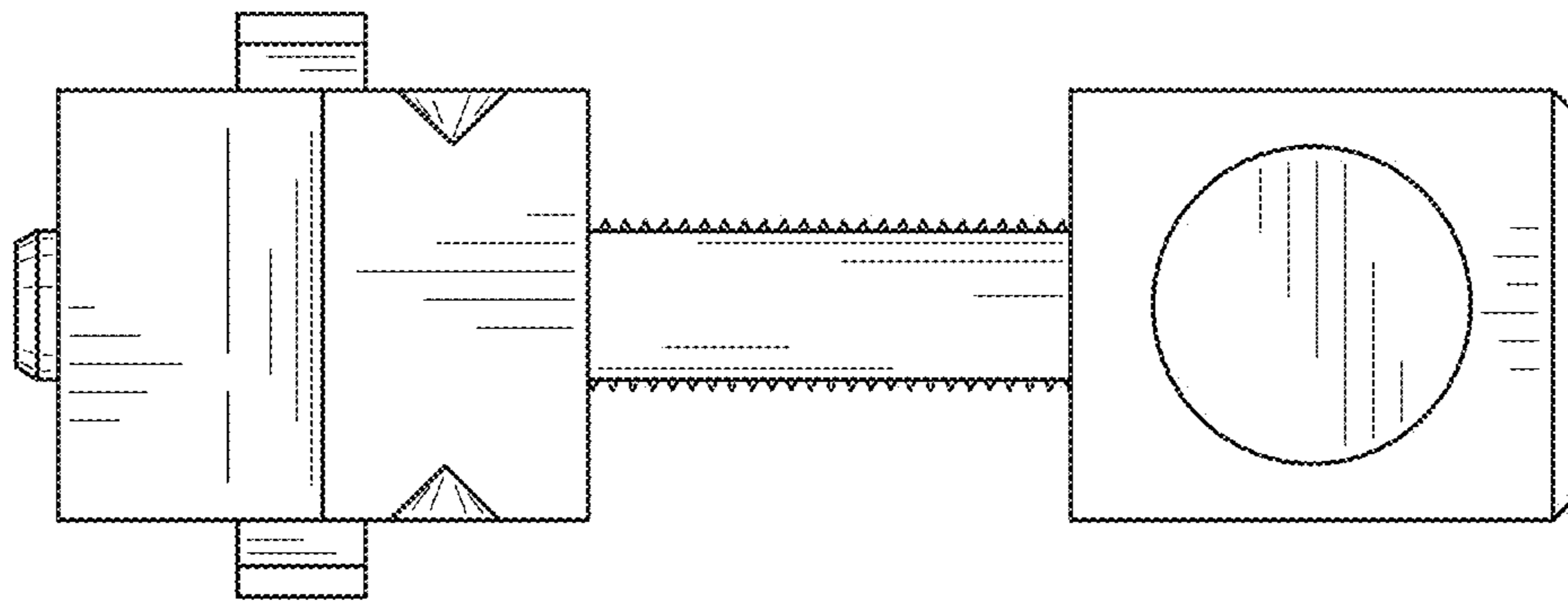


FIG. 4

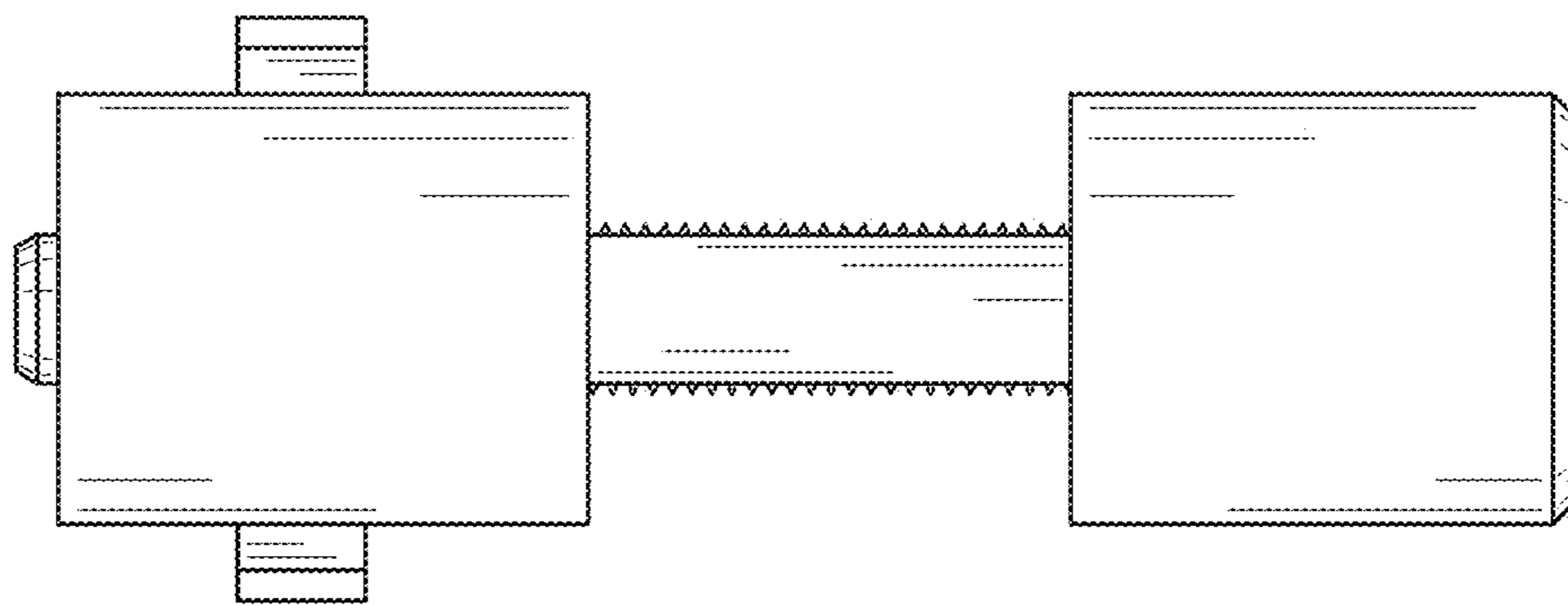


FIG. 5

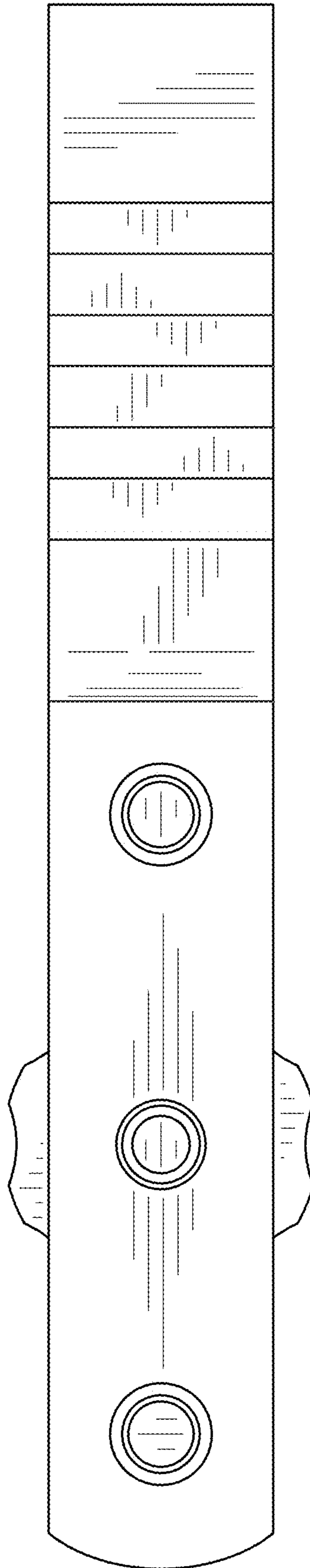


FIG. 6

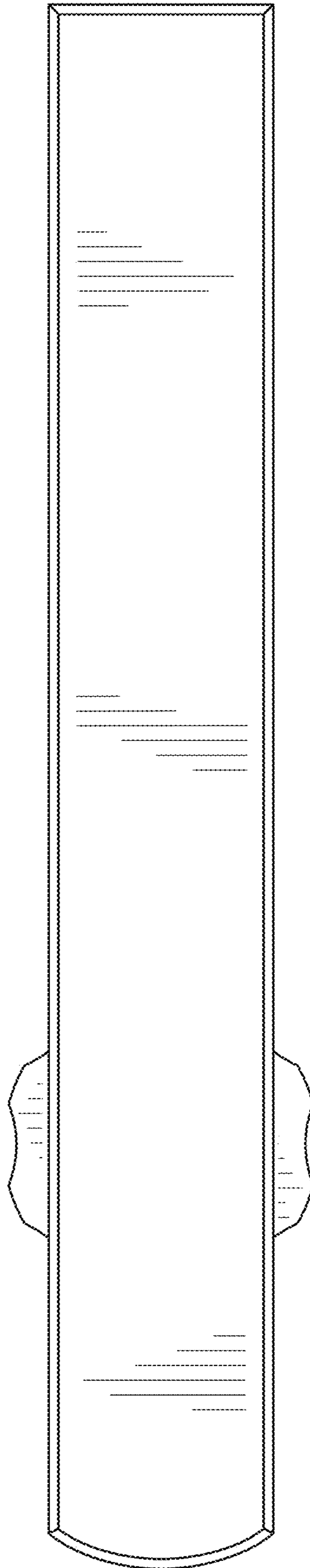


FIG. 7