



US00D907158S

(12) **United States Design Patent** (10) **Patent No.:** **US D907,158 S**
Bender (45) **Date of Patent:** **** Jan. 5, 2021**

- (54) **SAFETY SELECTOR LEVER**
- (71) Applicant: **In Ovation LLC**, Vadnais Heights, MN (US)
- (72) Inventor: **Terrence Dwight Bender**, Minneapolis, MN (US)
- (73) Assignee: **In Ovation, LLC**, Vadnais Heights, MN (US)
- (**) Term: **15 Years**
- (21) Appl. No.: **29/701,195**
- (22) Filed: **Aug. 8, 2019**
- (51) **LOC (13) Cl.** **22-01**
- (52) **U.S. Cl.**
USPC **D22/108**
- (58) **Field of Classification Search**
USPC D22/108
CPC F41A 19/46; F41A 17/00
See application file for complete search history.

(56) **References Cited**

U.S. PATENT DOCUMENTS

5,251,533	A *	10/1993	Layton	F41A 19/33
					89/129.02
D639,378	S *	6/2011	Burt	D22/108
8,047,119	B2 *	11/2011	Hochstrate	F41A 19/46
					89/142
D723,646	S *	3/2015	Keezer	D22/108
D786,649	S *	5/2017	Huang	D8/308
D855,735	S *	8/2019	Geissele	D22/108
D856,457	S *	8/2019	Montes	D22/108
D872,822	S *	1/2020	Geissele	D22/108
D888,870	S *	6/2020	Gerlings	D22/108
2007/0180984	A1 *	8/2007	Huther	F41A 19/46
					89/148

2013/0111796	A1 *	5/2013	Dionne	F41A 17/00
					42/70.11
2016/0091268	A1 *	3/2016	Miller, III	F41A 17/46
					42/70.06
2017/0176122	A1 *	6/2017	Underwood	F41A 11/00

* cited by examiner

Primary Examiner — Michael A. Pratt

(74) *Attorney, Agent, or Firm* — Vidas, Arrett & Steinkraus

(57) **CLAIM**

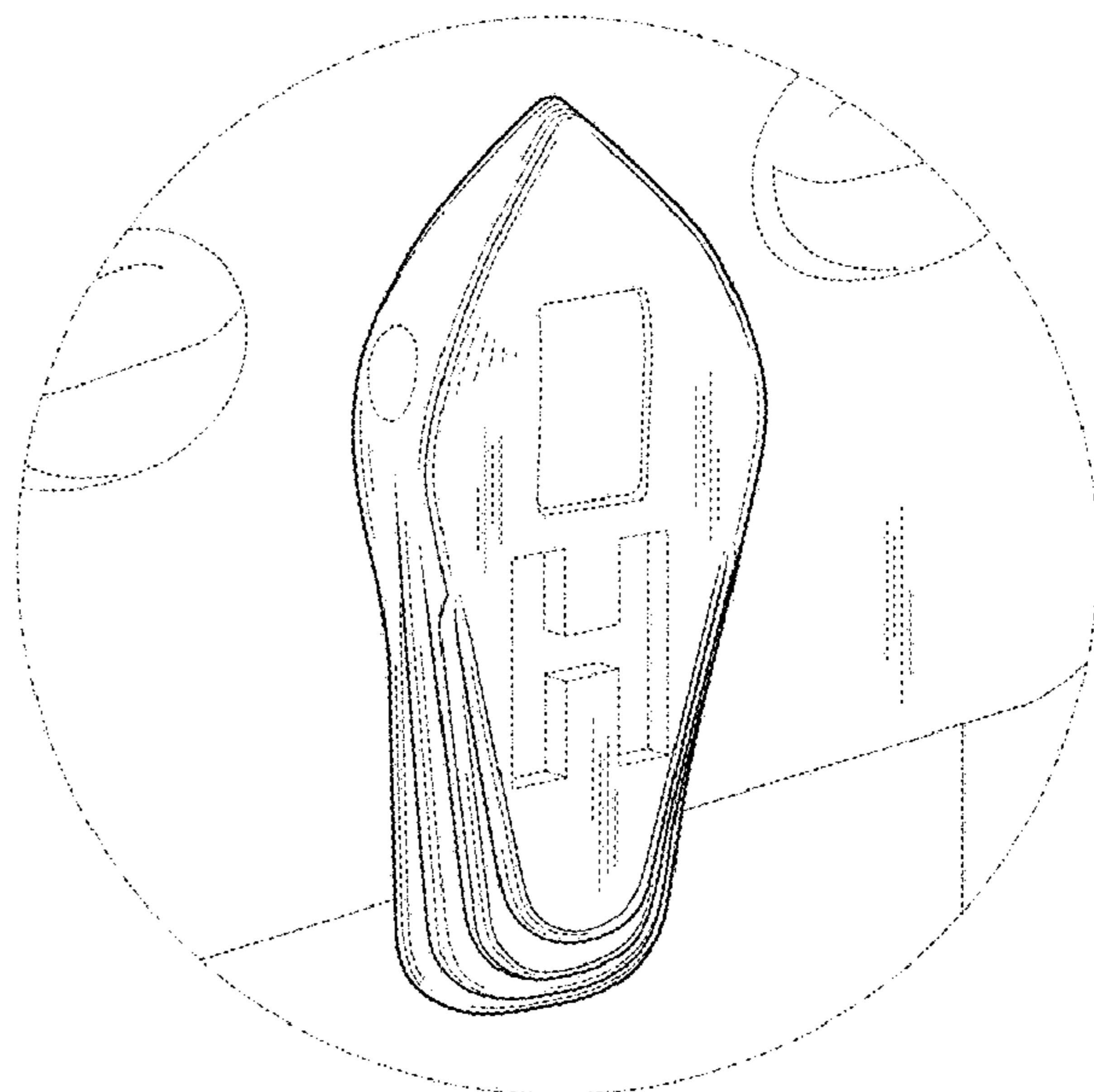
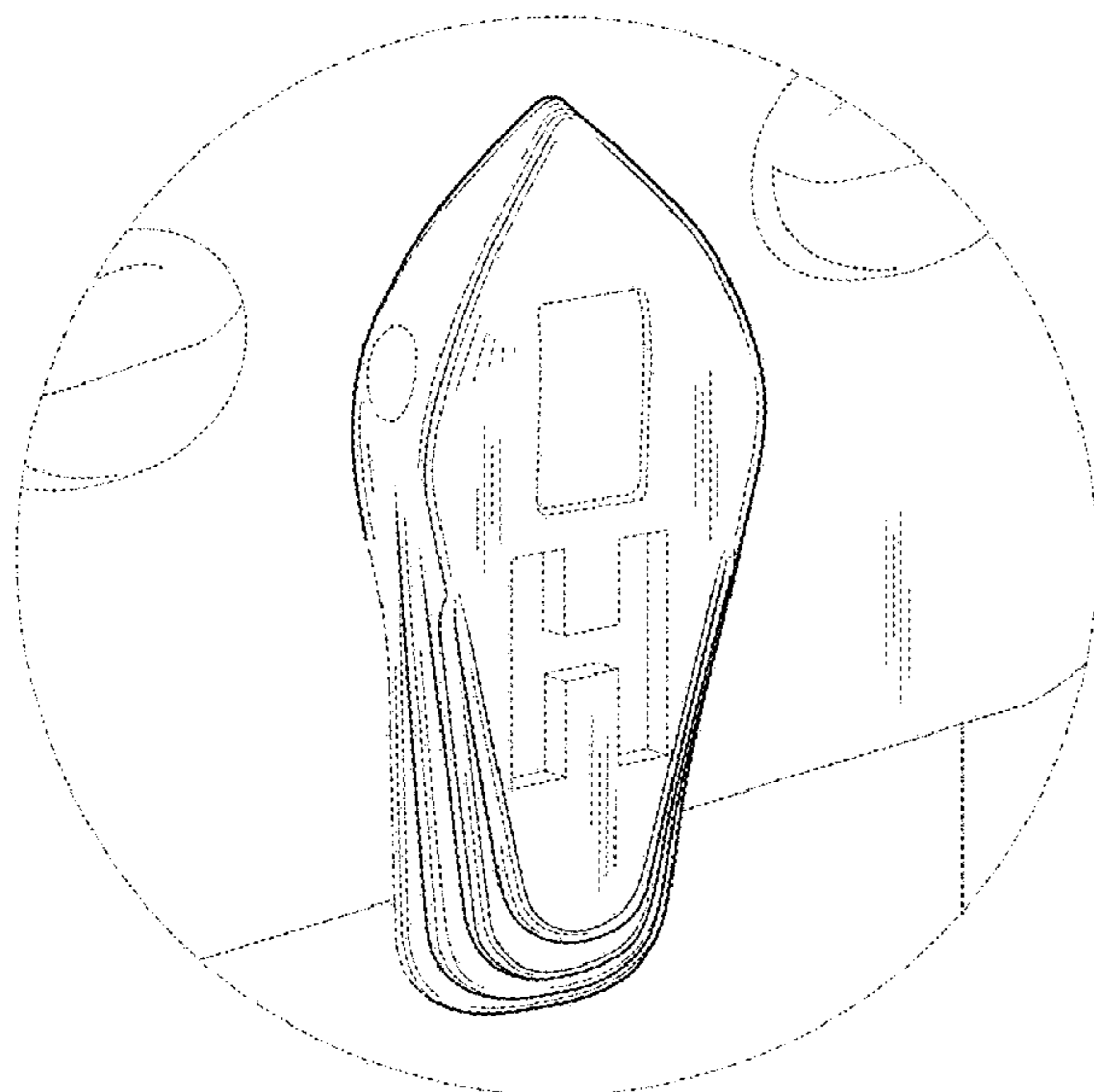
The ornamental design for a safety selector lever, as shown and described.

DESCRIPTION

FIG. 1 is a front-right angled view of a safety selector lever, showing the new design.
 FIG. 2 is another front-right angled view thereof.
 FIG. 3 is a front view thereof.
 FIG. 4 is a top view thereof.
 FIG. 5 is a bottom view thereof.
 FIG. 6 is a left-side view thereof.
 FIG. 7 is a right-side view thereof.
 FIG. 8 is a front-right angled view of a safety selector lever, showing another embodiment of a new design.
 FIG. 9 is another front-right angled view thereof.
 FIG. 10 is a front view thereof.
 FIG. 11 is a top view thereof.
 FIG. 12 is a bottom view thereof.
 FIG. 13 is a left-side view thereof; and,
 FIG. 14 is a right-side view thereof.

The broken lines in the Figures depict unclaimed portions of the device or unclaimed environmental structure and are for illustrative purposes only. The broken lines form no part of the claimed design.

1 Claim, 6 Drawing Sheets



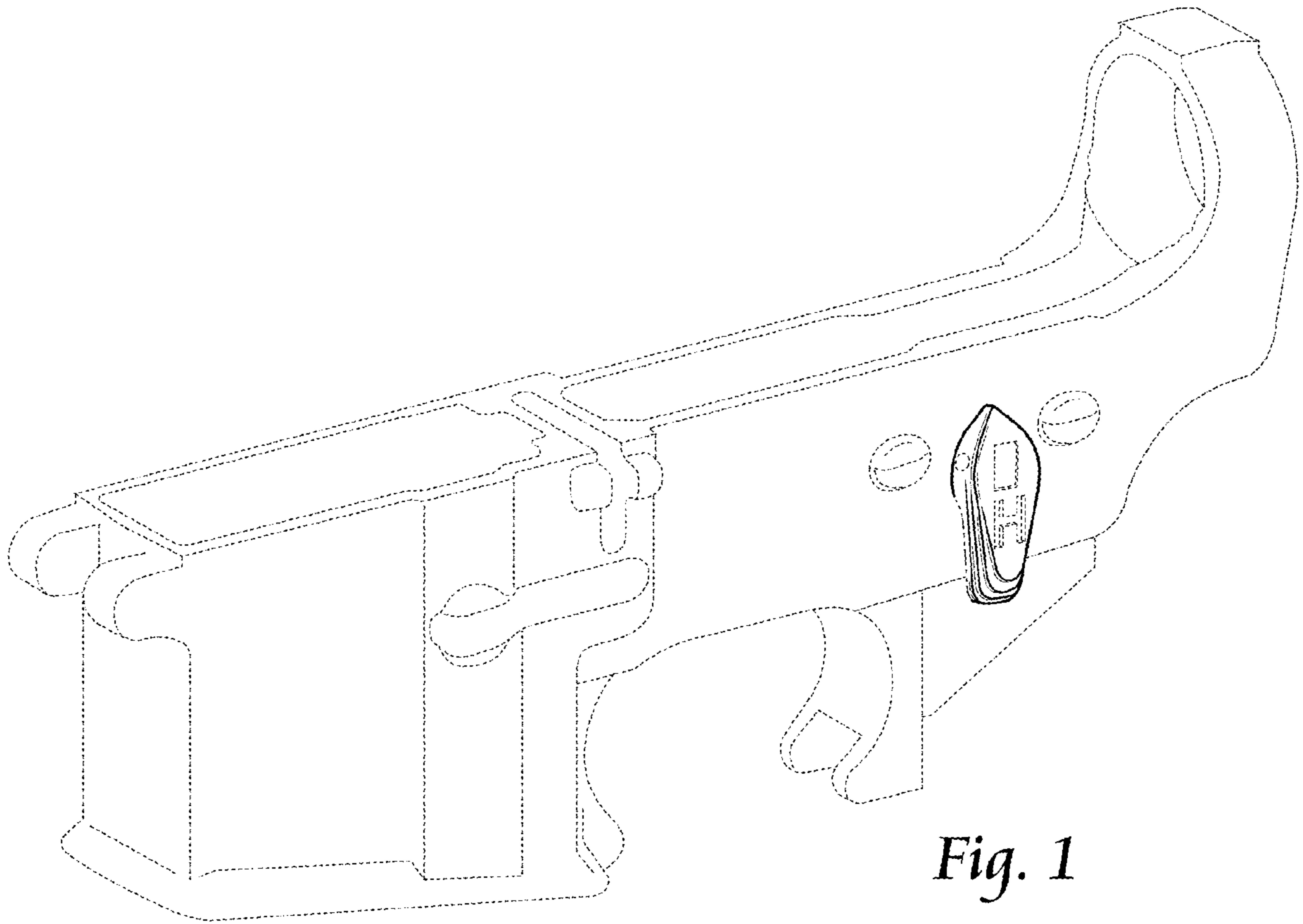


Fig. 1

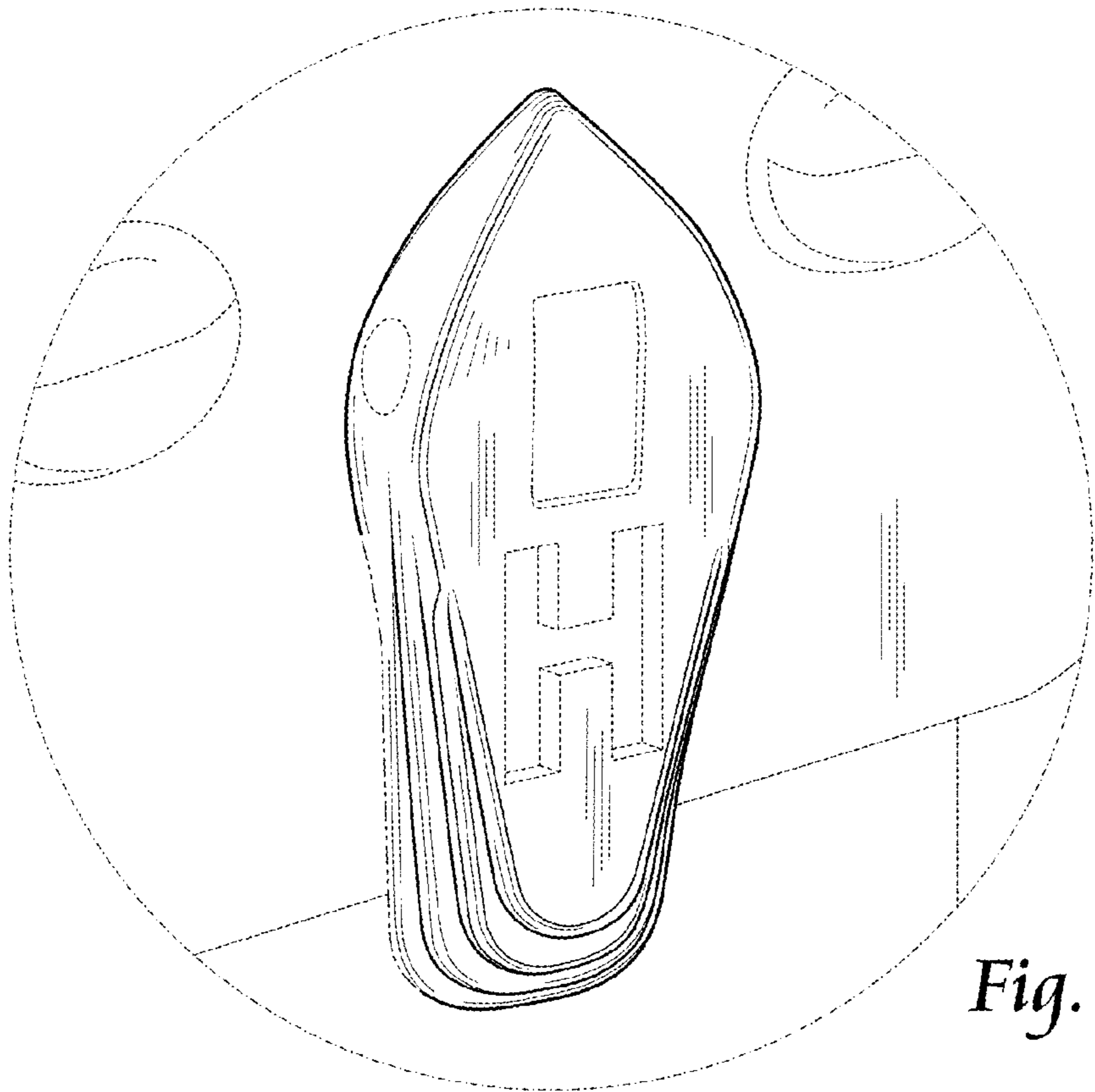


Fig. 2

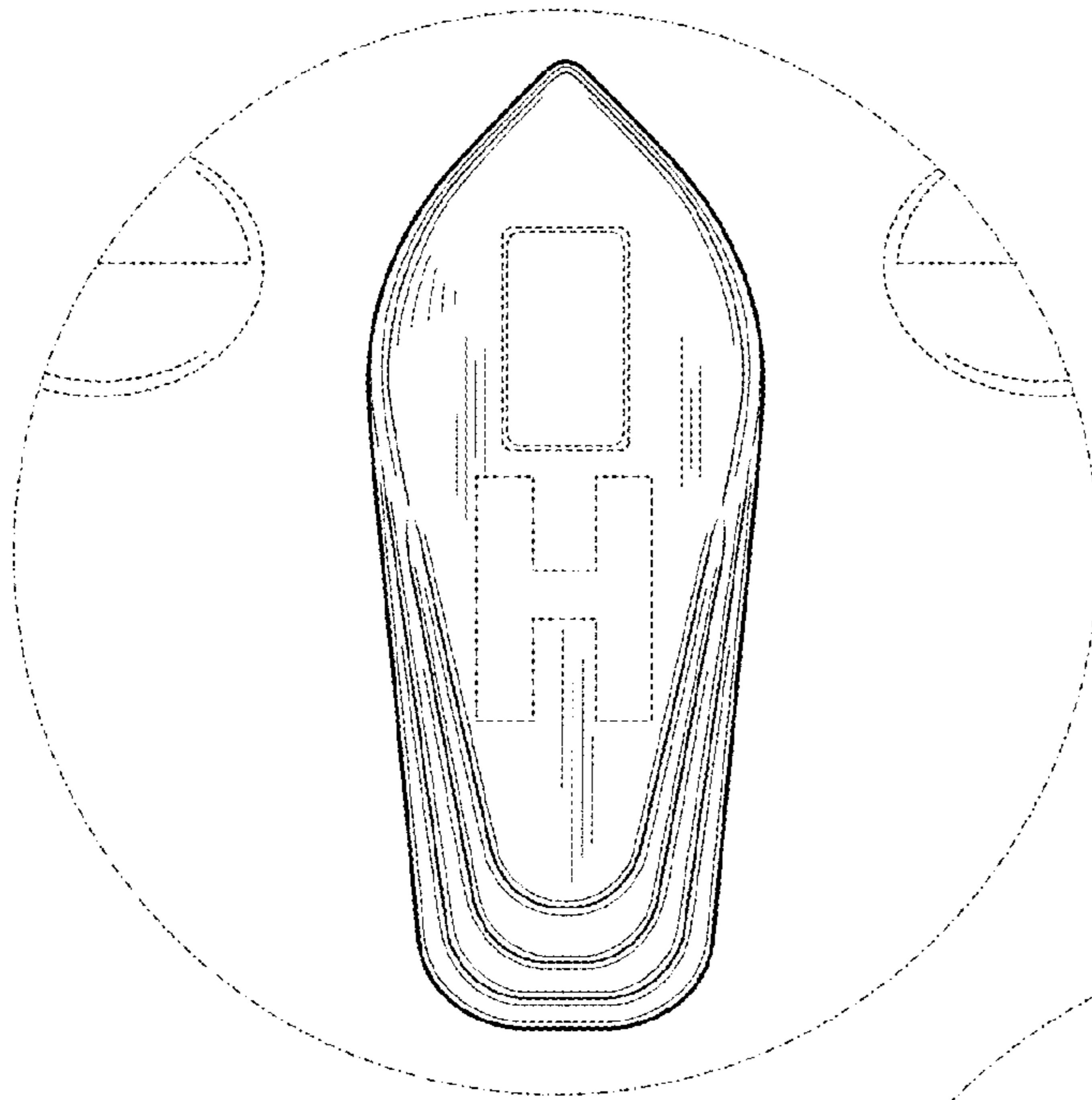


Fig. 3

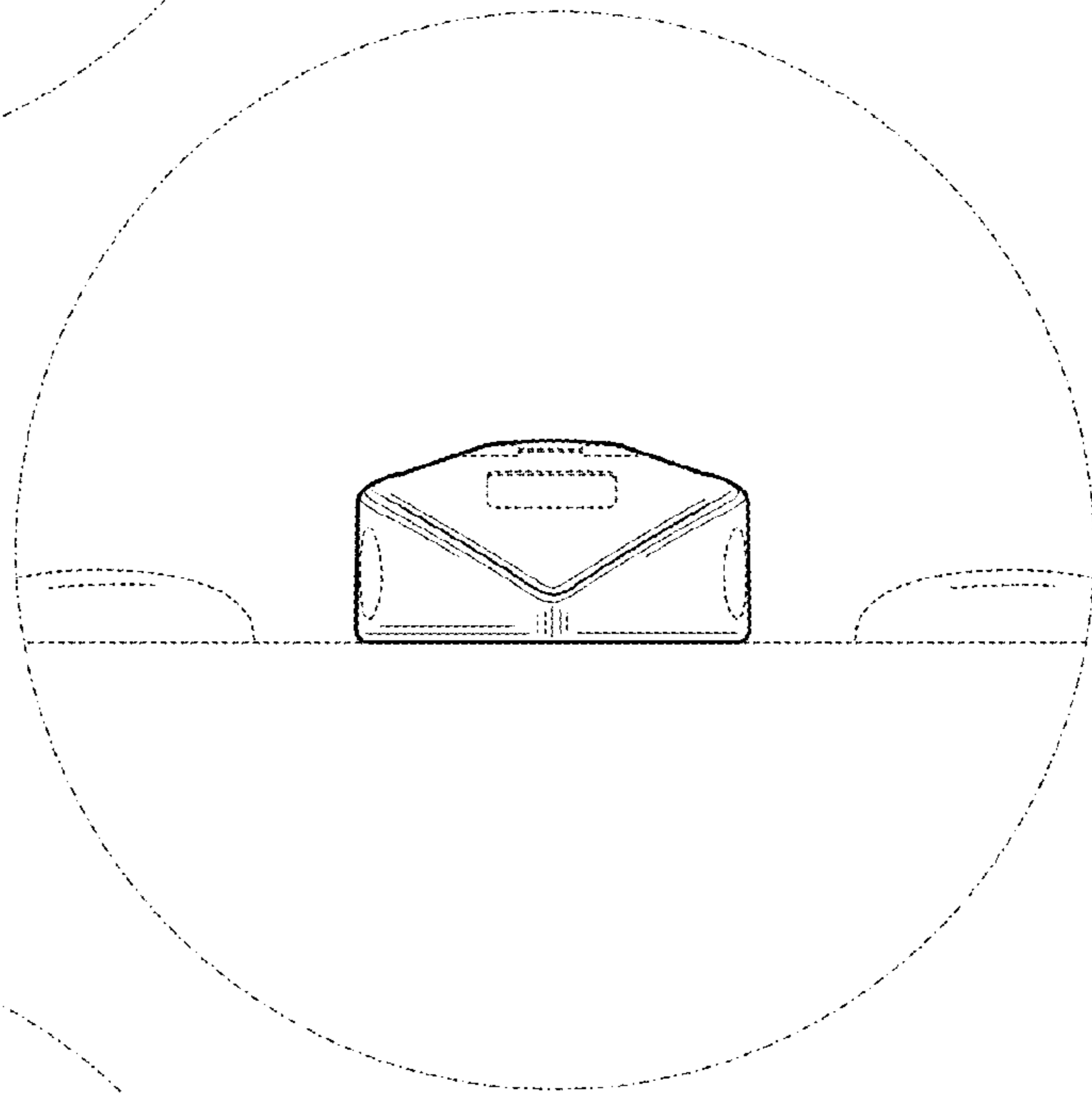


Fig. 4

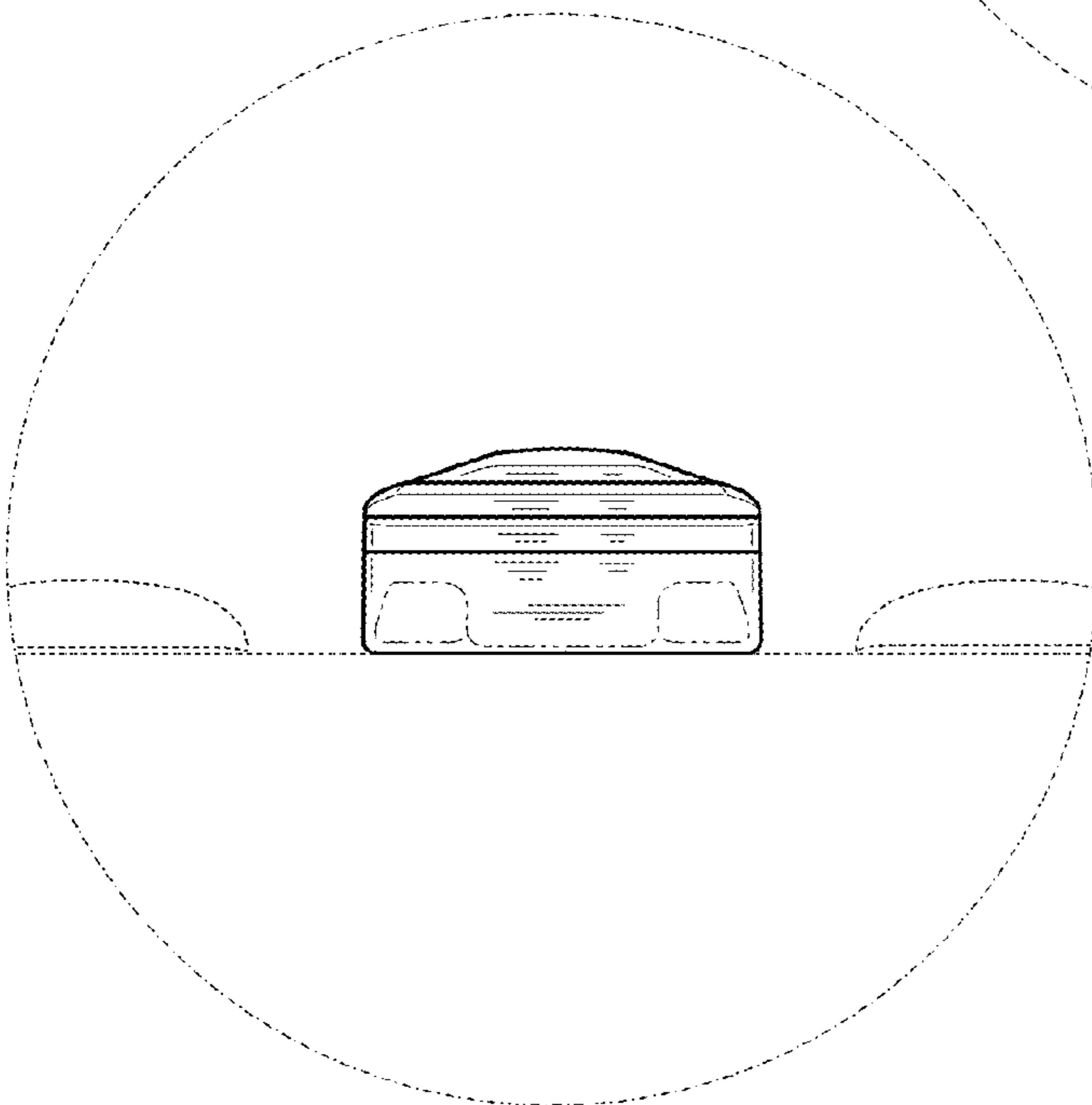


Fig. 5

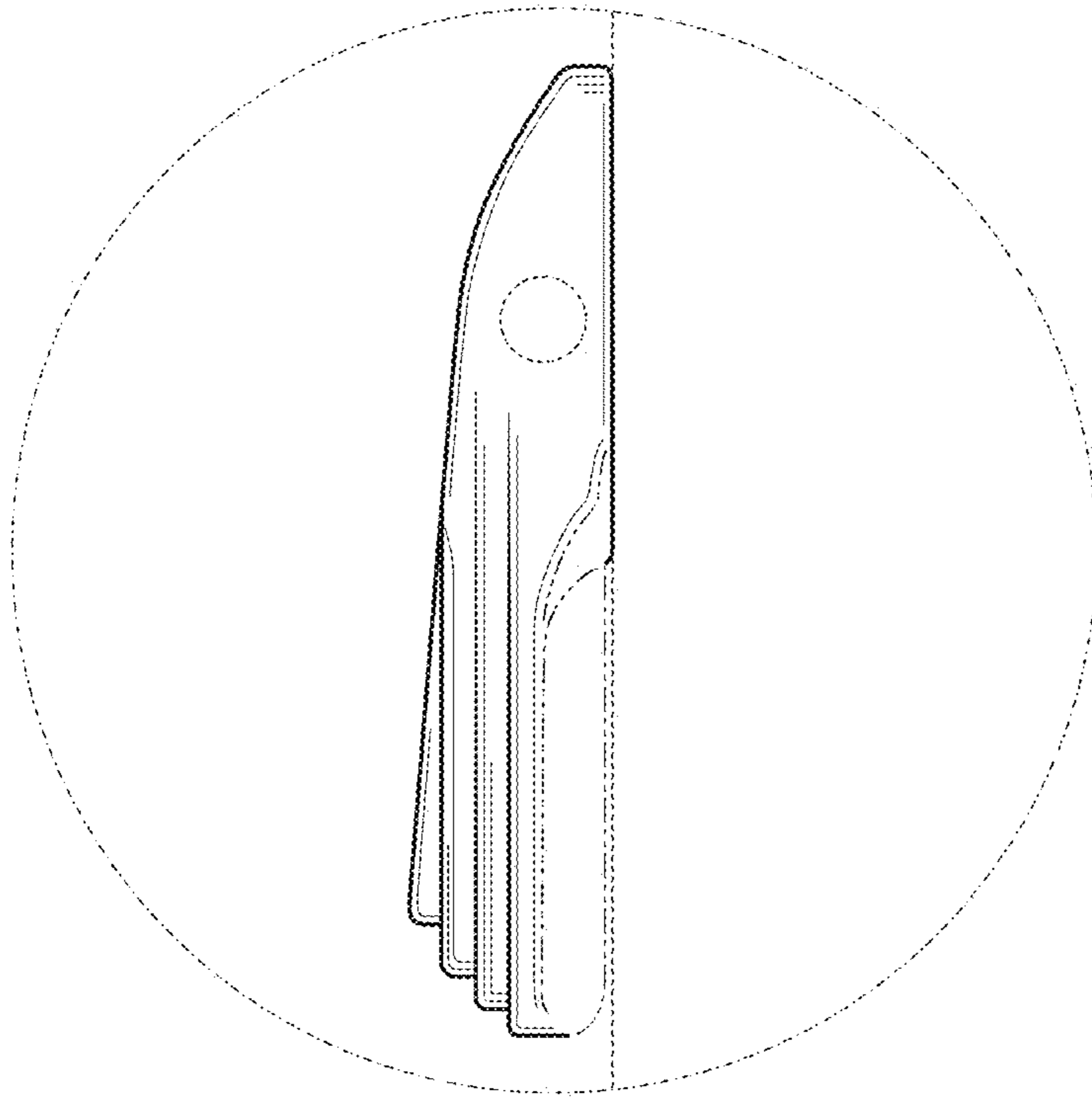


Fig. 6

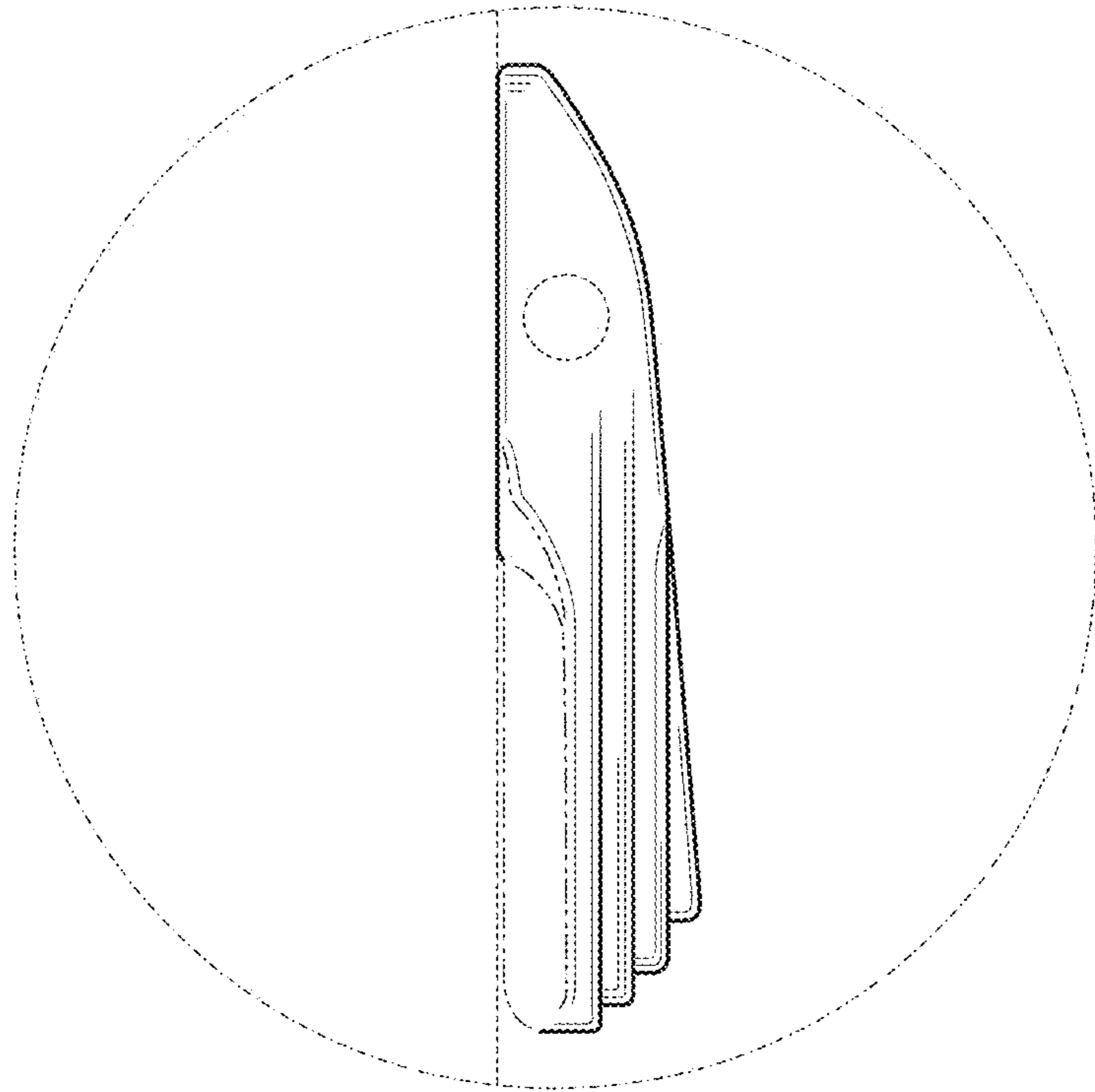


Fig. 7

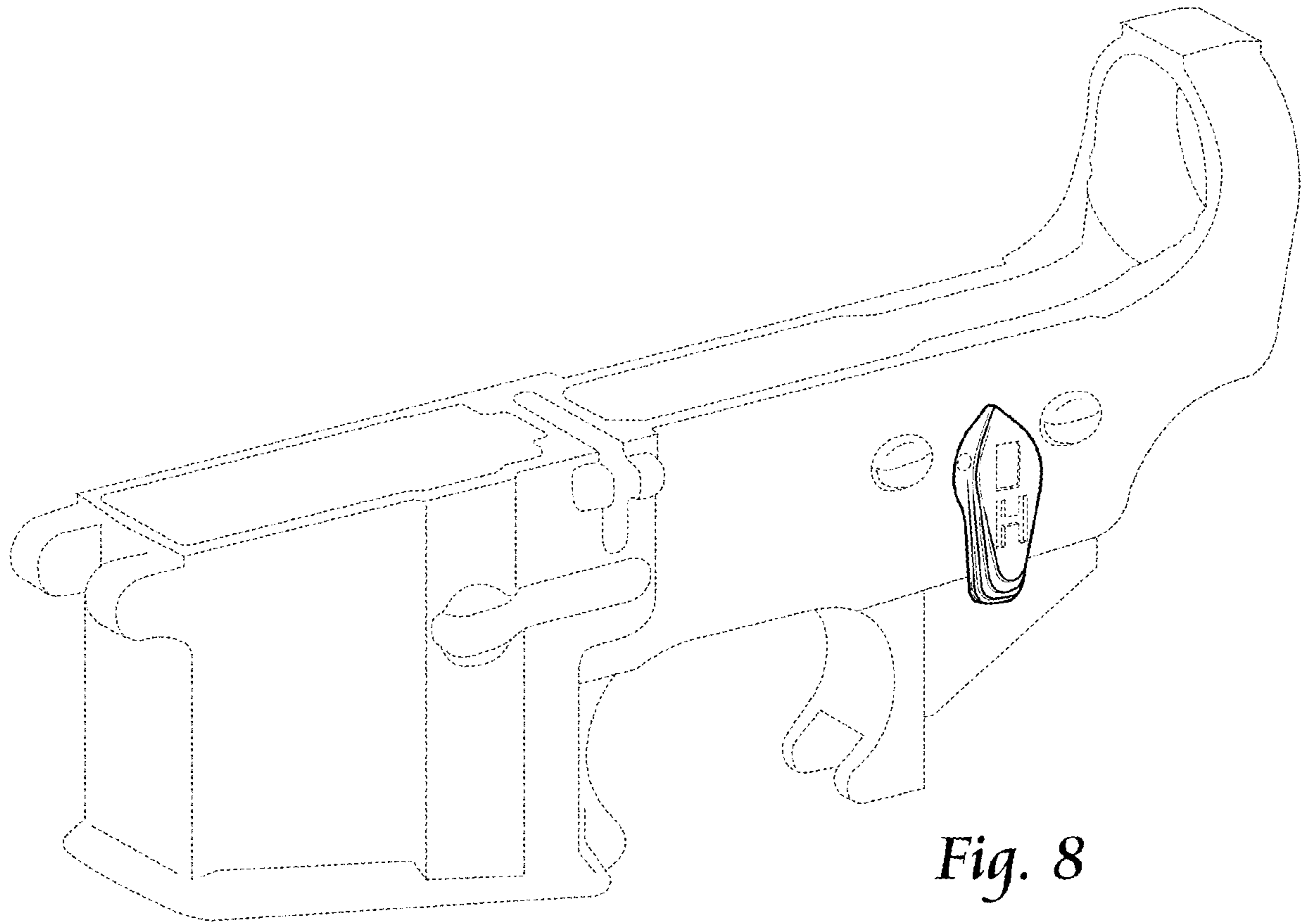


Fig. 8

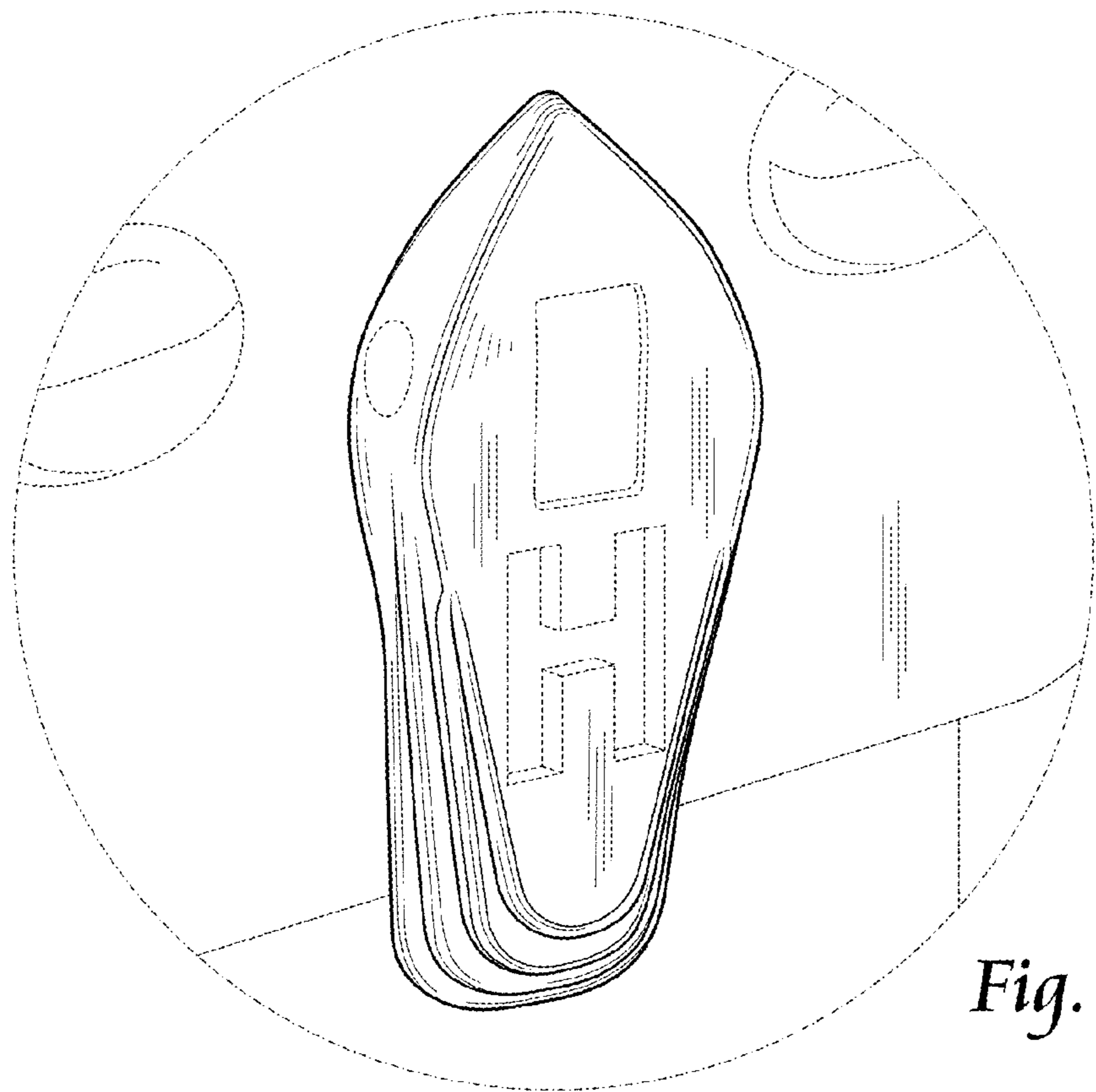


Fig. 9

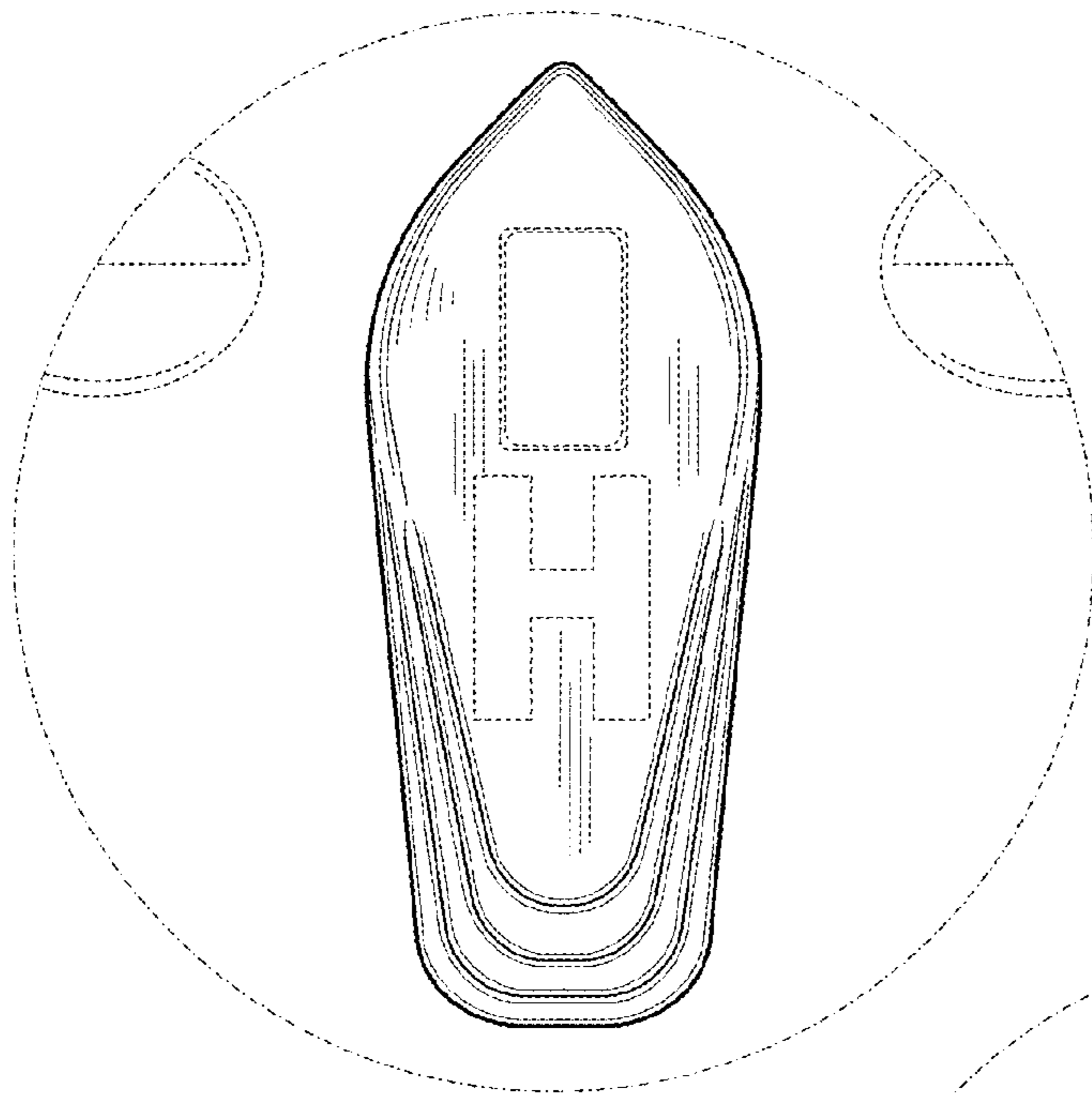


Fig. 10

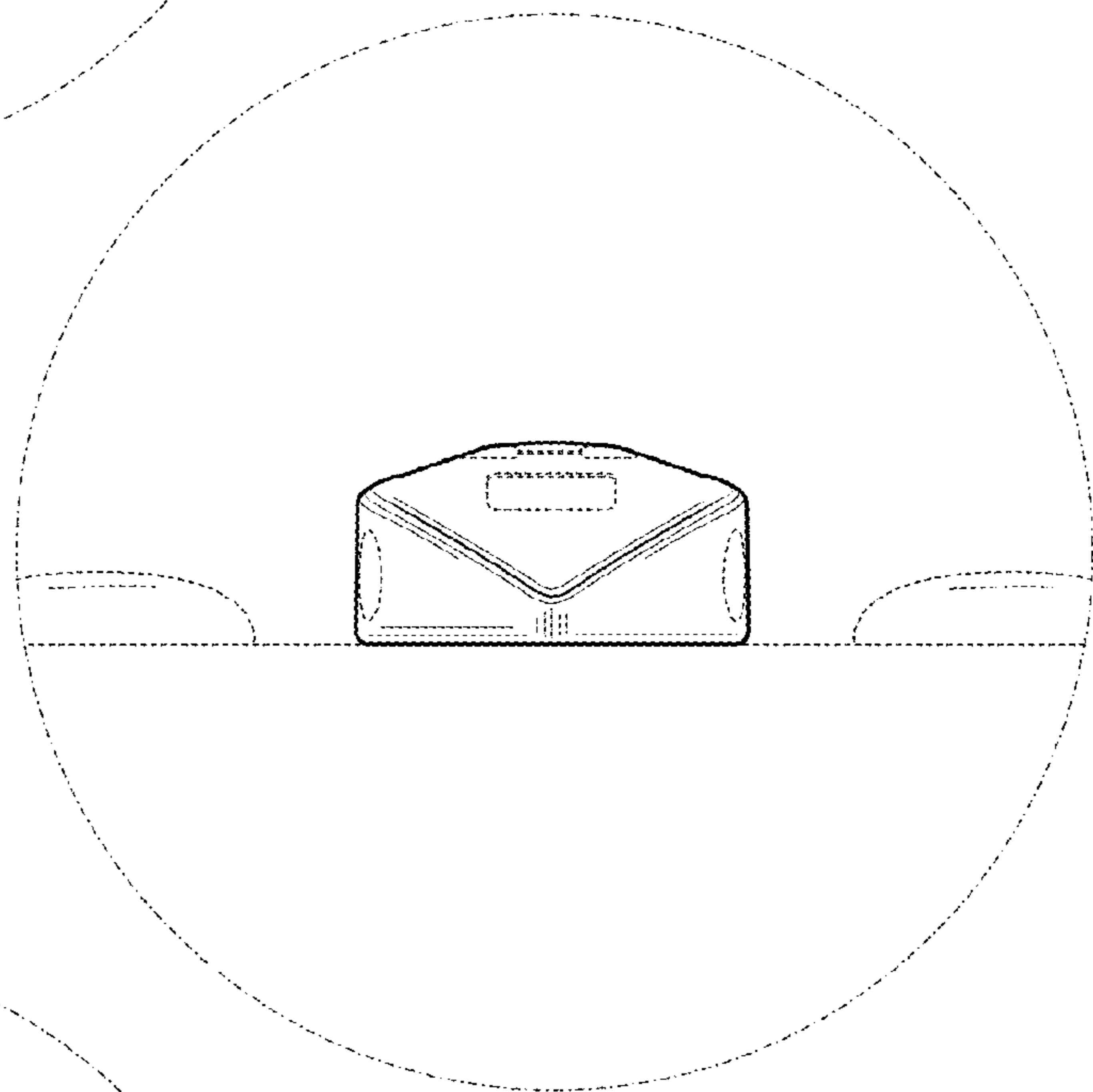


Fig. 11

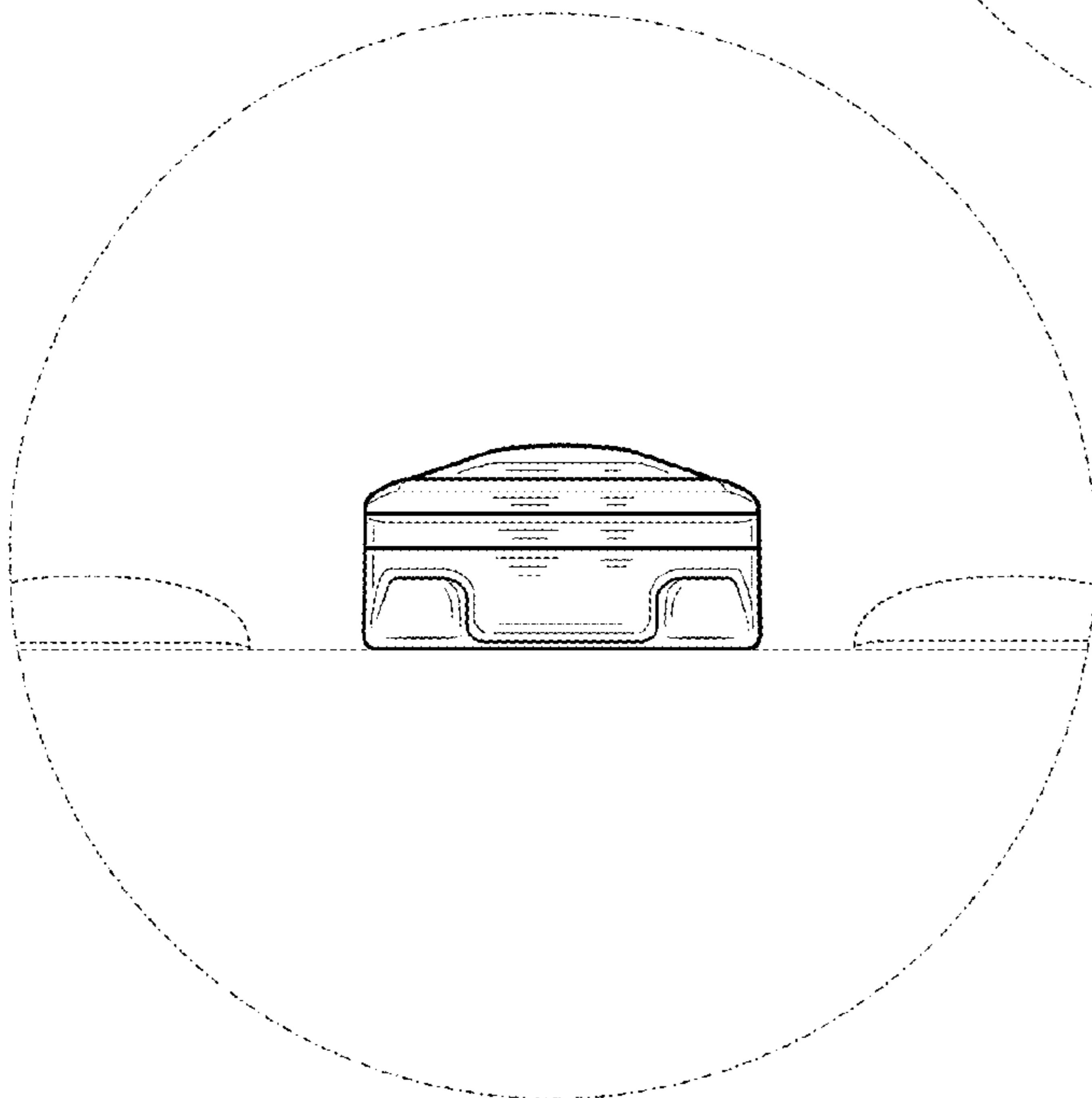


Fig. 12

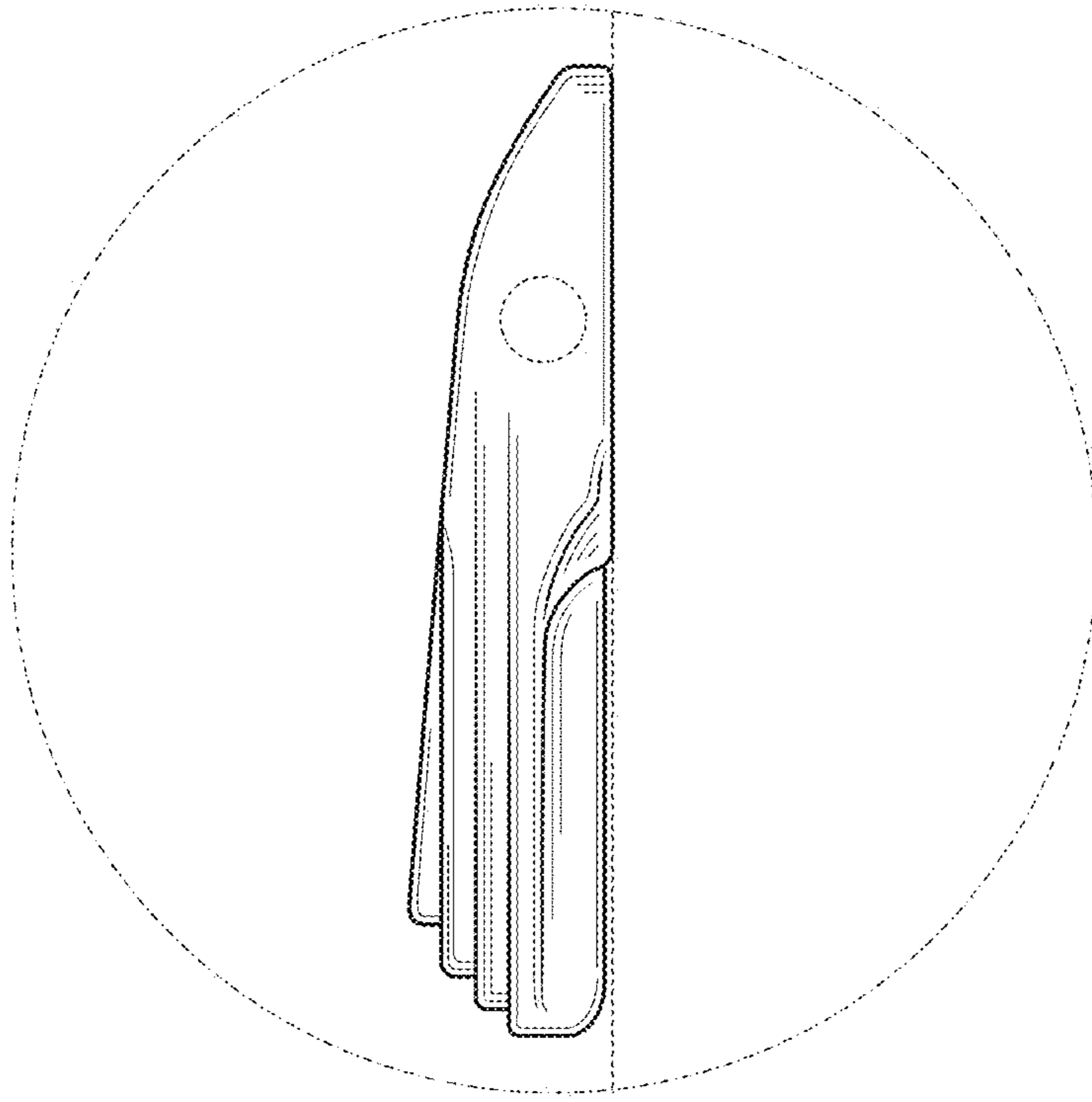


Fig. 13

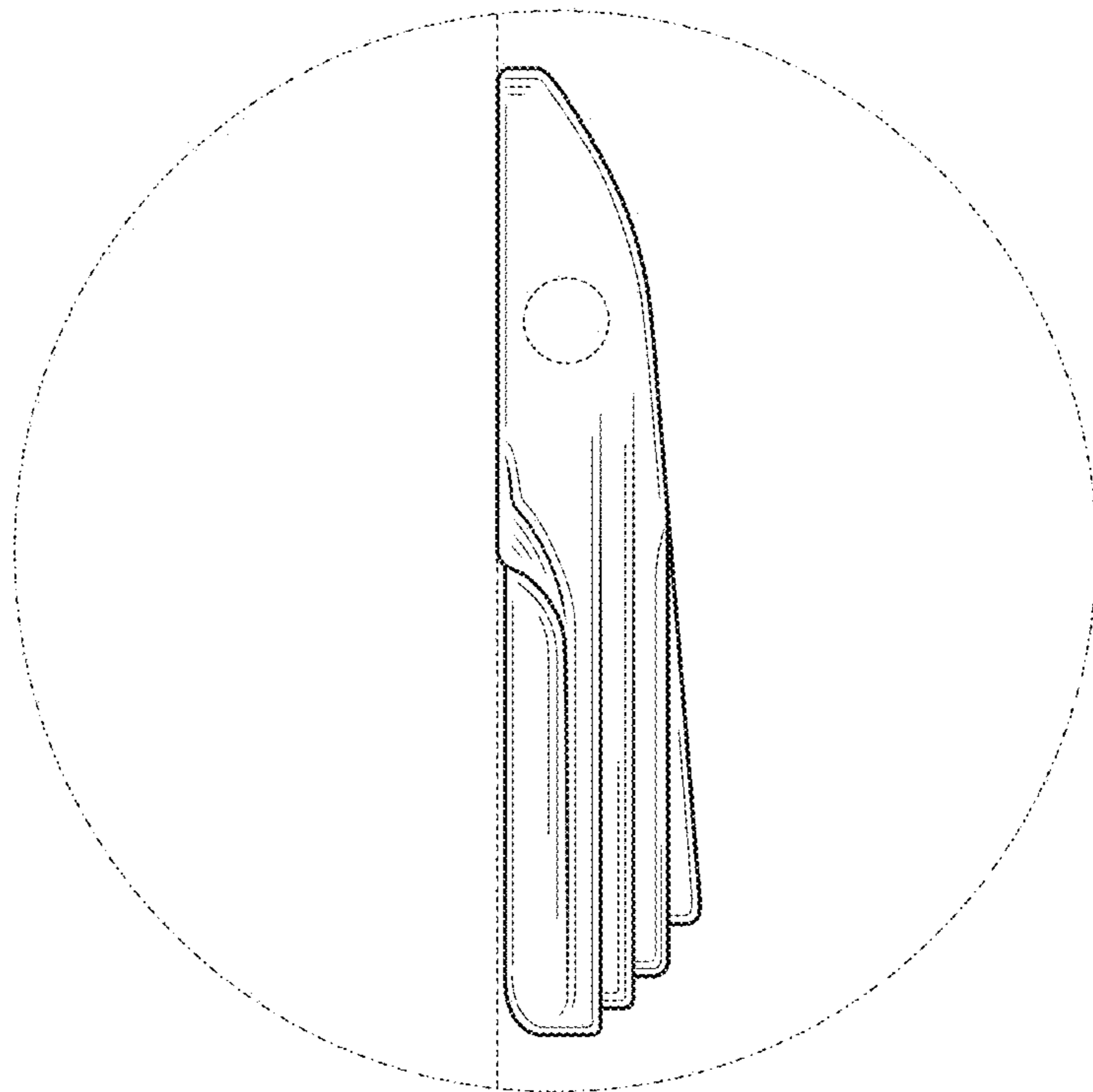


Fig. 14