



US00D907157S

(12) **United States Design Patent** (10) **Patent No.:** **US D907,157 S**
Faifer (45) **Date of Patent:** **** Jan. 5, 2021**

(54) **STOCK FOR A GUN**

(71) Applicant: **Sagi Faifer**, Mishmar Hashiva (IL)

(72) Inventor: **Sagi Faifer**, Mishmar Hashiva (IL)

(**) Term: **15 Years**

(21) Appl. No.: **29/698,414**

(22) Filed: **Jul. 16, 2019**

(51) **LOC (13) Cl.** **22-08**

(52) **U.S. Cl.**
USPC **D22/108**

(58) **Field of Classification Search**
USPC D22/108; D21/572-573
CPC F41C 23/14
See application file for complete search history.

(56) **References Cited**

U.S. PATENT DOCUMENTS

294,402 A	3/1884	Onderdonk
319,613 A	6/1885	Onderdonk
436,997 A	9/1890	Quackenbush
746,859 A	12/1903	Marble
922,173 A	5/1909	Lovelace
931,328 A	8/1909	Marble
961,511 A	6/1910	Marble
1,051,960 A	2/1913	Kennedy
1,086,490 A	2/1914	Weathers
1,156,293 A	10/1915	Jorgenson
1,174,840 A	3/1916	Fisher
1,315,215 A	9/1919	Davidson
1,485,456 A	3/1924	Von Frommer

(Continued)

Primary Examiner — Michael A. Pratt

(74) *Attorney, Agent, or Firm* — Law Office of Arthur M. Antonelli, PLLC

(57) **CLAIM**

The ornamental design for a stock for a gun, as shown and described.

DESCRIPTION

FIG. 1 is a perspective view of a stock for a gun in accordance with my new design, the stock for a gun including a variably adjustable cheek piece and butt plate adjustment, the variably adjustable cheek piece and butt plate adjustment being in a collapsed configuration;

FIG. 2 is a front, left, top perspective view of the stock for a gun of FIG. 1;

FIG. 3 is a front view of the stock for a gun of FIG. 1;

FIG. 4 is a rear view of the stock for a gun of FIG. 1;

FIG. 5 is a left side view of the stock for a gun of FIG. 1;

FIG. 6 is a right side view of the stock for a gun of FIG. 1;

FIG. 7 is a top view of the stock for a gun of FIG. 1;

FIG. 8 is a bottom view of the stock for a gun of FIG. 1;

FIG. 9 is a rear, left, bottom perspective view of the stock for a gun of FIG. 1;

FIG. 10 is a perspective view of the stock for a gun of FIG. 1, the variably adjustable cheek piece and butt plate adjustment being in an extended configuration;

FIG. 11 is a front, left, top perspective view of the stock for a gun of FIG. 10;

FIG. 12 is a front view of the stock for a gun of FIG. 10;

FIG. 13 is a rear view of the stock for a gun of FIG. 10;

FIG. 14 is a left side view of the stock for a gun of FIG. 10;

FIG. 15 is a right side view of the stock for a gun of FIG. 10;

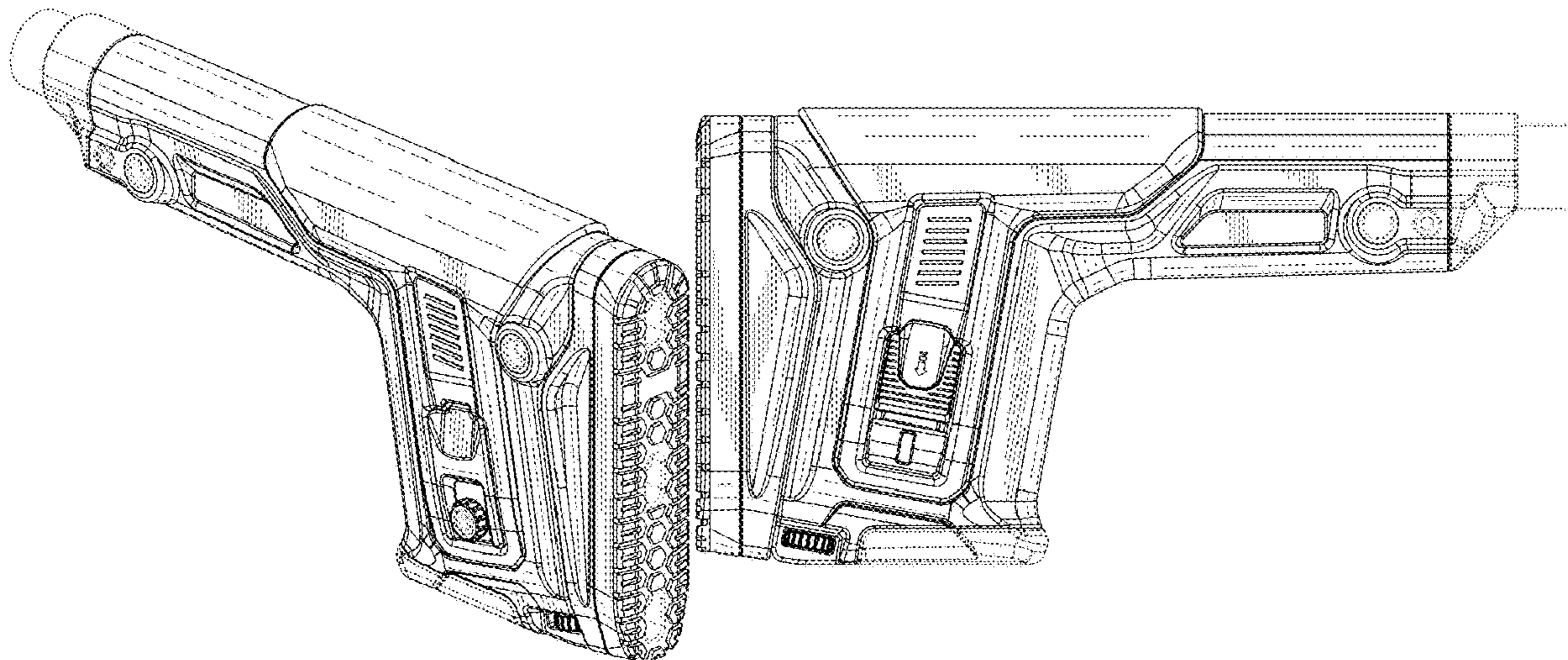
FIG. 16 is a top view of the stock for a gun of FIG. 10;

FIG. 17 is a bottom view of the stock for a gun of FIG. 10; and,

FIG. 18 is a rear, left, bottom perspective view of the stock for a gun of FIG. 10.

The broken lines immediately adjacent the shaded areas represent the bounds of the claimed design. All broken lines are directed to environment and are for illustrative purposes only and form no part of the claimed design.

1 Claim, 14 Drawing Sheets



(56)

References Cited

U.S. PATENT DOCUMENTS

1,526,847 A	2/1925	Fritz	7,775,150 B2	8/2010	Hochstrate et al.
1,734,852 A	11/1929	Frampton et al.	7,805,873 B2	10/2010	Bentley
1,822,875 A	9/1931	Ammann	7,810,270 B2	10/2010	Fitzpatrick et al.
2,098,139 A	11/1937	Foley et al.	7,823,313 B2	11/2010	Faifer
2,400,422 A	5/1946	Johnson, Jr.	7,827,722 B1	11/2010	Davies
2,424,194 A	7/1947	Sampson et al.	7,849,626 B2	12/2010	Fluhr
2,433,151 A	12/1947	Parsons	D631,122 S	1/2011	Domagtoy
2,766,542 A	10/1956	Harvey	D634,388 S	3/2011	Peterson et al.
3,044,204 A	7/1962	Zimmerman	D636,833 S	4/2011	Mayberry et al.
3,348,328 A	10/1967	Roy	D636,834 S	4/2011	Mayberry et al.
3,618,248 A	11/1971	Into et al.	7,930,849 B2	4/2011	Abraham et al.
3,618,249 A	11/1971	Grandy	7,937,873 B2	5/2011	Keng
4,115,943 A	9/1978	Musgrave	D640,342 S	6/2011	Fitzpatrick et al.
4,141,166 A	2/1979	Schultz	7,966,760 B2	6/2011	Fitzpatrick et al.
4,271,623 A	6/1981	Beretta	7,992,336 B2	8/2011	Phillips
4,327,626 A	5/1982	McQueen	8,006,425 B2	8/2011	Burt et al.
4,383,384 A	5/1983	Fox	D645,533 S	9/2011	Petersom et al.
4,512,101 A	4/1985	Waterman, Jr.	8,061,072 B1	11/2011	Crose
4,551,937 A	12/1985	Seehase	8,127,483 B2	3/2012	Kincel
4,697,367 A	10/1987	Brophy	8,127,485 B2	3/2012	Kincel
4,735,007 A	4/1988	Gal	D661,366 S	6/2012	Zusman
4,788,785 A	12/1988	White	8,191,299 B2	6/2012	Faifer
D324,557 S	3/1992	Livingston	D668,311 S	10/2012	Rogers et al.
5,209,215 A	5/1993	Morrison	8,327,568 B1	12/2012	Lavergne et al.
5,225,613 A	7/1993	Claridge	8,341,868 B2	1/2013	Zusman
5,622,000 A	4/1997	Marlowe	D676,921 S	2/2013	Fitzpatrick et al.
5,711,102 A	1/1998	Plaster et al.	8,387,298 B2	3/2013	Kincel
D391,334 S	2/1998	Plaster et al.	D683,808 S	6/2013	Elkaim
5,907,918 A	6/1999	Langevin et al.	D688,768 S	8/2013	Fitzpatrick et al.
6,250,194 B1	6/2001	Brandl et al.	D691,234 S	10/2013	Fitzpatrick et al.
6,560,911 B2	5/2003	Sharp	D692,087 S	10/2013	Fitzpatrick et al.
6,598,329 B1	7/2003	Alexander	8,555,541 B2	10/2013	Ingram
6,598,330 B2	7/2003	Garrett et al.	D695,377 S	12/2013	Mayberry et al.
6,637,141 B1	10/2003	Weatherby et al.	D697,162 S *	1/2014	Faifer D22/108
6,651,371 B2	11/2003	Fitzpatrick et al.	D700,265 S	2/2014	Mayberry et al.
6,779,289 B2	8/2004	Kay	8,707,603 B2	4/2014	Troy et al.
6,829,855 B2	12/2004	Seifert	D704,294 S	5/2014	Jarboe
6,839,998 B1	1/2005	Armstrong	8,756,849 B2	6/2014	Troy
6,874,267 B2	4/2005	Fitzpatrick et al.	8,800,189 B2	8/2014	Fitzpatrick et al.
6,925,743 B1	8/2005	DiGiovanna	8,813,157 B2	8/2014	Le Leannec et al.
D517,637 S	3/2006	Murello et al.	D712,998 S	9/2014	Gomez
7,104,001 B1	9/2006	Digiovanna	8,844,185 B2	9/2014	Jarboe
7,131,228 B2	11/2006	Hochstrate et al.	D716,403 S	10/2014	Burt et al.
7,152,355 B2	12/2006	Fitzpatrick et al.	8,943,728 B2	2/2015	Ward et al.
7,162,822 B1	1/2007	Heayn et al.	D725,219 S	3/2015	Hirt et al.
7,162,823 B2	1/2007	Schoppman et al.	8,978,284 B1	3/2015	Zusman
7,337,573 B1	3/2008	Digiovanna	D736,336 S	8/2015	Mayberry et al.
7,398,616 B1	7/2008	Weir	D745,627 S	12/2015	Kielsmeier et al.
7,418,797 B1	9/2008	Crose	D748,216 S *	1/2016	Zusman D22/108
7,428,794 B2	9/2008	Oz	9,228,795 B1	1/2016	Kielsmeier et al.
D584,373 S	1/2009	Young	9,239,203 B2	1/2016	Jarboe et al.
D589,578 S	3/2009	Choma	D753,782 S	4/2016	Vazquez et al.
D600,304 S	9/2009	Fitzpatrick et al.	9,322,611 B1	4/2016	Barfoot et al.
D600,305 S	9/2009	Fitzpatrick et al.	D755,323 S	5/2016	Eitan et al.
D600,306 S	9/2009	Fitzpatrick et al.	D755,331 S	5/2016	Eitan et al.
D600,307 S *	9/2009	Fitzpatrick D22/109	D757,883 S	5/2016	Chow et al.
D600,308 S	9/2009	Fitzpatrick et al.	D757,885 S	5/2016	Barfoot et al.
7,587,852 B1	9/2009	Harms	D764,622 S	8/2016	Bosco et al.
D602,555 S	10/2009	Fitzpatrick et al.	9,404,708 B1	8/2016	Chow et al.
D603,013 S	10/2009	Fitzpatrick et al.	9,410,764 B2	8/2016	Jarboe
D604,793 S	11/2009	Fitzpatrick et al.	9,429,387 B1	8/2016	Barfoot et al.
D604,794 S	11/2009	Bentley	D769,396 S	10/2016	Keller, II
7,610,711 B2	11/2009	Oz	9,464,863 B2	10/2016	Mather et al.
D606,614 S	12/2009	Fitzpatrick et al.	9,488,434 B2	11/2016	Kielsmeier et al.
D607,078 S	12/2009	Cen-Tang Chu	9,488,435 B1	11/2016	Roberts et al.
7,627,975 B1	12/2009	Hines	D773,592 S	12/2016	Jones
7,640,688 B2	1/2010	Oz	D773,593 S	12/2016	Hopkins et al.
7,647,719 B2	1/2010	Fitzpatrick et al.	9,541,347 B2	1/2017	Maugham
7,654,187 B2	2/2010	Hochstrate et al.	9,551,549 B1	1/2017	Chvala
7,681,351 B2	3/2010	Bucholtz et al.	D779,018 S	2/2017	Zayatz et al.
D616,056 S	5/2010	Bentley	D780,279 S	2/2017	Bosco et al.
7,743,544 B2	6/2010	Laney et al.	9,581,411 B2	2/2017	Zusman
D620,067 S	7/2010	Saur	D781,392 S	3/2017	Zayatz et al.
7,762,018 B1	7/2010	Fitzpatrick et al.	D785,122 S	4/2017	Mather et al.
D622,802 S	8/2010	Fitzpatrick et al.	9,612,084 B2	4/2017	Barfoot et al.
			9,664,476 B1	5/2017	Robinson et al.
			9,664,479 B1	5/2017	Robinson et al.
			D792,936 S	7/2017	Eitan et al.
			D792,937 S	7/2017	Eitan et al.

(56)

References Cited

U.S. PATENT DOCUMENTS

D795,981 S	8/2017	Martelli et al.	2009/0139128 A1	6/2009	Fluhr
D795,982 S	8/2017	Ottosen	2009/0178325 A1	7/2009	Veilleux
D795,985 S	8/2017	Frederickson et al.	2009/0241397 A1	10/2009	Fitzpatrick et al.
9,739,565 B2	8/2017	Kielsmeier et al.	2009/0255161 A1	10/2009	Fitzpatrick et al.
9,746,281 B2	8/2017	Wilson et al.	2009/0277066 A1	11/2009	Burt et al.
D796,617 S	9/2017	Chow et al.	2010/0115817 A1	5/2010	Faifer
D798,984 S	10/2017	Roberts et al.	2010/0180485 A1	6/2010	Cabahug et al.
9,784,526 B2	10/2017	Chow et al.	2010/0192444 A1	8/2010	Cabahug et al.
D804,602 S *	12/2017	Barfoot D22/108	2010/0192446 A1	8/2010	Darian
D809,621 S	2/2018	Lam et al.	2010/0192447 A1	8/2010	Cabahug et al.
D810,225 S	2/2018	Huang et al.	2010/0205846 A1	8/2010	Fitzpatrick et al.
D814,597 S	4/2018	Thornton	2010/0229444 A1	9/2010	Faifer
D818,074 S	5/2018	Ding et al.	2010/0251591 A1	10/2010	Burt et al.
D819,765 S	6/2018	Kafka et al.	2010/0275489 A1	11/2010	Cabahug et al.
10,036,602 B1	7/2018	Nuss et al.	2010/0300277 A1	12/2010	Hochstrate et al.
10,060,699 B1	8/2018	Hu	2011/0099872 A1	5/2011	Bentley
D828,476 S	9/2018	Smith et al.	2011/0173863 A1	7/2011	Ingram
D831,149 S *	10/2018	Barfoot D22/108	2011/0192067 A1	8/2011	Troy
10,215,526 B2	2/2019	Shinkle et al.	2011/0258899 A1	10/2011	Fitzpatrick et al.
D847,933 S	5/2019	Windfeldt	2012/0000108 A1	1/2012	Zusman
10,386,138 B2	8/2019	Nuss et al.	2012/0042556 A1	2/2012	Vesligaj
D865,898 S	11/2019	Windfeldt	2012/0079752 A1	4/2012	Peterson et al.
D868,924 S *	12/2019	Nuss D22/108	2012/0131829 A1	5/2012	Fistikchi
D871,536 S *	12/2019	Lessard D22/108	2012/0174455 A1	7/2012	Edelman et al.
D883,419 S	5/2020	Windfeldt	2012/0174456 A1	7/2012	DePierro et al.
2003/0101631 A1	6/2003	Fitzpatrick et al.	2012/0174457 A1	7/2012	Edelman
2003/0110675 A1	6/2003	Garrett et al.	2012/0180353 A1	7/2012	Holmberg
2003/0196366 A1	10/2003	Beretta	2013/0180148 A1	7/2013	Rodgers et al.
2003/0200693 A1	10/2003	Seifert	2013/0305579 A1	11/2013	Ward et al.
2004/0016167 A1	1/2004	Fitzpatrick et al.	2014/0223791 A1	8/2014	Ruby et al.
2004/0055200 A1	3/2004	Fitzpatrick et al.	2015/0176943 A1	6/2015	Iervolino
2004/0211104 A1	10/2004	Eberle	2016/0116249 A1	4/2016	Maugham
2004/0255505 A1	12/2004	Fitzpatrick	2016/0178314 A1	6/2016	Kielsmeier et al.
2005/0108915 A1	5/2005	Kincel	2016/0202016 A1	7/2016	Mather et al.
2005/0235546 A1	10/2005	Wonisch et al.	2016/0258713 A1	9/2016	Huang et al.
2005/0262752 A1	12/2005	Robinson et al.	2016/0273876 A1	9/2016	Barfoot et al.
2006/0096146 A1	5/2006	Fitzpatrick et al.	2016/0305738 A1	10/2016	Huang et al.
2006/0254414 A1	11/2006	Kuczynko et al.	2016/0327361 A1	11/2016	Roberts et al.
2007/0261284 A1	11/2007	Keng	2016/0341518 A1	11/2016	Barfoot et al.
2008/0028662 A1	2/2008	Abraham et al.	2016/0363415 A1	12/2016	Kielsmeier et al.
2008/0236016 A1	10/2008	Fitzpatrick et al.	2017/0010065 A1	1/2017	Kielsmeier et al.
2008/0236017 A1	10/2008	Fitzpatrick et al.	2017/0082394 A1	3/2017	Chow et al.
2008/0301994 A1	12/2008	Langevin et al.	2017/0241737 A1	8/2017	Keller, II
			2018/0003459 A1	1/2018	Miller et al.
			2019/0128639 A1	5/2019	Parker et al.

* cited by examiner

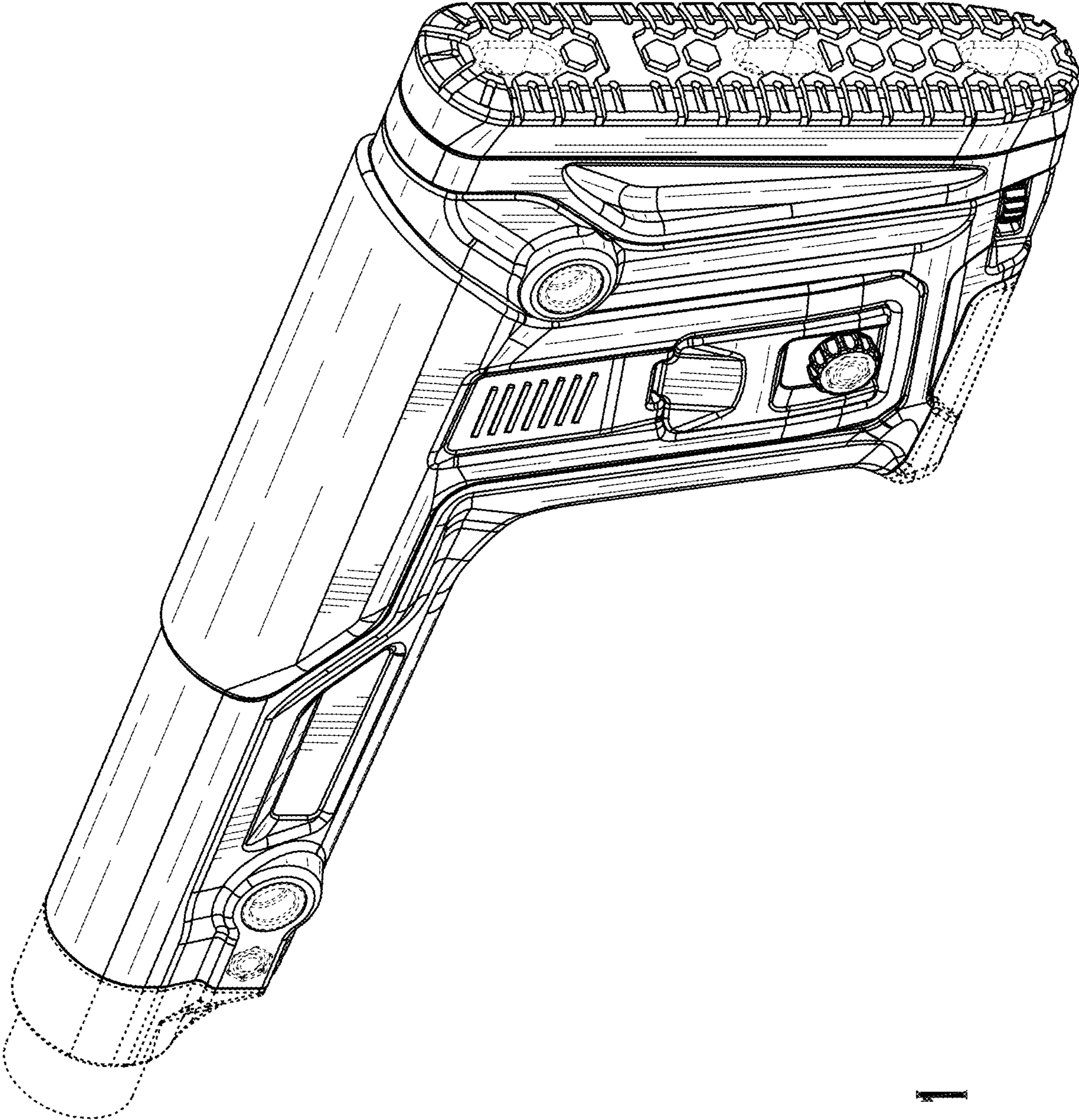


FIG. 1

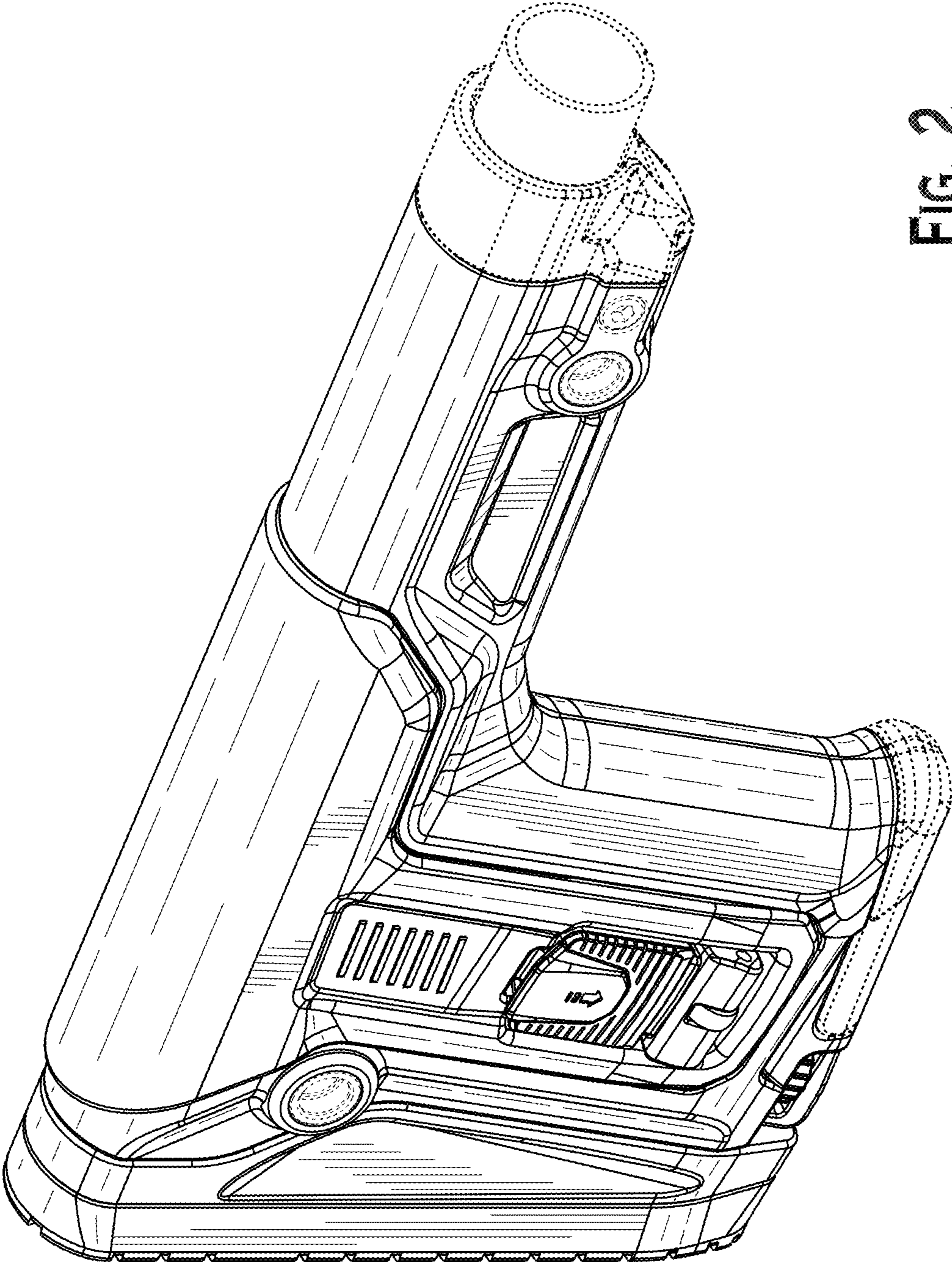


FIG. 2

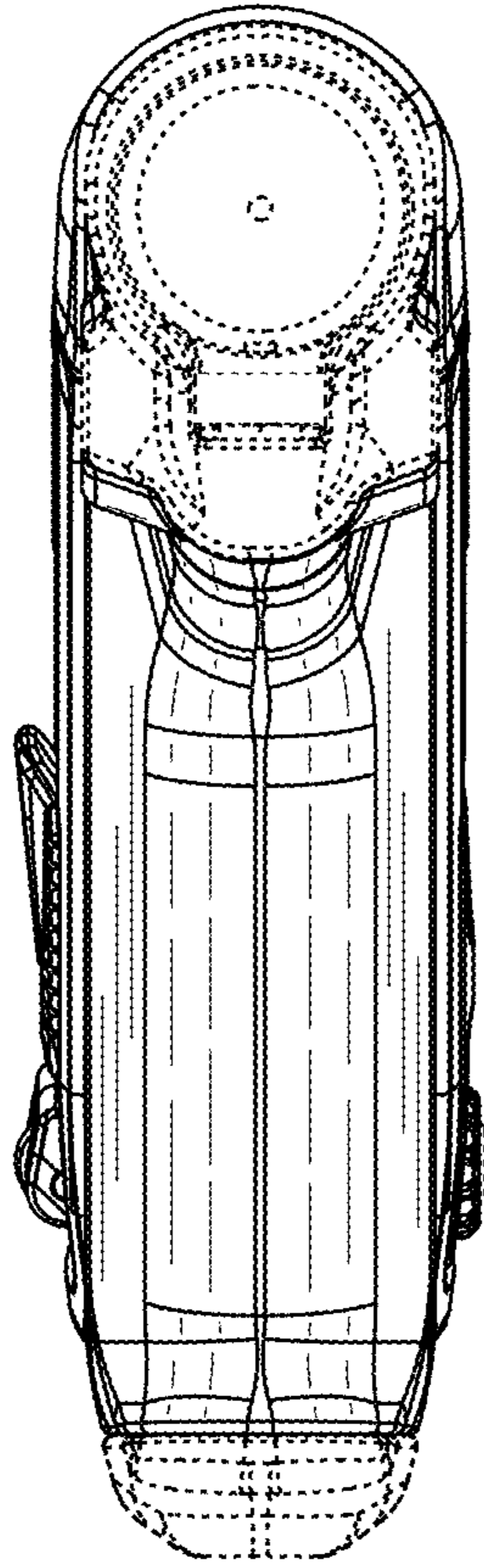


FIG. 3

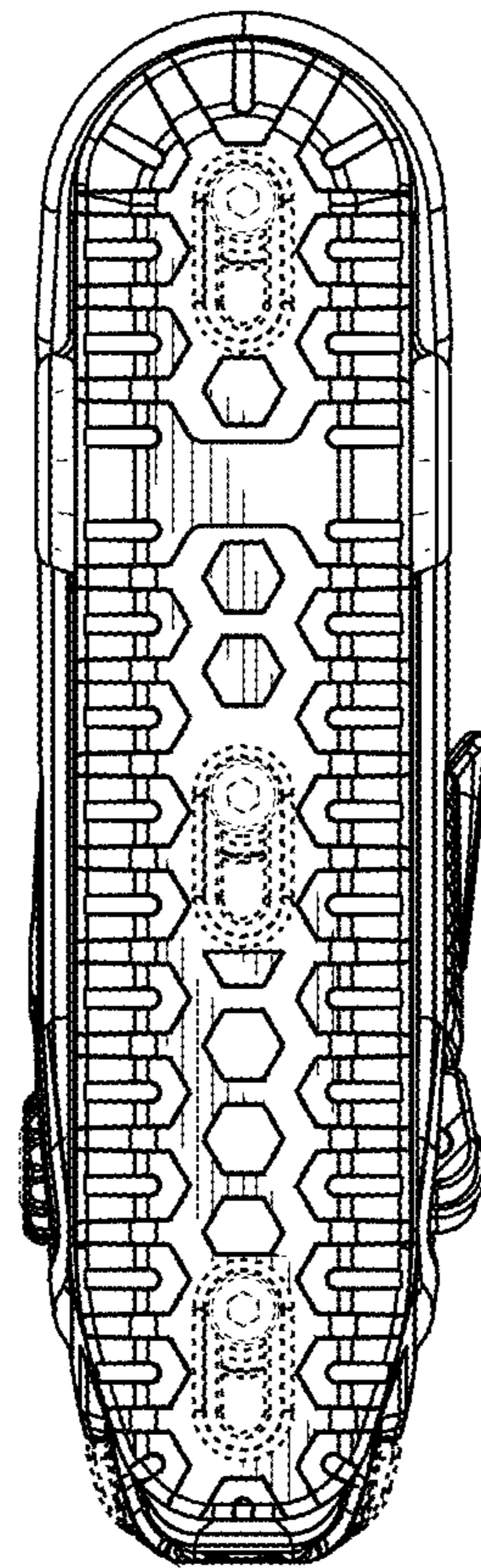


FIG. 4

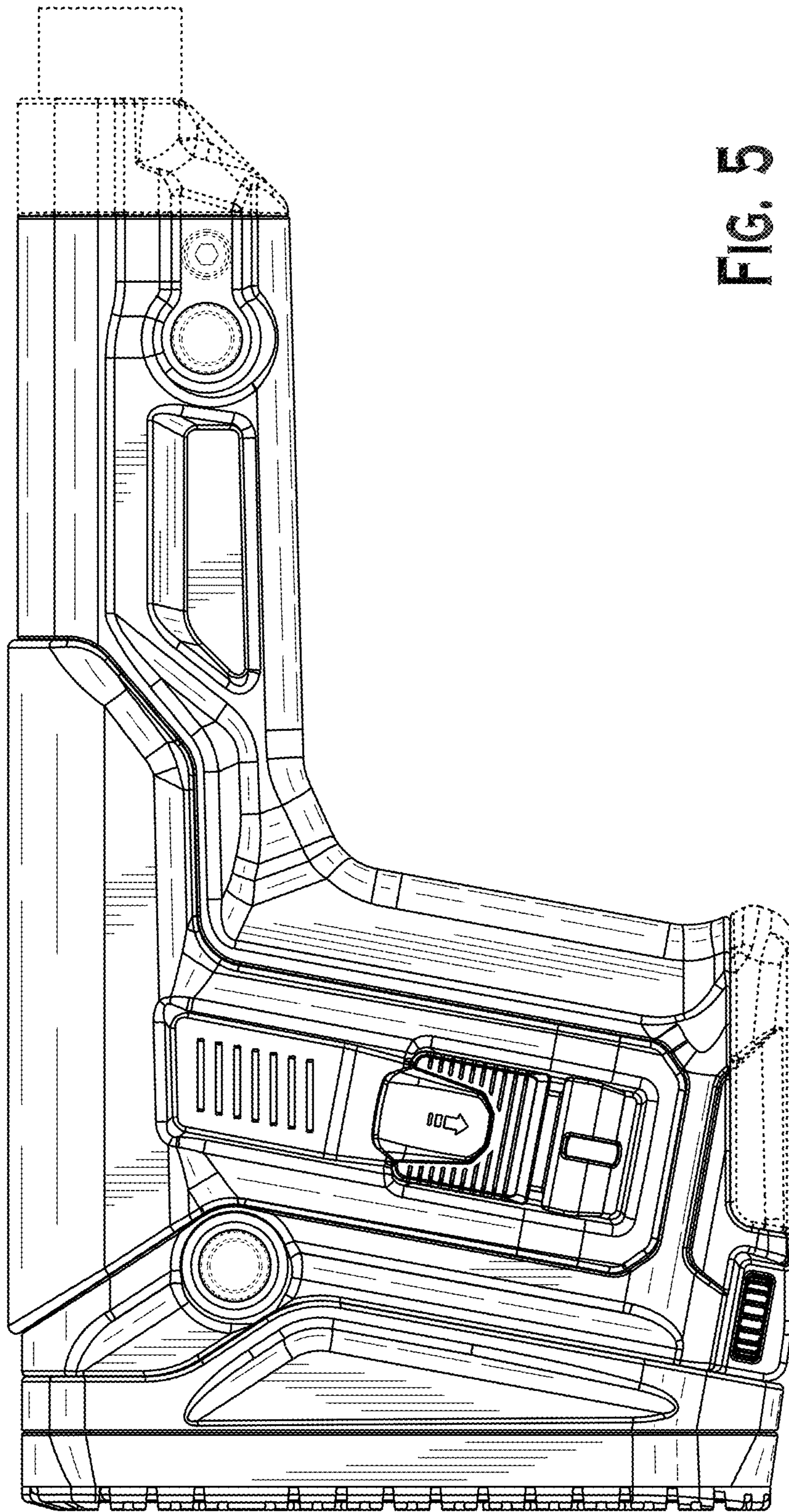


FIG. 5

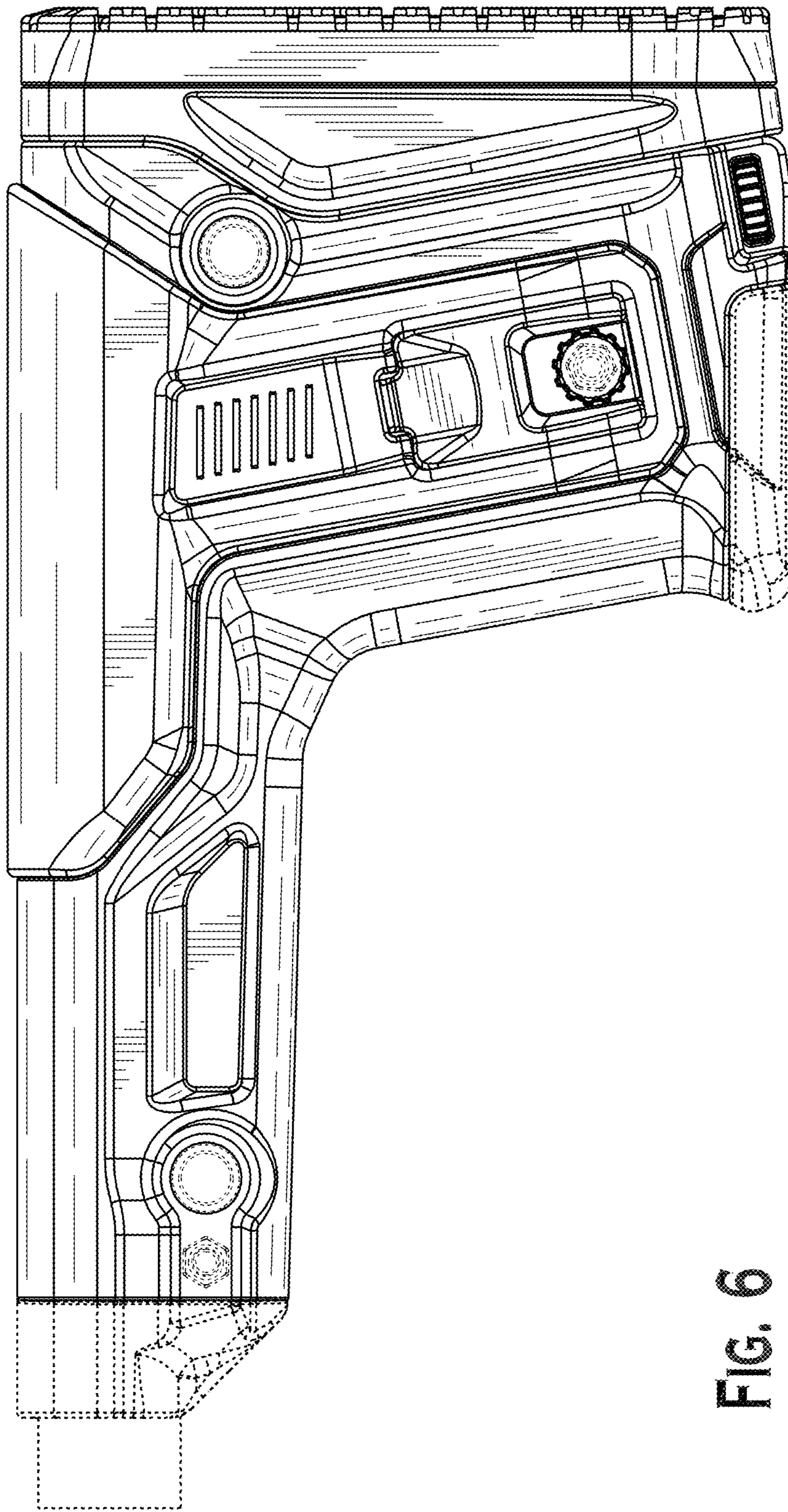


FIG. 6

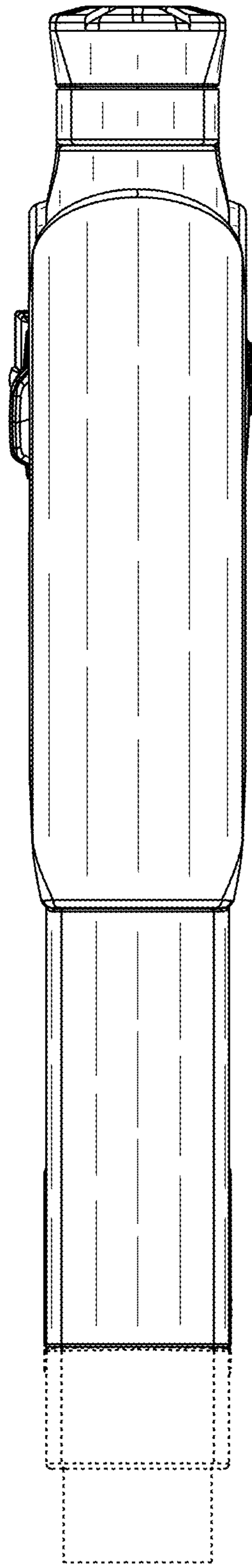


FIG. 7

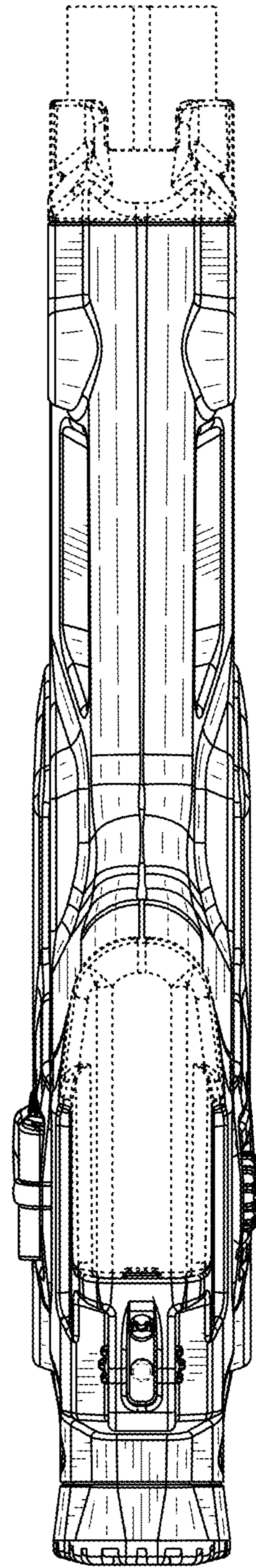


FIG. 8

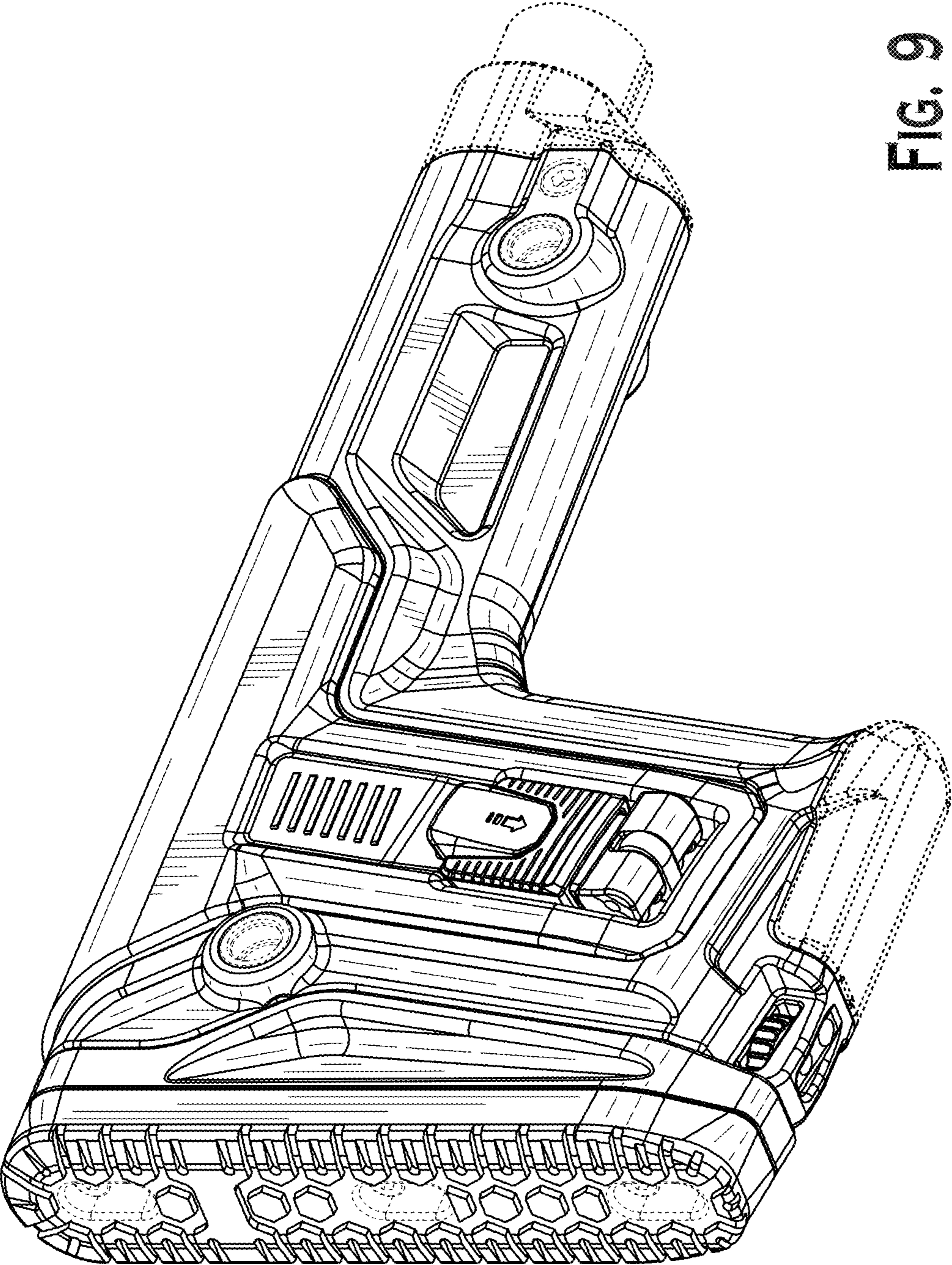


FIG. 9

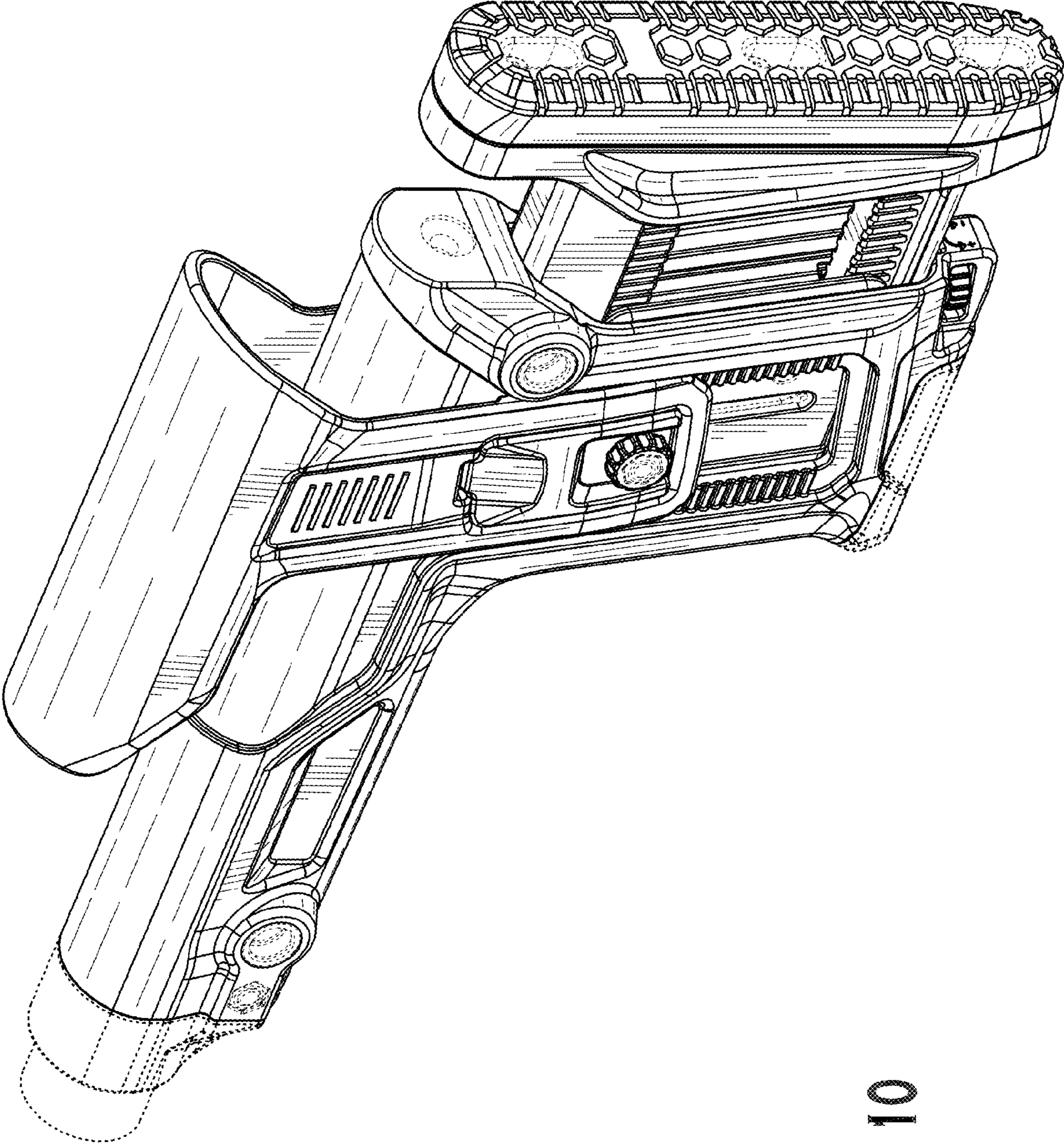


FIG. 10

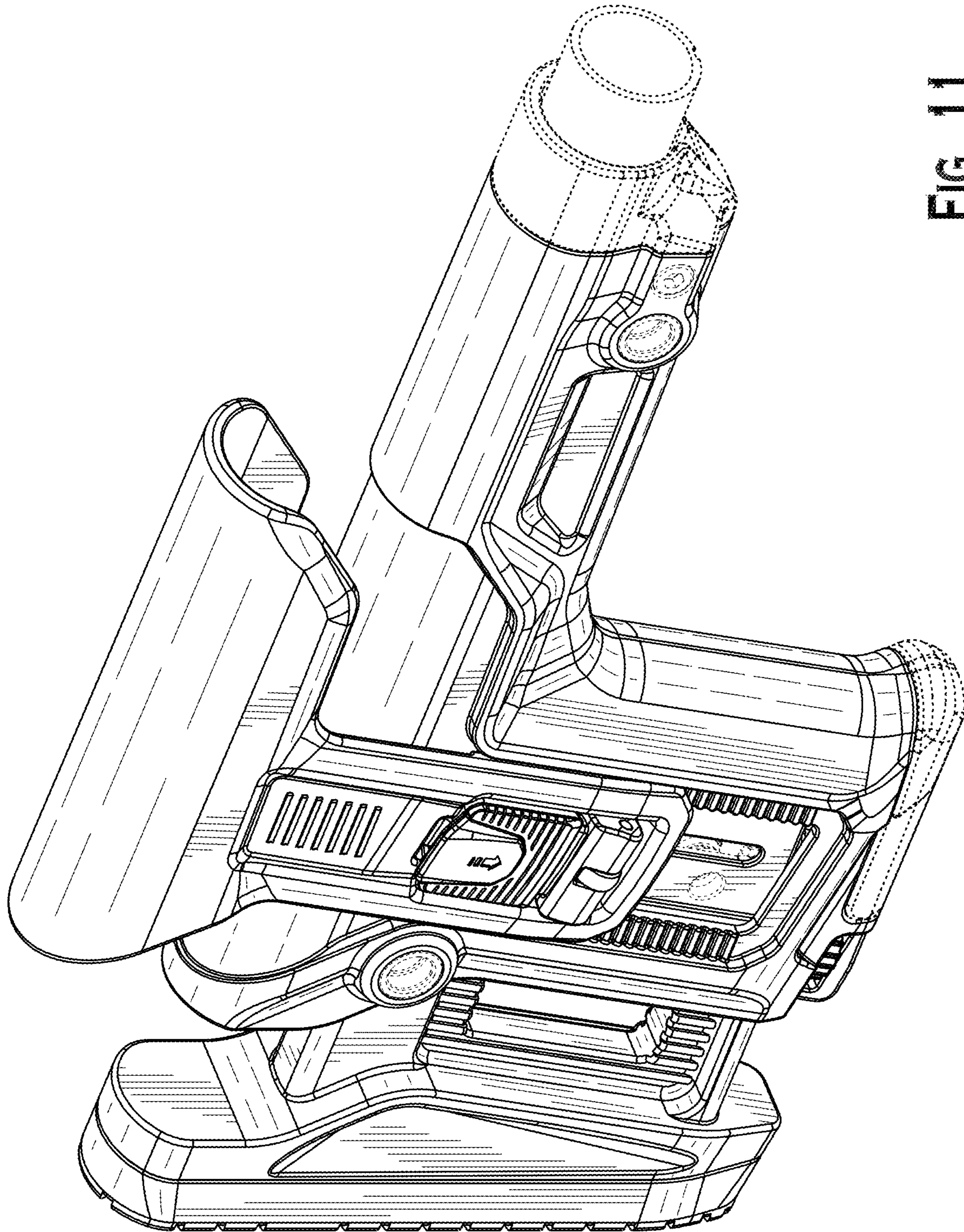


FIG. 11

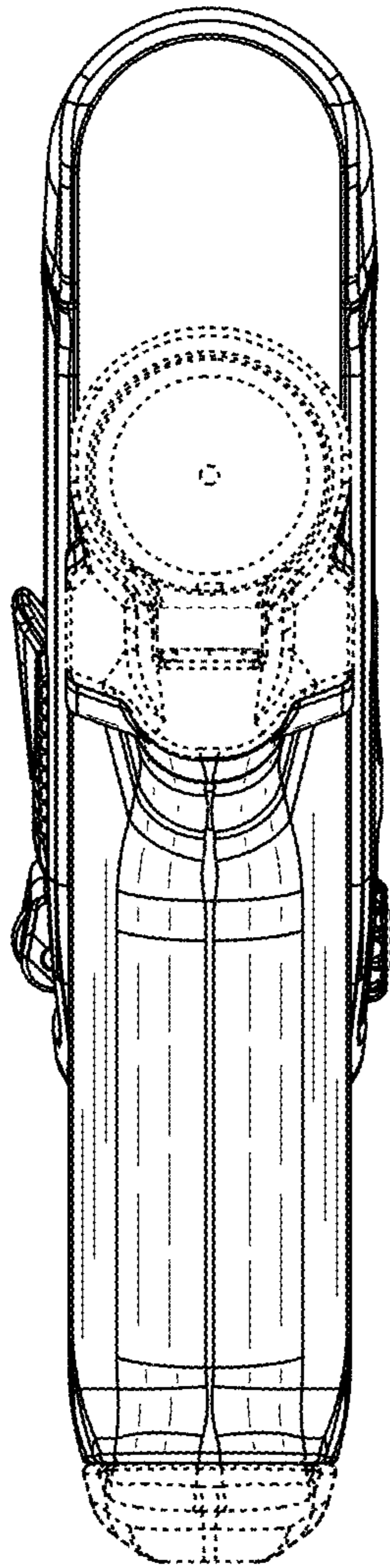


FIG. 12

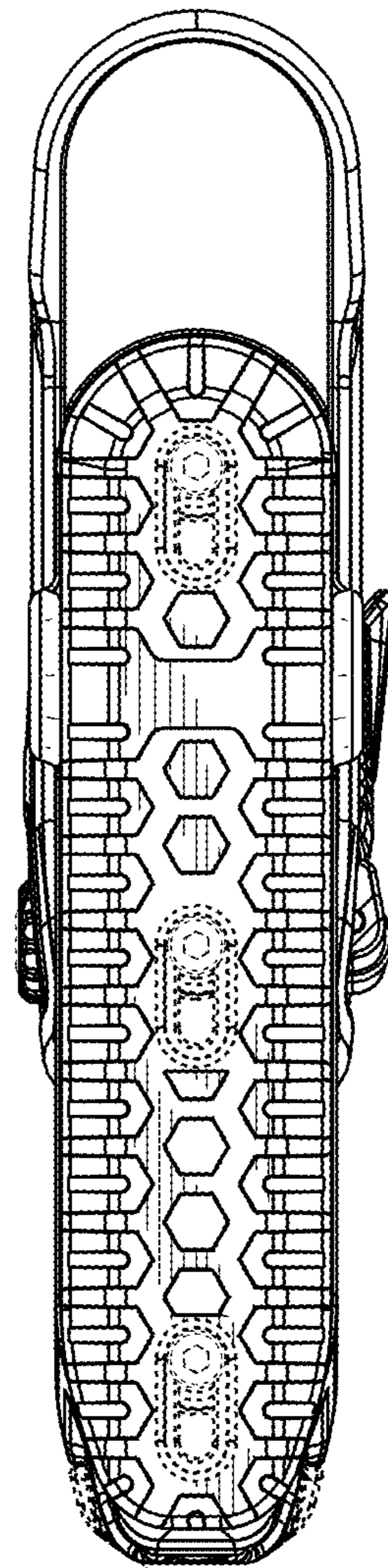


FIG. 13

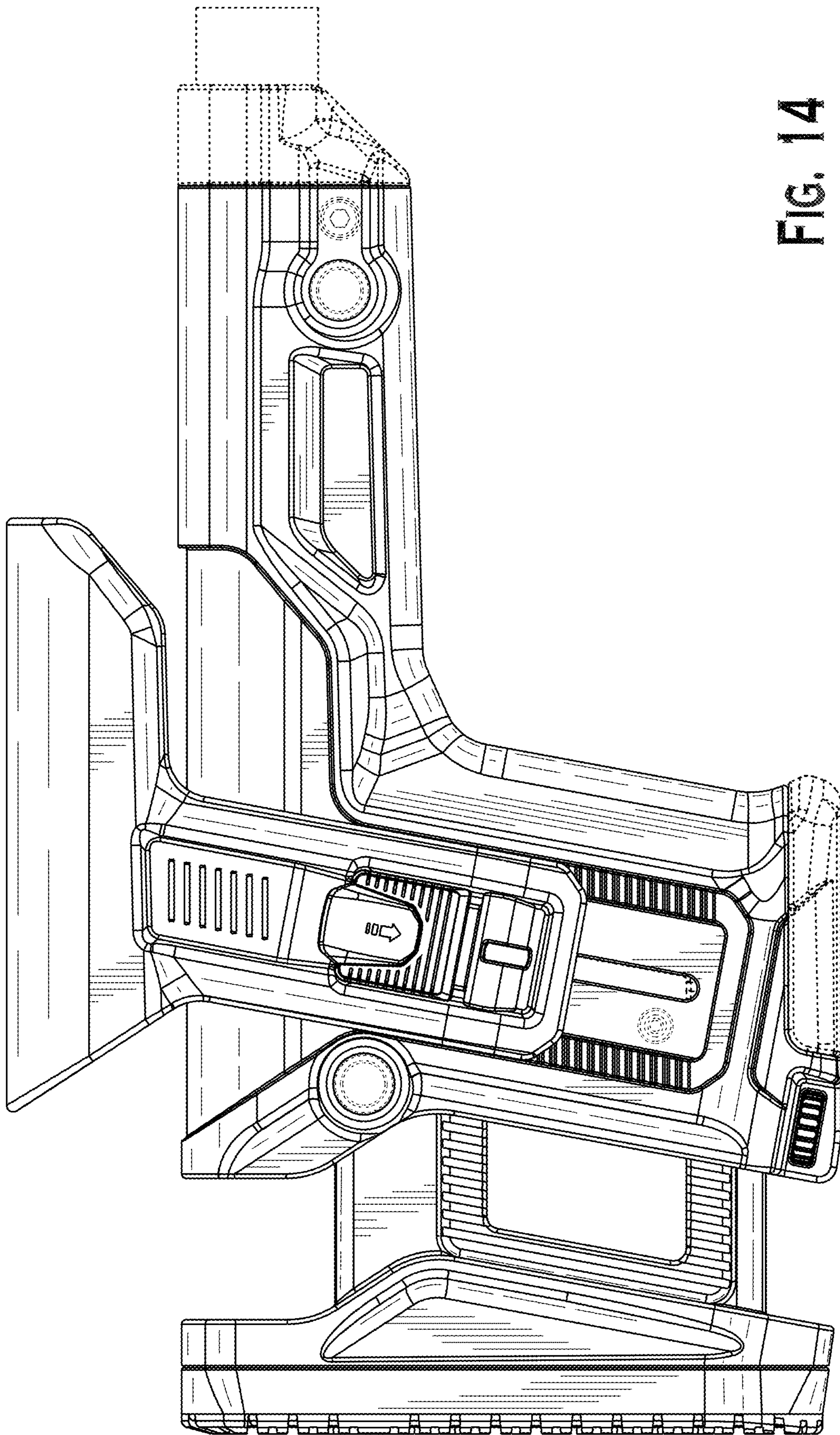


FIG. 14

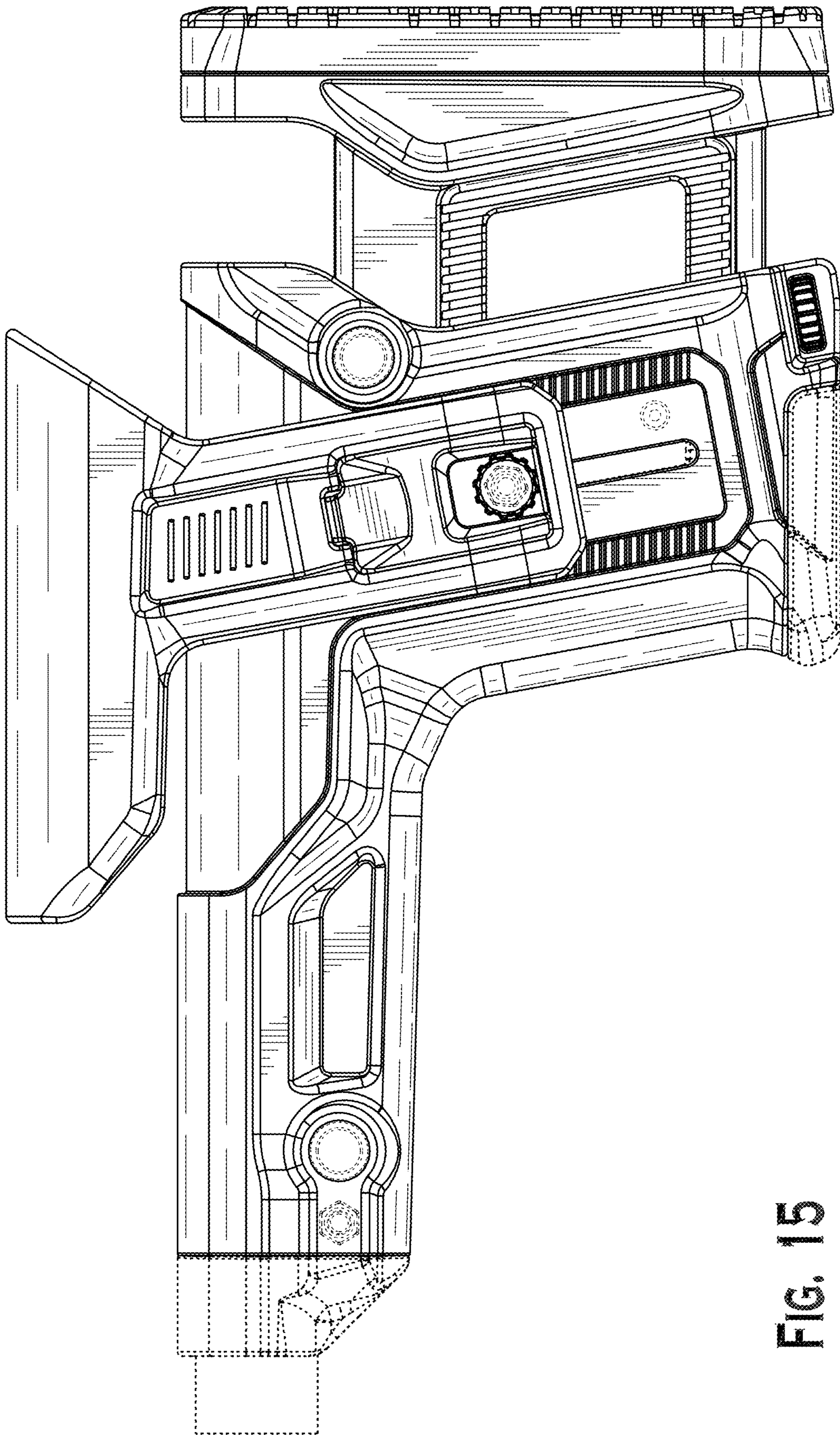


FIG. 15

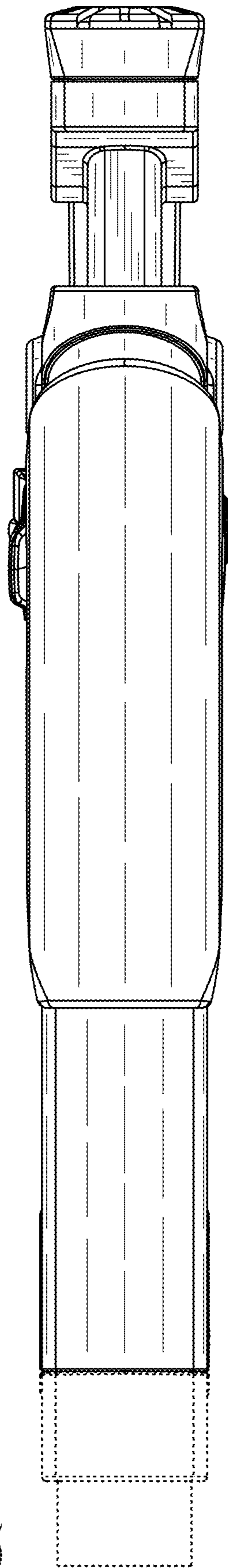


FIG. 16

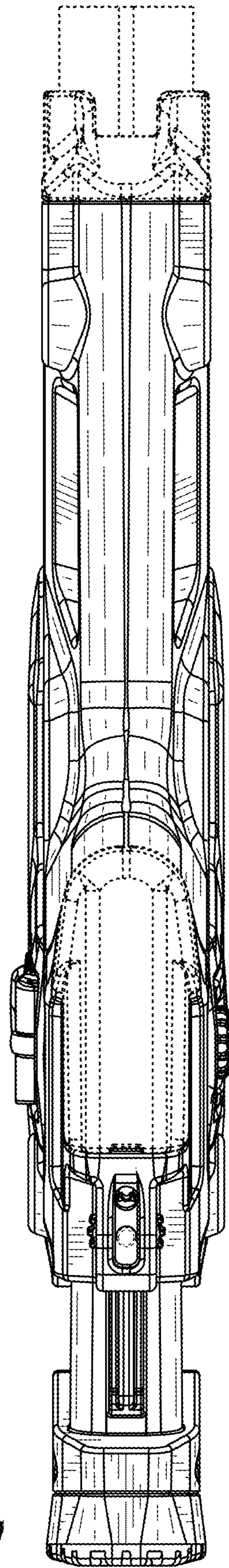


FIG. 17

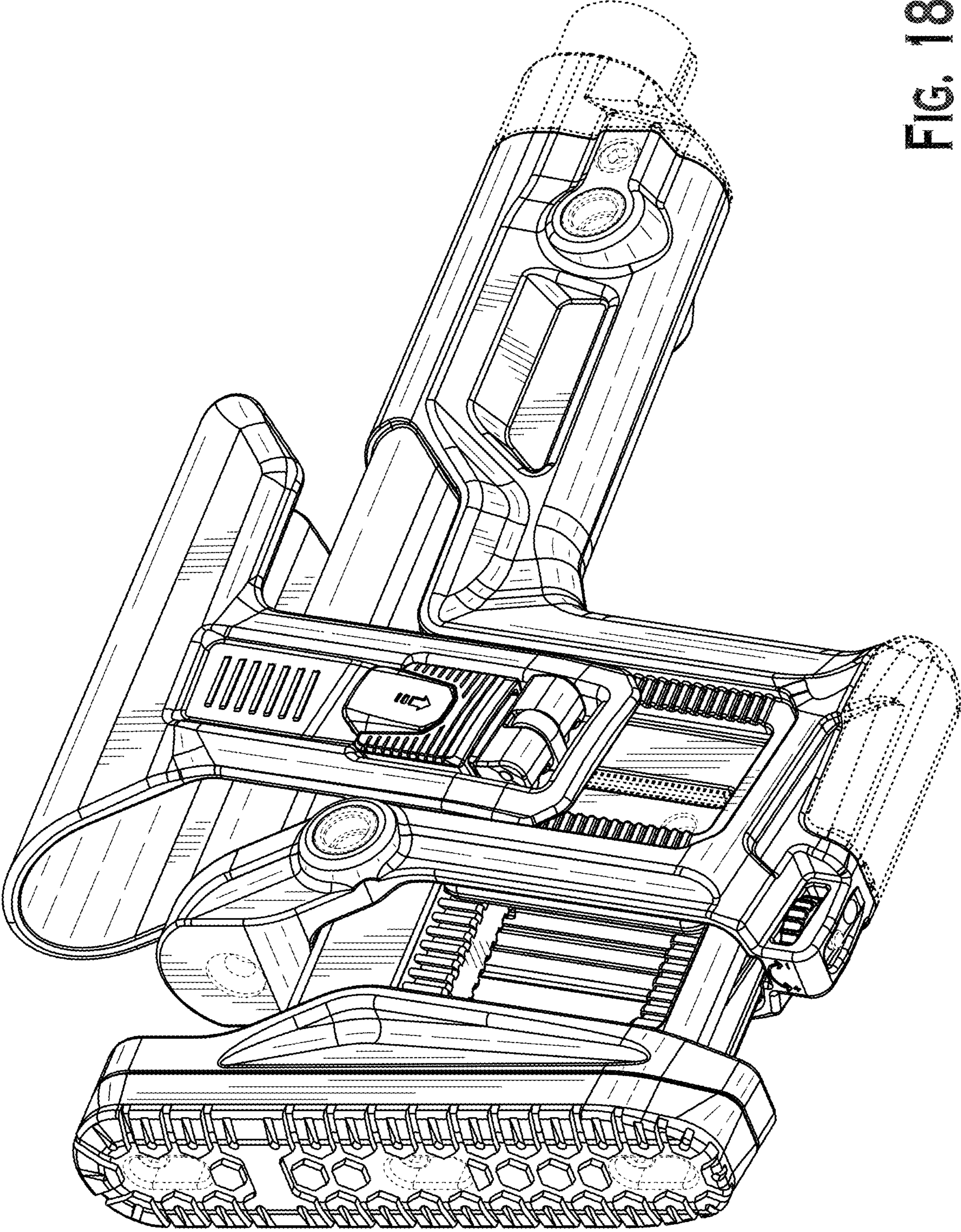


FIG. 18