



US00D907153S

(12) **United States Design Patent** (10) **Patent No.:** **US D907,153 S**
Peterson et al. (45) **Date of Patent:** **** Jan. 5, 2021**

(54) **GOLF BALL MARKER**

OTHER PUBLICATIONS

(71) Applicant: **On Point Ball Marker LLC**, Basalt, CO (US)

U.S. Appl. No. 16/358,265, Non final Office Action dated Mar. 31, 2020, 15 pp.

(Continued)

(72) Inventors: **Briston Peterson**, Basalt, CO (US);
James Joseph Verna, Basalt, CO (US)

Primary Examiner — Mitchell I. Siegel

(74) *Attorney, Agent, or Firm* — Lathrop GPM LLP

(73) Assignee: **On Point Ball Marker LLC**, Basalt, CO (US)

(57) **CLAIM**

The ornamental design for a golf ball marker, as shown and described.

(**) Term: **15 Years**

DESCRIPTION

(21) Appl. No.: **29/683,752**

(22) Filed: **Mar. 15, 2019**

Related U.S. Application Data

(63) Continuation-in-part of application No. 29/672,877, filed on Dec. 10, 2018, which is a (Continued)

(51) **LOC (13) Cl.** **21-02**

(52) **U.S. Cl.**
USPC **D21/794**

(58) **Field of Classification Search**
USPC D21/793–794, 789 (Continued)

(56) **References Cited**

U.S. PATENT DOCUMENTS

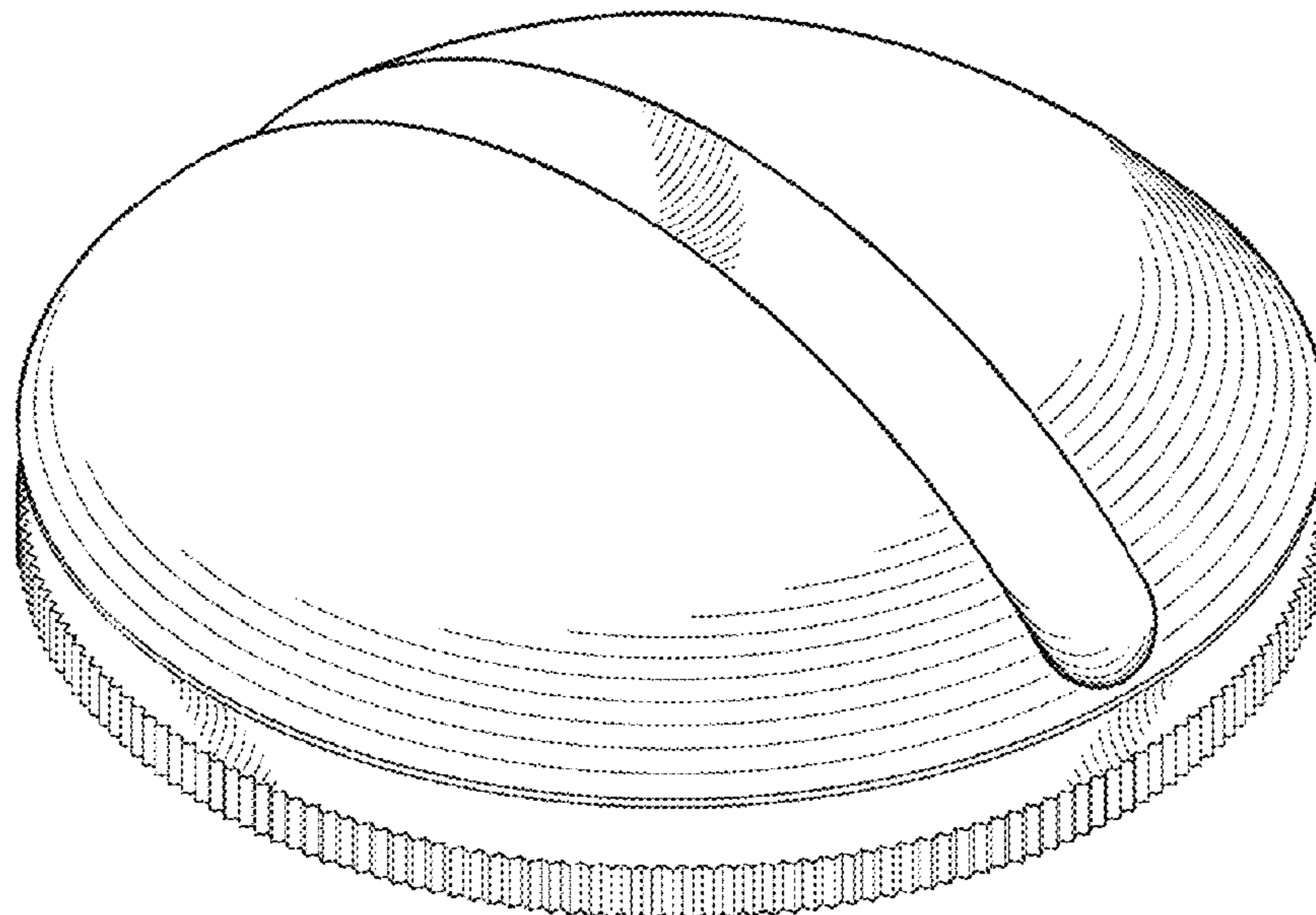
1,541,504 A 6/1925 Hunter
1,558,078 A 10/1925 Darby
(Continued)

FOREIGN PATENT DOCUMENTS

CA 2920230-A 1 2/2015
KR 20080005443 U 11/2008
KR 20090058485 A 6/2009

FIG. 1 is a perspective view of a first embodiment of a golf ball marker showing my new design;
FIG. 2 is a perspective view of the bottom of the marker;
FIG. 3 is a top view thereof;
FIG. 4 is a bottom view thereof;
FIG. 5 is a side view thereof;
FIG. 6 is a quarter turn view thereof;
FIG. 7 is a perspective view of a second embodiment of a golf ball marker showing my new design;
FIG. 8 is a top view thereof;
FIG. 9 is side view thereof;
FIG. 10 is a quarter turn view thereof;
FIG. 11 is a bottom view thereof;
FIG. 12 is a perspective view of a seventh embodiment of the golf ball marker showing my new design;
FIG. 13 is a top view thereof;
FIG. 14 is a bottom view thereof;
FIG. 15 is a side view thereof;
FIG. 16 is a quarter turn view thereof;
FIG. 17 is a perspective view of an eighth embodiment of the golf ball marker showing my new design;
FIG. 18 is a top view thereof;
FIG. 19 is a side view thereof;
FIG. 20 is a quarter turn view thereof; and,
FIG. 21 is a bottom view thereof.

1 Claim, 10 Drawing Sheets



Related U.S. Application Data

continuation-in-part of application No. 29/655,568,
filed on Jul. 5, 2018, now Pat. No. Des. 872,817.

- (58) **Field of Classification Search**
CPC A63B 57/353; A63B 57/207; A63B 57/00;
A63B 57/30; A63B 57/35; A63B 57/50
See application file for complete search history.

- (56) **References Cited**

U.S. PATENT DOCUMENTS

1,789,525 A * 1/1931 Hoff E01F 9/553
404/15

3,099,450 A 7/1963 Randall

3,540,735 A 11/1970 Miller

D220,769 S 5/1971 LaHue

4,128,238 A 12/1978 Newcomb

4,858,925 A 8/1989 Destefano, Jr.

5,305,999 A 4/1994 Tate

D361,558 S 8/1995 Siano, Jr.

5,437,446 A * 8/1995 Youngkin A63B 69/3676
473/409

5,476,258 A 12/1995 Frisone

5,478,612 A 12/1995 Hack

D373,115 S 8/1996 Logan

D378,516 S 3/1997 Smith

5,743,180 A * 4/1998 Arnke A63B 45/02
101/35

5,795,248 A 8/1998 Giglio

D400,440 S 11/1998 Tucker

6,077,174 A * 6/2000 Noritake A63B 57/353
473/406

6,095,933 A 8/2000 Smith

6,125,747 A * 10/2000 Elliott A63B 45/02
101/35

6,422,955 B1 7/2002 Lopez

D503,085 S 3/2005 McGrath, Jr.

D526,239 S 8/2006 Porter

D527,066 S 8/2006 Greiner

D540,902 S 4/2007 Regalado

D554,725 S * 11/2007 Park D21/793

D588,670 S 3/2009 Walz

7,549,930 B2 6/2009 Rice

D605,719 S 12/2009 Bernal-Silva

D607,527 S 1/2010 Bernal-Silva

7,654,920 B2 * 2/2010 Perry A63B 45/02
473/408

D616,953 S * 6/2010 Shinki D21/794

D622,799 S * 8/2010 Cameron A63B 59/50
D21/794

7,819,762 B2 10/2010 Bernal-Silva

D632,351 S 2/2011 Scott

7,922,605 B2 4/2011 Lim

8,016,698 B2 * 9/2011 Cameron A63B 57/50
473/406

8,057,326 B2 11/2011 Woodbury

D654,539 S 2/2012 Hobbs

D661,761 S * 6/2012 Cameron D21/794

8,216,091 B2 7/2012 Neal

D704,291 S * 5/2014 Snyder D21/794

D721,152 S * 1/2015 Kokoska D21/794

D741,972 S 10/2015 McDevitt

D816,178 S 4/2018 Goserud

D837,325 S 1/2019 Dardenne

D849,508 S 5/2019 Shorr

D872,817 S * 1/2020 Peterson D21/794

2011/0053711 A1 3/2011 Trafford

2012/0210615 A1 8/2012 Coney

2015/0065271 A1 3/2015 Peterson

2017/0087436 A1 3/2017 Peterson

2017/0164152 A1 6/2017 Rosenthal

2018/0345101 A1 12/2018 Youn

OTHER PUBLICATIONS

U.S. Appl. No. 29/672,877, Notice of Allowance dated Jun. 4, 2020,
11 pp.

* cited by examiner

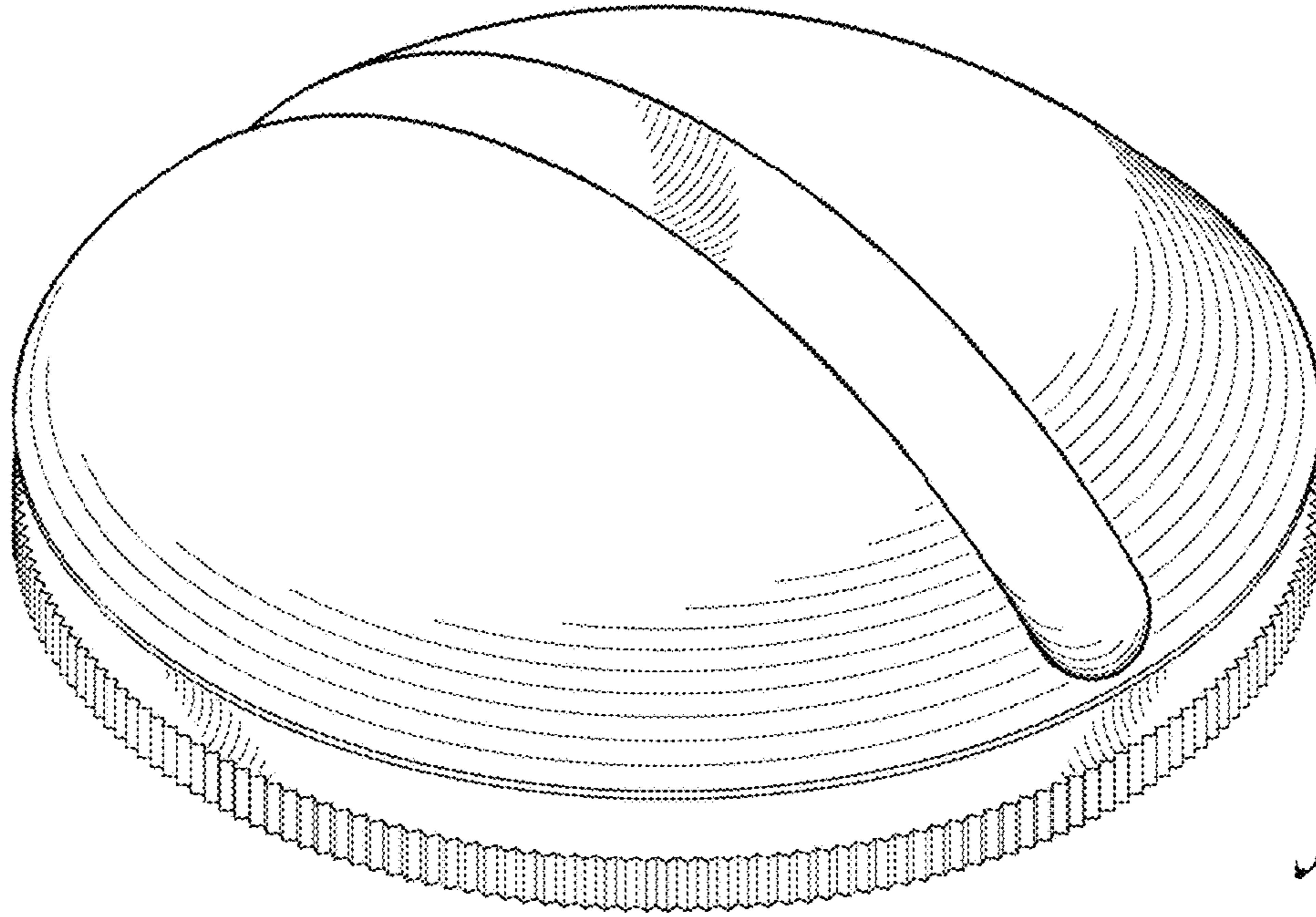


Fig. 1

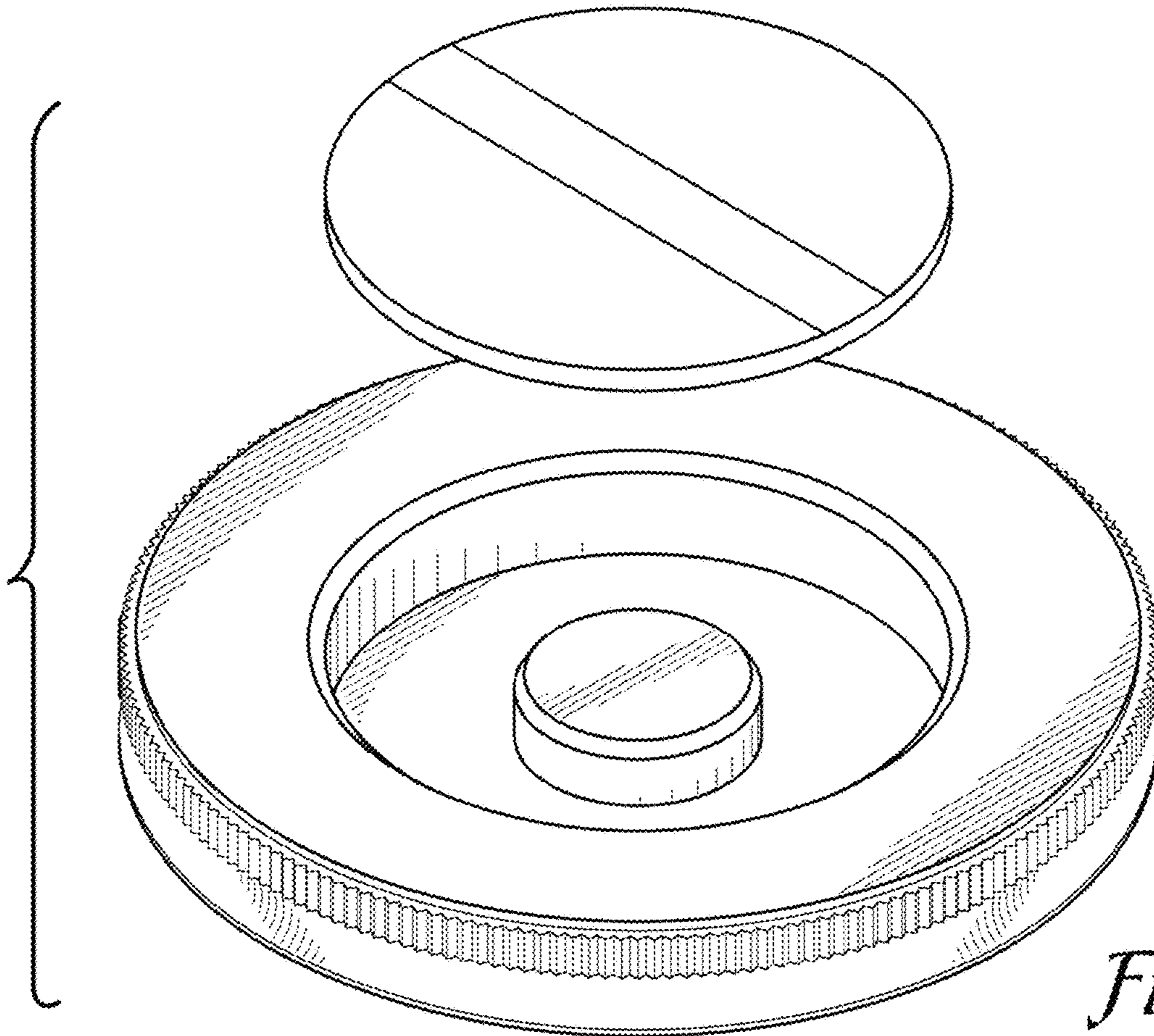


Fig. 2

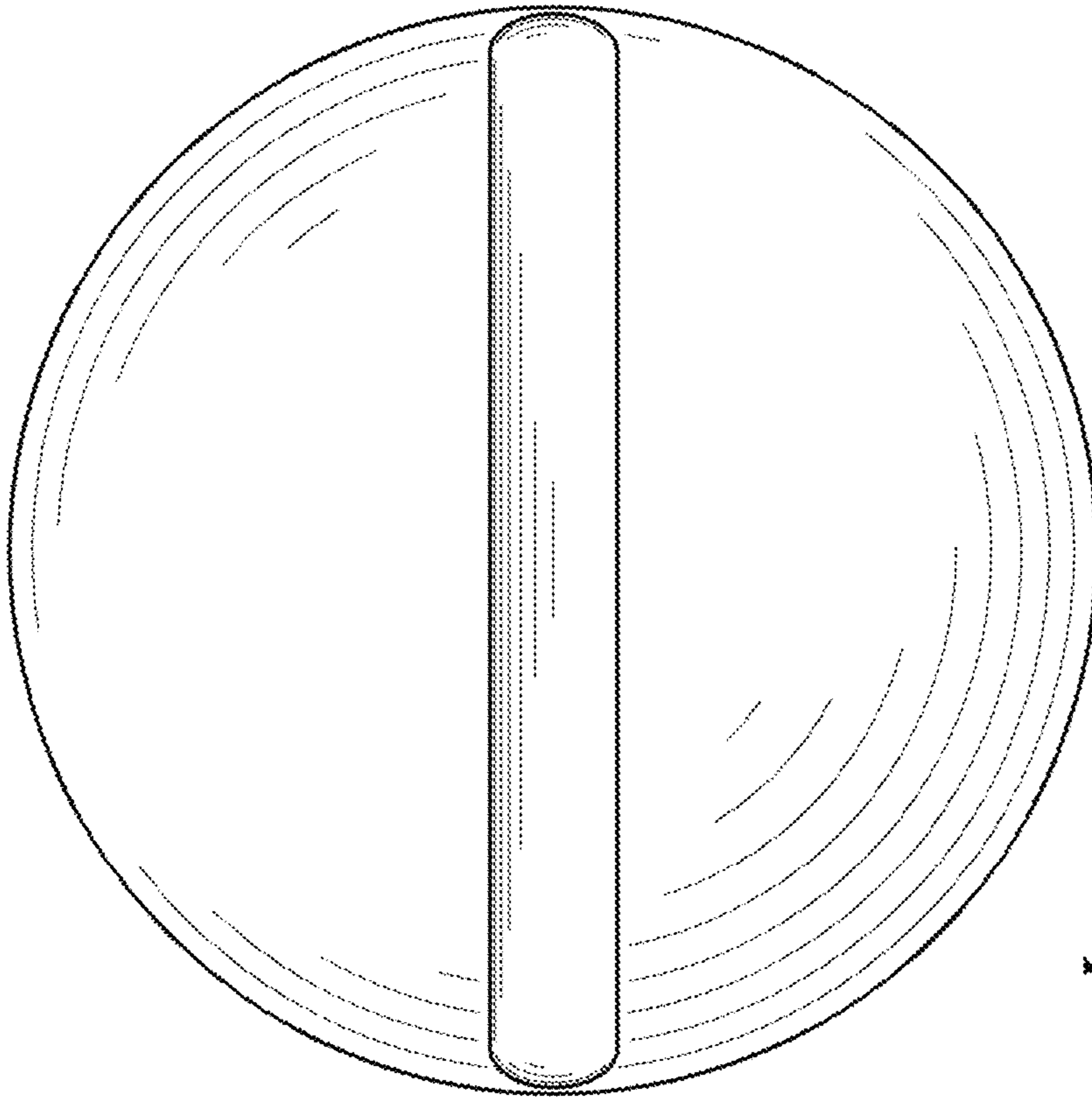


Fig. 3

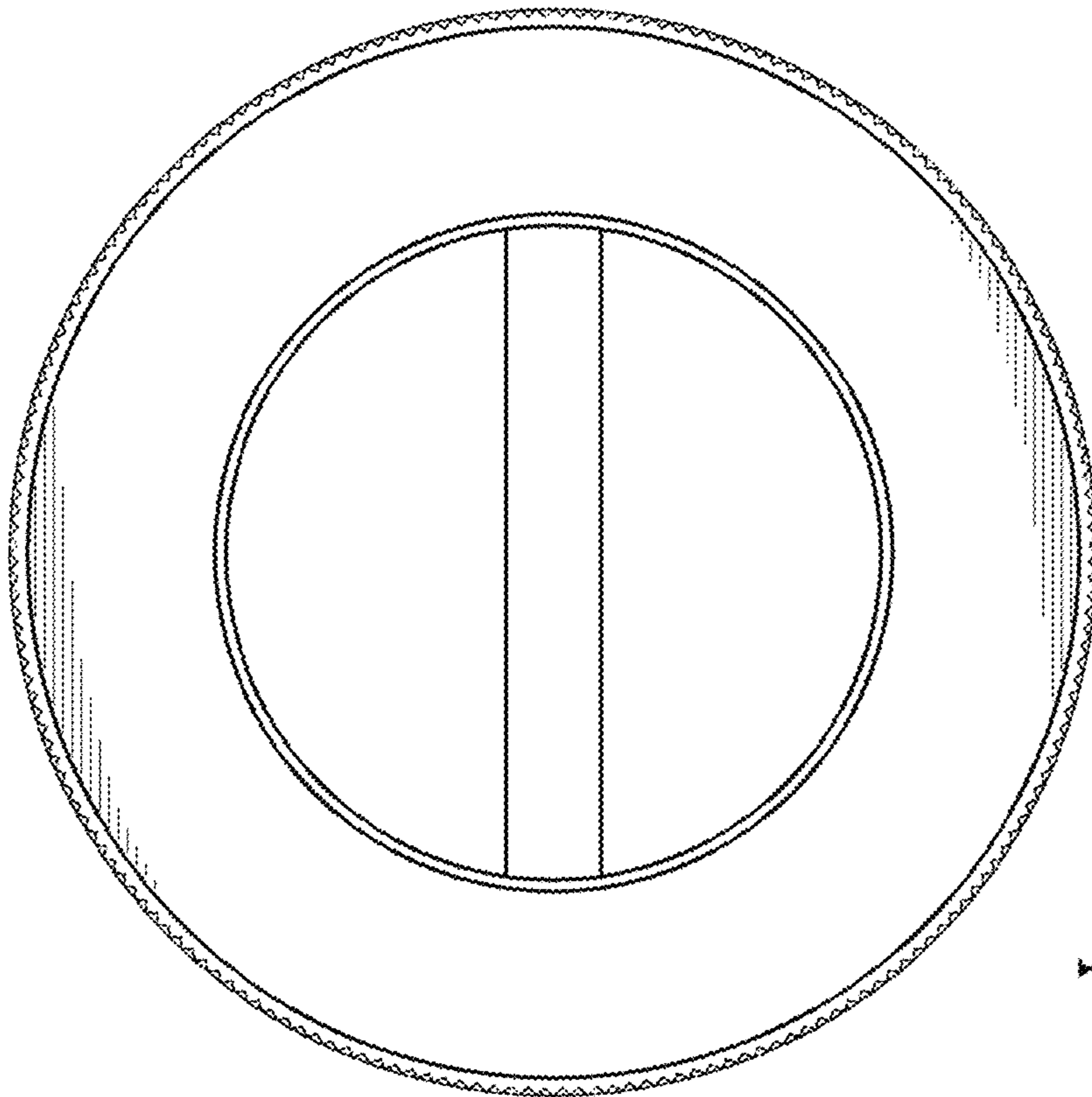


Fig. 4

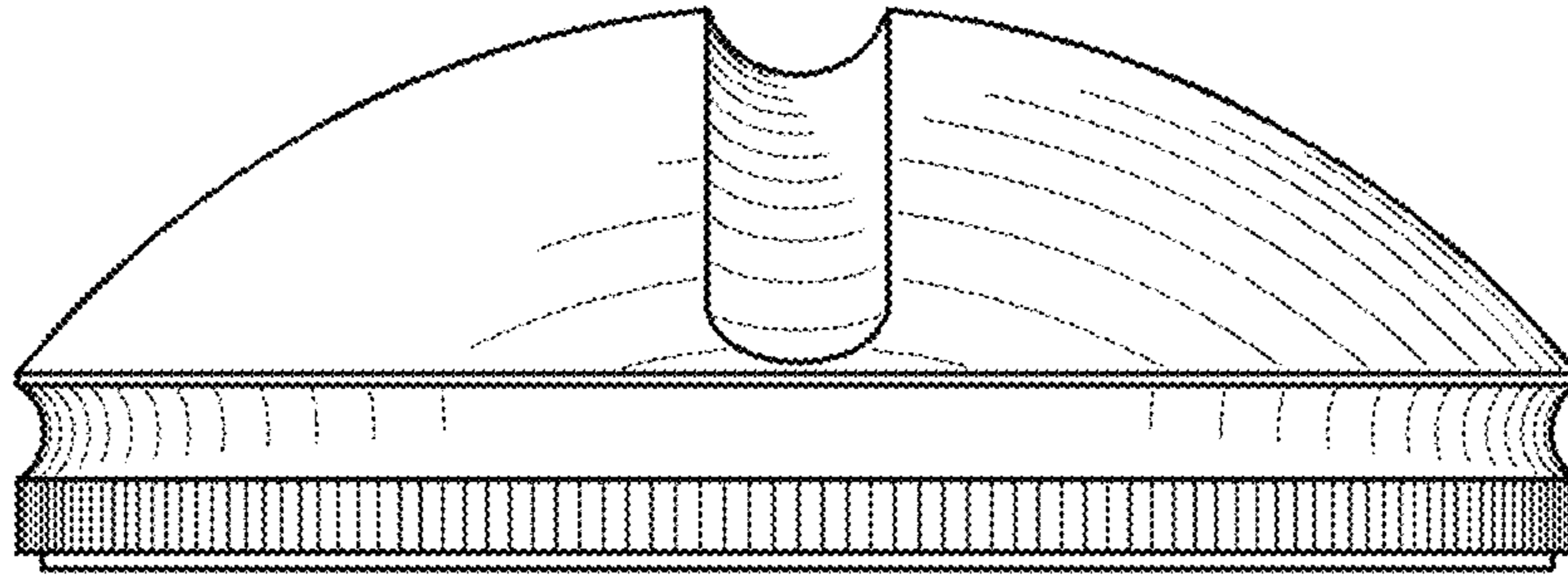


Fig. 5

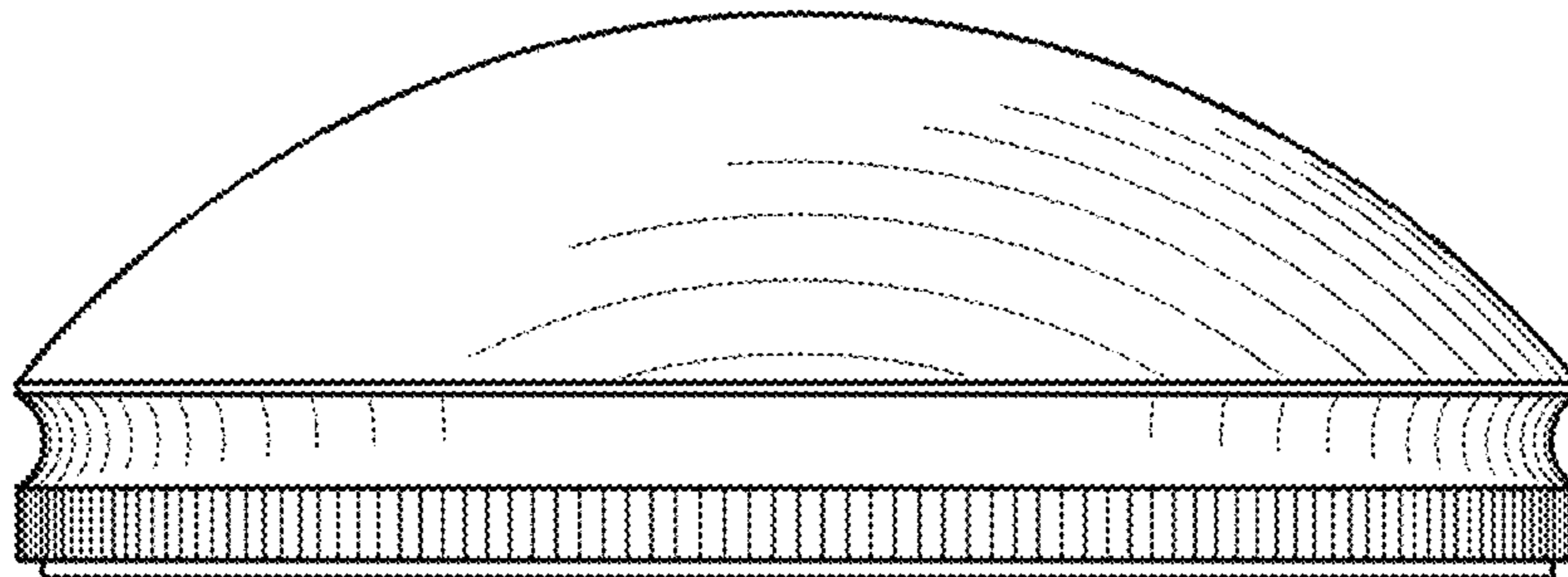


Fig. 6

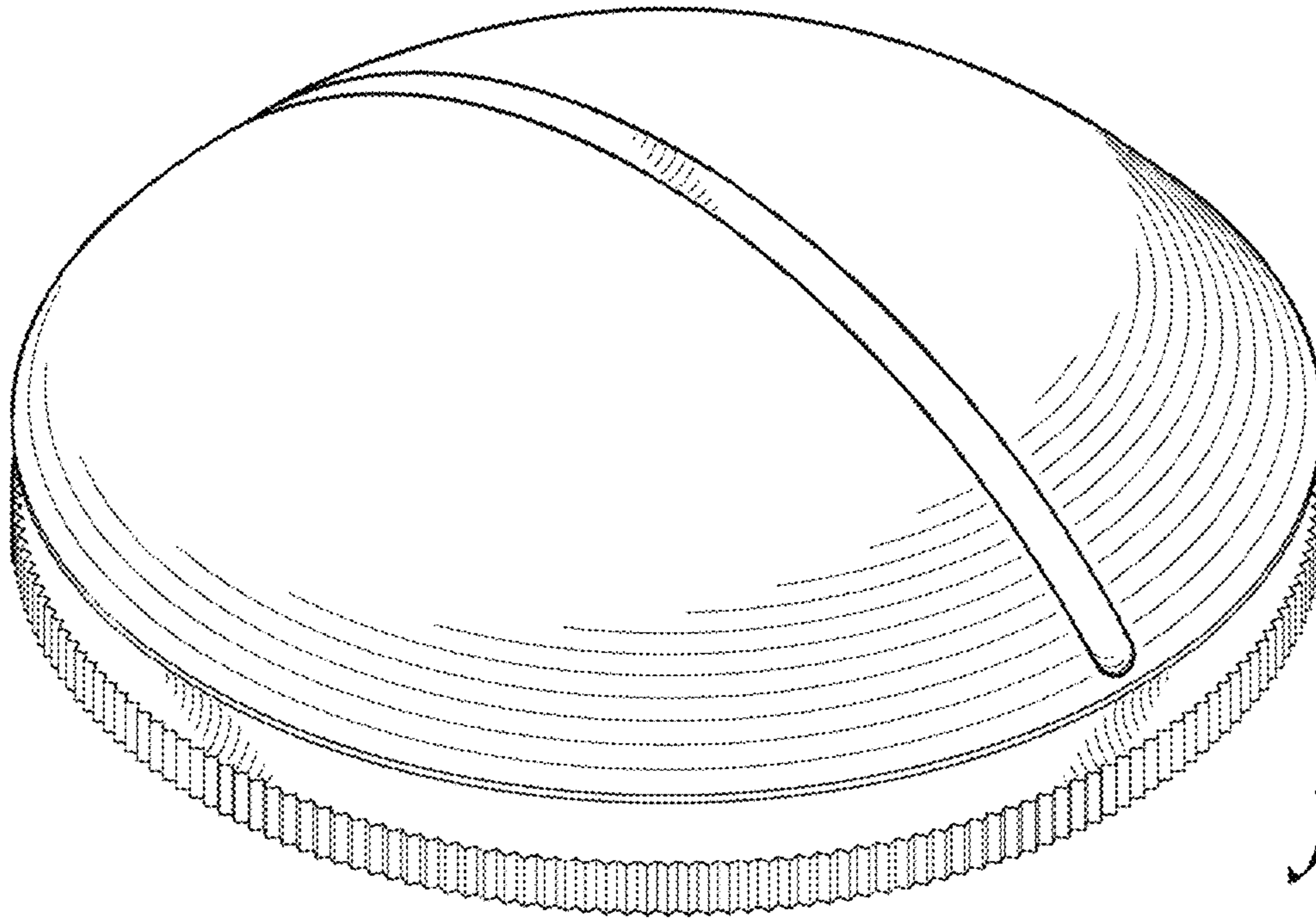


Fig. 7

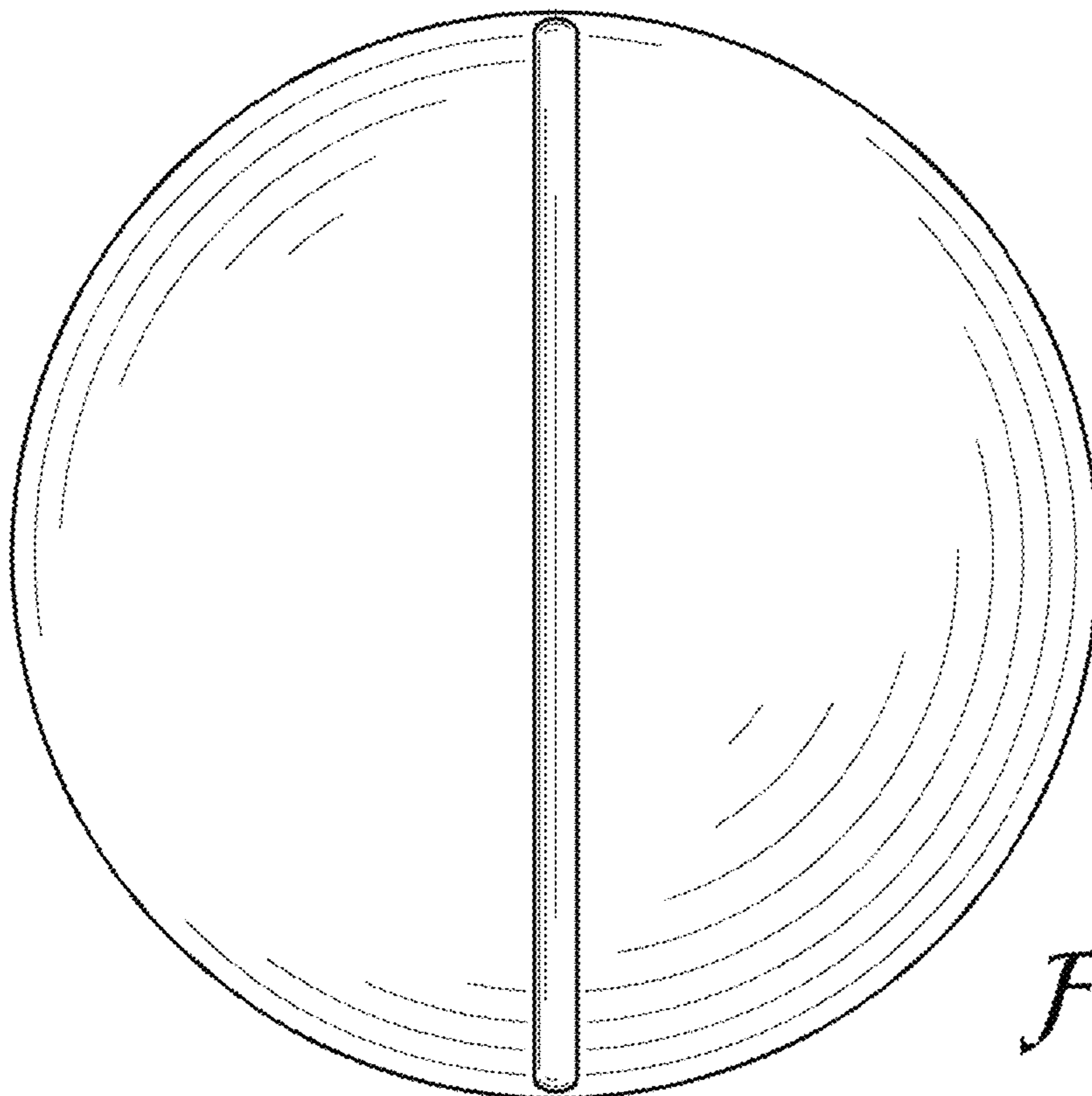


Fig. 8

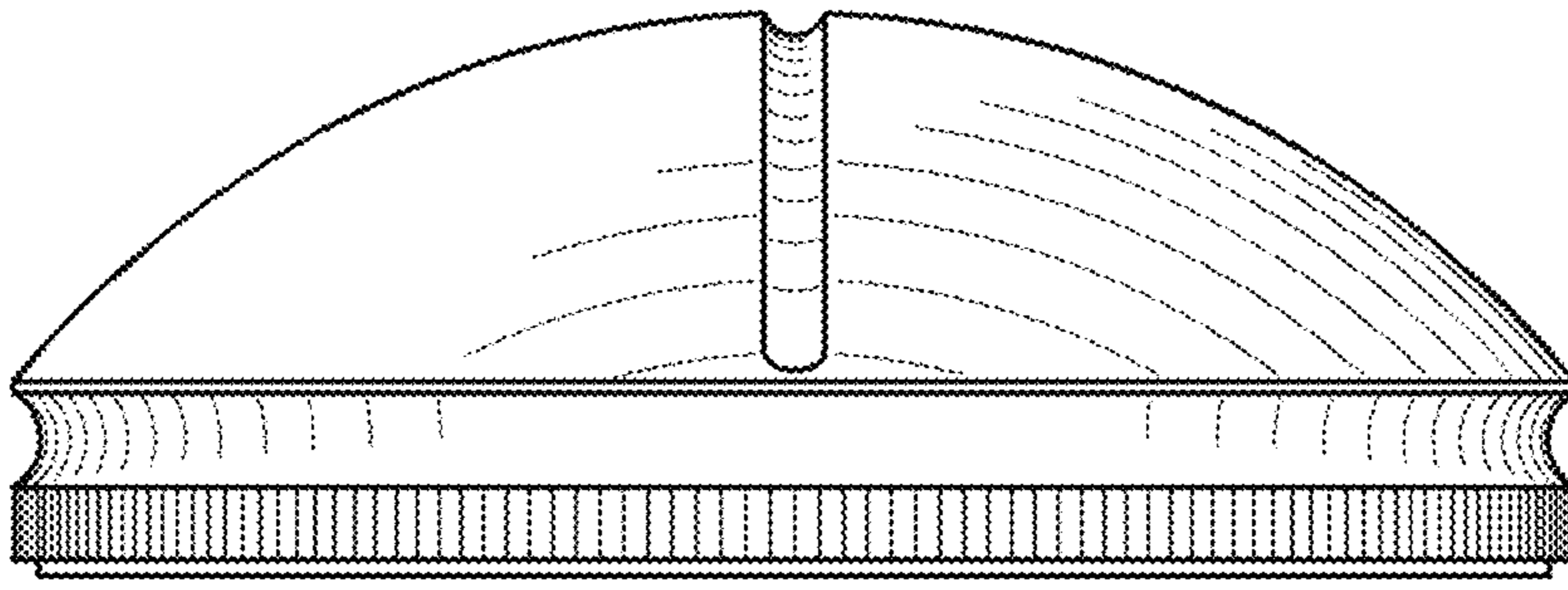


Fig. 9

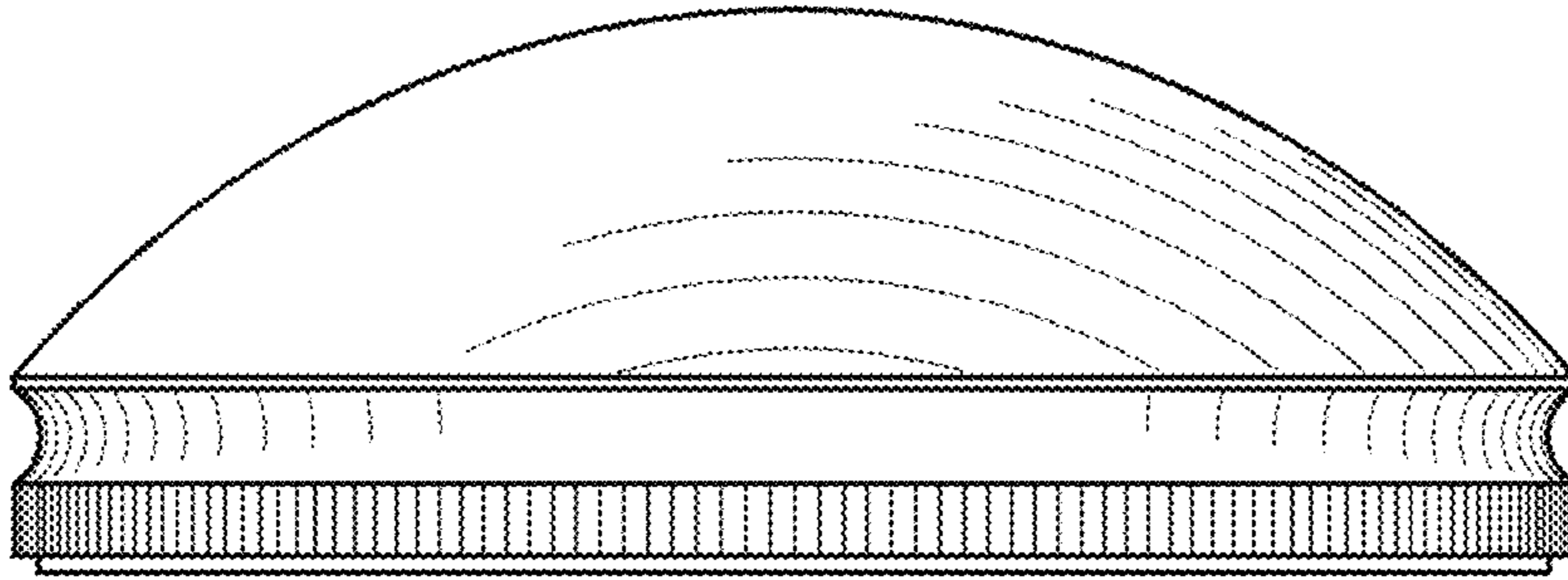


Fig. 10

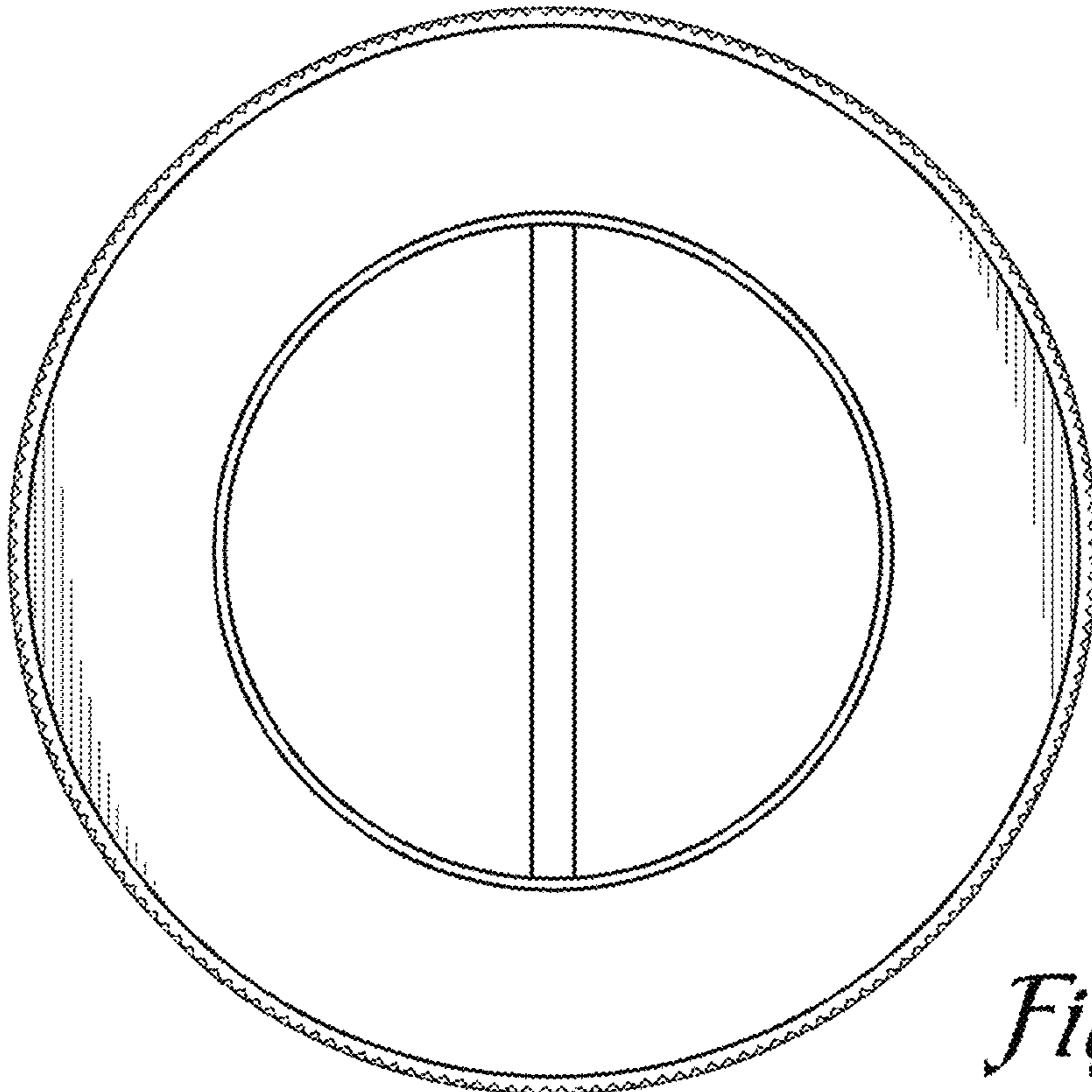


Fig. 11

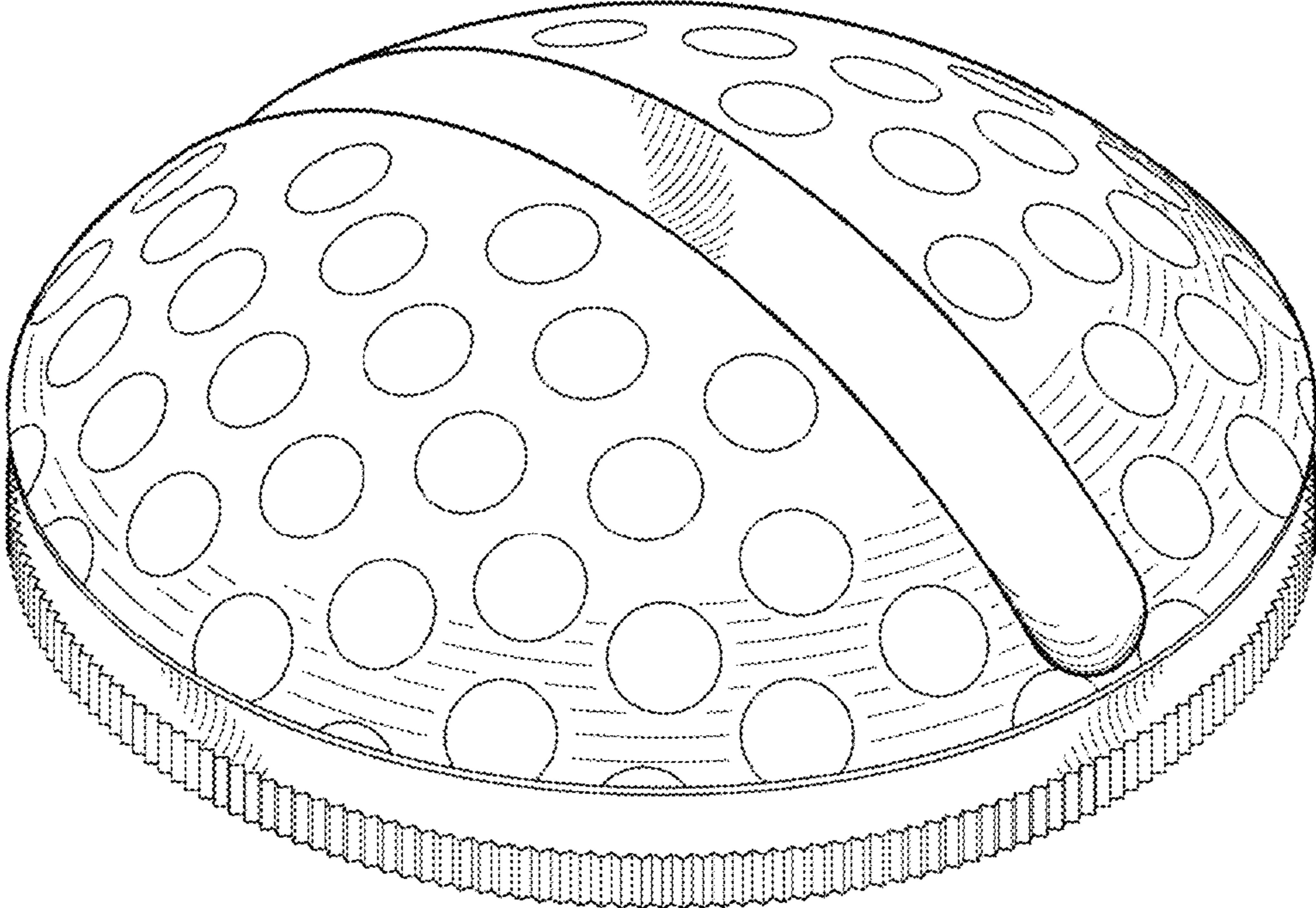


Fig. 12

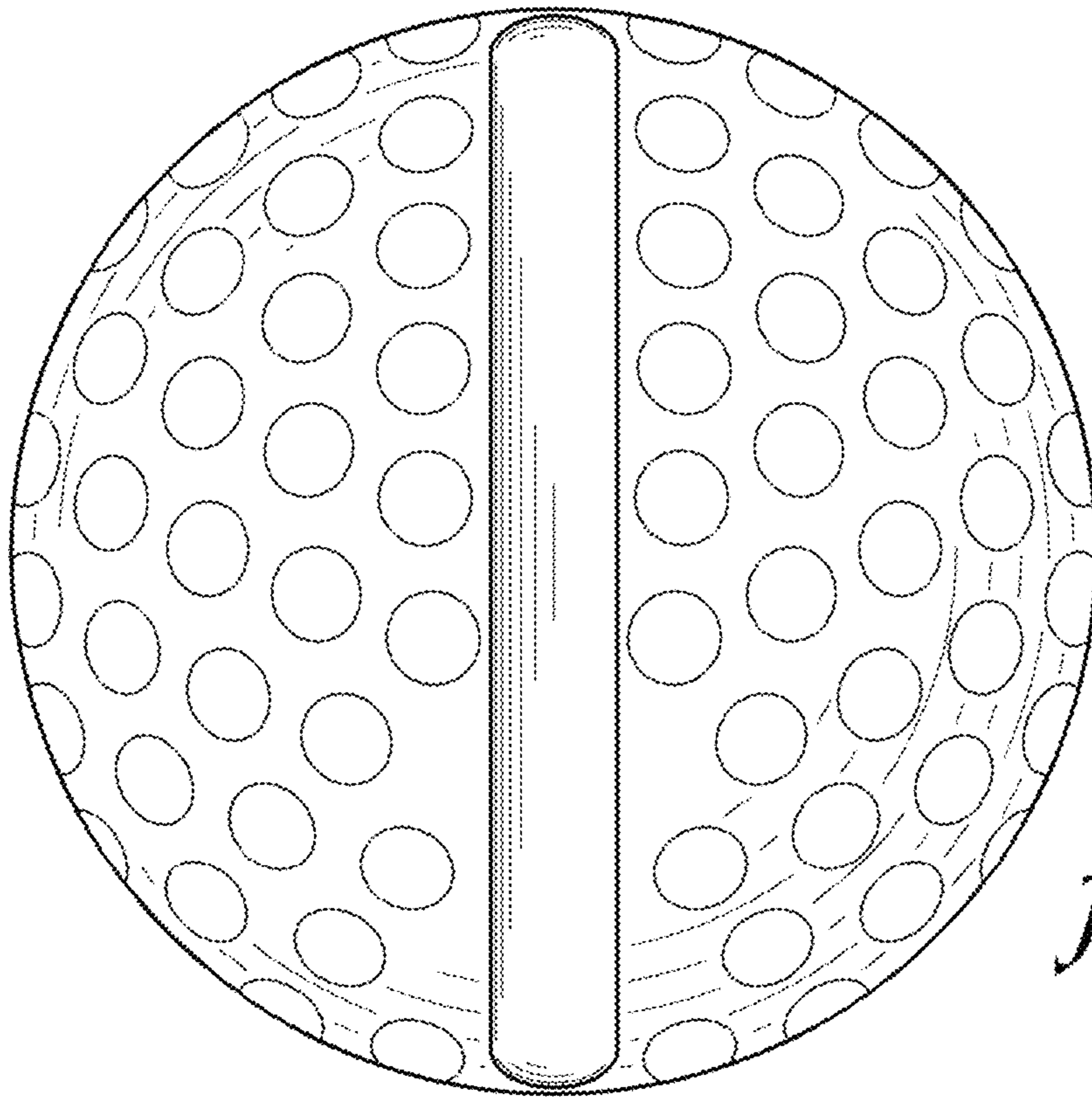


Fig. 13

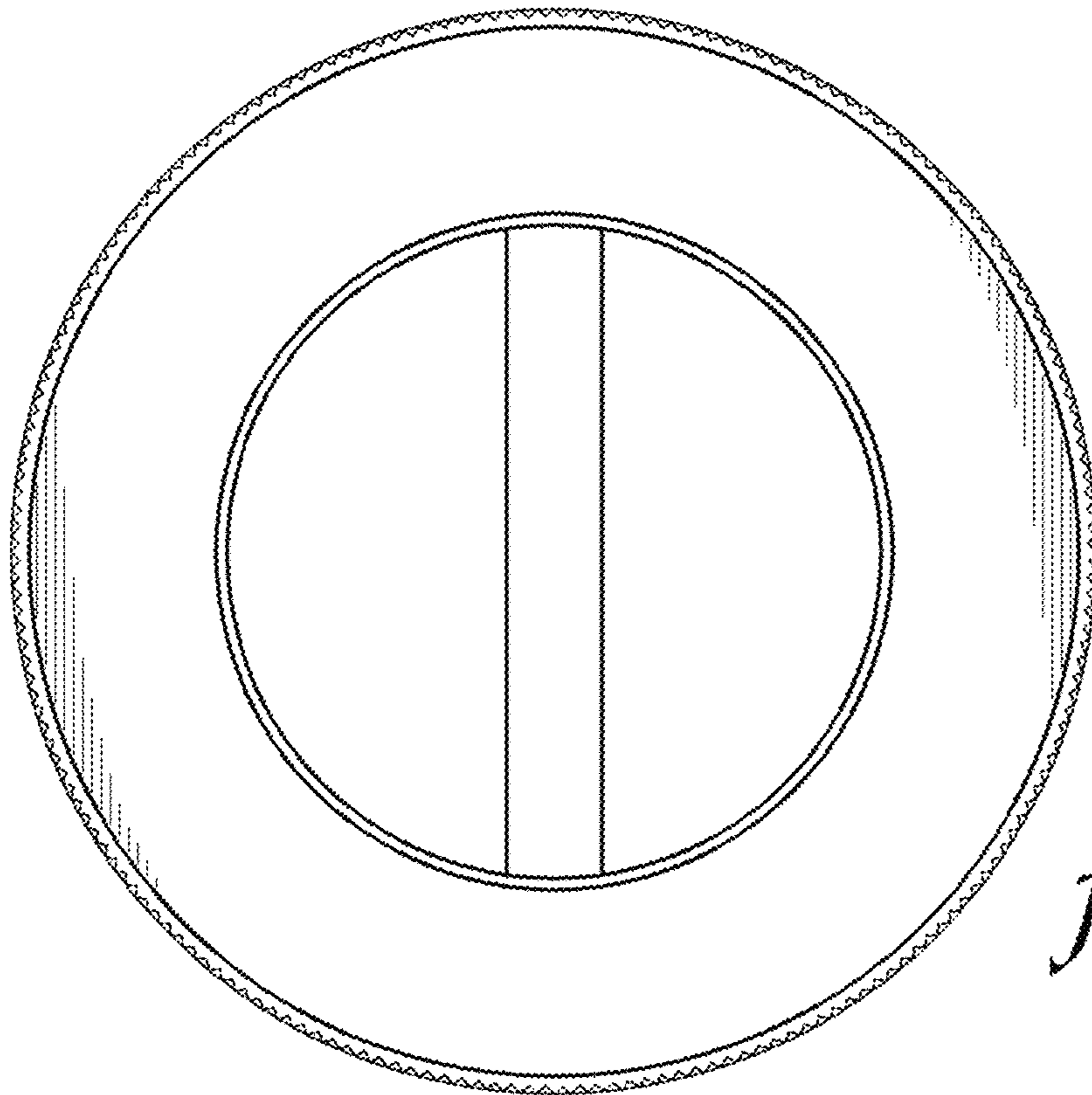


Fig. 14

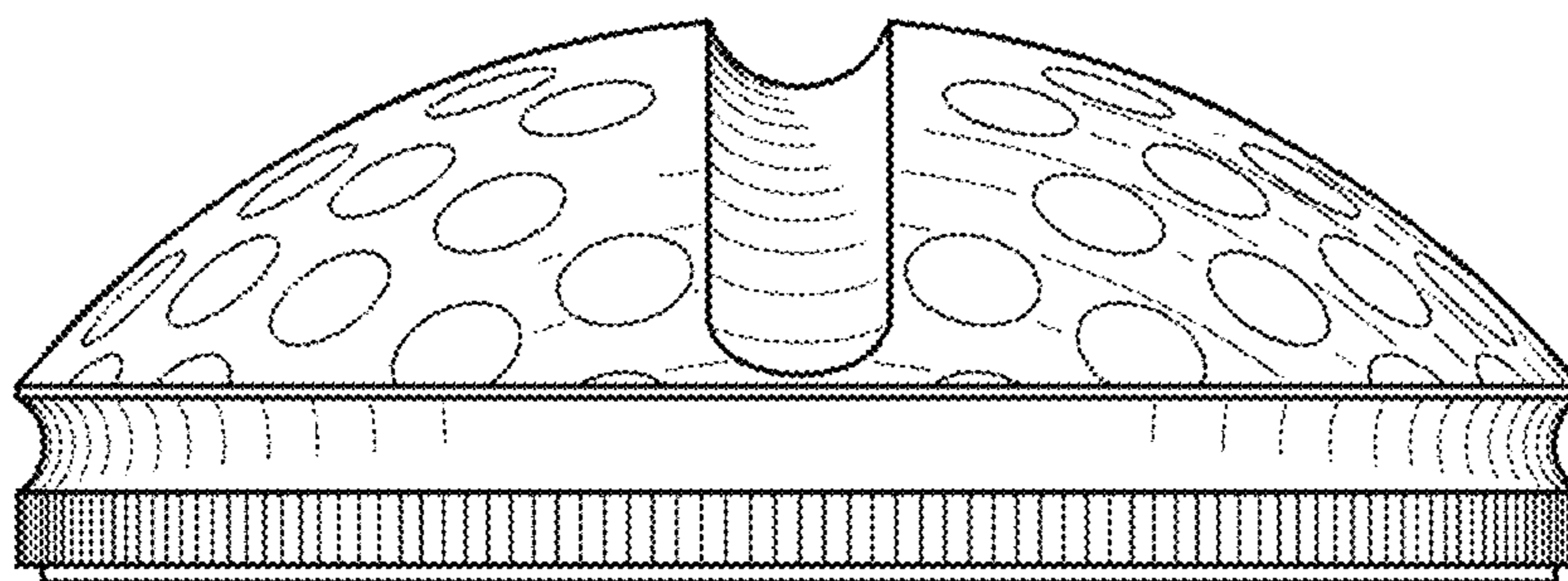


Fig. 15

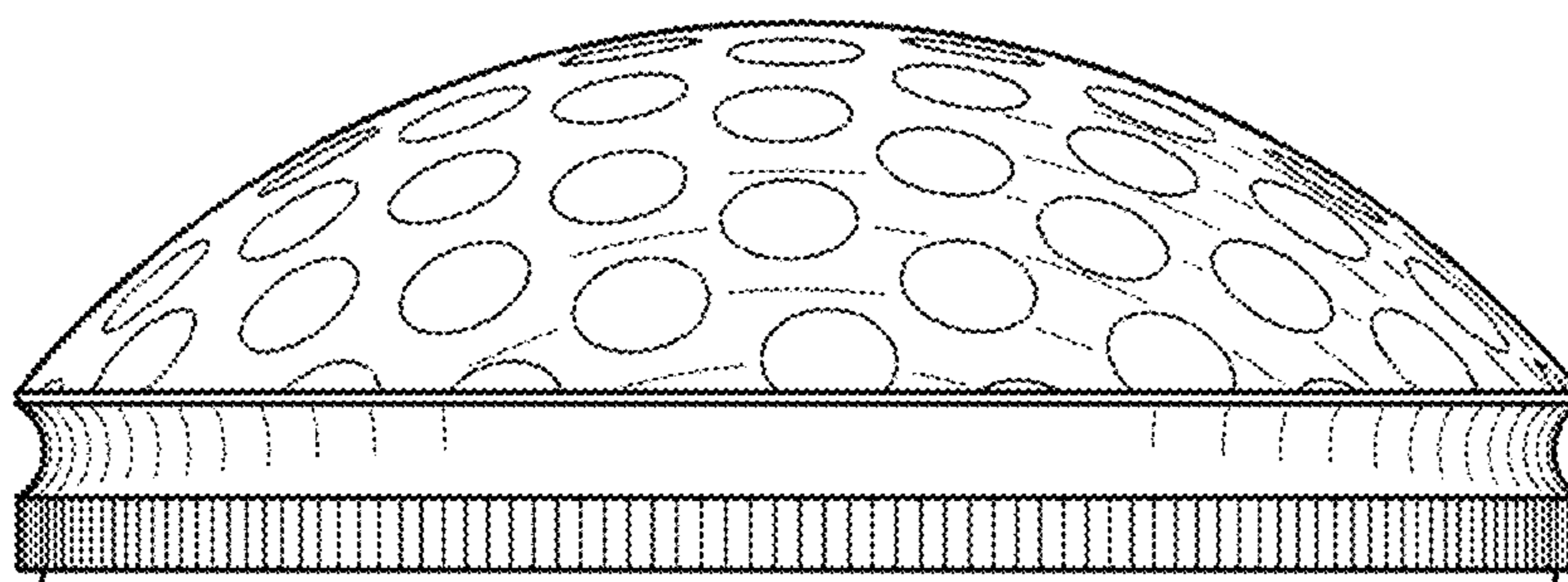


Fig. 16

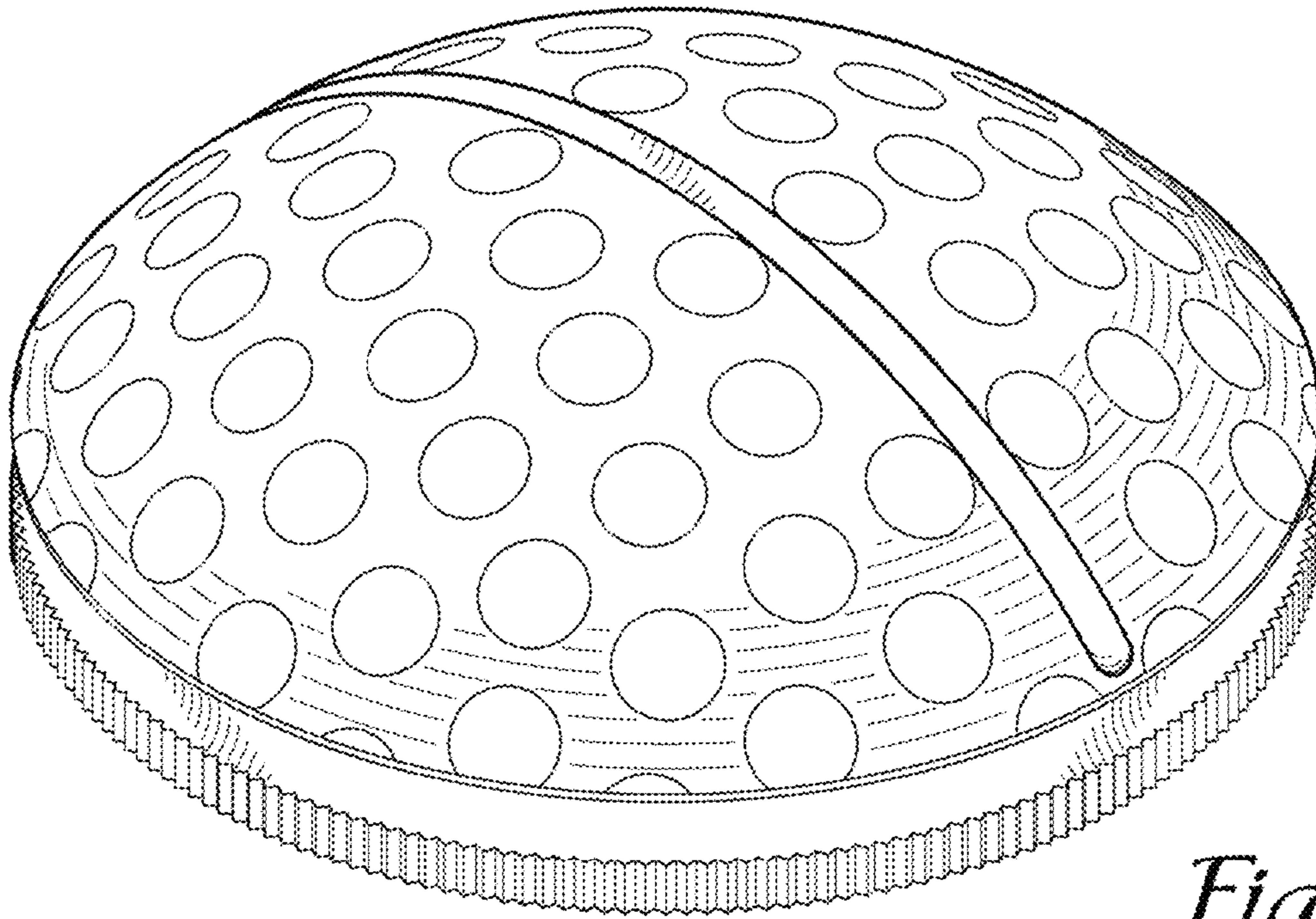


Fig. 17

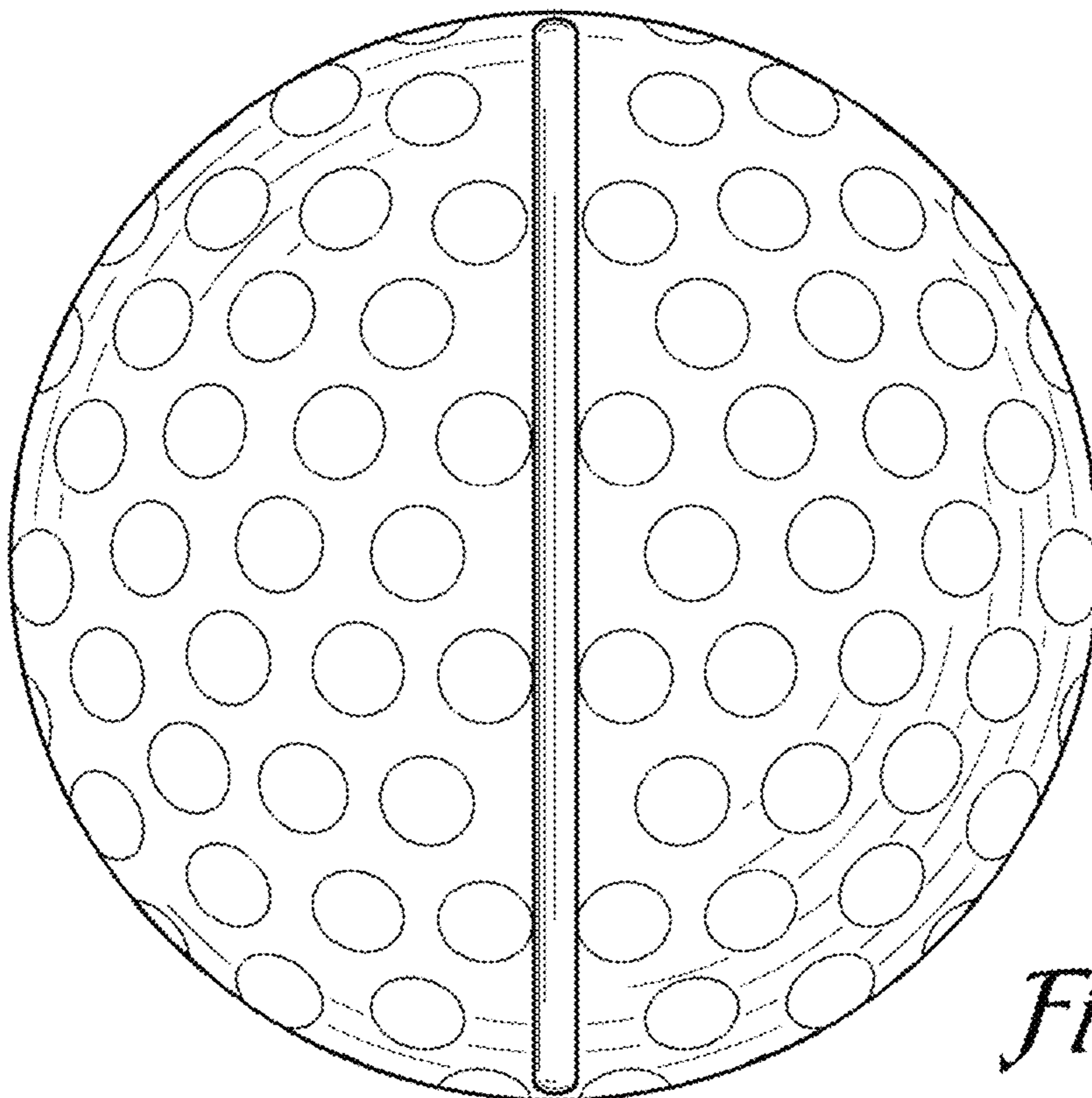


Fig. 18

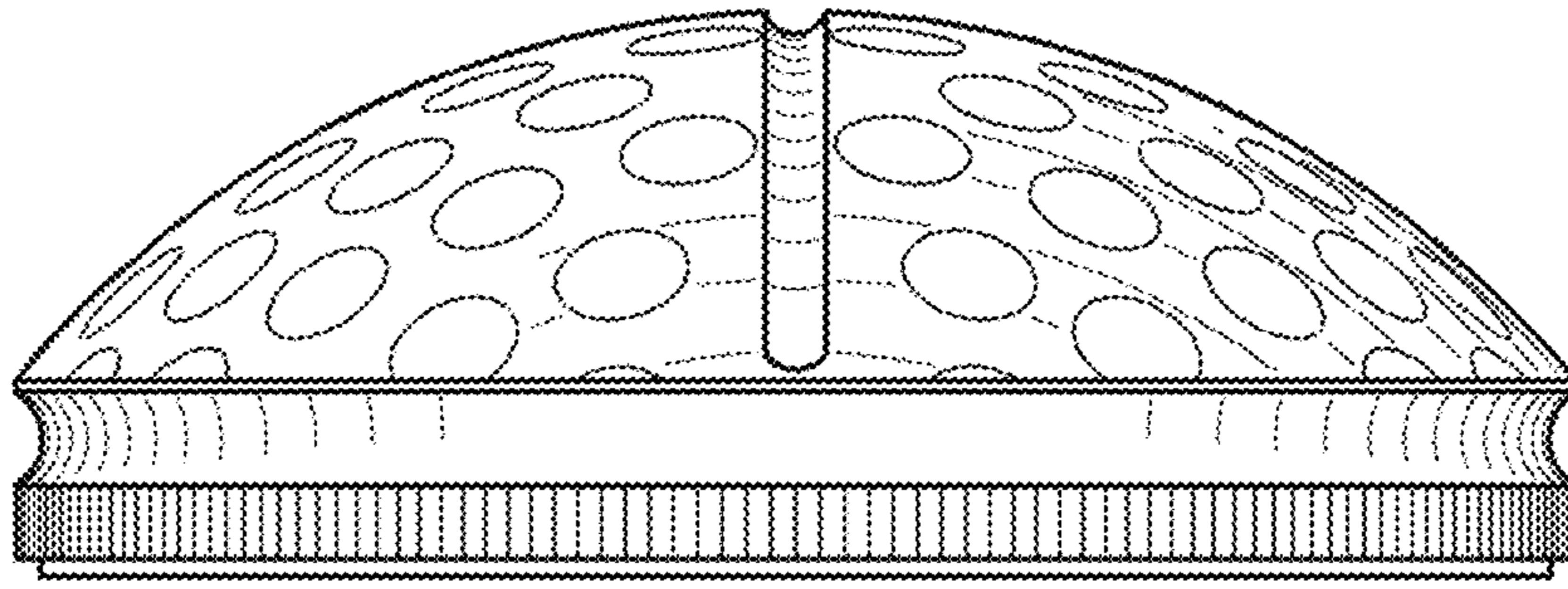


Fig. 19

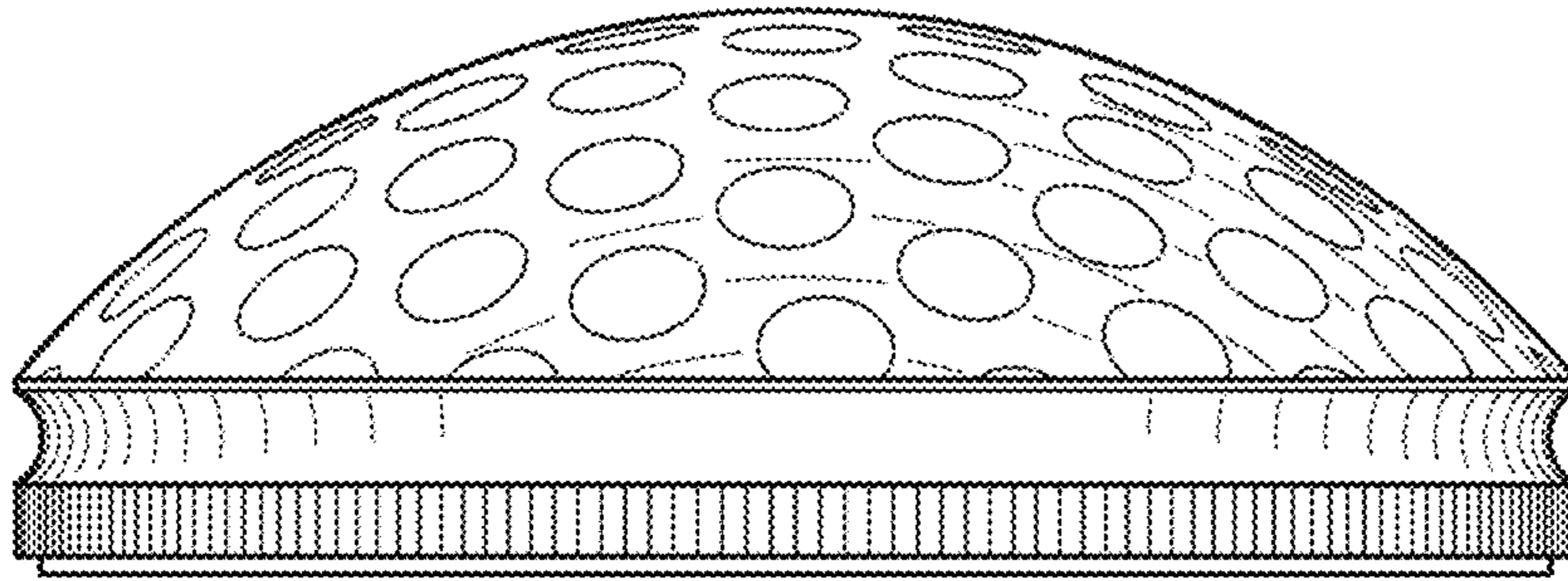


Fig. 20

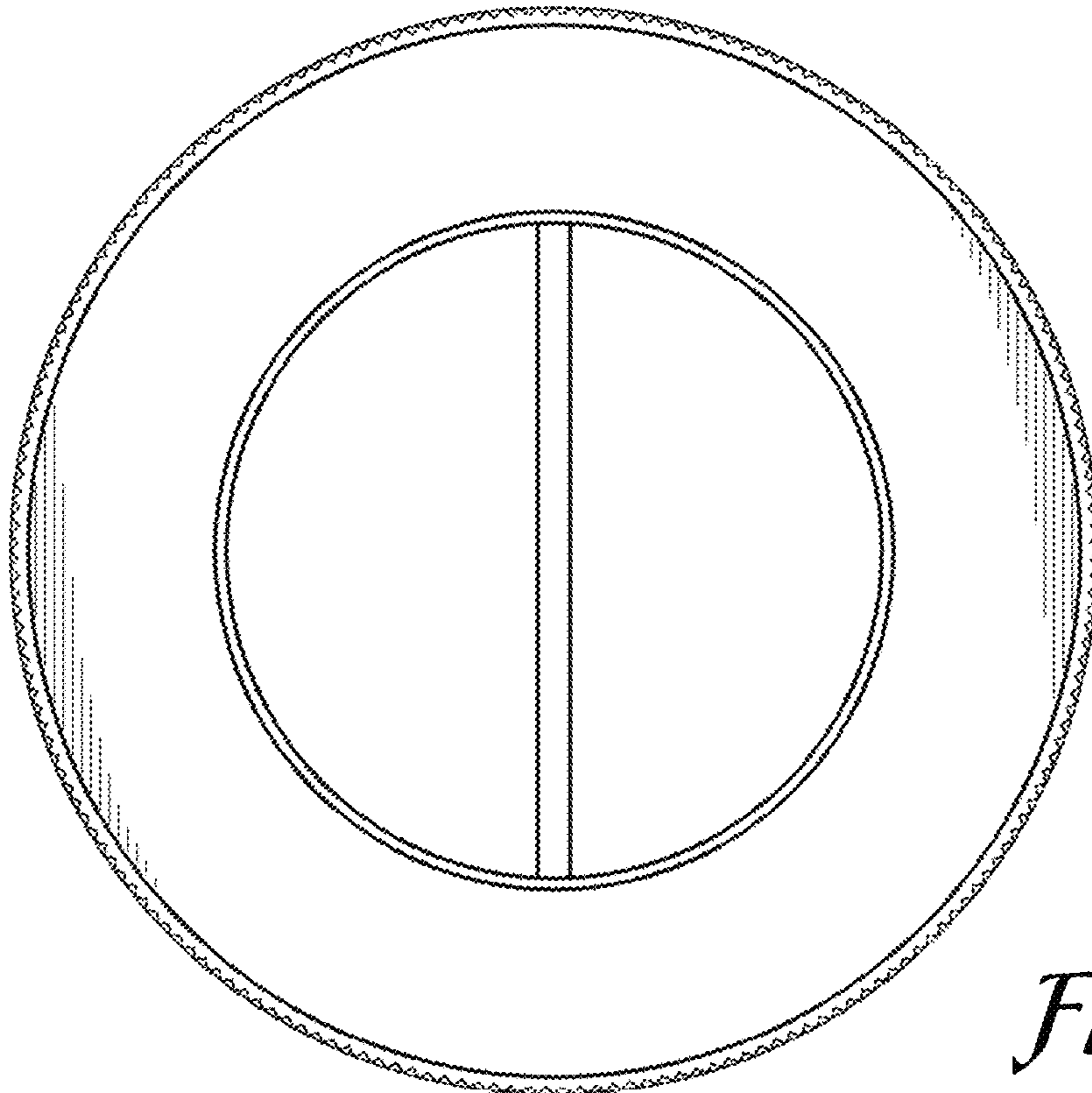


Fig. 21