



US00D907152S

(12) **United States Design Patent** (10) **Patent No.:** **US D907,152 S**
Windover (45) **Date of Patent:** **** Jan. 5, 2021**

(54) **POOL CUE CHALK HOLDER**

(71) Applicant: **Jeffrey Windover**, Bridgenorth (CA)

(72) Inventor: **Jeffrey Windover**, Bridgenorth (CA)

(**) Term: **15 Years**

(21) Appl. No.: **29/688,716**

(22) Filed: **Apr. 24, 2019**

(51) **LOC (13) Cl.** **21-01**

(52) **U.S. Cl.**
 USPC **D21/782**

(58) **Field of Classification Search**
 USPC D21/386, 726, 782, 784; D8/324, 325,
 D8/326, 327, 328, 349, 356, 358, 376,
 D8/380, 382, 499; D2/639, 837, 853;
 D6/522; D15/5; D19/158, 159, 160, 81,
 D19/99, 100; 211/68; 473/42, 44, 48;
 351/138
 CPC A63D 15/105; A63D 15/086; A63D 15/08;
 A63D 15/00; A63D 15/10
 See application file for complete search history.

5,004,233 A 4/1991 Phillips
 5,046,728 A 9/1991 Haddock
 D334,815 S * 4/1993 Bunger D21/501
 5,328,411 A 7/1994 Thornton, II
 5,382,196 A 1/1995 Lodrick
 D369,740 S * 5/1996 Phillips D8/380
 D389,733 S * 1/1998 Nakamura D8/382
 D394,999 S * 6/1998 Phillip D8/380
 D400,428 S * 11/1998 Sabounjian D8/382
 5,846,137 A * 12/1998 Tremblay A63D 15/105
 473/42
 5,853,333 A * 12/1998 Patterson A63D 15/105
 473/42
 D422,204 S * 4/2000 Holloway D8/356
 D448,280 S * 9/2001 Bourgerie D8/382
 D453,364 S * 2/2002 Brothers D21/726
 D455,950 S * 4/2002 Unwin D23/262

(Continued)

Primary Examiner — Sandra Snapp
Assistant Examiner — Mehri Bajoul

(57) **CLAIM**

The ornamental design for a pool cue chalk holder, as shown and described.

DESCRIPTION

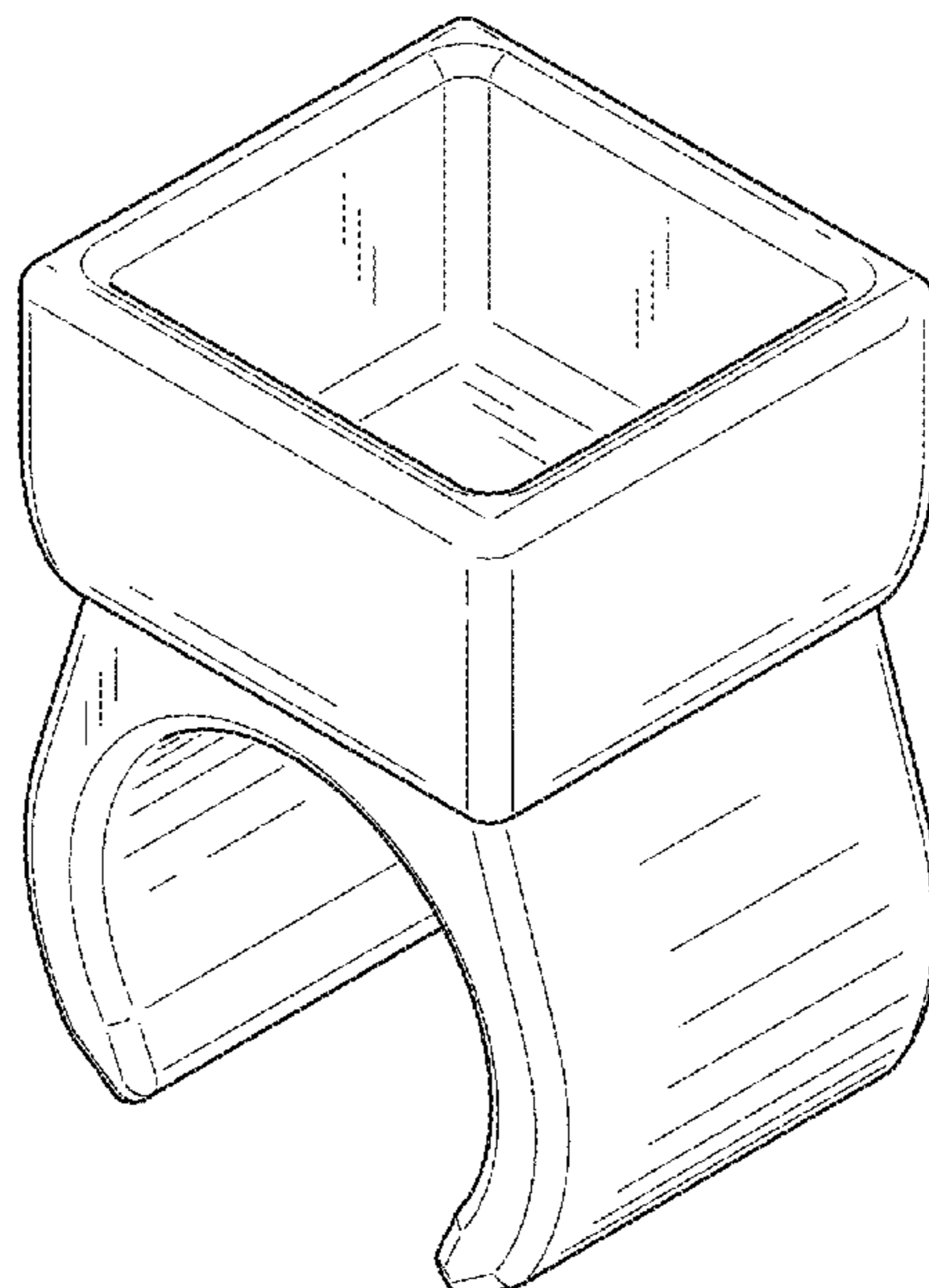
FIG. 1 is a front view of a pool cue chalk holder showing my new design;
 FIG. 2 is a rear view of the pool cue chalk holder;
 FIG. 3 is a right side view of the pool cue chalk holder;
 FIG. 4 is a left side view of the pool cue chalk holder;
 FIG. 5 is a top view of the pool cue chalk holder;
 FIG. 6 is a bottom view of the pool cue chalk holder;
 FIG. 7 is a top front side perspective view of the pool cue chalk holder; and,
 FIG. 8 is a top front side perspective view of the pool cue chalk holder in use.
 The broken lines in FIG. 8 are illustrative of environmental structure forming no part of the claimed design.

1 Claim, 4 Drawing Sheets

(56) **References Cited**

U.S. PATENT DOCUMENTS

552,171 A 12/1895 Farnham
 561,659 A 6/1896 Currier
 639,427 A 12/1899 McLarty
 965,444 A 7/1910 Dahl
 1,957,549 A 5/1934 Matteson
 3,323,798 A 6/1967 Miller
 D239,298 S * 3/1976 Turner D21/782
 D248,347 S * 7/1978 McCollum D22/147
 4,538,809 A * 9/1985 Boomer A63D 15/16
 473/36
 D300,235 S * 3/1989 Nicotra D21/726
 4,953,770 A 9/1990 Bond, Sr.
 D312,290 S * 11/1990 Rodriguez D21/726



(56)

References Cited

U.S. PATENT DOCUMENTS

6,419,588 B1 * 7/2002 Watlack A63D 15/105
473/1
D479,798 S * 9/2003 Wall D25/119
6,769,189 B1 * 8/2004 Morello A63D 15/16
30/494
D534,610 S * 1/2007 Weinstein D21/726
D576,025 S * 9/2008 Mazzocco D8/382
7,628,706 B2 12/2009 Xie
D628,050 S * 11/2010 Petersen D8/356
D645,926 S * 9/2011 Rydquist D21/782
D702,967 S * 4/2014 Mathis D6/552
D732,009 S * 6/2015 Bak D14/229
D741,701 S * 10/2015 McNeil D8/396
D757,822 S * 5/2016 Bowyer D15/5
D764,616 S * 8/2016 Schiff D21/782
D801,795 S * 11/2017 Huang D8/382
D813,335 S * 3/2018 Lin D21/782
10,099,738 B2 * 10/2018 Beneke B62H 3/12
D843,822 S * 3/2019 Chappus D8/380
D858,260 S * 9/2019 Hanley D8/363
D859,138 S * 9/2019 Thompson D8/394
D859,963 S * 9/2019 Hanley D8/363
D863,428 S * 10/2019 Suess D19/81
D868,571 S * 12/2019 Heindl D8/382
D876,937 S * 3/2020 Heindl D8/382
D892,214 S * 8/2020 Jordan D19/81
2002/0142853 A1 * 10/2002 Porper A63D 15/16
473/35
2009/0186715 A1 * 7/2009 Bush A63D 15/10
473/42
2010/0170863 A1 * 7/2010 Poisson A63D 15/10
211/68
2018/0161662 A1 * 6/2018 Jimenez A63D 15/16
2019/0388773 A1 * 12/2019 Hills A63D 15/105

* cited by examiner

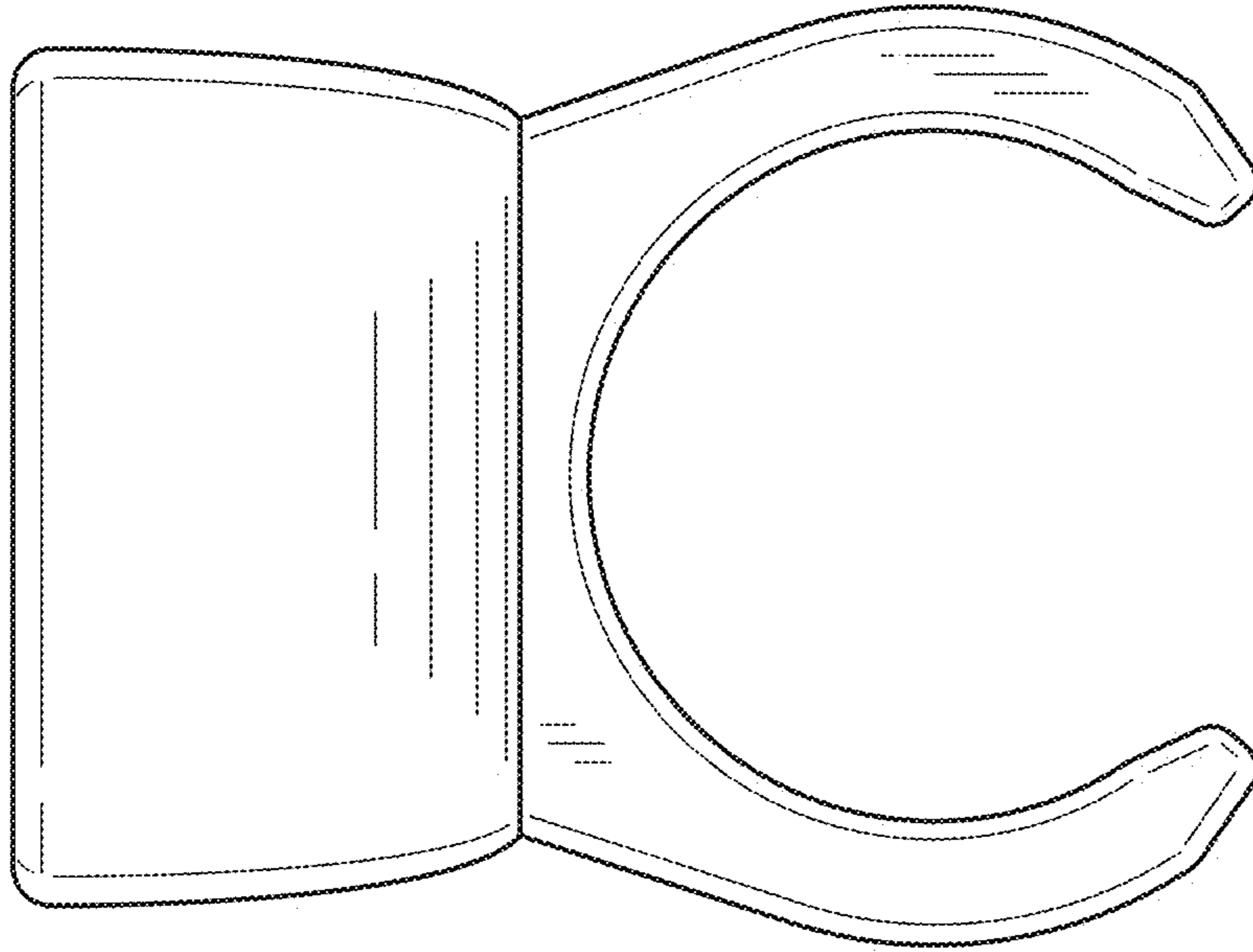


FIG. 2

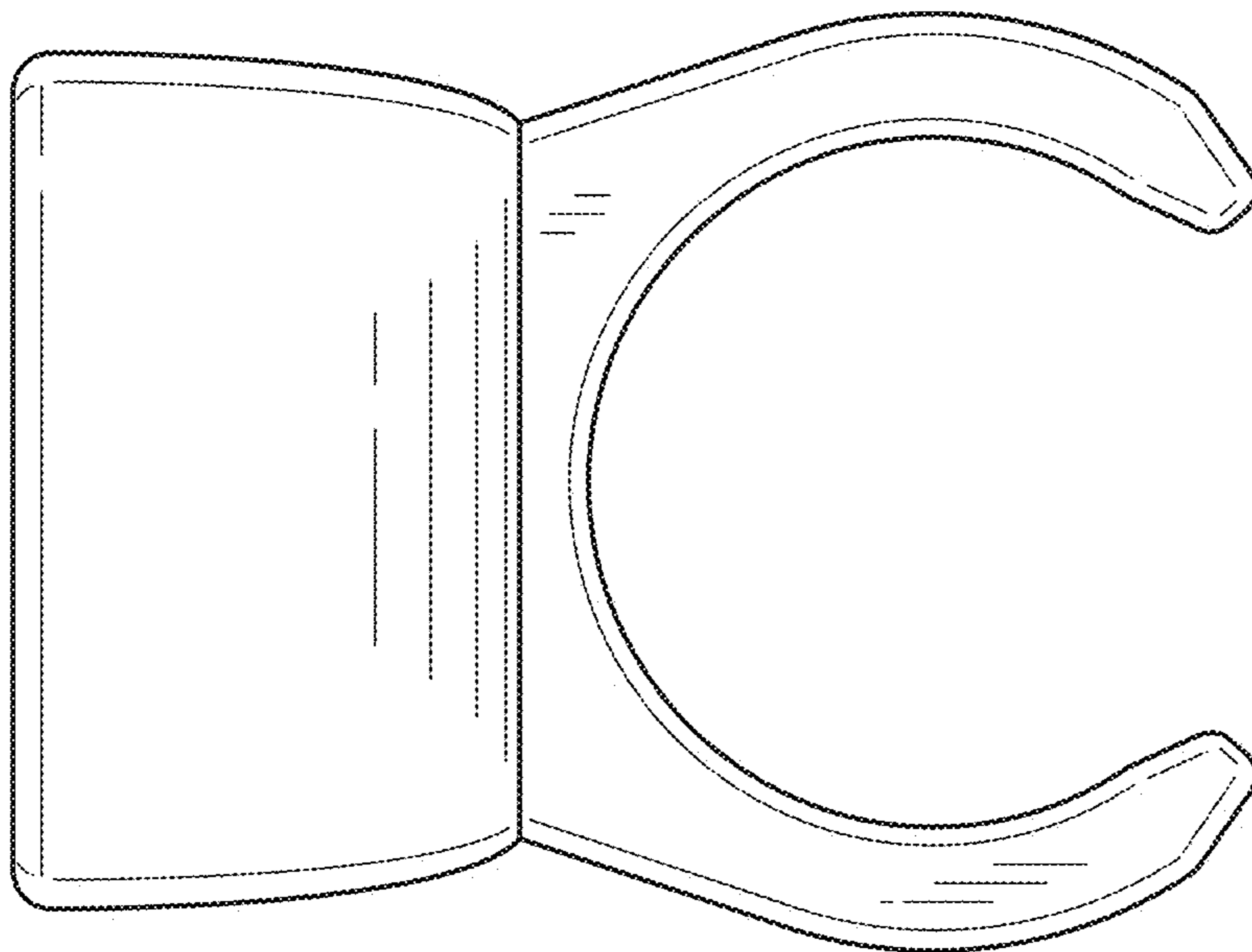


FIG. 1

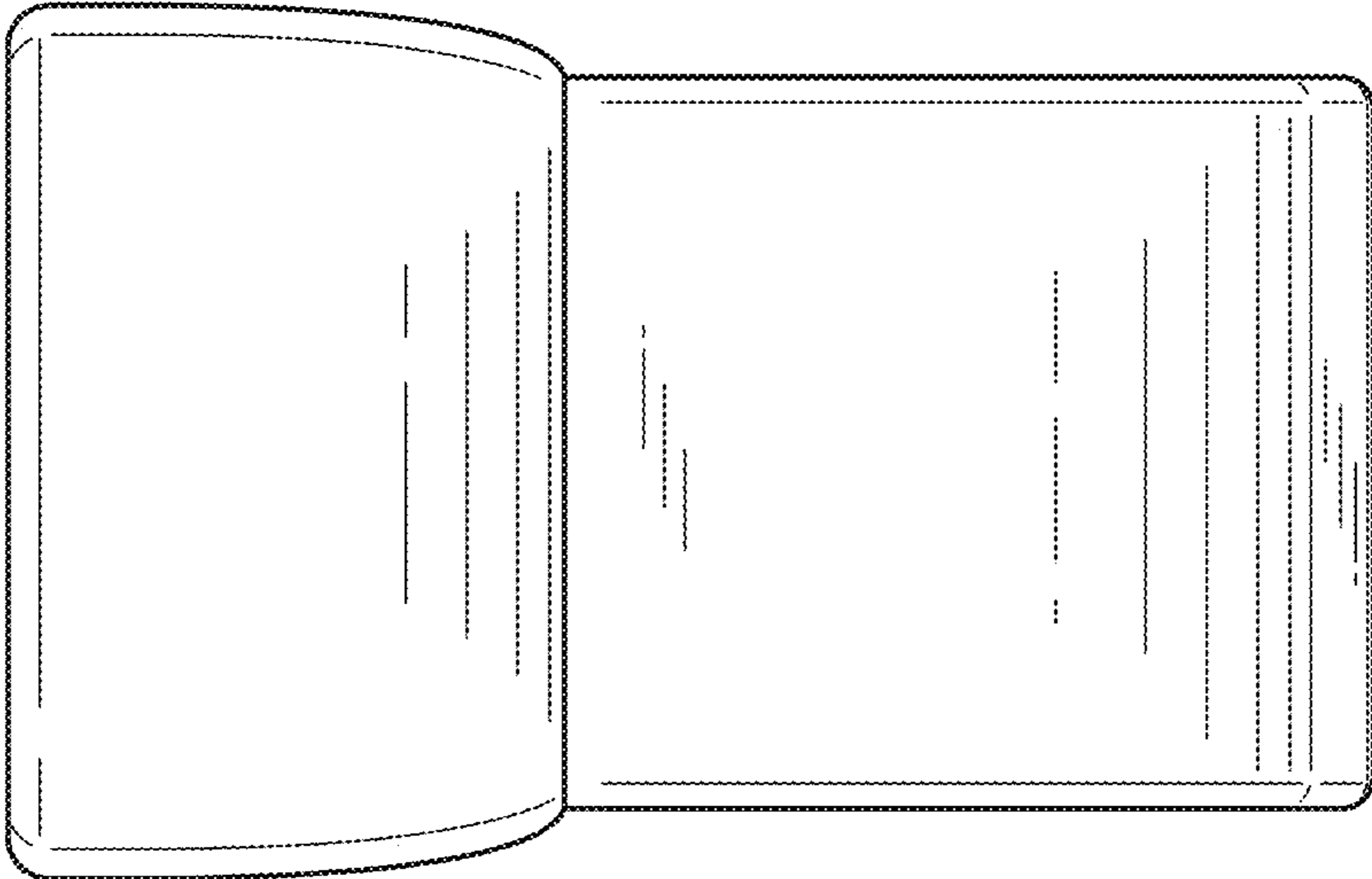


FIG. 4

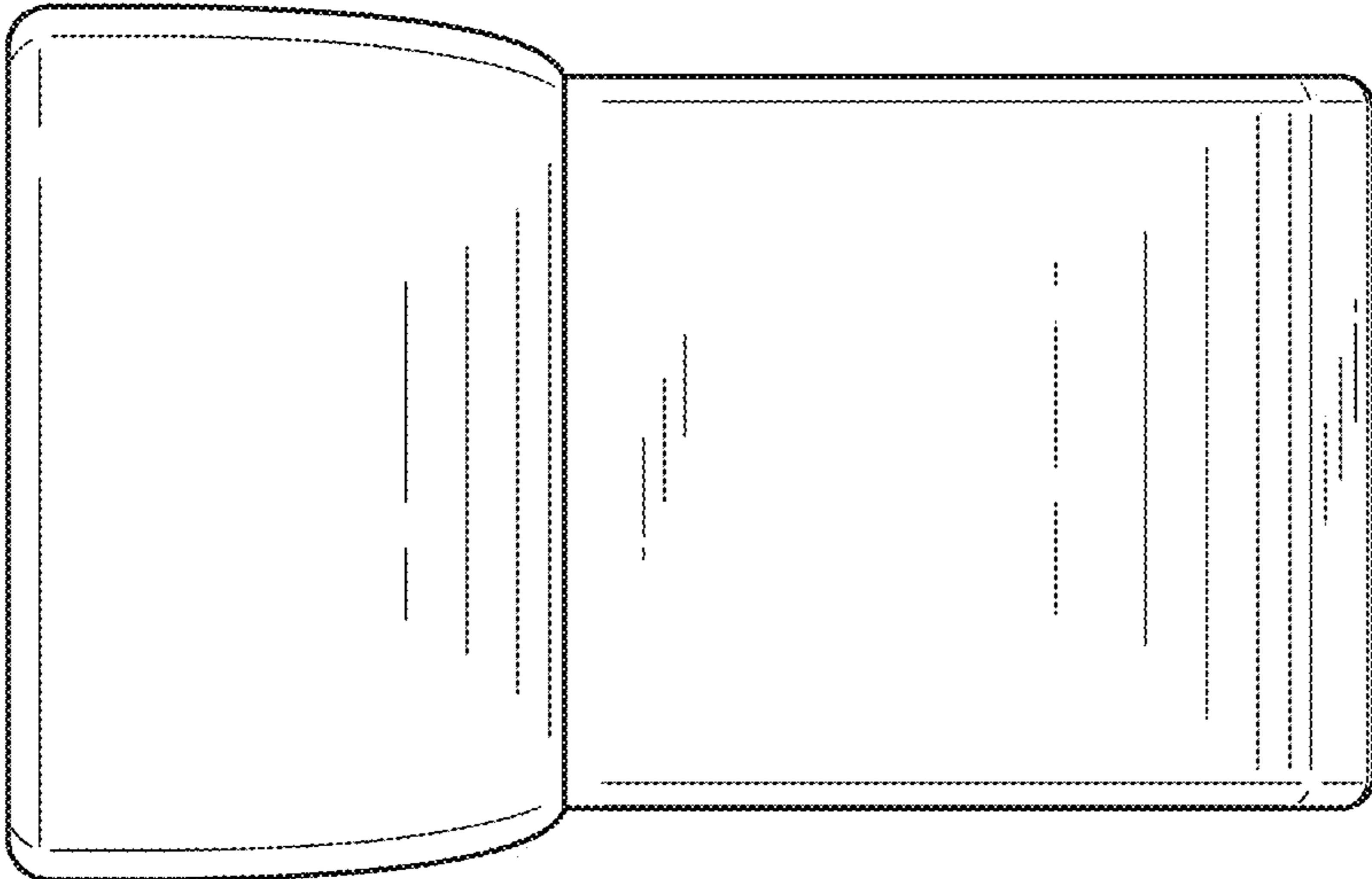


FIG. 3

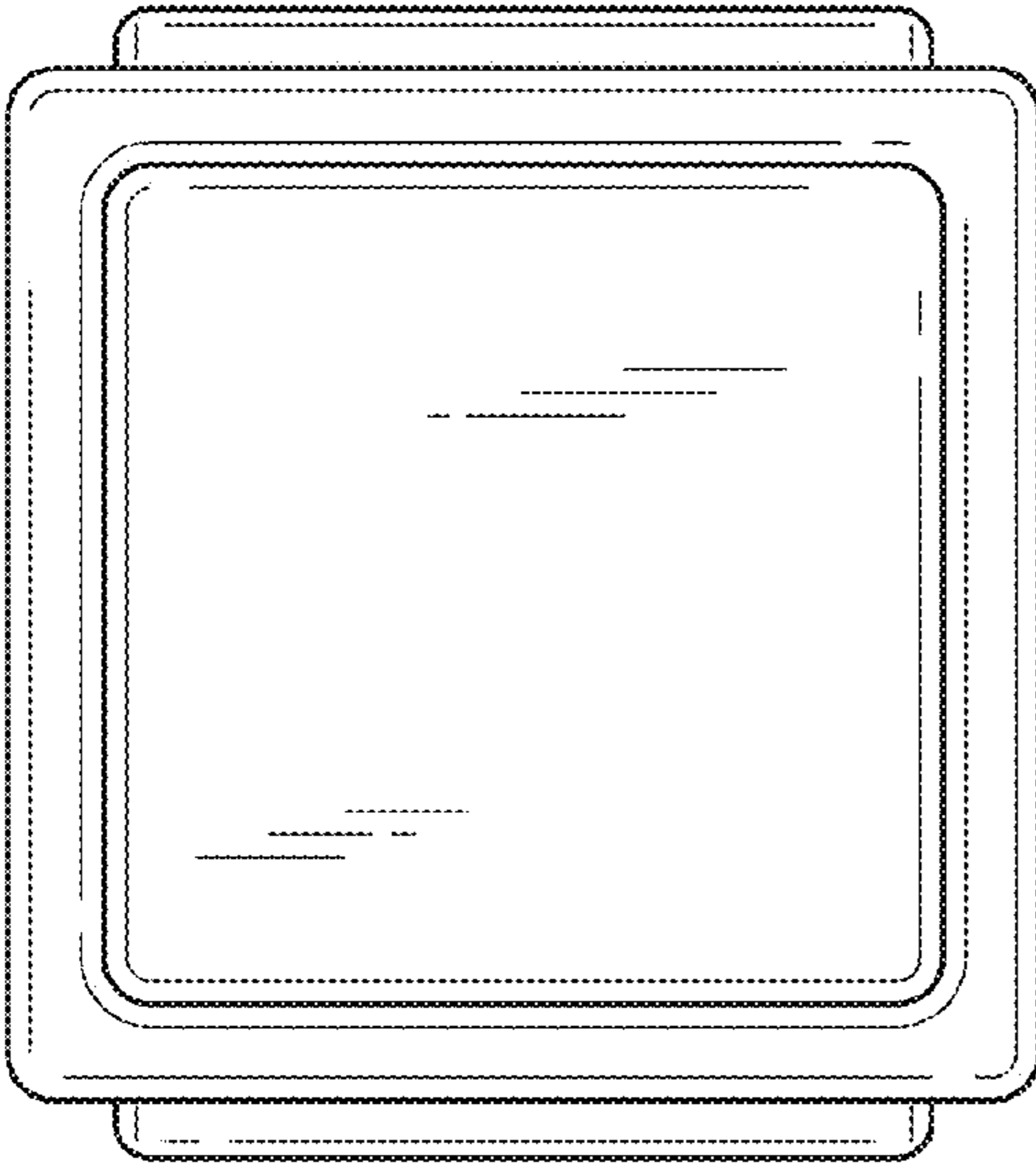


FIG. 5

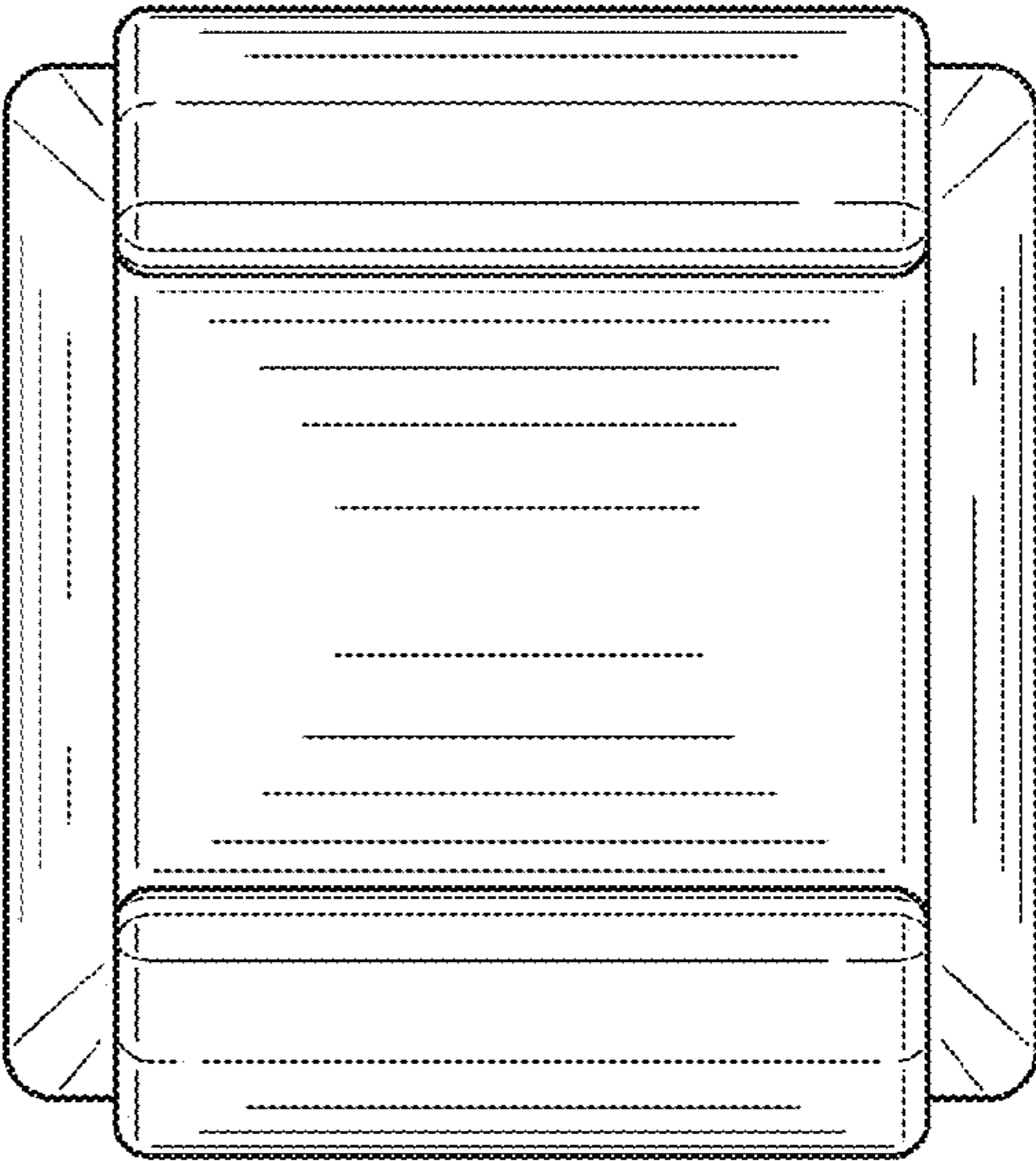
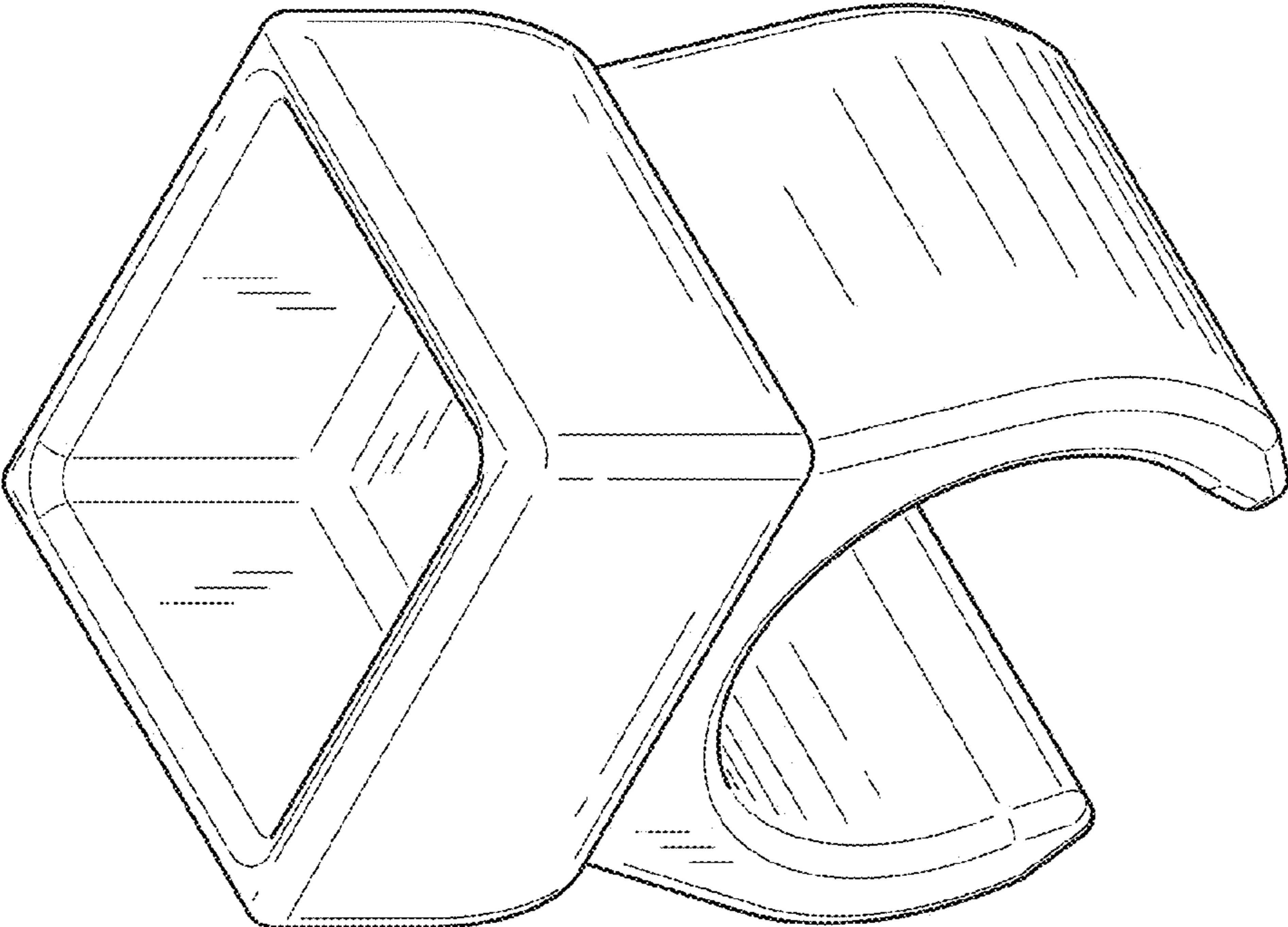


FIG. 6

FIG. 7



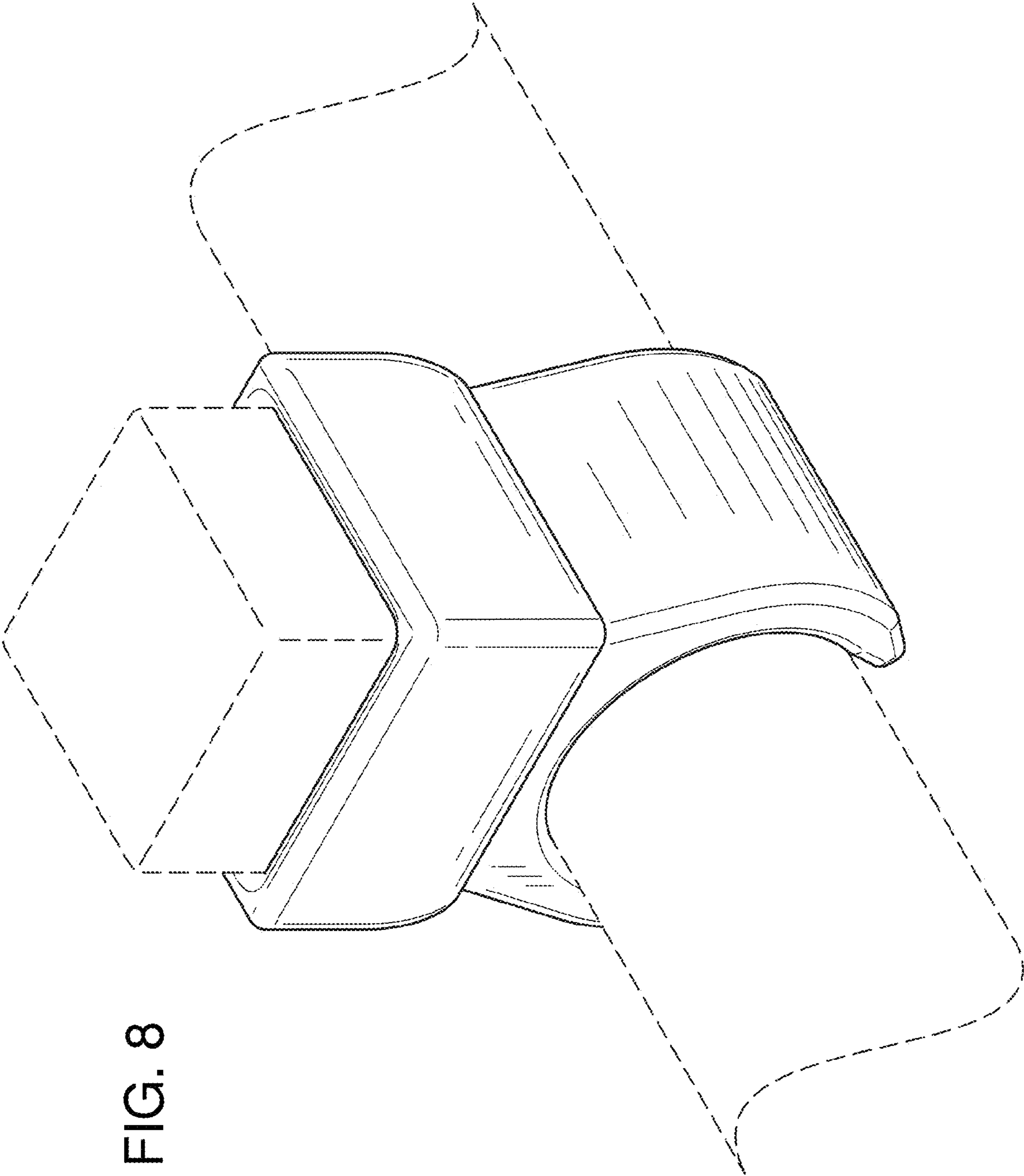


FIG. 8