



US00D907150S

(12) **United States Design Patent** (10) **Patent No.:** **US D907,150 S**
Agrella et al. (45) **Date of Patent:** **** Jan. 5, 2021**

(54) **GOLF CLUB HEAD**
(71) Applicant: **SUMITOMO RUBBER INDUSTRIES, LTD.**, Kobe (JP)
(72) Inventors: **Alexandra Agrella**, Huntington Beach, CA (US); **Phillip C. Seagram**, Long Beach, CA (US); **Darius Cyrulik**, Alhambra, CA (US)
(73) Assignee: **SUMITOMO RUBBER INDUSTRIES, LTD.**, Kobe (JP)
(**) Term: **15 Years**
(21) Appl. No.: **29/695,769**
(22) Filed: **Jun. 21, 2019**
(51) **LOC (13) Cl.** **21-02**
(52) **U.S. Cl.**
USPC **D21/759**
(58) **Field of Classification Search**
USPC D21/736-746, 759
CPC A63B 53/00; A63B 53/04; A63B 53/007; A63B 53/065; A63B 53/0487; A63B 60/00; A63B 60/46
See application file for complete search history.

D638,892 S * 5/2011 Hettinger D21/743
D639,361 S * 6/2011 Reinberg D21/736
D639,367 S * 6/2011 Reinberg D21/759
D639,369 S * 6/2011 Miyamichi D21/759
D642,643 S * 8/2011 Nicolette D21/759
D650,456 S * 12/2011 Tang D21/743
D688,339 S * 8/2013 Hilton D21/736
D689,574 S * 9/2013 Rollinson D21/743
D702,782 S * 4/2014 Wempe D21/743
D776,218 S * 1/2017 Seagram D21/759
D777,275 S * 1/2017 Seagram D21/759
D783,749 S * 4/2017 Becktor D21/759
D796,598 S * 9/2017 Serrano D21/736
D802,073 S * 11/2017 Toulon D21/759
D817,425 S * 5/2018 Toulon D21/759
9,987,530 B2 * 6/2018 Jertson A63B 53/0487
D832,379 S * 10/2018 Jertson D21/736
D837,315 S * 1/2019 Rollinson D21/743
10,173,105 B2 * 1/2019 Myers A63B 53/0487
D860,351 S * 9/2019 Rollinson D21/743
D865,090 S * 10/2019 Rollinson D21/743
D866,691 S * 11/2019 Nicolette D21/736

(Continued)

Primary Examiner — Mitchell I. Siegel
(74) *Attorney, Agent, or Firm* — Oliff PLC

(57) **CLAIM**

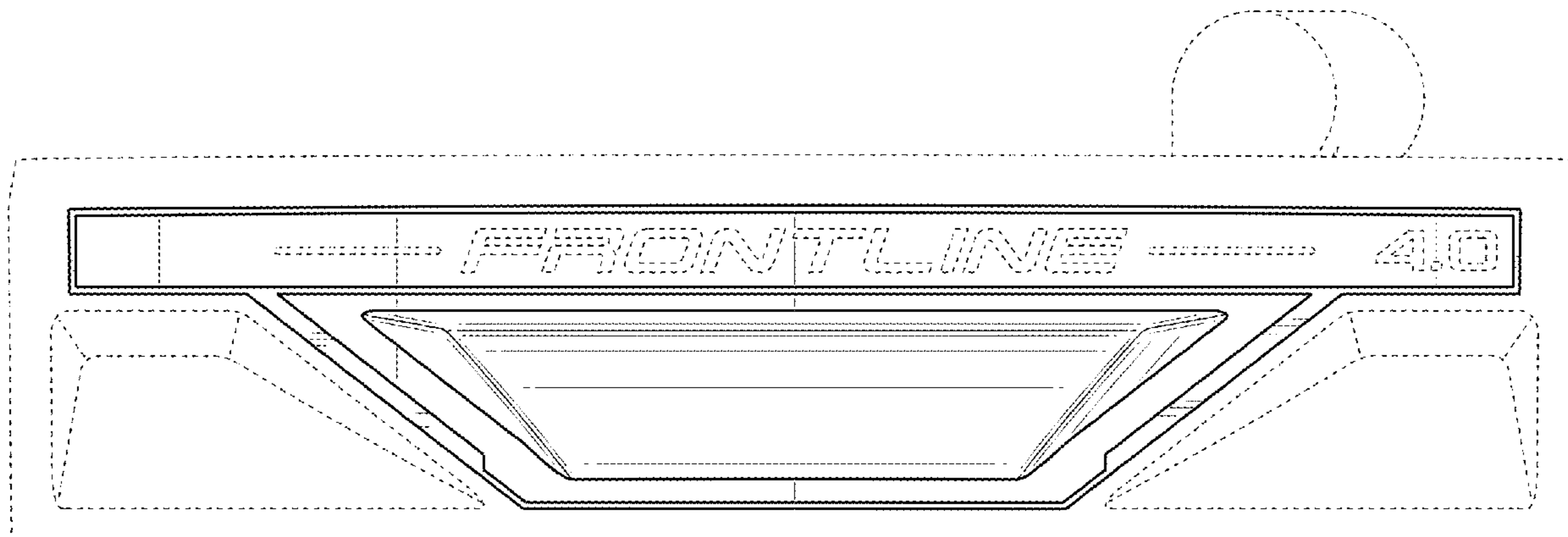
The ornamental design for a golf club head, as shown and described.

DESCRIPTION

FIG. 1 is a bottom, heel-side perspective view of the golf club head;
FIG. 2 is a bottom plan view thereof;
FIG. 3 is a heel-side elevational view thereof; and,
FIG. 4 is a toe-side elevational view thereof.
The broken lines depict parts of the golf club head that form no part of the claimed design. The dot-dash chain lines depict boundaries of the claimed subject matter and form no part of the claimed design.

1 Claim, 3 Drawing Sheets

(56) **References Cited**
U.S. PATENT DOCUMENTS
D239,951 S * 5/1976 Carrier D21/742
D447,203 S * 8/2001 Sanchez D21/759
D447,204 S * 8/2001 Solheim D21/759
D448,440 S * 9/2001 Solheim D21/759
D454,170 S * 3/2002 Petersen D21/759
D454,379 S * 3/2002 Solheim D21/759
D456,868 S * 5/2002 Solheim D21/759
D498,276 S * 11/2004 Schweigert D21/743
D500,823 S * 1/2005 Aldrich D21/759
D549,795 S * 8/2007 Rollinson D21/759
D574,050 S * 7/2008 Jones D21/759



(56)

References Cited

U.S. PATENT DOCUMENTS

D869,581 S * 12/2019 Aguilar D21/743
D874,589 S * 2/2020 Parente D21/736
10,632,352 B2 * 4/2020 Lambeth A63B 53/0487
D893,655 S * 8/2020 Schweigert D21/759
10,737,153 B2 * 8/2020 Schweigert A63B 53/0487
2016/0016050 A1 * 1/2016 Rife A63B 53/0487
473/331
2018/0311545 A1 * 11/2018 Lambeth A63B 53/04

* cited by examiner

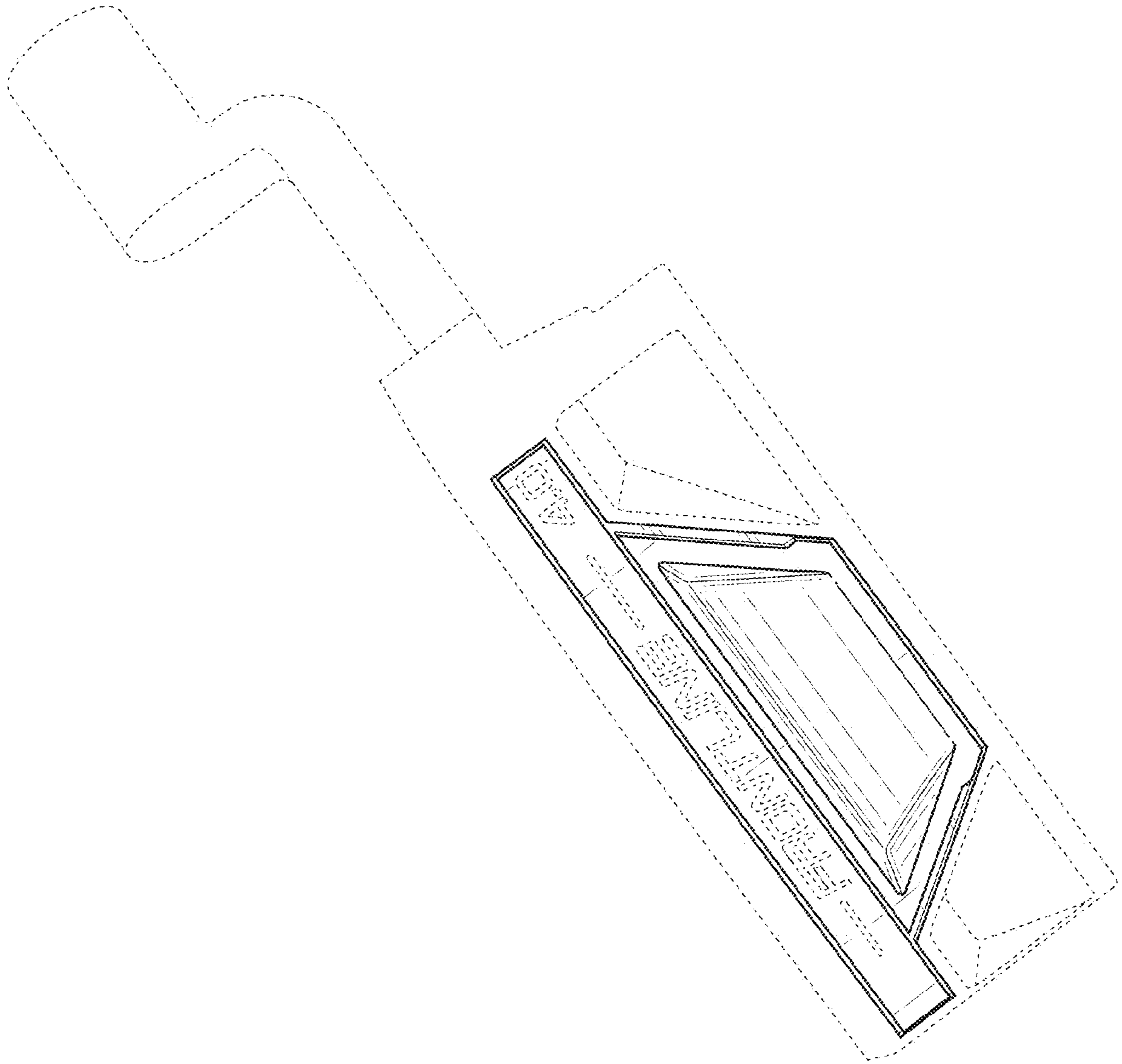


FIG. 1

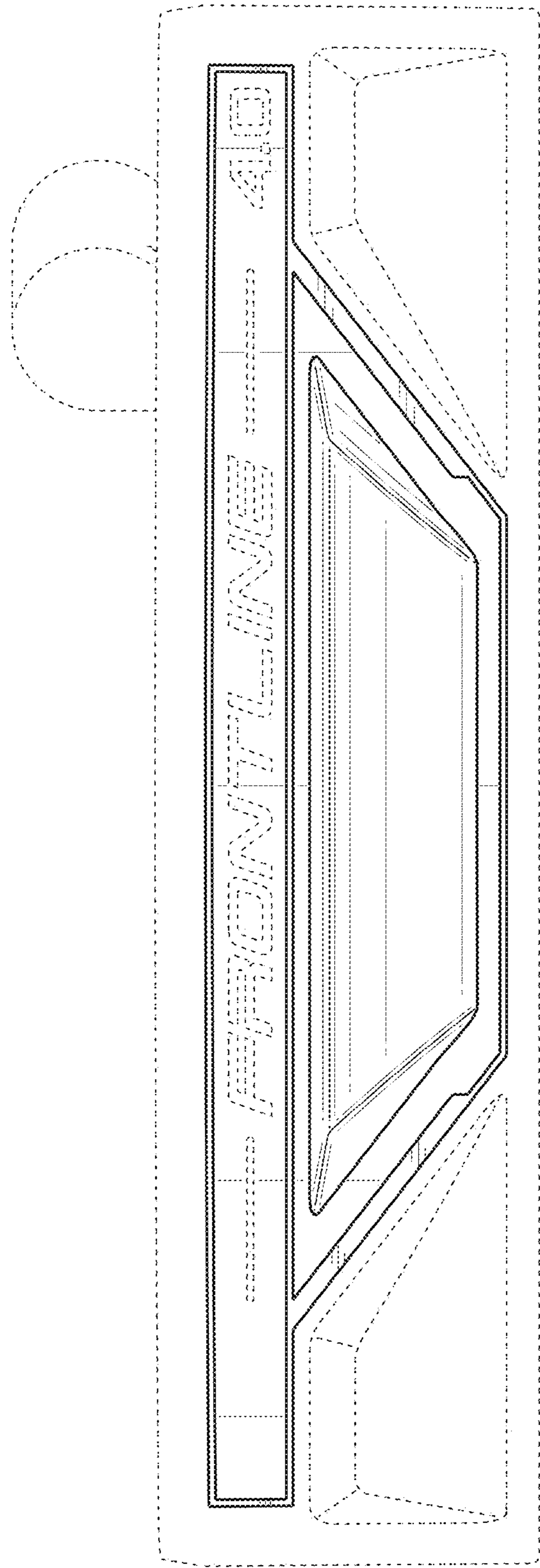


FIG. 2

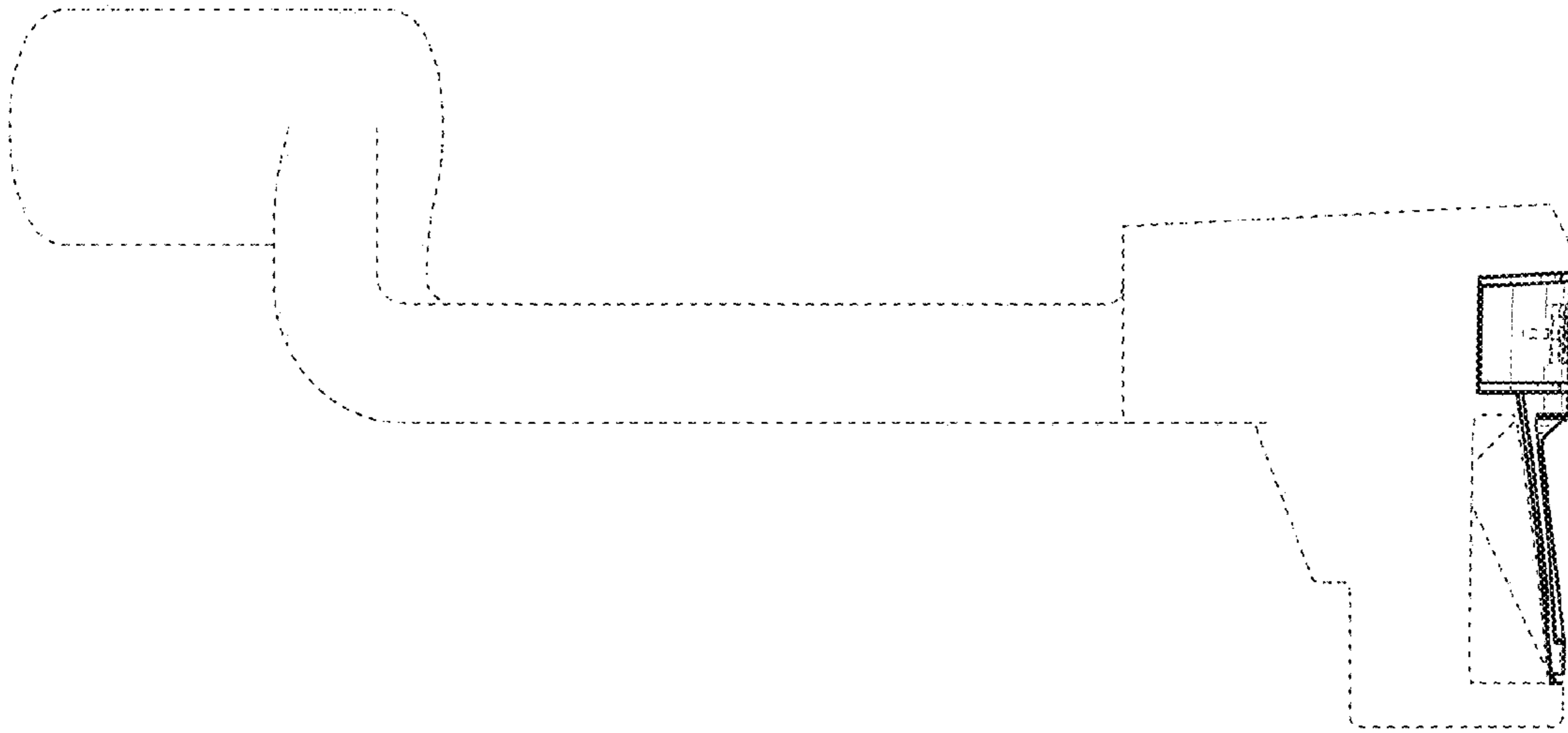


FIG. 4

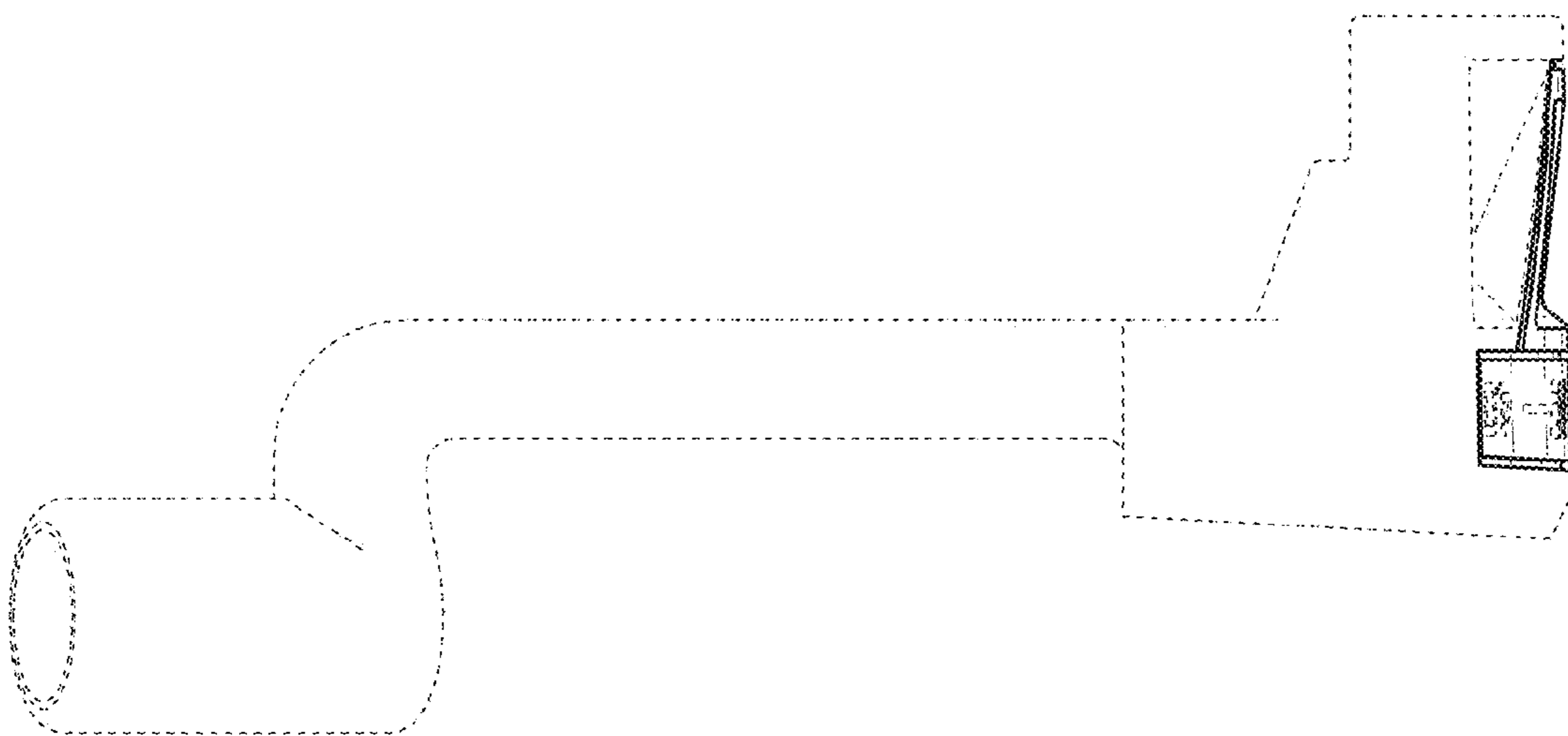


FIG. 3