



US00D907146S

(12) **United States Design Patent**  
**Cyrulik et al.**

(10) **Patent No.:** **US D907,146 S**

(45) **Date of Patent:** **\*\* Jan. 5, 2021**

(54) **GOLF CLUB HEAD**

(71) Applicant: **SUMITOMO RUBBER INDUSTRIES, LTD.**, Kobe (JP)

(72) Inventors: **Darius Cyrulik**, Alhambra, CA (US);  
**Alexandra Agrella**, Huntington Beach, CA (US); **Phillip C. Seagram**, Long Beach, CA (US)

(73) Assignee: **SUMITOMO RUBBER INDUSTRIES, LTD.**, Kobe (JP)

(\*\*) Term: **15 Years**

(21) Appl. No.: **29/695,760**

(22) Filed: **Jun. 21, 2019**

(51) **LOC (13) Cl.** ..... **21-02**

(52) **U.S. Cl.**  
USPC ..... **D21/736**

(58) **Field of Classification Search**  
USPC ..... D21/736-746, 759  
CPC ..... A63B 53/00; A63B 53/04; A63B 53/007;  
A63B 53/065; A63B 53/0487; A63B  
60/00; A63B 60/46  
See application file for complete search history.

(56) **References Cited**

**U.S. PATENT DOCUMENTS**

D413,951 S *	9/1999	Storer	.....	D21/744
D447,203 S *	8/2001	Sanchez	.....	D21/759
D447,204 S *	8/2001	Solheim	.....	D21/759
D448,440 S *	9/2001	Solheim	.....	D21/759
D454,170 S *	3/2002	Petersen	.....	D21/759
D454,379 S *	3/2002	Solheim	.....	D21/759
D456,868 S *	5/2002	Solheim	.....	D21/759
D500,823 S *	1/2005	Aldrich	.....	D21/759
D515,647 S *	2/2006	Morgulis	.....	D21/743
D549,795 S *	8/2007	Rollinson	.....	D21/759
D574,050 S *	7/2008	Jones	.....	D21/759
D639,361 S *	6/2011	Reinberg	.....	D21/736

D639,367 S *	6/2011	Reinberg	.....	D21/759
D639,369 S *	6/2011	Miyamichi	.....	D21/759
D642,643 S *	8/2011	Nicolette	.....	D21/759
D774,607 S *	12/2016	Serrano	.....	D21/743
D776,218 S *	1/2017	Seagram	.....	D21/759
D777,275 S *	1/2017	Seagram	.....	D21/759
D796,598 S *	9/2017	Serrano	.....	D21/736
D802,073 S *	11/2017	Toulon	.....	D21/759
9,987,530 B2 *	6/2018	Jertson	.....	A63B 53/0487
10,173,105 B2 *	1/2019	Myers	.....	A63B 53/0487
D861,092 S *	9/2019	Glorioso	.....	D21/743
D874,589 S *	2/2020	Parente	.....	D21/736
D877,829 S *	3/2020	Cameron	.....	D21/736
D879,222 S *	3/2020	Serrano	.....	D21/742
10,632,352 B2 *	4/2020	Lambeth	.....	A63B 53/0487
D893,655 S *	8/2020	Schweigert	.....	D21/759
10,737,153 B2 *	8/2020	Schweigert	.....	A63B 53/0487
2016/0016050 A1 *	1/2016	Rife	.....	A63B 53/0487 473/331
2018/0311545 A1 *	11/2018	Lambeth	.....	A63B 53/04

\* cited by examiner

*Primary Examiner* — Mitchell I. Siegel

(74) *Attorney, Agent, or Firm* — Oliff PLC

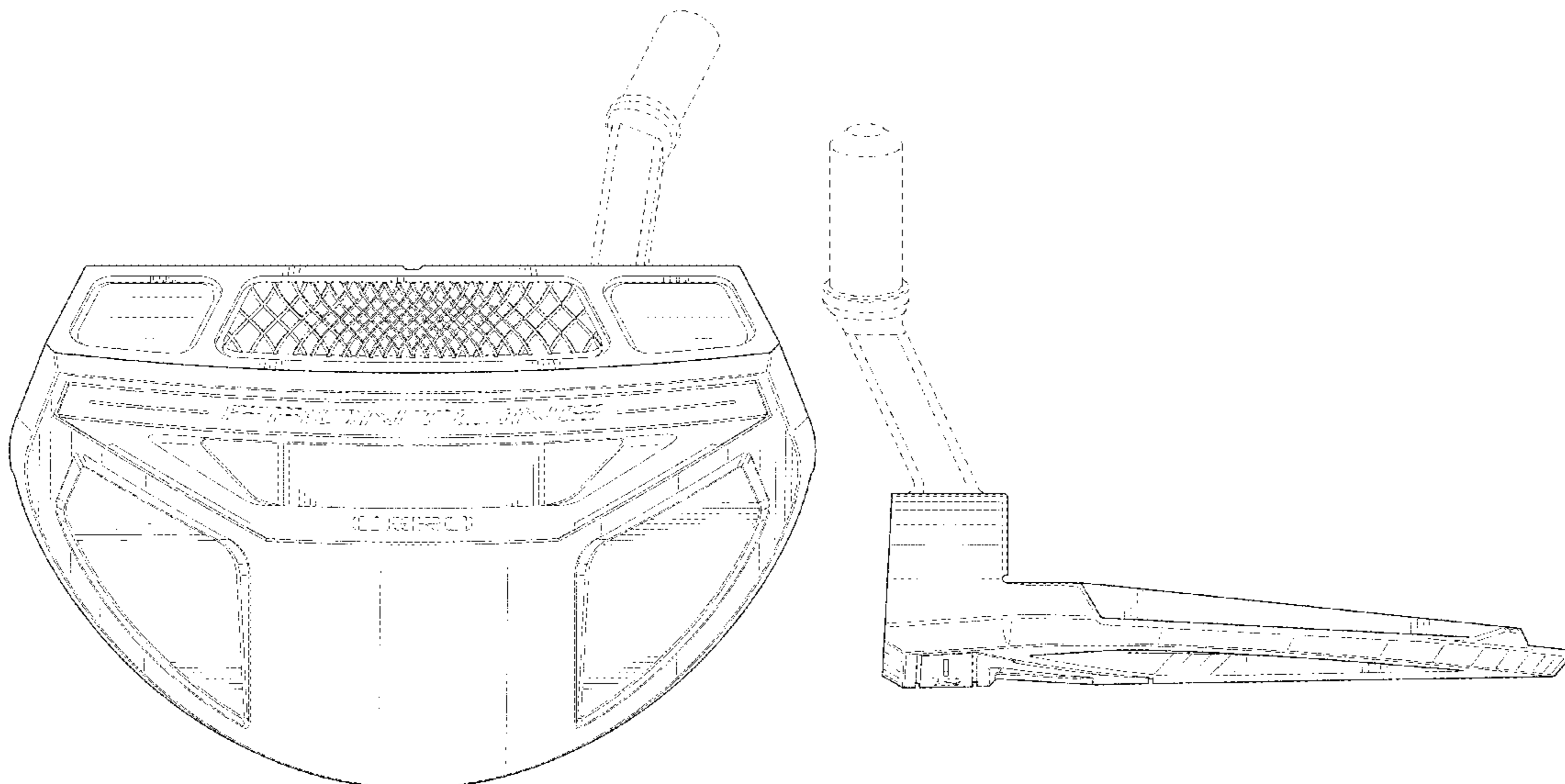
(57) **CLAIM**

The ornamental design for a golf club head, as shown and described.

**DESCRIPTION**

FIG. 1 is a front, bottom, perspective view of the golf club head;  
FIG. 2 is a front elevational view thereof;  
FIG. 3 is a top plan view thereof;  
FIG. 4 is a toe-side elevational view thereof;  
FIG. 5 is a heel-side elevational view thereof;  
FIG. 6 is a rear elevational view thereof;  
FIG. 7 is a bottom plan view thereof; and,  
FIG. 8 is a rear, toe-side perspective view thereof.  
The broken lines depict parts of the golf club head that form no part of the claimed design.

**1 Claim, 8 Drawing Sheets**



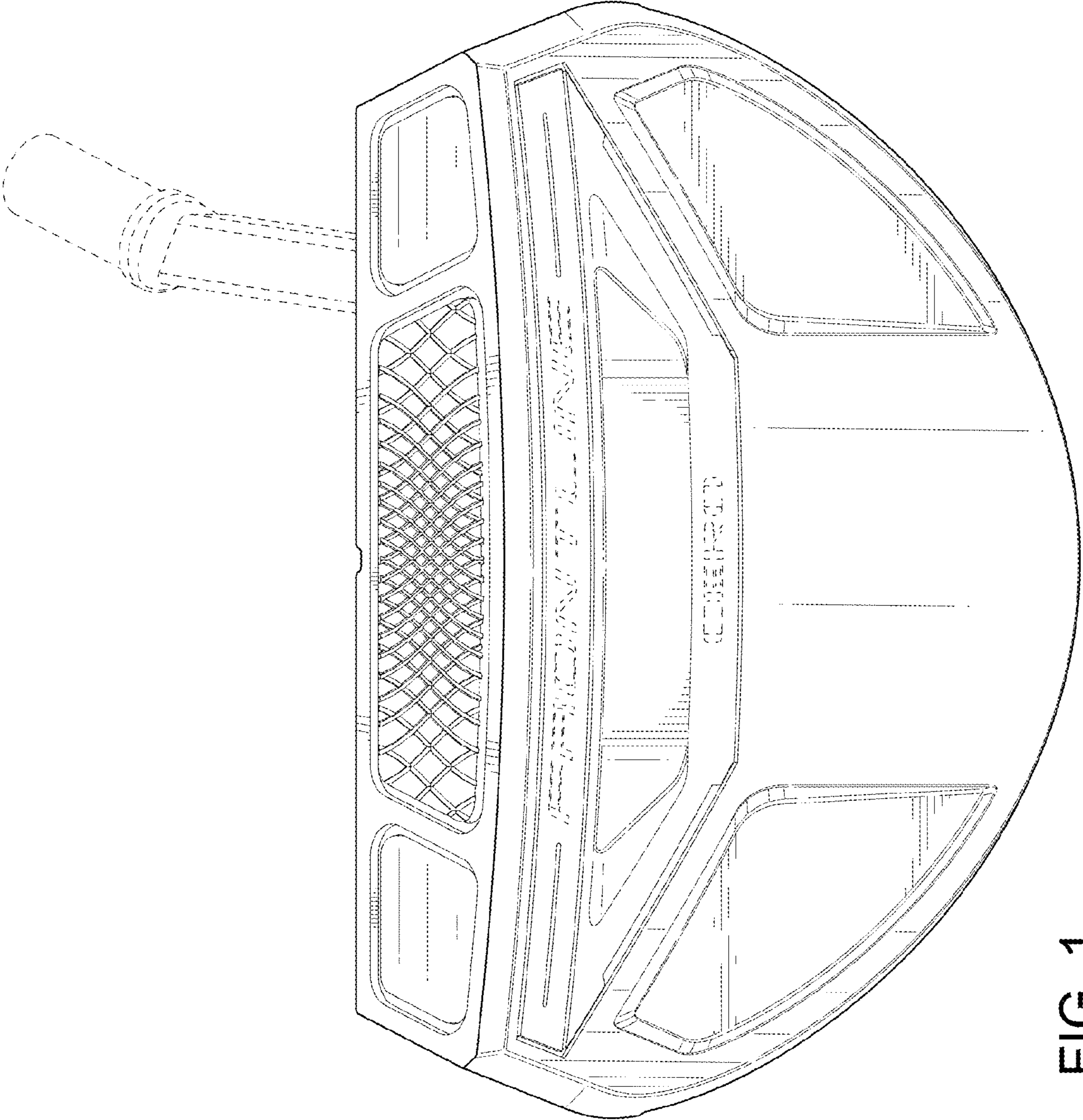


FIG. 1

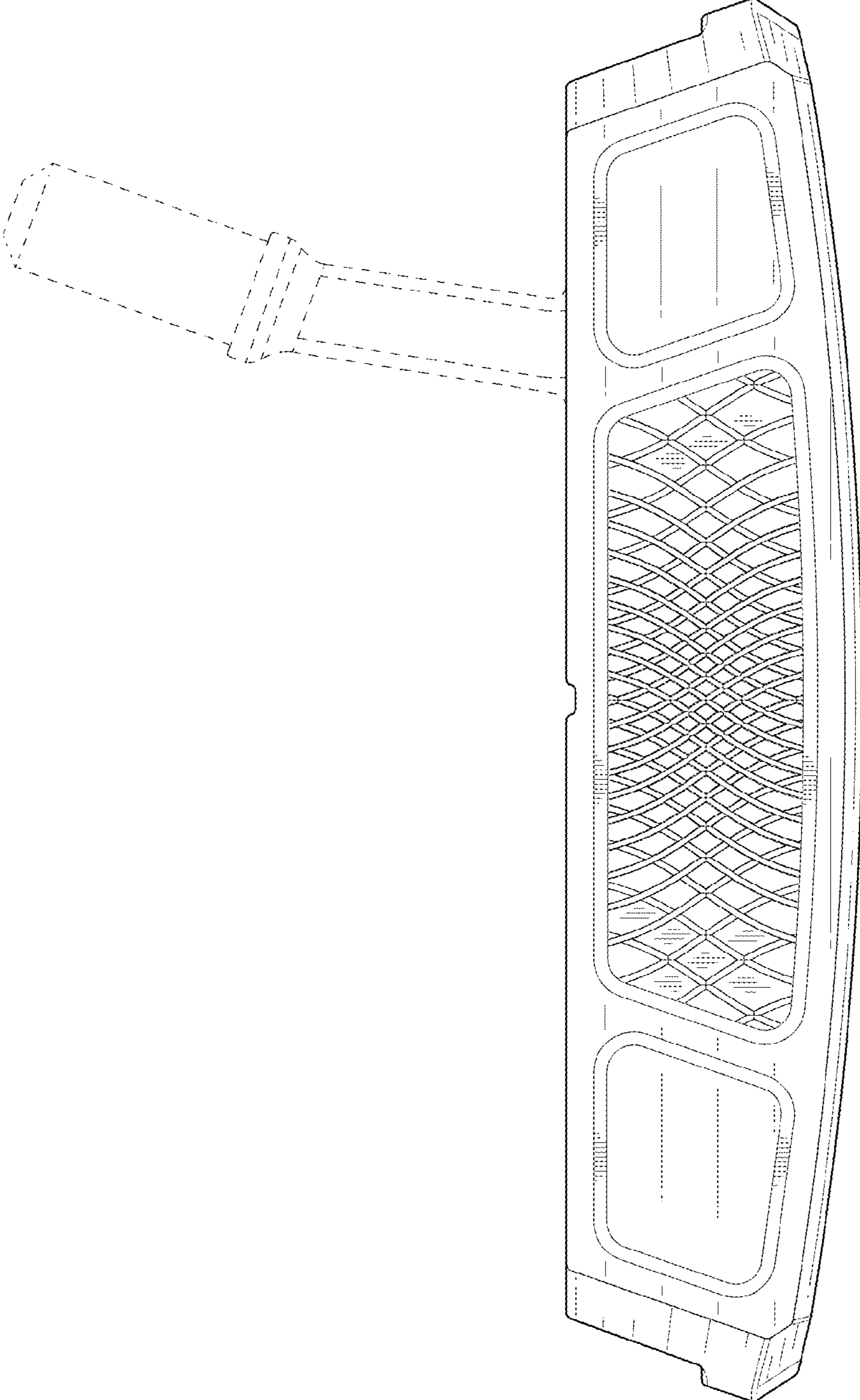


FIG. 2

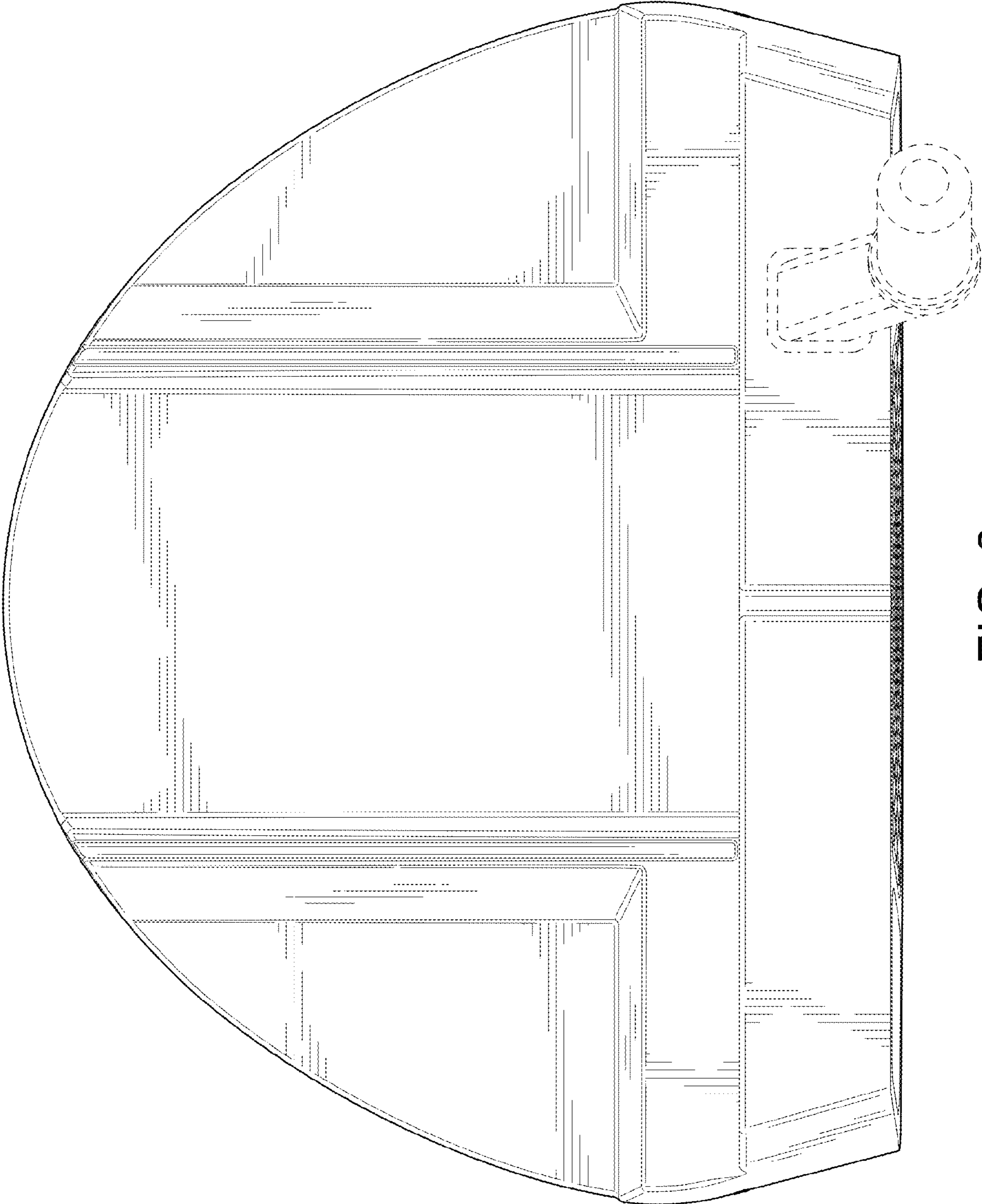


FIG. 3

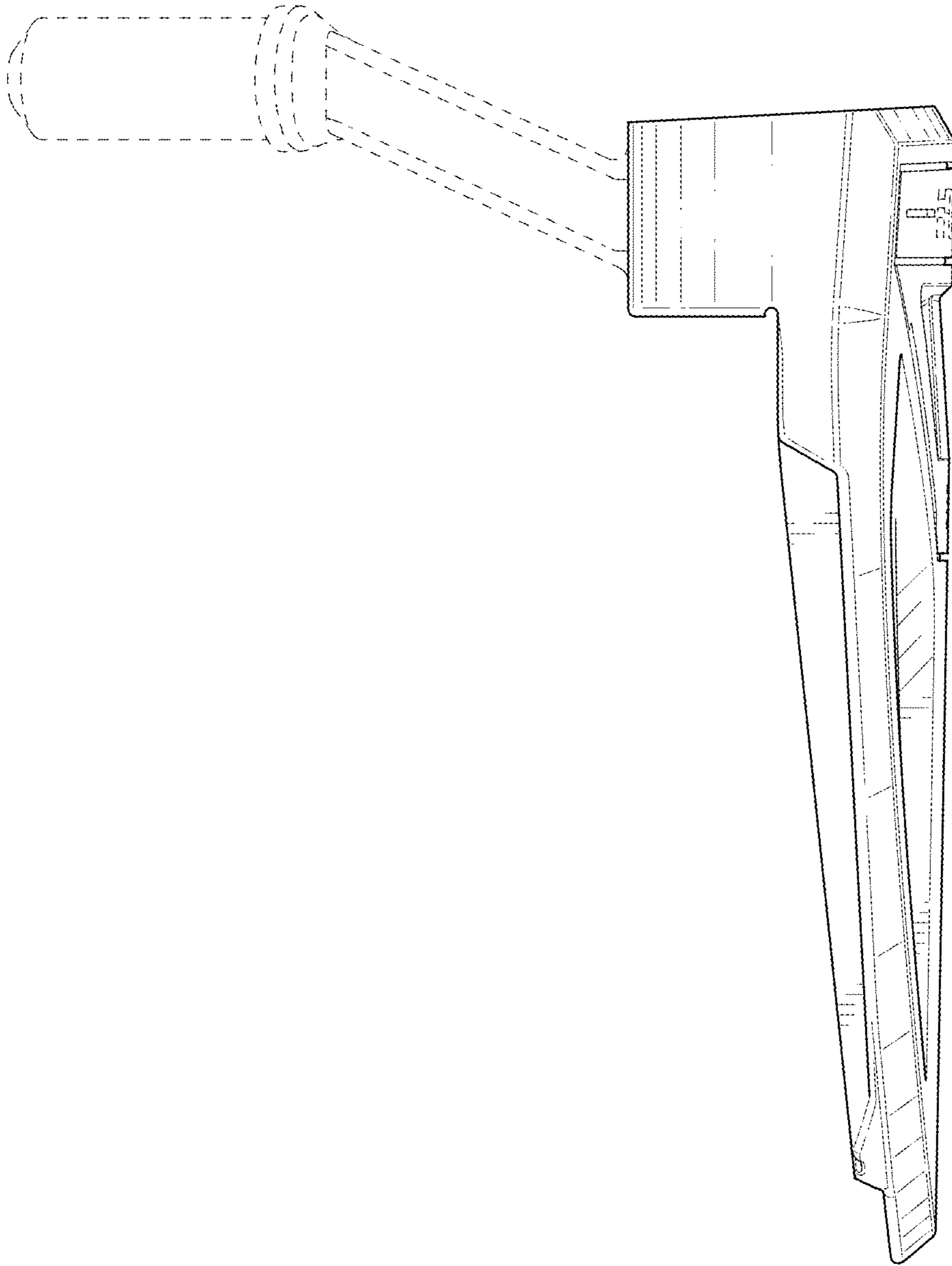


FIG. 4

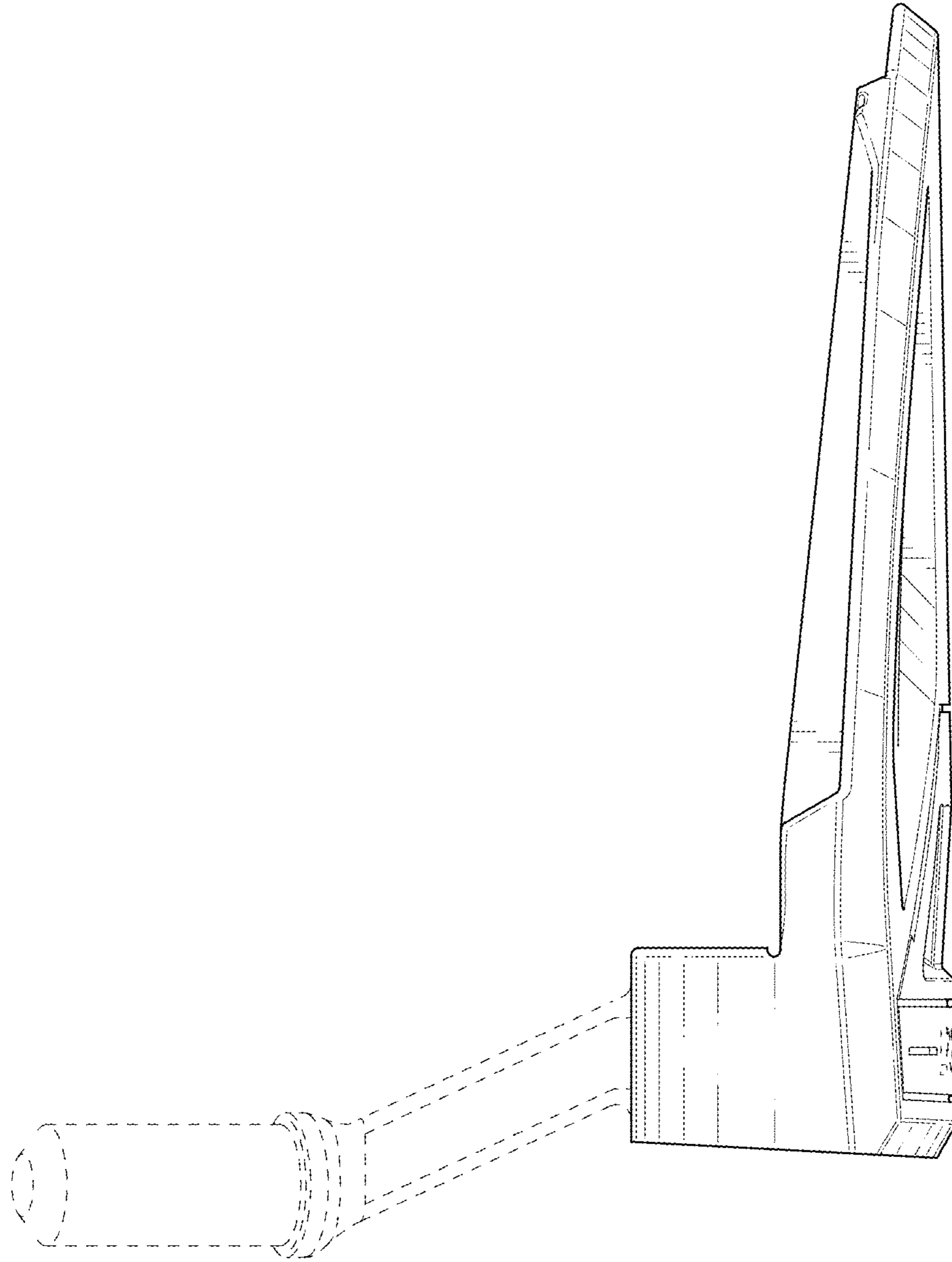


FIG. 5

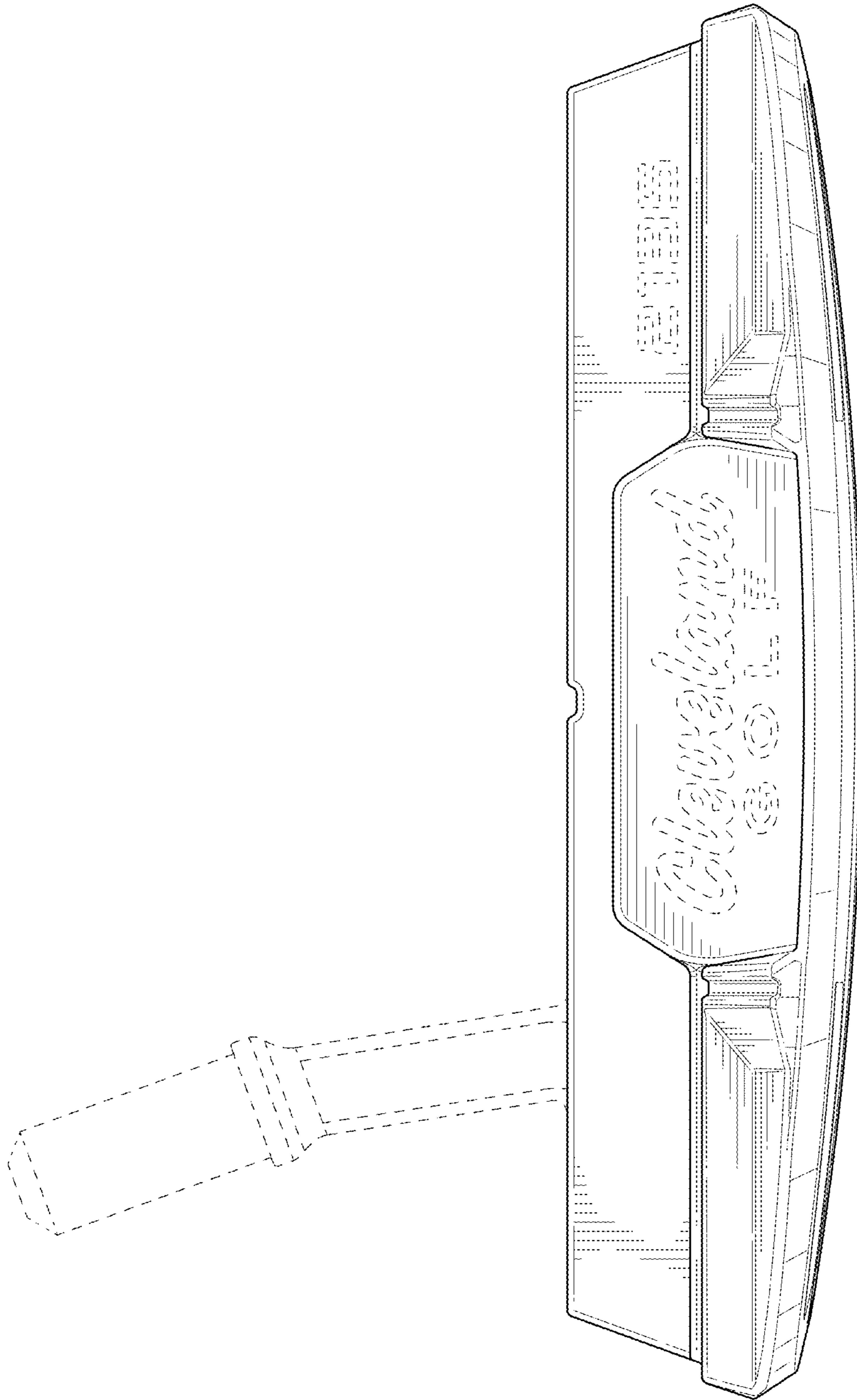


FIG. 6

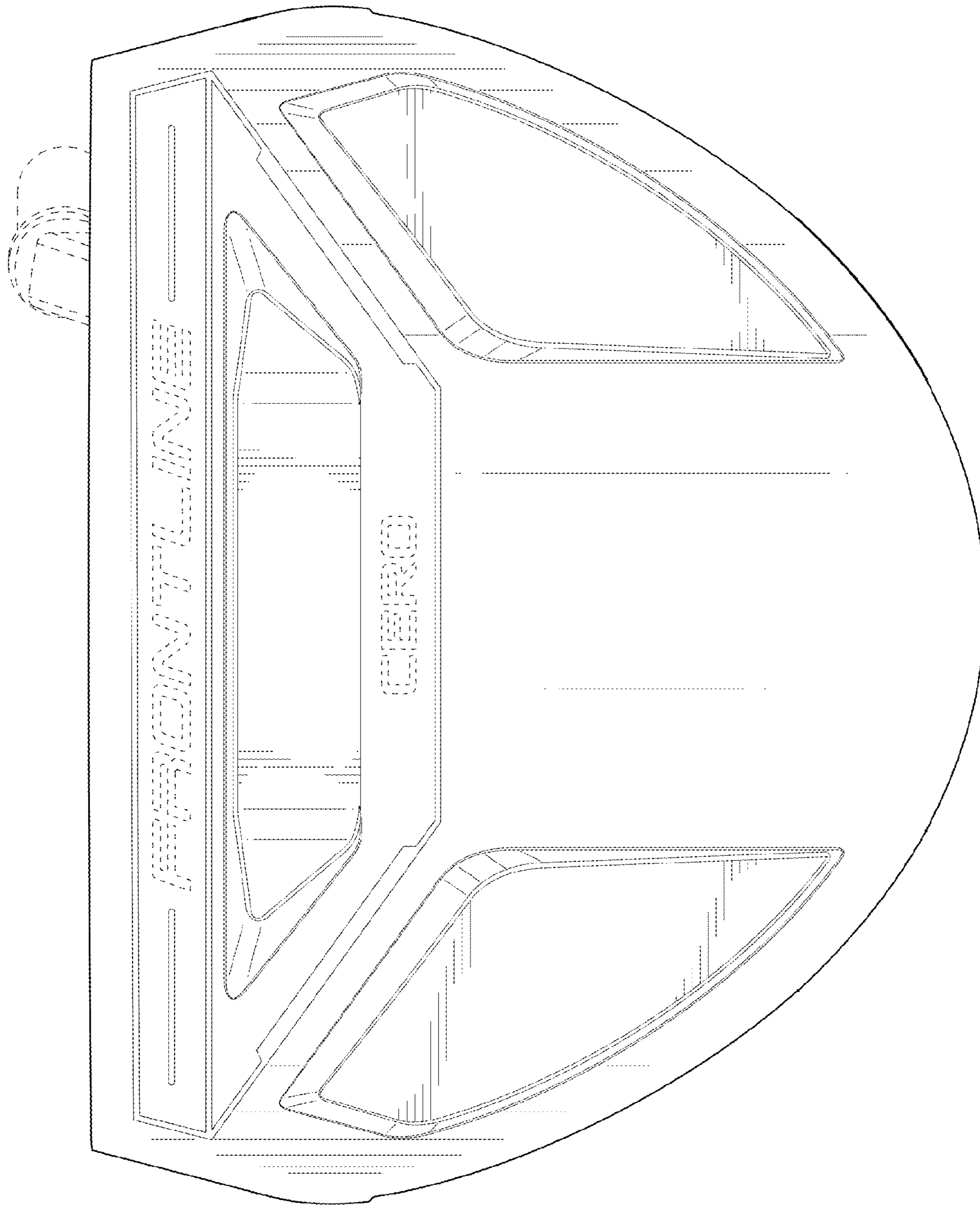


FIG. 7



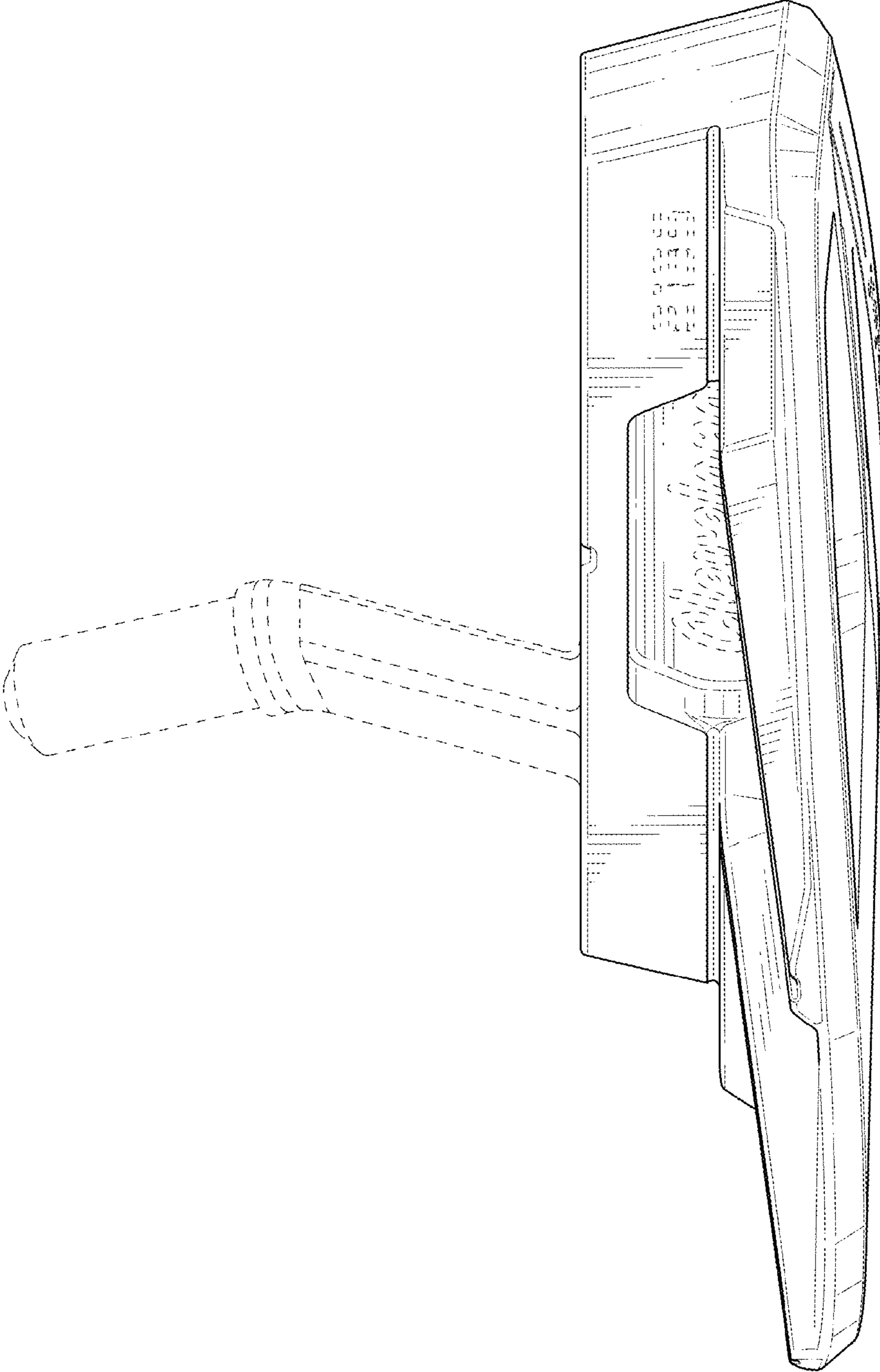


FIG. 8