



US00D907144S

(12) **United States Design Patent** (10) **Patent No.:** **US D907,144 S**
Zhao (45) **Date of Patent:** **** Jan. 5, 2021**

(54) **DUMBBELL BENCH**
(71) Applicant: **Zhejiang Tongcang Industry and Trade Co., Ltd., Yongkang (CN)**
(72) Inventor: **Liyong Zhao, Yongkang (CN)**
(73) Assignee: **Zhejiang Tongcang Industry and Trade Co., Ltd., Yongkang (CN)**

(**) Term: **15 Years**
(21) Appl. No.: **29/667,210**
(22) Filed: **Oct. 19, 2018**
(51) **LOC (13) Cl.** **21-02**
(52) **U.S. Cl.**
USPC **D21/690**
(58) **Field of Classification Search**
USPC 482/23, 38, 40, 94, 95, 96, 97, 98, 99,
482/101, 102, 133, 142; D21/662, 665,
D21/671, 673, 675, 676, 686, 687, 690,
D21/694
CPC ... A63B 21/4029; A63B 23/006; A63B 21/16;
A63B 23/02; A63B 21/00181; A63B
21/4009
See application file for complete search history.

(56) **References Cited**
U.S. PATENT DOCUMENTS
D262,810 S * 1/1982 Lynn D21/676
D358,624 S * 5/1995 Wang D21/673
D366,917 S * 2/1996 Clem D21/690
D413,947 S * 9/1999 Gvoich D21/670
D432,600 S * 10/2000 Szabo D21/662
6,168,557 B1 * 1/2001 Liao A63B 21/0615
482/142
D452,719 S * 1/2002 Lin D21/668
D455,803 S * 4/2002 Webber D21/690
D476,045 S * 6/2003 Casey D21/690
D502,230 S * 2/2005 Chen D21/673
D574,448 S * 8/2008 Webber D21/673
7,654,944 B1 * 2/2010 Liu A63B 21/078
482/142

7,731,639 B1 * 6/2010 Shifferaw A63B 21/4047
482/142
D637,246 S * 5/2011 James D21/676
D647,151 S * 10/2011 Van Straaten D21/690
D719,224 S * 12/2014 Ho D21/687
D727,440 S * 4/2015 Ho D21/681
D730,457 S * 5/2015 Ho D21/687
D732,119 S * 6/2015 Ho D21/687
(Continued)

OTHER PUBLICATIONS

Amazon, "YouTen_Sit Up Bench", Feb. 5, 2019. https://www.amazon.com/YouTen-Adjustable-Positions-Improved-Exercise/dp/B07W9KC2MN/ref=cm_cr_arp_d_product_top?ie=UTF8. Shown on p. 1. (Year: 2019).*

Primary Examiner — Cynthia Ramirez
Assistant Examiner — Michael A Maharajh
(74) *Attorney, Agent, or Firm* — Bay State IP, LLC

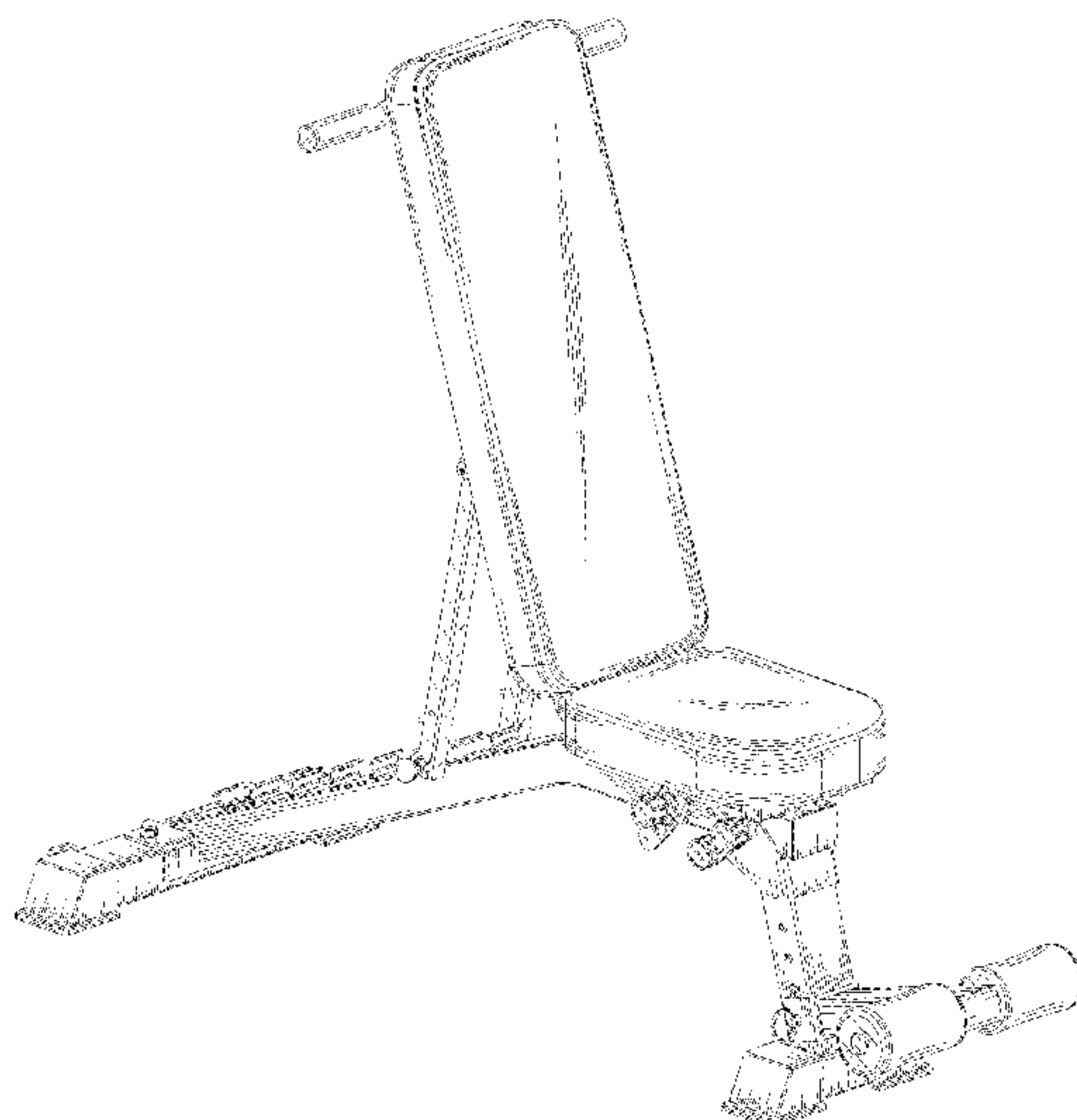
(57) **CLAIM**

The ornamental design for a dumbbell bench, as shown and described.

DESCRIPTION

FIG. 1 is a front perspective view of the dumbbell bench showing my new design;
FIG. 2 is a front view thereof;
FIG. 3 is a back view thereof;
FIG. 4 is a left side view thereof;
FIG. 5 is a right side view thereof;
FIG. 6 is a top view thereof; and,
FIG. 7 is a bottom view thereof.
The broken lines shown in the figures are for the purpose of illustrating portions of the dumbbell bench, which form no part of the claimed design. The lettering shown in broken lines in FIGS. 1 and 4 are for the purposes of showing environmental structure, which form no part of the claimed design.

1 Claim, 7 Drawing Sheets



(56)

References Cited

U.S. PATENT DOCUMENTS

D741,960	S	*	10/2015	Campanaro	D21/676
D806,809	S	*	1/2018	Orellana	D21/687
D812,158	S	*	3/2018	Campanaro	D21/690
D812,159	S	*	3/2018	Campanaro	D21/690
D820,362	S	*	6/2018	Citterio	D21/687
2002/0169057	A1	*	11/2002	Forcillo	A63B 21/00181 482/142
2004/0082450	A1	*	4/2004	Casey	A63B 23/0211 482/140
2005/0143233	A1	*	6/2005	Shifferaw	A63B 21/023 482/142
2005/0197238	A1	*	9/2005	Parker	A63B 21/4029 482/142
2007/0087916	A1	*	4/2007	McCarter	A63B 21/4031 482/142
2014/0274617	A1	*	9/2014	Ho	A63B 21/159 482/140
2014/0274618	A1	*	9/2014	Ho	A63B 21/159 482/140
2017/0259109	A1	*	9/2017	McJames, II	A63B 21/4029
2017/0368402	A1	*	12/2017	Dugan	A63B 21/4033
2018/0369633	A1	*	12/2018	Baker	A63B 21/4029
2019/0151699	A1	*	5/2019	Isom	A63B 21/00065
2019/0168062	A1	*	6/2019	Monti	A63B 21/4009
2019/0240527	A1	*	8/2019	Hsieh	A63B 1/00

* cited by examiner

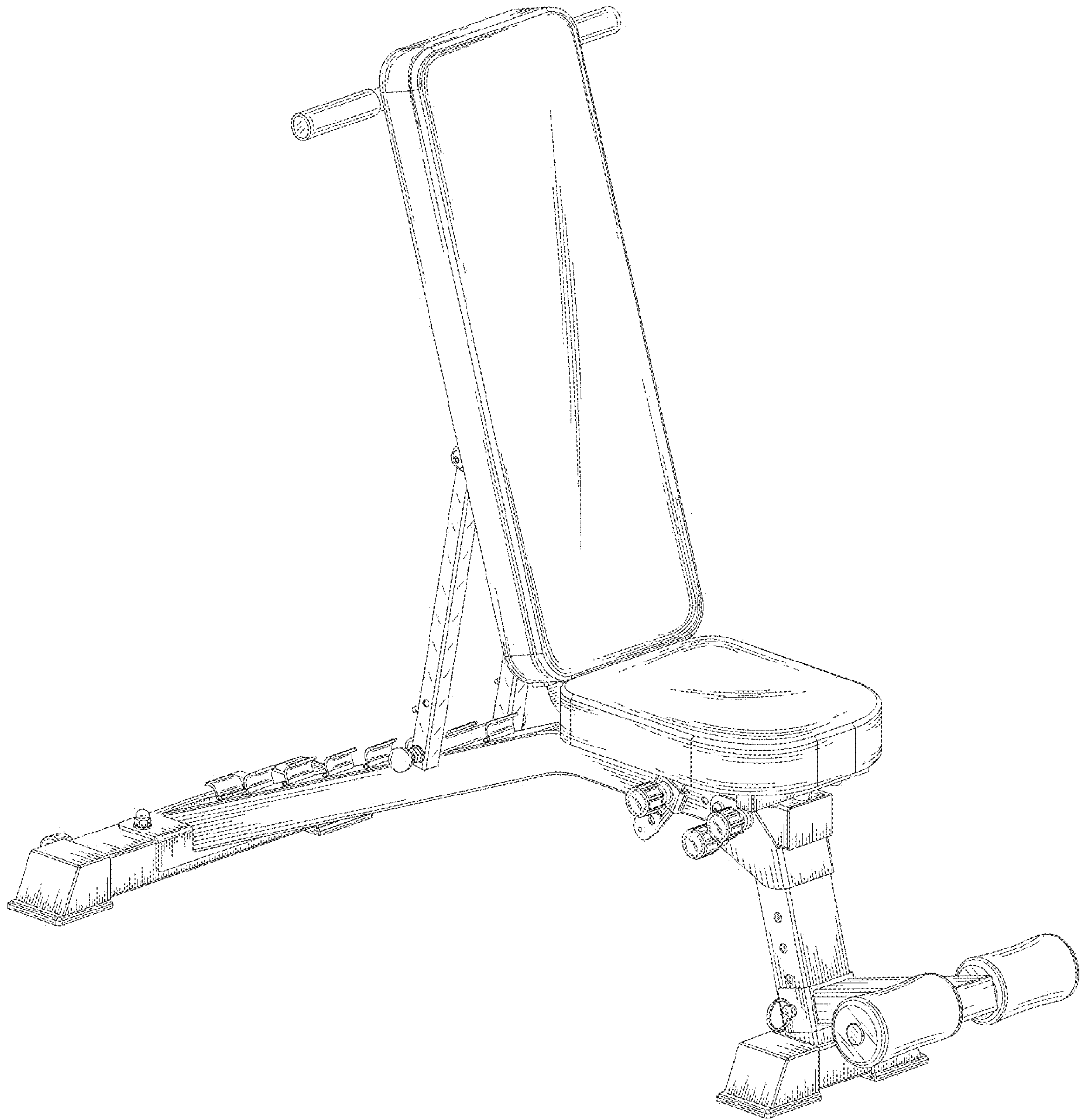


FIG.1

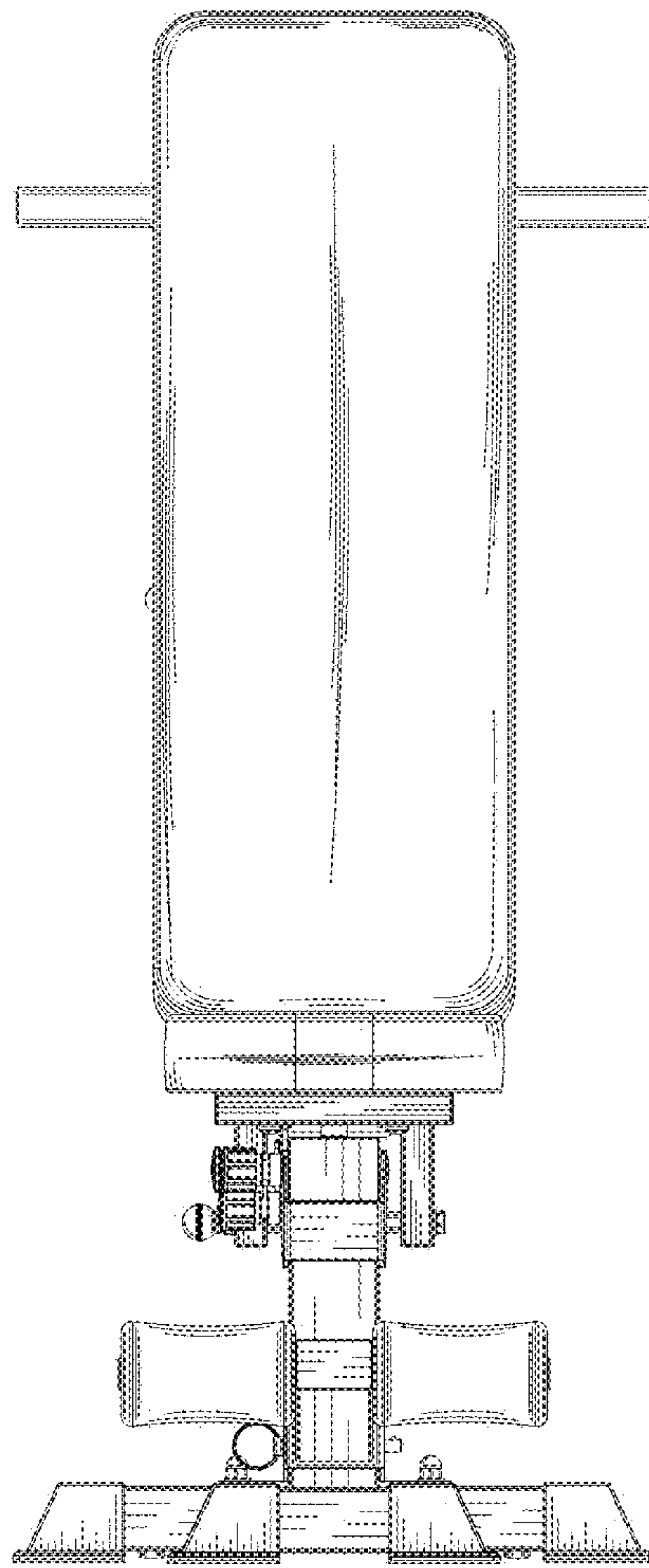


FIG.2

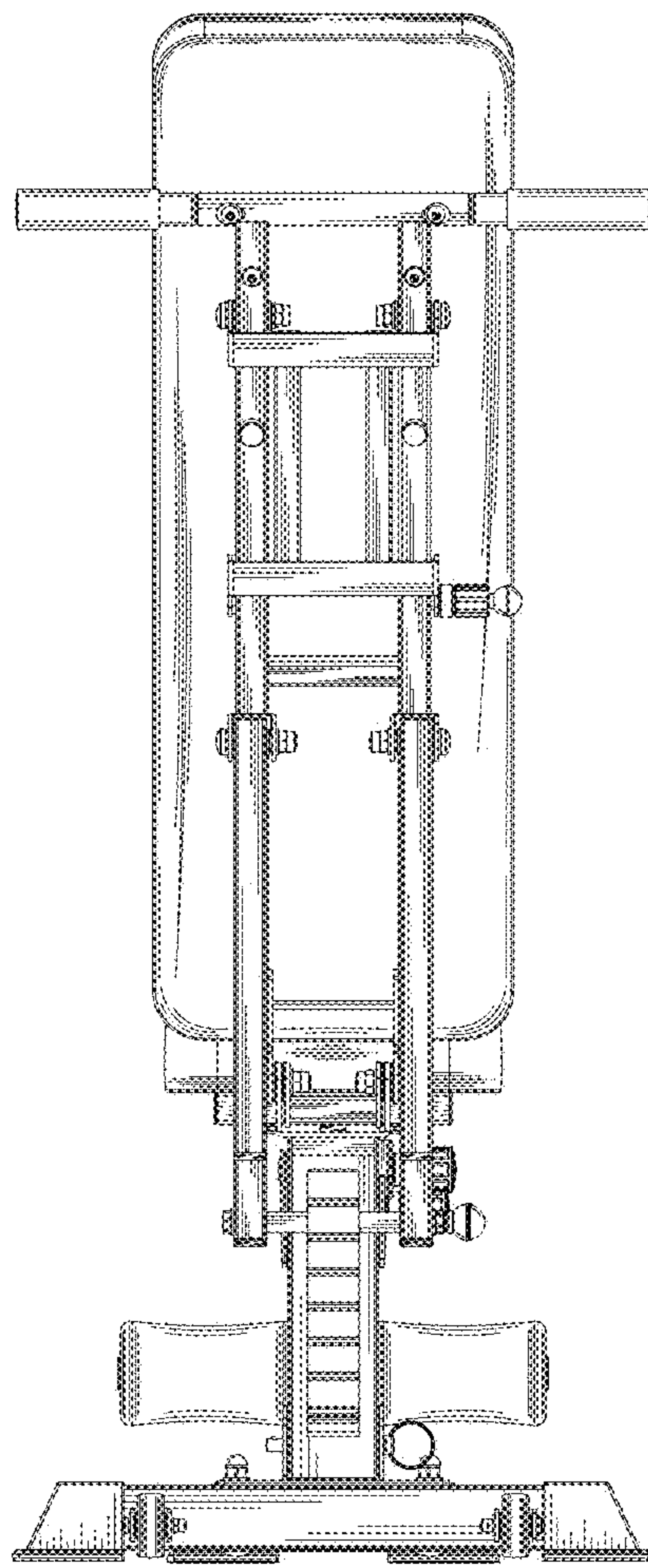


FIG. 3

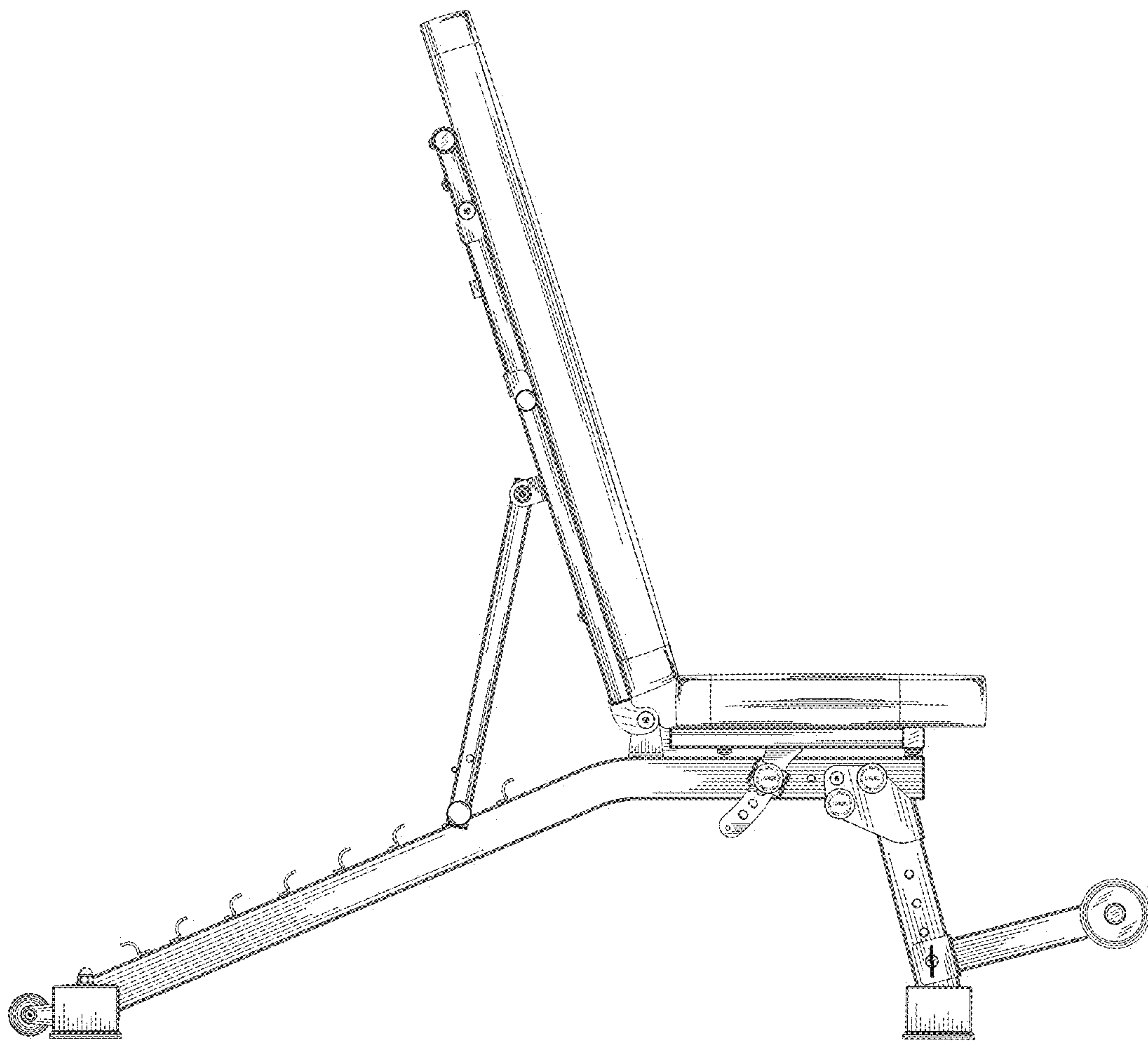


FIG. 4

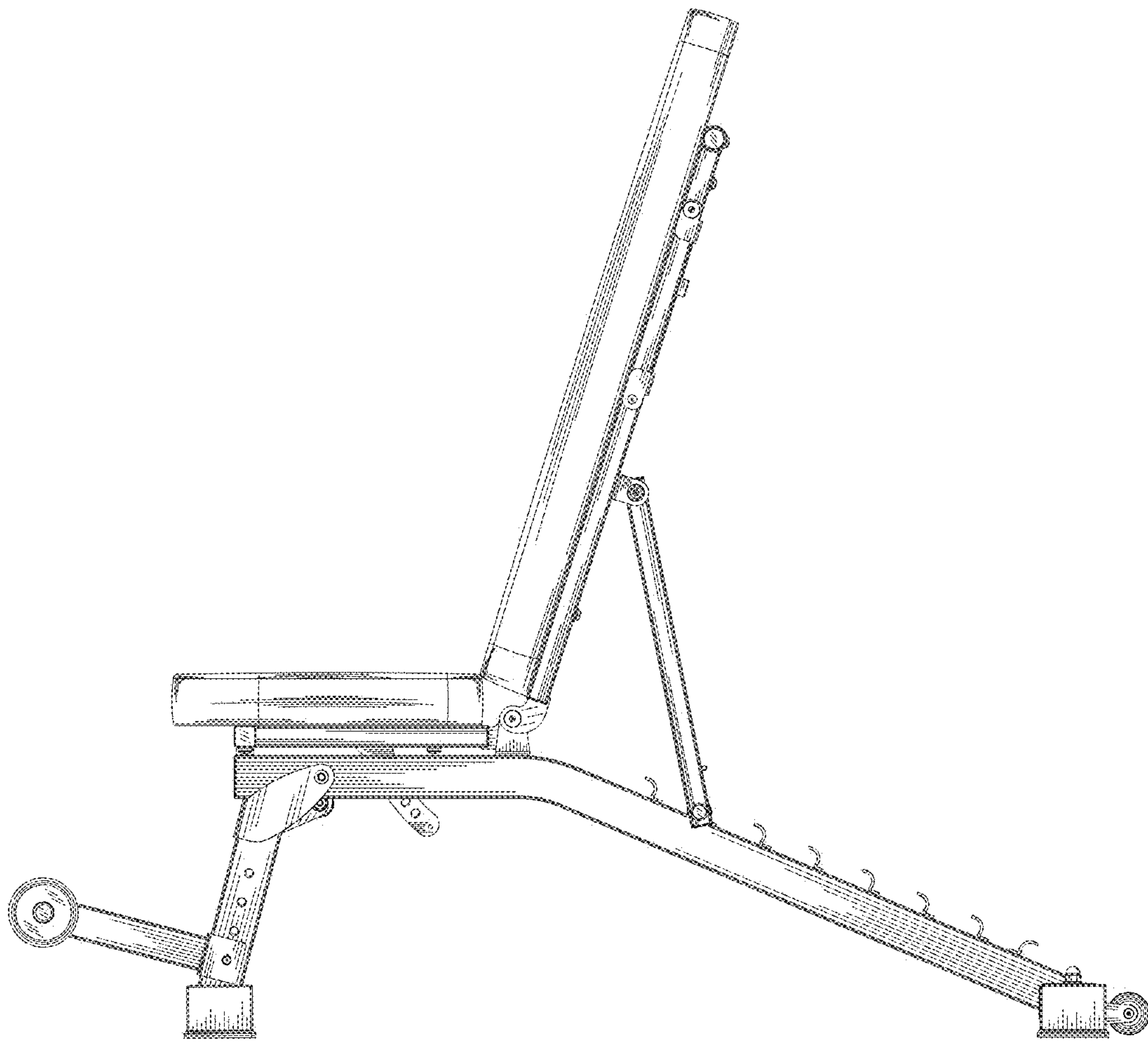


FIG.5

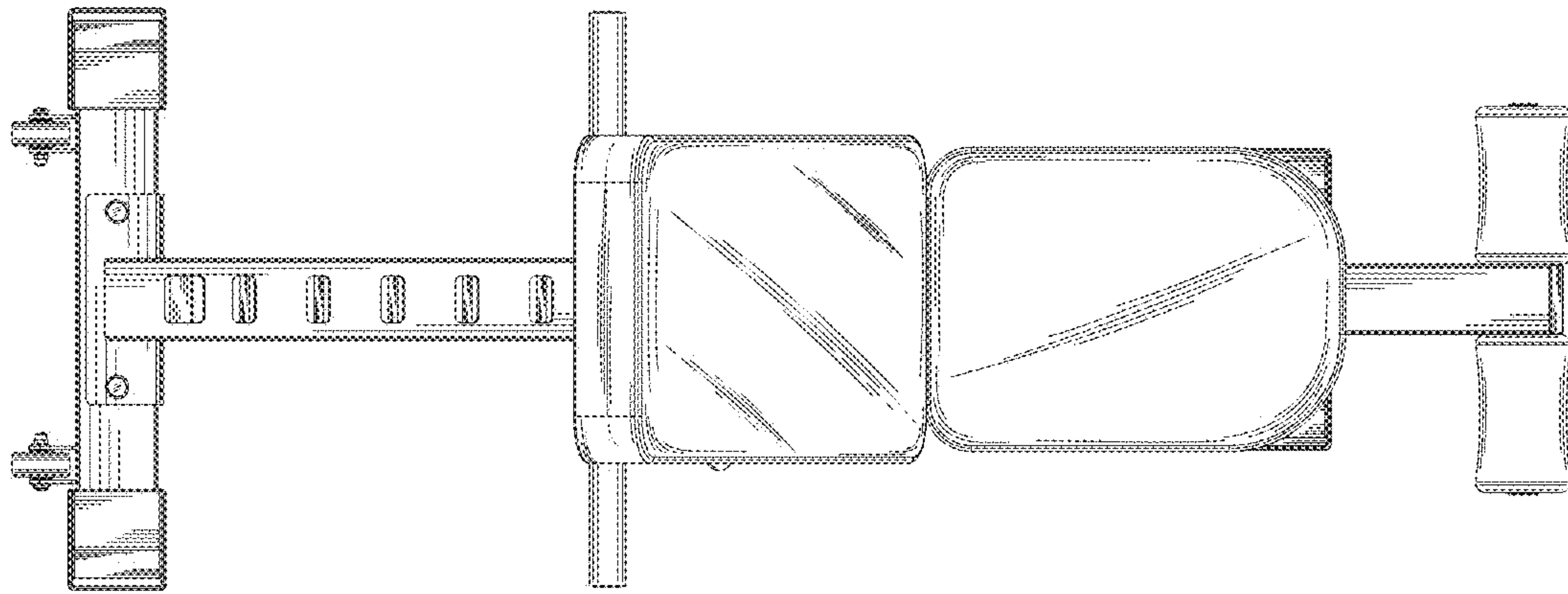


FIG.6

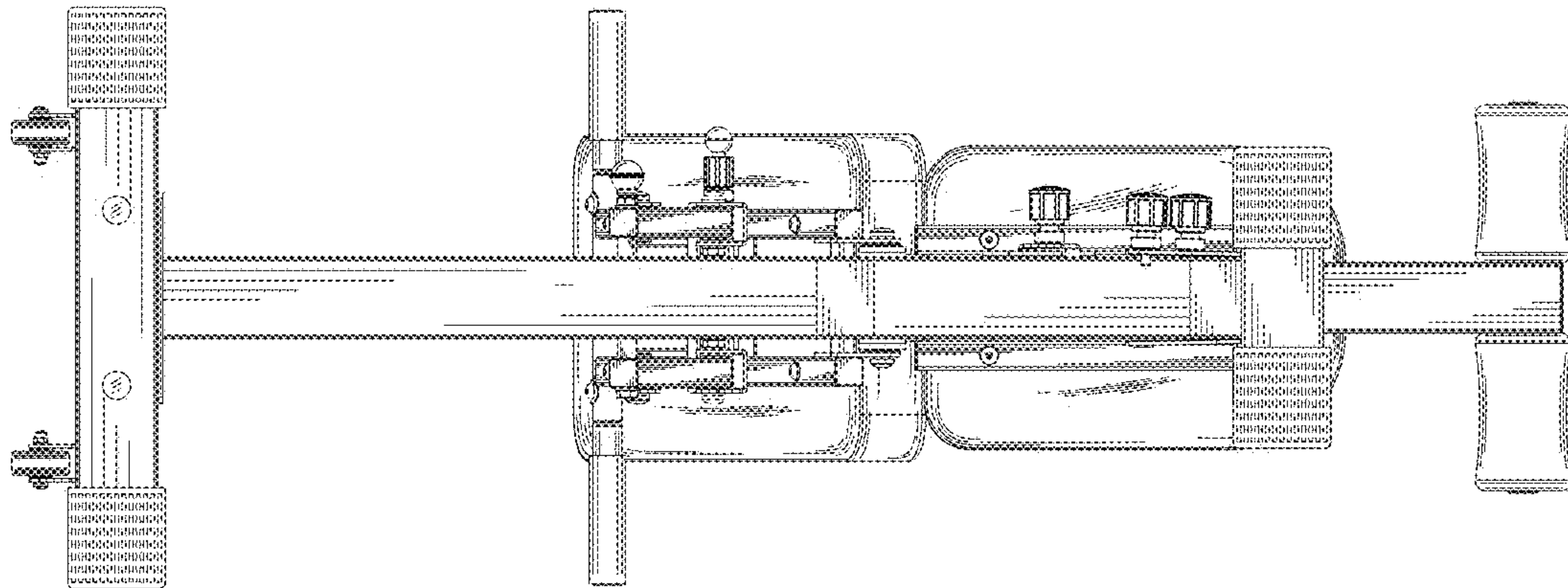


FIG. 7