



US00D907143S

(12) **United States Design Patent**  
**Ach et al.**

(10) **Patent No.:** **US D907,143 S**  
(45) **Date of Patent:** **\*\* Jan. 5, 2021**

(54) **REHABILITATION DEVICE**

D744,050 S \* 11/2015 Colburn ..... D21/663  
D794,142 S \* 8/2017 Zhou ..... D21/663  
2020/0289881 A1\* 9/2020 Hacking ..... A63B 21/4034

(71) Applicant: **ROM TECHNOLOGIES, INC.**, Las Vegas, NV (US)

(72) Inventors: **Samuel Marcus Ach**, Portland, OR (US); **Doug Golenz**, Littleton, CO (US)

(73) Assignee: **ROM Technologies, Inc.**, Las Vegas, NV (US)

(\*\*) Term: **15 Years**

(21) Appl. No.: **29/717,404**

(22) Filed: **Dec. 17, 2019**

(51) **LOC (13) Cl.** ..... **21-02**

(52) **U.S. Cl.**  
USPC ..... **D21/663**

(58) **Field of Classification Search**  
USPC ..... D21/419, 432, 435, 667, 666, 668, 690, D21/676, 691, 662, 675, 686, 694, 663, D21/697; D6/552; D12/108, 109, 111, D12/112, 113, 124, 178, 345, 411  
See application file for complete search history.

(56) **References Cited**

**U.S. PATENT DOCUMENTS**

D438,580 S \* 3/2001 Shaw ..... D21/663  
D450,100 S \* 11/2001 Hsu ..... D21/694  
D450,101 S \* 11/2001 Hsu ..... D21/694  
D451,972 S \* 12/2001 Easley ..... D21/694  
D452,285 S \* 12/2001 Easley ..... D21/694  
D454,605 S \* 3/2002 Lee ..... D21/694  
D459,776 S \* 7/2002 Lee ..... D21/697

**OTHER PUBLICATIONS**

HCI Fitness physio trainer, announced 2017 [online], [site visited Nov. 10, 2020]. Available from internet, URL: [https://www.amazon.com/HCI-Fitness-PhysioTrainer-Electronically-Controlled/dp/B0759YMW78/ref=sr\\_1\\_1?dchild=1&keywords=physiotrainer+pro&qid=1605305688&sr=8-1](https://www.amazon.com/HCI-Fitness-PhysioTrainer-Electronically-Controlled/dp/B0759YMW78/ref=sr_1_1?dchild=1&keywords=physiotrainer+pro&qid=1605305688&sr=8-1) (Year: 2017).\*  
HCI Fitness physio trainer, announced 2009 [online], [site visited Nov. 10, 2020]. Available from internet, URL: <https://www.amazon.com/HCI-Fitness-PhysioTrainer-Upper-Ergonometer/dp/B001P5GUGM> (Year: 2009).\*

\* cited by examiner

*Primary Examiner* — Khawaja Anwar  
*Assistant Examiner* — Julice Seung Eun Oum  
(74) *Attorney, Agent, or Firm* — Dickinson Wright, PLLC; Stephen A. Mason; Michael E. Noe, Jr.

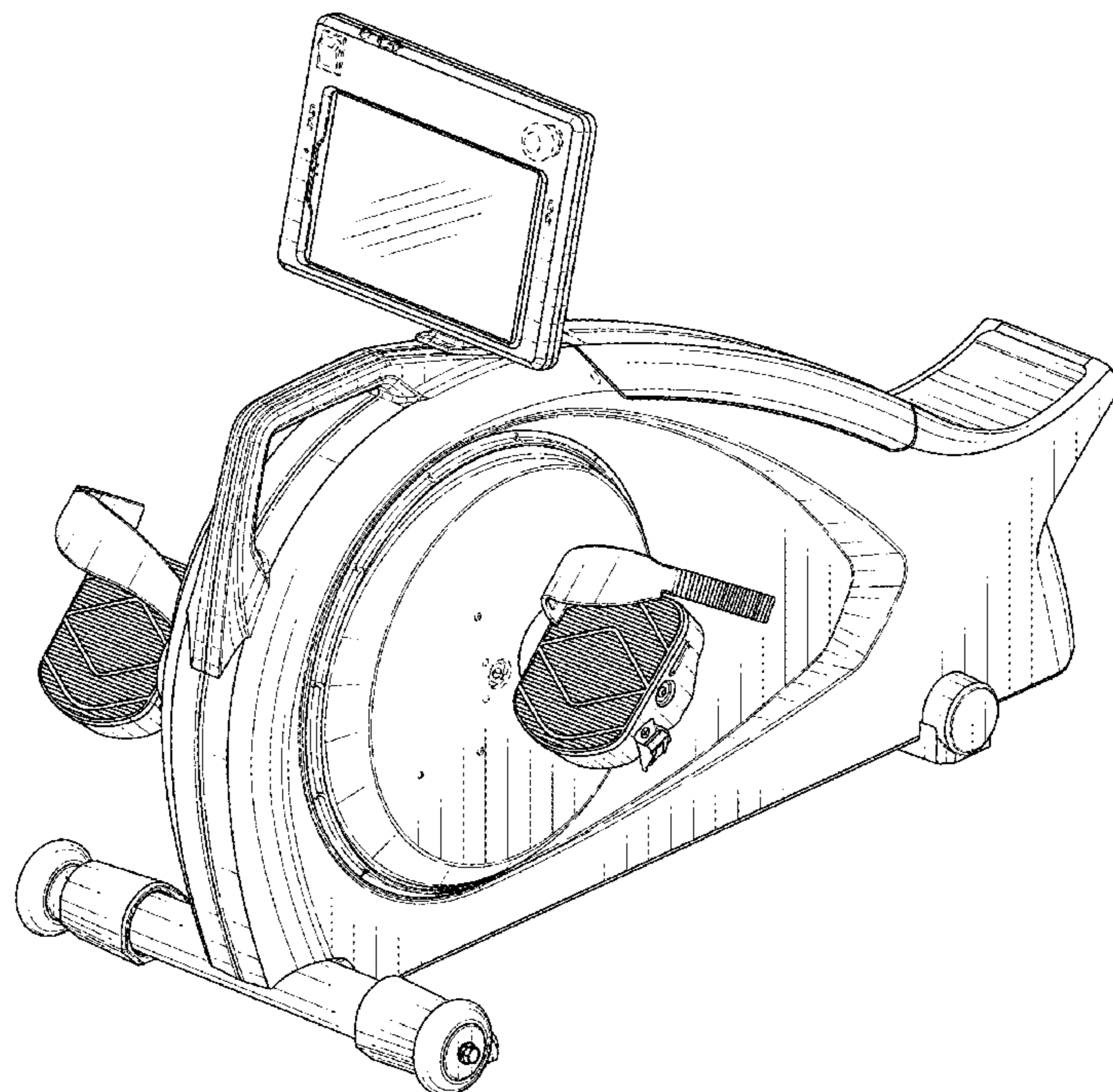
(57) **CLAIM**

The ornamental design for a rehabilitation device, substantially as shown and described.

**DESCRIPTION**

FIG. 1 is a top isometric view of a rehabilitation device showing our new design.  
FIG. 2 is a front view of the device of FIG. 1.  
FIG. 3 is a rear view of the device of FIG. 1.  
FIG. 4 is right side view of the device of FIG. 1.  
FIG. 5 is a left side view of the device of FIG. 1; and, FIG. 6 is a top view of the device of FIG. 1.  
The dashed lines form no part of the claimed design.

**1 Claim, 6 Drawing Sheets**



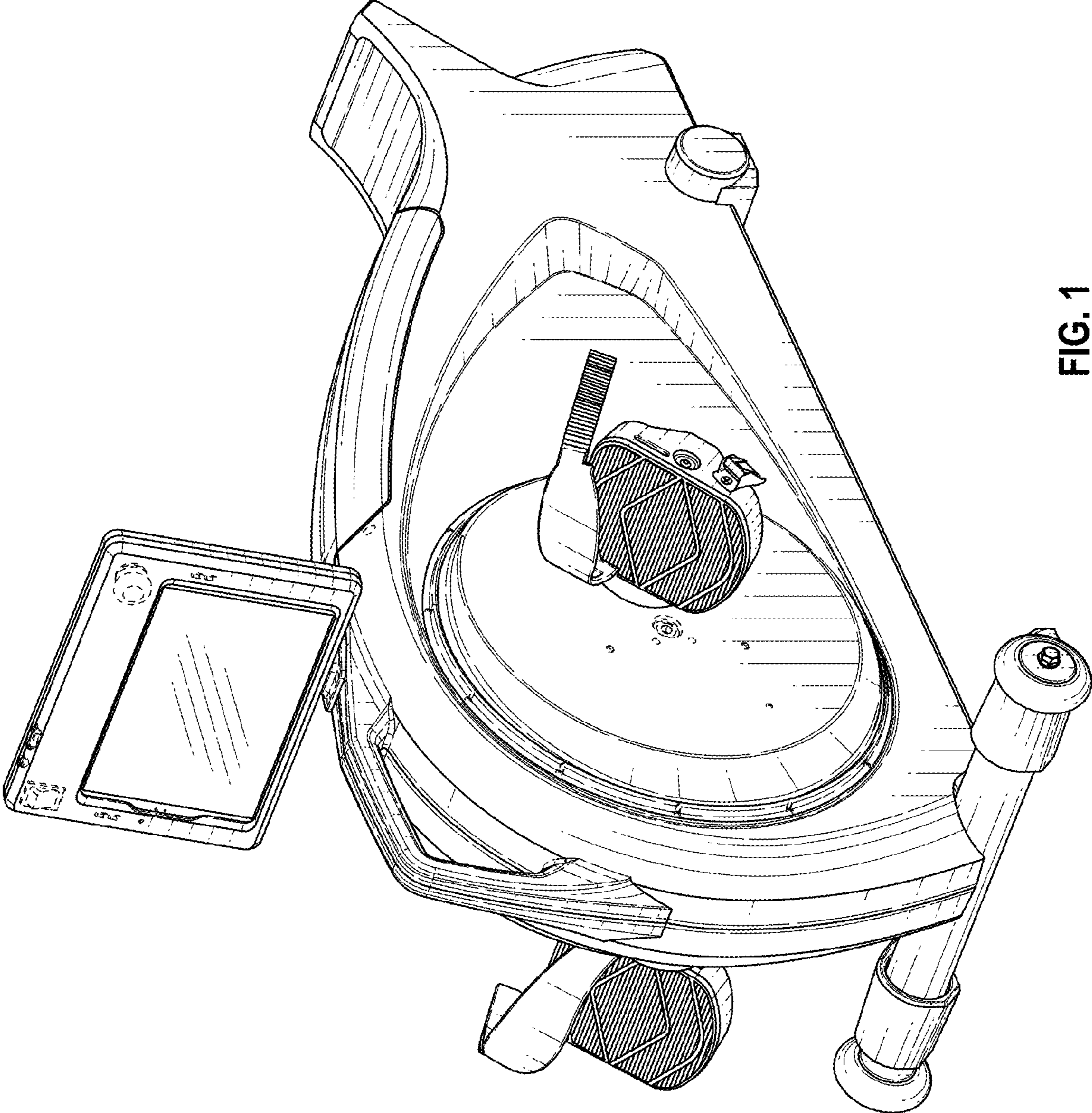


FIG. 1

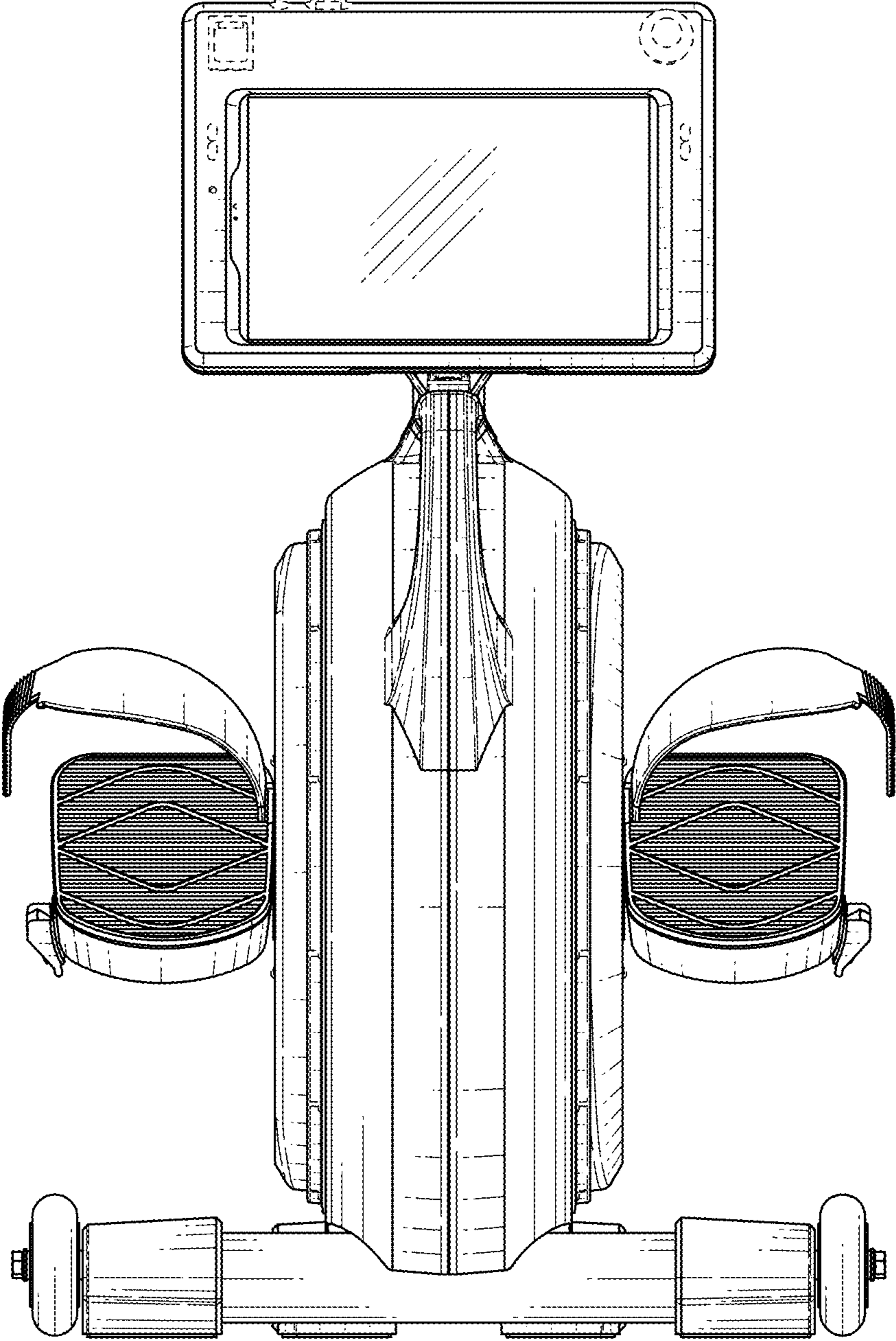


FIG. 2

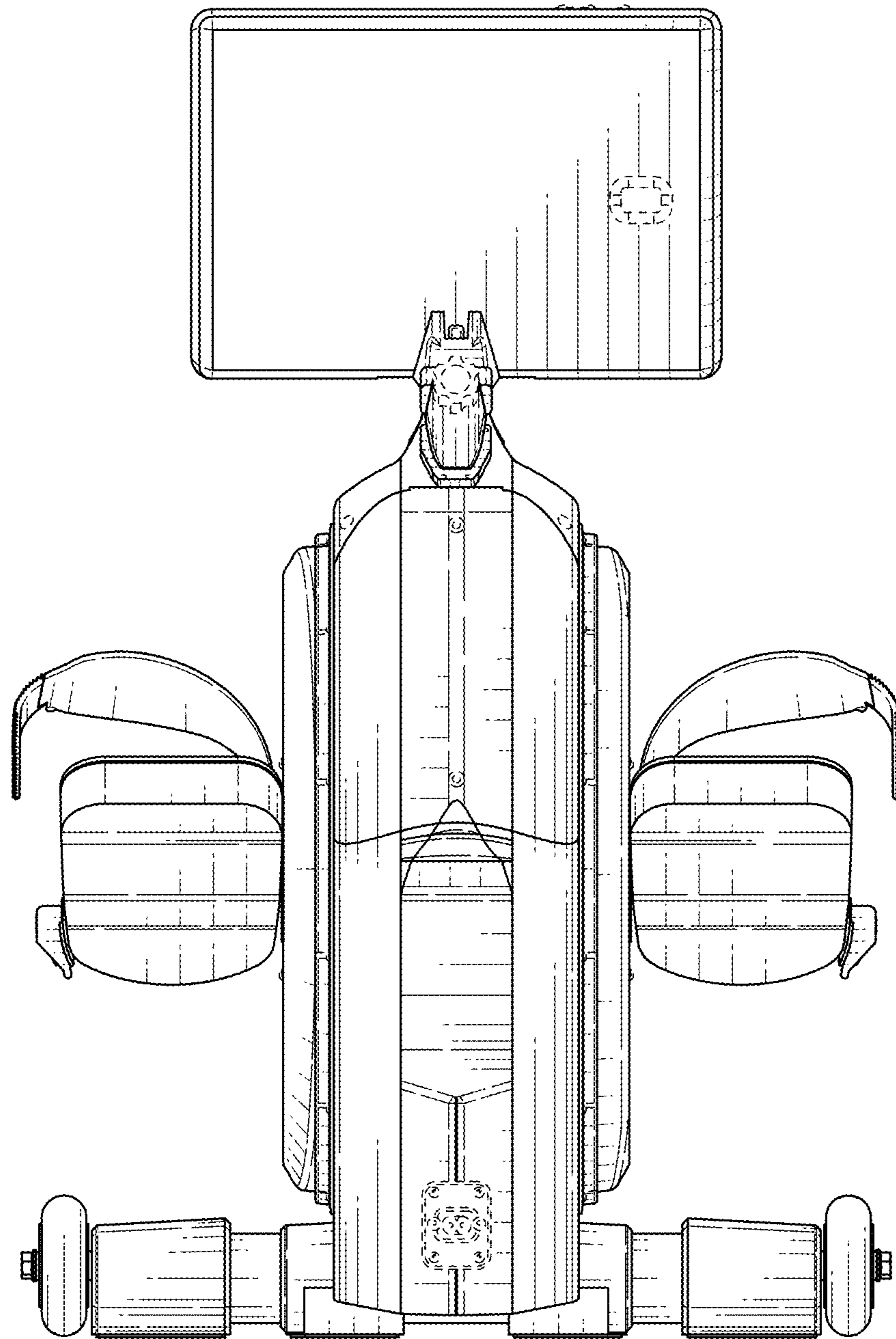
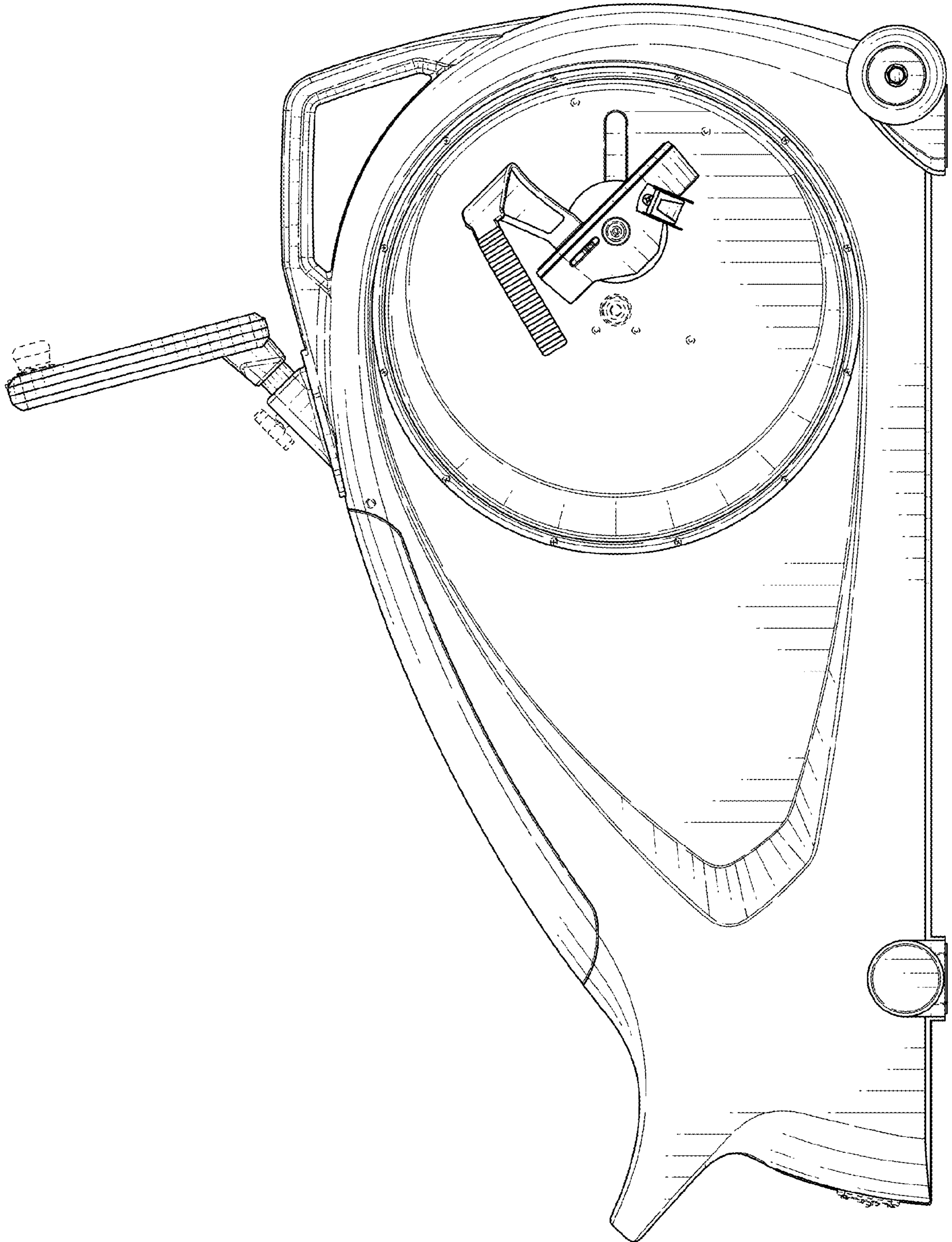


FIG. 3

FIG. 4



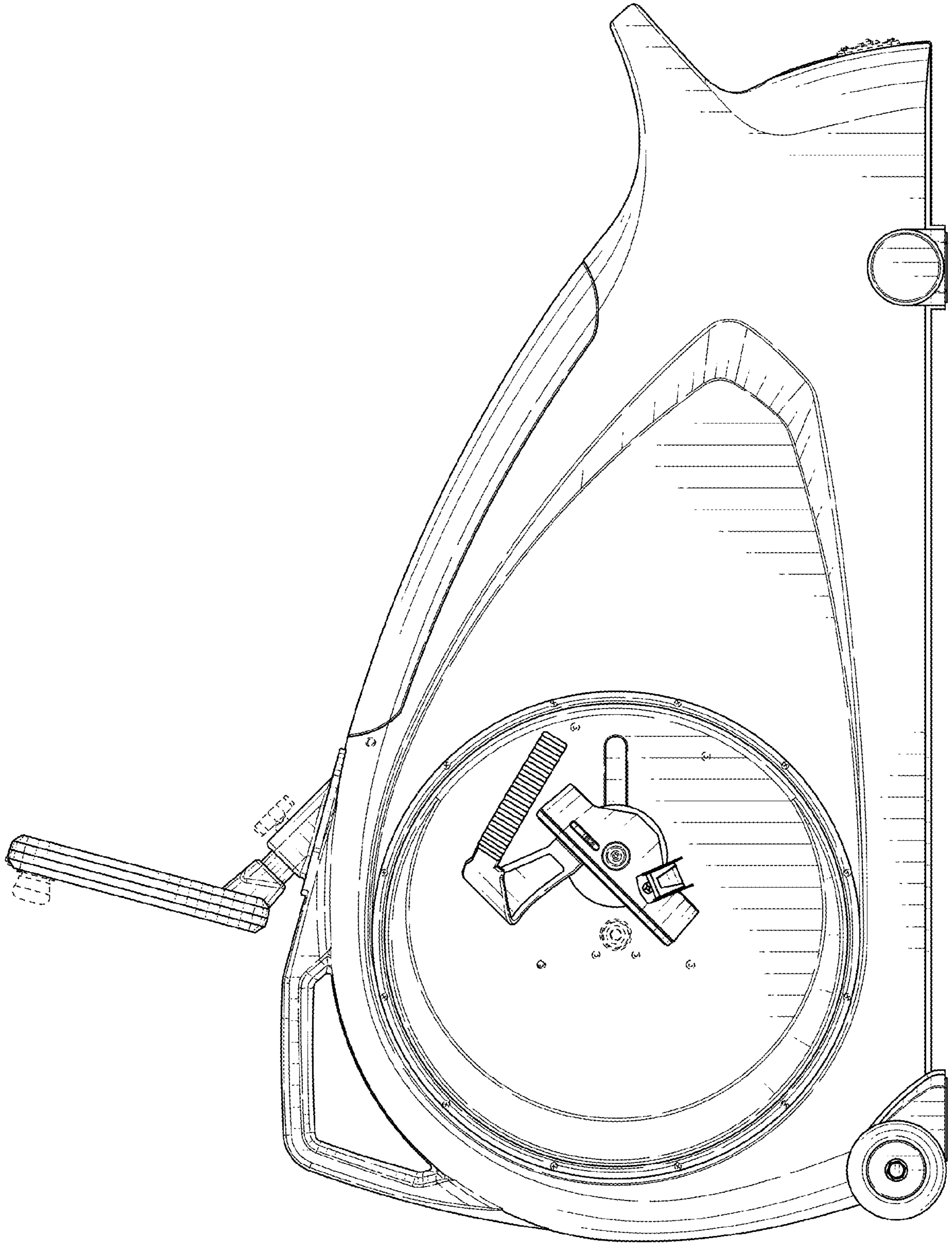


FIG. 5

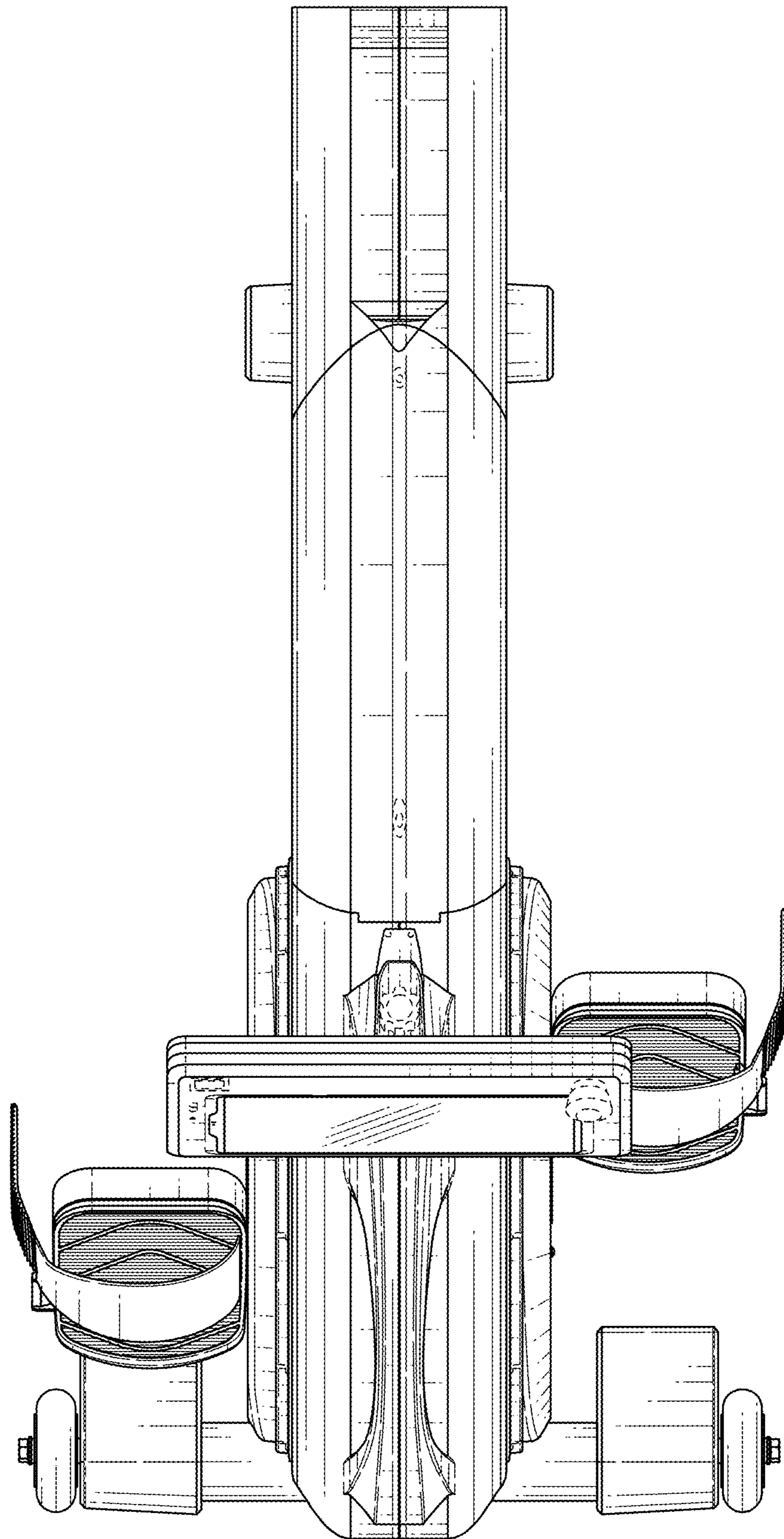


FIG. 6