



US00D907142S

(12) **United States Design Patent**
Ku

(10) **Patent No.:** **US D907,142 S**

(45) **Date of Patent:** **** Jan. 5, 2021**

(54) **VIBRATING FITNESS MACHINE**
(71) Applicant: **Li-Chen Ku**, Taichung (TW)
(72) Inventor: **Li-Chen Ku**, Taichung (TW)
(**) Term: **15 Years**

(21) Appl. No.: **29/671,127**
(22) Filed: **Nov. 23, 2018**
(51) **LOC (13) Cl.** **21-02**
(52) **U.S. Cl.**
USPC **D21/662**
(58) **Field of Classification Search**
USPC D21/423, 662, 676, 687, 690, 691;
D10/92, 94
CPC A47C 1/02
See application file for complete search history.

(56) **References Cited**
U.S. PATENT DOCUMENTS
D576,228 S * 9/2008 Hahn D21/662
D591,366 S * 4/2009 Decommer D21/662
D591,625 S * 5/2009 Taylor D10/91
D591,804 S * 5/2009 Tsuchida D21/662
D599,862 S * 9/2009 Decommer D21/662

D626,185 S * 10/2010 Wu D21/662
D633,580 S * 3/2011 Wu D21/662
D635,202 S * 3/2011 Chang D21/662
D640,334 S * 6/2011 Aboody D21/662
D640,335 S * 6/2011 Aboody D21/662
D640,336 S * 6/2011 Aboody D21/662
D746,708 S * 1/2016 Yang D10/91
D875,192 S * 2/2020 Ci D21/686

* cited by examiner

Primary Examiner — Michael C Stout
Assistant Examiner — Melvin L Davis

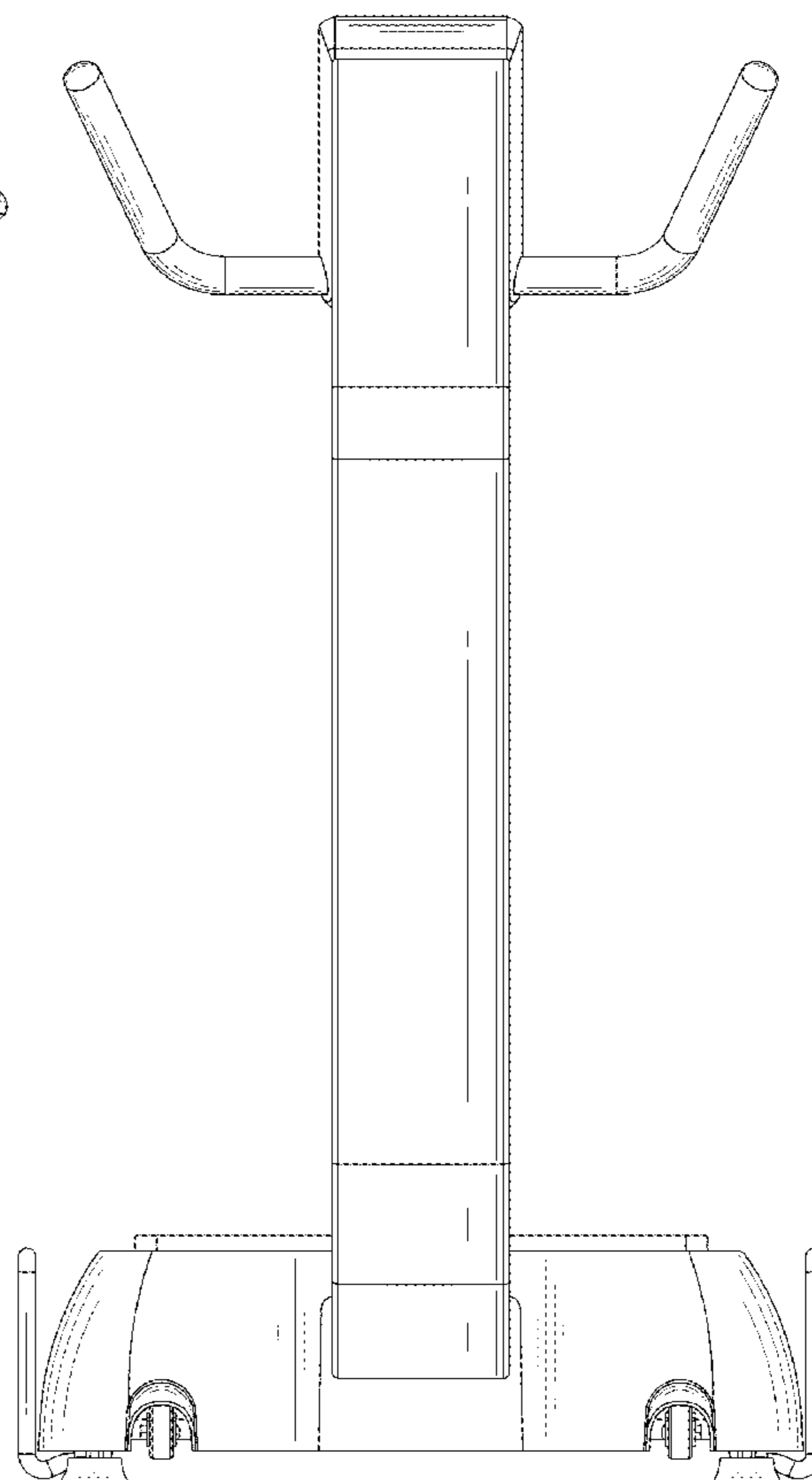
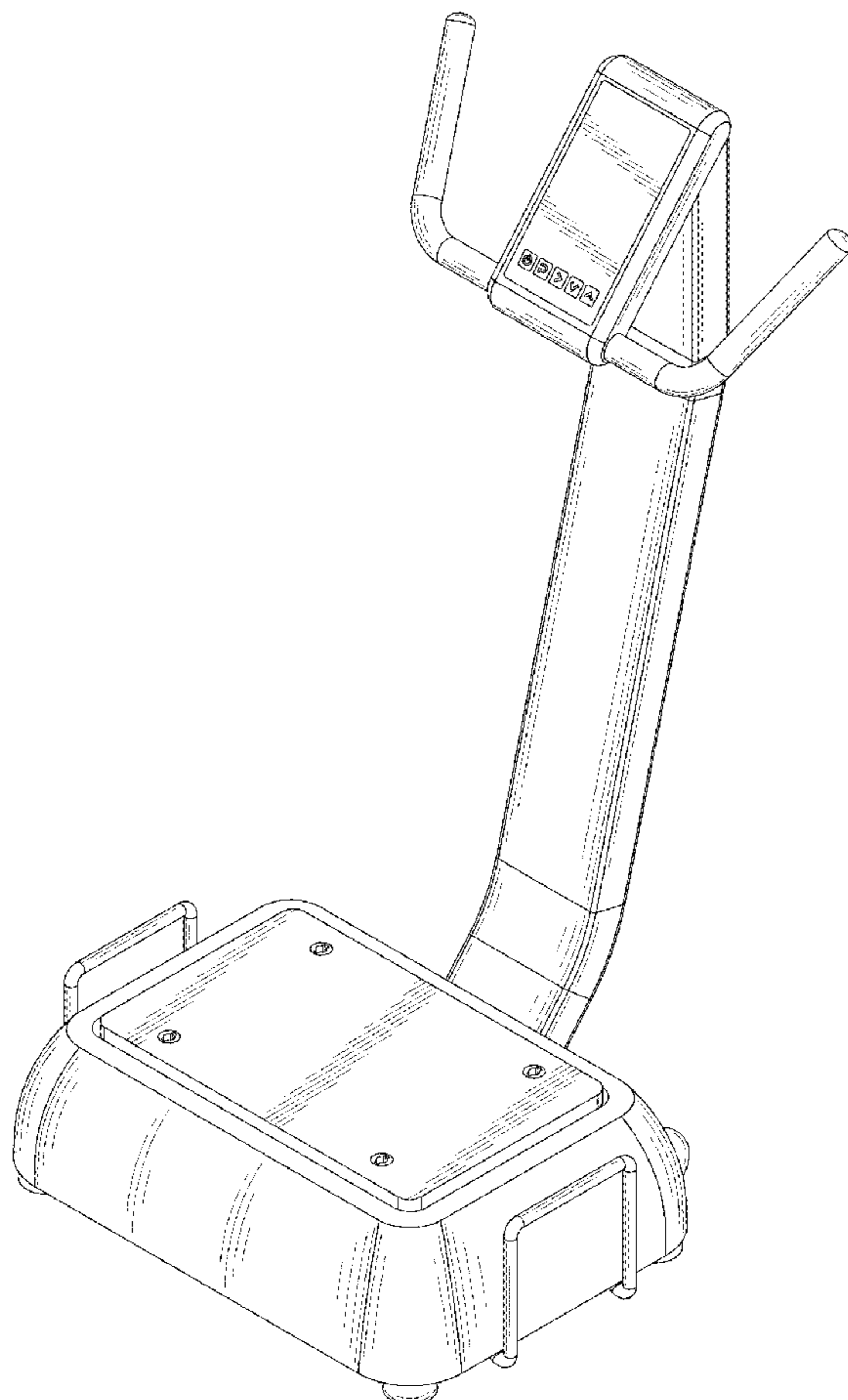
(57) **CLAIM**

The ornamental design for a vibrating fitness machine, as shown and described.

DESCRIPTION

FIG. 1 is a front-right-top perspective view of the vibrating fitness machine showing my new design;
FIG. 2 is a front elevational view thereof;
FIG. 3 is a rear front elevational view thereof;
FIG. 4 is a left side elevational view thereof;
FIG. 5 is a right side elevational view thereof;
FIG. 6 is a top plan view thereof;
FIG. 7 is a bottom plan view thereof; and,
FIG. 8 is a front-right bottom perspective view thereof.

1 Claim, 8 Drawing Sheets



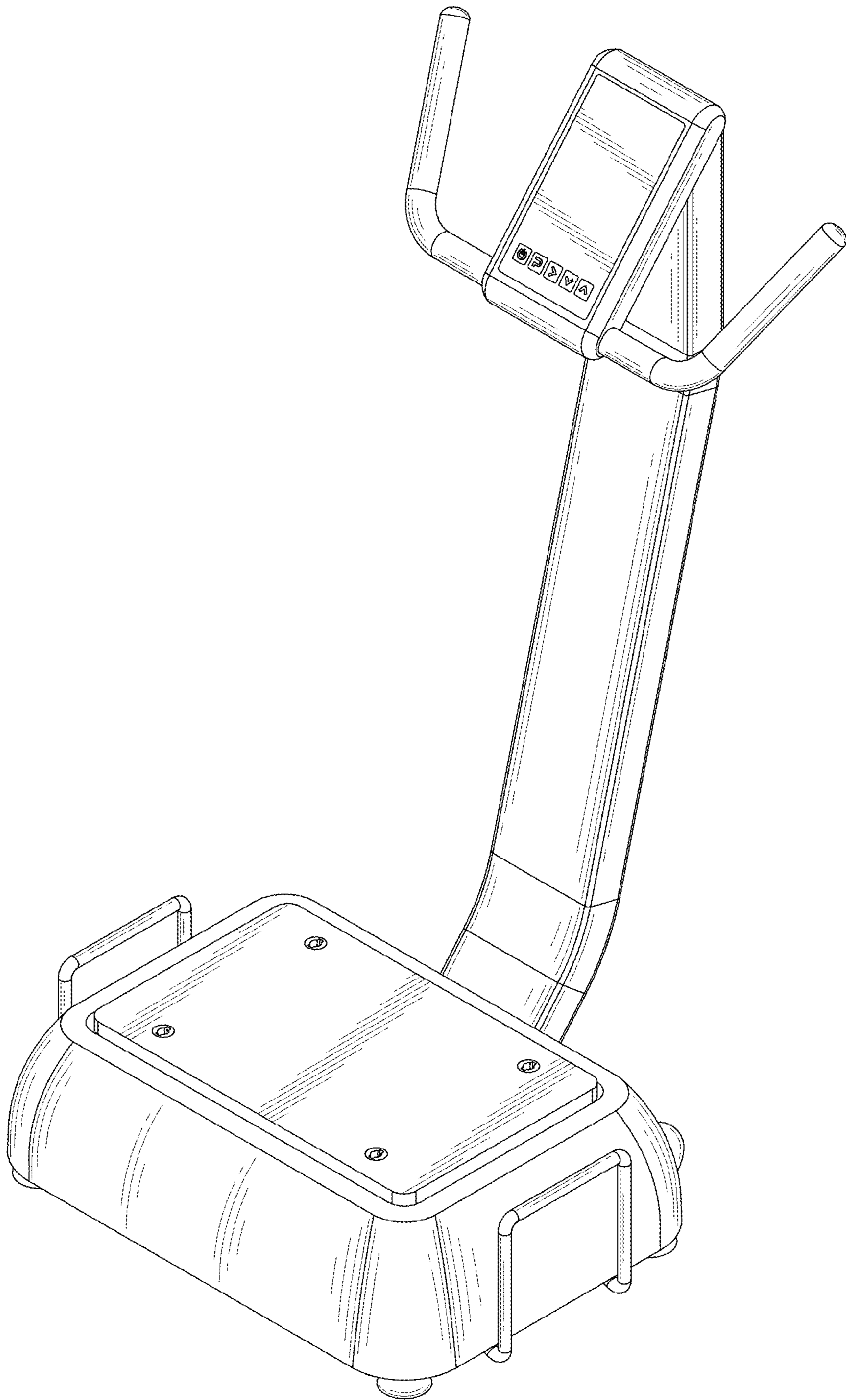


FIG.1

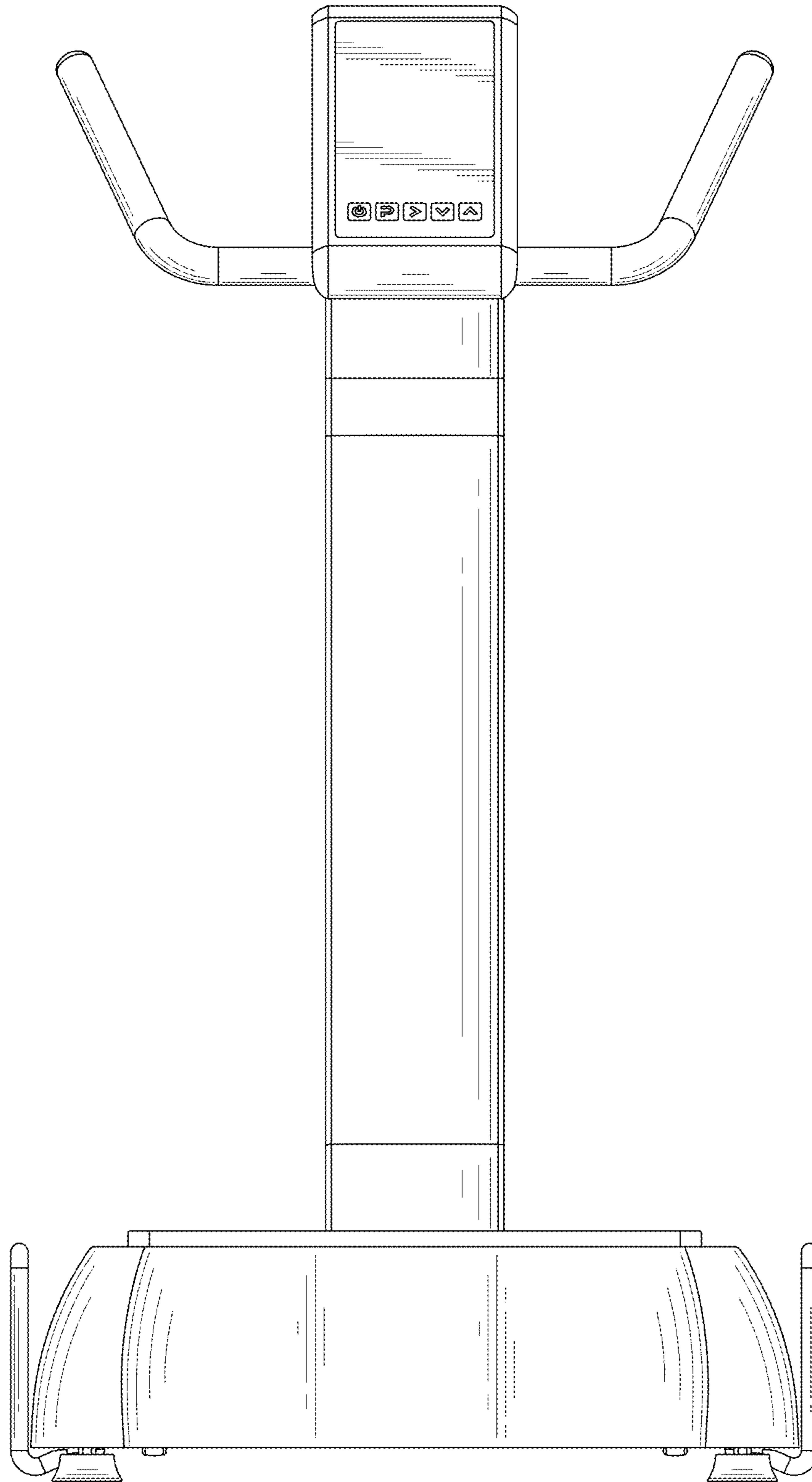


FIG.2

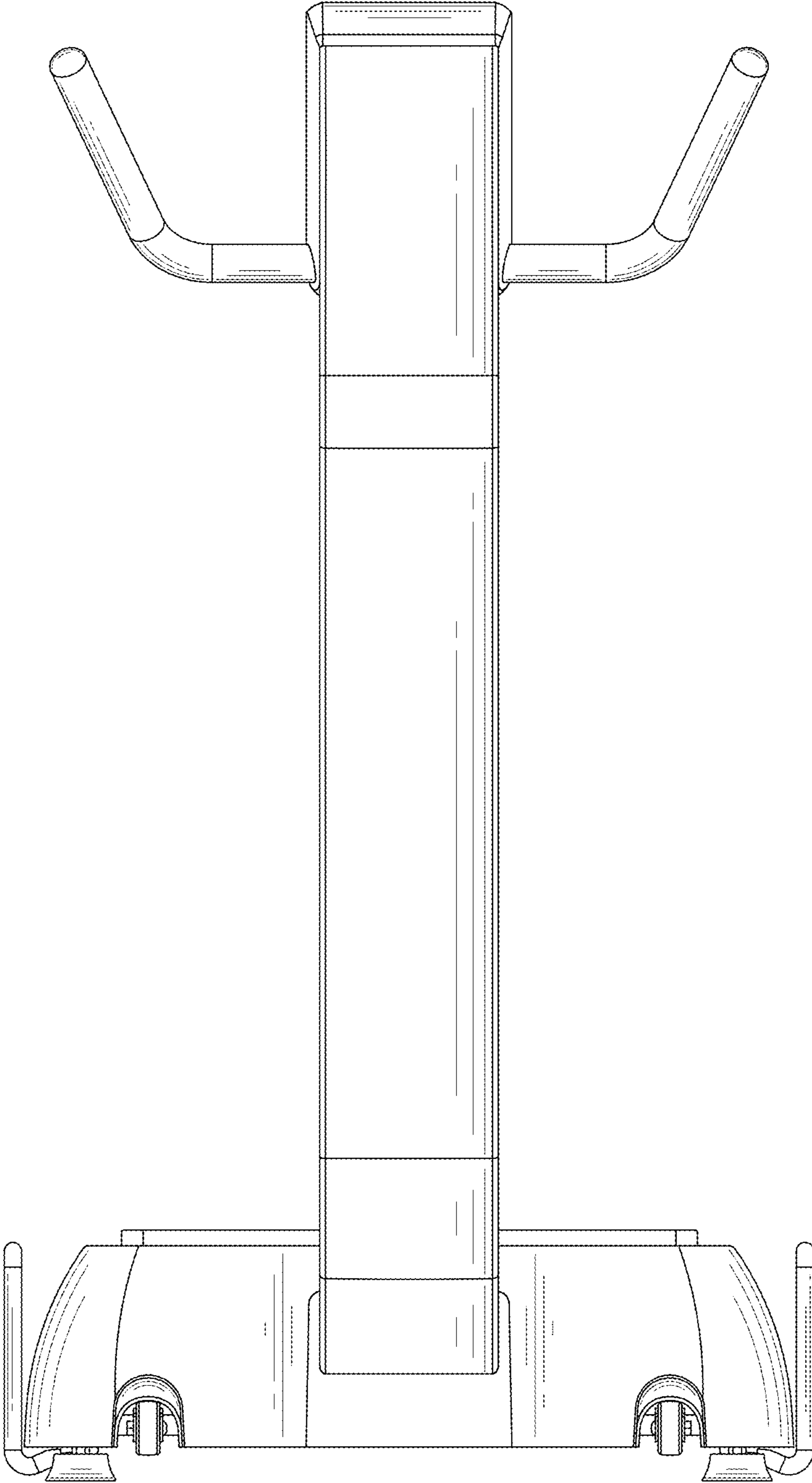


FIG.3

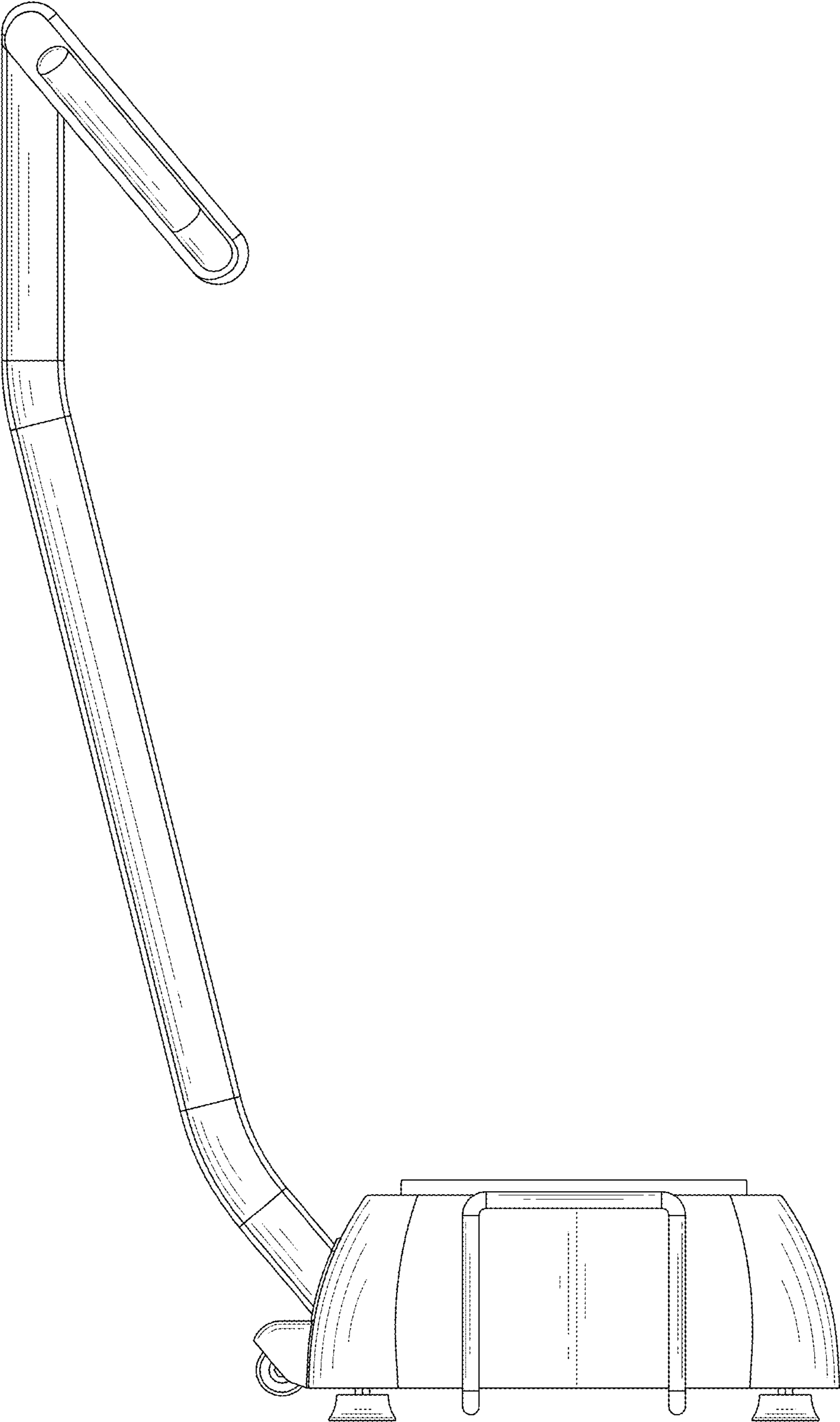


FIG.4

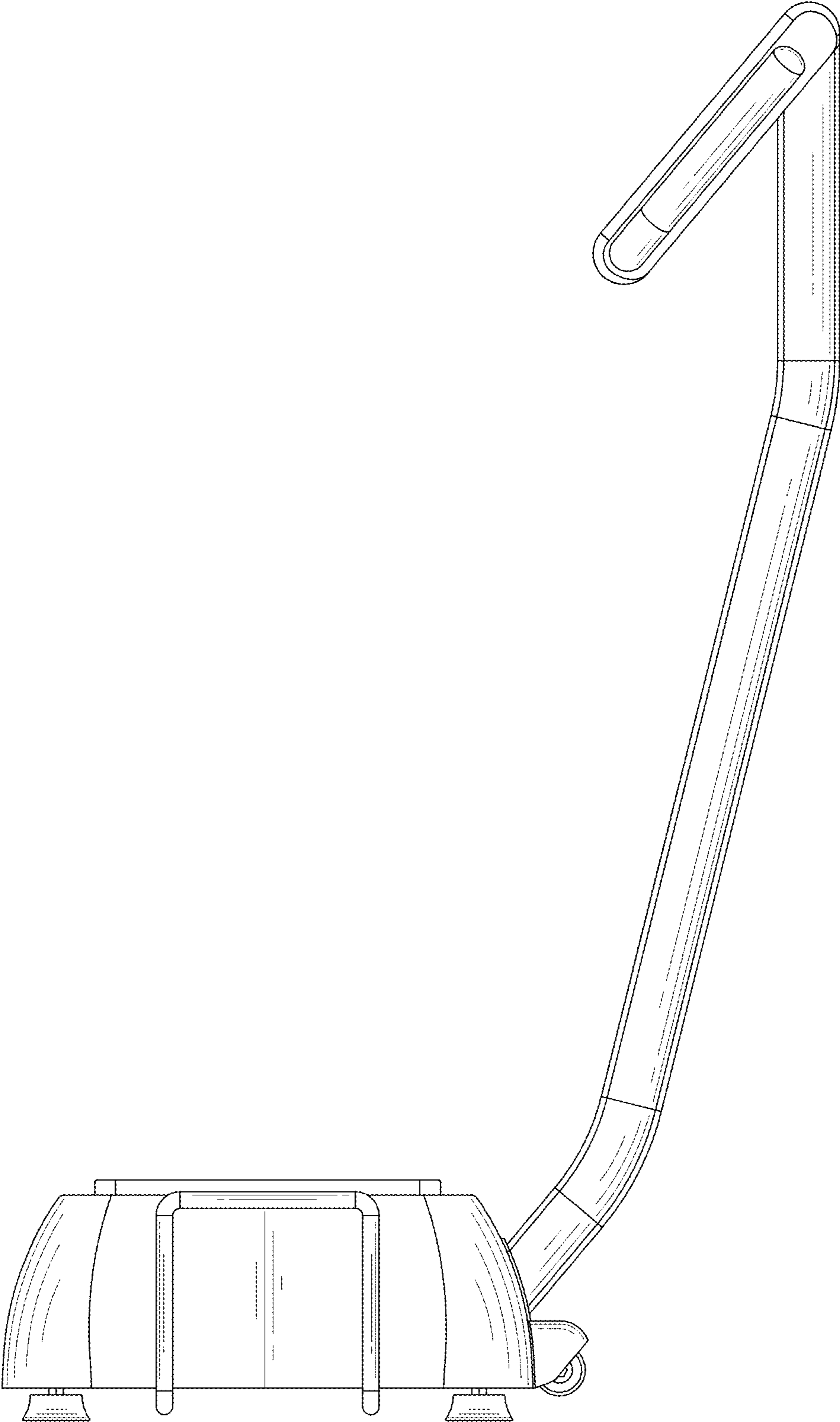


FIG.5

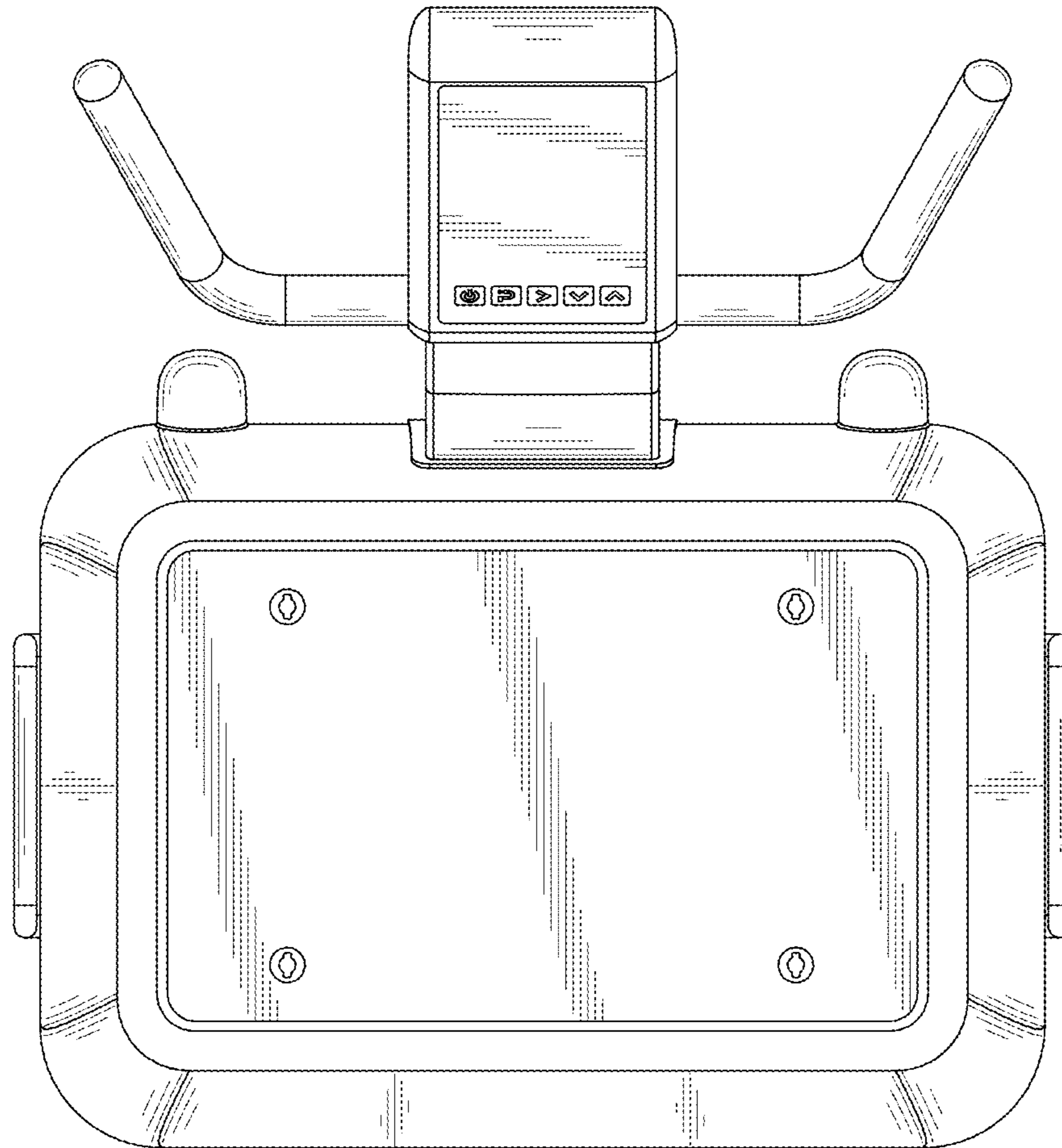


FIG.6

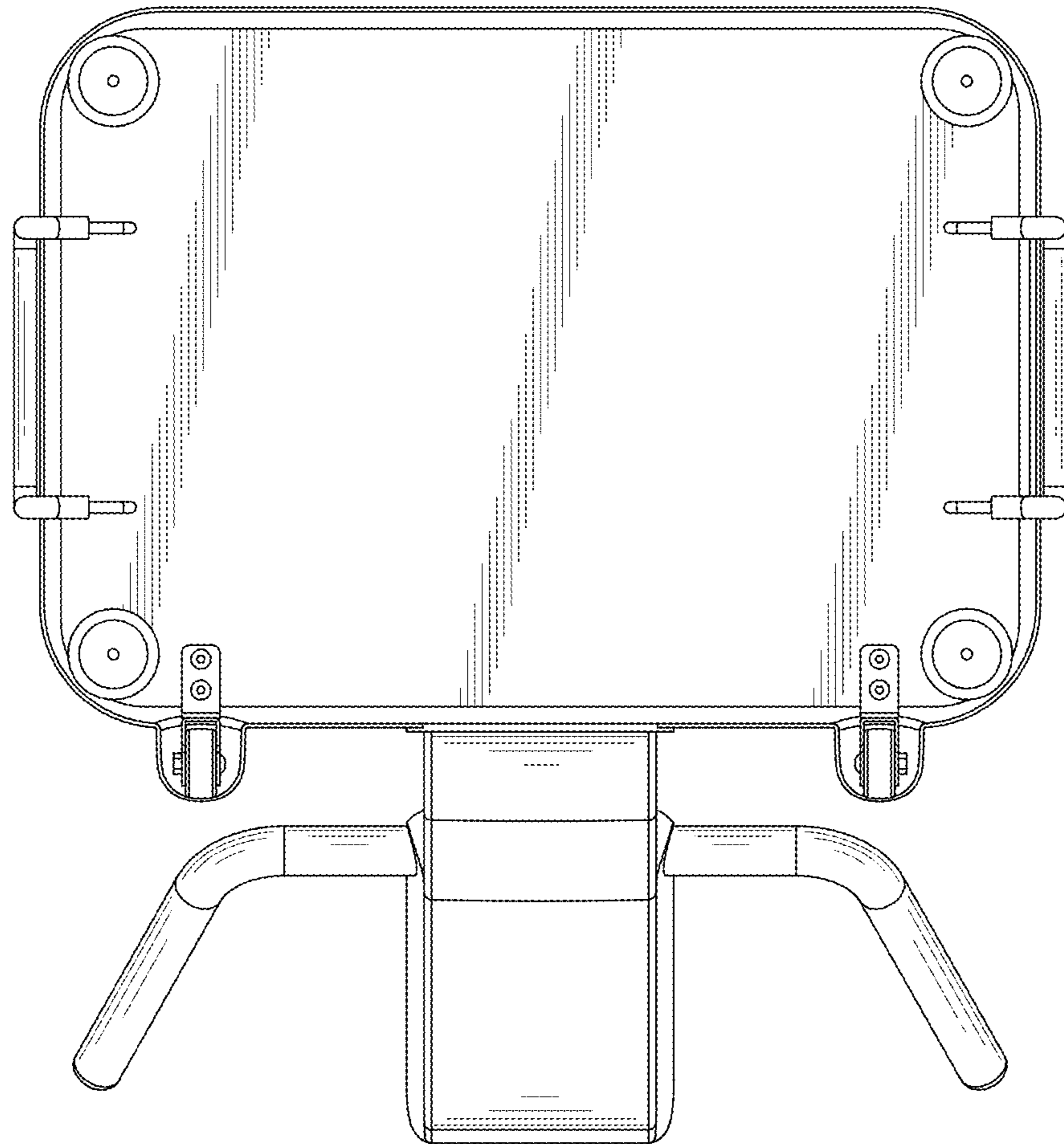


FIG.7

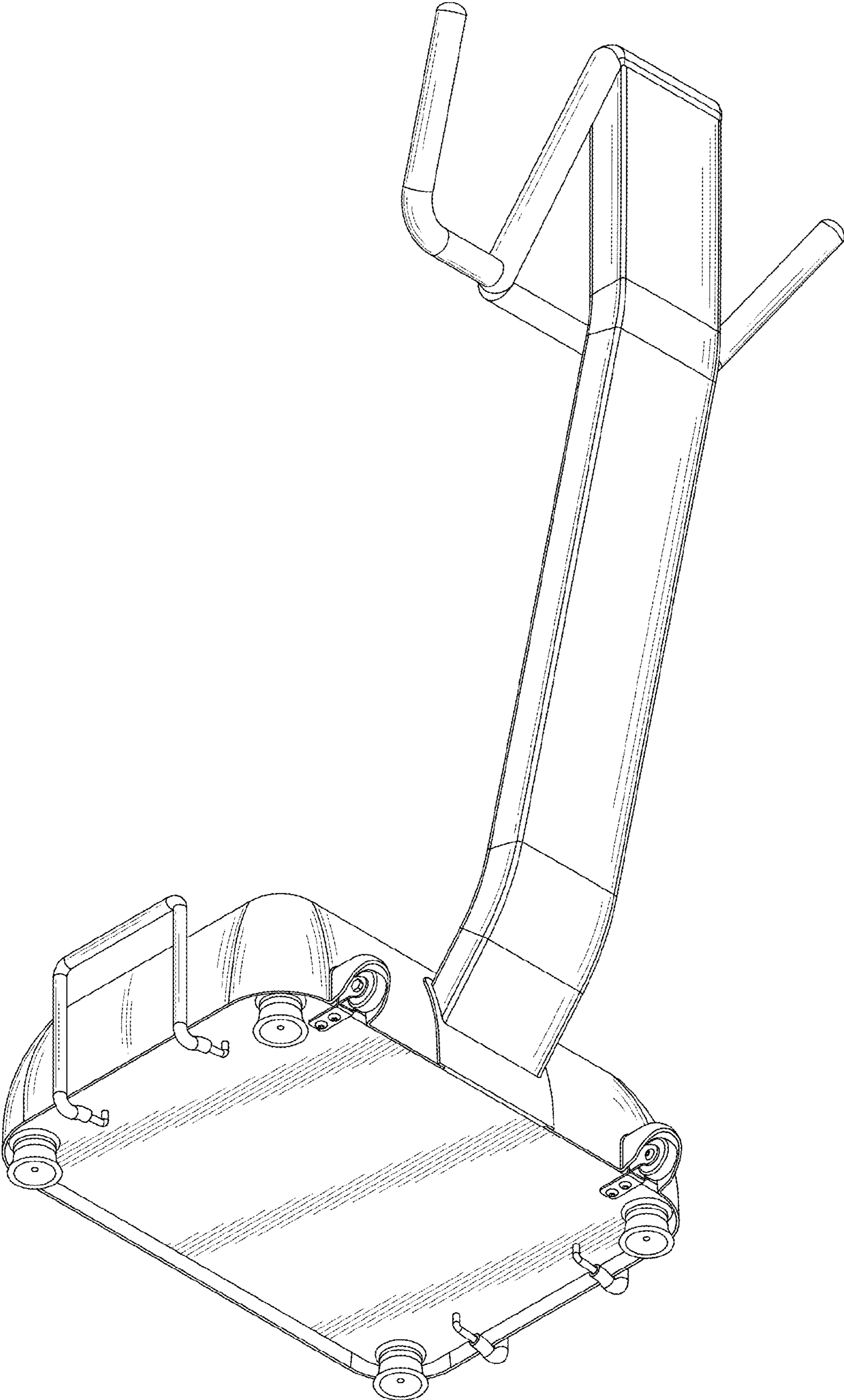


FIG.8