



US00D907141S

(12) **United States Design Patent**  
**Wang**

(10) **Patent No.:** **US D907,141 S**

(45) **Date of Patent:** **\*\* Jan. 5, 2021**

(54) **EXERCISING APPARATUS**

(71) Applicant: **Yu-Ling Wang**, Hsinchu (TW)

(72) Inventor: **Yu-Ling Wang**, Hsinchu (TW)

(\*\*) Term: **15 Years**

(21) Appl. No.: **29/644,515**

(22) Filed: **Apr. 18, 2018**

(51) **LOC (13) Cl.** ..... **21-02**

(52) **U.S. Cl.**  
USPC ..... **D21/662; D21/690; D6/367**

(58) **Field of Classification Search**  
USPC ..... D21/423, 662, 676, 687, 690, 691;  
D6/367  
CPC ..... A47C 1/02  
See application file for complete search history.

(56) **References Cited**

**U.S. PATENT DOCUMENTS**

- D294,892 S \* 3/1988 Hubert ..... D6/370
- 5,356,160 A \* 10/1994 Urlwin ..... A47C 7/006  
280/30
- D398,669 S \* 9/1998 Anderson ..... D21/662
- D406,286 S \* 3/1999 Chen ..... D21/662
- D432,600 S \* 10/2000 Szabo ..... D21/662
- D571,113 S \* 6/2008 Cohen ..... D6/368
- D604,373 S \* 11/2009 Dalebout ..... D21/687
- 7,618,357 B2 \* 11/2009 Dalebout ..... A63B 23/1209  
482/142

- 7,749,144 B2 \* 7/2010 Hammer ..... A63B 21/1609  
482/142
- 8,056,979 B2 \* 11/2011 McBride ..... A47C 1/02  
297/326
- D660,032 S \* 5/2012 Lin ..... D6/368
- D692,967 S \* 11/2013 Alessandri ..... D21/675
- D730,458 S \* 5/2015 Zhu ..... D21/690
- D848,755 S \* 5/2019 Sabbagh ..... D6/361
- 10,631,651 B1 \* 4/2020 Hsu Besner ..... A47C 4/28

\* cited by examiner

*Primary Examiner* — Michael C Stout

*Assistant Examiner* — Melvin L Davis

(74) *Attorney, Agent, or Firm* — Muncy, Geissler, Olds & Lowe, P.C.

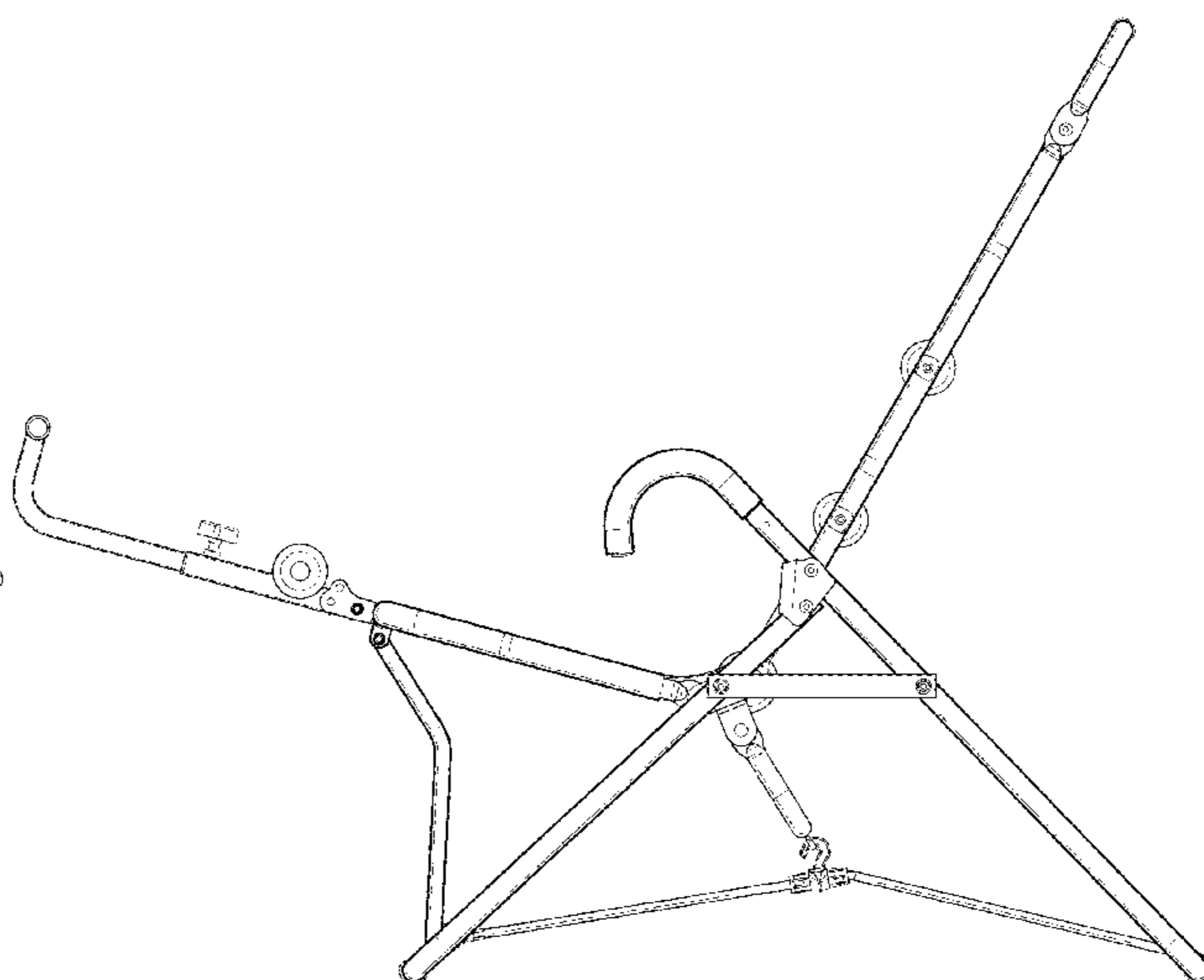
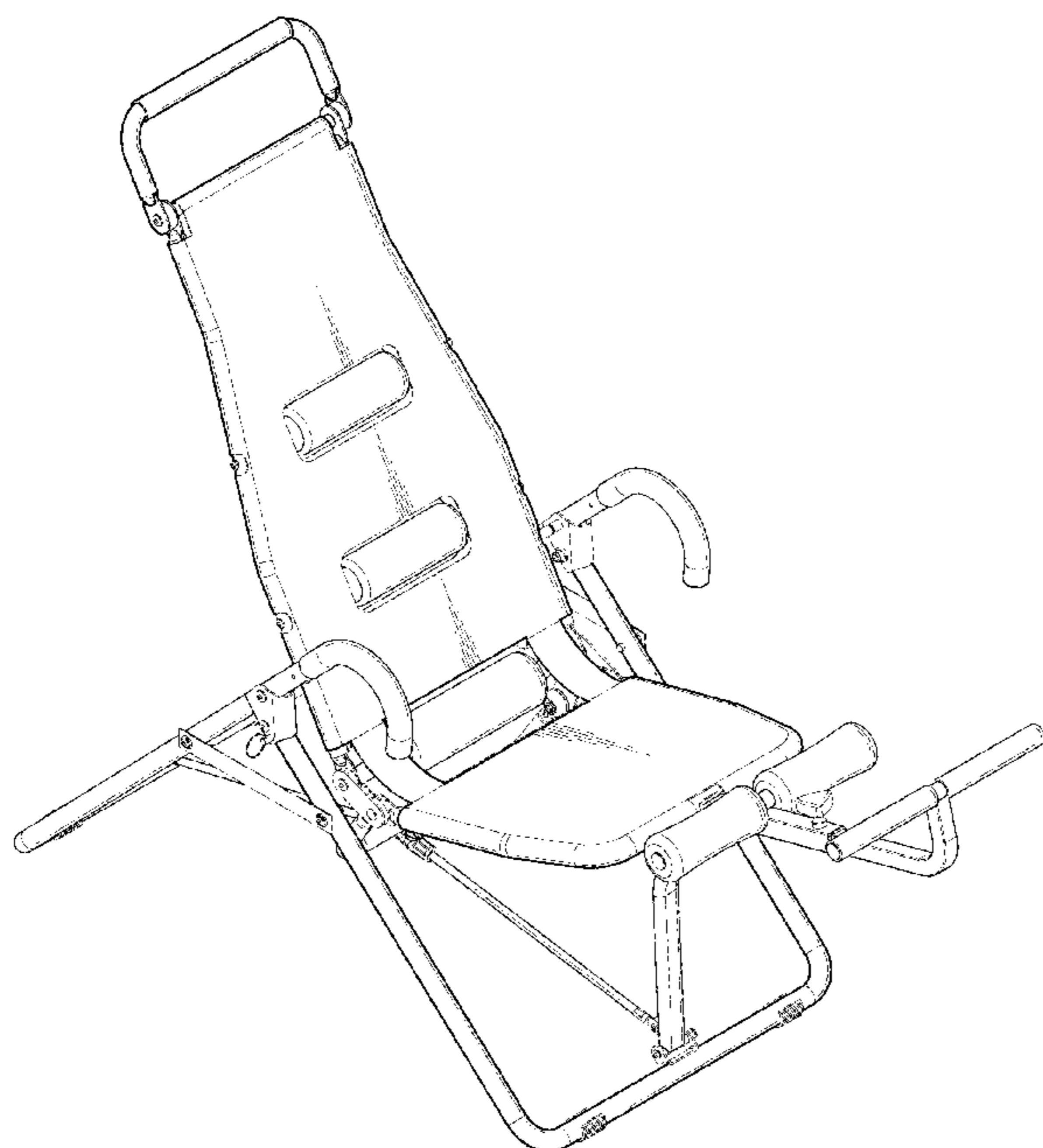
(57) **CLAIM**

The ornamental design for a exercising apparatus, as shown and described.

**DESCRIPTION**

FIG. 1 is a perspective view of a exercising apparatus showing my new design;  
 FIG. 2 is a front elevational view thereof;  
 FIG. 3 is a rear elevational view thereof;  
 FIG. 4 is a left side elevational view thereof;  
 FIG. 5 is a right side elevational view thereof;  
 FIG. 6 is a top plan view thereof;  
 FIG. 7 is a bottom plan view thereof; and,  
 FIG. 8 is another perspective view thereof.

**1 Claim, 7 Drawing Sheets**



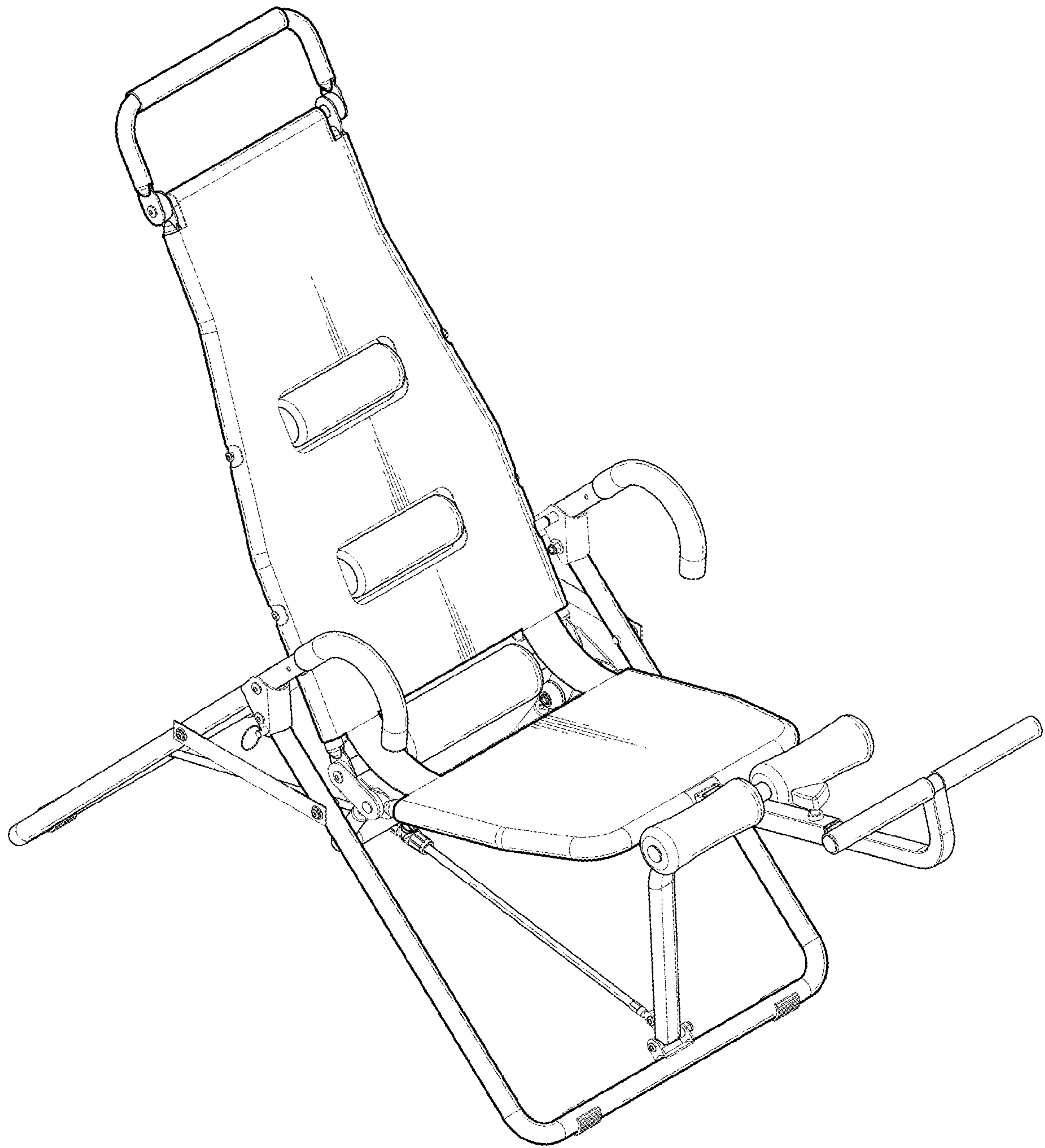


Fig. 1

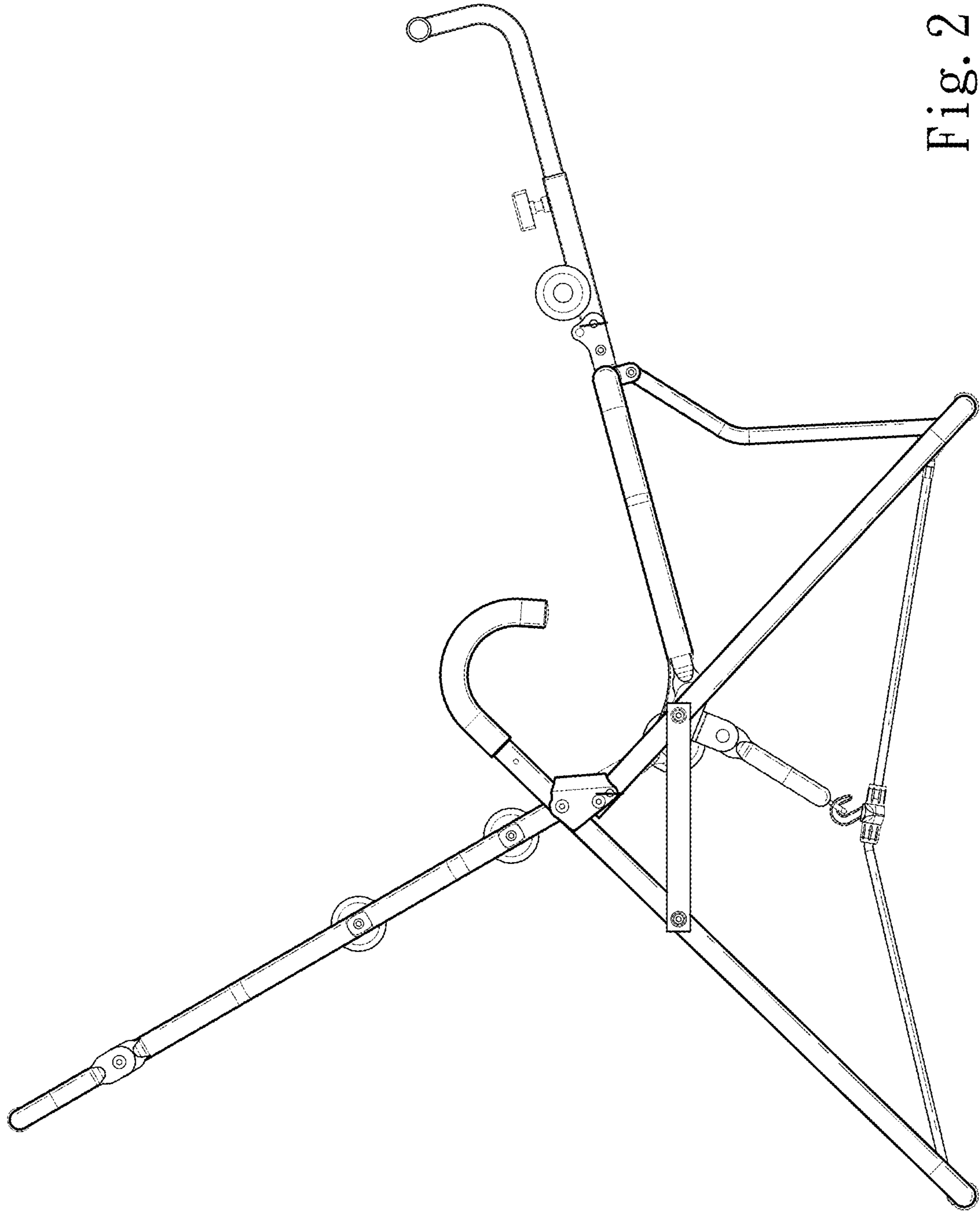


Fig. 2

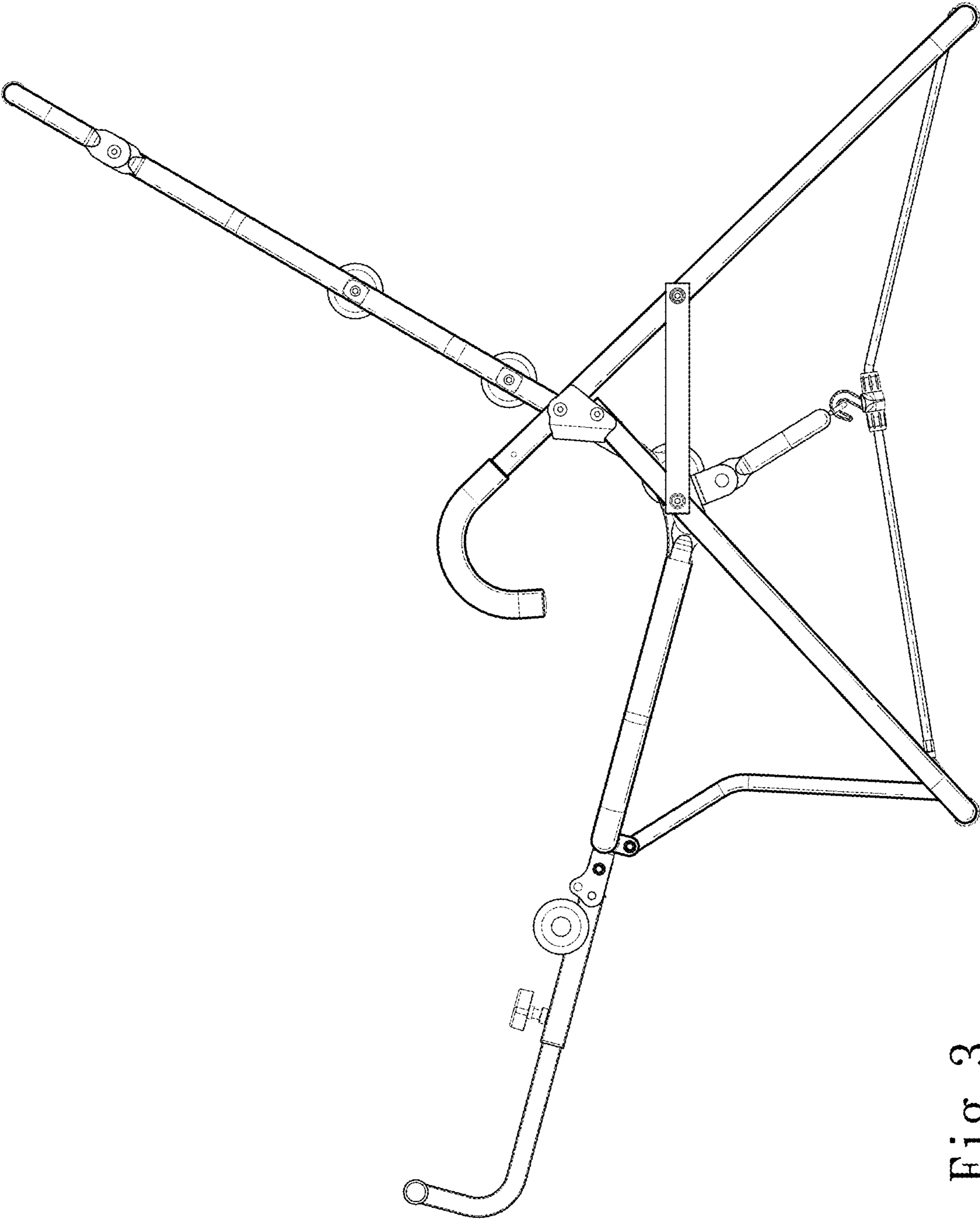


Fig. 3

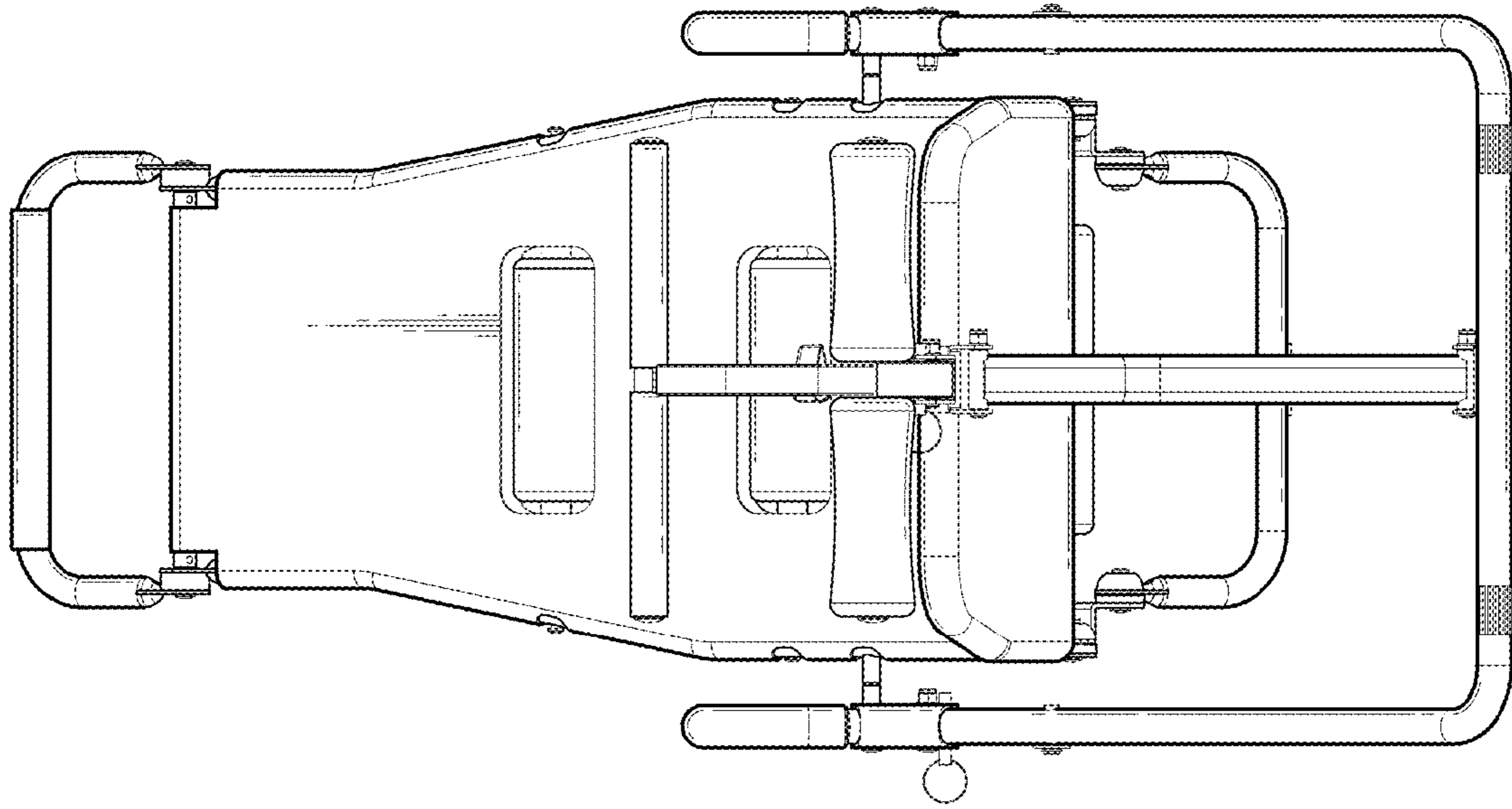


Fig. 5

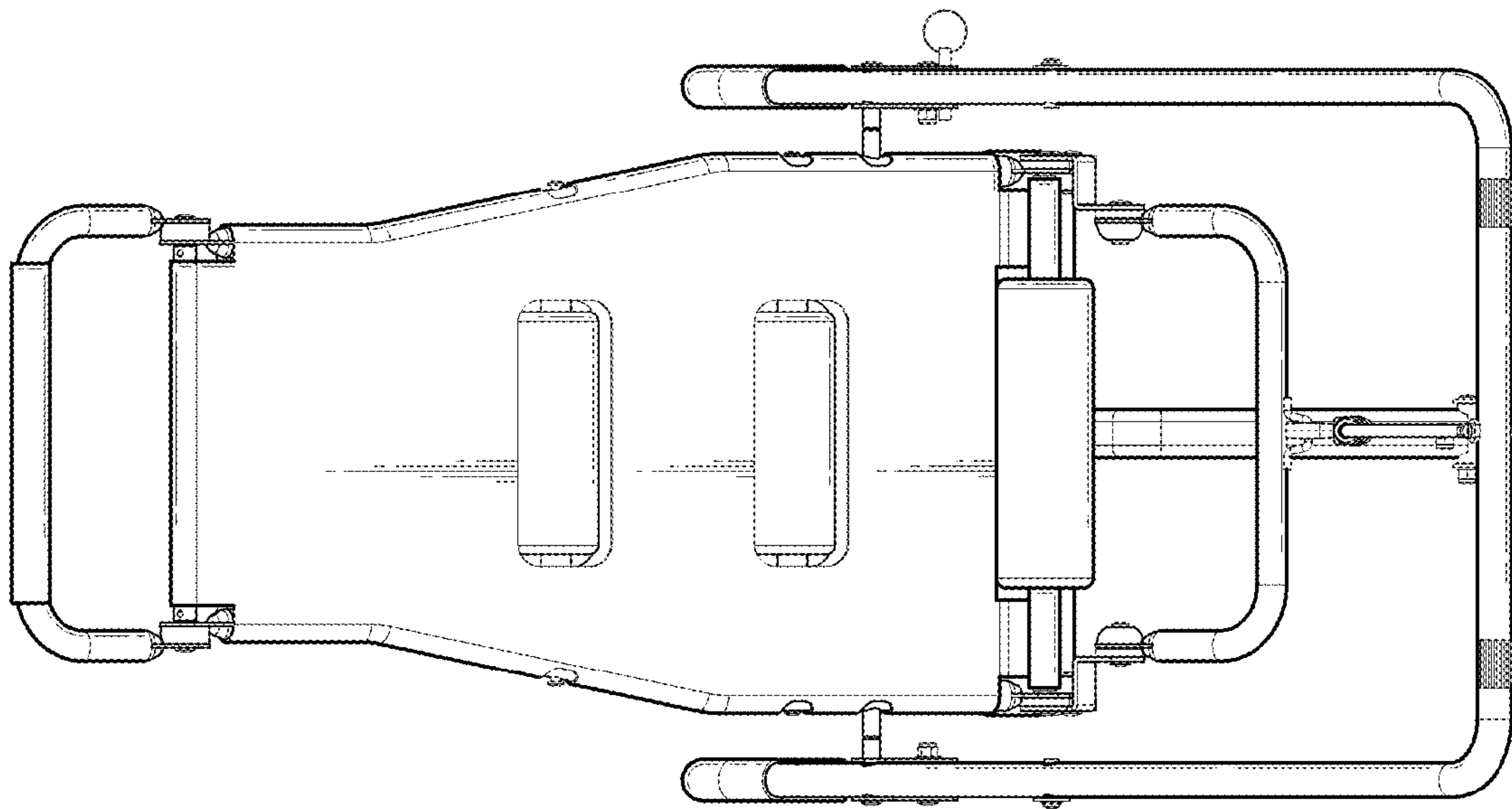


Fig. 4

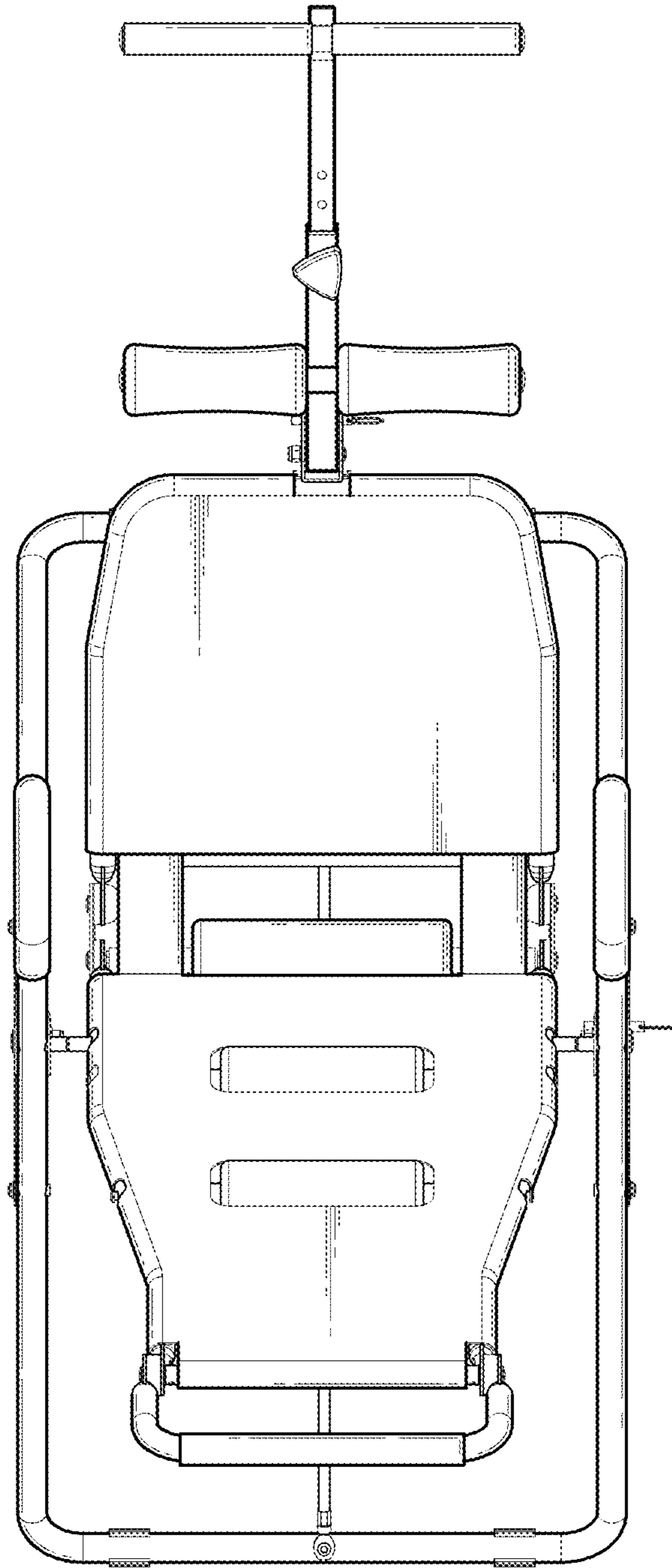


Fig. 6

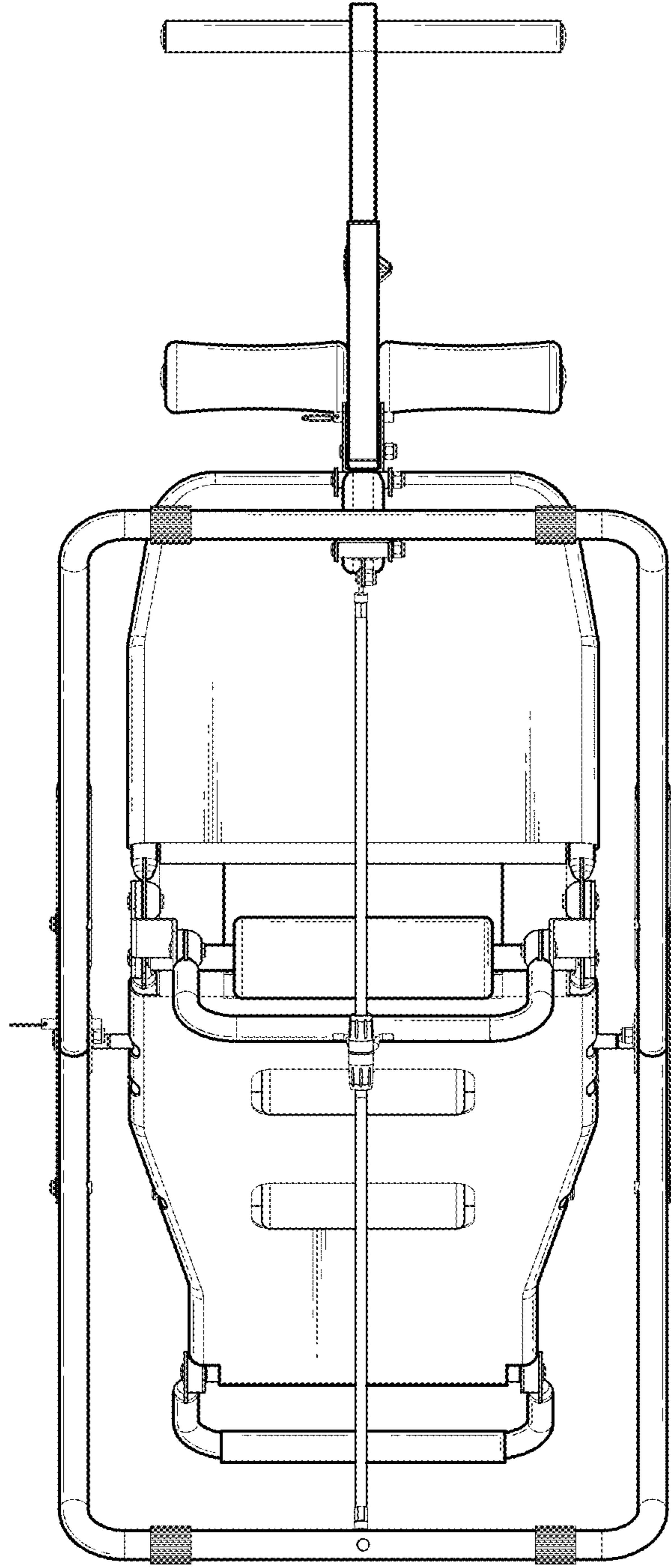


Fig. 7

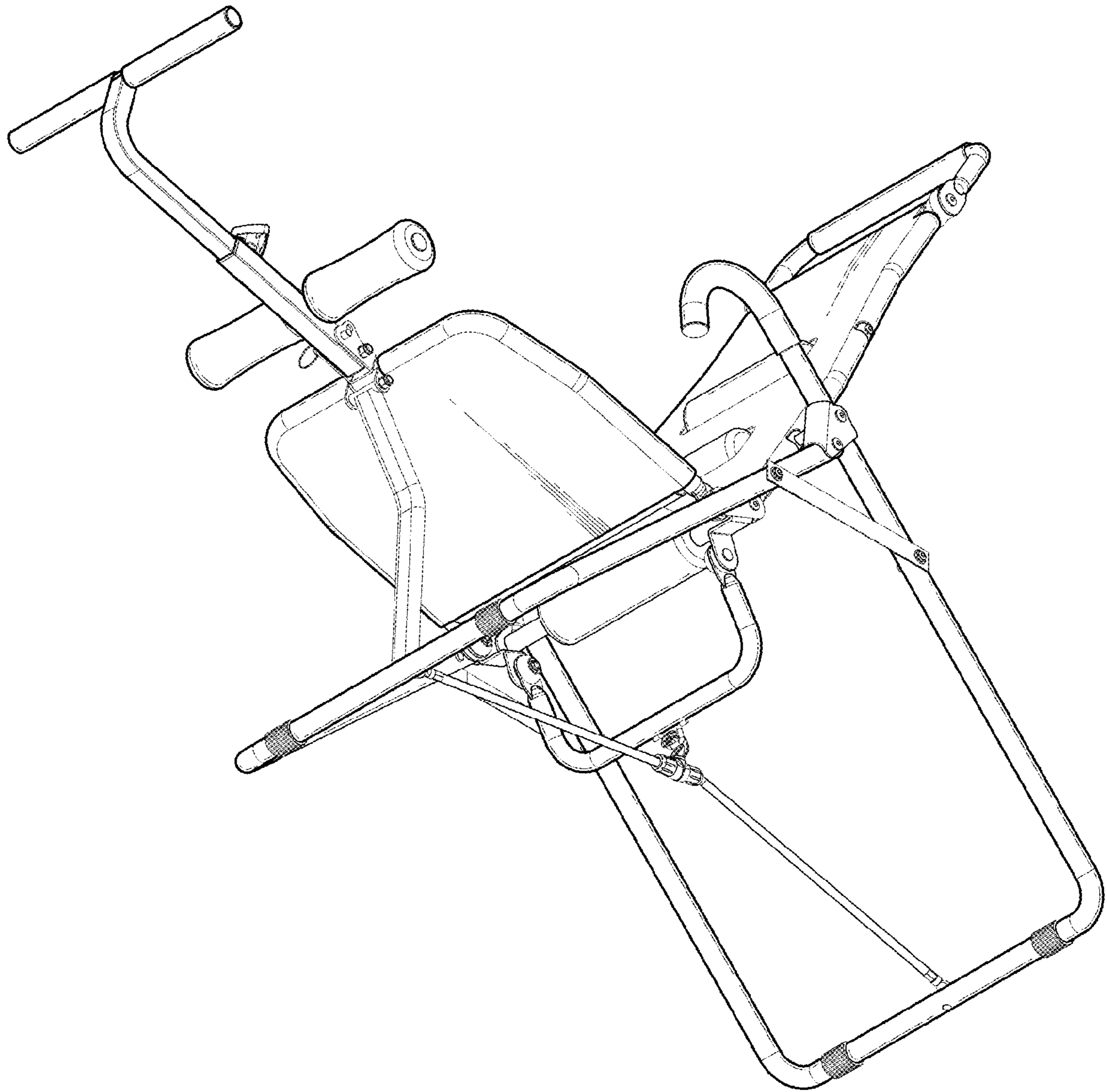


Fig. 8