



US00D907132S

(12) **United States Design Patent** (10) **Patent No.:** **US D907,132 S**  
**Lin** (45) **Date of Patent:** **\*\* Jan. 5, 2021**

(54) **ROBOT**  
(71) Applicant: **Peiyi Lin**, Shantou (CN)  
(72) Inventor: **Peiyi Lin**, Shantou (CN)  
(\*\*) Term: **15 Years**  
(21) Appl. No.: **29/704,673**  
(22) Filed: **Sep. 6, 2019**  
(51) **LOC (13) Cl.** ..... **21-01**  
(52) **U.S. Cl.**  
USPC ..... **D21/578**  
(58) **Field of Classification Search**  
USPC ..... D15/199; D21/447, 451, 533, 548-551,  
D21/567, 578-583; D32/21; D34/34  
CPC ..... A63H 17/002; A63H 17/045  
See application file for complete search history.

D555,214 S \* 11/2007 Wong ..... D21/578  
D622,786 S \* 8/2010 Lee ..... D21/578  
D647,149 S \* 10/2011 Wong ..... D21/578  
D689,566 S \* 9/2013 Wong ..... D21/578  
D822,124 S \* 7/2018 Bei ..... D21/533  
10,399,616 B2 \* 9/2019 Ellerman ..... A63H 33/26  
2014/0031977 A1 \* 1/2014 Goldenberg ..... B25J 5/005  
700/245  
2015/0224640 A1 \* 8/2015 Vu ..... B25J 5/007  
700/259

\* cited by examiner

*Primary Examiner* — Patricia A Palasik  
(74) *Attorney, Agent, or Firm* — HYIP

(57) **CLAIM**

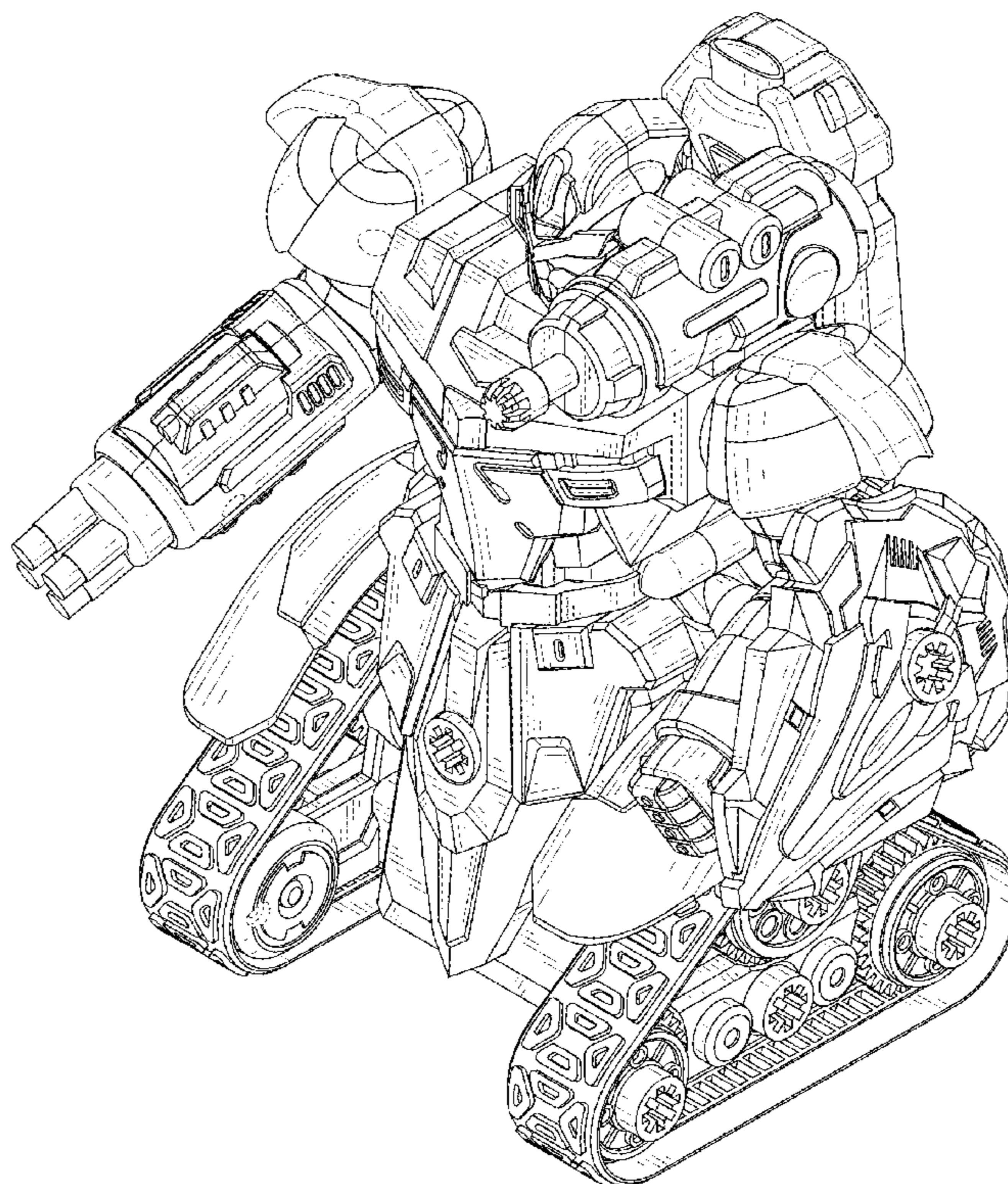
The ornamental design for a robot, as shown and described.

**DESCRIPTION**

FIG. 1 is a first perspective view of a robot showing my design;  
FIG. 2 is a second perspective view thereof;  
FIG. 3 is a front view thereof;  
FIG. 4 is a back view thereof;  
FIG. 5 is a left side view thereof;  
FIG. 6 is a right side view thereof;  
FIG. 7 is a top view thereof; and,  
FIG. 8 is a bottom view thereof.  
The broken lines shown in the drawings depict portions of the robot in which the design is embodied that form no part of the claimed design.

(56) **References Cited**  
U.S. PATENT DOCUMENTS  
D191,793 S \* 11/1961 Alvaney ..... D21/539  
D258,223 S \* 2/1981 Itakura ..... D21/539  
D271,896 S \* 12/1983 Wilkes ..... D21/451  
D278,732 S \* 5/1985 Ohkado ..... D21/533  
D287,381 S \* 12/1986 Ohno ..... D21/578  
D294,157 S \* 2/1988 Matsumoto ..... D21/578  
D306,047 S \* 2/1990 Shinohara ..... D21/578  
D332,122 S \* 12/1992 Hetman ..... D21/539  
5,281,182 A \* 1/1994 Yoneda ..... A63H 30/04  
124/78  
D421,777 S \* 3/2000 Wei ..... D21/451  
D422,650 S \* 4/2000 Wei ..... D21/451  
D510,963 S \* 10/2005 Nakase ..... D21/578

**1 Claim, 8 Drawing Sheets**



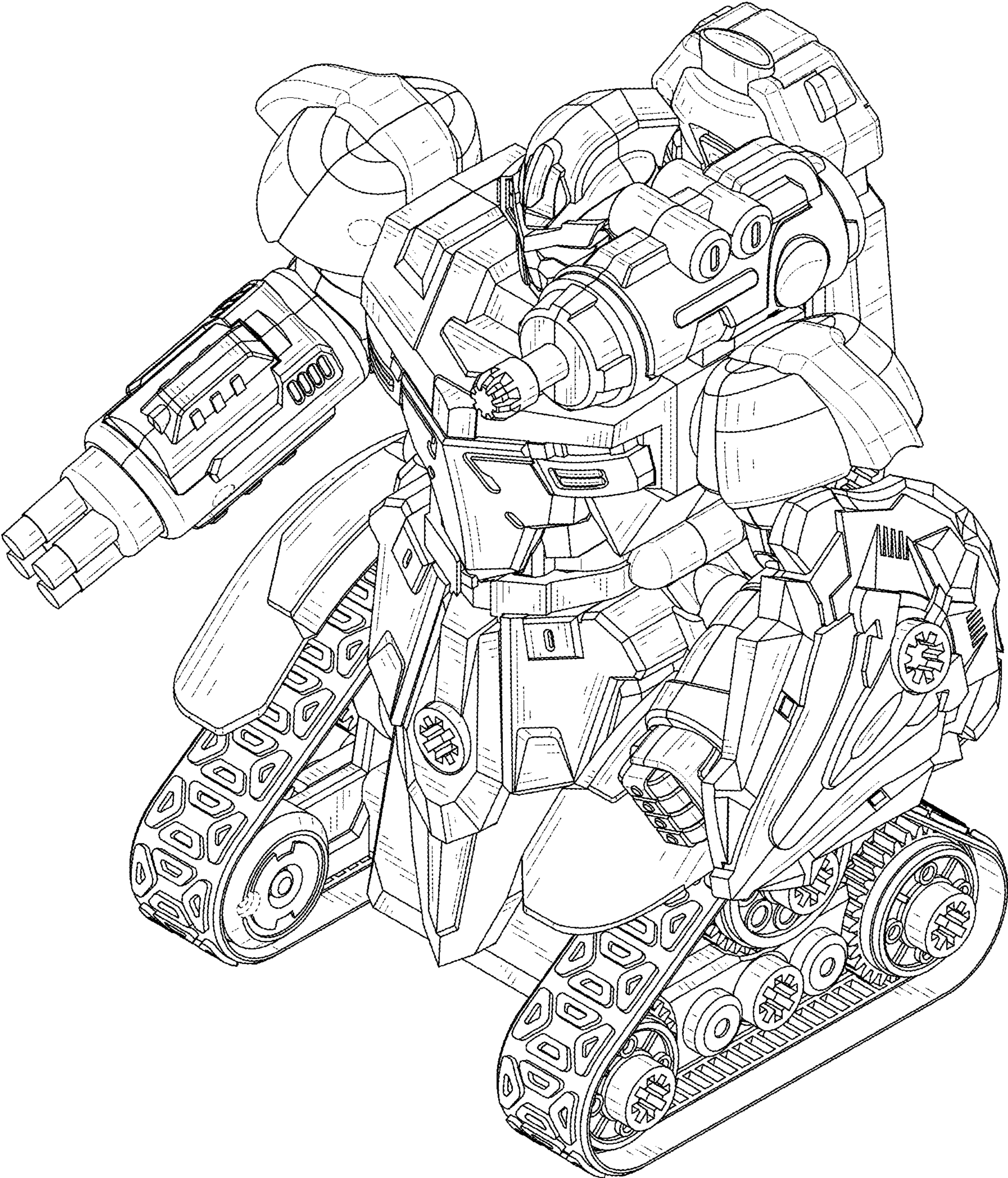


FIG. 1

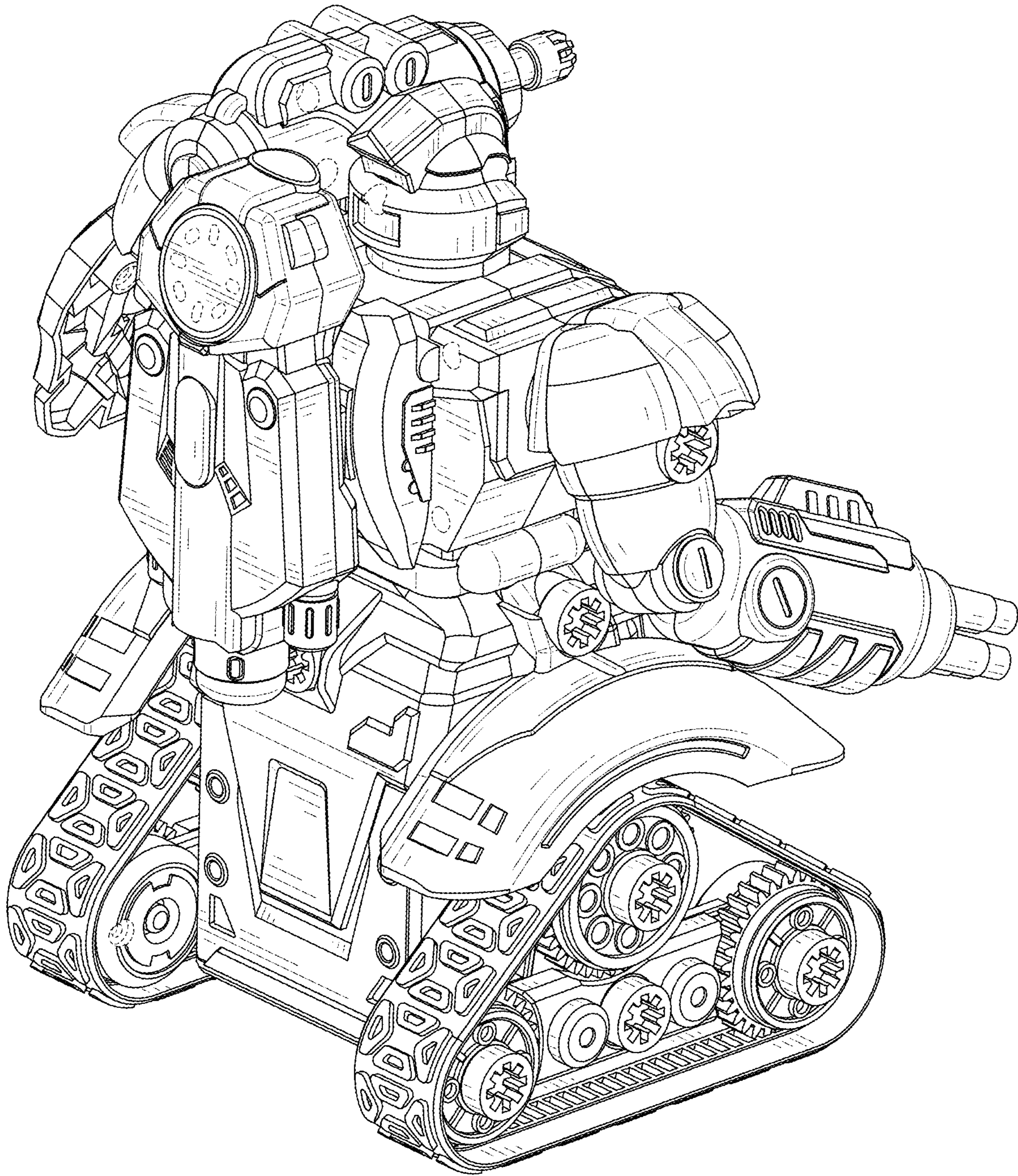


FIG. 2

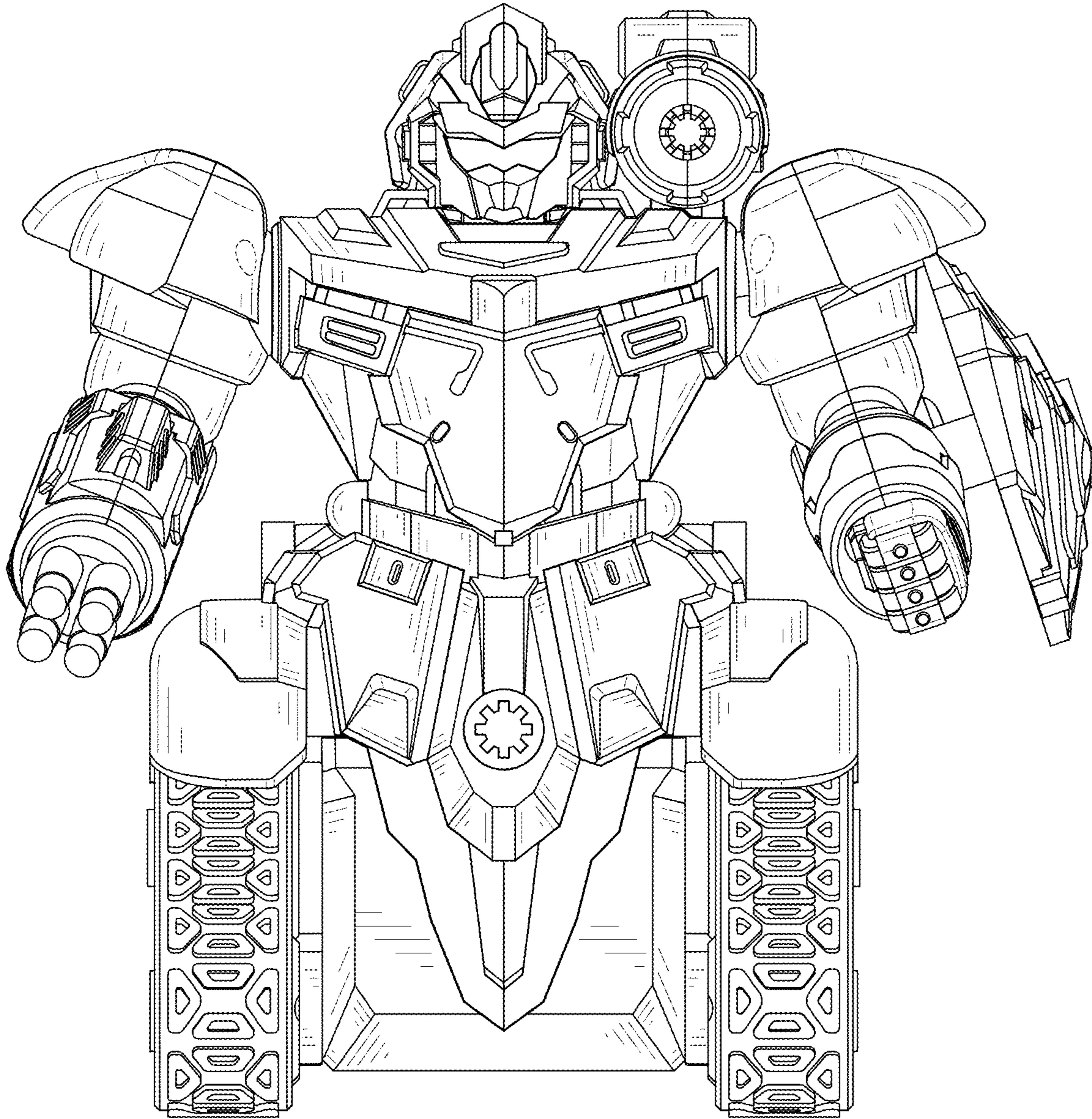


FIG. 3

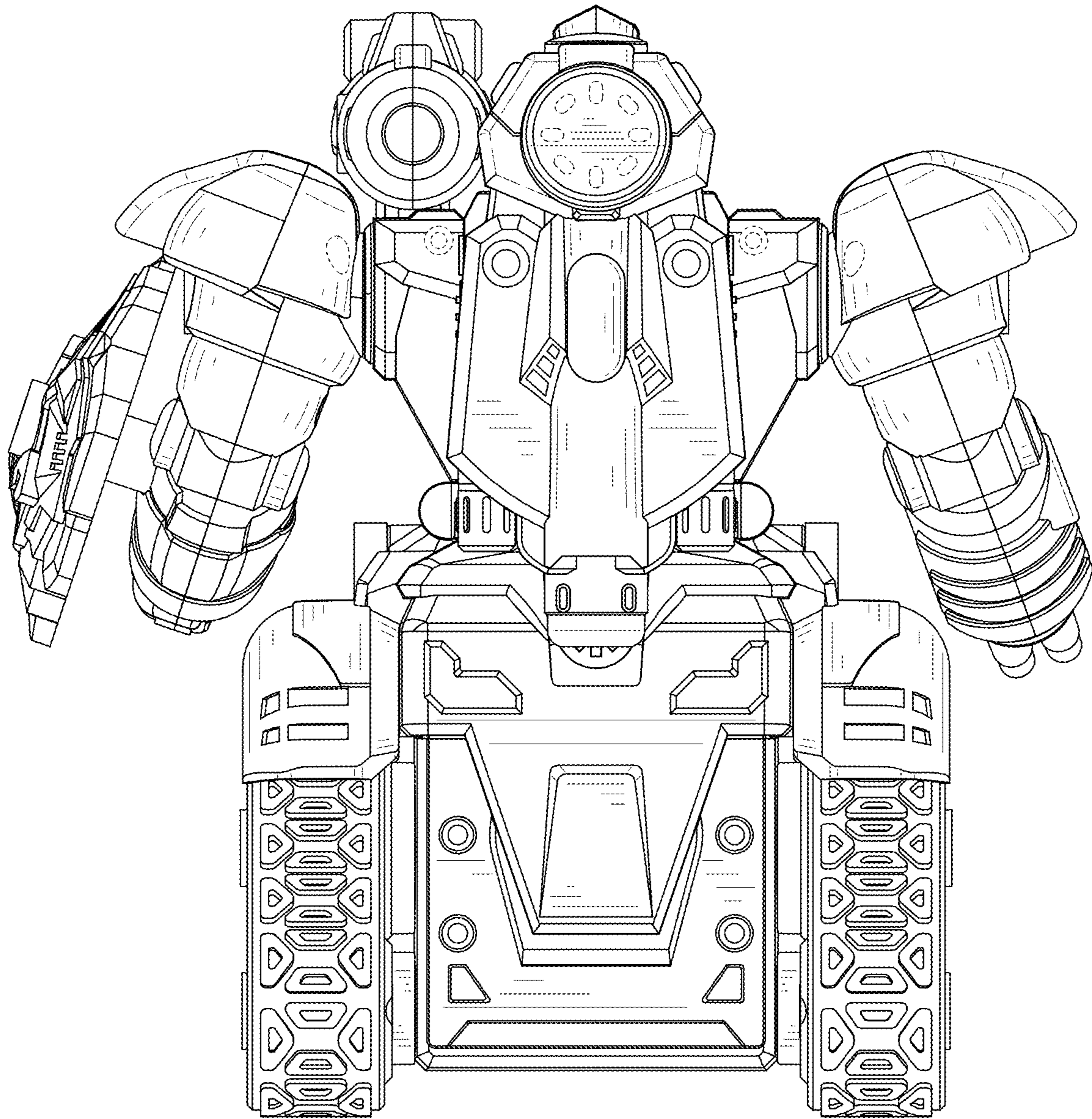


FIG. 4

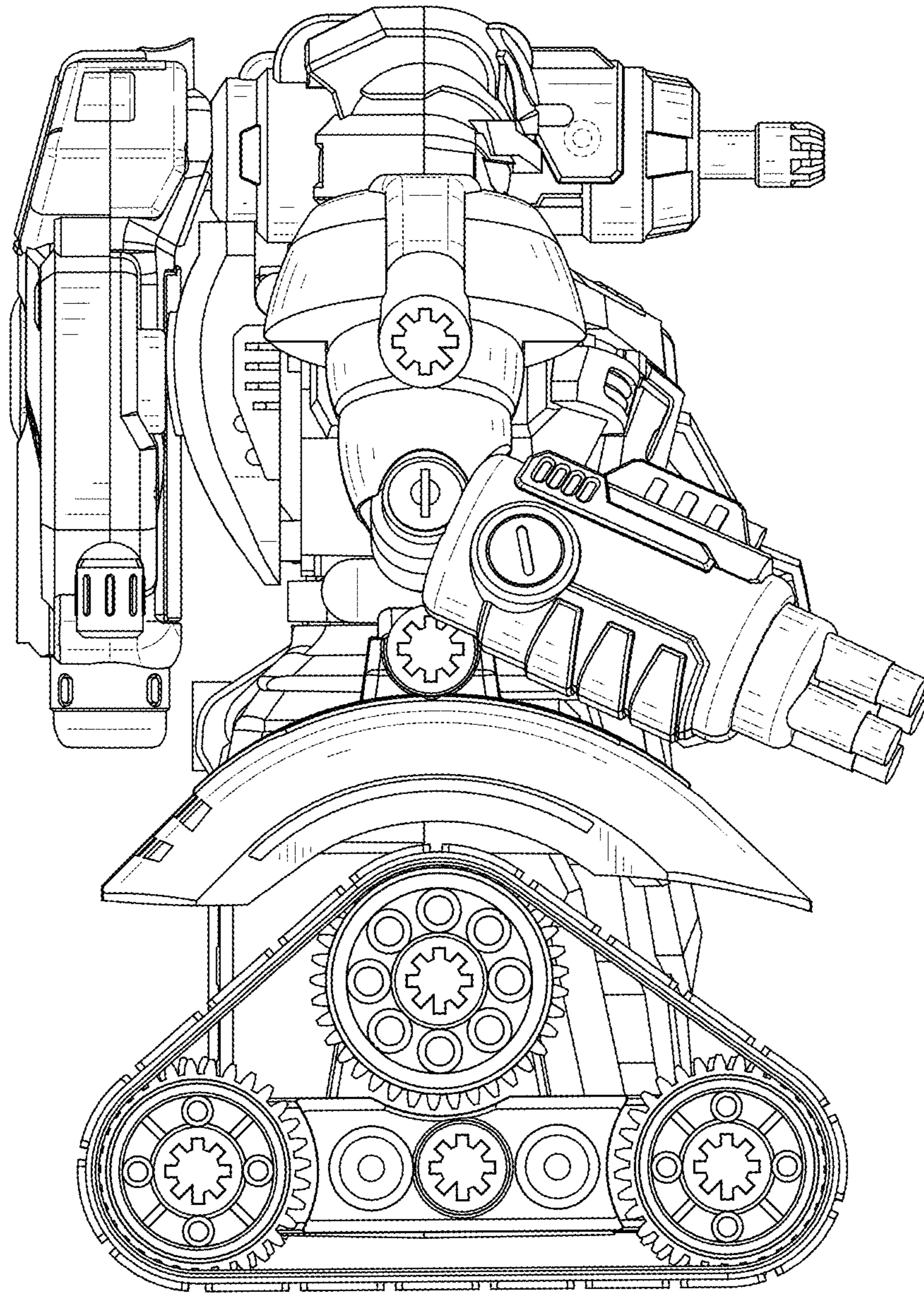


FIG. 5

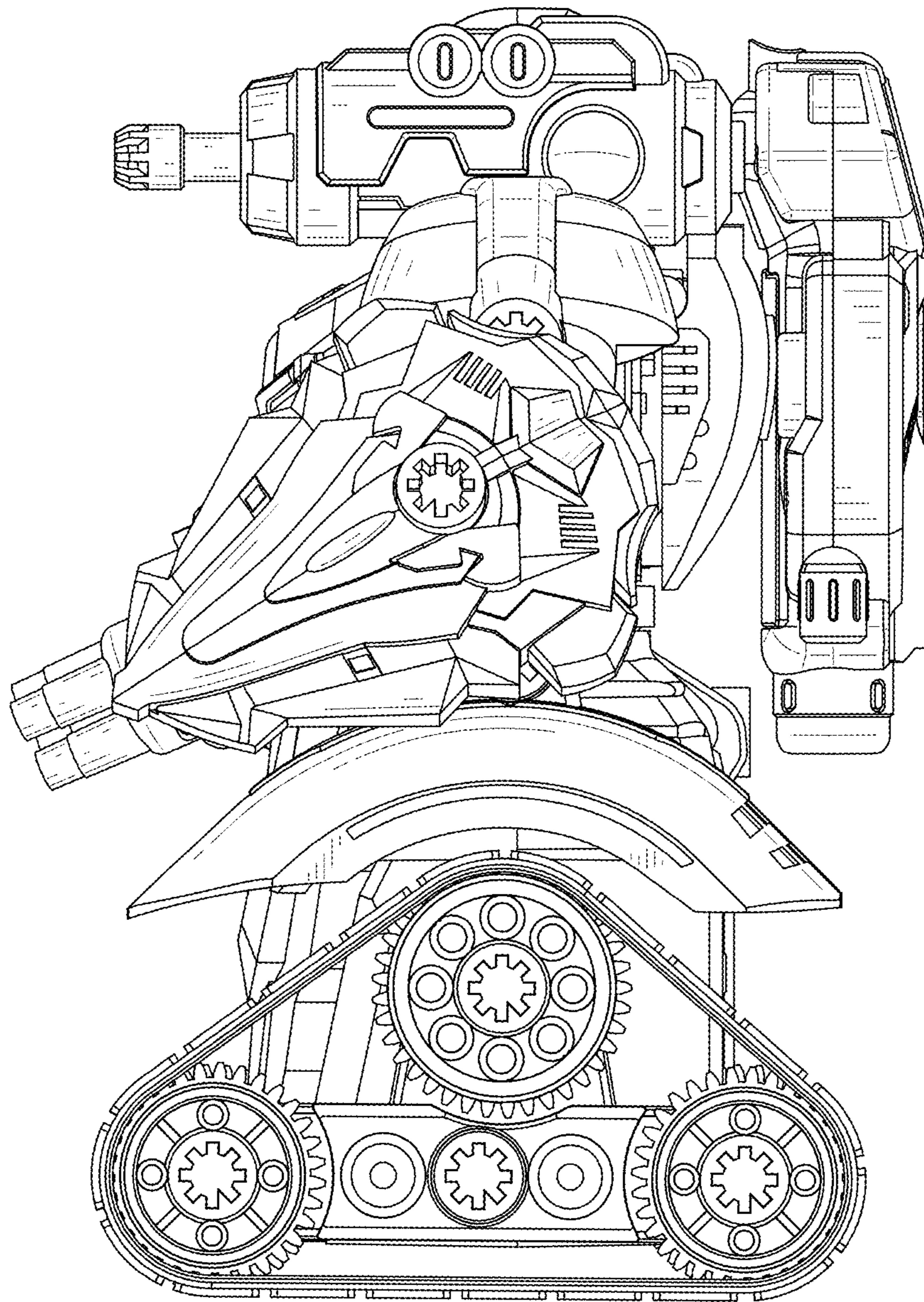


FIG. 6

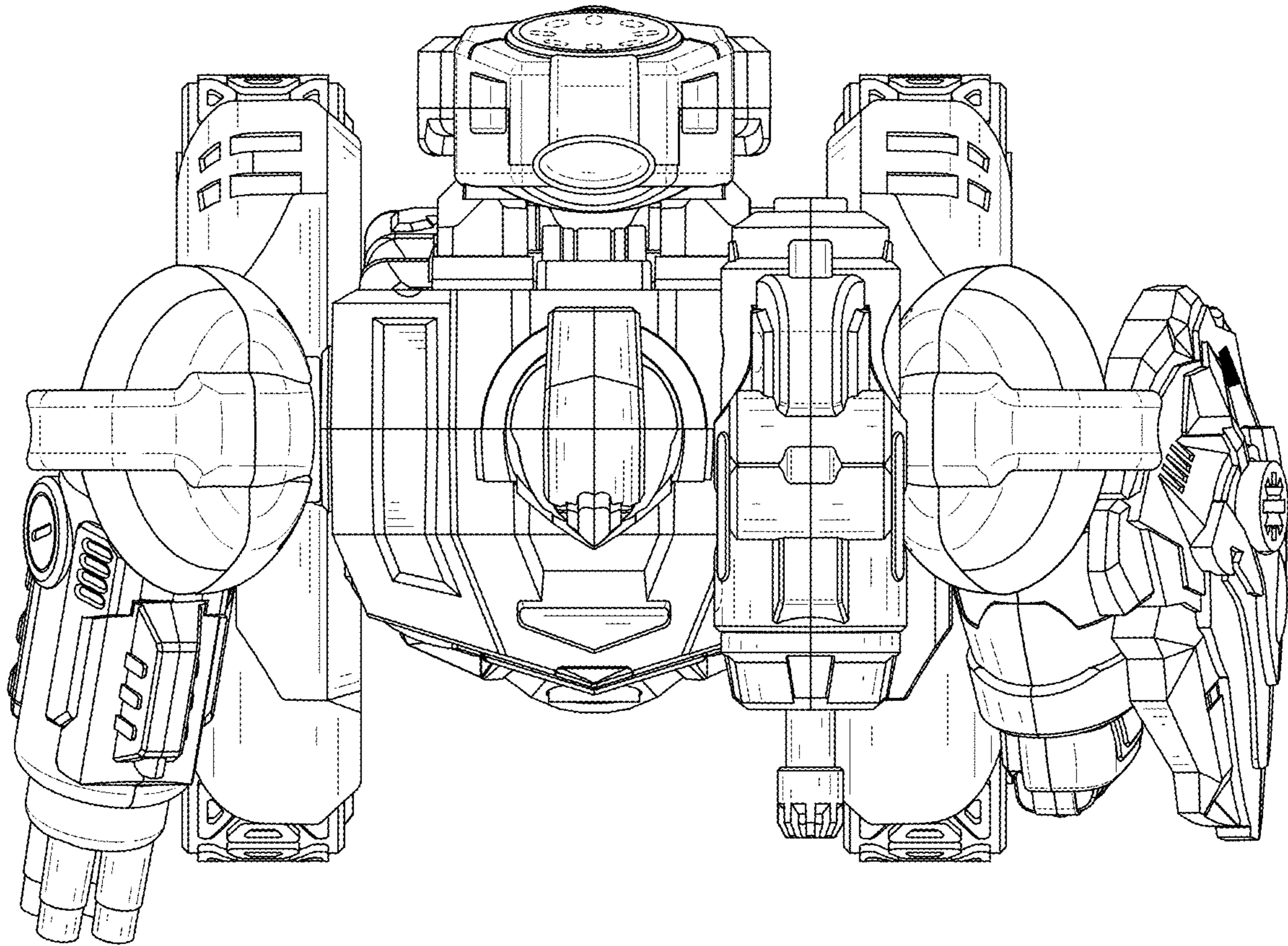


FIG. 7



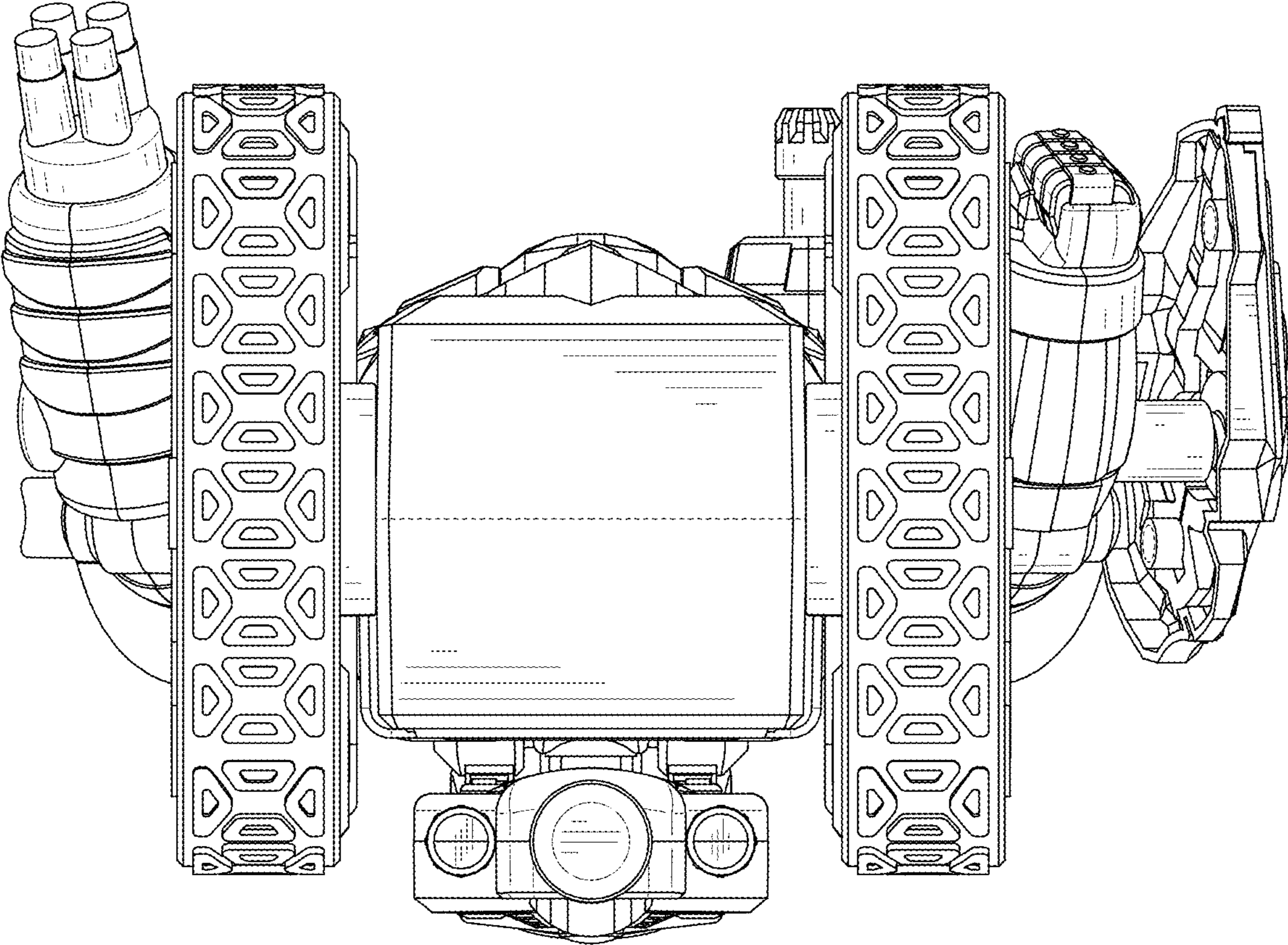


FIG. 8