



US00D907130S

(12) **United States Design Patent**  
**Kistemaker et al.**

(10) **Patent No.:** **US D907,130 S**  
(45) **Date of Patent:** **\*\* Jan. 5, 2021**

(54) **THREE-WHEEL CARRYING VEHICLE**

(71) Applicant: **Coolryde B.V.**, Eindhoven (NL)

(72) Inventors: **Frank Kistemaker**, Eindhoven (NL);  
**Guido Peters**, Helmond (NL)

(73) Assignee: **COOLRYDE B.V.**, Eindhoven (NL)

(\*\*) Term: **15 Years**

(21) Appl. No.: **29/698,826**

(22) Filed: **Jul. 19, 2019**

**Related U.S. Application Data**

(63) Continuation-in-part of application No. 15/655,880,  
filed on Jul. 20, 2017, now Pat. No. 10,450,027.

(51) **LOC (13) Cl.** ..... **21-01**

(52) **U.S. Cl.**  
USPC ..... **D21/423**; D34/15

(58) **Field of Classification Search**  
USPC ..... D21/419, 421, 423, 432, 435, 760, 763,  
D21/765, 771; D12/1, 110; D34/14, 15,  
D34/18

CPC ..... B62K 3/002; B62K 9/00; B62K 2202/00;  
B62K 15/00; B62K 2015/001; B62K  
2015/003; B62K 5/00; B62K 5/027;  
B60Y 2200/126; B62B 5/00

See application file for complete search history.

(56) **References Cited**

**U.S. PATENT DOCUMENTS**

- 2,855,208 A \* 10/1958 Abgarian ..... B62B 1/042  
280/646
- 3,131,842 A \* 5/1964 Dingle, Jr. .... A63B 55/60  
224/274
- D265,263 S \* 6/1982 Fox ..... D34/15
- D425,447 S \* 5/2000 Hsieh ..... D12/16
- D448,428 S \* 9/2001 Humphrey ..... D21/421
- D452,054 S \* 12/2001 Chan ..... D34/15

- D556,415 S \* 11/2007 Gong ..... D34/15
- 7,322,434 B1 \* 1/2008 Hussain ..... B62H 1/12  
180/180
- D566,787 S \* 4/2008 Lo ..... D21/423
- D656,560 S \* 3/2012 Patterson ..... D21/423

(Continued)

*Primary Examiner* — Cynthia M. Chin

(57) **CLAIM**

The ornamental design for a three-wheel carrying vehicle, as shown and described.

**DESCRIPTION**

FIG. 1 is a top-front-right perspective view of a three-wheel carrying vehicle showing my new design;

FIG. 2 is a bottom-front-left perspective view thereof;

FIG. 3 is a top-rear-right perspective view thereof;

FIG. 4 is a bottom-rear-left perspective view thereof;

FIG. 5 is a front elevated view thereof;

FIG. 6 is a rear elevated view thereof;

FIG. 7 is a top plan view thereof;

FIG. 8 is a bottom plan view thereof;

FIG. 9 is a right elevated view thereof;

FIG. 10 is a left elevated view thereof;

FIG. 11 is a top-front-right perspective view thereof, showing the three-wheel carrying vehicle in an alternate, tilted configuration;

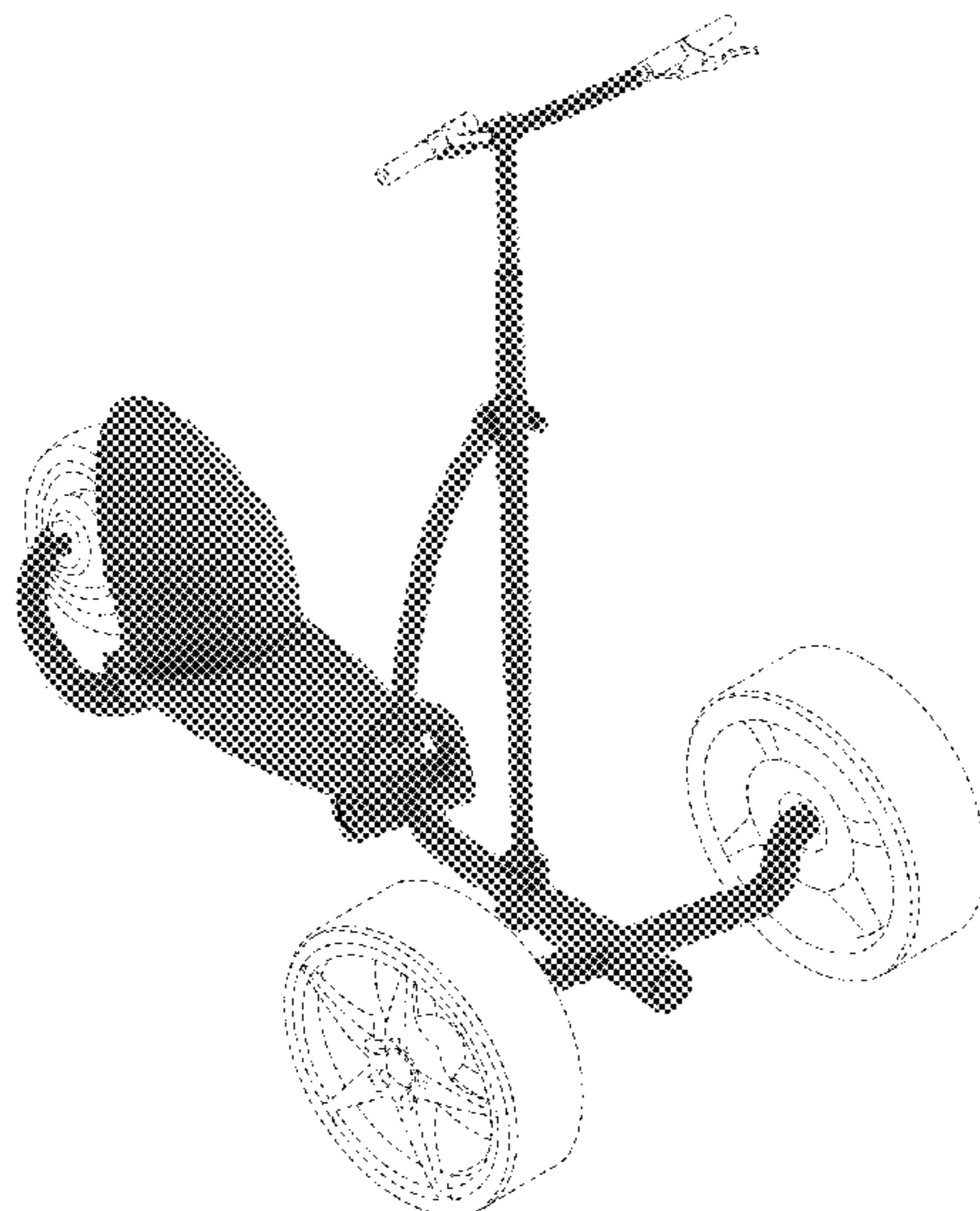
FIG. 12 is a bottom-front-left perspective view thereof, showing the three-wheel carrying vehicle in an alternate, tilted configuration;

FIG. 13 is a top-rear-left perspective view thereof, showing the three-wheel carrying vehicle in an alternate, tilted configuration; and,

FIG. 14 is a bottom-rear-right perspective view thereof, showing the three-wheel carrying vehicle in an alternate, tilted configuration.

The broken lines showing of the brake assembly and wheels are for the purpose of illustrating portions of the vehicle that form no part of the claim.

**1 Claim, 14 Drawing Sheets**



(56)

**References Cited**

U.S. PATENT DOCUMENTS

D714,511 S \* 9/2014 Kuklik ..... D34/15  
D854,773 S \* 7/2019 Hillesheim ..... D34/15  
D865,312 S \* 10/2019 Beaulieu ..... D34/15  
10,450,027 B2 \* 10/2019 Kistemaker ..... B62K 5/027  
2003/0071428 A1 \* 4/2003 Kang ..... B62B 1/002  
280/62  
2010/0176574 A1 \* 7/2010 Pollice ..... B62D 51/04  
280/401  
2016/0297459 A1 \* 10/2016 Opsvik ..... B62B 1/002  
2018/0022411 A1 \* 1/2018 Kistemaker ..... B62K 21/00  
180/208  
2018/0056152 A1 \* 3/2018 Reimers ..... B62B 3/106

\* cited by examiner

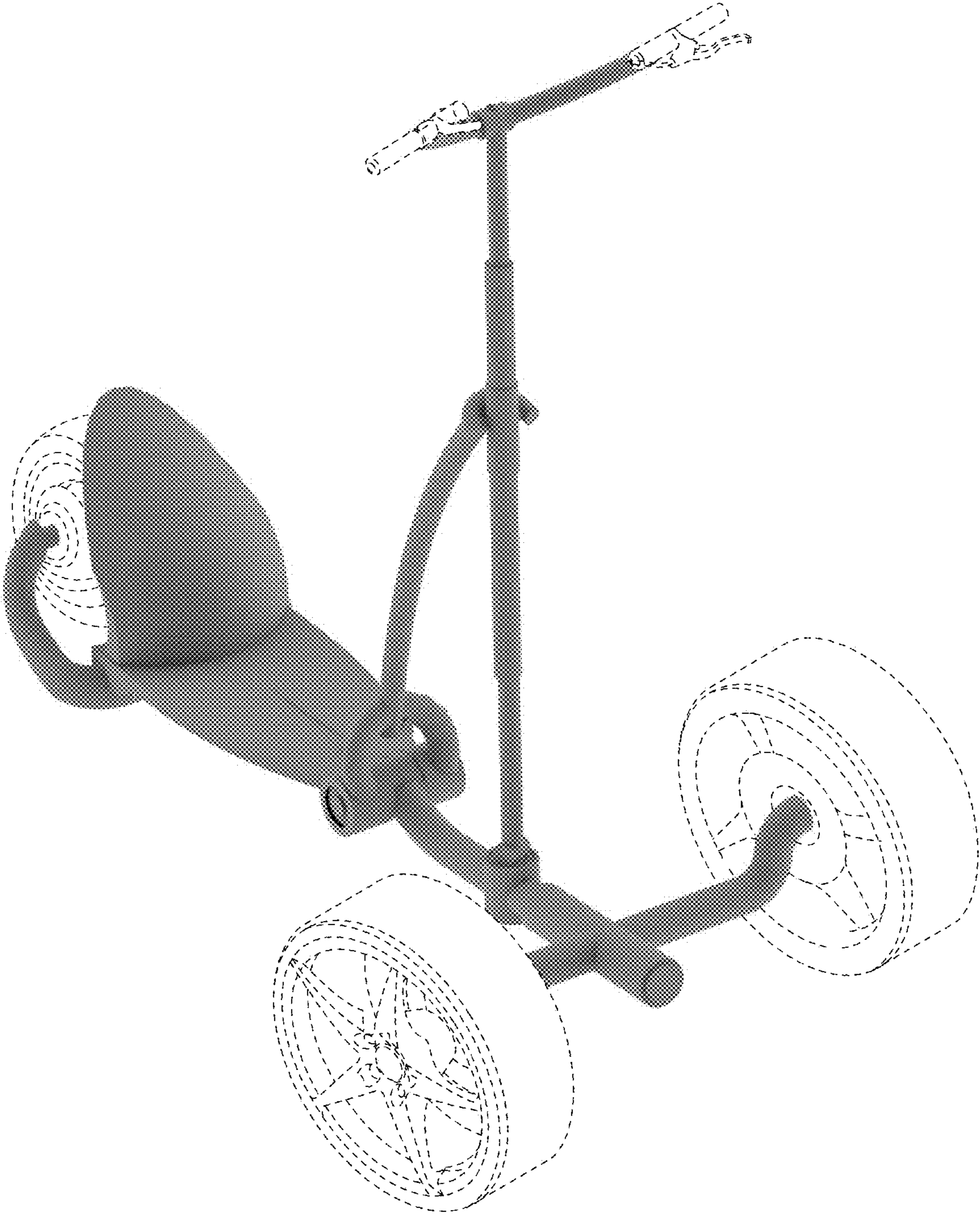


FIG. 1

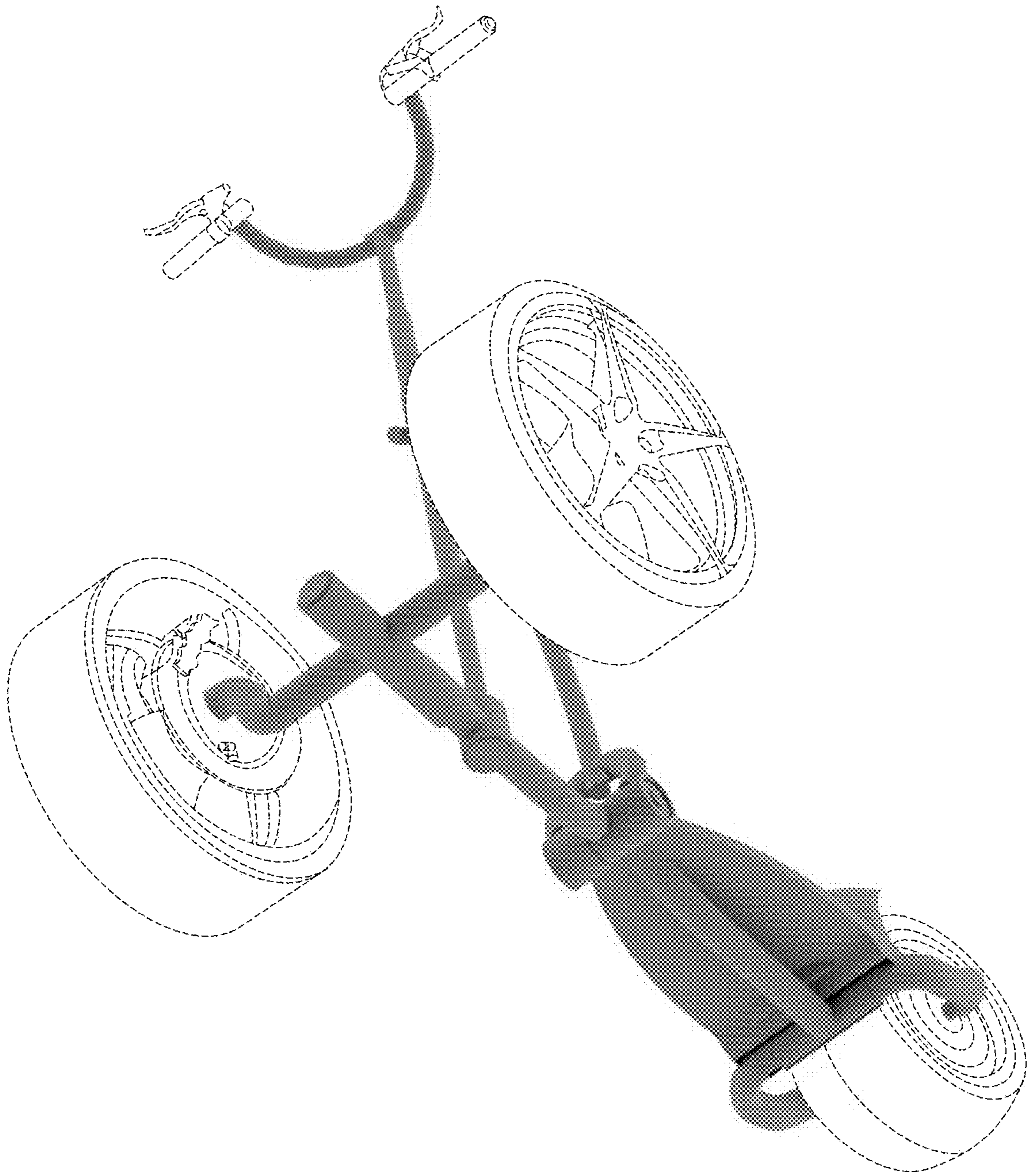


FIG. 2

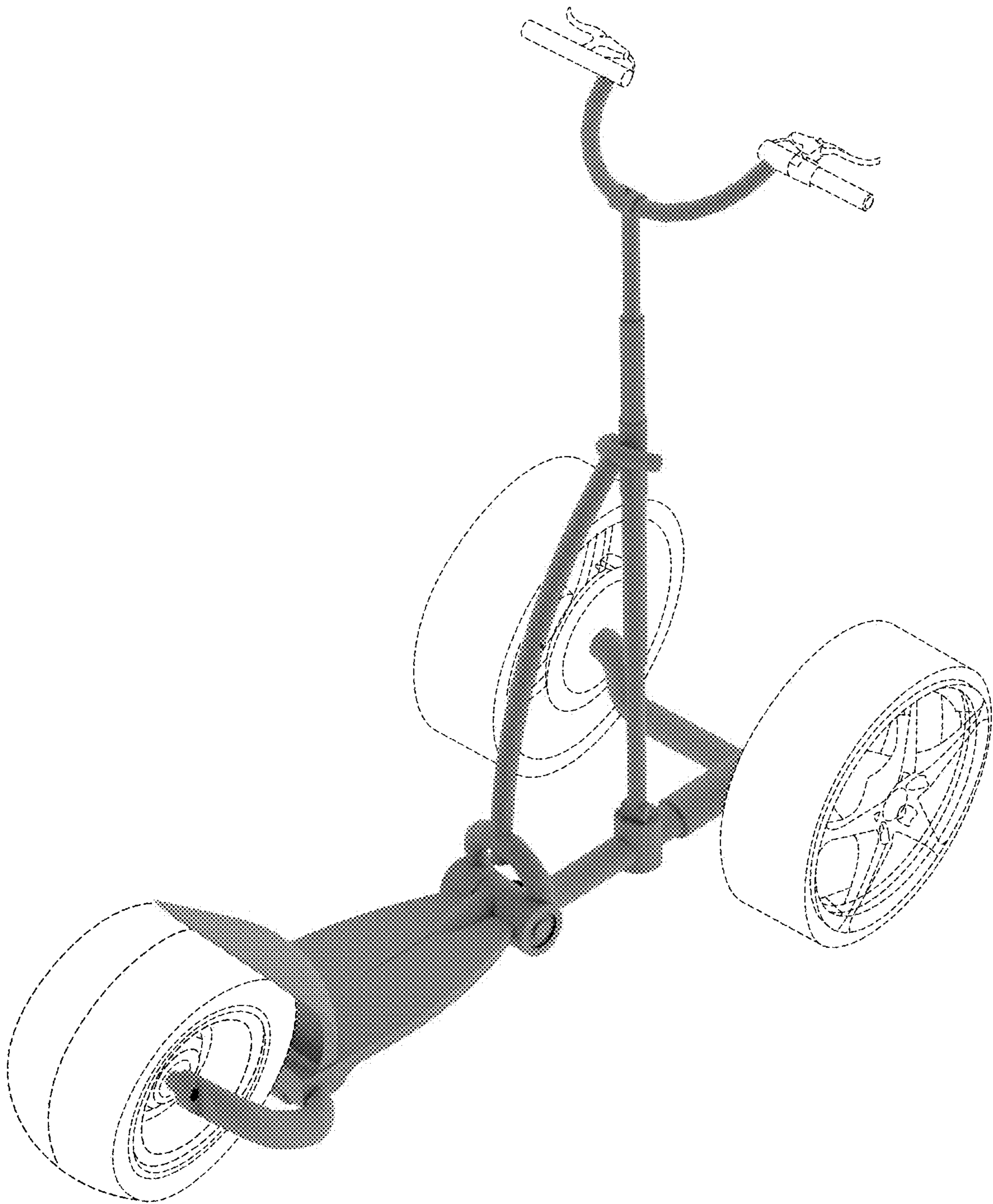


FIG. 3

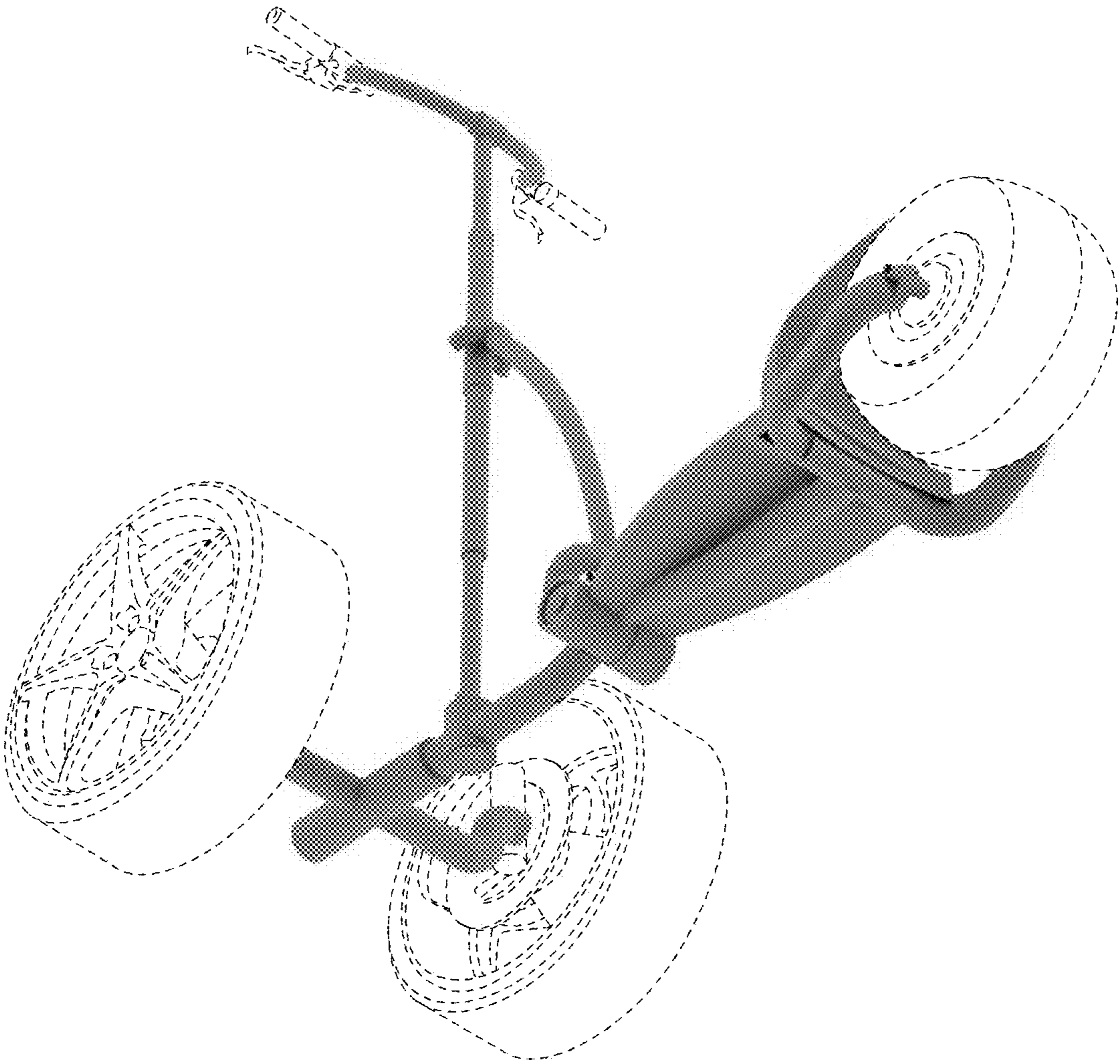


FIG. 4

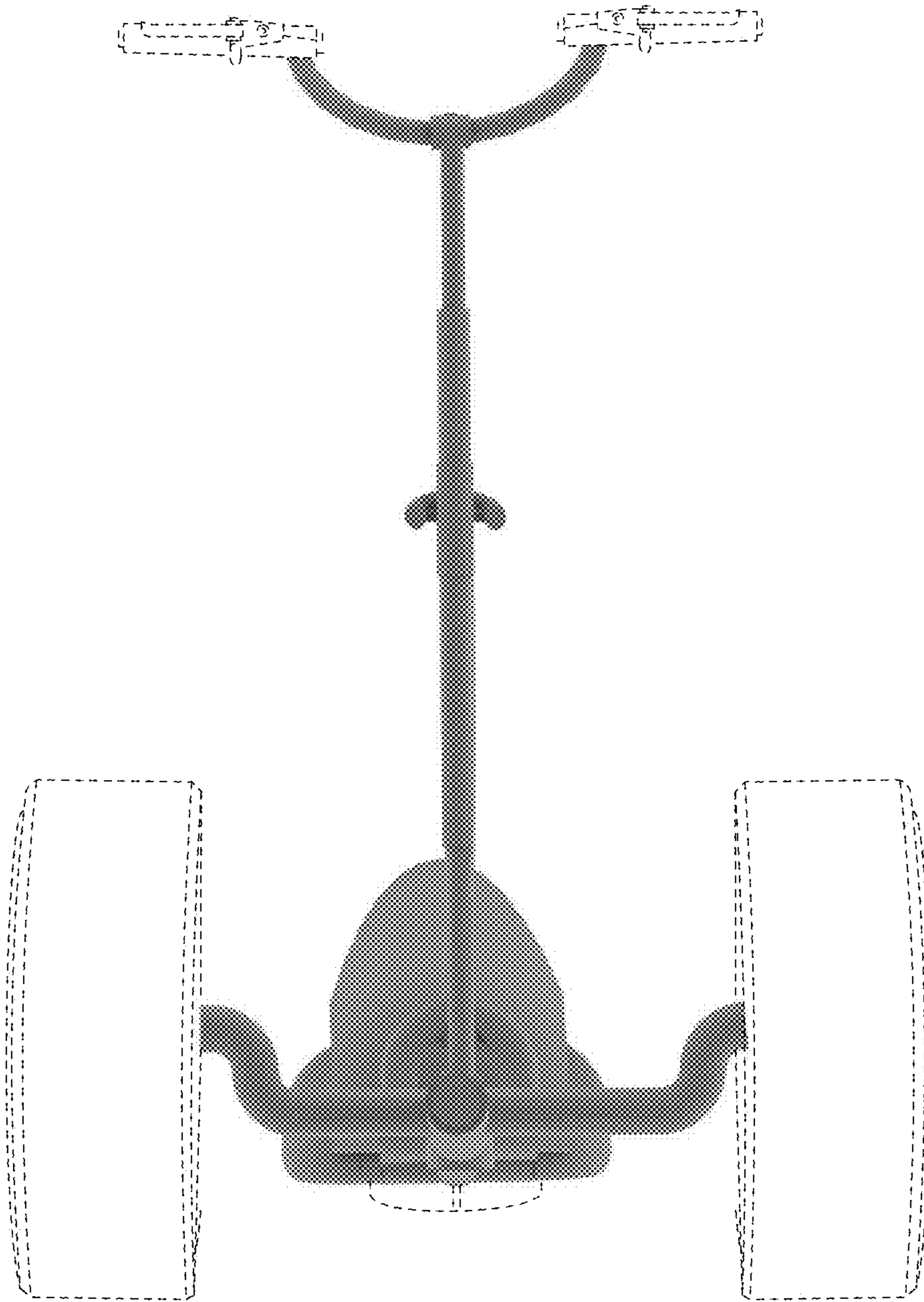


FIG. 5

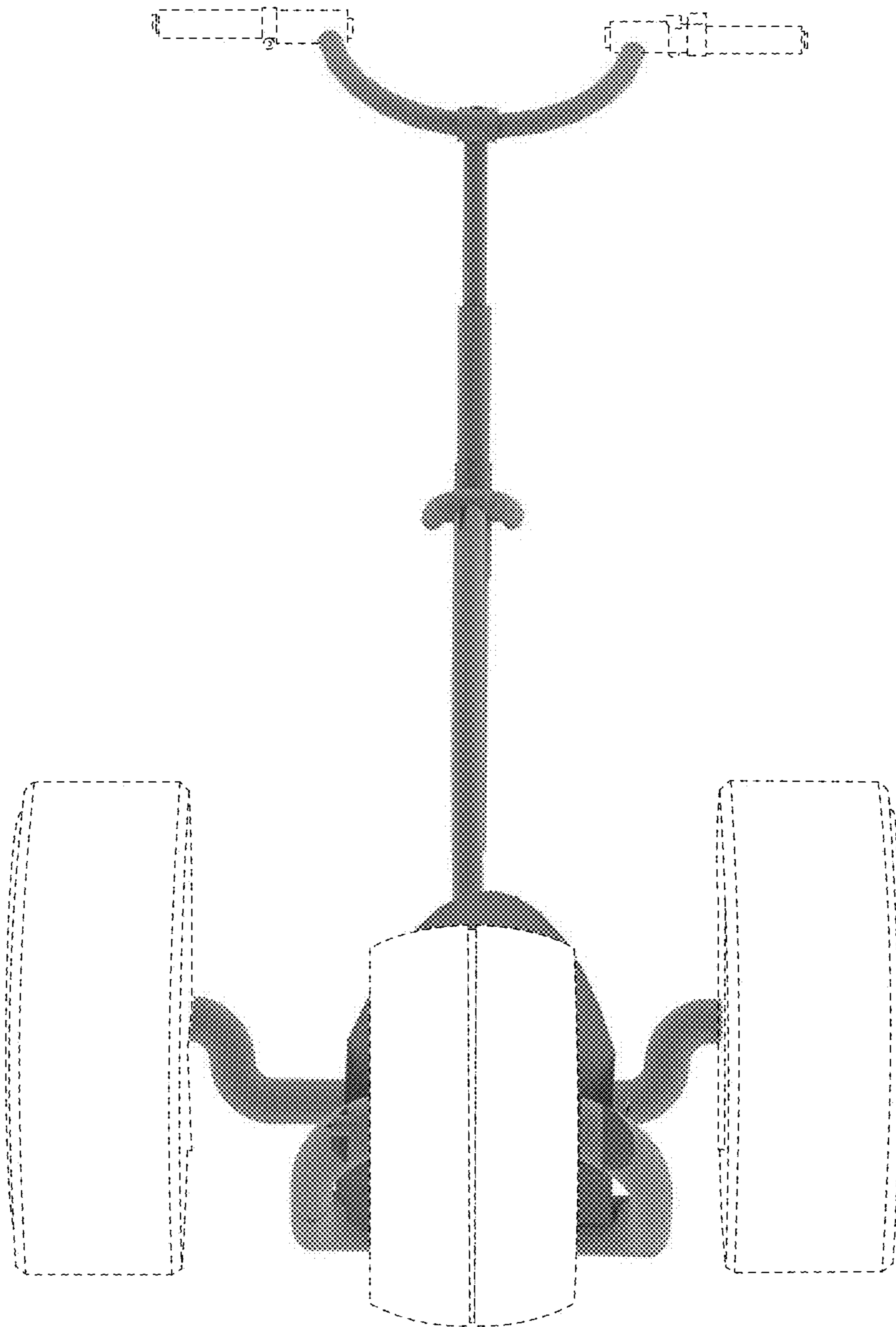


FIG. 6



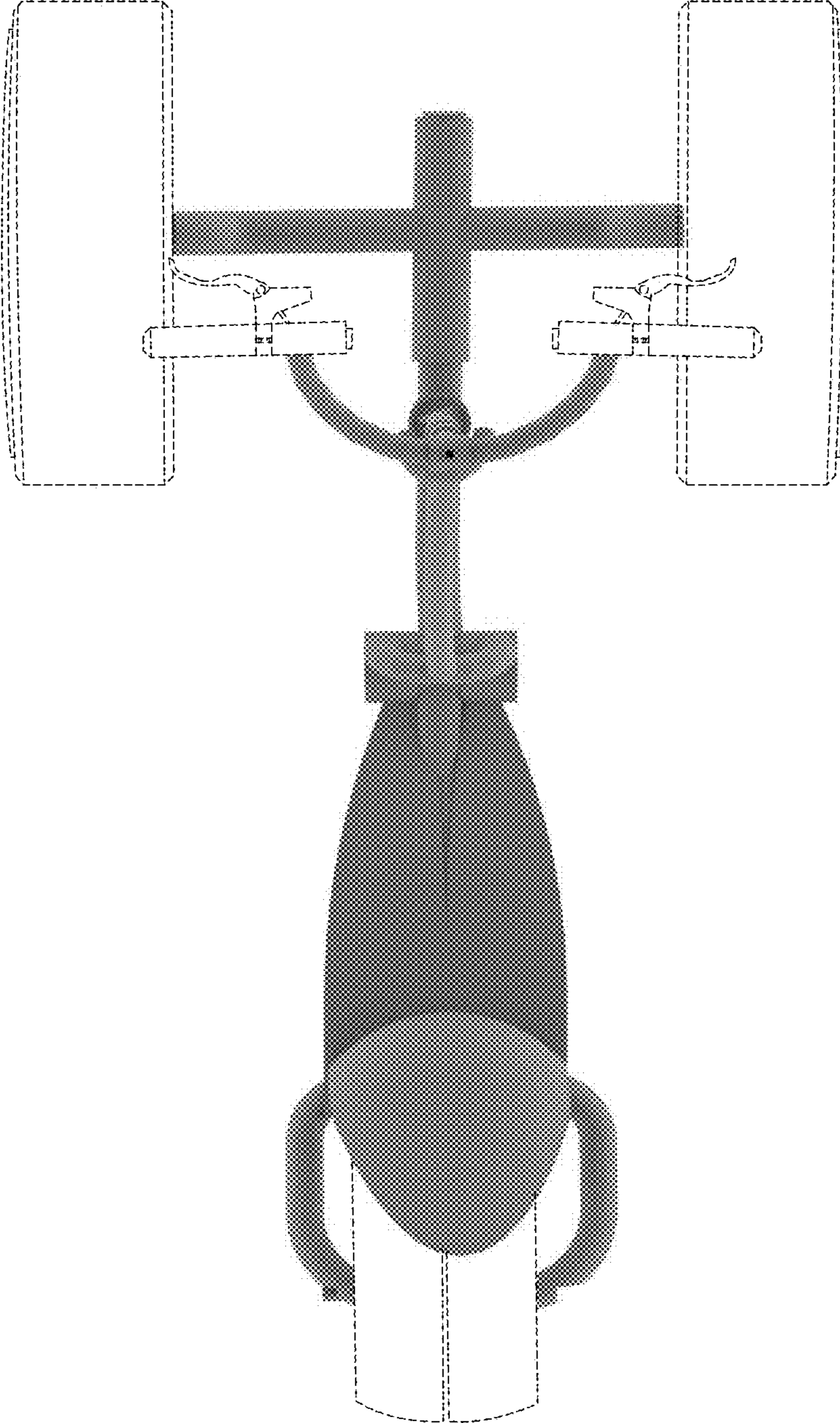


FIG. 7

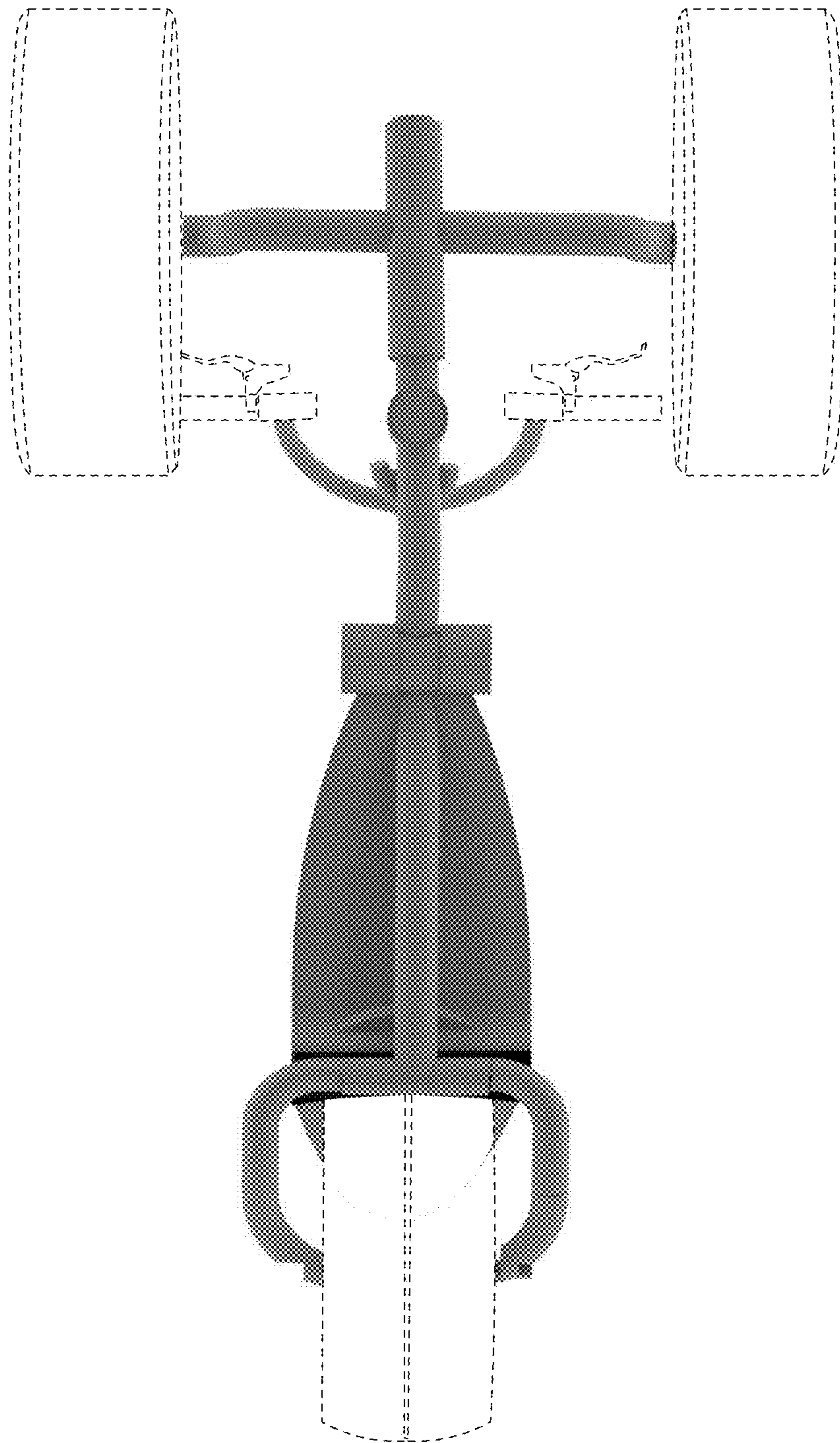


FIG. 8

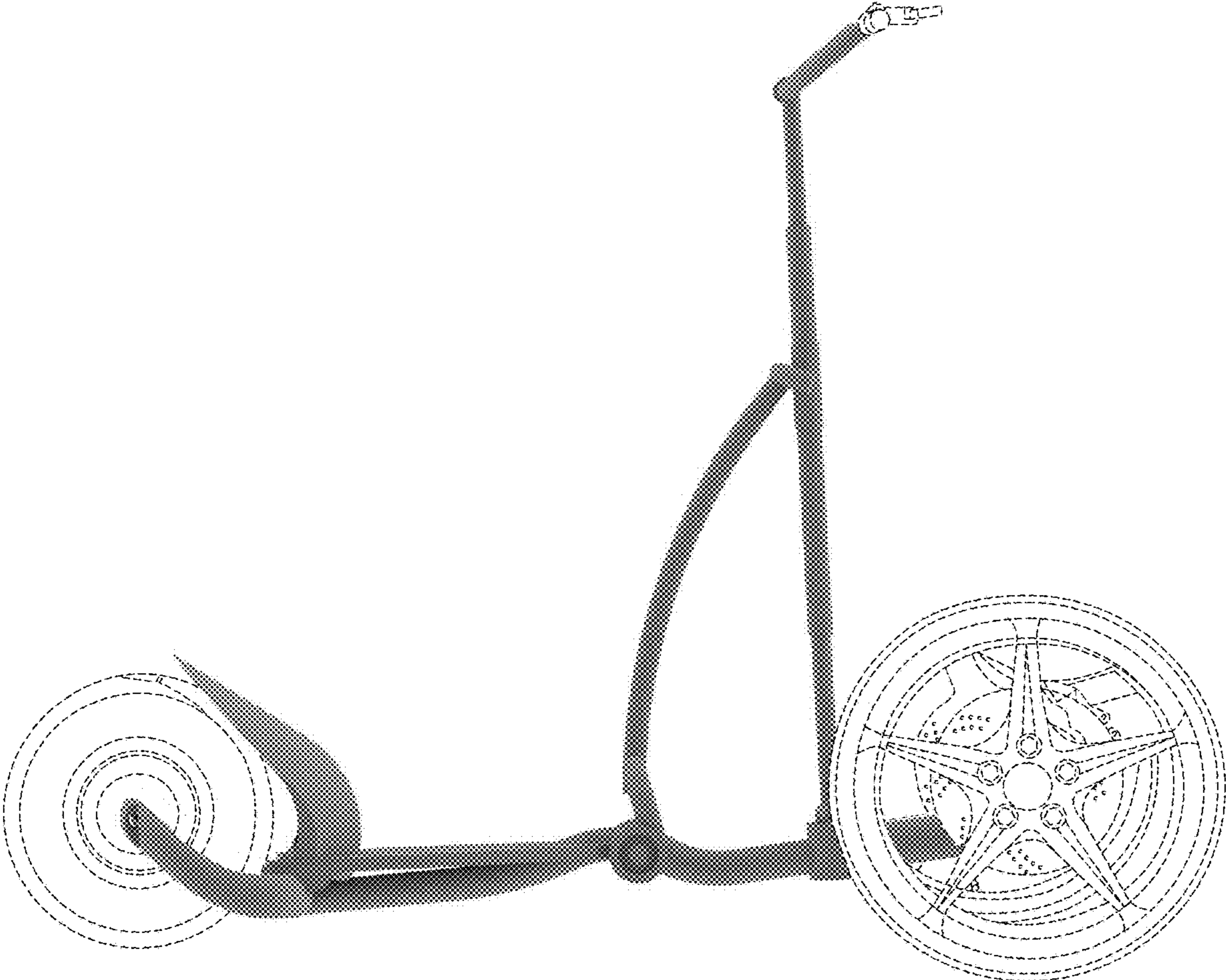


FIG. 9

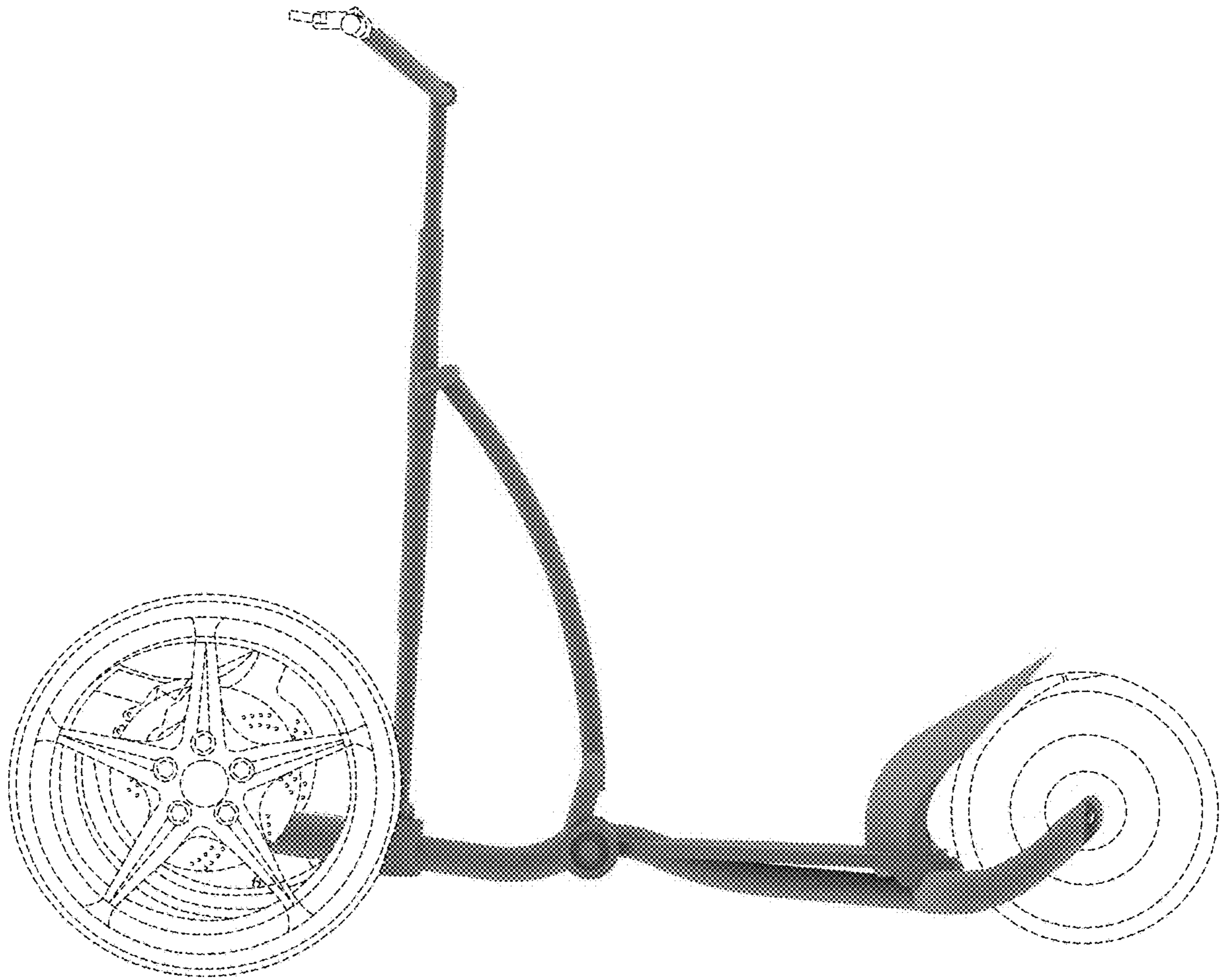


FIG. 10

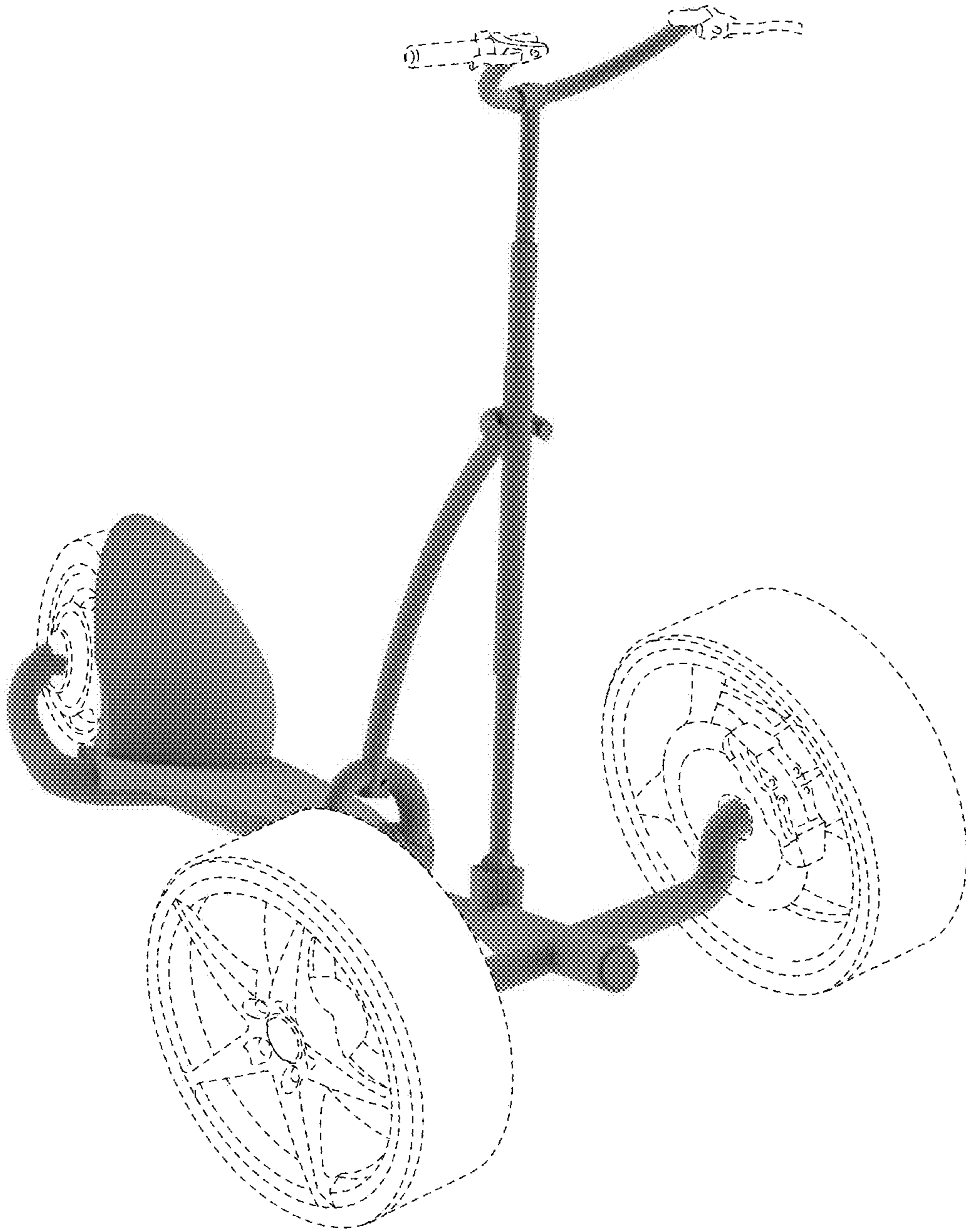


FIG. 11

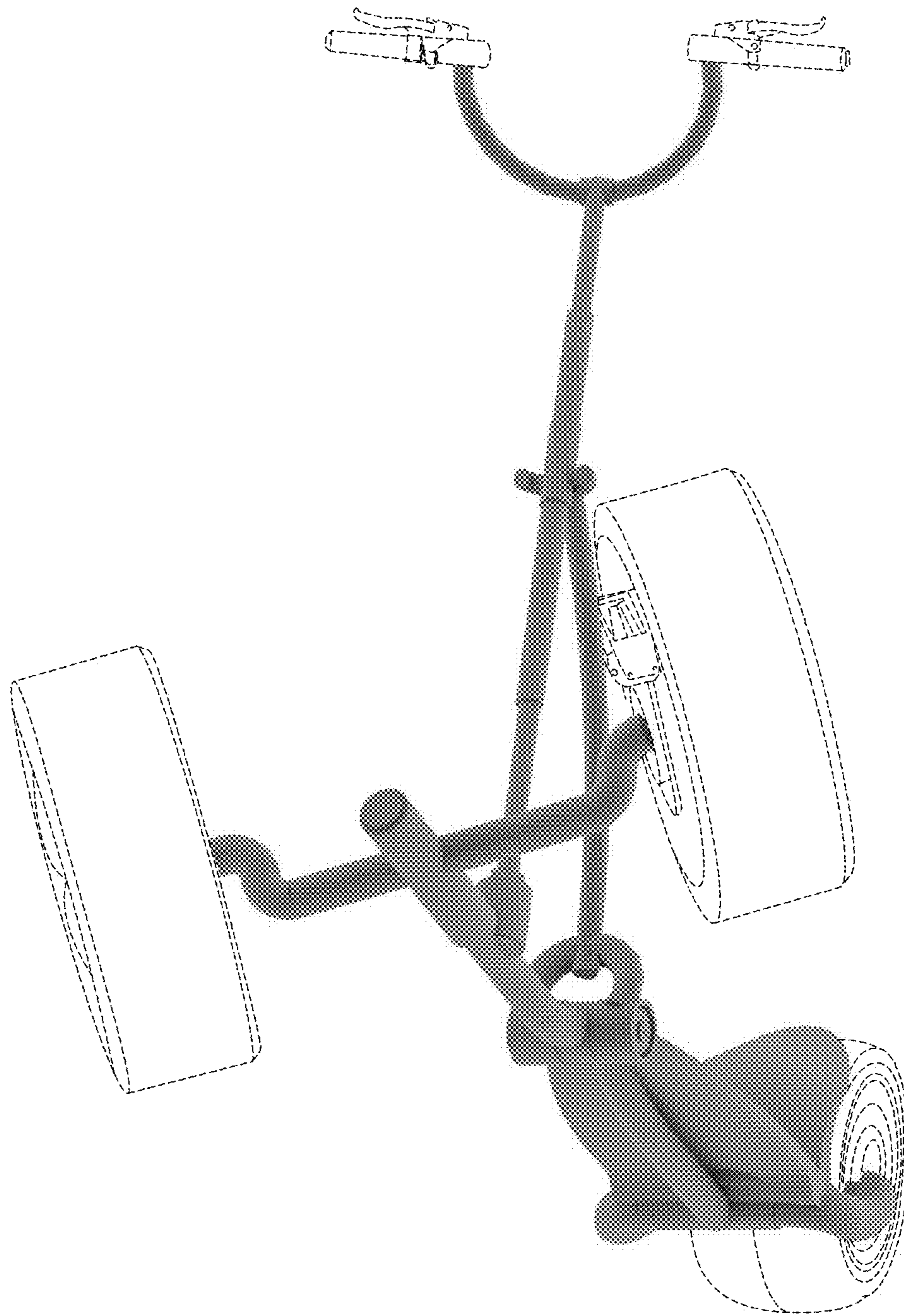


FIG. 12

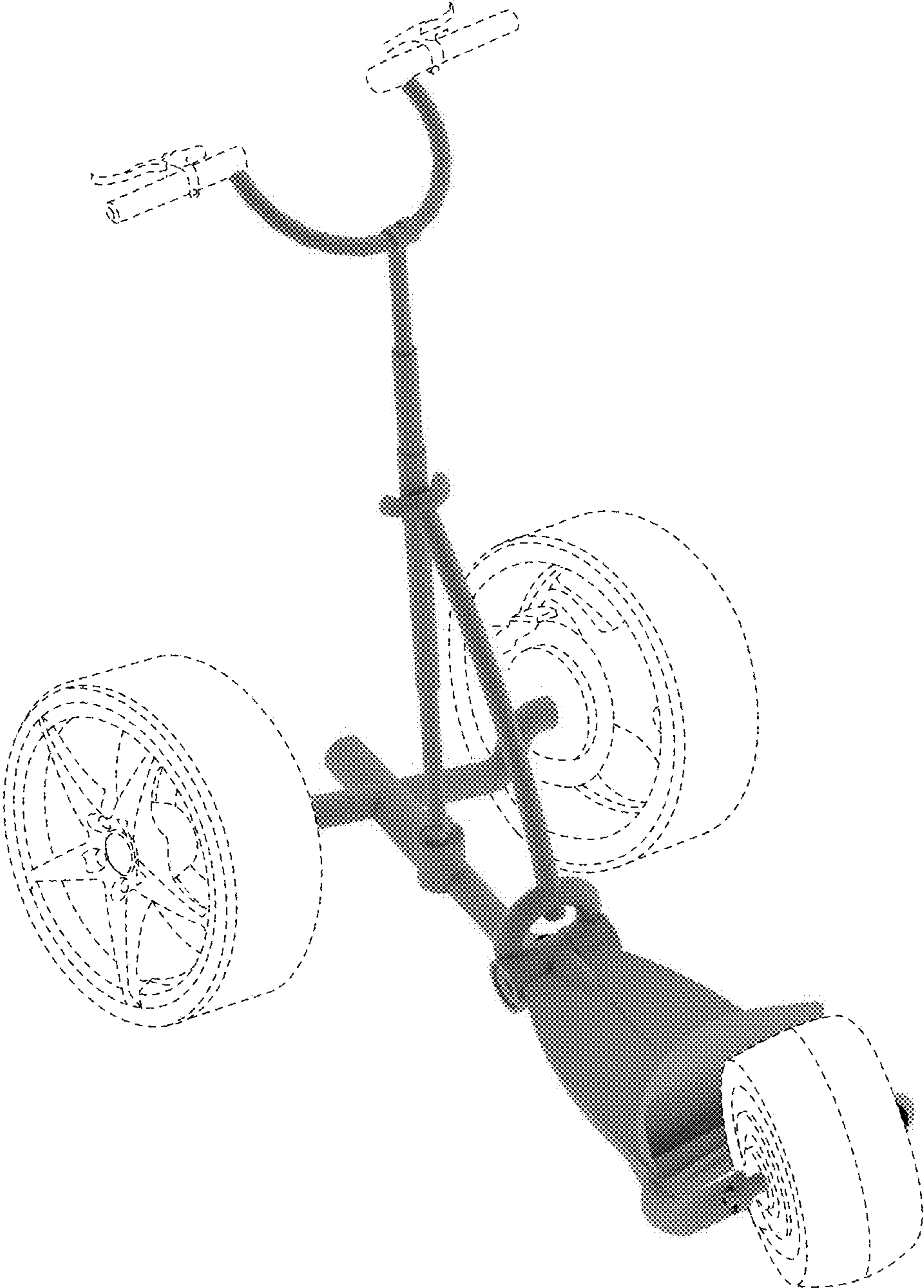


FIG. 13

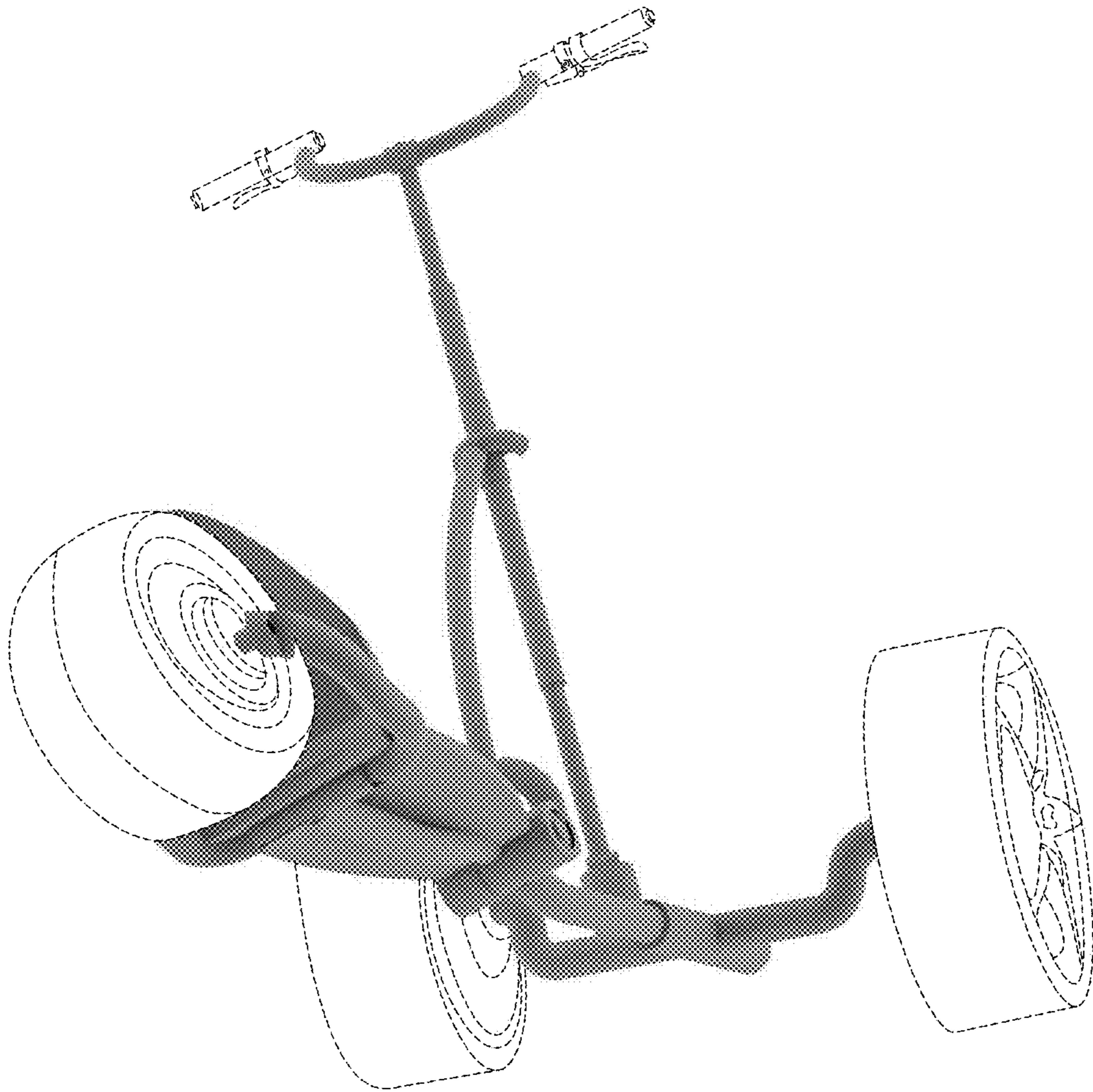


FIG. 14