



US00D907129S

(12) **United States Design Patent** (10) **Patent No.:** **US D907,129 S**  
**Olive et al.** (45) **Date of Patent:** **\*\* \*Jan. 5, 2021**

(54) **GAMING MACHINE TOPPER**

OTHER PUBLICATIONS

(71) Applicant: **Aristocrat Technologies Australia Pty Limited**, North Ryde (AU)

Notice of Allowance dated May 28, 2020 for U.S. Appl. No. 29/639,694 (pp. 1-8).

(72) Inventors: **Scott Olive**, Narrabeen (AU); **John Curtis**, Gold Coast (AU); **Thomas Frawley**, Gold Coast (AU)

(Continued)

*Primary Examiner* — George D. Kirschbaum  
*Assistant Examiner* — Joseph J Kukella

(73) Assignee: **Aristocrat Technologies Australia Pty Limited**, North Ryde (AU)

(74) *Attorney, Agent, or Firm* — Armstrong Teasdale LLP

(\*) Notice: This patent is subject to a terminal disclaimer.

(57) **CLAIM**

(\*\*) Term: **15 Years**

We claim the ornamental design for a gaming machine topper, as shown and described.

(21) Appl. No.: **29/613,149**

(22) Filed: **Aug. 8, 2017**

**DESCRIPTION**

(51) **LOC (13) Cl.** ..... **21-01**

(52) **U.S. Cl.**  
USPC ..... **D21/395**

(58) **Field of Classification Search**  
USPC ..... D6/672, 675, 681; D14/496, 125–129, D14/133, 217, 239; D21/324, 325, 329, D21/330–333, 385; D26/118–122  
CPC .... G06F 1/1601; G06F 1/1603; G06F 1/1505; G06F 1/1647; G06F 1/1652  
See application file for complete search history.

FIG. 1 is a perspective view of an exemplary bank of gaming machines including an exemplary gaming machine topper in accordance with the new design.

FIG. 2 is a front side view thereof.

FIG. 3 is a rear view thereof.

FIG. 4 is a left view thereof.

FIG. 5 is a right view thereof.

FIG. 6 is a top view thereof.

FIG. 7 is a bottom view thereof.

FIG. 8 is a perspective view of an alternative bank of gaming machines including an exemplary gaming machine topper in accordance with the new design.

FIG. 9 is a front side view thereof.

FIG. 10 is a rear view thereof.

FIG. 11 is a left view thereof.

FIG. 12 is a right view thereof.

FIG. 13 is a top view thereof; and,

FIG. 14 is bottom view thereof.

The ornamental design which is claimed is shown in solid lines in the drawings. In the drawings, the broken lines depict portions of the article that form no part of the claimed design.

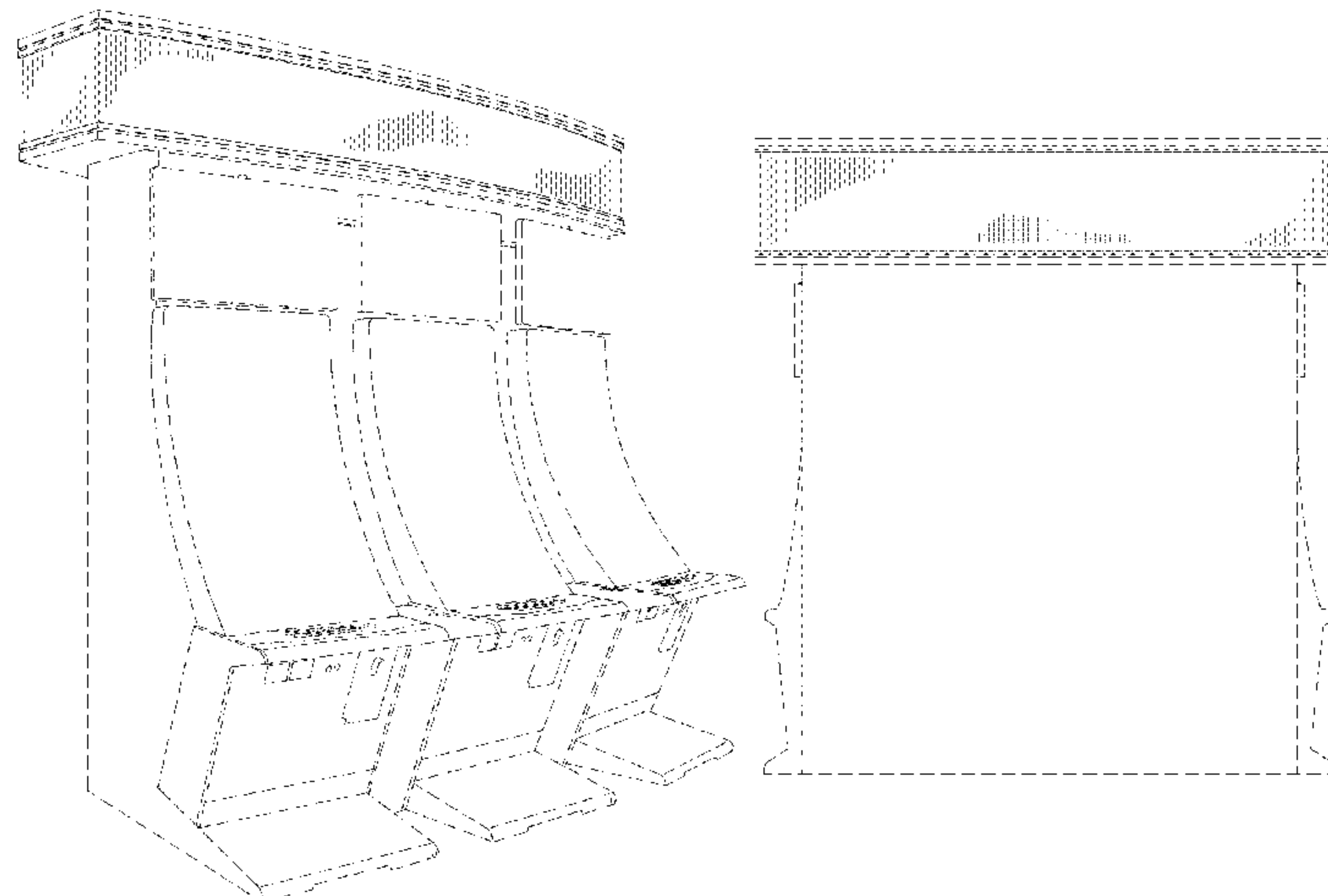
(56) **References Cited**

U.S. PATENT DOCUMENTS

D355,676 S	2/1995	Wilson	
D392,689 S	3/1998	Muraki et al.	
D396,888 S	8/1998	Hayashi	
D396,898 S	8/1998	Tsuda	
D413,936 S	9/1999	Uehara	
D450,096 S	* 11/2001	Legras	D21/325
D510,959 S	10/2005	Morrison	
D519,574 S	* 4/2006	Myers	D21/369
D596,678 S	* 7/2009	Myers	D21/370
D617,388 S	6/2010	Wildner	
D617,389 S	6/2010	Wildner	

(Continued)

**1 Claim, 14 Drawing Sheets**



(56)

**References Cited**

U.S. PATENT DOCUMENTS

D646,336 S	10/2011	Kelly	
D695,706 S	12/2013	Garneau	
D706,741 S	6/2014	Myers	
D719,617 S	* 12/2014	Inoue .....	D21/369
D733,088 S	6/2015	Garneau	
D762,613 S	8/2016	Garneau	
D787,605 S	5/2017	Bushnell	
D792,520 S	7/2017	Hohman	
D835,196 S	12/2018	Zelinka	
D880,604 S	* 4/2020	Olive .....	D21/369

OTHER PUBLICATIONS

Australian Design Examination Report No. 1 for Application No. 201812639, dated Aug. 28, 2018, 2 pages.  
 Google: Gaming machine' which was published on the website <http://spinning2win.blogspot.com/2016/09/> on Sep. 20, 2016. 1 page.  
 Twitter: Aristocrat slots' which was published on the website [https://twitter.com/aristocratslots/status/852587967164039169/photo/1?ref\\_src=twsrc%5Etfwc%7Ctwcamp%5Etweetembed%7Ctwterm%5E852587967164039169&ref\\_url=http%3A%2F%2Fwww.freearistocratpokies.com%2Fdra...](https://twitter.com/aristocratslots/status/852587967164039169/photo/1?ref_src=twsrc%5Etfwc%7Ctwcamp%5Etweetembed%7Ctwterm%5E852587967164039169&ref_url=http%3A%2F%2Fwww.freearistocratpokies.com%2Fdra...) on Apr. 13, 2017. 2 pages.  
 Twitter: Aristocrat gaming cabinet <https://twitter.com/search?f=images&q=Aristocrat%20gaming%20cabinets%20&src=typd> Jul. 6, 2017. 2 pages.  
 Twitter: Aristocrat Gaming' which was published on the website <https://twitter.com/aristocratslots> on Apr. 12, 2017.

YouTube: Dragon Link' which was published on the website [https://www.youtube.com/watch?v=Hdn\\_15w3a0Y](https://www.youtube.com/watch?v=Hdn_15w3a0Y) on Apr. 5, 2017. 2 pages.  
 Google: Dragon Link' which was published on the website <http://www.gamesbras.com/english-version/2017/3/30/aristocrats-slots-named-most-innovative-products-117.html> on Mar. 30, 2017. 2 pages.  
 Australian Design Examination Report No. 1 for Application No. 201812640, dated Aug. 28, 2018, 2 pages.  
 Australian Design Examination Report No. 1 for Application No. 201812634, dated Aug. 28, 2018, 2 pages.  
 Google search—Fast Cash poker machines' which was published on the website <http://www.freearistocratpokies.com/dragon-link-fast-cash-pokies-named-casino-journals-top-20-innovative-gaming-technology-products-awards-2016/> on Apr. 28, 2017. 2 pages.  
 Google search—Aristocrat gaming' which was published on the website <http://www.gamesbras.com/english-version/2017/3/30/aristocrats-slots-named-most-innovative-products-1711.html> on Mar. 30, 2017. 1 page.  
 Australian Design Examination Report No. 1 for Application No. 201812637, dated Aug. 28, 2018, 6 pages.  
 Twitter search—Aristocrat gaming' which was published on the website <https://twitter.com/aristocratslots/status/852244558603624448> on Apr. 12, 2017. 1 page.  
 Twitter search—Aristocrat gaming' which was published on the website <https://twitter.com/MeskwakiCasino/status/817127325422718980> on Jan. 5, 2017. 1 page.  
 Office Action dated Jun. 29, 2020 for U.S. Appl. No. 29/613,154 (pp. 1-4).

\* cited by examiner

FIG. 1

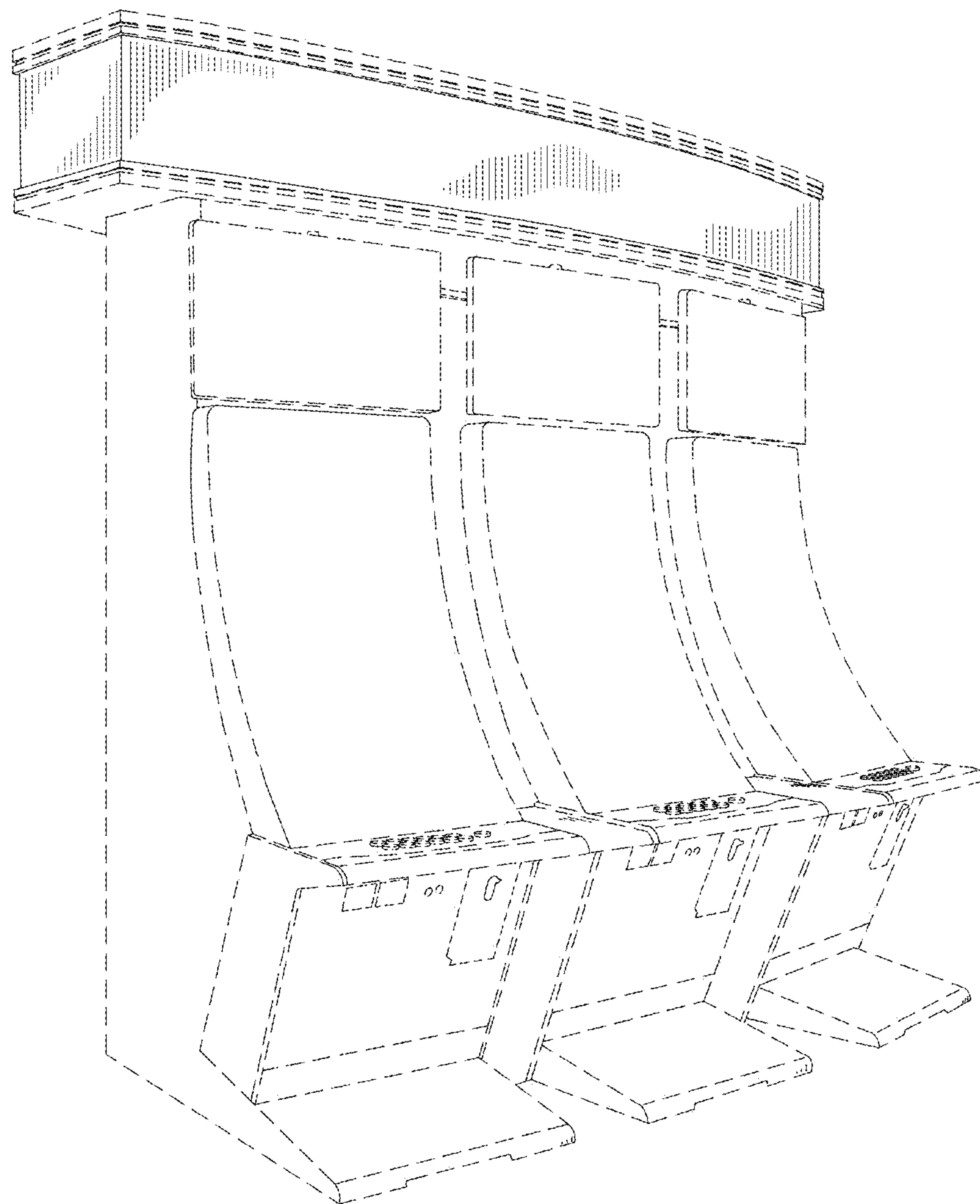


FIG. 2

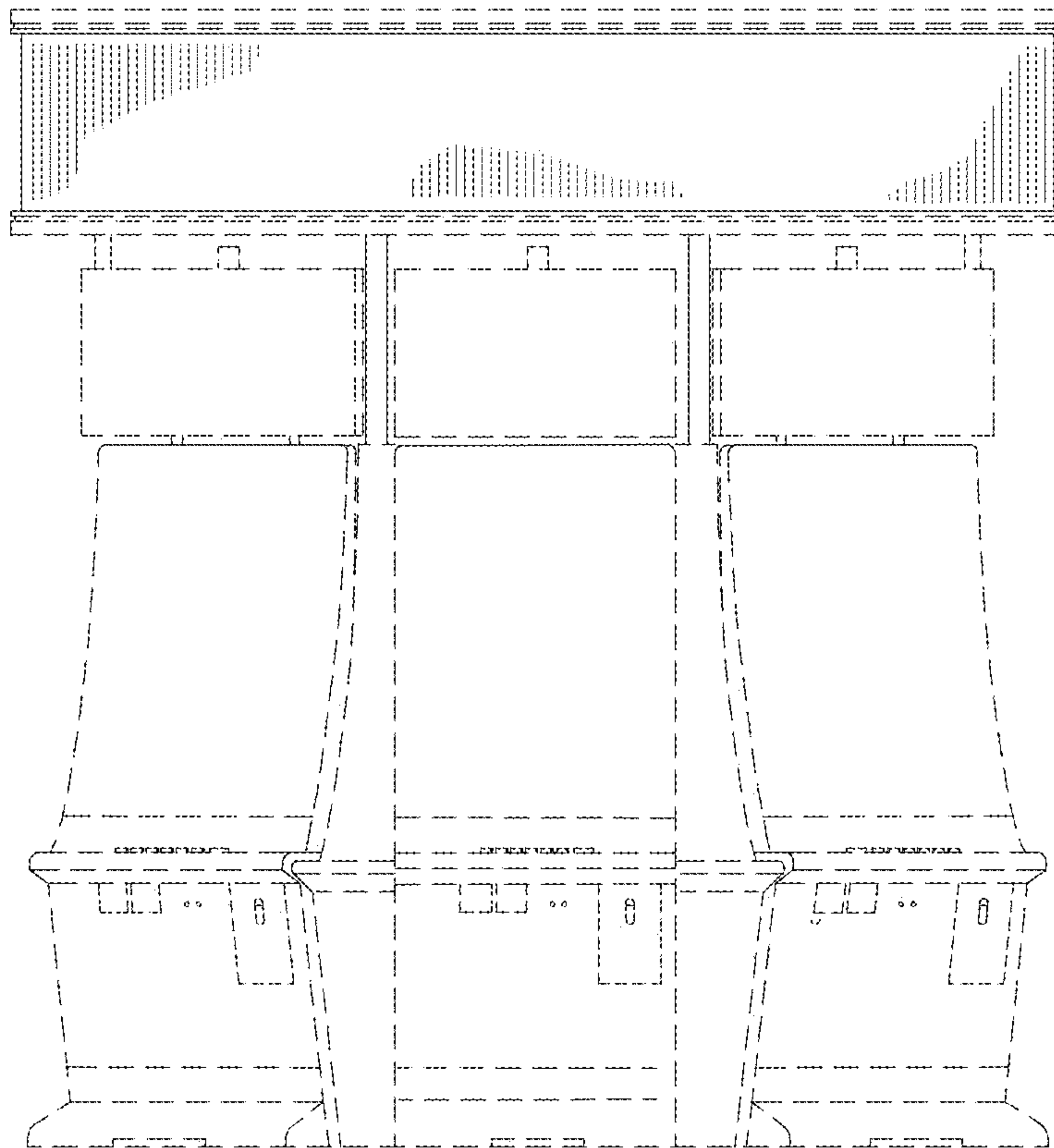




FIG. 3

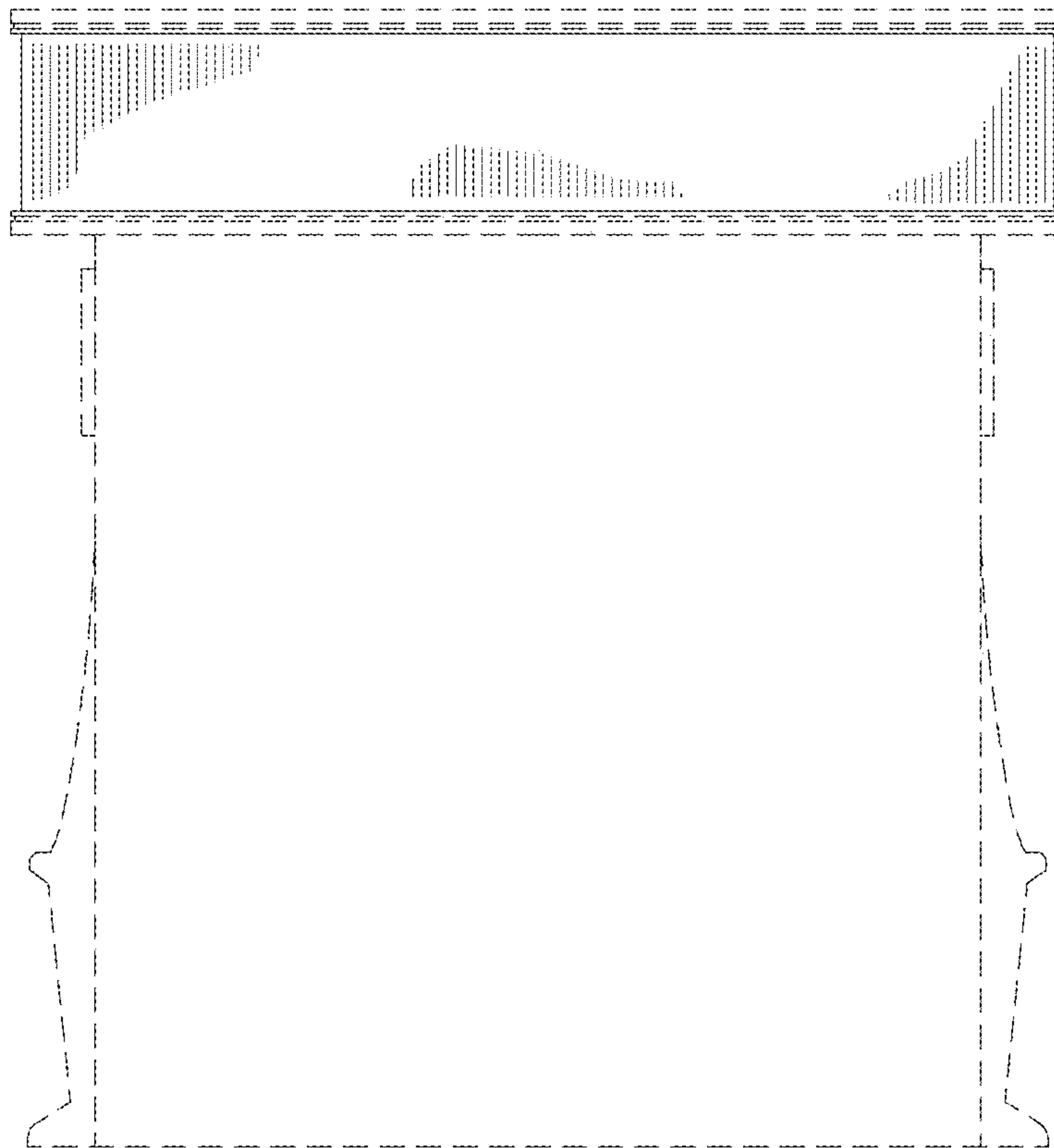


FIG. 4

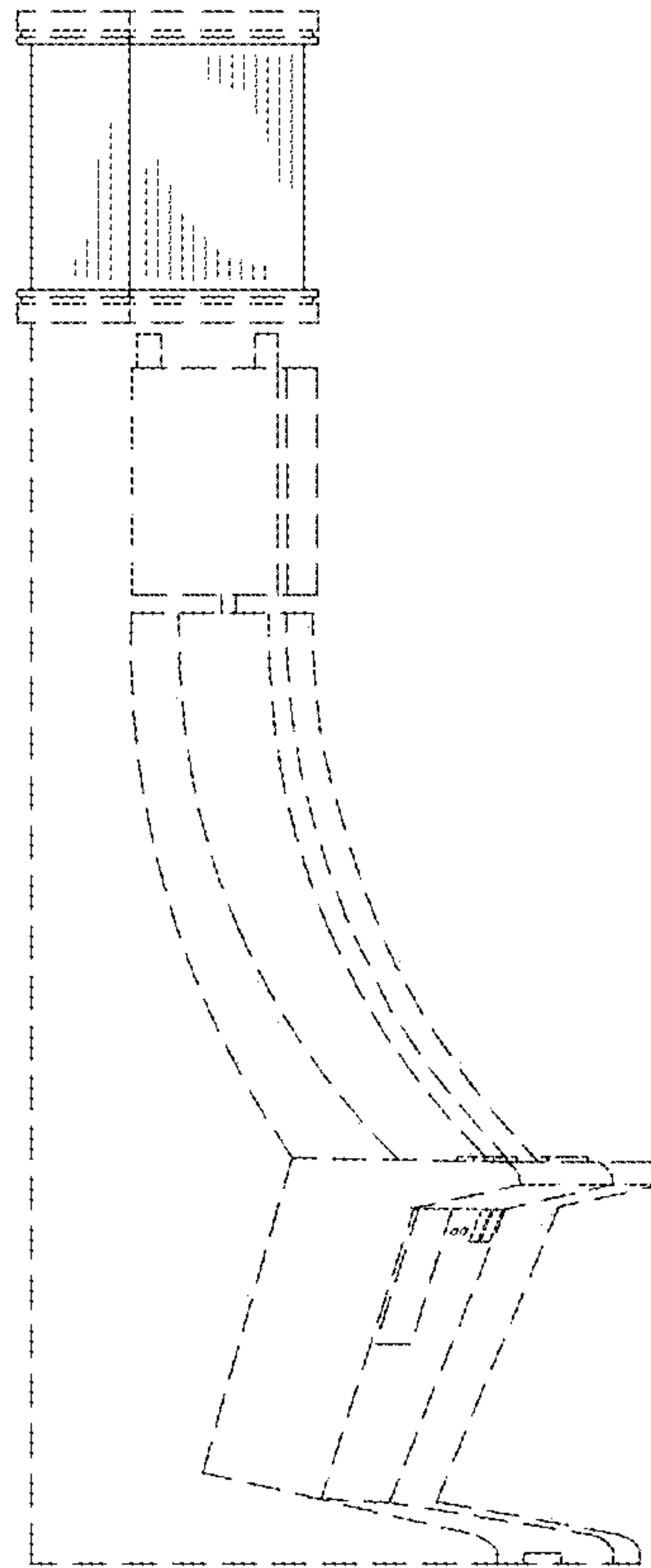


FIG. 5

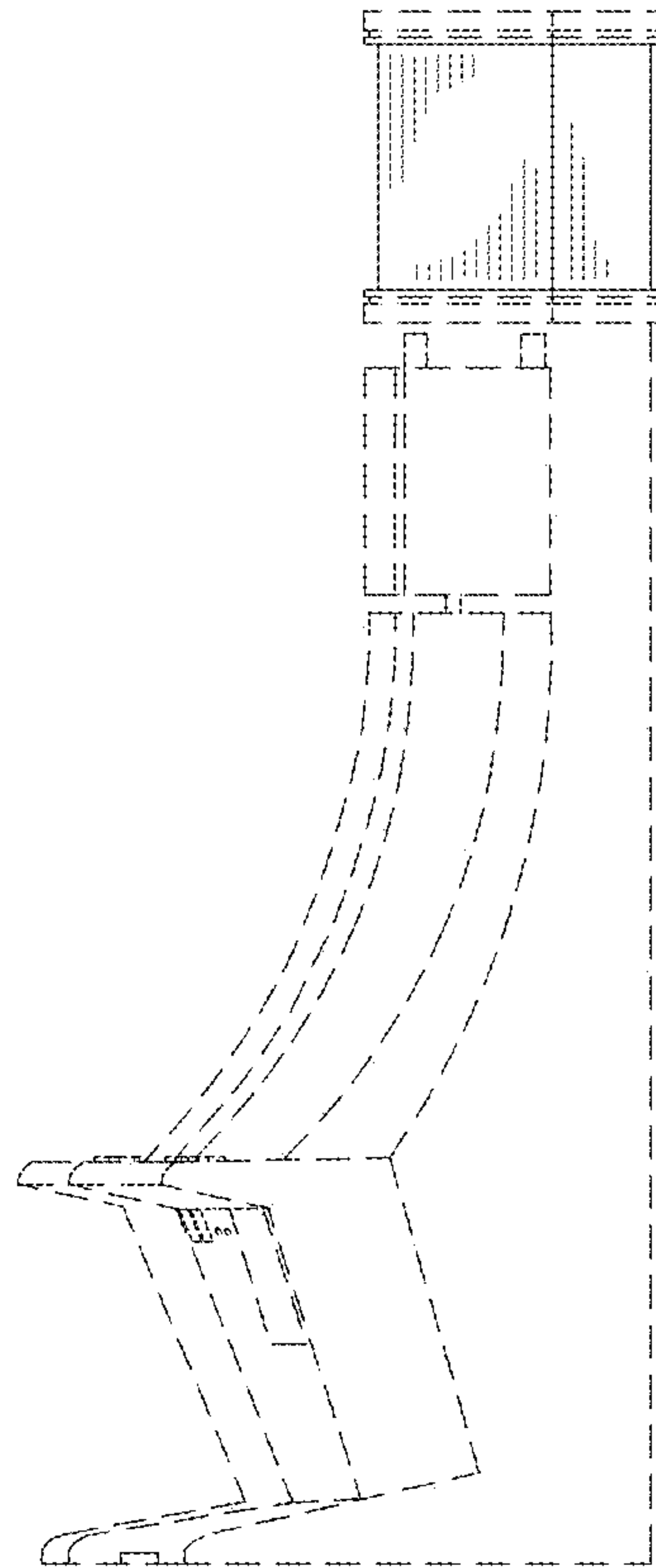


FIG. 6

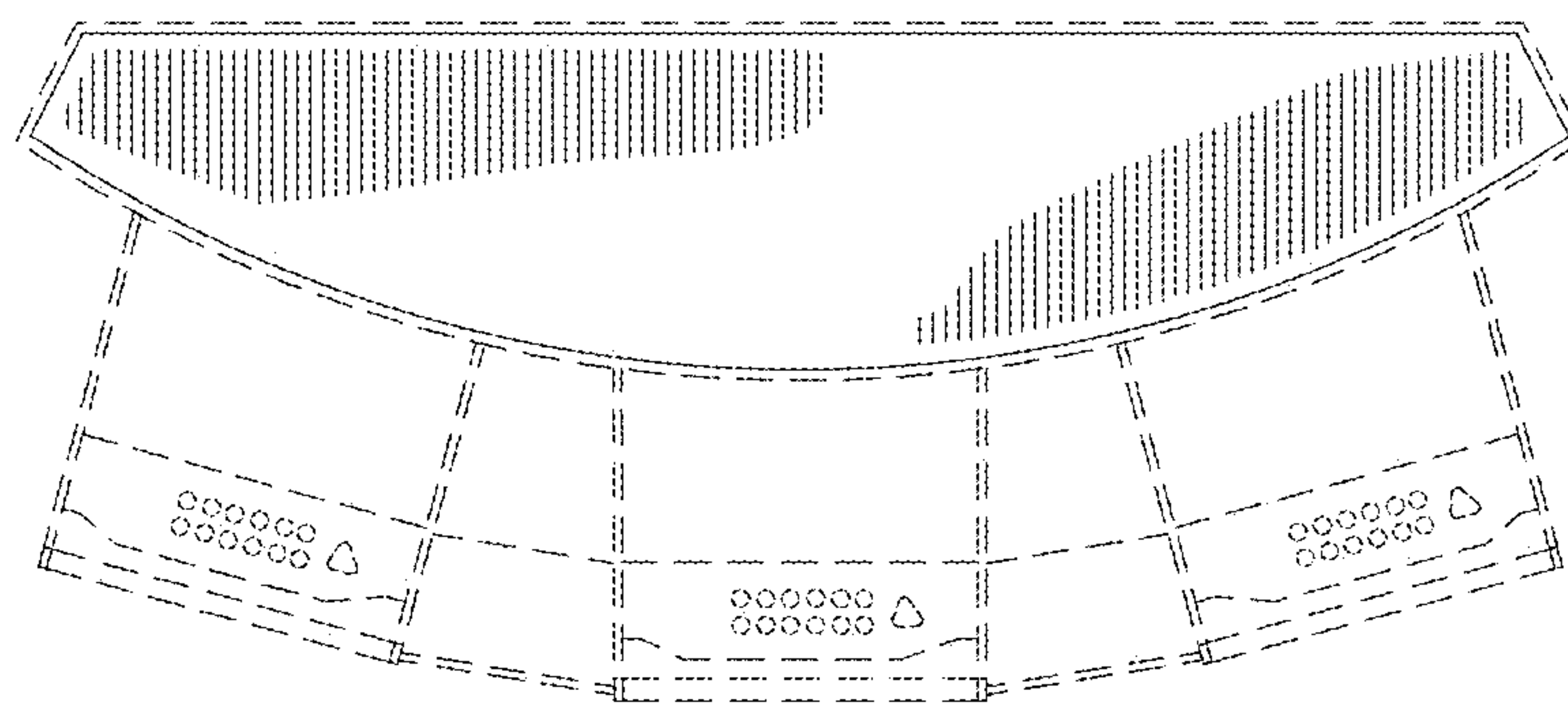




FIG. 7

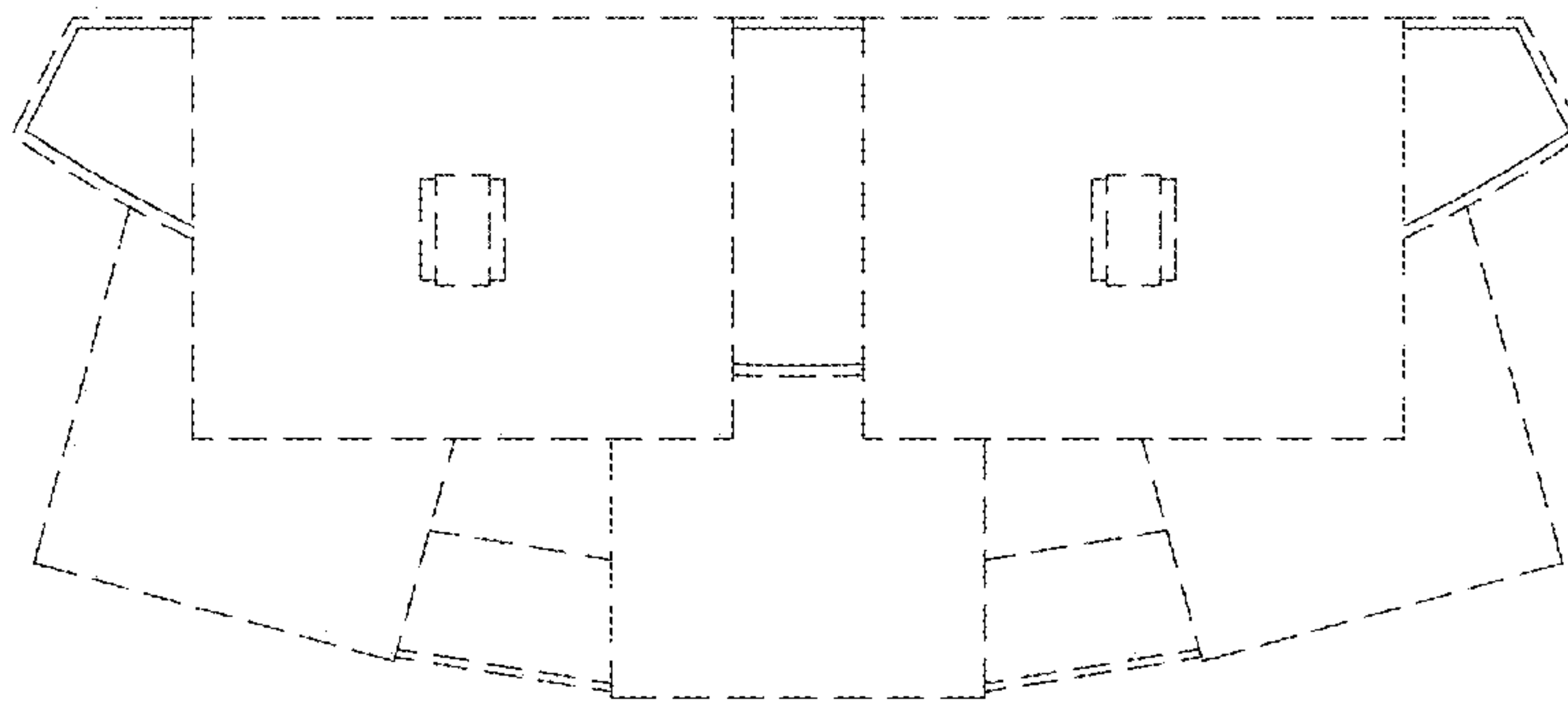


FIG. 8

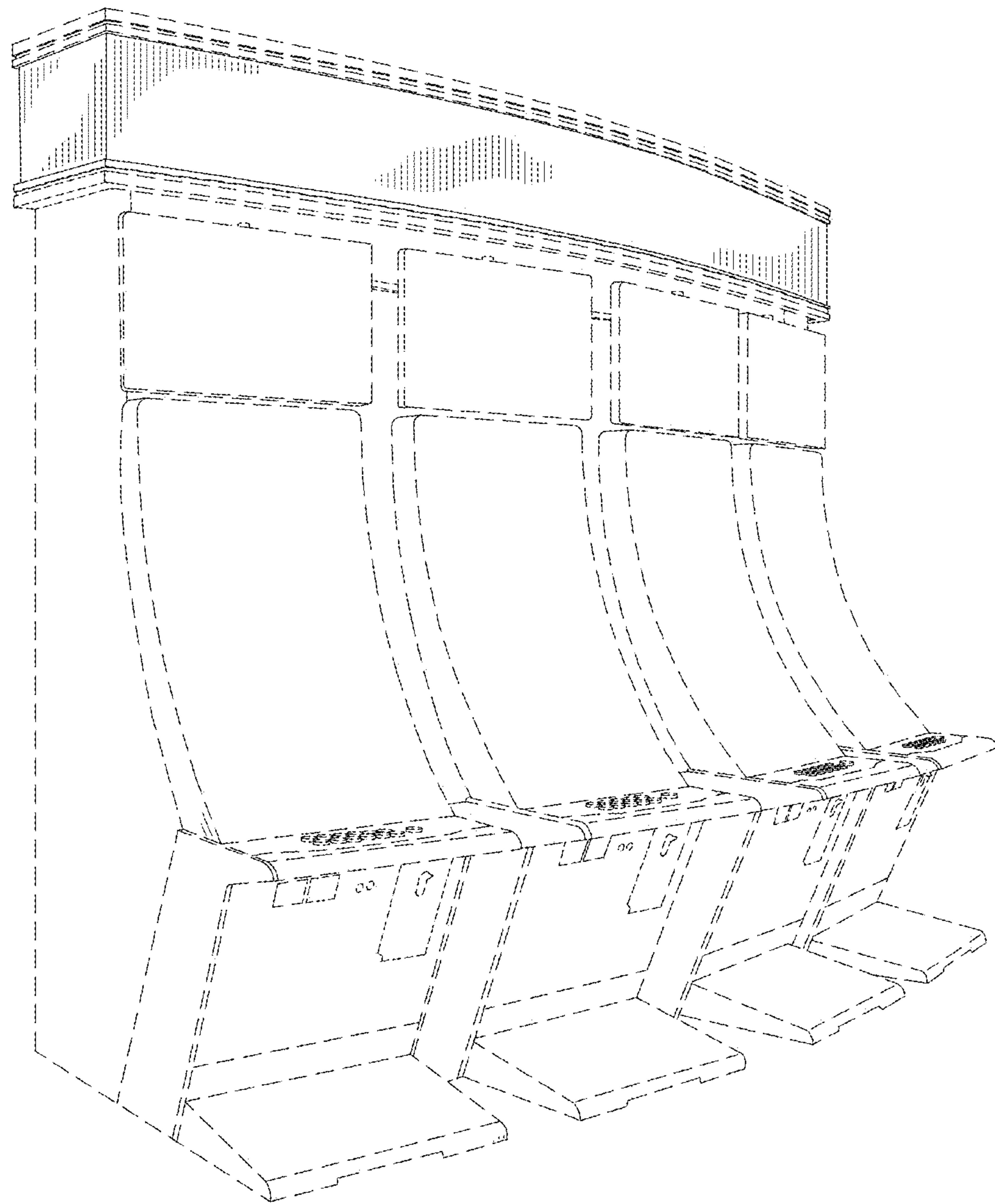


FIG. 9

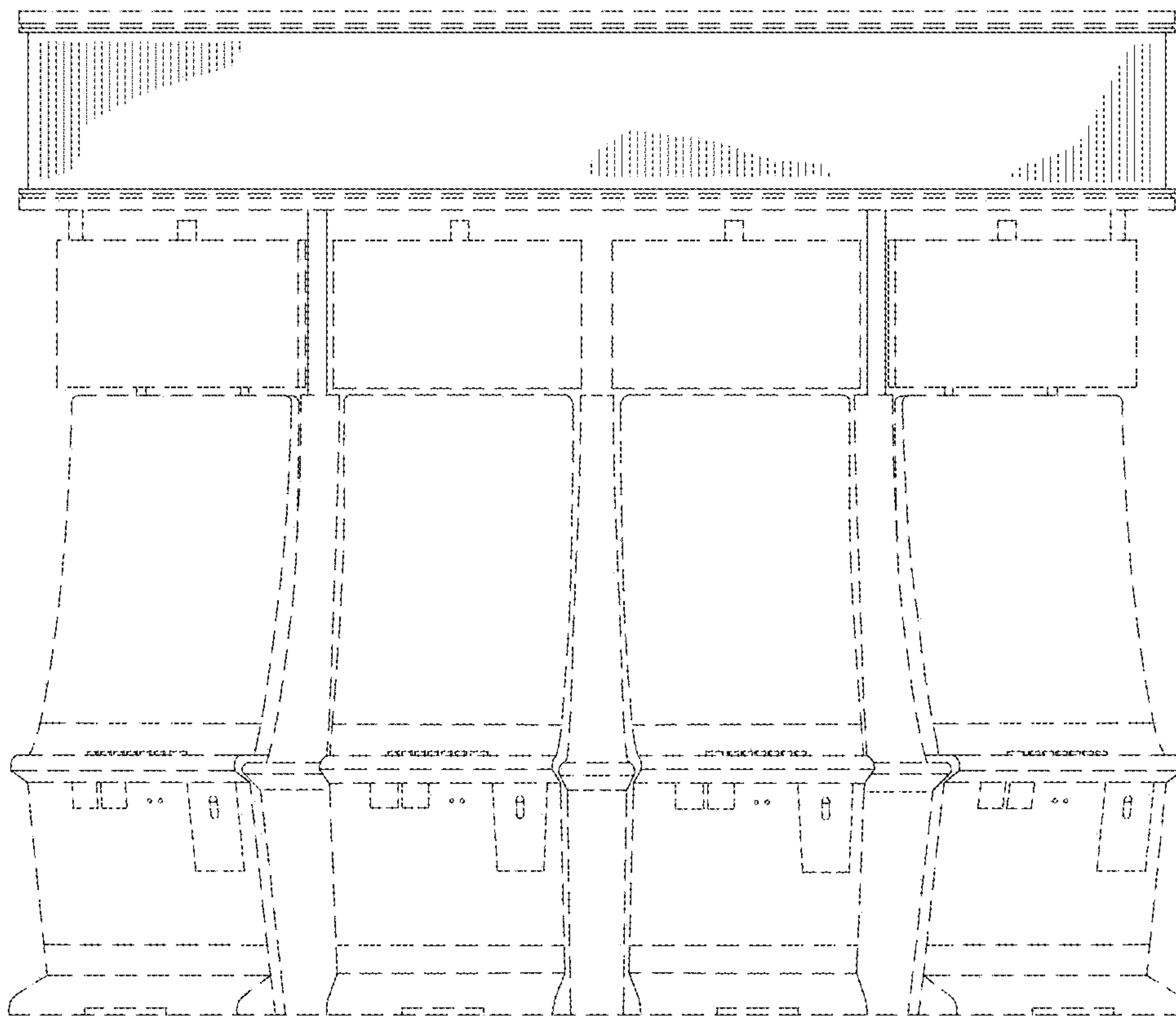


FIG. 10

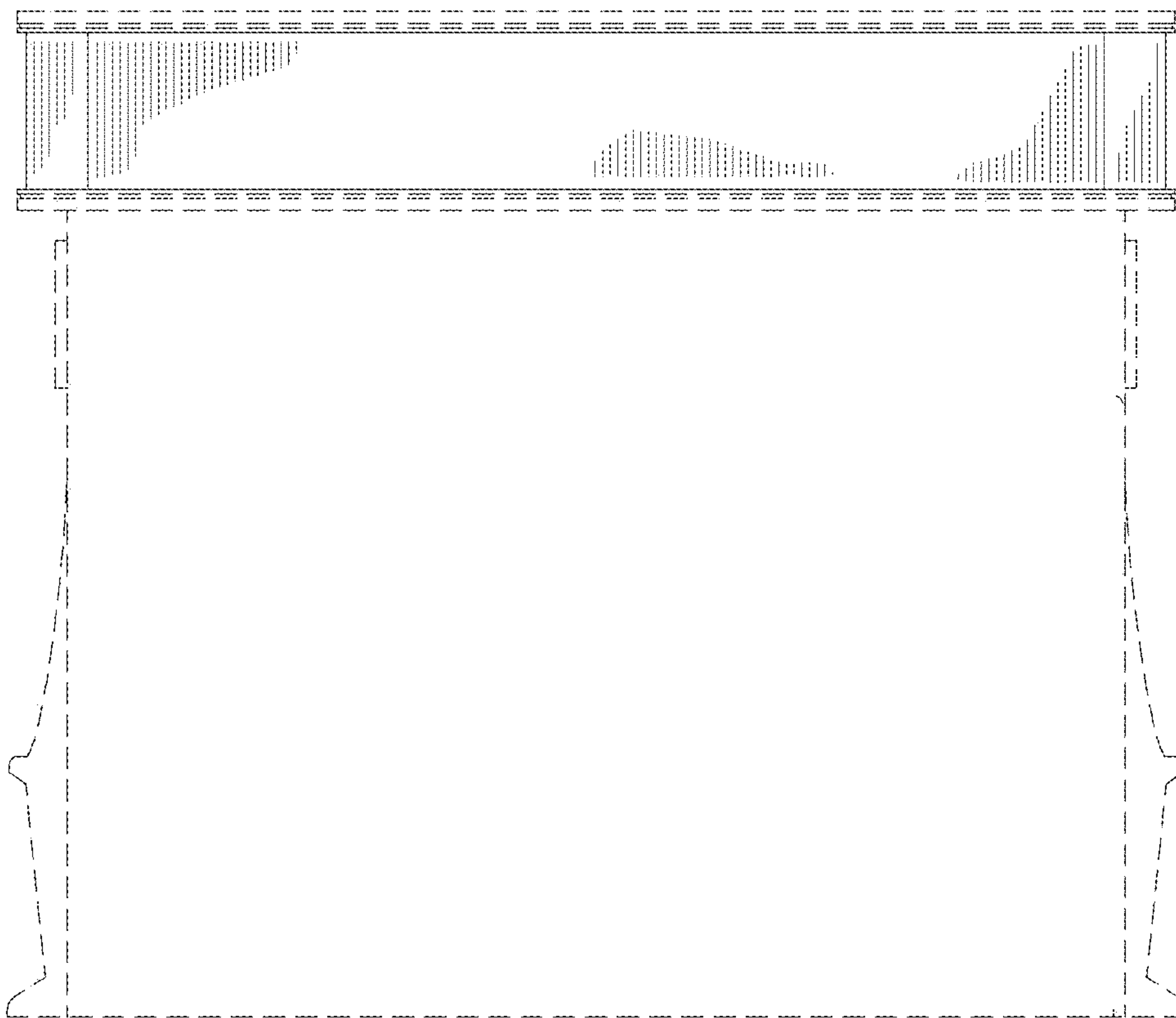


FIG. 11

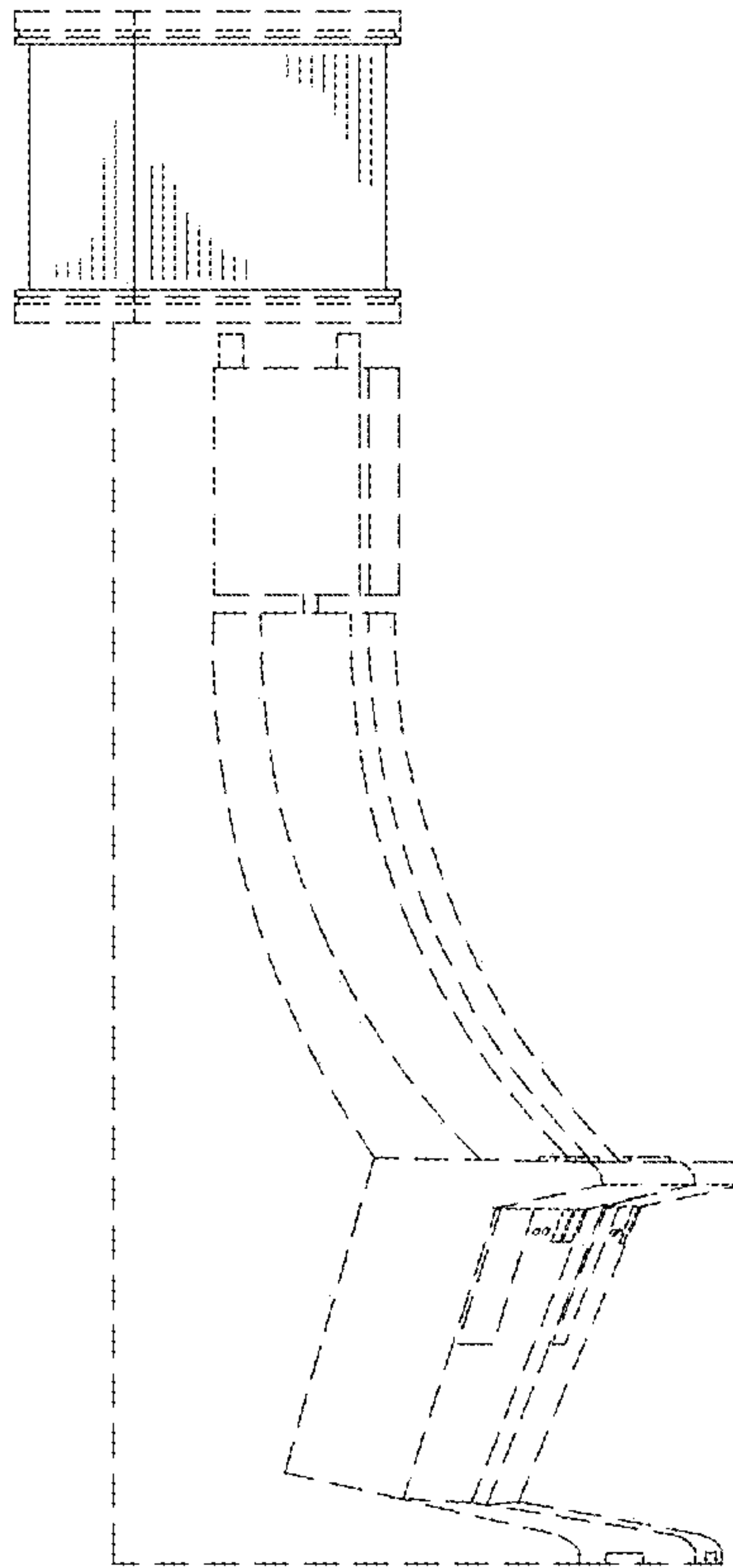


FIG. 12

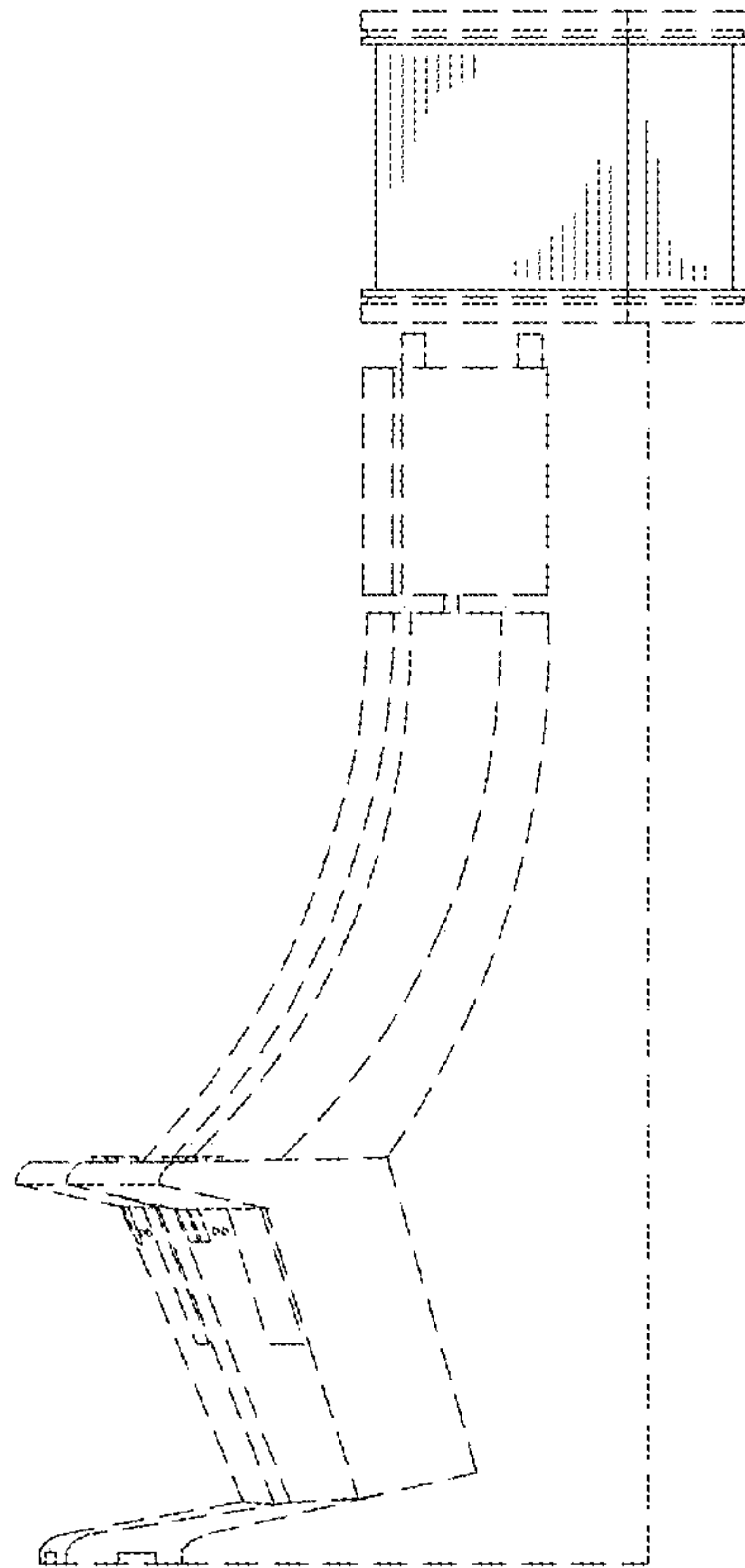




FIG. 13

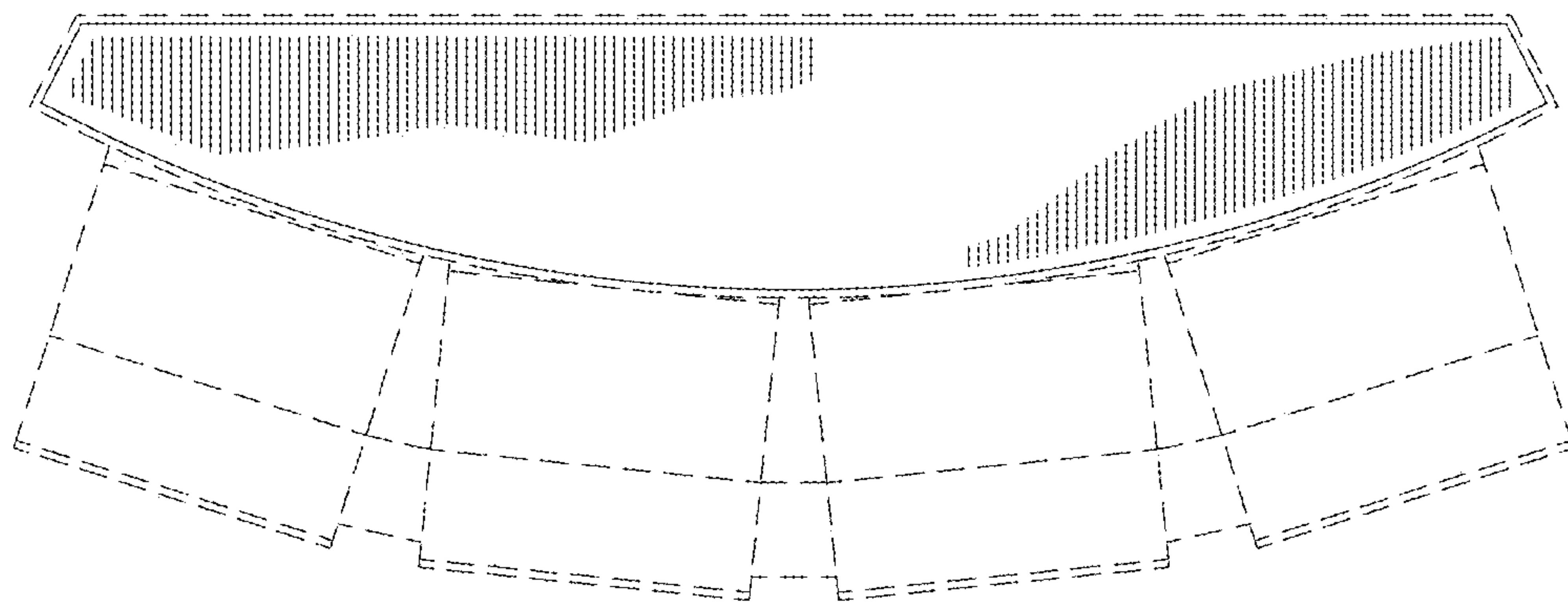
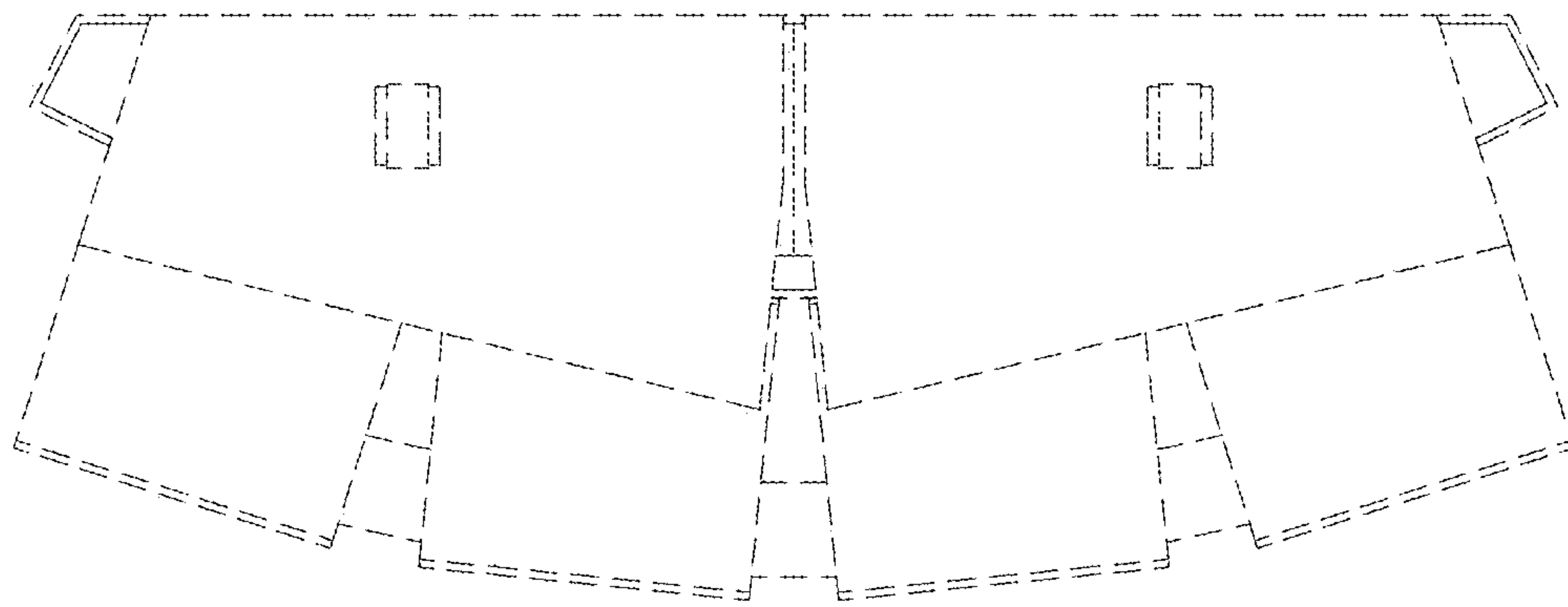


FIG. 14



UNITED STATES PATENT AND TRADEMARK OFFICE  
**CERTIFICATE OF CORRECTION**

PATENT NO. : D907,129 S  
APPLICATION NO. : 29/613149  
DATED : January 5, 2021  
INVENTOR(S) : Scott Olive et al.

Page 1 of 8

It is certified that error appears in the above-identified patent and that said Letters Patent is hereby corrected as shown below:


On the Title Page

Delete the title page and substitute therefore with the attached title page consisting of the corrected illustrative figure.

In the Drawings

Please replace Figs. 1, 3, 8, 10, 11 and 12 with Figs. 1, 3, 8, 10, 11 and 12 as shown on the attached pages.

Signed and Sealed this  
Seventh Day of May, 2024



Katherine Kelly Vidal  
*Director of the United States Patent and Trademark Office*

(12) **United States Design Patent** (10) **Patent No.:** **US D907,129 S**  
**Olive et al.** (45) **Date of Patent:** \*\* **\*Jan. 5, 2021**

(54) **GAMING MACHINE TOPPER**

OTHER PUBLICATIONS

(71) Applicant: **Aristocrat Technologies Australia Pty Limited**, North Ryde (AU)

Notice of Allowance dated May 28, 2020 for U.S. Appl. No. 29/639,694 (pp. 1-8).

(72) Inventors: **Scott Olive**, Narrabeen (AU); **John Curtis**, Gold Coast (AU); **Thomas Frawley**, Gold Coast (AU)

(Continued)

*Primary Examiner* — George D. Kirschbaum

*Assistant Examiner* — Joseph J Kukella

(73) Assignee: **Aristocrat Technologies Australia Pty Limited**, North Ryde (AU)

(74) *Attorney, Agent, or Firm* — Armstrong Teasdale LLP

(\* ) Notice: This patent is subject to a terminal disclaimer.

(57) **CLAIM**

(\*\*) Term: **15 Years**

We claim the ornamental design for a gaming machine topper, as shown and described.

(21) Appl. No.: **29/613,149**

(22) Filed: **Aug. 8, 2017**

**DESCRIPTION**

(51) **LOC (13) CL.** ..... **21-01**

(52) **U.S. CL.**

USPC ..... **D21/395**

(58) **Field of Classification Search**

USPC ..... D6/672, 675, 681; D14/496, 125–129,

D14/133, 217, 239; D21/324, 325, 329,

D21/330–333, 385; D26/118–122

CPC .... G06F 1/1601; G06F 1/1603; G06F 1/1505;

G06F 1/1647; G06F 1/1652

See application file for complete search history.

FIG. 1 is a perspective view of an exemplary bank of gaming machines including an exemplary gaming machine topper in accordance with the new design.

FIG. 2 is a front side view thereof.

FIG. 3 is a rear view thereof.

FIG. 4 is a left view thereof.

FIG. 5 is a right view thereof.

FIG. 6 is a top view thereof.

FIG. 7 is a bottom view thereof.

FIG. 8 is a perspective view of an alternative bank of gaming machines including an exemplary gaming machine topper in accordance with the new design.

FIG. 9 is a front side view thereof.

FIG. 10 is a rear view thereof.

FIG. 11 is a left view thereof.

FIG. 12 is a right view thereof.

FIG. 13 is a top view thereof; and,

FIG. 14 is bottom view thereof.

The ornamental design which is claimed is shown in solid lines in the drawings. In the drawings, the broken lines depict portions of the article that form no part of the claimed design.

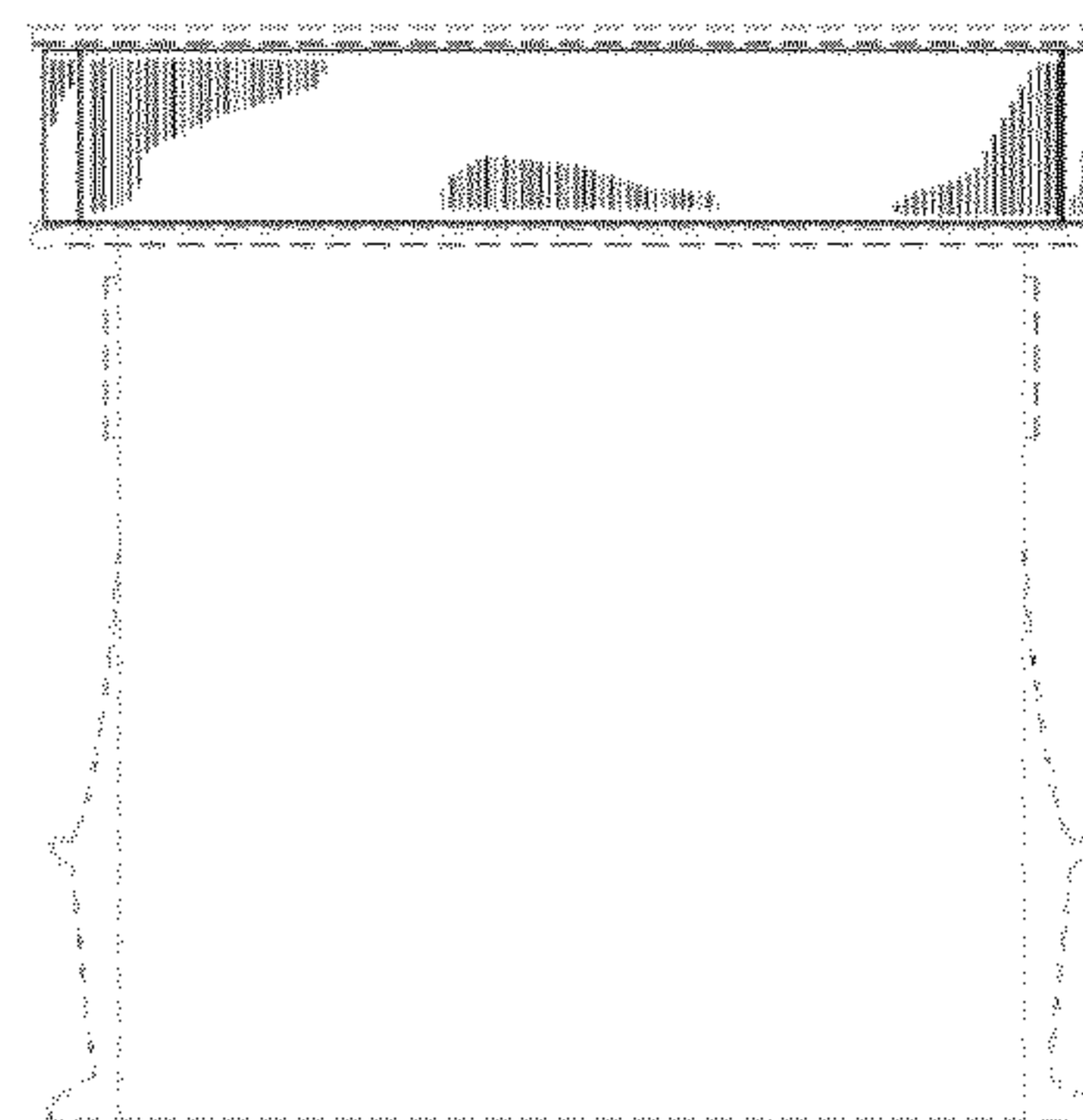
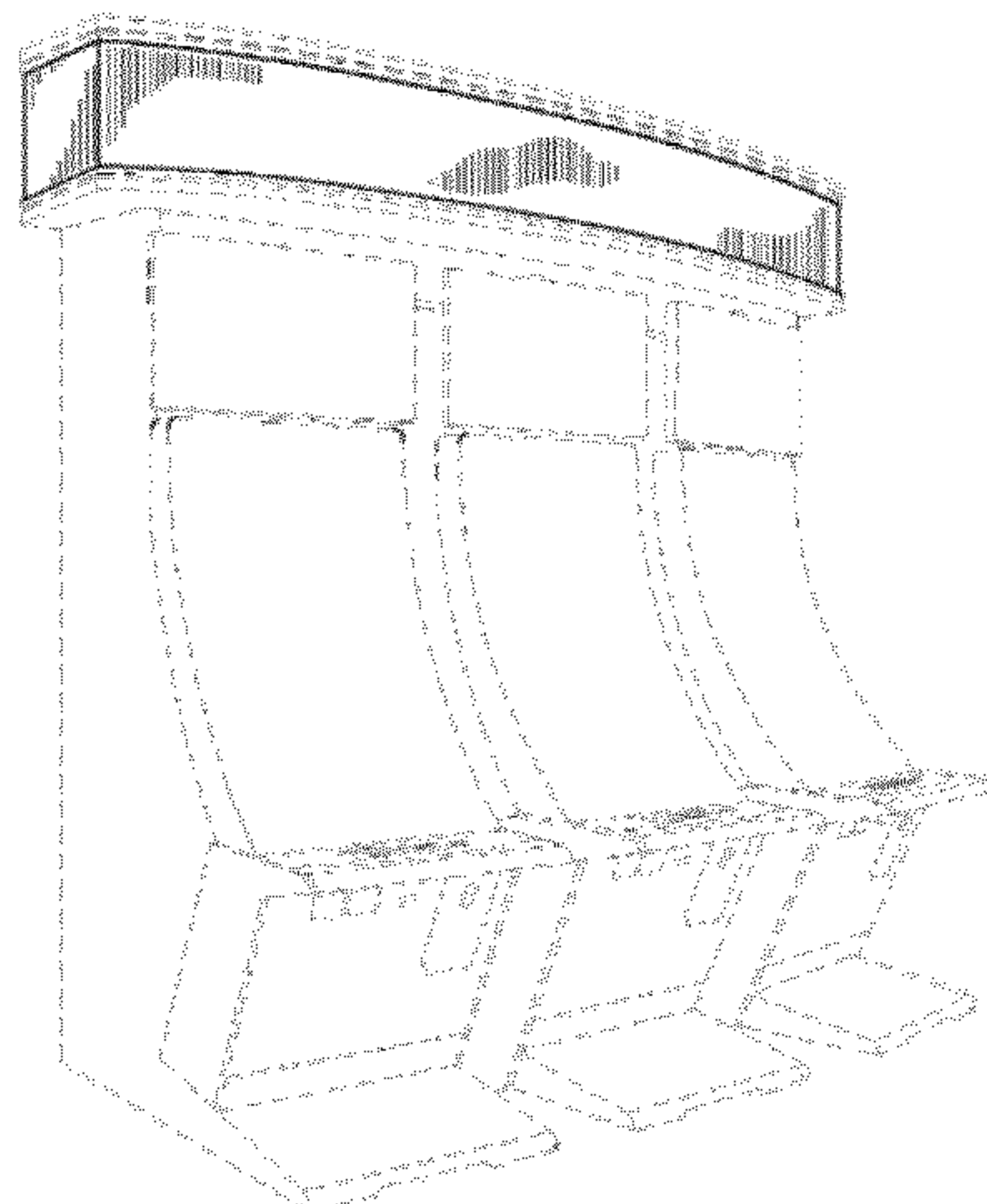
(56) **References Cited**

U.S. PATENT DOCUMENTS

D355,676 S	2/1995	Wilson	
D392,689 S	3/1998	Muraki et al.	
D396,888 S	8/1998	Hayashi	
D396,898 S	8/1998	Tsuda	
D413,936 S	9/1999	Uehara	
D450,096 S	* 11/2001	Legras	..... D21/325
D510,959 S	10/2005	Morrison	
D519,574 S	* 4/2006	Myers	..... D21/369
D596,678 S	* 7/2009	Myers	..... D21/370
D617,388 S	6/2010	Wildner	
D617,389 S	6/2010	Wildner	

(Continued)

**1 Claim, 14 Drawing Sheets**



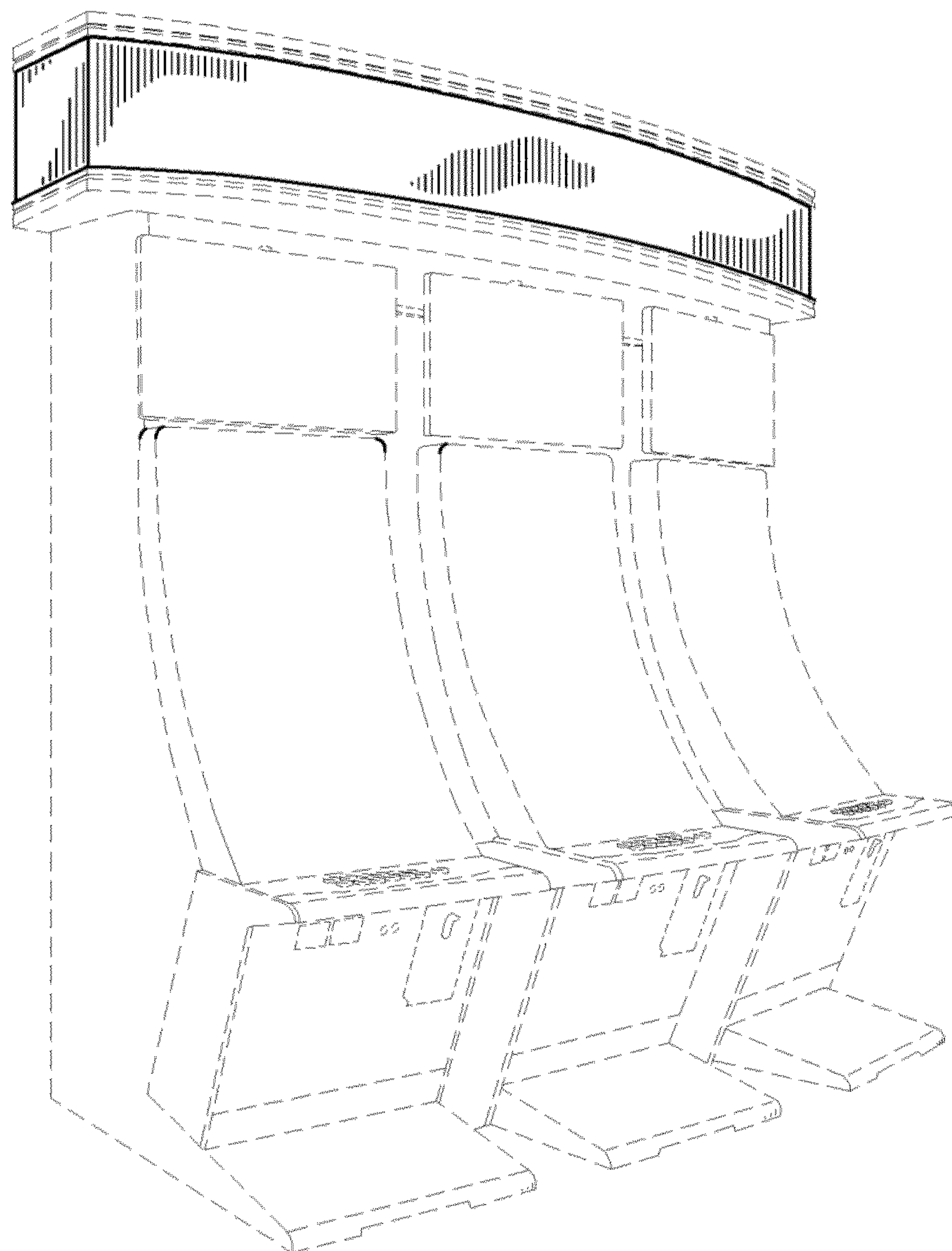


FIG. 1



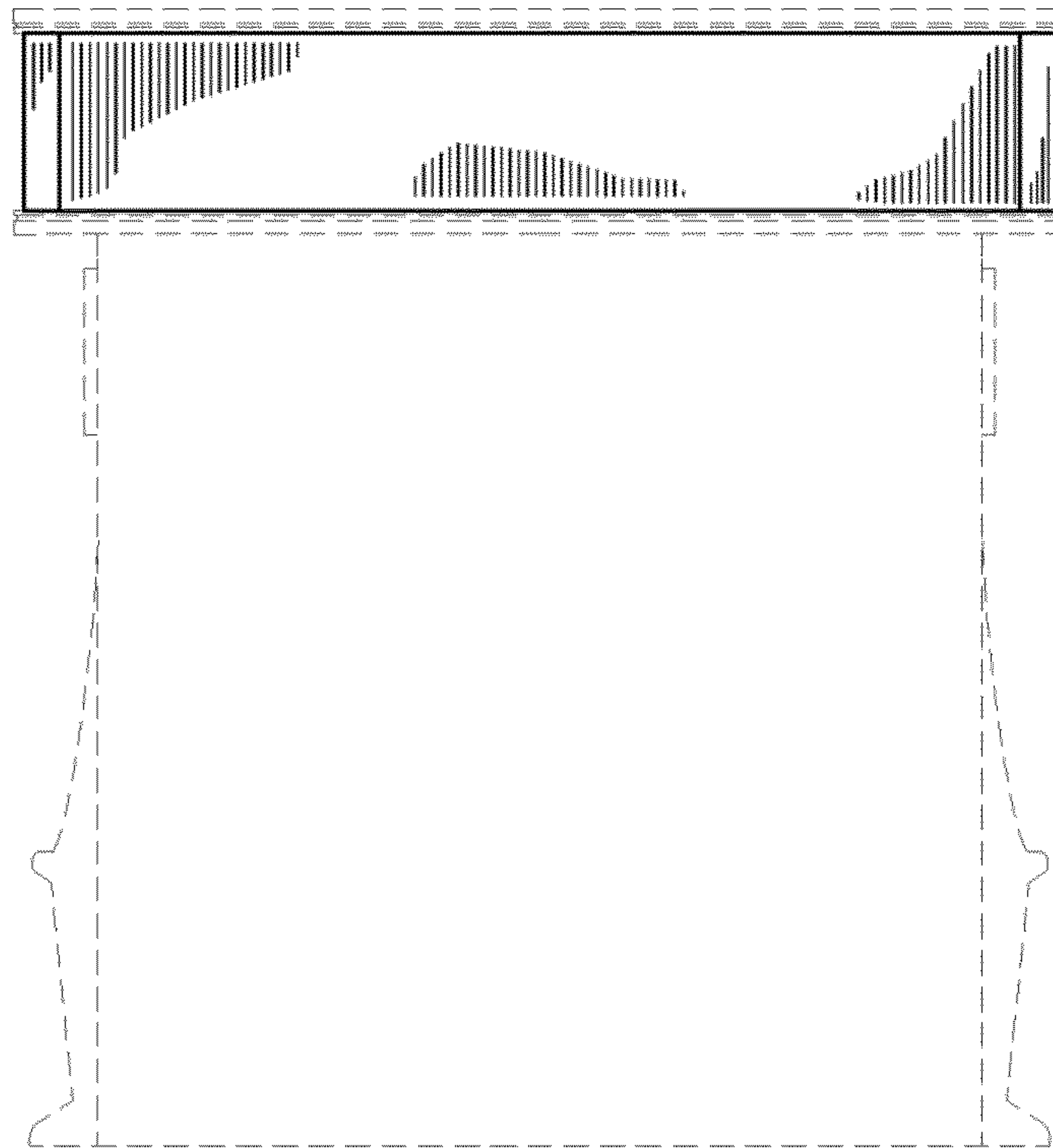


FIG. 3



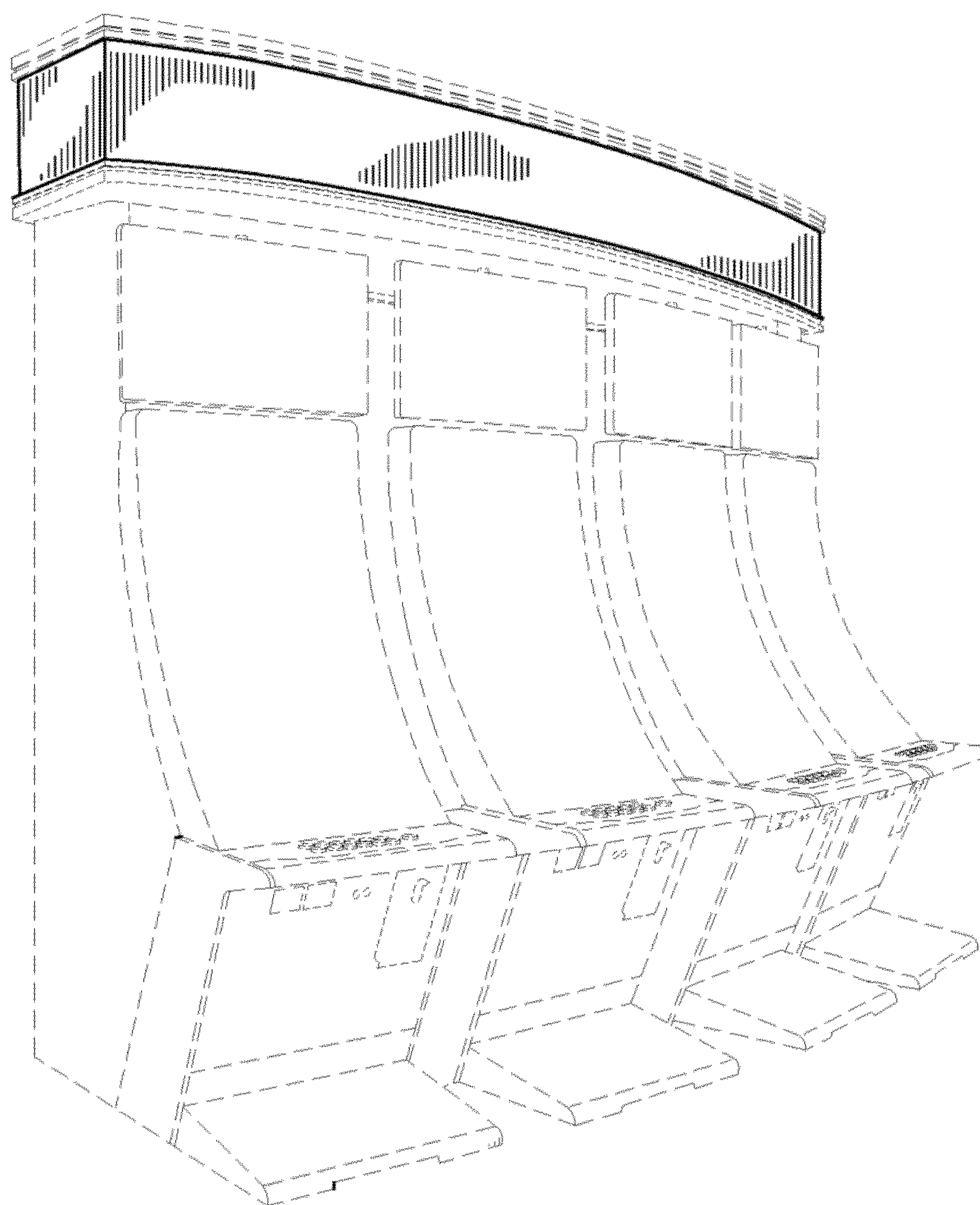


FIG. 8

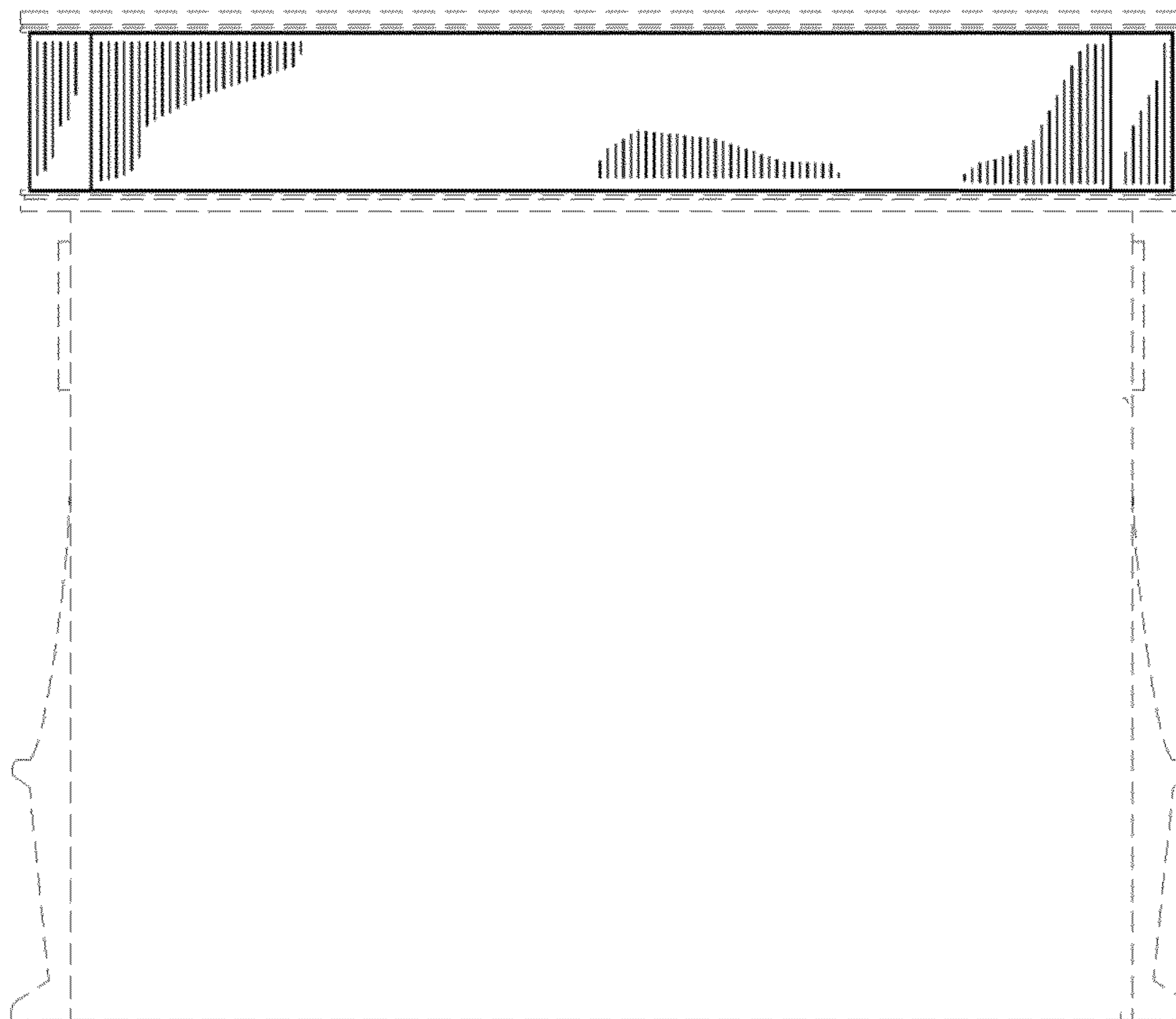


FIG. 10

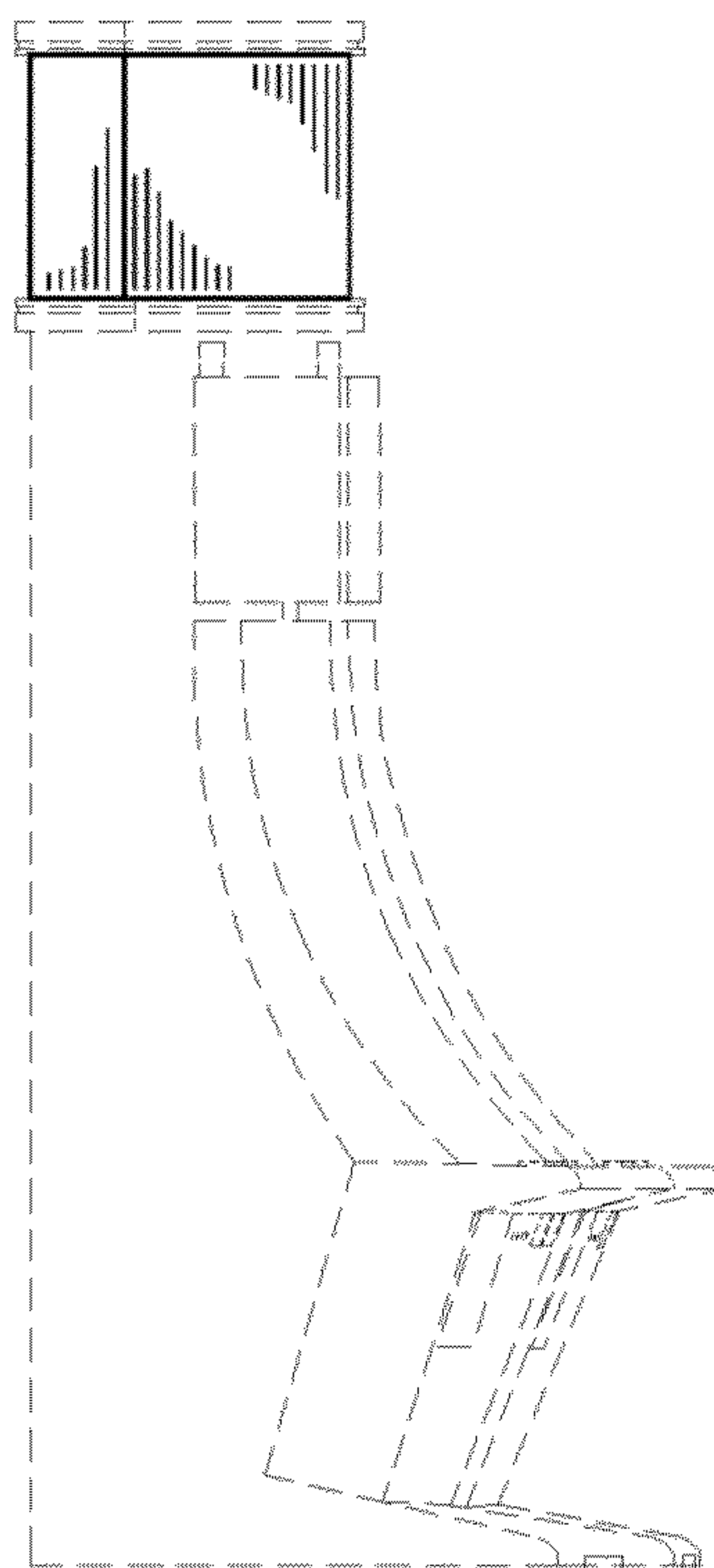


FIG. 11

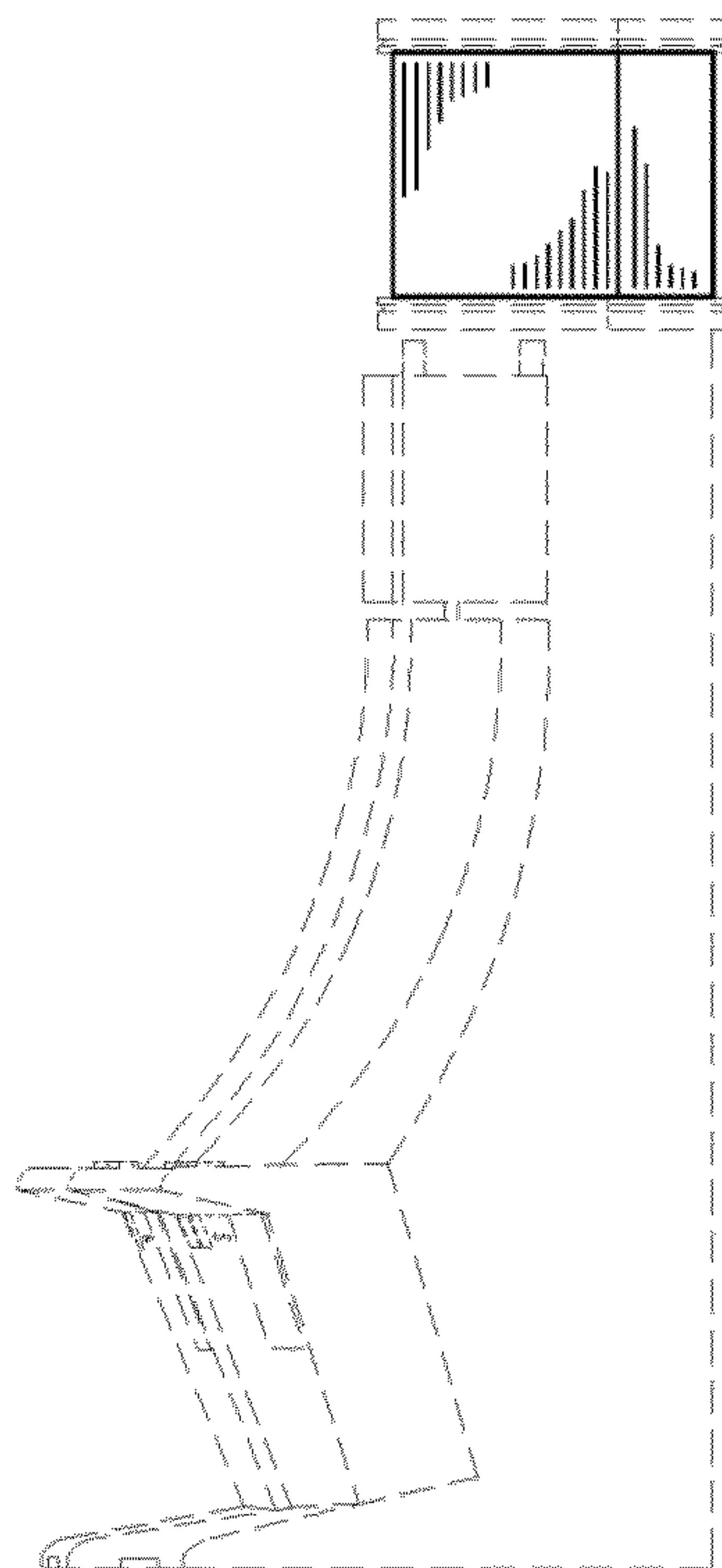


FIG. 12