



US00D907128S

(12) **United States Design Patent** (10) **Patent No.:** **US D907,128 S**
Leclerc (45) **Date of Patent:** **** Jan. 5, 2021**

(54) **CARD TRAY**

(71) Applicant: **Marc Leclerc**, Quebec (CA)

(72) Inventor: **Marc Leclerc**, Quebec (CA)

(**) Term: **15 Years**

(21) Appl. No.: **29/700,147**

(22) Filed: **Jul. 31, 2019**

(51) **LOC (13) Cl.** **21-01**

(52) **U.S. Cl.**
USPC **D21/392**

(58) **Field of Classification Search**
USPC D7/631, 632; D19/91, 92; D21/392-395
CPC A63F 1/06; A63F 1/10
See application file for complete search history.

(56) **References Cited**

U.S. PATENT DOCUMENTS

D132,137 S *	4/1942	Holstein	D21/392
D132,138 S *	4/1942	Holstein	D21/392
D166,696 S *	5/1952	Noelting	D21/392
D167,314 S *	7/1952	La Jeunesse	D21/392
D197,436 S *	2/1964	Bromley	D7/590
D395,061 S *	6/1998	Shoptaugh	D21/392
D546,400 S *	7/2007	Ray	D19/92
D598,503 S *	8/2009	Fedrigo	D21/392
D711,970 S *	8/2014	Bennett	A63F 1/10 D21/392
2008/0185780 A1 *	8/2008	Jordan	A63F 1/10 273/148 A
2015/0251079 A1 *	9/2015	Wright	A63F 1/10 273/148 A

OTHER PUBLICATIONS

International, Kardwell. "Card Tray: Plastic, Clear." Card Tray: Plastic, Clear—Kardwell.com, www.kardwell.com/page/KII/PROD/PC-TRAYS/PCA-TRA1-00. pp. 1-4.

"Card Trays Standard/Swivel." Welcome To Our Online Store!, www.kem.com/cards/pc-trays.html. pp. 1-2.

"Nine Deck Clear Revolving Card Tray." Nine Deck Clear Revolving Card Tray, Unclesgames.com | Games, Puzzles & More!, sandbox.unclesgames.com/product_info.php/products_id/12686. pp. 1-3.

"Revolving Playing Card Tray :: Makes Drawing Cards Easier." The Wright Stuff, Inc. | ArthritisSupplies.com, www.arthritisupplies.com/revolving-playing-card-tray.html. pp. 1-9.

* cited by examiner

Primary Examiner — George D. Kirschbaum

Assistant Examiner — Joseph J Kukella

(74) *Attorney, Agent, or Firm* — Fish IP Law, LLP

(57) **CLAIM**

The ornamental design for card tray, as shown.

DESCRIPTION

FIG. 1 is a top, front, left-side perspective view of a card tray.

FIG. 2 is a left-side elevation view of the card tray of FIG. 1.

FIG. 3 is a right-side elevation view of the card tray of FIG. 1.

FIG. 4 is a front elevation view of the card tray of FIG. 1.

FIG. 5 is a rear elevation view of the card tray of FIG. 1.

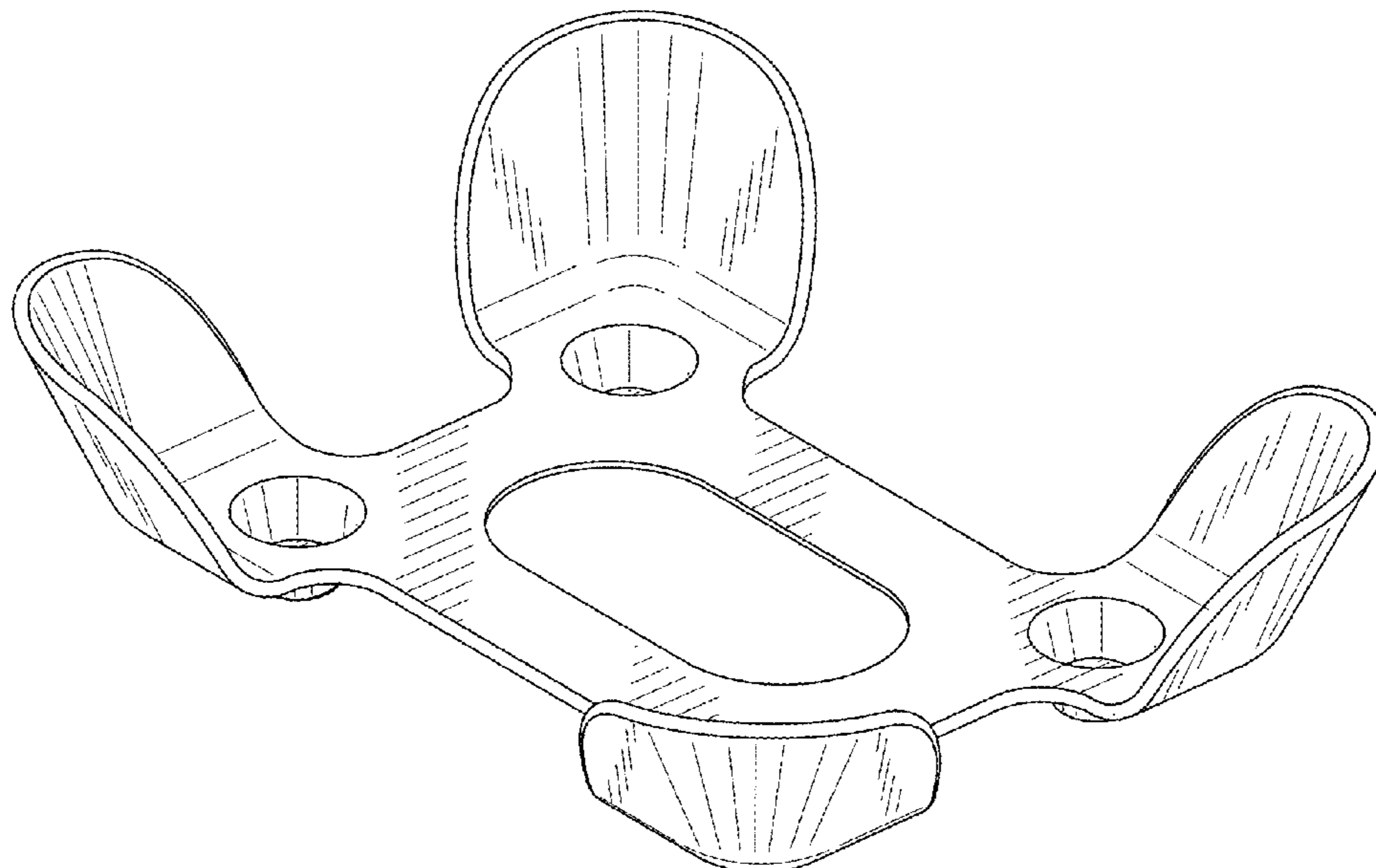
FIG. 6 is a top plan view of the card tray of FIG. 1.

FIG. 7 is a bottom plan view of the card tray of FIG. 1.

FIG. 8 is a bottom, front, left-side perspective view of the card tray of FIG. 1; and,

FIG. 9 is a top, front, left-side perspective view of the card tray of FIG. 1. The broken line showing of playing cards in FIG. 9 is included for the purpose of illustrating environmental subject matter only and forms no part of the claimed design.

1 Claim, 6 Drawing Sheets



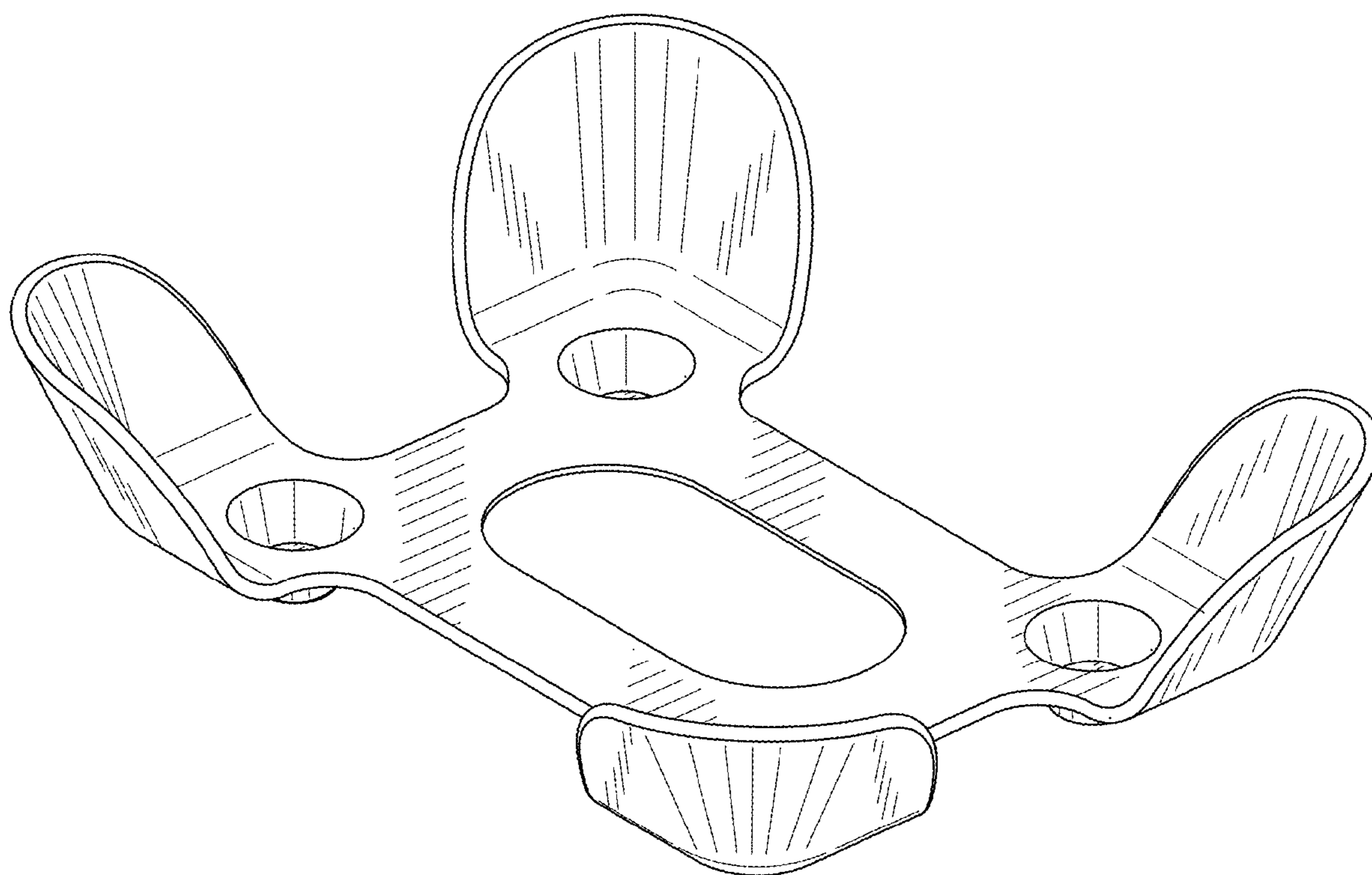


FIG. 1

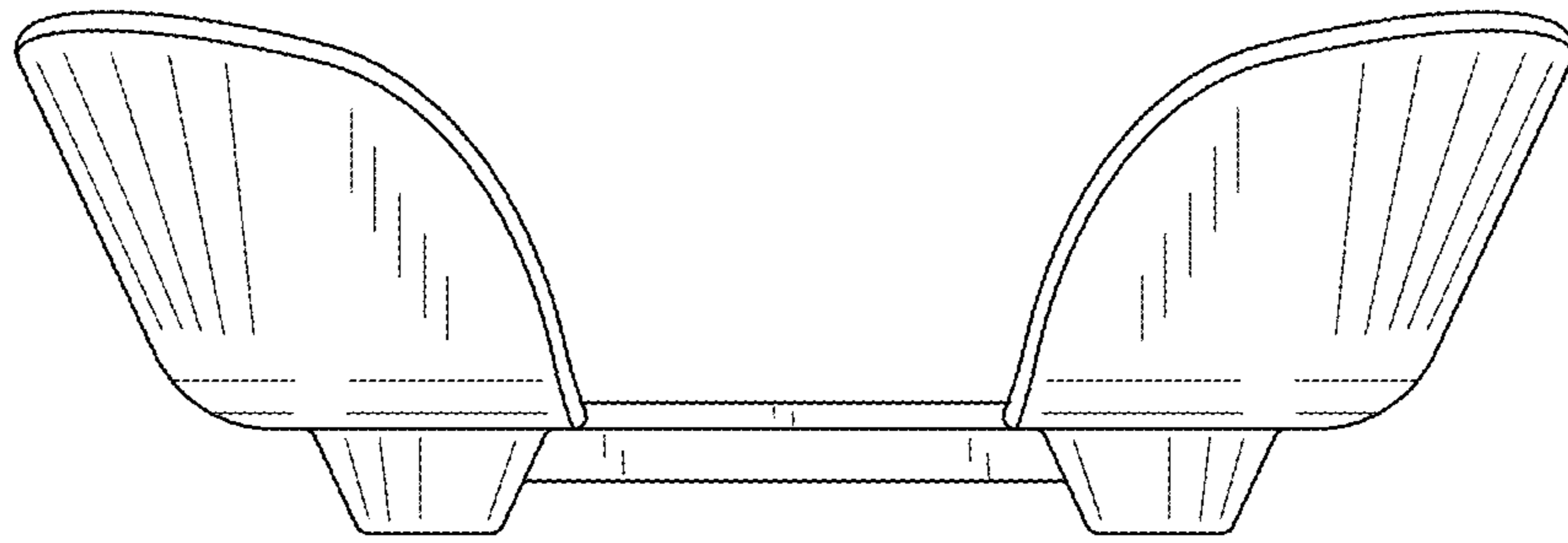


FIG. 2

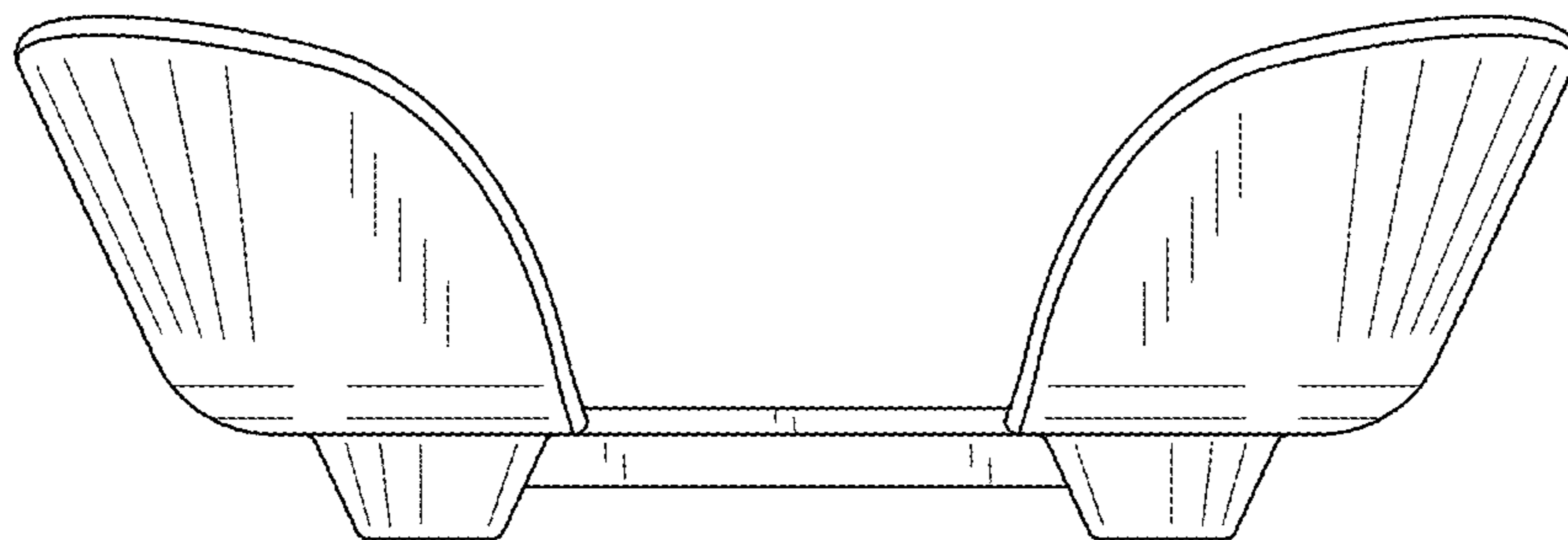


FIG. 3

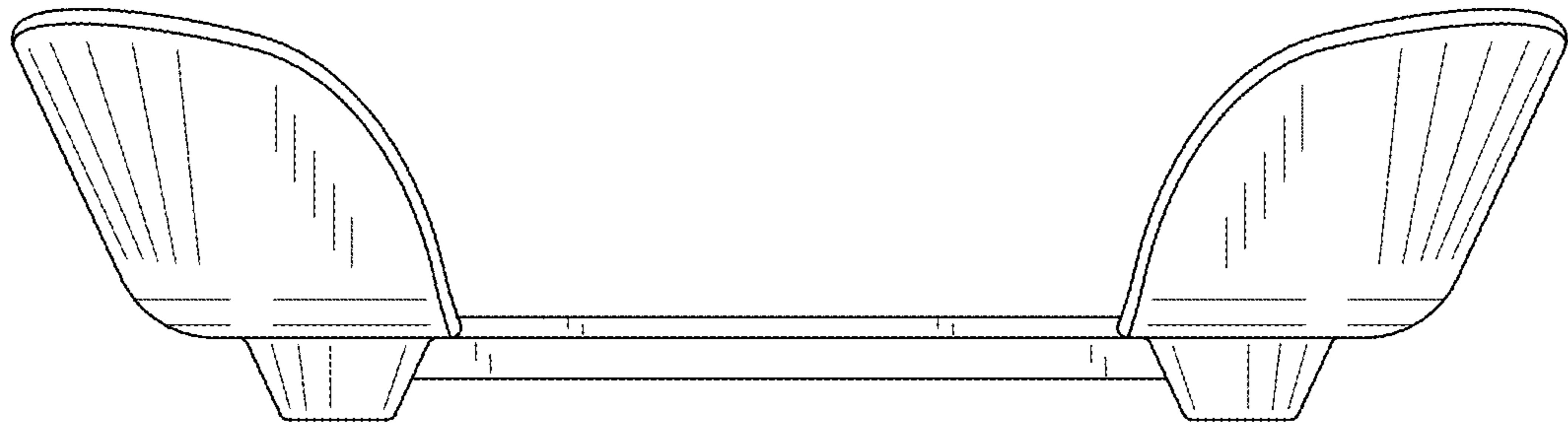


FIG. 4

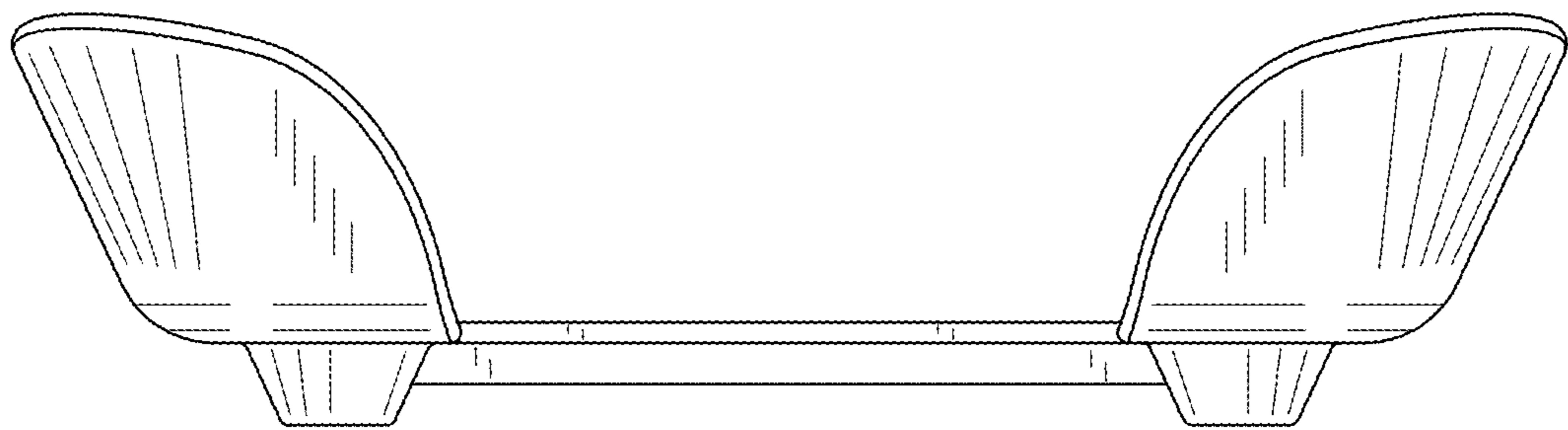


FIG. 5

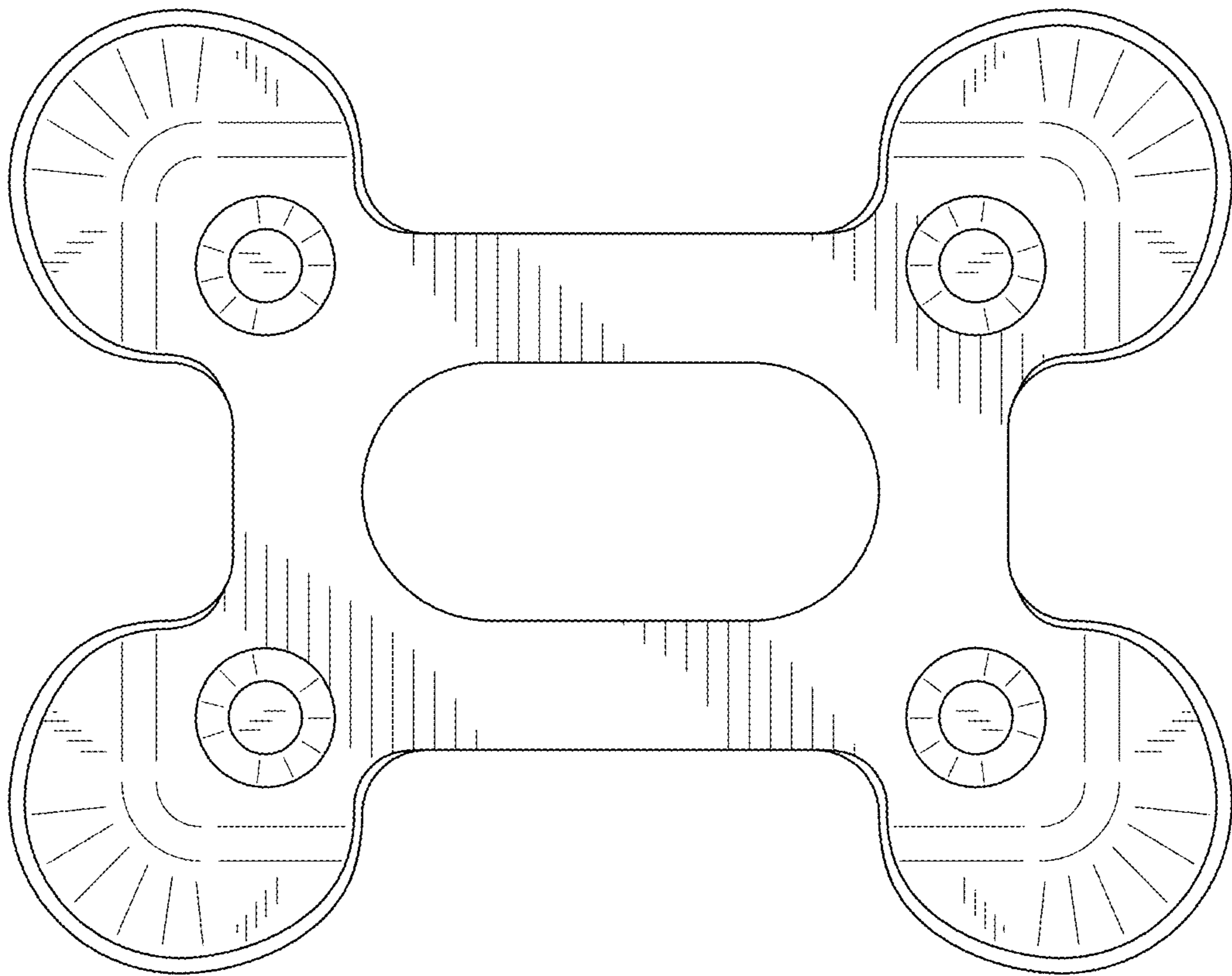


FIG. 6

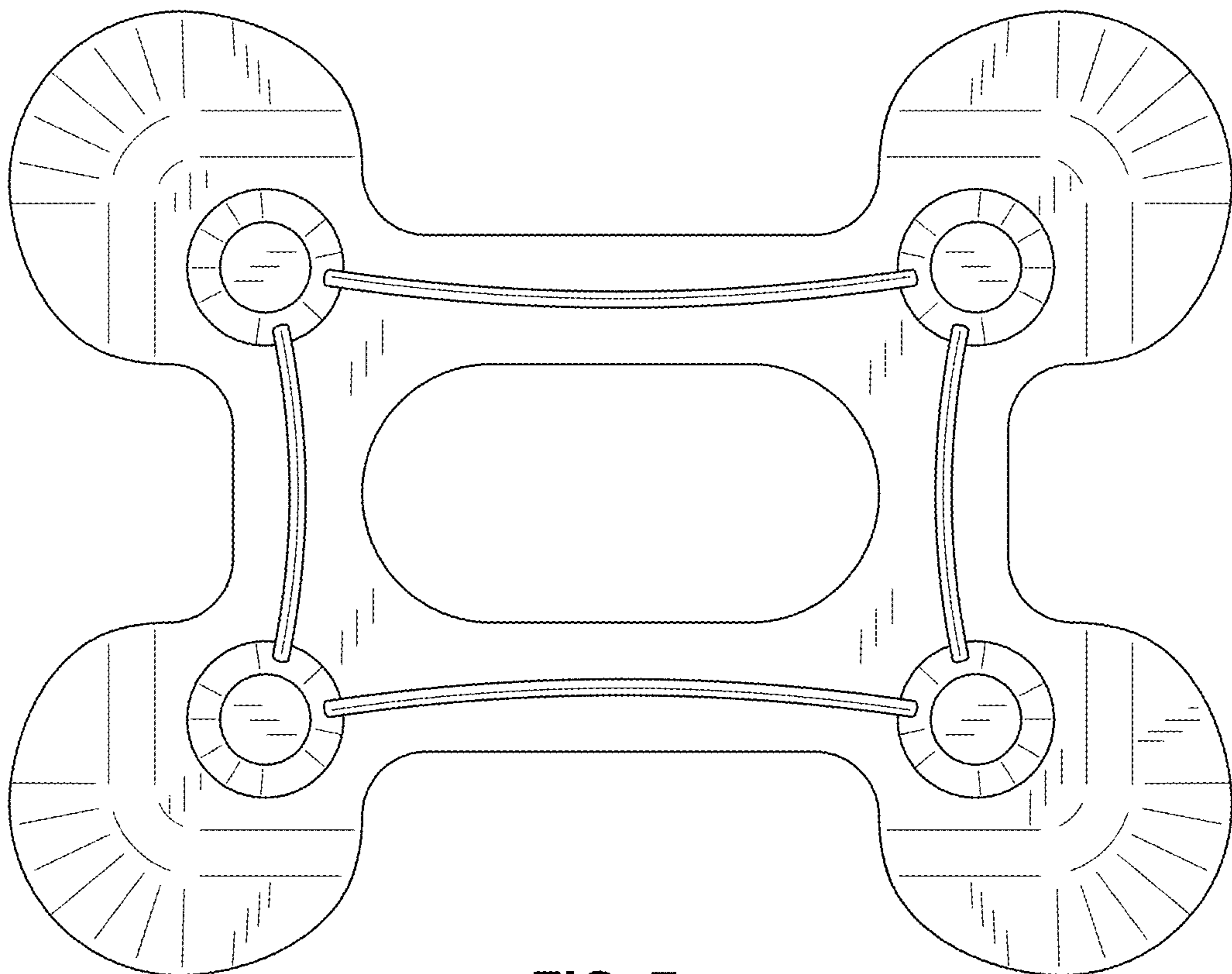


FIG. 7

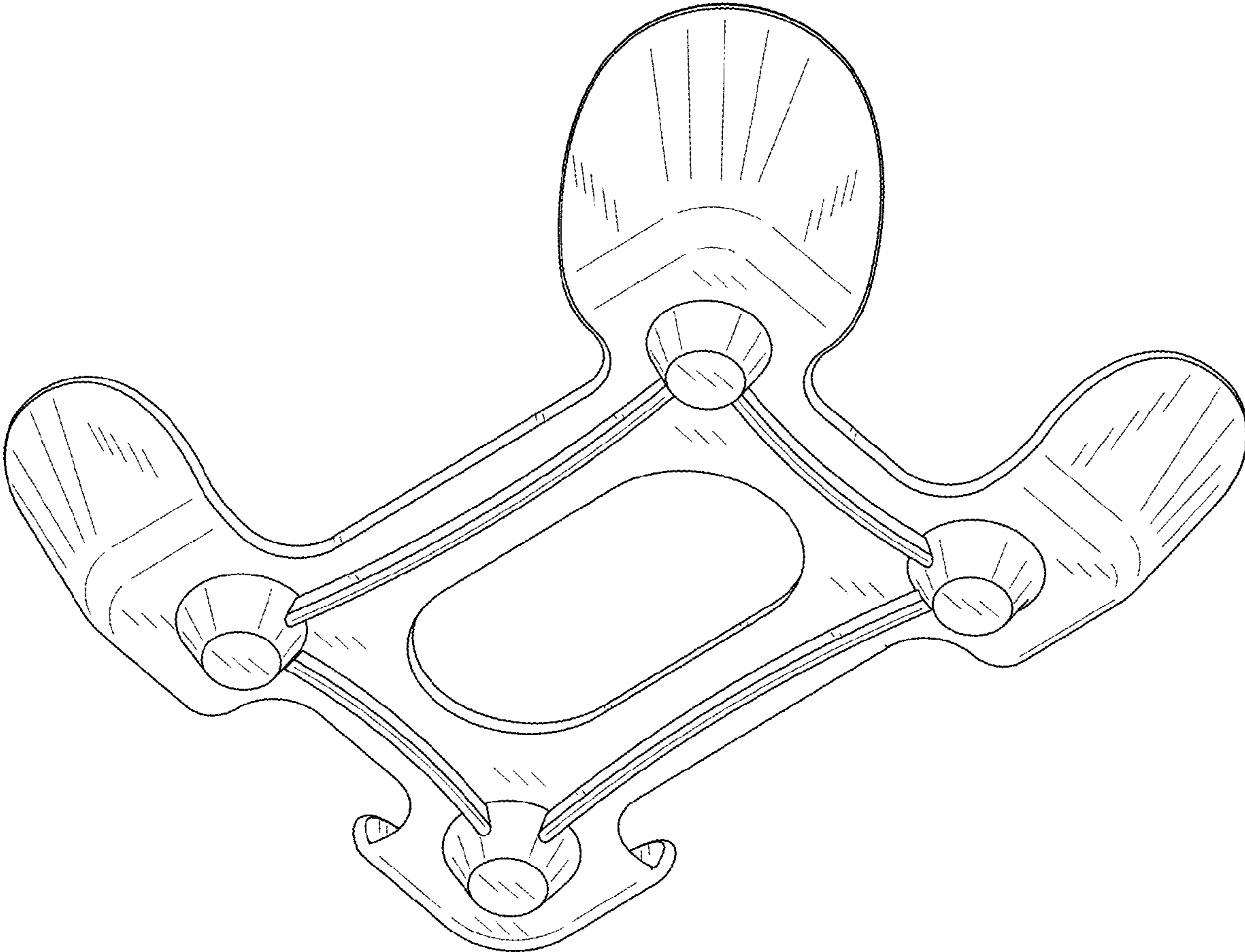


FIG. 8

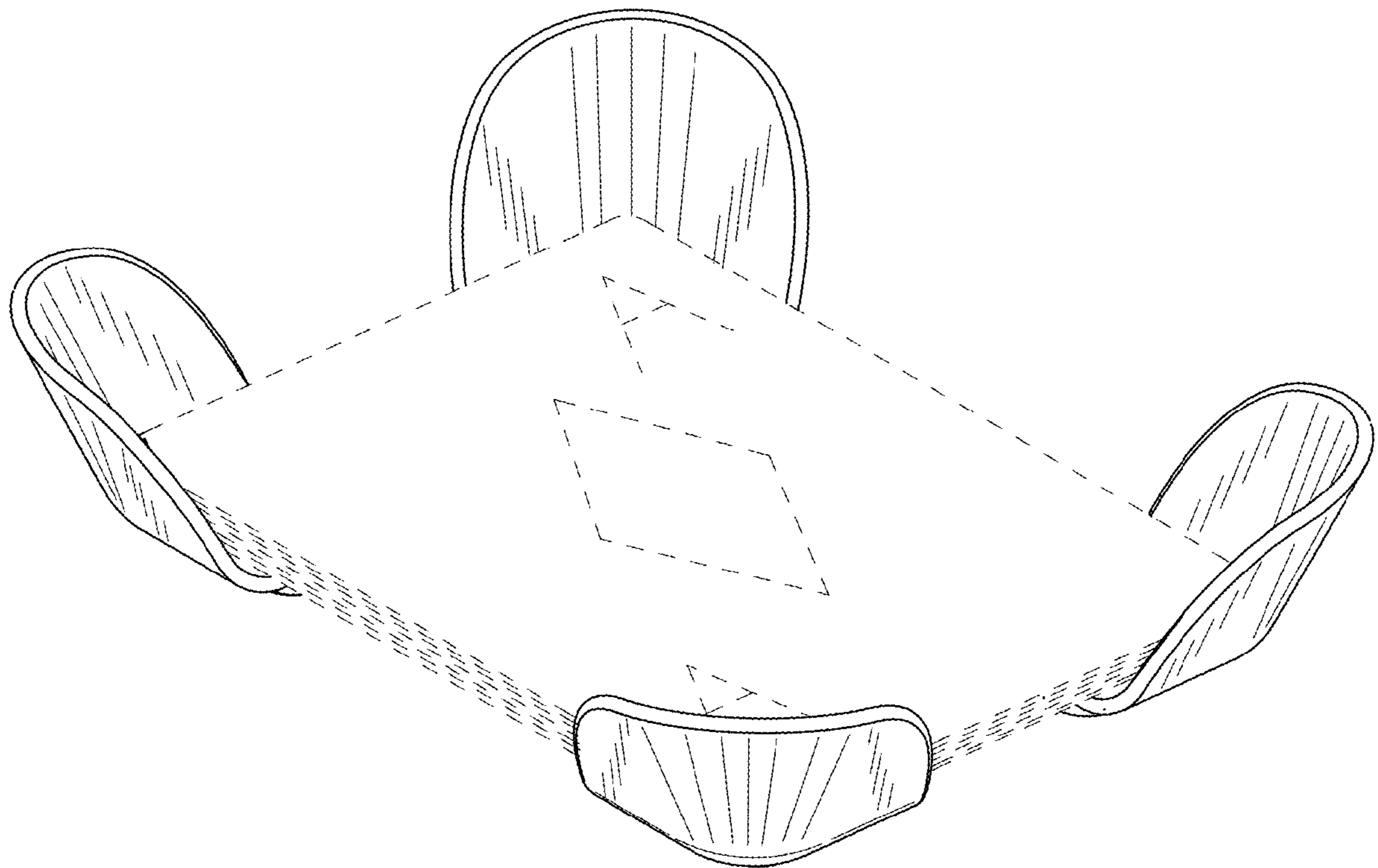


FIG. 9