



US00D907127S

(12) **United States Design Patent**
Olive et al.

(10) **Patent No.:** **US D907,127 S**

(45) **Date of Patent:** **** *Jan. 5, 2021**

(54) **GAMING MACHINE TOPPER**

(71) Applicant: **Aristocrat Technologies Australia Pty Limited**, North Ryde (AU)

(72) Inventors: **Scott Olive**, Narrabeen (AU); **John Curtis**, Gold Coast (AU); **Thomas Frawley**, Gold Coast (AU)

(73) Assignee: **Aristocrat Technologies Australia Pty Limited**, North Ryde (AU)

(*) Notice: This patent is subject to a terminal disclaimer.

(**) Term: **15 Years**

(21) Appl. No.: **29/613,154**

(22) Filed: **Aug. 8, 2017**

(51) **LOC (13) Cl.** **21-01**

(52) **U.S. Cl.**
USPC **D21/385**

(58) **Field of Classification Search**

USPC D6/672, 675, 681; D14/496, 125–129, D14/133, 217, 239; D21/324, 325, 329, D21/330–333, 385; D26/118–122
CPC G06F 1/1601; G06F 1/1603; G06F 1/1505; G06F 1/1647; G06F 1/1652
See application file for complete search history.

(56) **References Cited**

U.S. PATENT DOCUMENTS

D355,676 S	2/1995	Wilson	
D392,689 S	3/1998	Muraki et al.	
D396,888 S	8/1998	Hayashi	
D396,898 S	8/1998	Tsuda	
D413,936 S	9/1999	Uehara	
D450,096 S *	11/2001	Legras	D21/325
D510,959 S	10/2005	Morrison	
D519,574 S *	4/2006	Myers	D21/369
D596,678 S *	7/2009	Myers	D21/370

(Continued)

OTHER PUBLICATIONS

Australian Design Examination Report No. 1 for Application No. 201812639, dated Aug. 28, 2018, 2 pages.

(Continued)

Primary Examiner — George D. Kirschbaum

Assistant Examiner — Joseph J Kukella

(74) *Attorney, Agent, or Firm* — Armstrong Teasdale LLP

(57) **CLAIM**

We claim the ornamental design for a gaming machine topper, as shown and described.

DESCRIPTION

FIG. 1 is a perspective view of an exemplary bank of gaming machines including an exemplary gaming machine topper in accordance with the new design.

FIG. 2 is a front side view thereof.

FIG. 3 is a rear view thereof.

FIG. 4 is a left view thereof.

FIG. 5 is a right view thereof.

FIG. 6 is a top view thereof.

FIG. 7 is a bottom view thereof.

FIG. 8 is a perspective view of an alternative bank of gaming machines including an exemplary gaming machine topper in accordance with the new design.

FIG. 9 is a front side view thereof.

FIG. 10 is a rear view thereof.

FIG. 11 is a left view thereof.

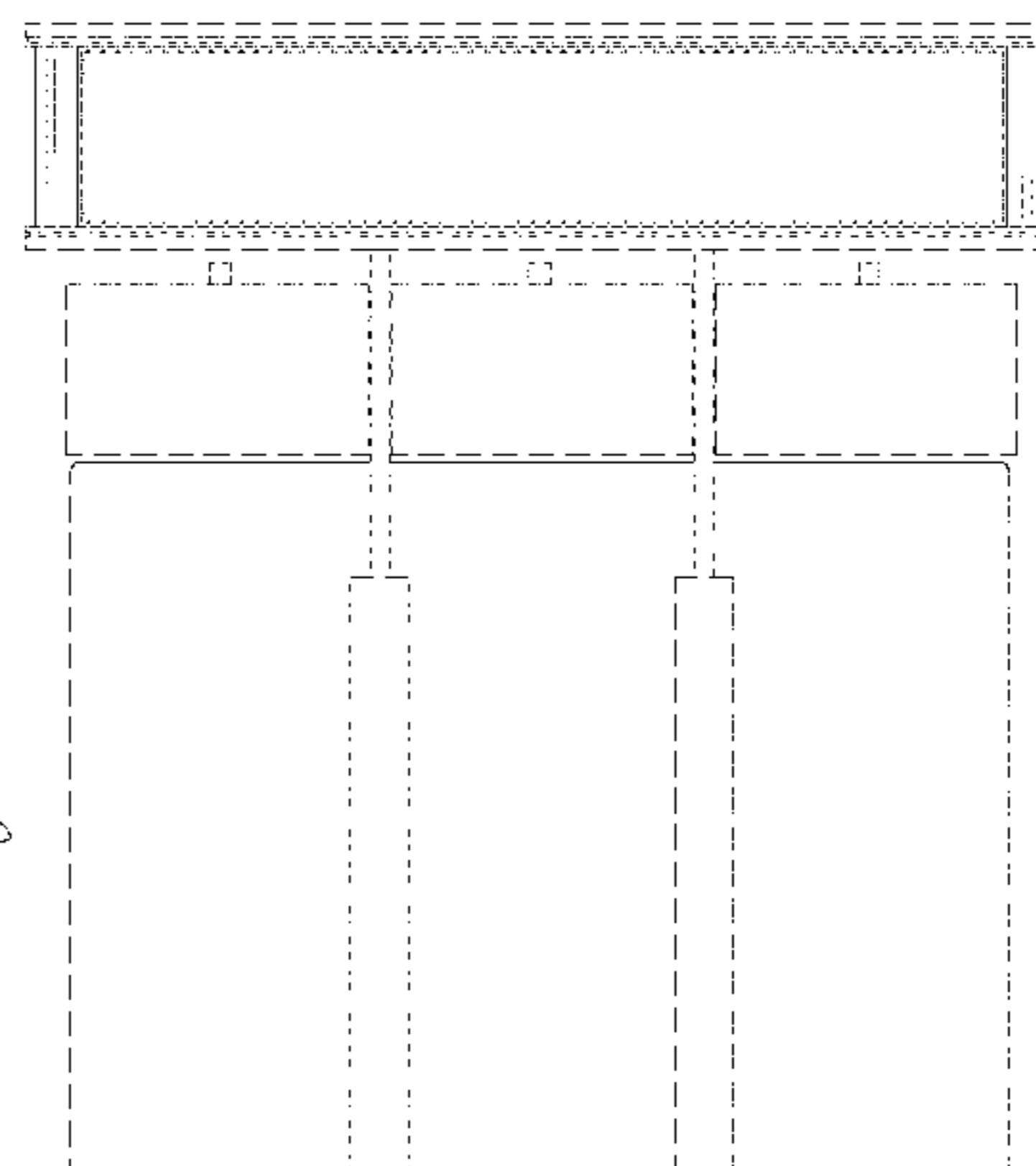
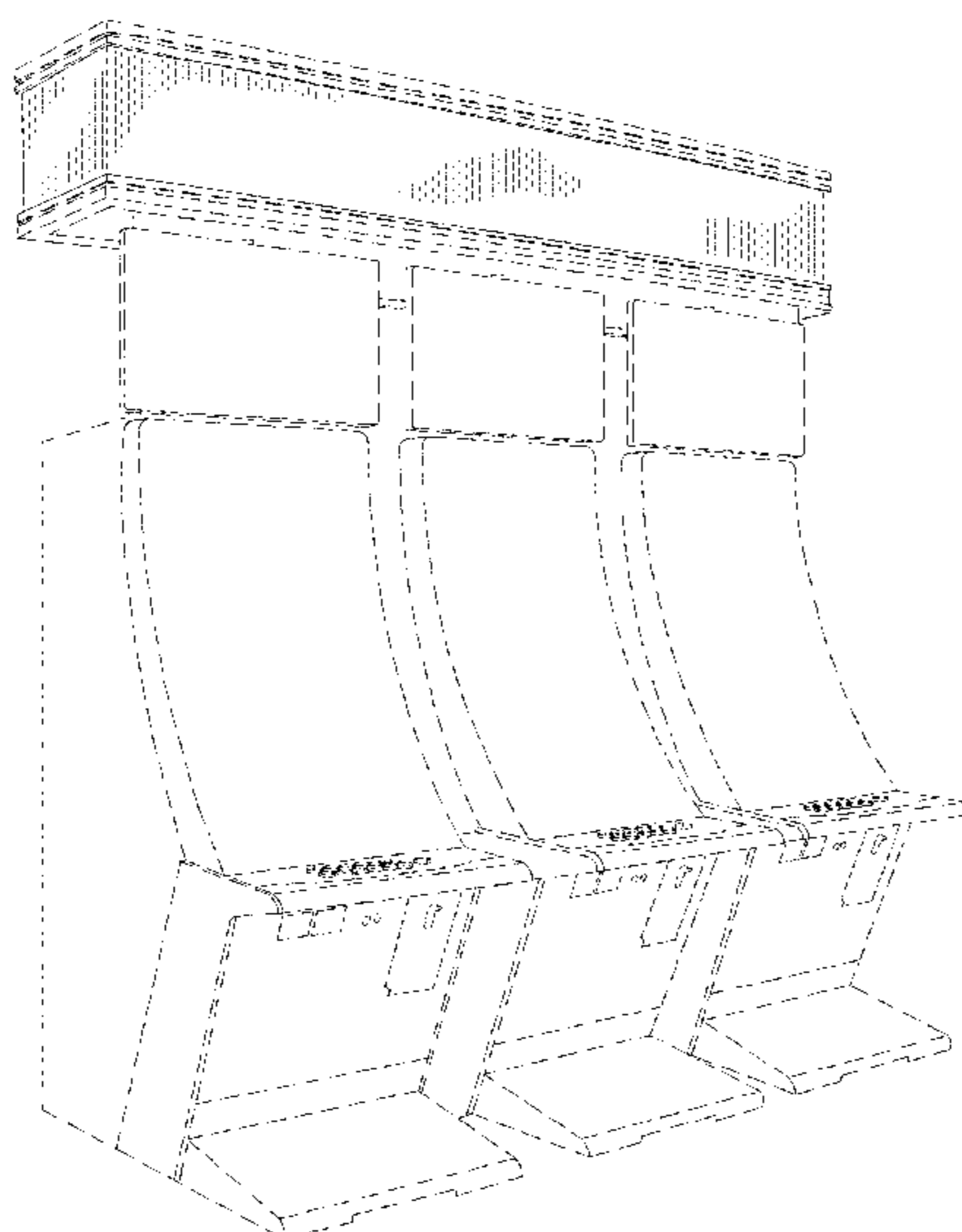
FIG. 12 is a right view thereof.

FIG. 13 is a top view thereof; and,

FIG. 14 is bottom view thereof.

The ornamental design which is claimed is shown in solid lines in the drawings. In the drawings, the broken lines depict portions of the article that form no part of the claimed design. The dash-dot-dash lines in FIGS. 3 and 10 indicate boundaries of the claimed design, and form no part thereof.

1 Claim, 14 Drawing Sheets



(56)

References Cited

U.S. PATENT DOCUMENTS

D617,388 S	6/2010	Wildner	
D617,389 S	6/2010	Wildner	
D646,336 S	10/2011	Kelly	
D695,706 S	12/2013	Garneau	
D706,741 S	6/2014	Myers	
D719,617 S *	12/2014	Inoue	D21/369
D733,088 S	6/2015	Garneau	
D762,613 S	8/2016	Garneau	
D787,605 S	5/2017	Bushnell	
D792,520 S	7/2017	Hohman	
D835,196 S	12/2018	Zelinka	
D880,604 S *	4/2020	Olive	D21/369

OTHER PUBLICATIONS

Google: Gaming machine' which was published on the website <http://spinning2win.blogspot.com/2016/09/> on Sep. 20, 2016. 1 page.

Twitter: Aristocrat slots' which was published on the website https://twitter.com/aristocratslots/status/852587967164039169/photo/1?ref_src=twsrc%5Etfw%7Ctwcamp%5Etweetembed%7Ctwterm%5E852587967164039169&ref_url=http%3A%2F%2Fwww.freearistocratpokies.com%2Fdra... on Apr. 13, 2017. 2 pages.

Twitter: Aristocrat gaming cabinet <https://twitter.com/search?f=images&q=Aristocrat%20gaming%20cabinets%20&src=typd> Jul. 6, 2017. 2 pages.

Twitter: Aristocrat Gaming' which was published on the website <https://twitter.com/aristocratslots> on Apr. 12, 2017.

YouTube: Dragon Link' which was published on the website https://www.youtube.com/watch?v=Hdn_I5w3a0Y on Apr. 5, 2017. 2 pages.
 Google: Dragon Link' which was published on the website <http://www.gamesbras.com/english-version/2017/3/30/aristocrats-slots-named-most-innovative-products-1711.html> on Mar. 30, 2017. 2 pages.

Australian Design Examination Report No. 1 for Application No. 201812640, dated Aug. 28, 2018, 2 pages.

Australian Design Examination Report No. 1 for Application No. 201812634, dated Aug. 28, 2018, 2 pages.

Google search—Fast Cash poker machines' which was published on the website <http://www.freearistocratpokies.com/dragon-link-fast-cash-pokies-named-casino-journals-top-20-innovative-gaming-technology-products-awards-2016/> on Apr. 28, 2017. 2 pages.

Google search—Aristocrat gaming' which was published on the website <http://www.gamesbras.com/english-version/2017/3/30/aristocrats-slots-named-most-innovative-products-1711.html> on Mar. 30, 2017. 1 page.

Australian Design Examination Report No. 1 for Application No. 201812637, dated Aug. 28, 2018, 6 pages.

Twitter search—Aristocrat gaming' which was published on the website <https://twitter.com/aristocratslots/status/852244558603624448> on Apr. 12, 2017. 1 page.

Twitter search—Aristocrat gaming' which was published on the website <https://twitter.com/MeskwakiCasino/status/817127325422718980> on Jan. 5, 2017. 1 page.

Notice of Allowance dated May 28, 2020 for U.S. Appl. No. 29/639,694 (pp. 1-8).

Office Action dated Jun. 29, 2020 for U.S. Appl. No. 29/613,149 (pp. 1-4).

* cited by examiner

FIG. 1

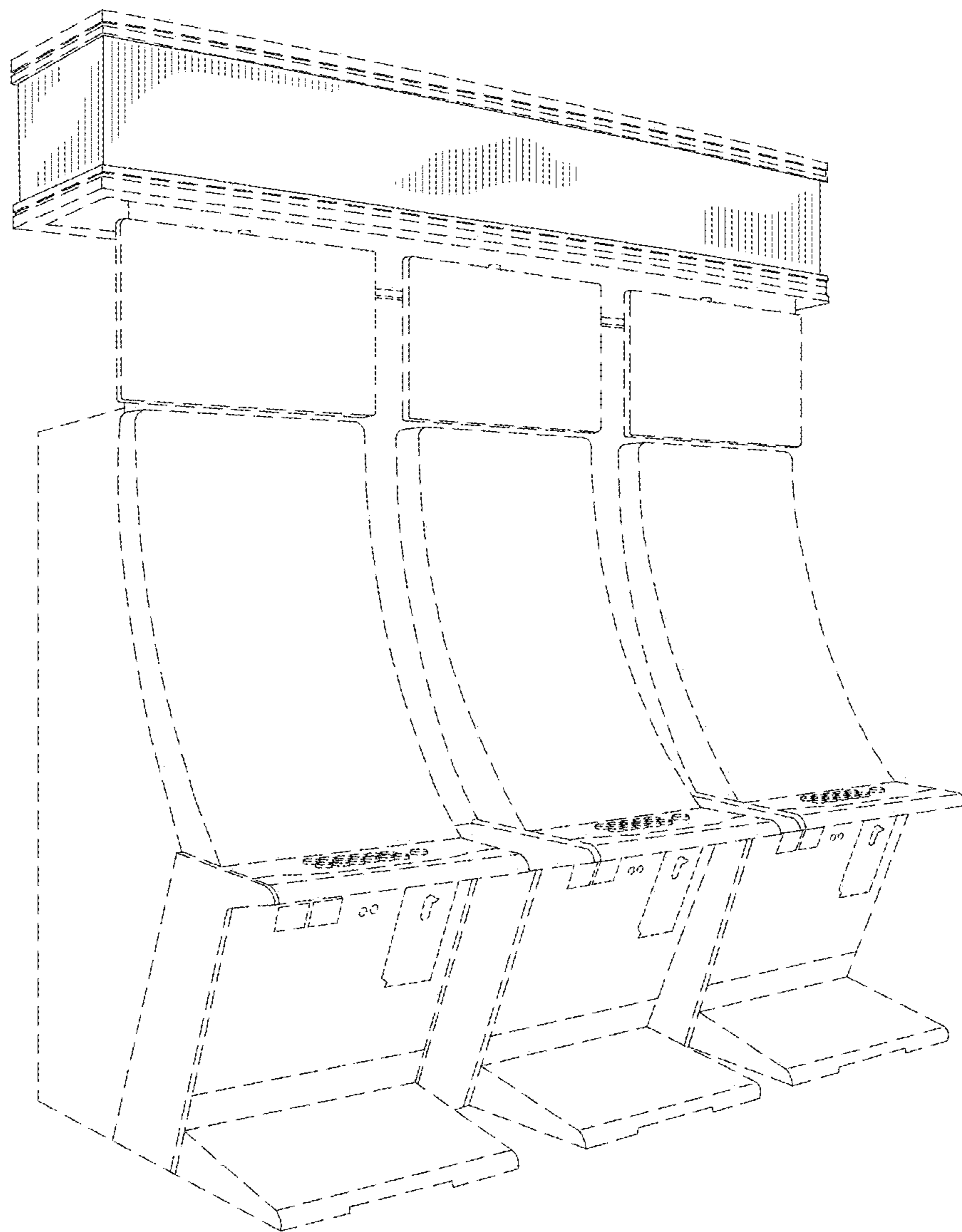


FIG. 2

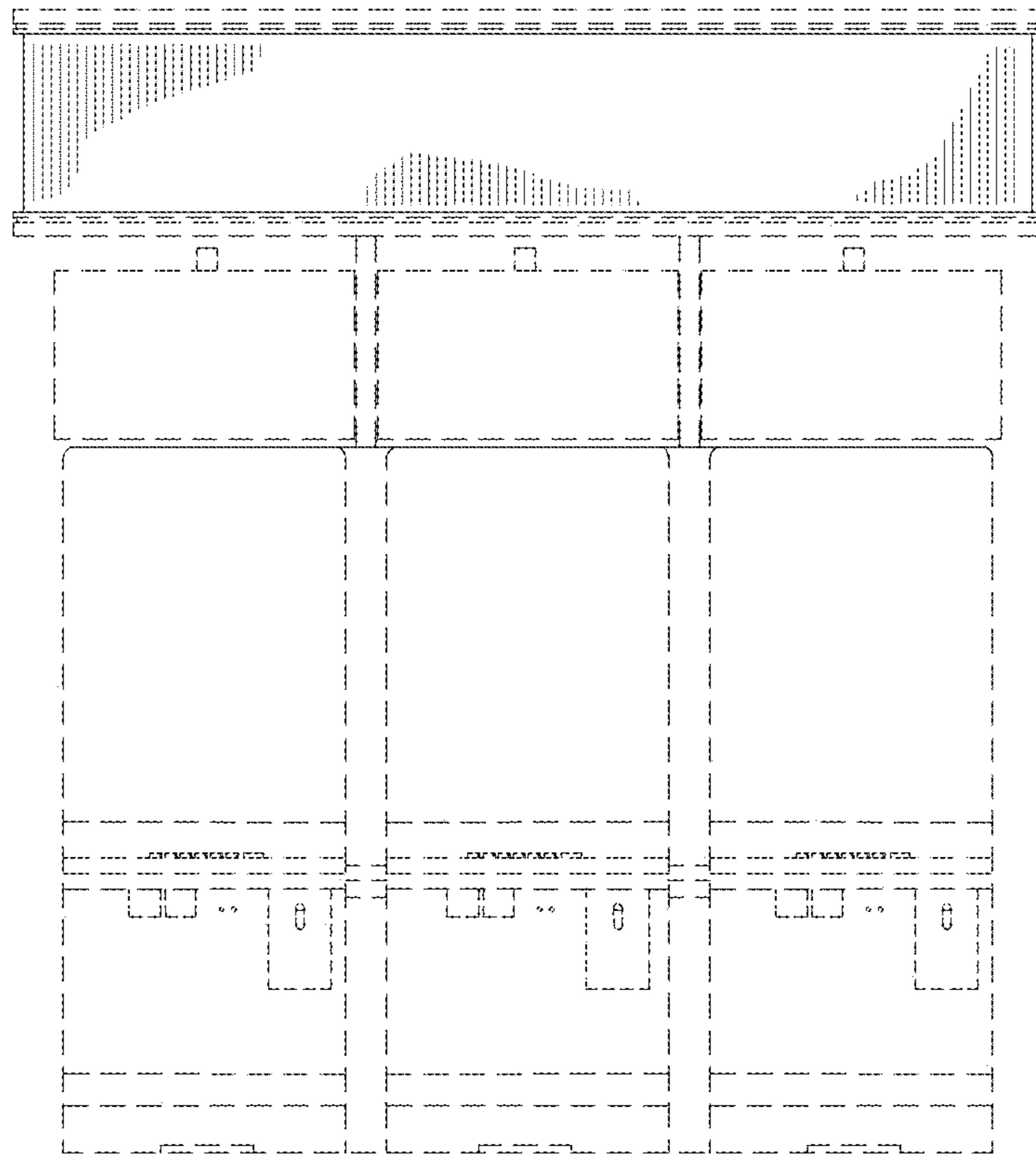


FIG. 3

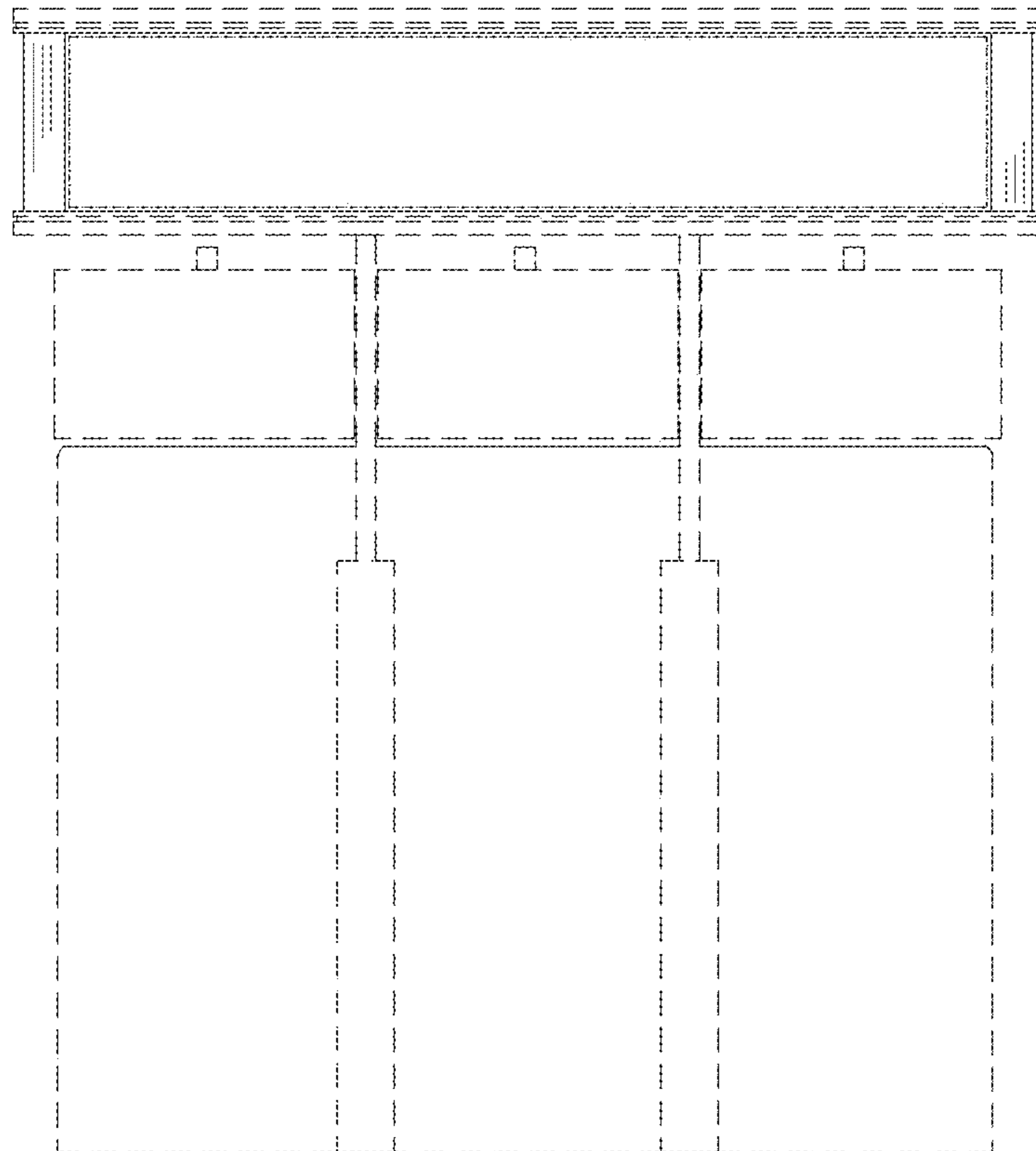


FIG. 4

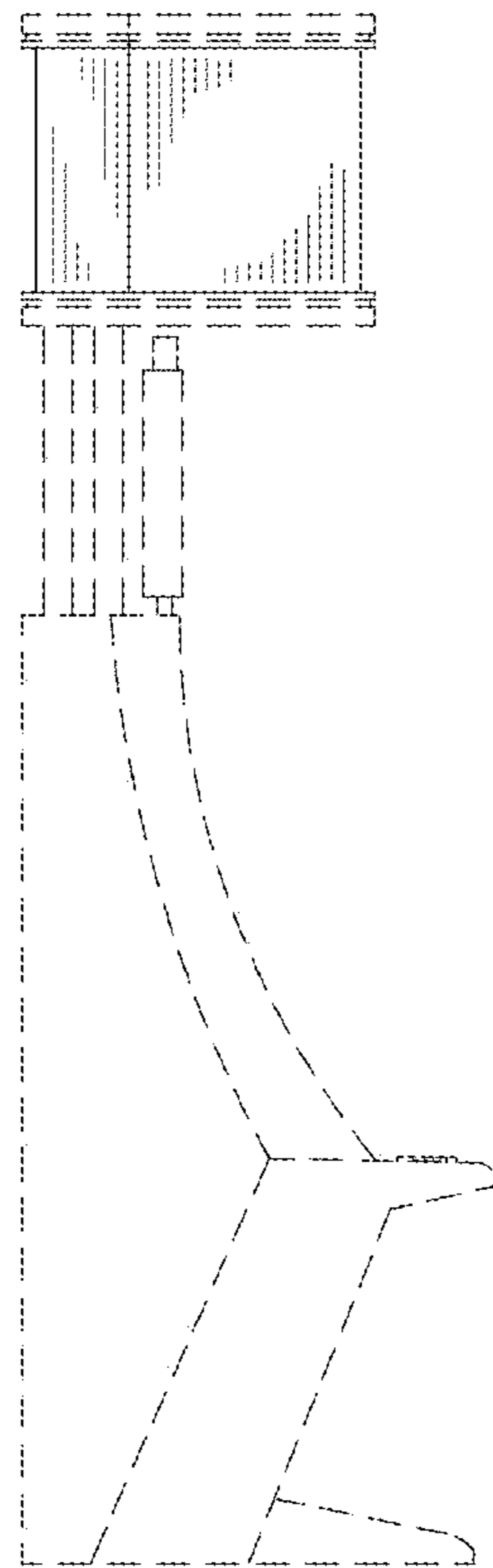


FIG. 5

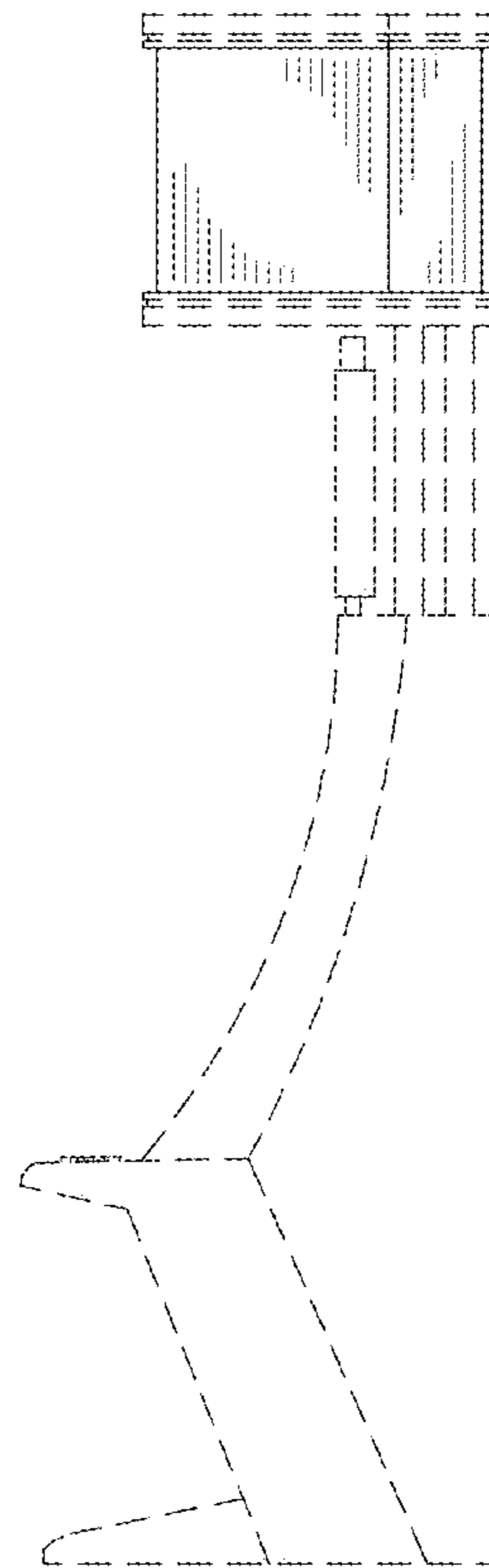


FIG. 6

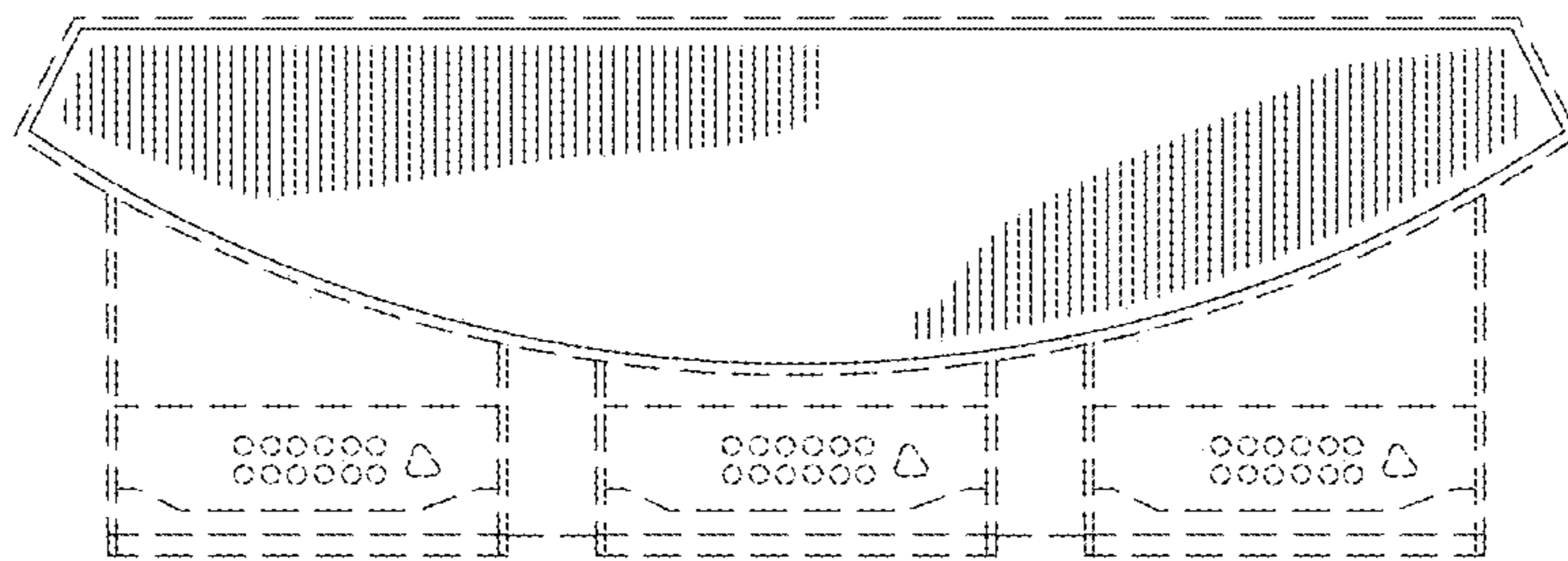


FIG. 7

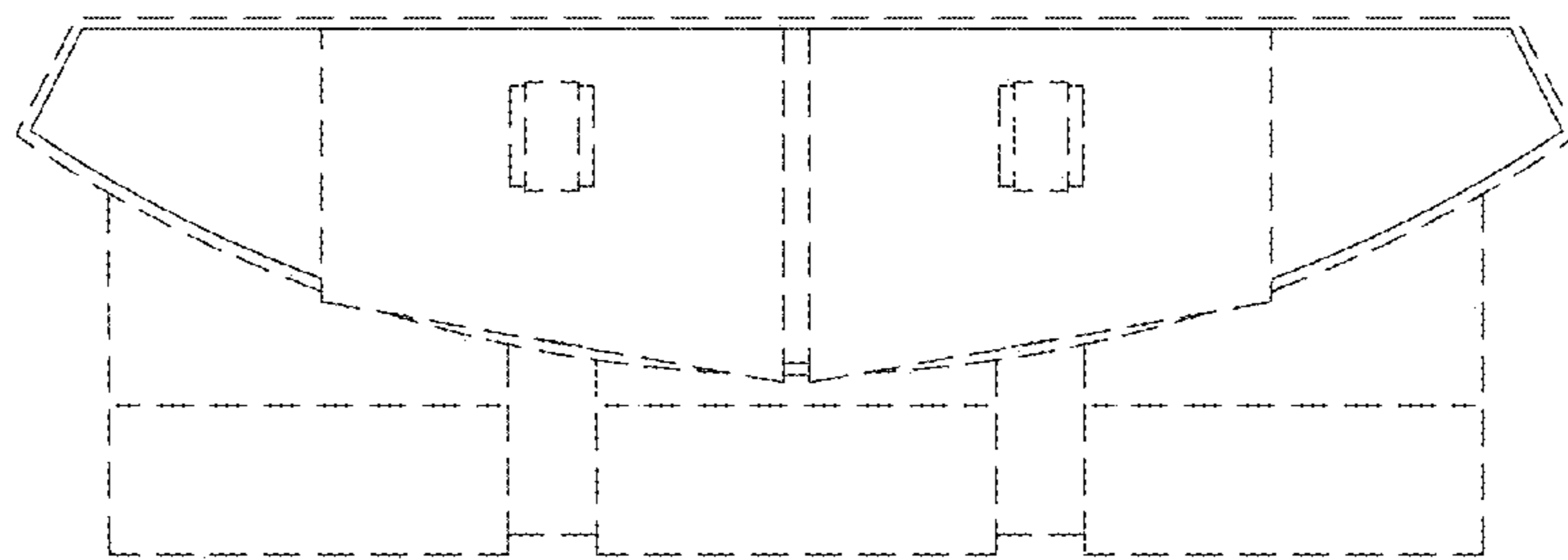


FIG. 8

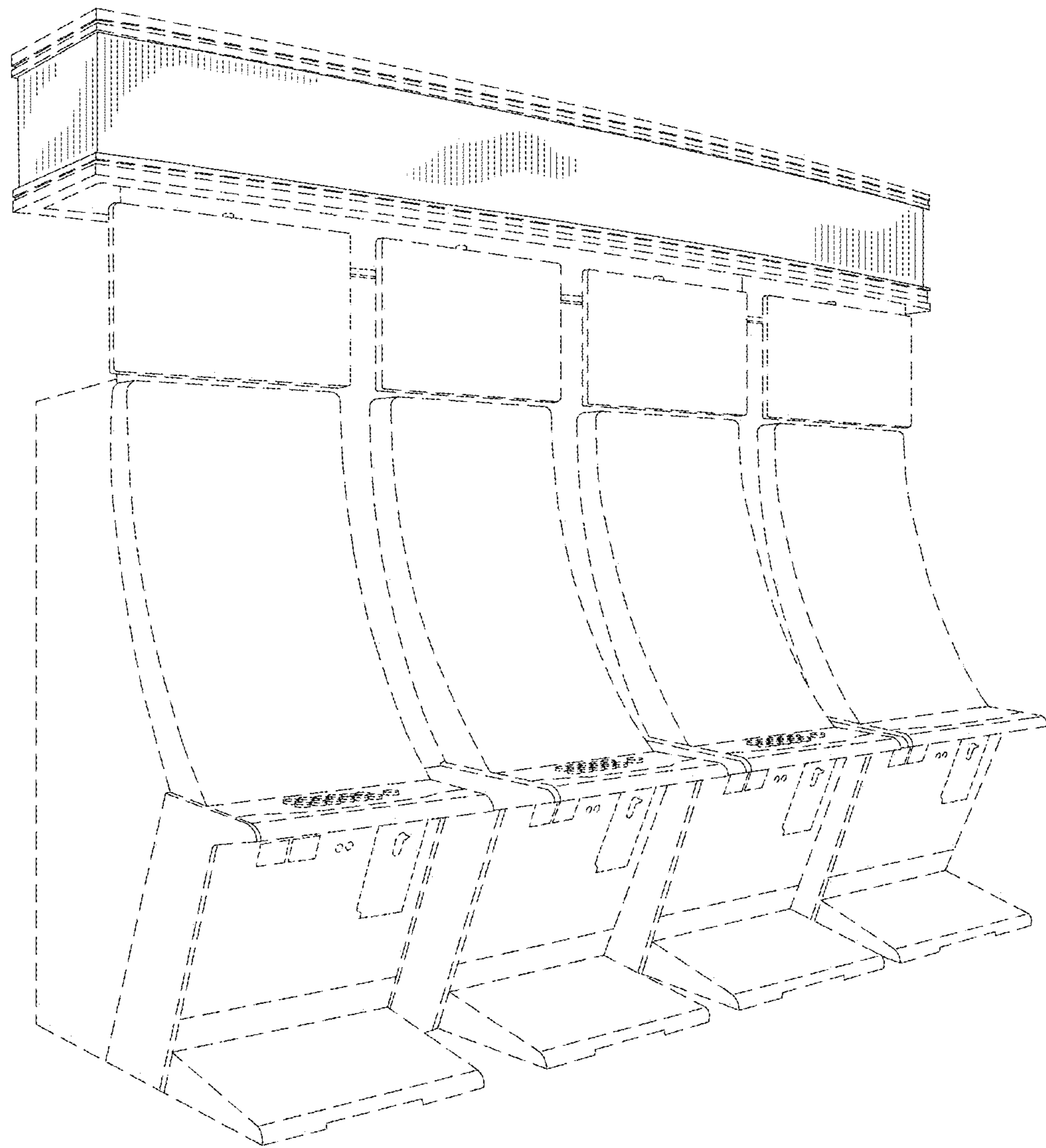


FIG. 9

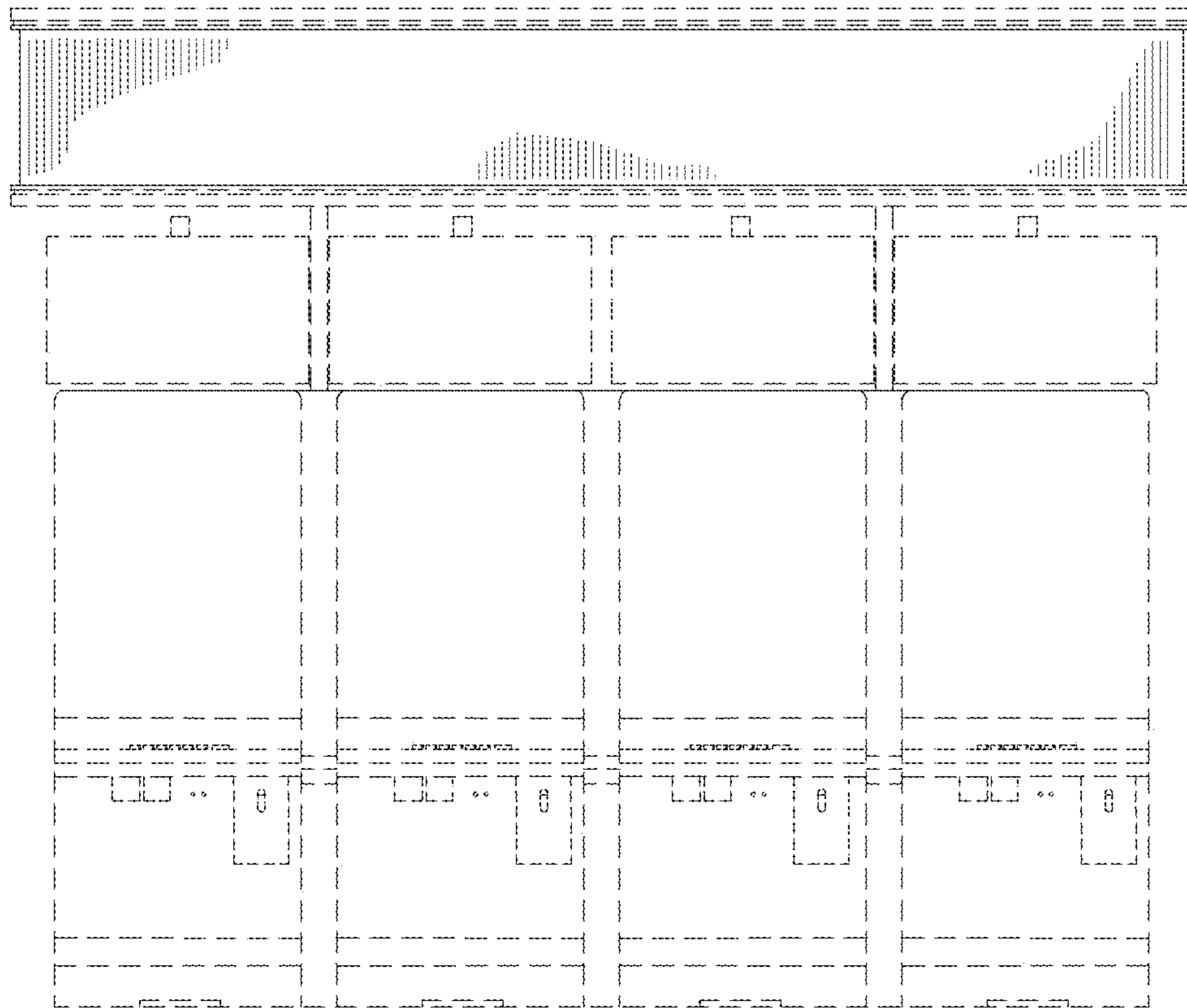


FIG. 10

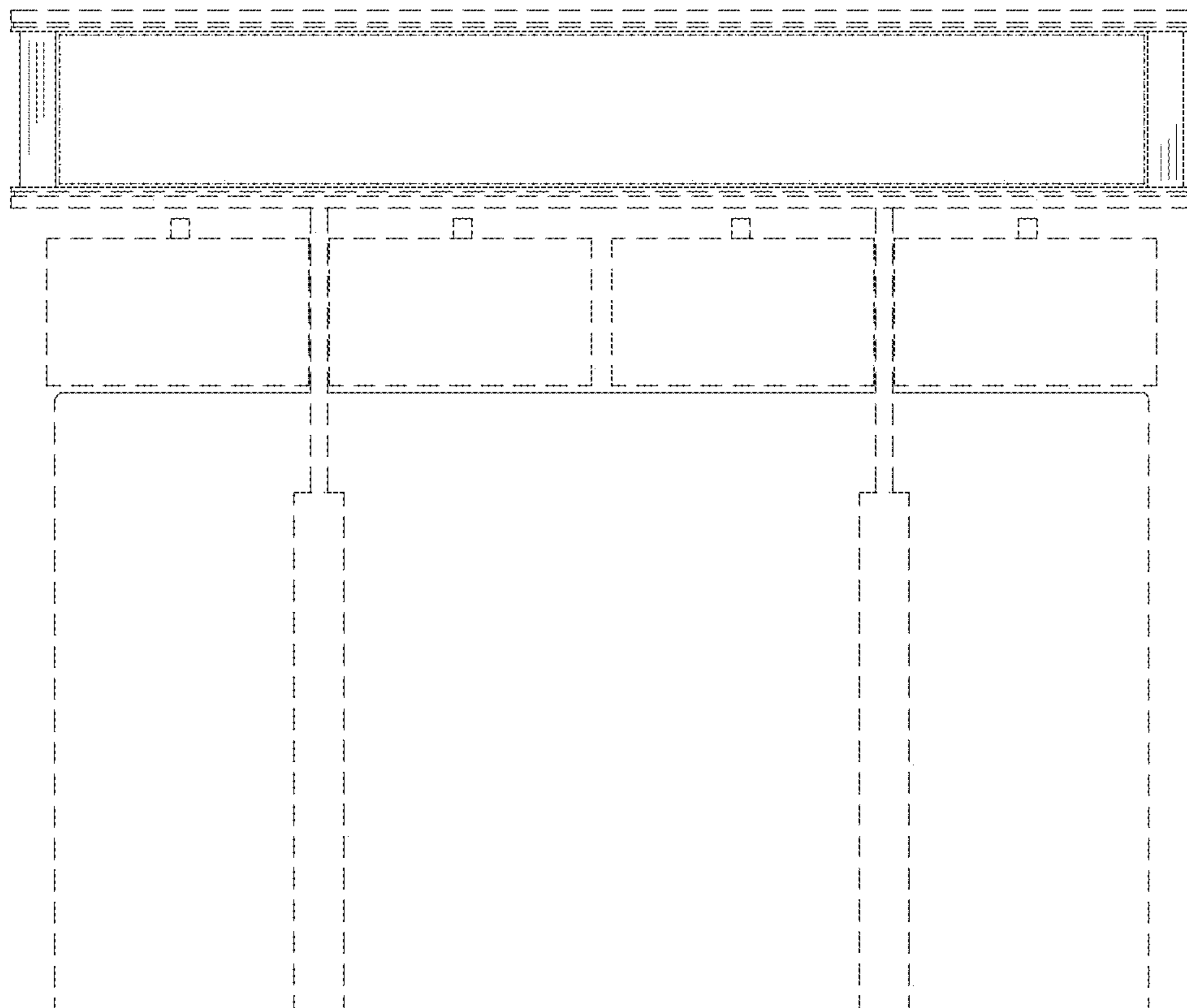


FIG. 11

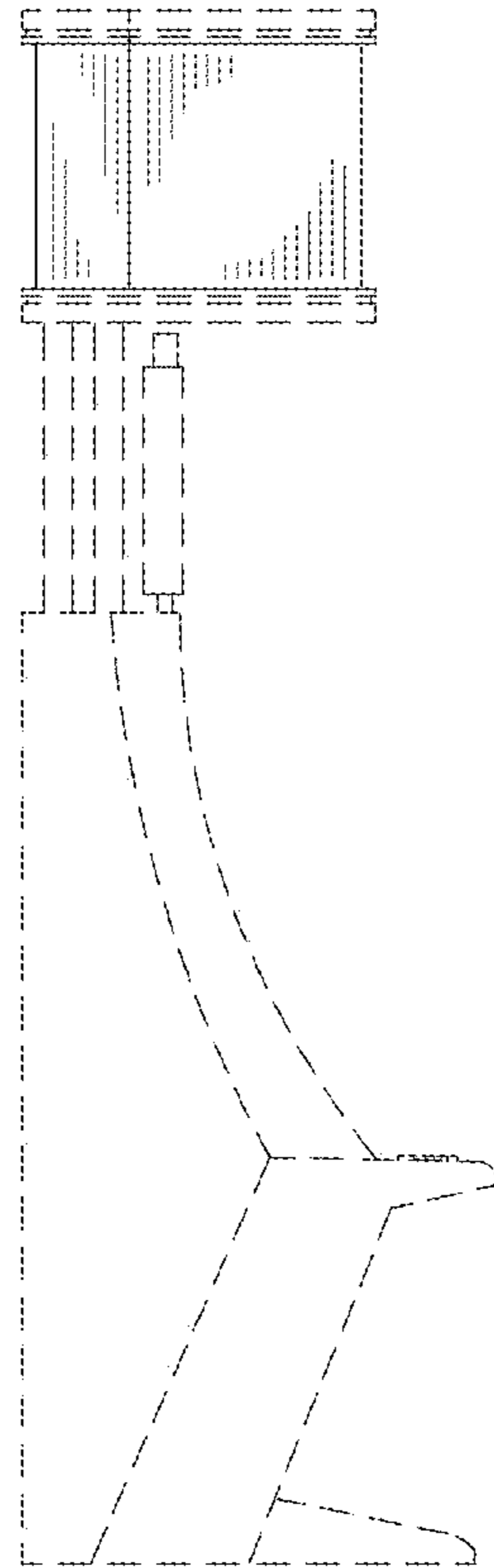


FIG. 12

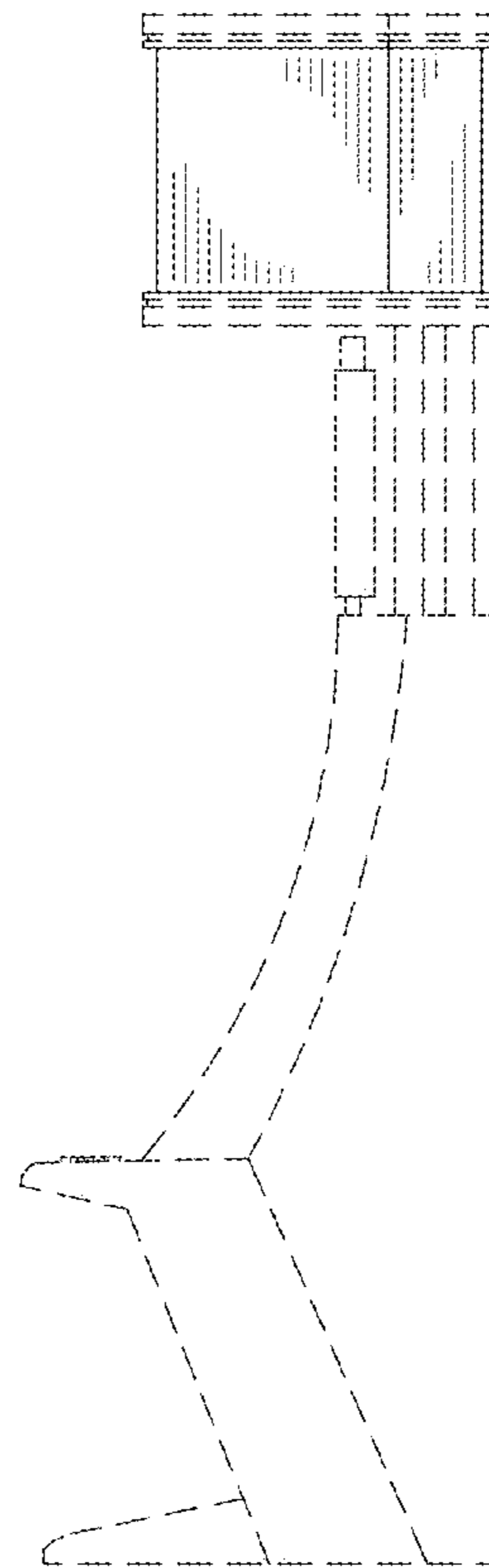


FIG. 13

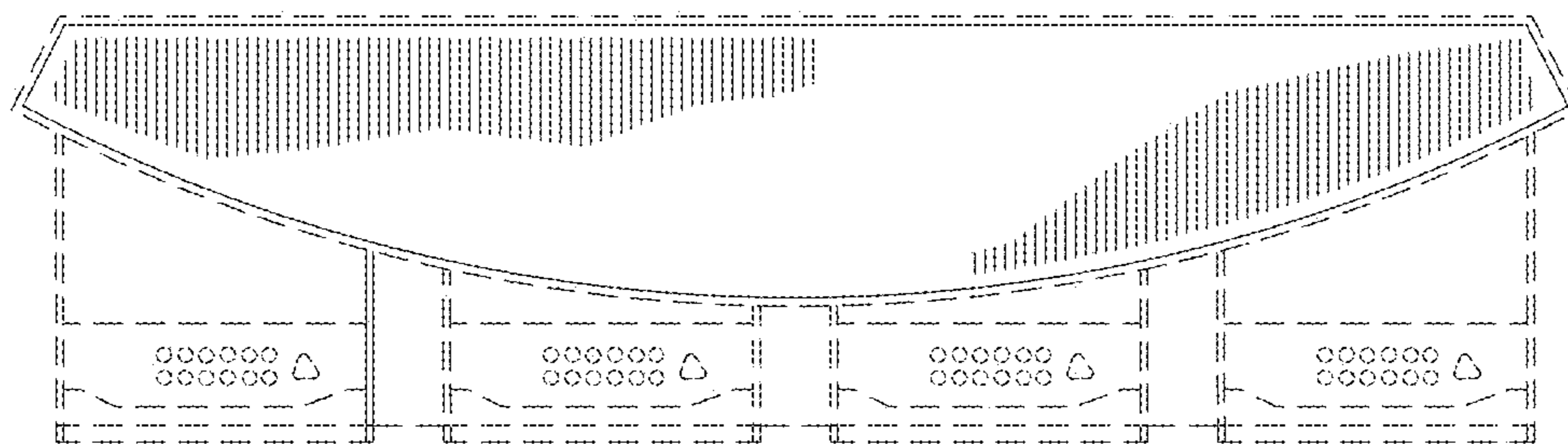
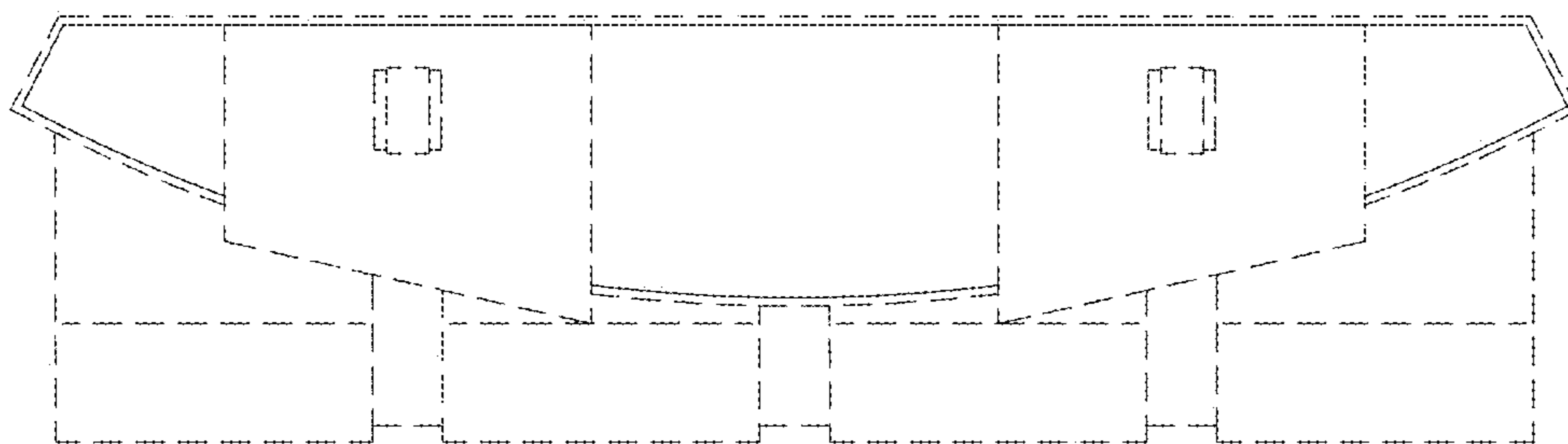


FIG. 14



UNITED STATES PATENT AND TRADEMARK OFFICE
CERTIFICATE OF CORRECTION

PATENT NO. : D907,127 S
APPLICATION NO. : 29/613154
DATED : January 5, 2021
INVENTOR(S) : Scott Olive et al.

Page 1 of 3

It is certified that error appears in the above-identified patent and that said Letters Patent is hereby corrected as shown below:

In the Drawings

Please replace Figure 1, and on the title page, the illustrative print figure, and Figure 8 as shown on the attached replacement drawing sheets.

Signed and Sealed this
Third Day of October, 2023
Katherine Kelly Vidal

Katherine Kelly Vidal
Director of the United States Patent and Trademark Office

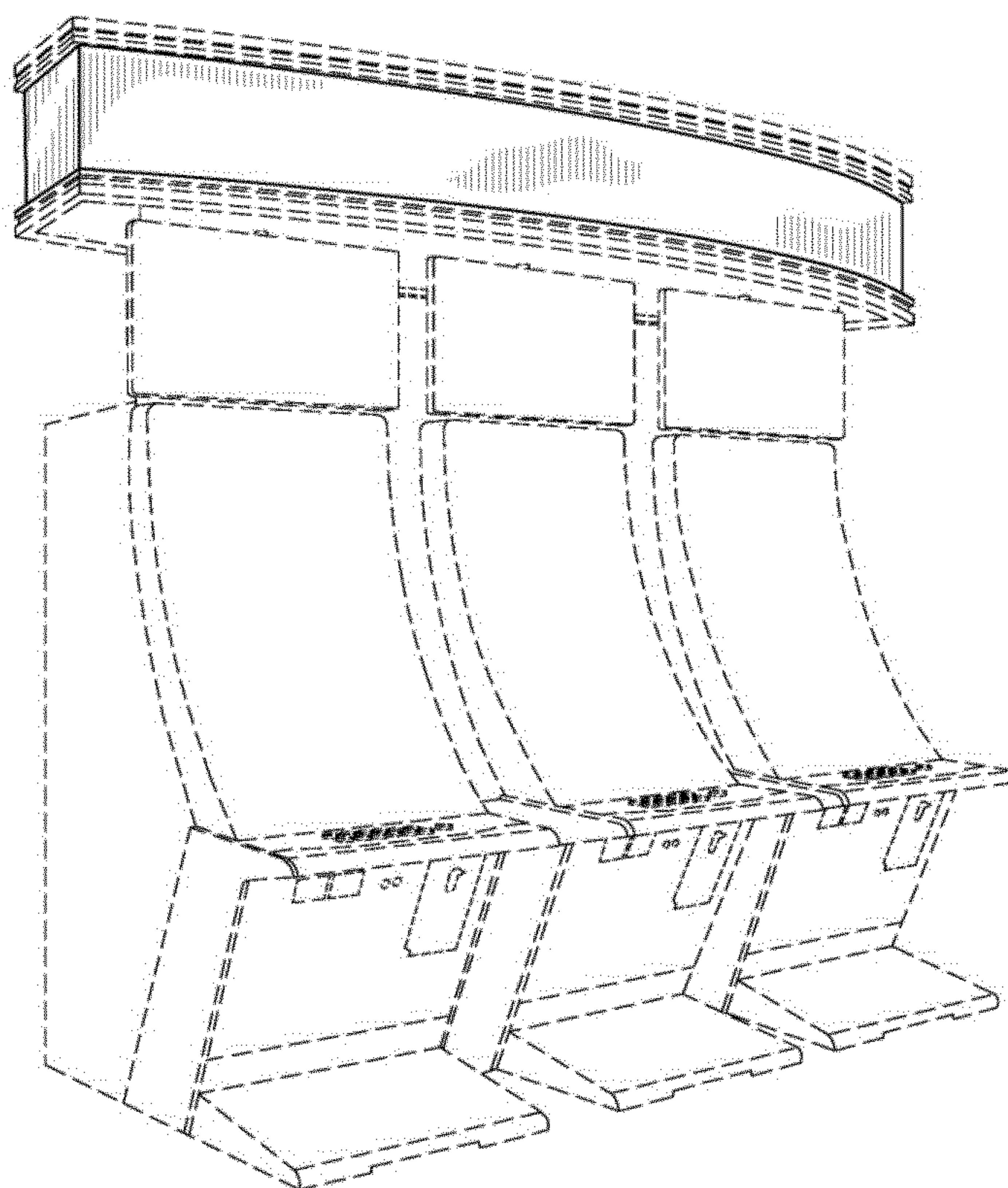


FIG. 1

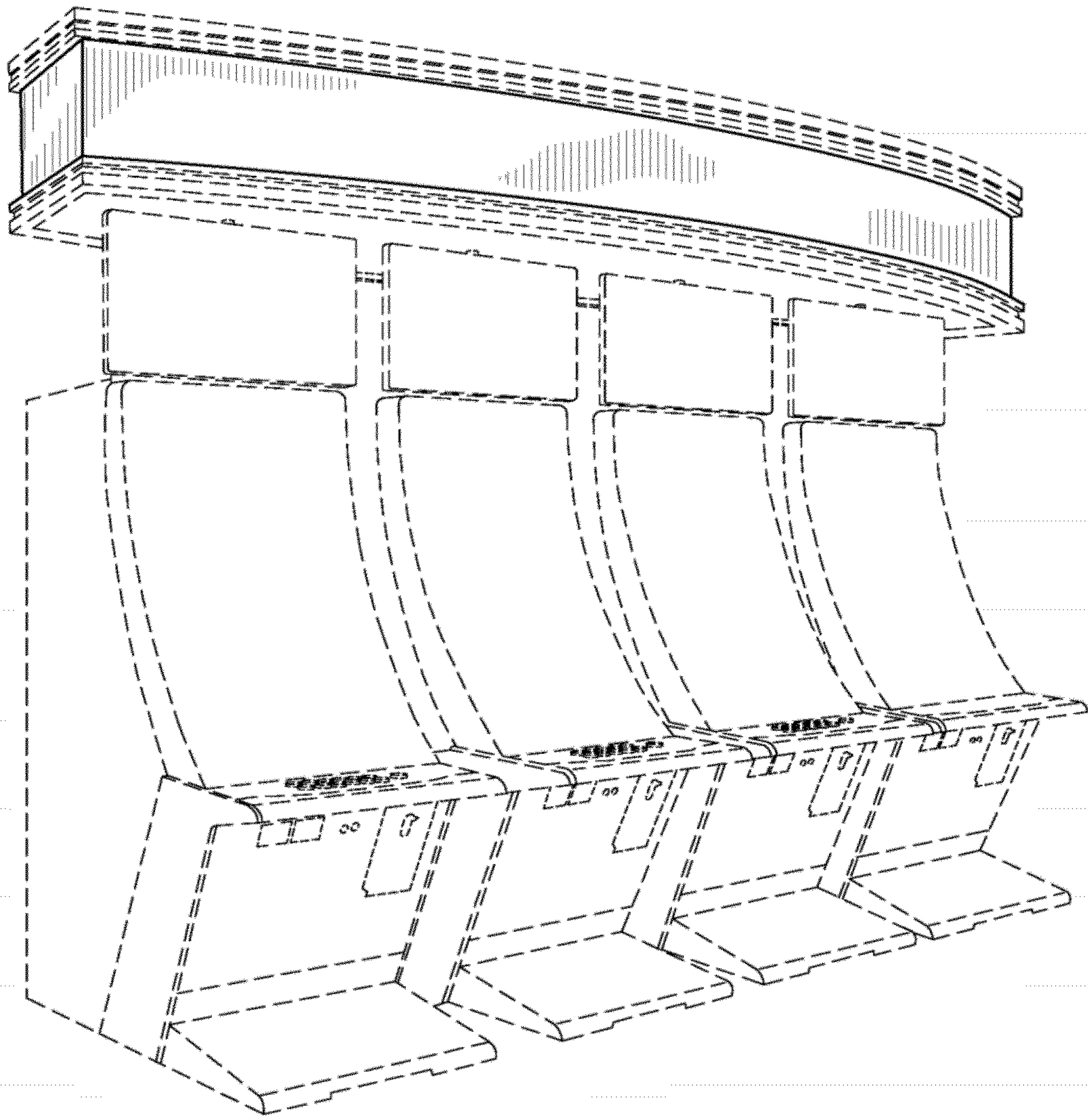


FIG. 8