



US00D907126S

(12) **United States Design Patent** (10) **Patent No.:** **US D907,126 S**
DeMarco et al. (45) **Date of Patent:** **** *Jan. 5, 2021**

(54) **GAMING MACHINE**

(71) Applicant: **ARISTOCRAT TECHNOLOGIES AUSTRALIA PTY LIMITED**, North Ryde (AU)

(72) Inventors: **Dominic J. DeMarco**, Round Rock, TX (US); **Bruce Edward Urban**, Las Vegas, NV (US); **James Franklin Stair**, Las Vegas, NV (US); **Ariel David Turgel**, San Francisco, CA (US); **Daniel Harden**, Palo Alto, CA (US); **Alexander Abele**, Aalen (DE)

(73) Assignee: **Aristocrat Technologies Australia Pty Ltd.**, North Ryde (AU)

(*) Notice: This patent is subject to a terminal disclaimer.

(**) Term: **15 Years**

(21) Appl. No.: **29/684,936**

(22) Filed: **Mar. 25, 2019**

(51) **LOC (13) Cl.** **21-03**

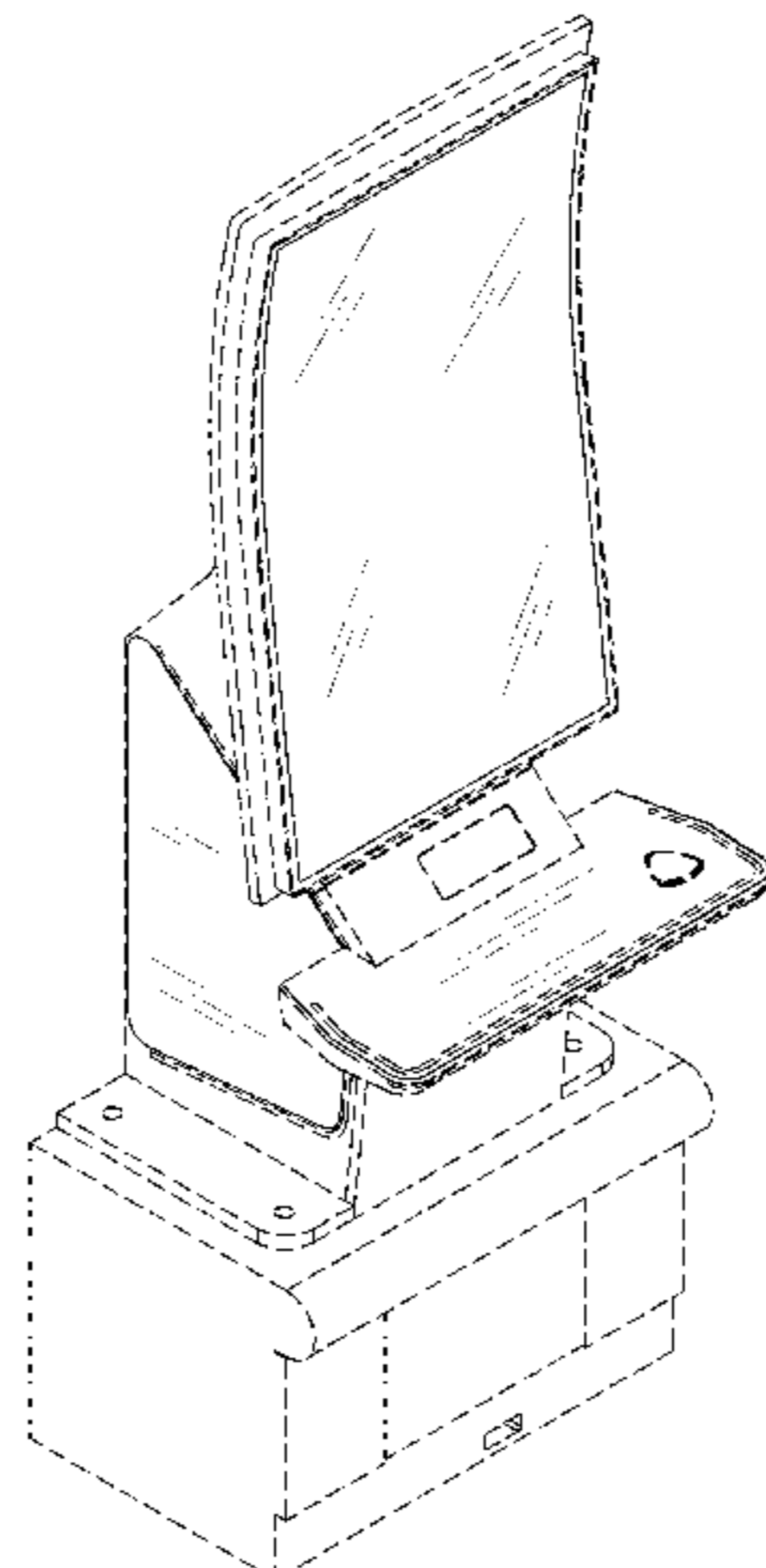
(52) **U.S. Cl.**
USPC **D21/369**

(58) **Field of Classification Search**
USPC D21/369, 370, 371, 385, 329, 325, 394; D14/307, 172, 129, 325, 401, 371, 126, D14/439, 432, 450, 128, 375, 248, 374, D14/341, 138 G, 127; 463/28, 13, 11, 463/16, 20, 25, 31, 46, 23, 30, 17, 36, 29, 463/42, 34, 32, 35, 19, 21, 22; 273/292, 273/203, 138.2, 143 R, 142 R, 138.1; D19/60; D16/226; D8/335, 331, 334; D26/141; D7/641
CPC G07F 17/32; G07F 17/34; G07F 17/3211; G07F 17/3244; G07F 17/3267
See application file for complete search history.

D479,243 S	9/2003	Ohashi	
D508,719 S	8/2005	de Haas	
D513,044 S	12/2005	Morrison	
6,997,810 B2	2/2006	Cole	
D531,677 S	11/2006	Mallory	
D546,893 S	7/2007	Yamashita	
D560,724 S	1/2008	Johnson	
D560,725 S	1/2008	Johnson	
D562,338 S	2/2008	Keohane	
D572,314 S	7/2008	Vallejo	
D579,456 S	10/2008	Chen	
D587,319 S	2/2009	Moises Deiab	
D599,858 S	9/2009	Lesley	
D599,859 S	9/2009	Lesley	
D604,773 S	11/2009	De Viveiros Ortiz	
D612,432 S	3/2010	De Viveiros Ortiz	
D613,802 S	4/2010	Meyers	
D619,177 S	7/2010	Lee	
D622,781 S	8/2010	Lesley	
D626,182 S	10/2010	Cole	
D628,208 S	11/2010	Potemski	
D646,337 S	10/2011	Kelly	
D652,454 S	1/2012	Yepez	
D666,625 S	9/2012	Gilmore	
D668,261 S	10/2012	Arnold	
D673,620 S	1/2013	Johnson	
D673,621 S	1/2013	Johnson	
D677,736 S	3/2013	Dorn	
D678,956 S	3/2013	Lesley	
D679,722 S	4/2013	Ray	
D685,033 S	6/2013	Wudtke	
D689,899 S	9/2013	Lee	
D691,665 S	10/2013	Chudek	
D693,841 S	11/2013	Velasco	
D695,733 S	12/2013	Damhuis	
D697,558 S	1/2014	Myers	
D704,273 S	5/2014	Chudek	
D706,741 S	6/2014	Myers	
D707,646 S *	6/2014	Kim	D14/138 G
D713,841 S	9/2014	Lim	
8,832,598 B2	9/2014	Hirata	
D719,616 S	12/2014	Inoue	
D723,626 S	3/2015	Vasquez	
D727,431 S	4/2015	Themann	
D728,585 S	5/2015	Lee	
D730,993 S	6/2015	Castro	
D732,520 S	6/2015	Themann	
D734,733 S	7/2015	Park	
D736,171 S	8/2015	Lee	
D740,887 S	10/2015	Randazzo	
D740,888 S	10/2015	DePalma	
D742,974 S	11/2015	Lesley	
D749,342 S	2/2016	Escandon	

(56) **References Cited**
U.S. PATENT DOCUMENTS

D415,124 S 10/1999 Rooyakkers
D428,864 S 8/2000 Rooyakkers
D464,377 S 10/2002 Wurz



US D907,126 S

D759,096 S 6/2016 Seo
D760,275 S 6/2016 Zhang
D765,136 S 8/2016 Lee
RE46,169 E 10/2016 Kelly
D772,240 S 11/2016 Edstrom
D772,273 S 11/2016 Spector
D773,512 S 12/2016 Miura
D780,852 S 3/2017 Sharp
D785,664 S 5/2017 Yao
D790,563 S 6/2017 Lam
9,679,435 B2 6/2017 Schrementi
9,704,337 B2 7/2017 Riggs
D794,661 S 8/2017 Nishizawa
D794,664 S 8/2017 Okabe
D801,435 S 10/2017 Themann
D803,323 S 11/2017 Bussey
D803,324 S 11/2017 Bussey
D809,068 S 1/2018 Ballman
D809,069 S 1/2018 Ballman
D812,146 S * 3/2018 Castro D21/369
D812,147 S * 3/2018 Castro D21/369
D812,148 S * 3/2018 Castro D21/369
D812,149 S * 3/2018 Castro D21/369
D814,455 S 4/2018 Kwon
D816,079 S 4/2018 Yamazaki
D818,048 S 5/2018 Calhoun
D819,747 S 6/2018 Castro
D820,915 S 6/2018 Lee
D826,338 S 8/2018 Bussey
D832,356 S 10/2018 Castro
D833,534 S 11/2018 Lee
D834,652 S 11/2018 Lee
10,127,761 B2 11/2018 Woels
10,181,236 B2 * 1/2019 Goldstein G07F 17/3216
D843,458 S * 3/2019 Castro D21/369
D843,467 S 3/2019 Johnson
D843,468 S 3/2019 Johnson
D843,473 S 3/2019 Zedell, Jr.
D843,474 S 3/2019 Lesley
D843,475 S 3/2019 Lesley
D843,476 S 3/2019 Lesley
D843,477 S * 3/2019 Lesley D21/369
D843,478 S * 3/2019 Lesley D21/369
D843,479 S * 3/2019 Castro D21/369
D843,480 S * 3/2019 Castro D21/369
D843,482 S * 3/2019 Holland D21/396
D844,062 S * 3/2019 Lesley D21/369
D846,650 S 4/2019 Stair
D847,905 S 5/2019 Lewis
D849,149 S 5/2019 Bussey
D849,150 S 5/2019 Gallagher
D850,536 S 6/2019 Stair
D850,537 S * 6/2019 Urban D21/370
D854,621 S 7/2019 Calhoun
D858,641 S 9/2019 Legras
D858,642 S 9/2019 Legras
D859,347 S 9/2019 Kwon
D862,602 S 10/2019 Kariya
D865,066 S 10/2019 Ortiz De Viveiros
D865,873 S 11/2019 Lewis
D866,666 S 11/2019 Ditton
D866,667 S 11/2019 Stair
D866,668 S 11/2019 Ditton
D868,165 S 11/2019 Ortiz De Viveiros
D870,818 S 12/2019 Curbun
D870,820 S * 12/2019 Urban D21/369
D871,506 S * 12/2019 Castro D21/369
D871,507 S * 12/2019 Urban D21/369
D872,190 S 1/2020 Zedell, Jr.
D875,091 S 2/2020 Kwon
10,580,252 B2 3/2020 Whelan
D880,605 S 4/2020 Bussey
D880,606 S 4/2020 Glenn, II
D880,608 S * 4/2020 Glenn, II D21/369
D880,610 S * 4/2020 Glenn, II D21/369
D880,611 S * 4/2020 Glenn, II D21/369
D880,612 S 4/2020 Bernard
D880,613 S 4/2020 Bernard
D880,614 S 4/2020 Bernard

D880,615 S 4/2020 Bernard
D881,284 S * 4/2020 Glenn D21/369
D881,285 S * 4/2020 Glenn D21/369
D882,697 S 4/2020 Lesley
2013/0084948 A1 4/2013 Watkins
2014/0335934 A1 11/2014 Meyer
2015/0018070 A1 1/2015 Meyer
2015/0036073 A1 2/2015 Im
2016/0093143 A1 3/2016 Lamb
2016/0195938 A1 7/2016 Kim
2017/0039802 A1 2/2017 Prabhu
2017/0046906 A1 2/2017 Hilbert
2017/0092052 A1 3/2017 McKay
2017/0301177 A1 10/2017 Pawloski
2018/0075689 A1 * 3/2018 Castro G07F 17/322
2018/0078847 A1 3/2018 Sorreta
2018/0078854 A1 3/2018 Achmueller
2018/0082523 A1 3/2018 Palermo
2019/0012874 A1 1/2019 Goldstein
2019/0046872 A1 2/2019 Glenn, II
2019/0096161 A1 3/2019 Barbour
2019/0096170 A1 3/2019 Lewis
2019/0096173 A1 3/2019 Brandau
2019/0102971 A1 4/2019 Schoonmaker
2019/0102974 A1 4/2019 Bussey
2019/0102984 A1 4/2019 Gallagher
2019/0287337 A1 9/2019 Shiraishi
2020/0111291 A1 4/2020 Pariseau
2020/0111295 A1 4/2020 Glenn
2020/0111296 A1 4/2020 Miura
2020/0111297 A1 4/2020 Kazama
2020/0111328 A1 4/2020 Bland

OTHER PUBLICATIONS

Office Action dated Jun. 1, 2020 for U.S. Appl. No. 29/684,808 (pp. 1-9).
Office Action dated Jun. 1, 2020 for U.S. Appl. No. 29/684,812 (pp. 1-9).
Office Action dated Jun. 1, 2020 for U.S. Appl. No. 29/684,832 (pp. 1-9).
Office Action dated Jun. 1, 2020 for U.S. Appl. No. 29/684,836 (pp. 1-9).
Office Action dated Jun. 1, 2020 for U.S. Appl. No. 29/684,844 (pp. 1-9).
Office Action dated Jun. 1, 2020 for U.S. Appl. No. 29/684,849 (pp. 1-9).
Office Action dated Jun. 5, 2020 for U.S. Appl. No. 29/684,847 (pp. 1-9).
Office Action dated Jun. 12, 2020 for U.S. Appl. No. 29/684,810 (pp. 1-10).
Office Action dated Jun. 12, 2020 for U.S. Appl. No. 29/684,814 (pp. 1-10).
Office Action dated Jun. 12, 2020 for U.S. Appl. No. 29/684,817 (pp. 1-11).
Office Action dated Jun. 12, 2020 for U.S. Appl. No. 29/684,838 (pp. 1-11).
Office Action dated Jun. 12, 2020 for U.S. Appl. No. 29/684,842 (pp. 1-11).
Office Action dated Jun. 12, 2020 for U.S. Appl. No. 29/684,883 (pp. 1-8).
Office Action dated Jun. 12, 2020 for U.S. Appl. No. 29/684,890 (pp. 1-9).
Office Action dated Jun. 12, 2020 for U.S. Appl. No. 29/684,891 (pp. 1-9).
Office Action dated Jun. 12, 2020 for U.S. Appl. No. 29/684,894 (pp. 1-10).
Office Action dated Jun. 12, 2020 for U.S. Appl. No. 29/684,899 (pp. 1-9).
Office Action dated Jun. 12, 2020 for U.S. Appl. No. 29/684,915 (pp. 1-10).
Office Action dated Jun. 12, 2020 for U.S. Appl. No. 29/684,922 (pp. 1-10).
Office Action dated Jun. 12, 2020 for U.S. Appl. No. 29/684,925 (pp. 1-10).

Office Action dated Jun. 12, 2020 for U.S. Appl. No. 29/684,929 (pp. 1-10).
Office Action dated Jun. 12, 2020 for U.S. Appl. No. 29/684,934 (pp. 1-10).
Office Action dated Jun. 12, 2020 for U.S. Appl. No. 29/684,941 (pp. 1-12).
Office Action dated Jul. 10, 2020 for U.S. Appl. No. 29/684,900 (pp. 1-10).
Office Action dated Jul. 10, 2020 for U.S. Appl. No. 29/684,938 (pp. 1-13).
Notice of Allowance dated Aug. 5, 2020 for U.S. Appl. No. 29/678,496 (pp. 1-7).
Office Action dated Jun. 1, 2020 for U.S. Appl. No. 29/684,806 (pp. 1-9).
Office Action dated Jun. 1, 2020 for U.S. Appl. No. 29/684,807 (pp. 1-8).
Office Action dated Jun. 1, 2020 for U.S. Appl. No. 29/684,809 (pp. 1-7).
Office Action dated Jun. 1, 2020 for U.S. Appl. No. 29/684,811 (pp. 1-7).
Office Action dated Jun. 12, 2020 for U.S. Appl. No. 29/684,912 (pp. 1-10).
Corrected Notice of Allowability dated Aug. 17, 2020 for U.S. Appl. No. 29/678,496 (pp. 1-4).

* cited by examiner

Primary Examiner — Ryan Harvey
(74) *Attorney, Agent, or Firm* — Armstrong Teasdale LLP

(57) **CLAIM**

We claim the ornamental design for a gaming machine, as shown and described.

DESCRIPTION

FIG. 1 is a front perspective view of a gaming machine showing our new design;
FIG. 2 is a front view of the gaming machine shown in FIG. 1;

FIG. 3 is a back view of the gaming machine shown in FIG. 1;
FIG. 4 is a right side view of the gaming machine shown in FIG. 1;
FIG. 5 is a left side view of the gaming machine shown in FIG. 1;
FIG. 6 is a top view of the gaming machine shown in FIG. 1;
FIG. 7 is a bottom view of the gaming machine shown in FIG. 1;
FIG. 8 is a front perspective view of a gaming machine showing an alternative embodiment of our new design;
FIG. 9 is a front view of the gaming machine shown in FIG. 8;
FIG. 10 is a front perspective view of a gaming machine showing a further embodiment of our new design;
FIG. 11 is a front view of the gaming machine shown in FIG. 10;
FIG. 12 is a back view of the gaming machine shown in FIG. 10;
FIG. 13 is a right side view of the gaming machine shown in FIG. 10;
FIG. 14 is a left side view of the gaming machine shown in FIG. 10;
FIG. 15 is a top view of the gaming machine shown in FIG. 10;
FIG. 16 is a bottom view of the gaming machine shown in FIG. 10;
FIG. 17 is a front perspective view of a gaming machine showing another alternative embodiment of our new design; and,
FIG. 18 is a front view of the gaming machine shown in FIG. 17.
The broken line showing of portions of the gaming machine depicts environment and forms no part of the claimed design.

1 Claim, 18 Drawing Sheets

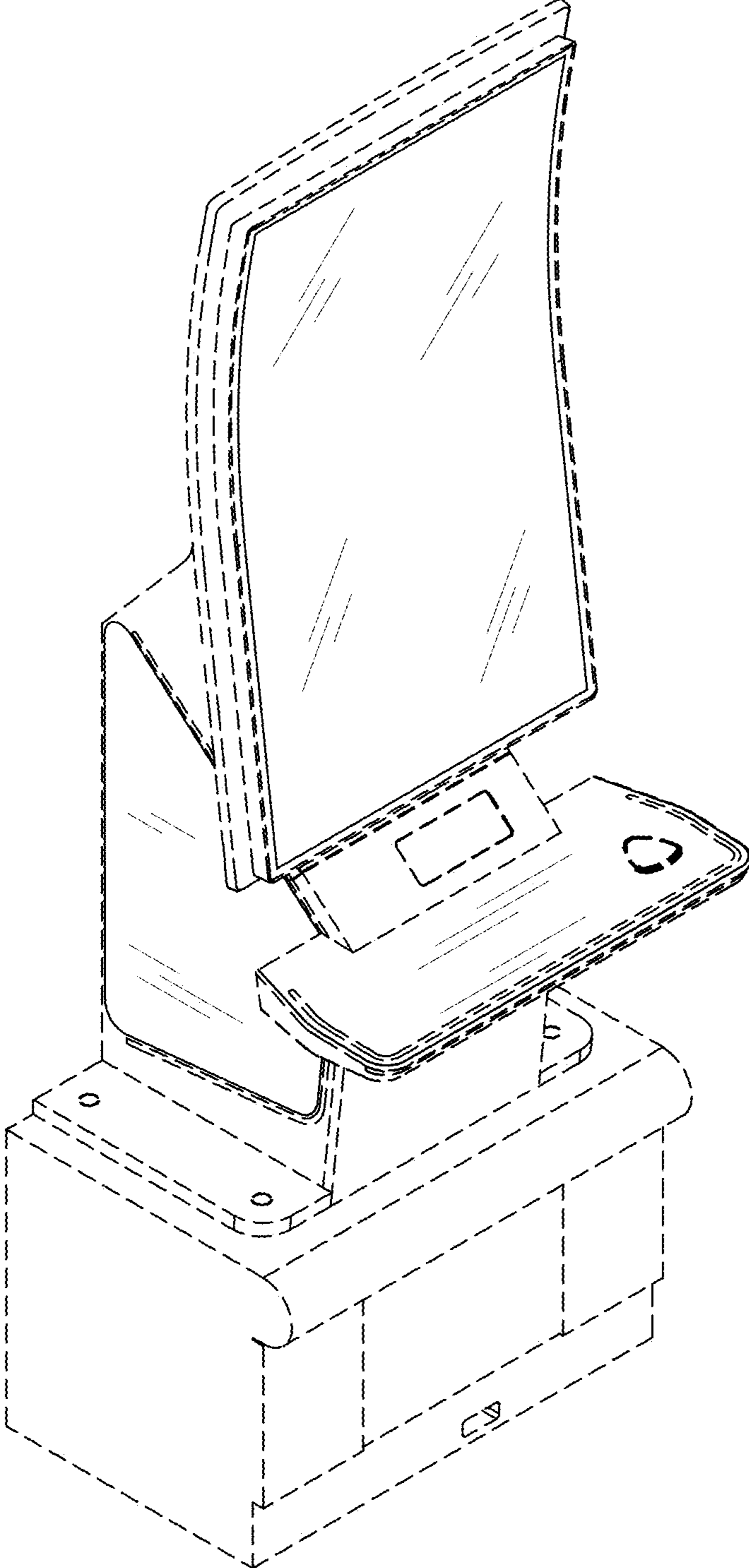


FIG. 1

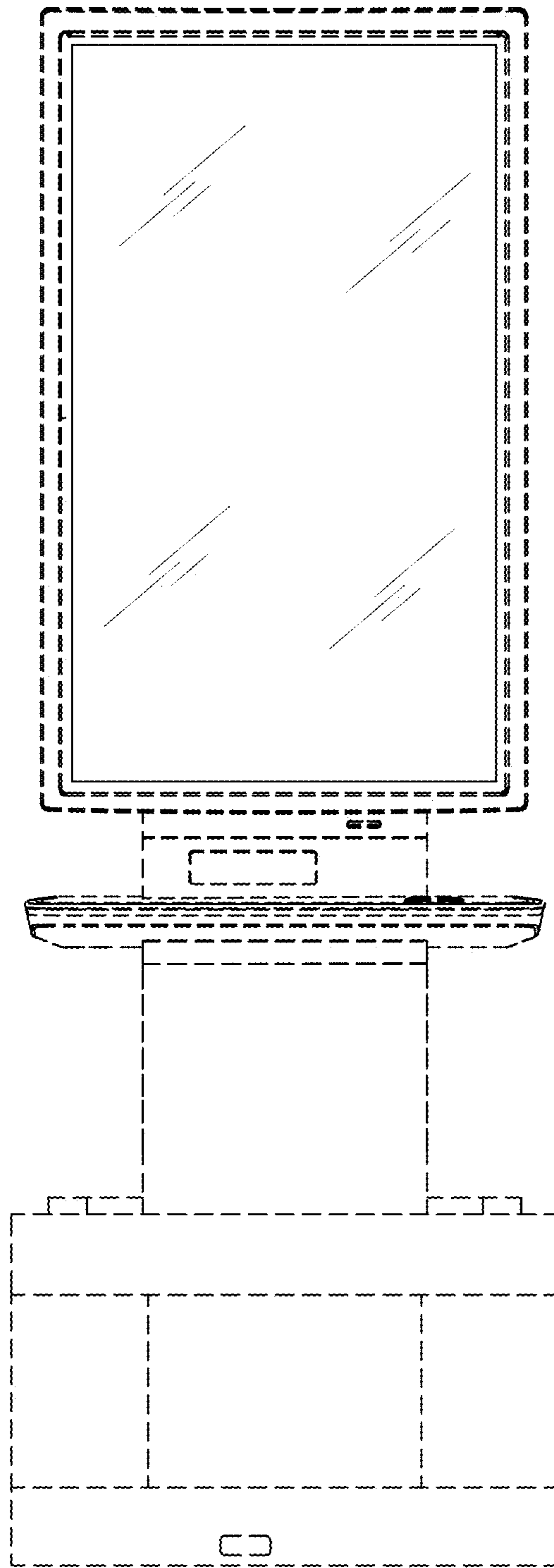


FIG. 2

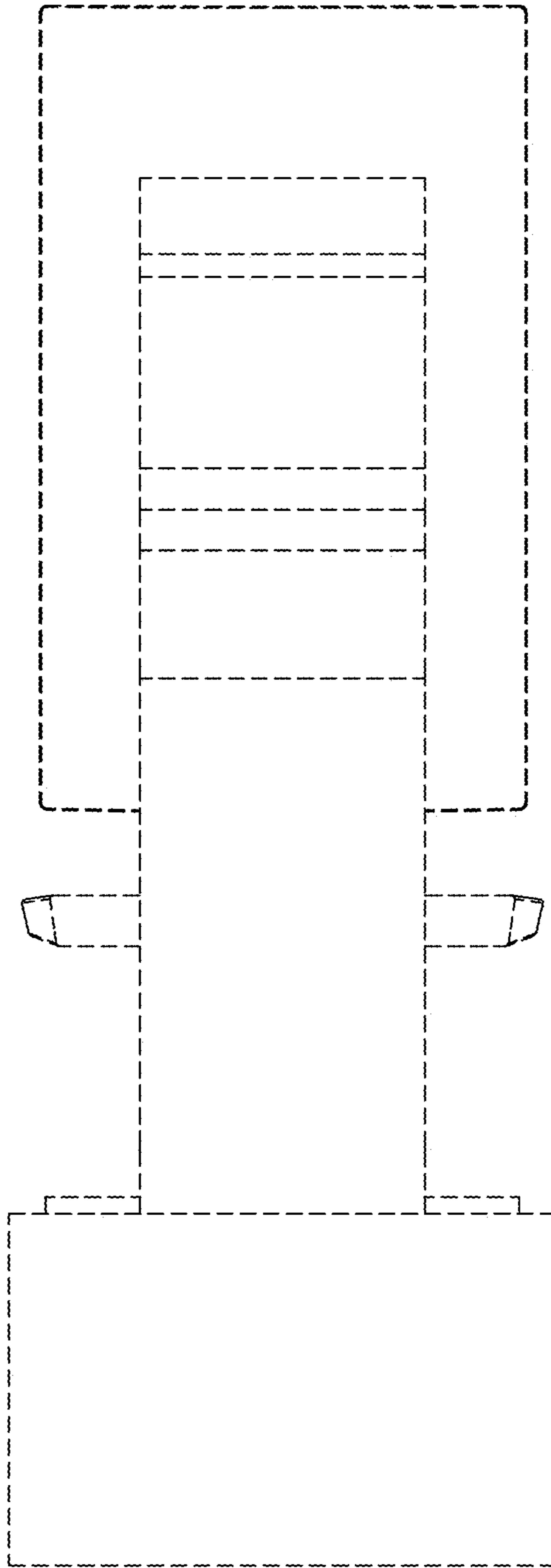


FIG. 3

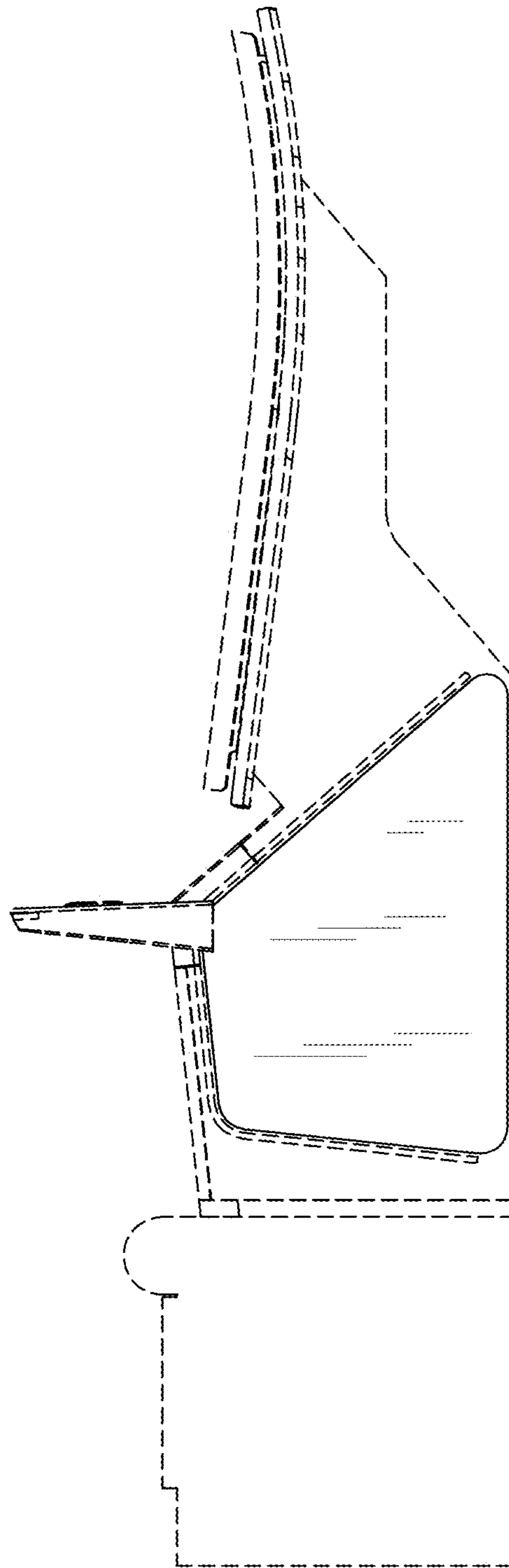


FIG. 4

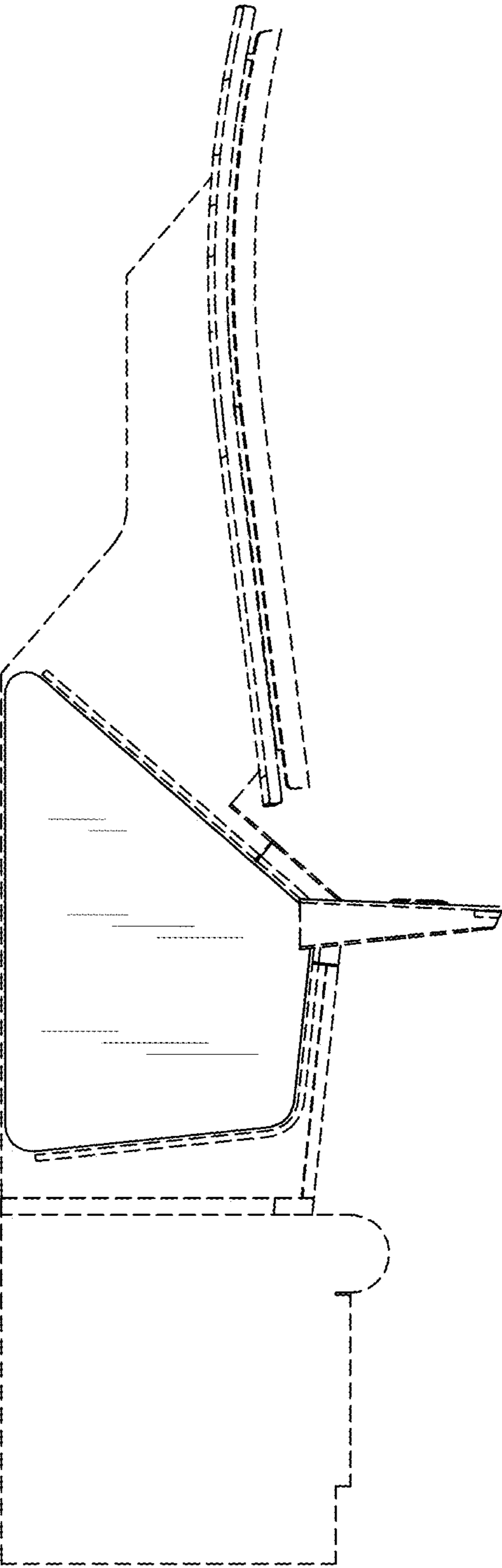


FIG. 5

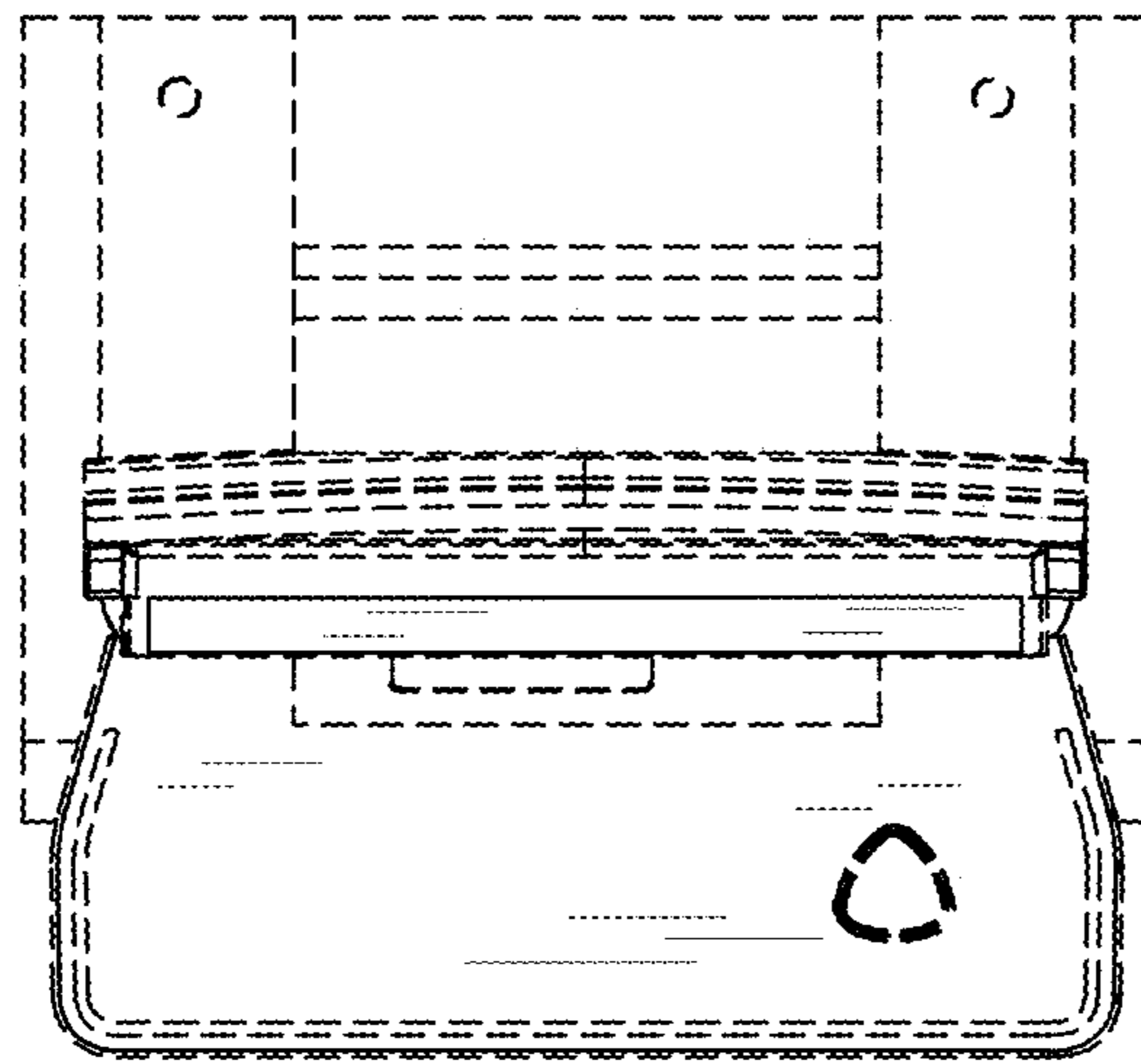


FIG. 6

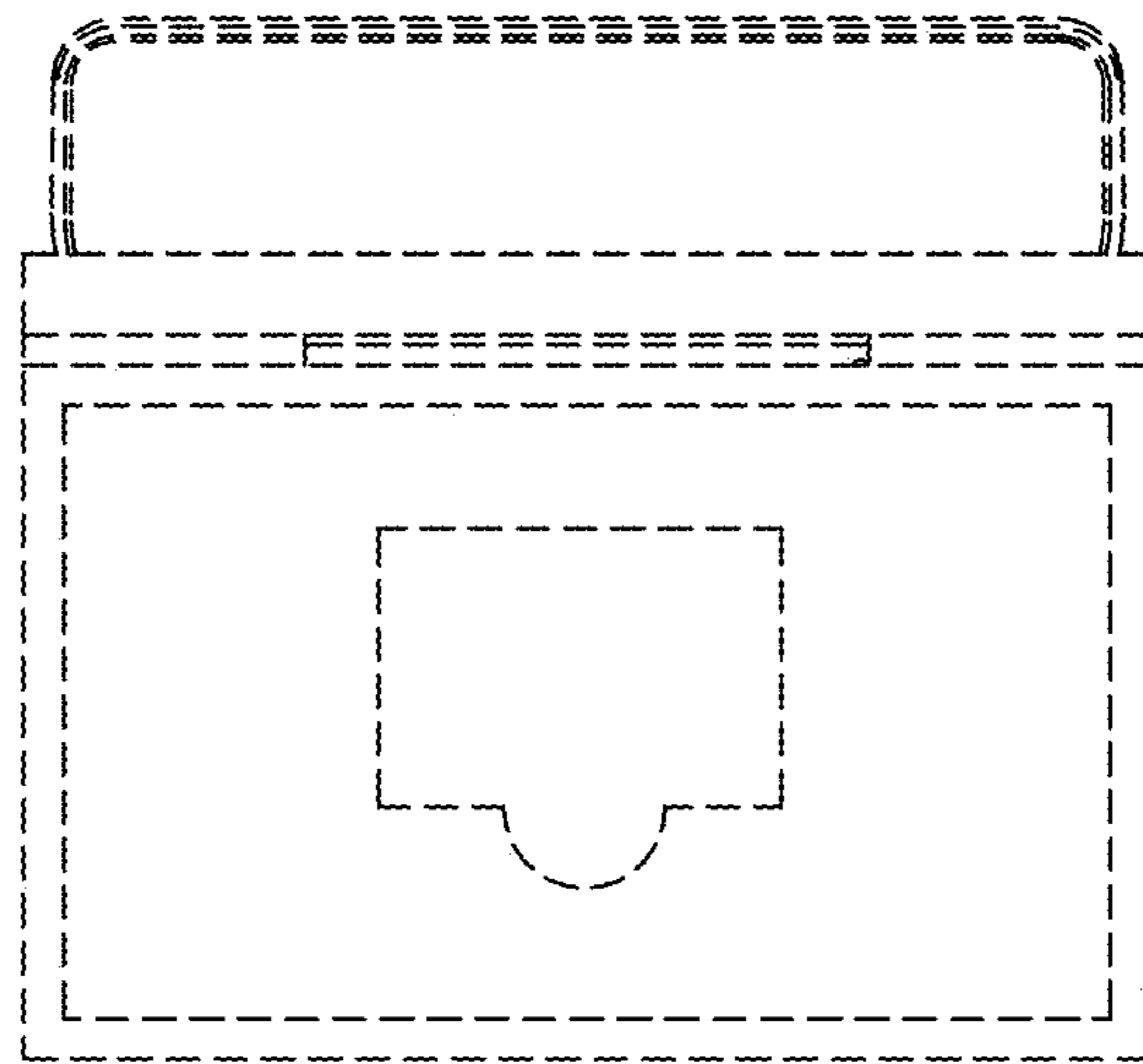


FIG. 7

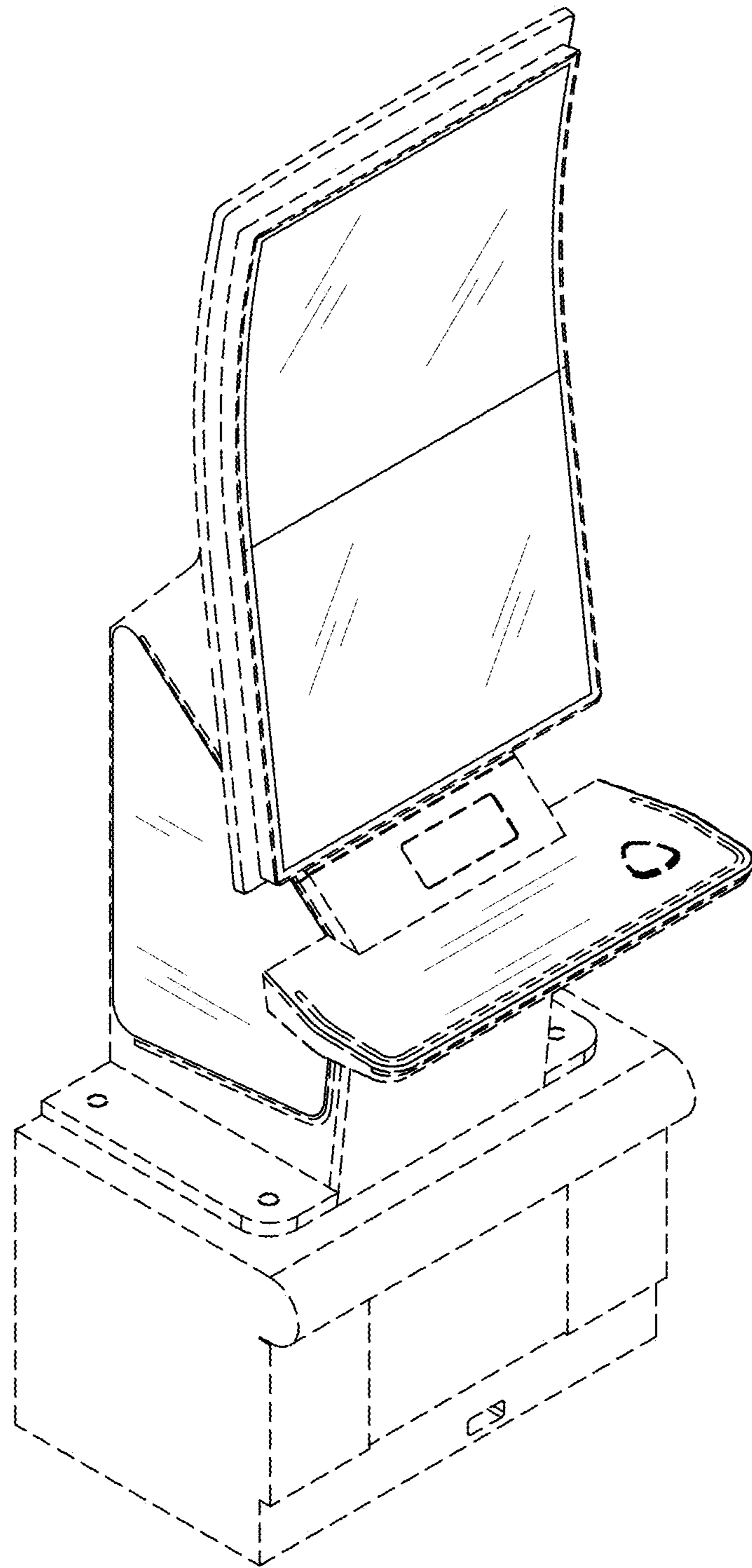


FIG. 8

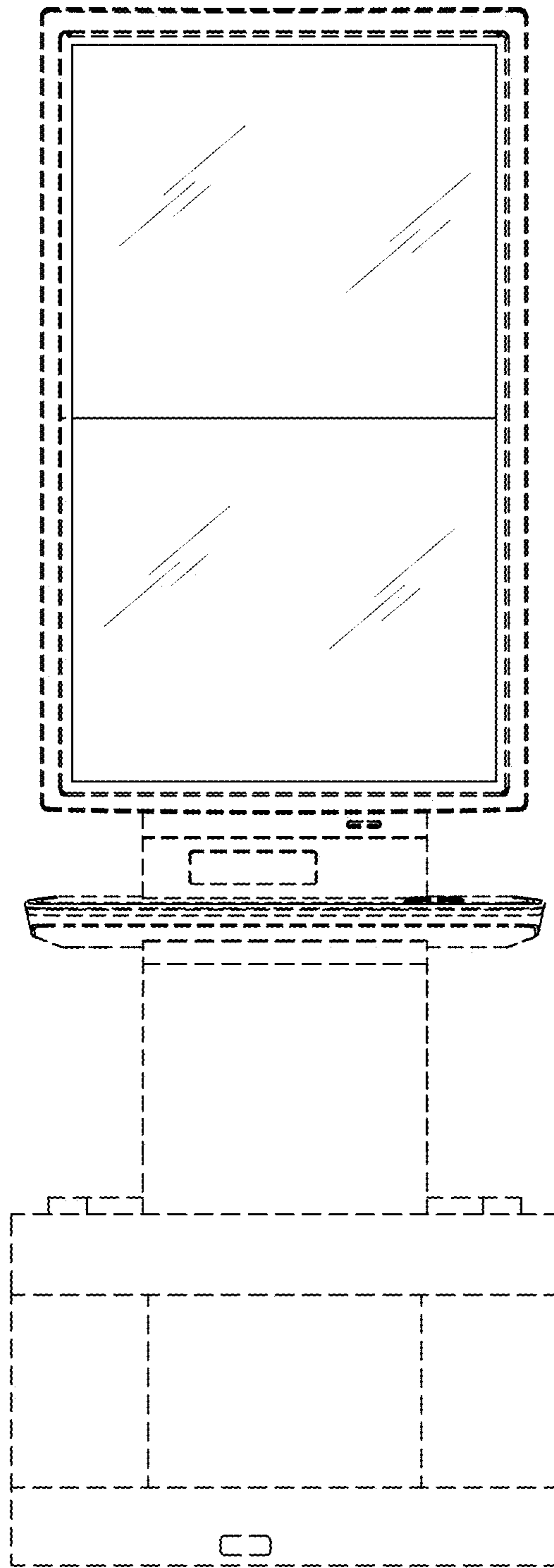


FIG. 9

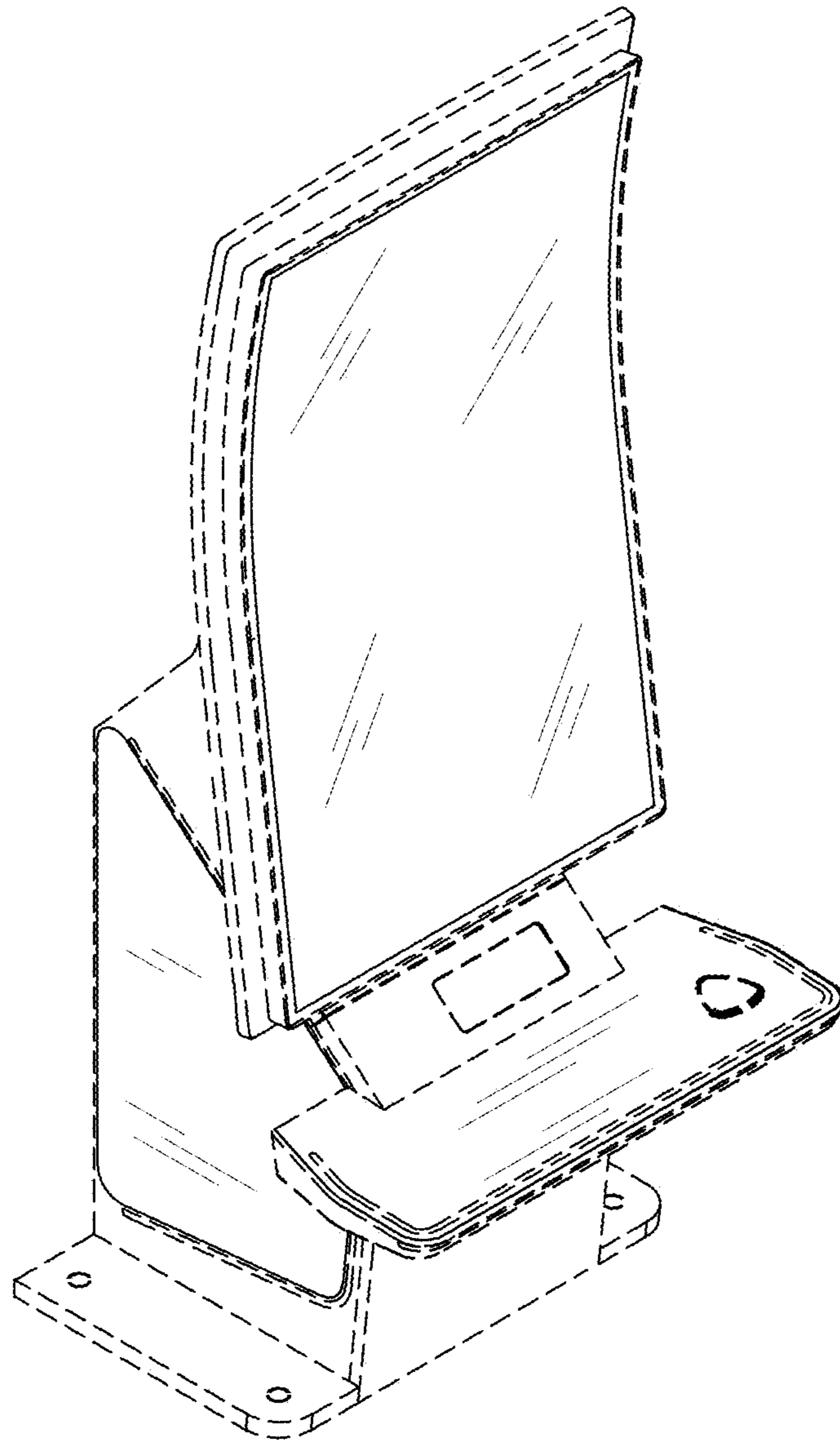


FIG. 10

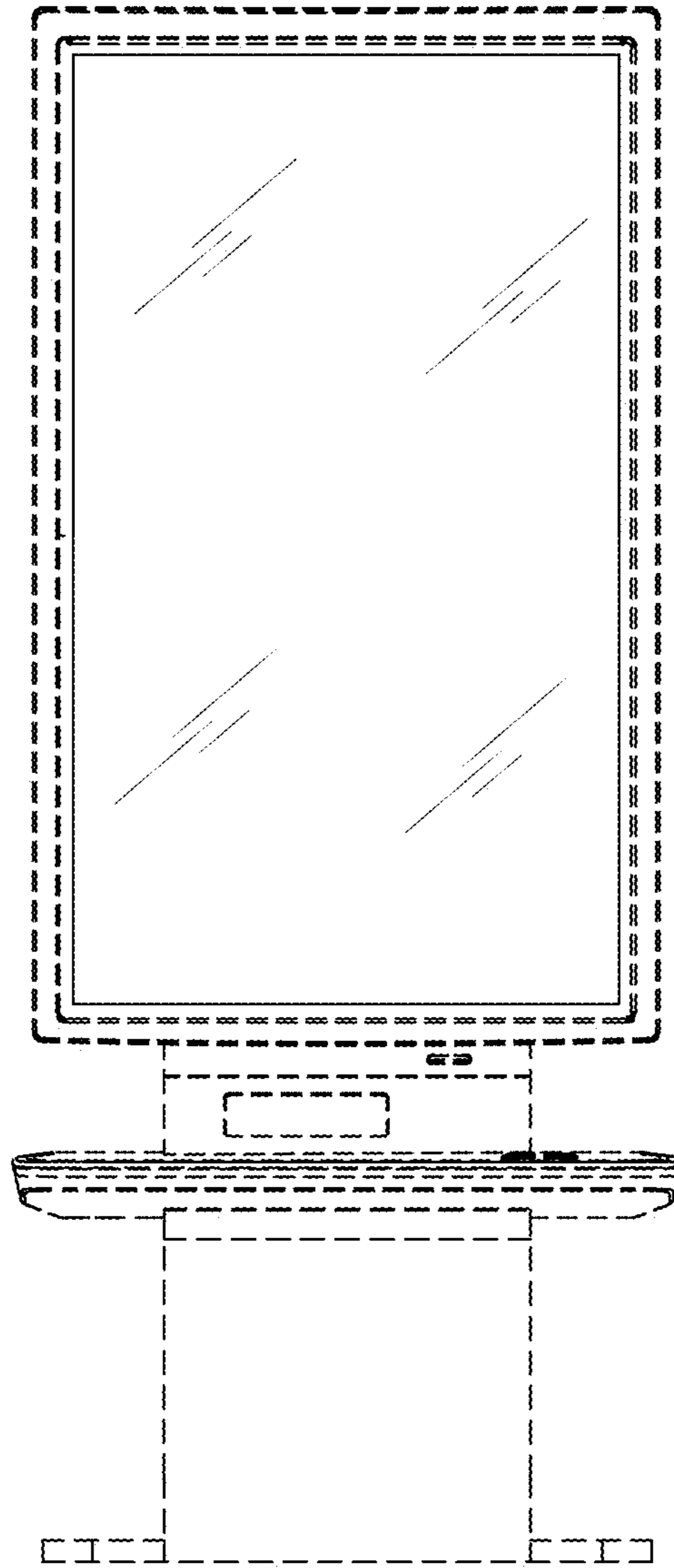


FIG. 11

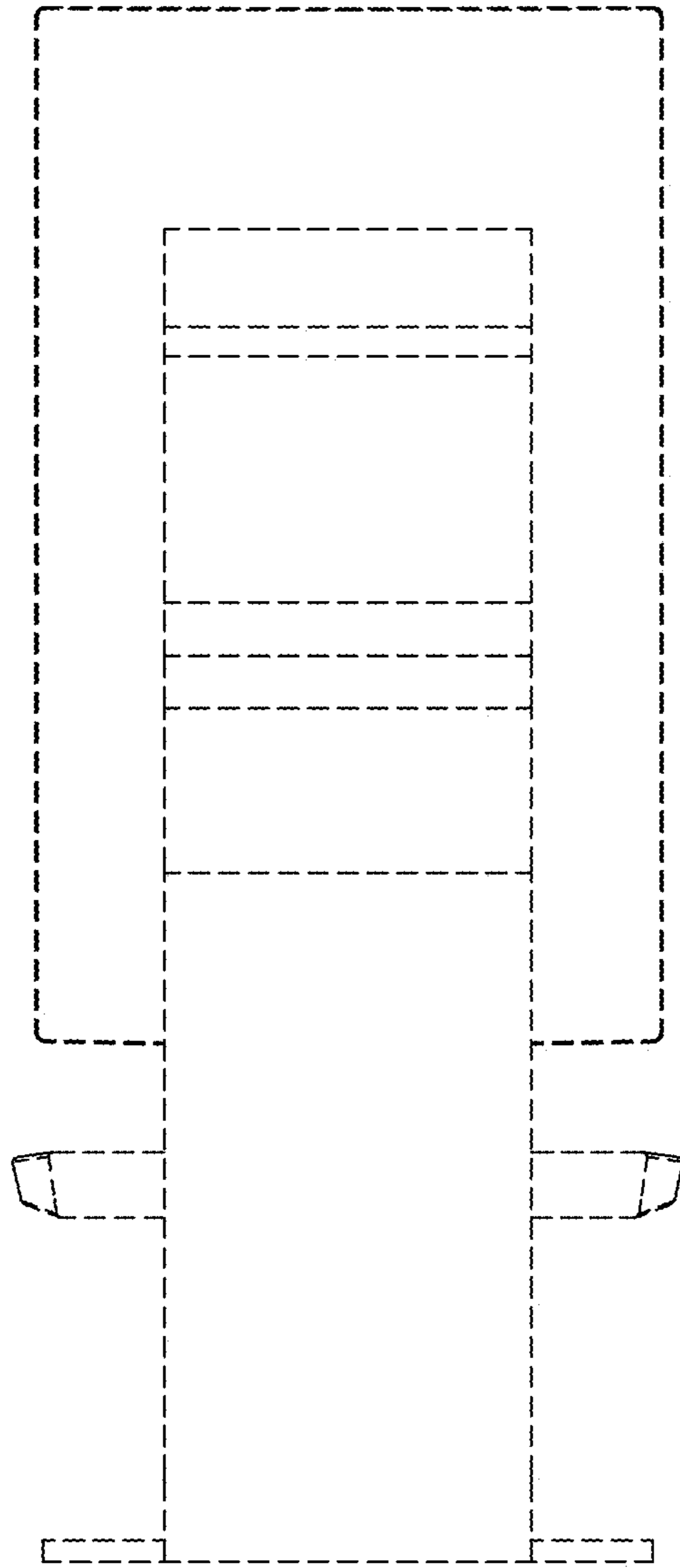


FIG. 12

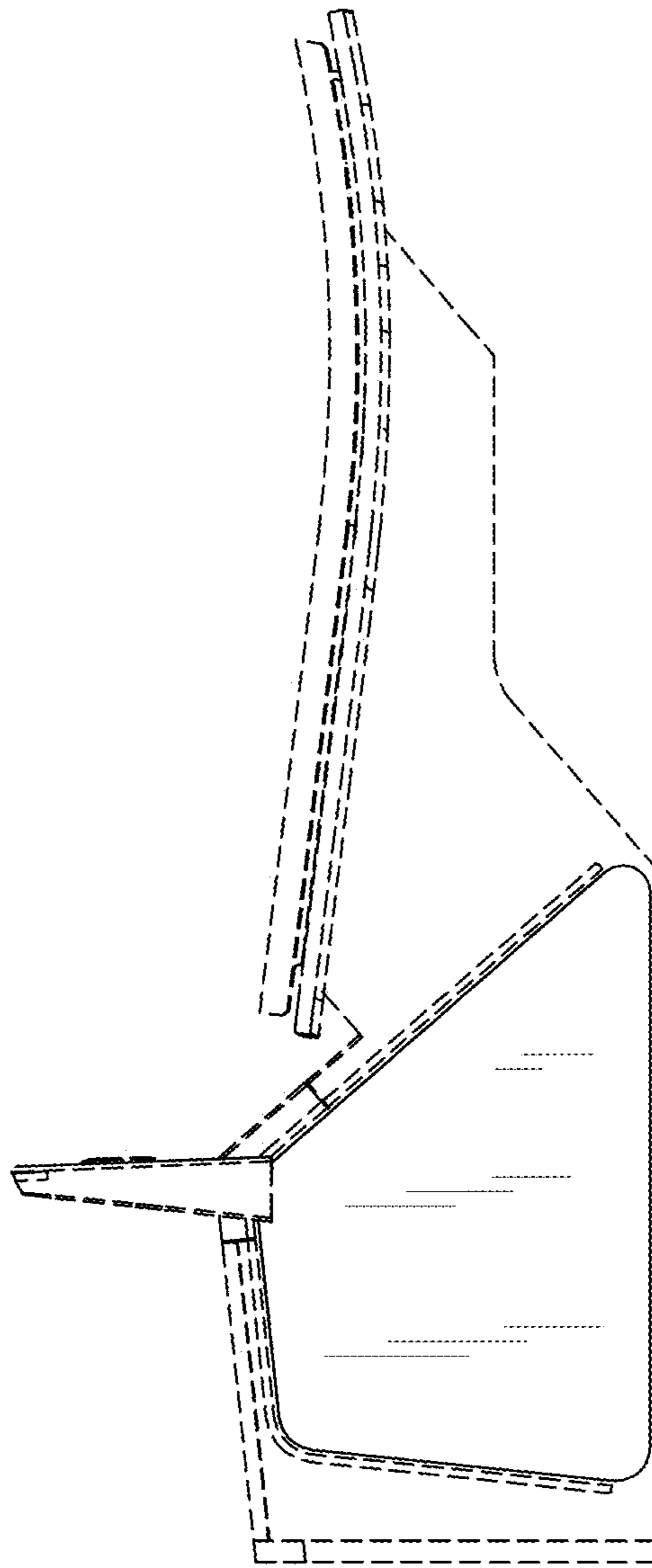


FIG. 13

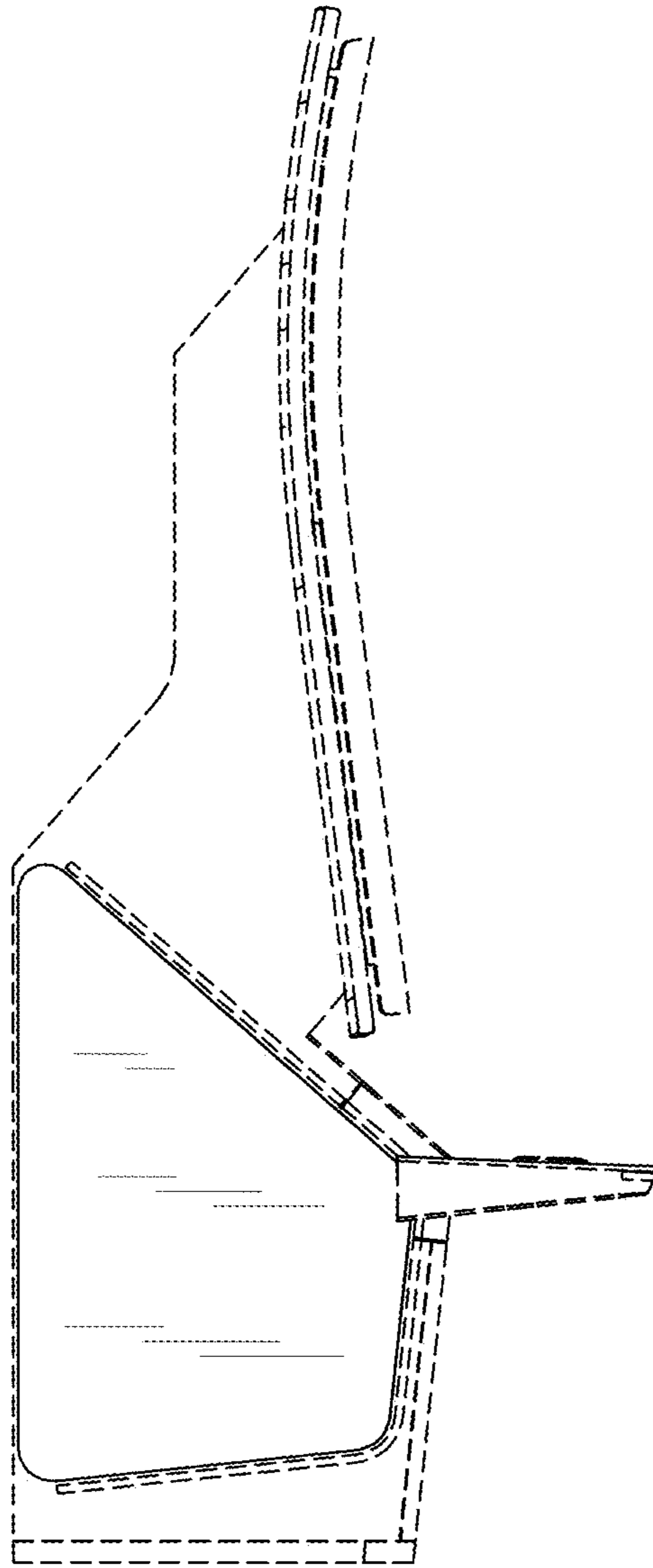


FIG. 14

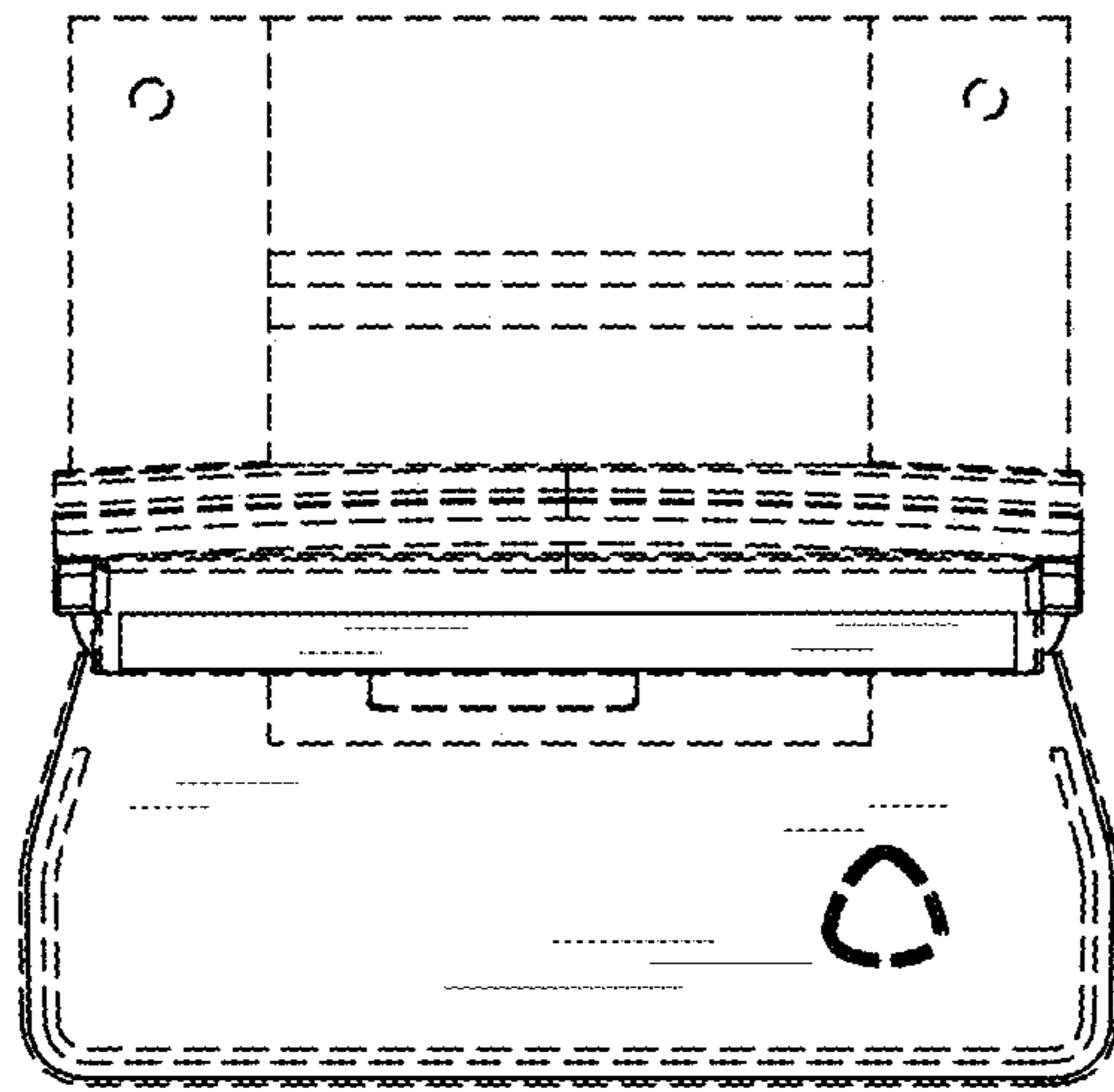


FIG. 15

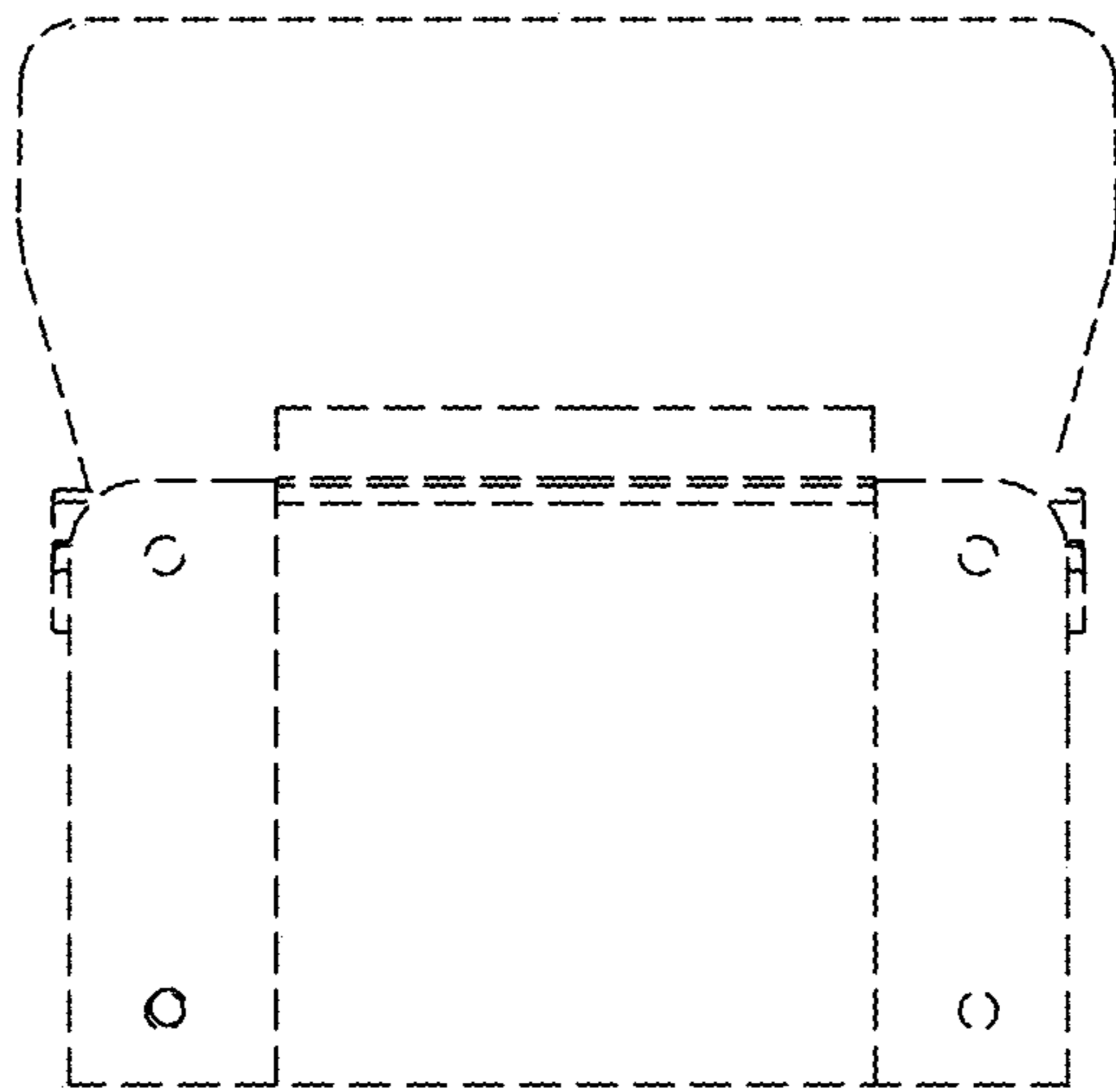


FIG. 16

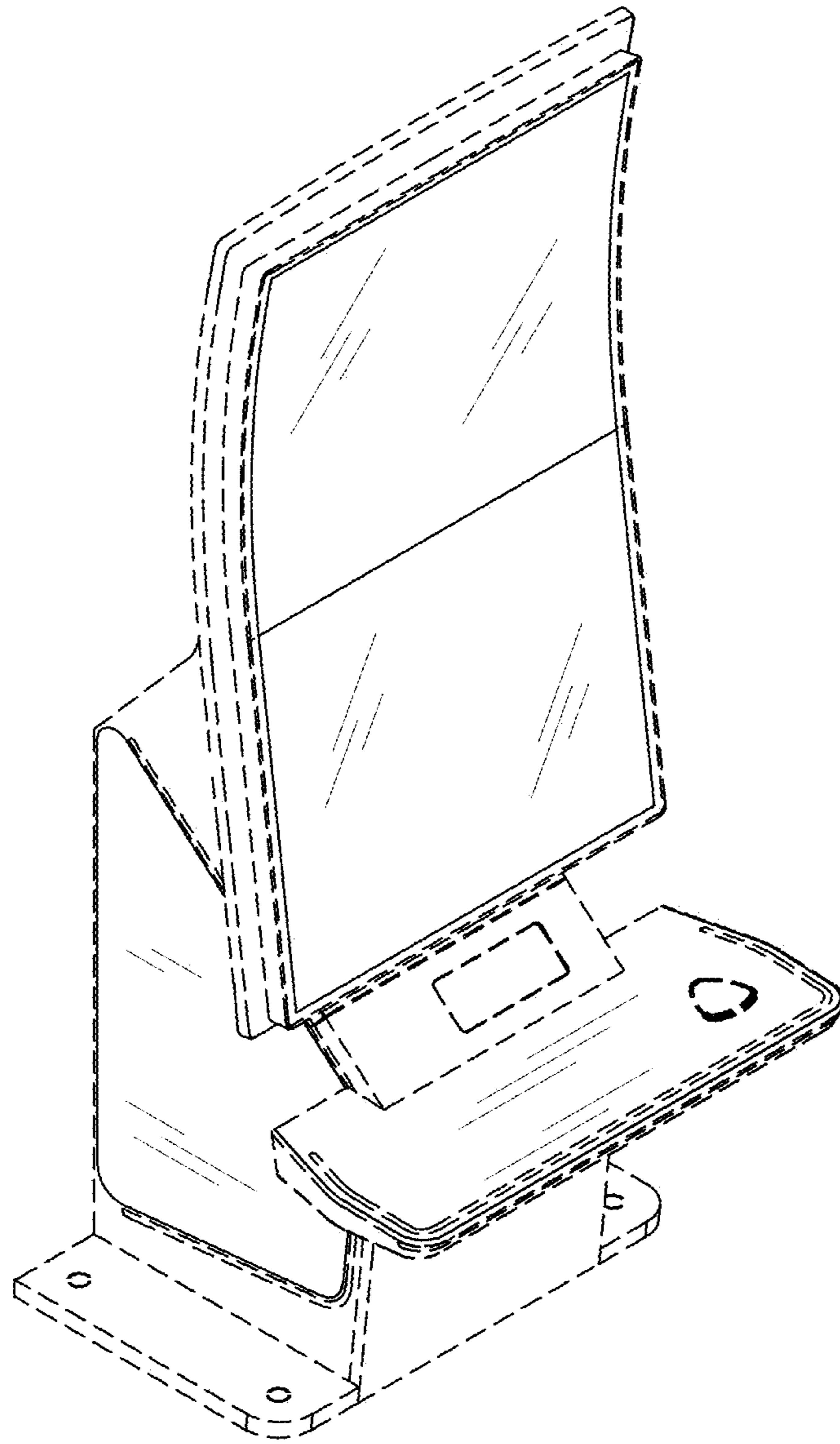


FIG. 17

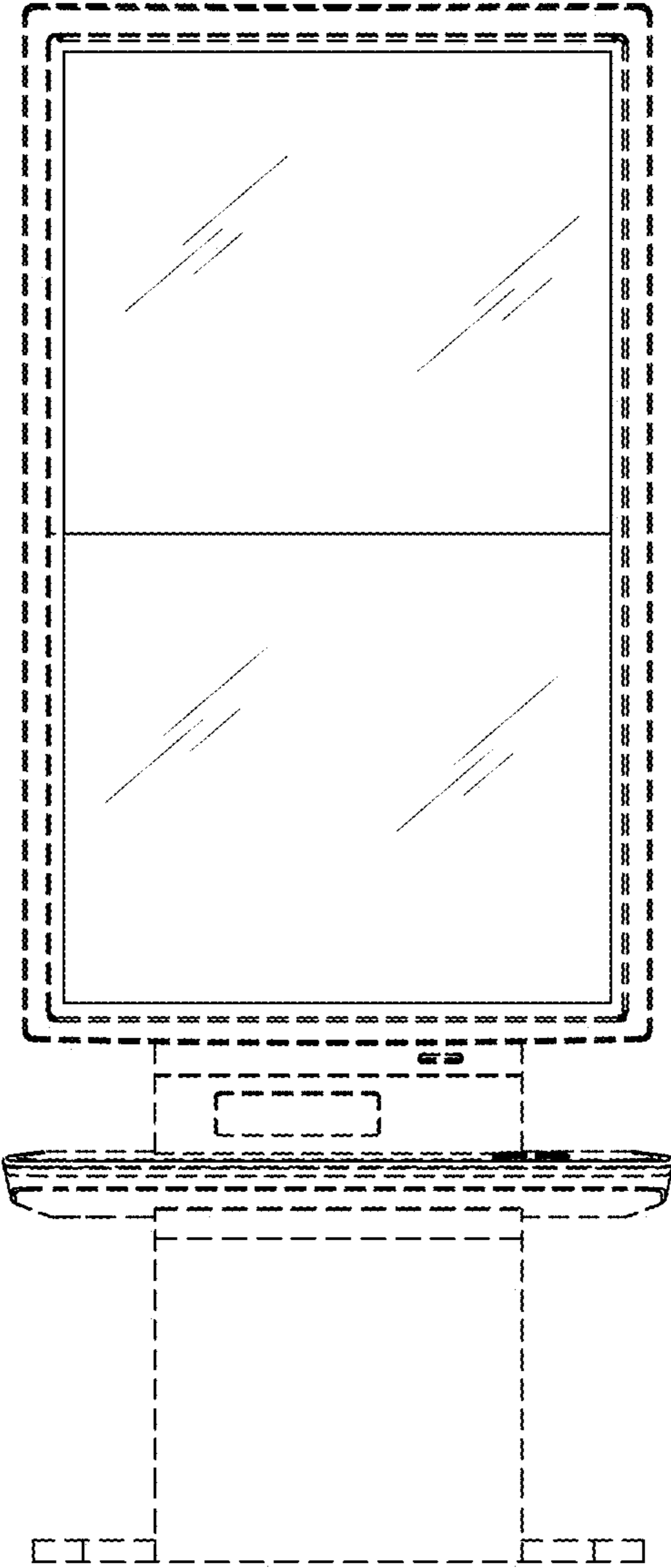


FIG. 18