



US00D907124S

(12) **United States Design Patent** (10) **Patent No.:** **US D907,124 S**  
**DeMarco et al.** (45) **Date of Patent:** **\*\* \*Jan. 5, 2021**

(54) **GAMING MACHINE**

*Primary Examiner* — Ryan Harvey

(71) Applicant: **ARISTOCRAT TECHNOLOGIES AUSTRALIA PTY LIMITED**, North Ryde (AU)

(74) *Attorney, Agent, or Firm* — Armstrong Teasdale LLP

(72) Inventors: **Dominic J. DeMarco**, Round Rock, TX (US); **Bruce Edward Urban**, Las Vegas, NV (US); **James Franklin Stair**, Las Vegas, NV (US); **Ariel David Turgel**, San Francisco, CA (US); **Daniel Harden**, Palo Alto, CA (US); **Alexander Abele**, Aalen (DE)

(57) **CLAIM**

We claim the ornamental design for a gaming machine, as shown and described.

(73) Assignee: **Aristocrat Technologies Australia Pty Ltd.**, North Ryde (AU)

**DESCRIPTION**

(\*) Notice: This patent is subject to a terminal disclaimer.

FIG. 1 is a front perspective view of a gaming machine showing our new design;  
FIG. 2 is a front view of the gaming machine shown in FIG. 1;  
FIG. 3 is a back view of the gaming machine shown in FIG. 1;  
FIG. 4 is a right side view of the gaming machine shown in FIG. 1;  
FIG. 5 is a left side view of the gaming machine shown in FIG. 1;  
FIG. 6 is a top view of the gaming machine shown in FIG. 1;  
FIG. 7 is a bottom view of the gaming machine shown in FIG. 1;  
FIG. 8 is a front perspective view of a gaming machine showing an alternative embodiment of our new design;  
FIG. 9 is a front view of the gaming machine shown in FIG. 8;  
FIG. 10 is a back view of the gaming machine shown in FIG. 8;  
FIG. 11 is a right side view of the gaming machine shown in FIG. 8;  
FIG. 12 is a left side view of the gaming machine shown in FIG. 8;  
FIG. 13 is a top view of the gaming machine shown in FIG. 8; and  
FIG. 14 is a bottom view of the gaming machine shown in FIG. 8.

(\*\*) Term: **15 Years**

(21) Appl. No.: **29/684,912**

(22) Filed: **Mar. 25, 2019**

(51) **LOC (13) Cl.** ..... **21-03**

(52) **U.S. Cl.**  
USPC ..... **D21/369**

(58) **Field of Classification Search**  
USPC ..... D21/369, 370, 371, 385, 329, 325, 394;  
D14/307, 172, 129, 325, 401, 371, 126,  
(Continued)

(56) **References Cited**

**U.S. PATENT DOCUMENTS**

D415,124 S 10/1999 Rooyakkers  
D428,864 S 8/2000 Rooyakkers  
(Continued)

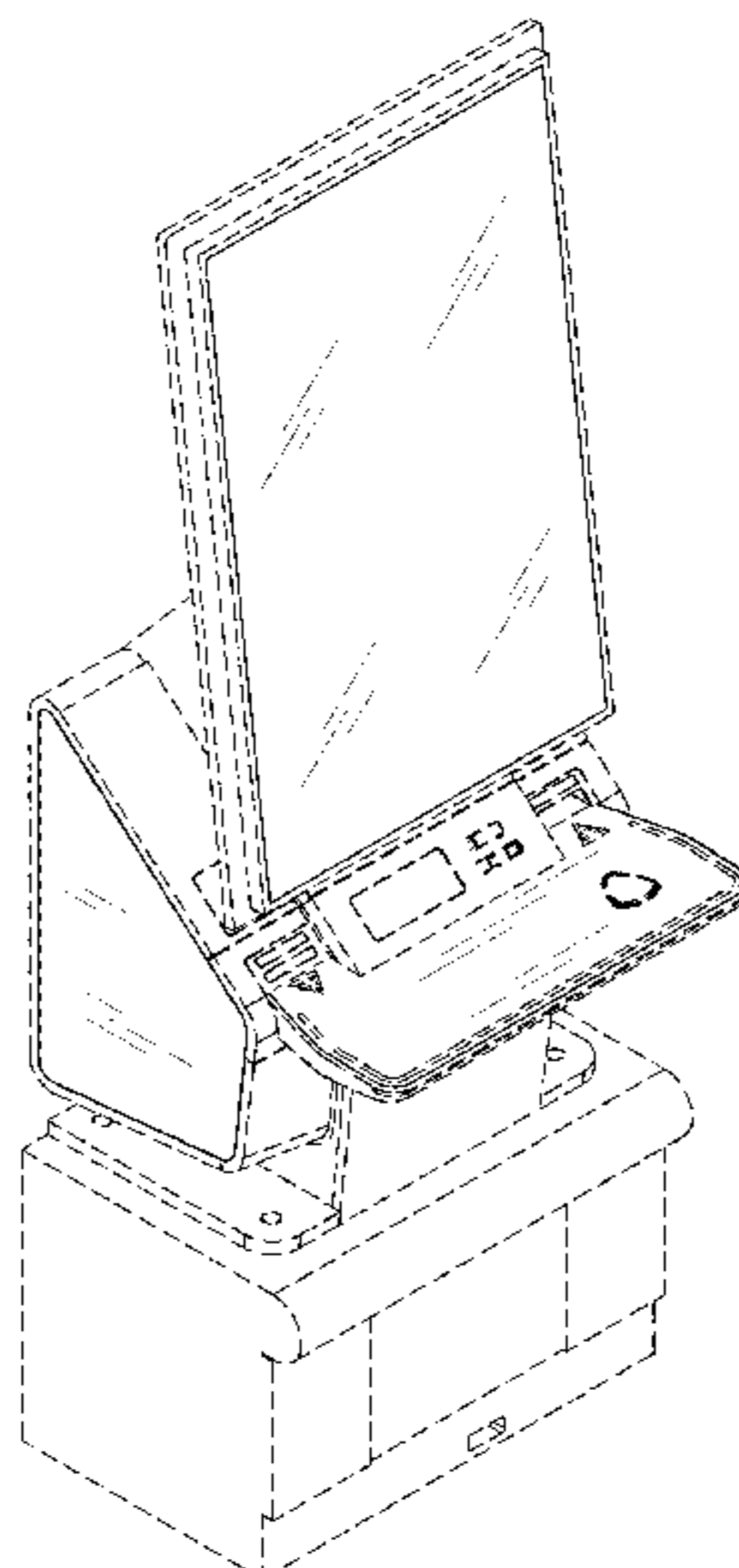
**OTHER PUBLICATIONS**

Office Action dated Jun. 1, 2020 for U.S. Appl. No. 29/684,806 (pp. 1-9).

The broken line showing of portions of the gaming machine depicts environment and forms no part of the claimed design.

(Continued)

**1 Claim, 14 Drawing Sheets**





(56)

**References Cited**

U.S. PATENT DOCUMENTS

2015/0018070	A1	1/2015	Meyer	
2015/0036073	A1	2/2015	Im	
2016/0093143	A1	3/2016	Lamb	
2016/0195938	A1	7/2016	Kim	
2017/0039802	A1	2/2017	Prabhu	
2017/0046906	A1	2/2017	Hilbert	
2017/0092052	A1	3/2017	McKay	
2017/0301177	A1	10/2017	Pawloski	
2018/0075689	A1	3/2018	Castro	
2018/0078847	A1	3/2018	Sorreta	
2018/0078854	A1	3/2018	Achmueller	
2018/0082523	A1*	3/2018	Palermo .....	G07F 17/3216
2019/0012874	A1	1/2019	Goldstein	
2019/0046872	A1	2/2019	Glenn, II	
2019/0096161	A1	3/2019	Barbour	
2019/0096170	A1	3/2019	Lewis	
2019/0096173	A1	3/2019	Brandau	
2019/0102971	A1	4/2019	Schoonmaker	
2019/0102974	A1*	4/2019	Bussey .....	G07F 17/3211
2019/0102984	A1*	4/2019	Gallagher .....	G07F 17/3216
2019/0287337	A1	9/2019	Shiraishi	
2020/0111291	A1	4/2020	Pariseau	
2020/0111295	A1	4/2020	Glenn	
2020/0111296	A1	4/2020	Miura	
2020/0111297	A1*	4/2020	Kazama .....	G07F 17/3213
2020/0111328	A1	4/2020	Bland	

OTHER PUBLICATIONS

Office Action dated Jun. 1, 2020 for U.S. Appl. No. 29/684,807 (pp. 1-8).  
 Office Action dated Jun. 1, 2020 for U.S. Appl. No. 29/684,808 (pp. 1-9).  
 Office Action dated Jun. 1, 2020 for U.S. Appl. No. 29/684,812 (pp. 1-9).  
 Office Action dated Jun. 1, 2020 for U.S. Appl. No. 29/684,832 (pp. 1-9).  
 Office Action dated Jun. 1, 2020 for U.S. Appl. No. 29/684,836 (pp. 1-9).  
 Office Action dated Jun. 1, 2020 for U.S. Appl. No. 29/684,844 (pp. 1-9).  
 Office Action dated Jun. 1, 2020 for U.S. Appl. No. 29/684,849 (pp. 1-9).  
 Office Action dated Jun. 5, 2020 for U.S. Appl. No. 29/684,847 (pp. 1-9).

Office Action dated Jun. 12, 2020 for U.S. Appl. No. 29/684,810 (pp. 1-10).  
 Office Action dated Jun. 12, 2020 for U.S. Appl. No. 29/684,814 (pp. 1-10).  
 Office Action dated Jun. 12, 2020 for U.S. Appl. No. 29/684,817 (pp. 1-11).  
 Office Action dated Jun. 12, 2020 for U.S. Appl. No. 29/684,838 (pp. 1-11).  
 Office Action dated Jun. 12, 2020 for U.S. Appl. No. 29/684,842 (pp. 1-11).  
 Office Action dated Jun. 12, 2020 for U.S. Appl. No. 29/684,883 (pp. 1-8).  
 Office Action dated Jun. 12, 2020 for U.S. Appl. No. 29/684,890 (pp. 1-9).  
 Office Action dated Jun. 12, 2020 for U.S. Appl. No. 29/684,891 (pp. 1-9).  
 Office Action dated Jun. 12, 2020 for U.S. Appl. No. 29/684,894 (pp. 1-10).  
 Office Action dated Jun. 12, 2020 for U.S. Appl. No. 29/684,899 (pp. 1-9).  
 Office Action dated Jun. 12, 2020 for U.S. Appl. No. 29/684,915 (pp. 1-10).  
 Office Action dated Jun. 12, 2020 for U.S. Appl. No. 29/684,922 (pp. 1-10).  
 Office Action dated Jun. 12, 2020 for U.S. Appl. No. 29/684,925 (pp. 1-10).  
 Office Action dated Jun. 12, 2020 for U.S. Appl. No. 29/684,929 (pp. 1-10).  
 Office Action dated Jun. 12, 2020 for U.S. Appl. No. 29/684,934 (pp. 1-10).  
 Office Action dated Jun. 12, 2020 for U.S. Appl. No. 29/684,936 (pp. 1-10).  
 Office Action dated Jun. 12, 2020 for U.S. Appl. No. 29/684,941 (pp. 1-12).  
 Office Action dated Jul. 10, 2020 for U.S. Appl. No. 29/684,900 (pp. 1-10).  
 Office Action dated Jul. 10, 2020 for U.S. Appl. No. 29/684,938 (pp. 1-13).  
 Notice of Allowance dated Aug. 5, 2020 for U.S. Appl. No. 29/678,496 (pp. 1-7).  
 Office Action dated Jun. 1, 2020 for U.S. Appl. No. 29/684,809 (pp. 1-7).  
 Office Action dated Jun. 1, 2020 for U.S. Appl. No. 29/684,811 (pp. 1-7).  
 Corrected Notice of Allowability dated Aug. 17, 2020 for U.S. Appl. No. 29/678,496 (pp. 1-4).

\* cited by examiner

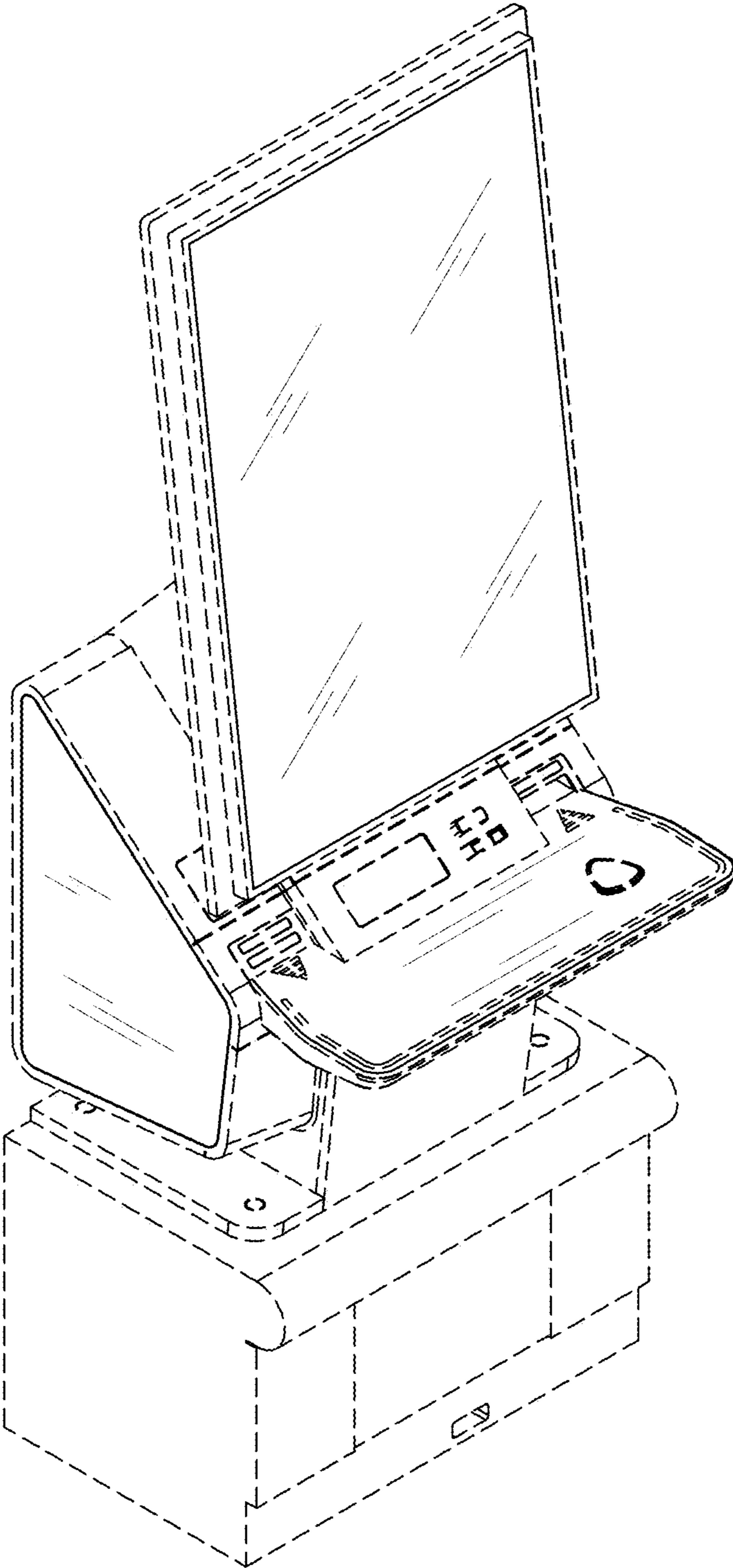


FIG. 1

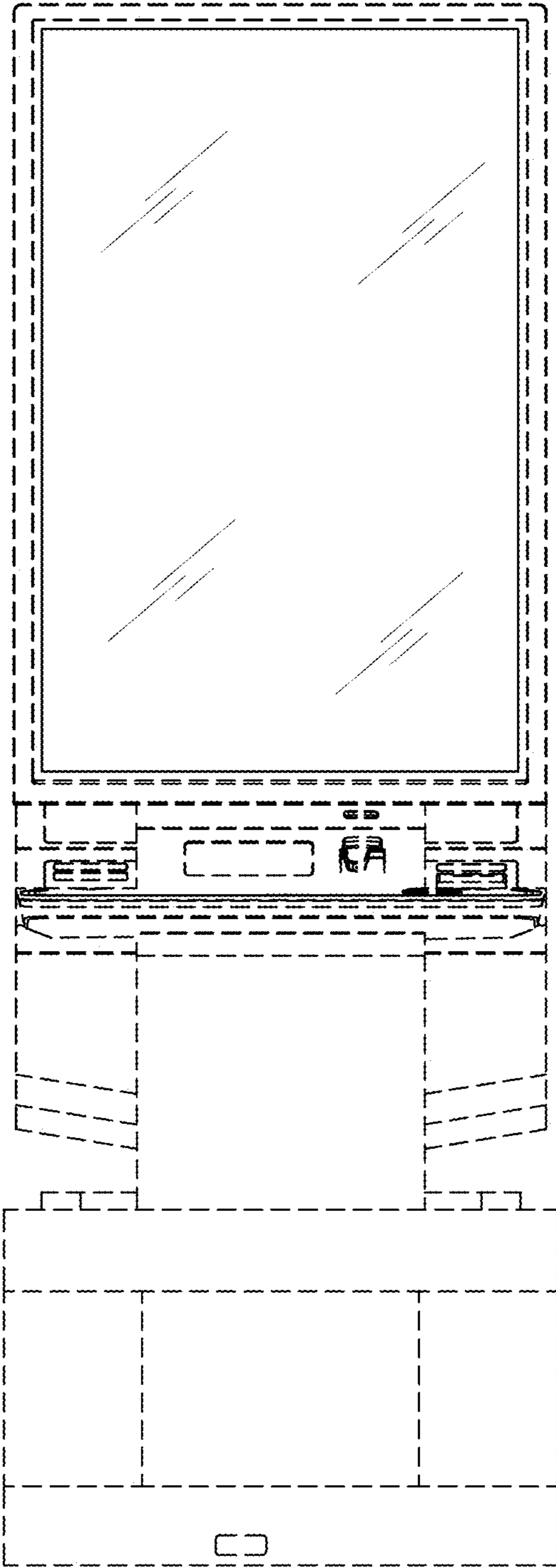


FIG. 2

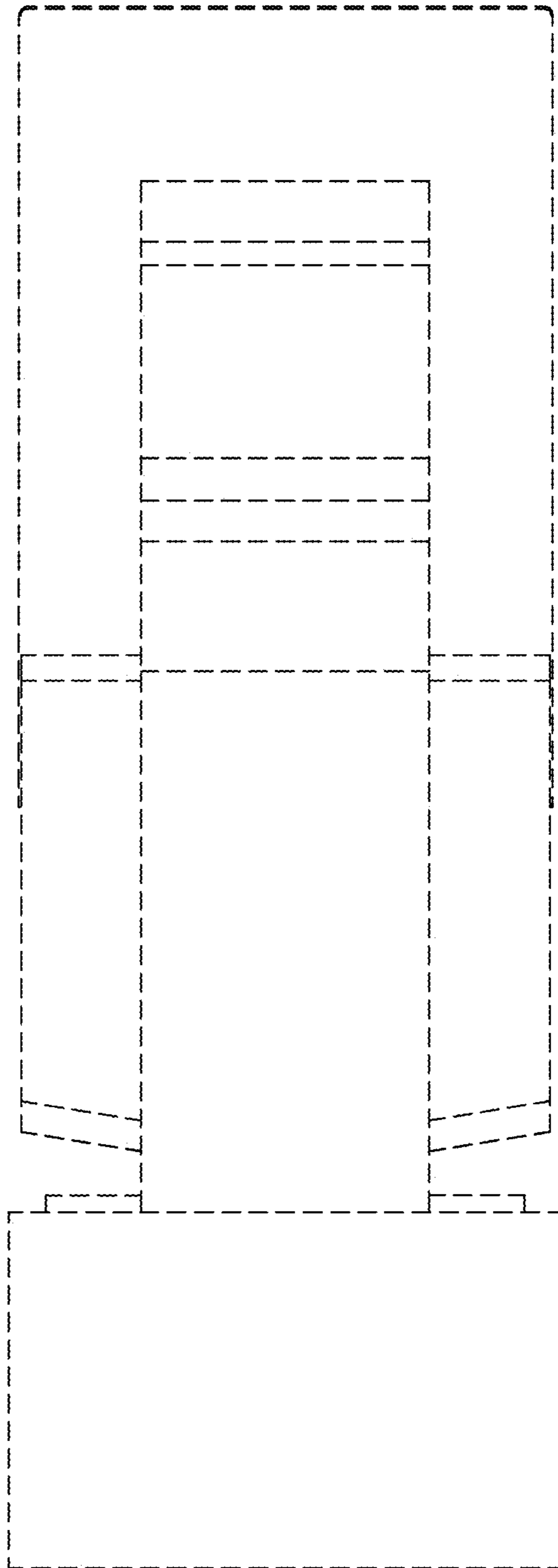


FIG. 3

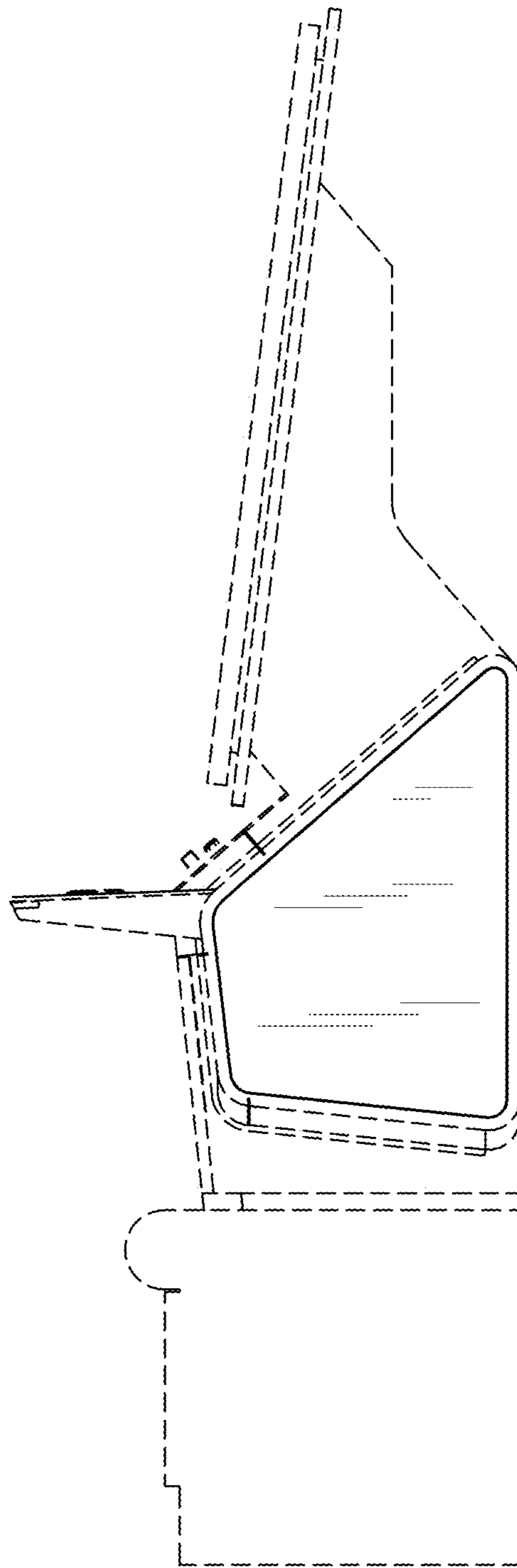


FIG. 4

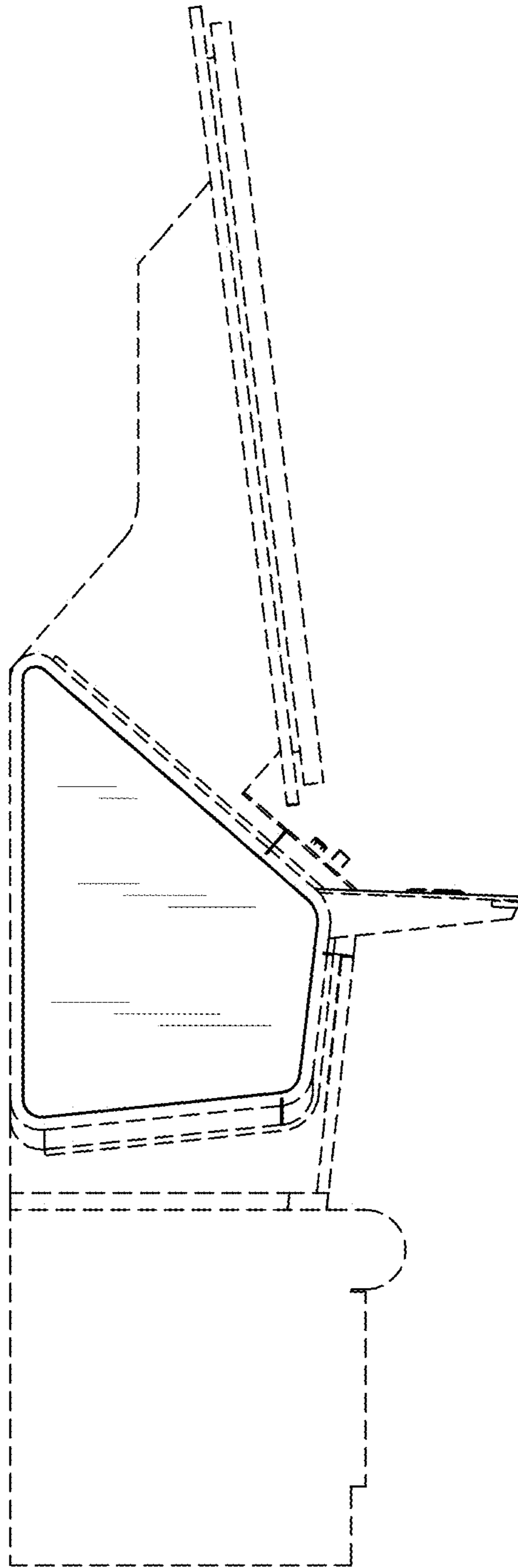


FIG. 5



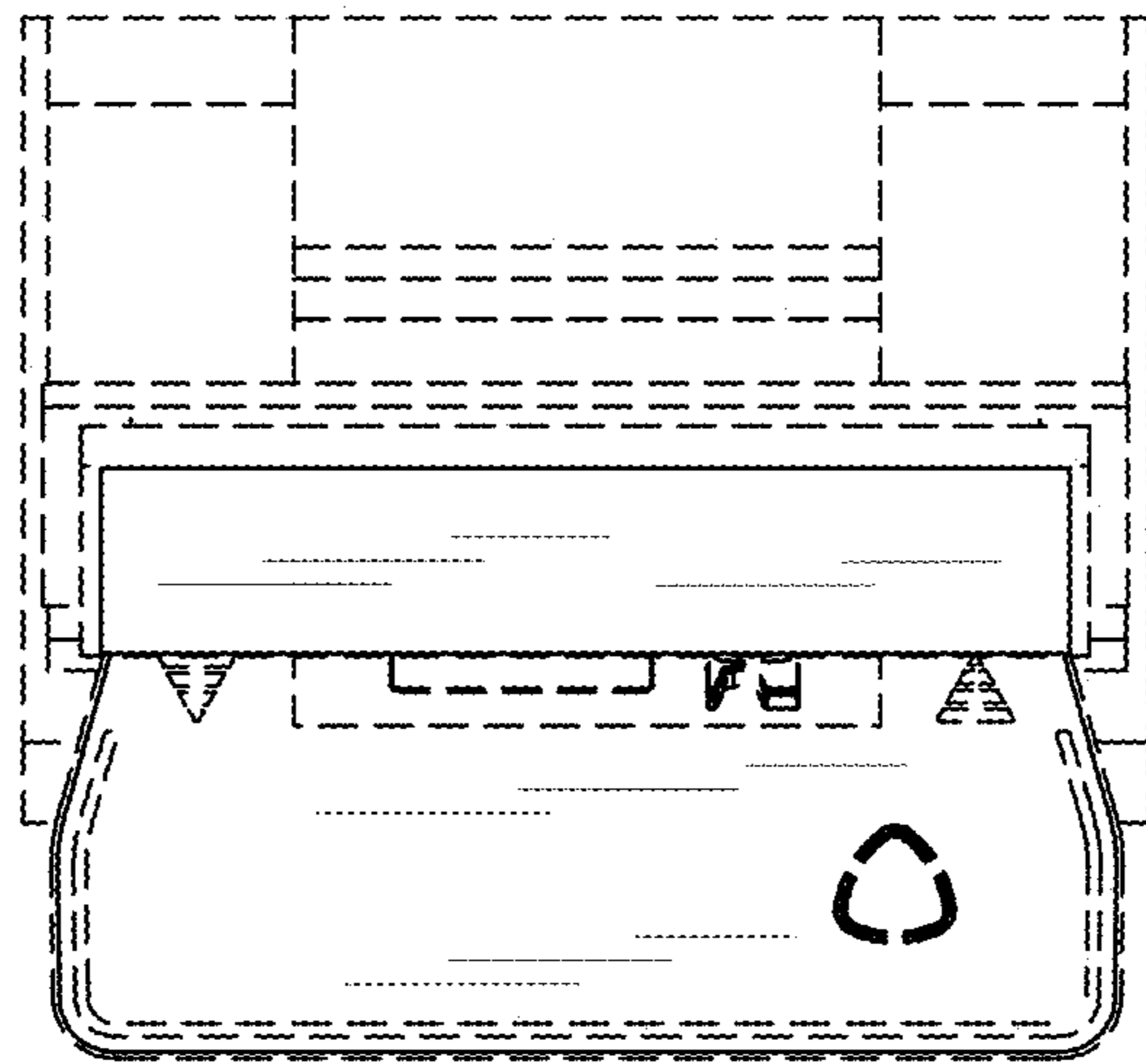


FIG. 6

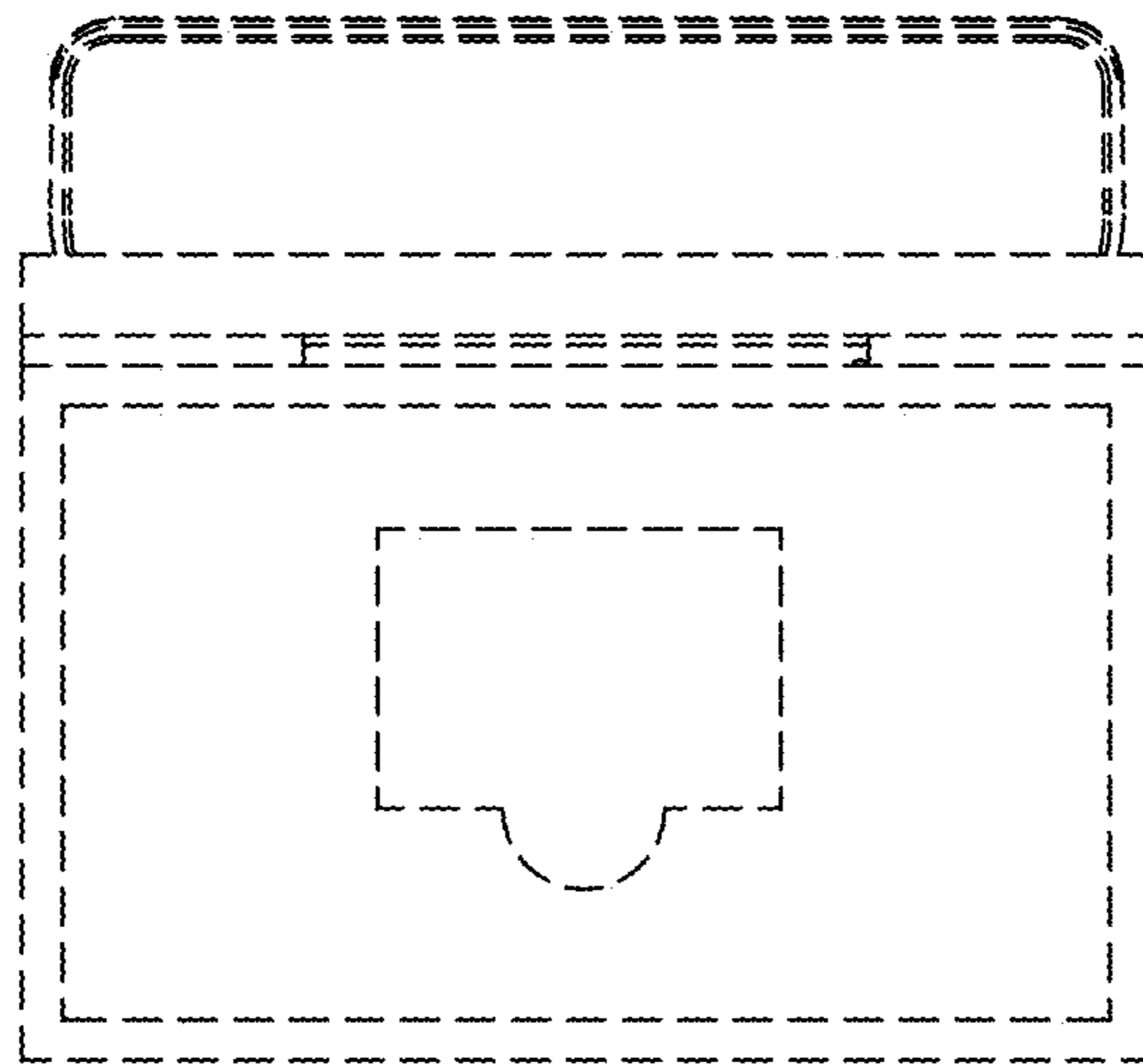


FIG. 7

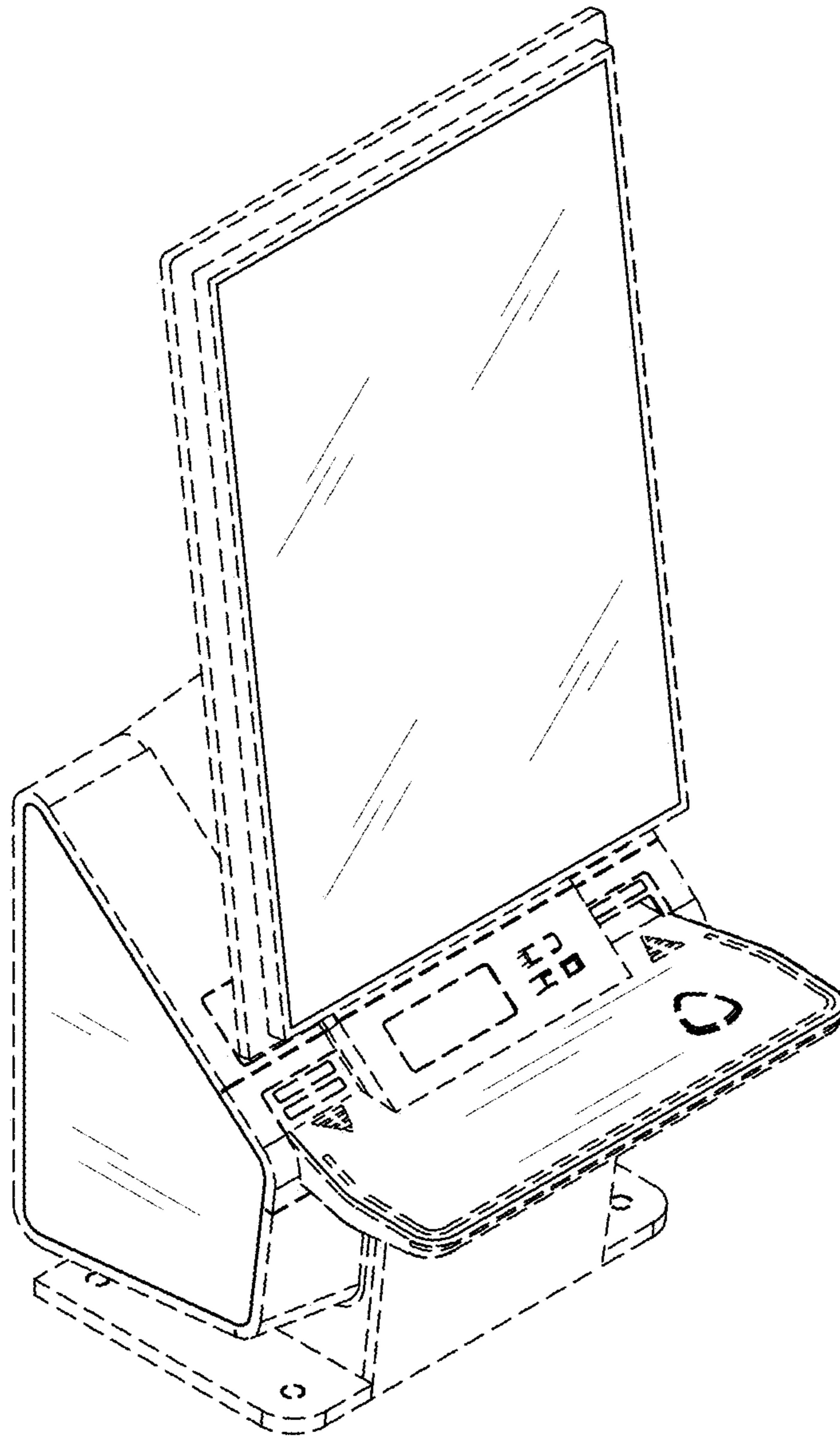


FIG. 8

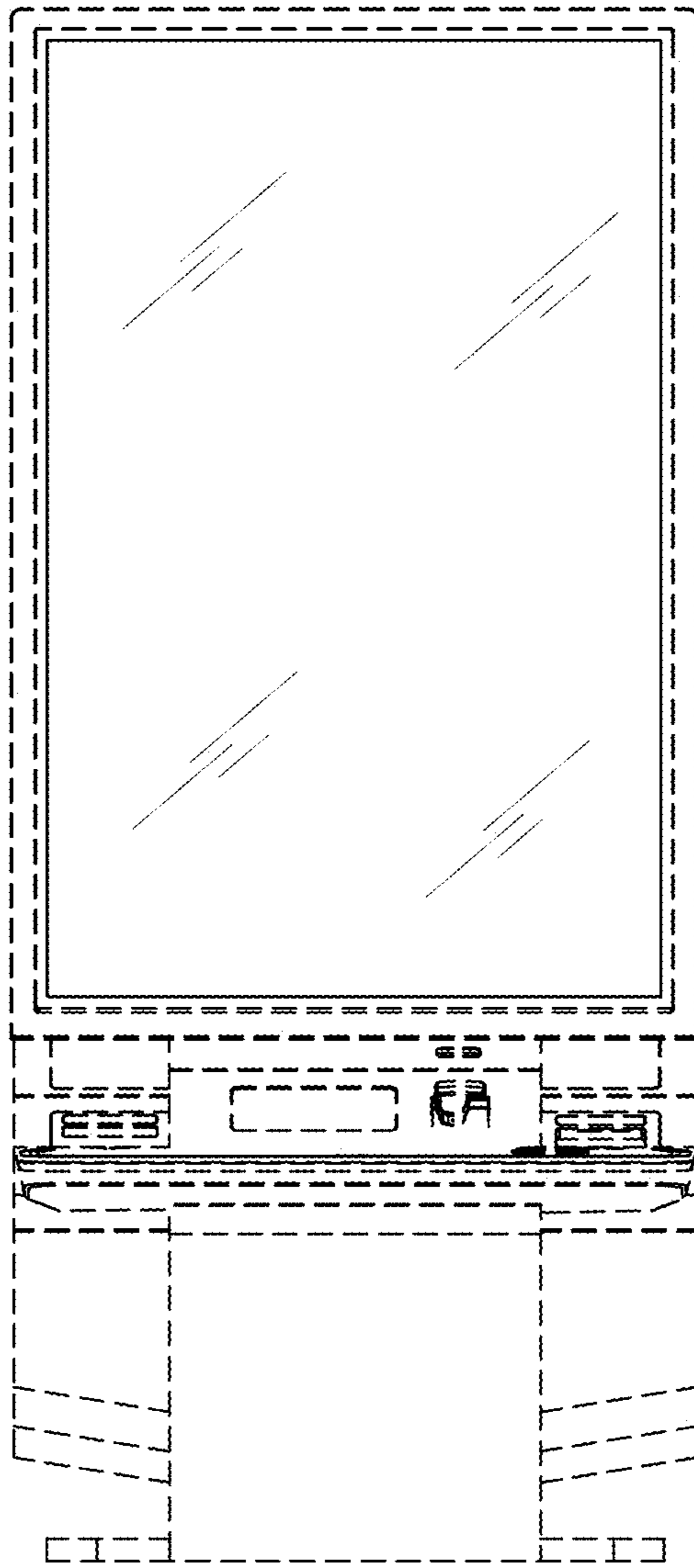


FIG. 9

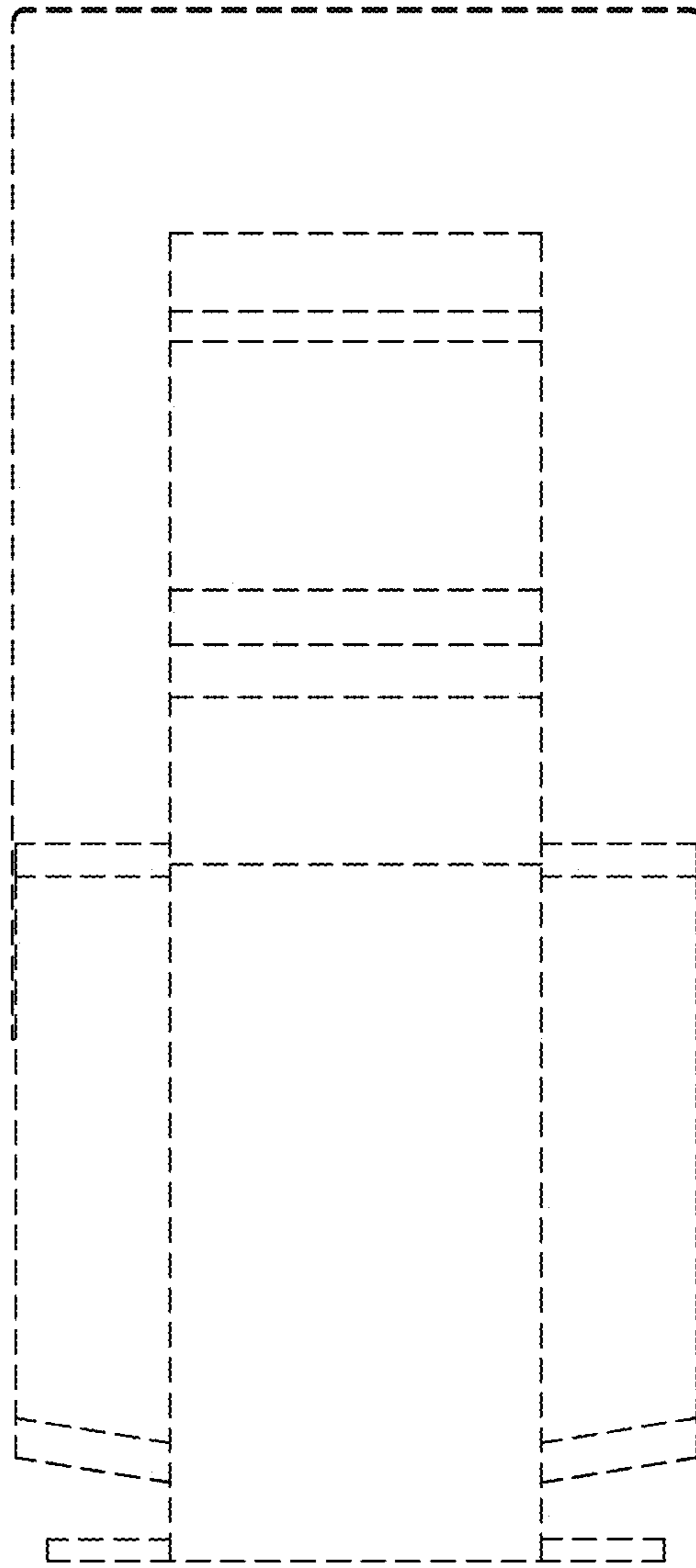


FIG. 10

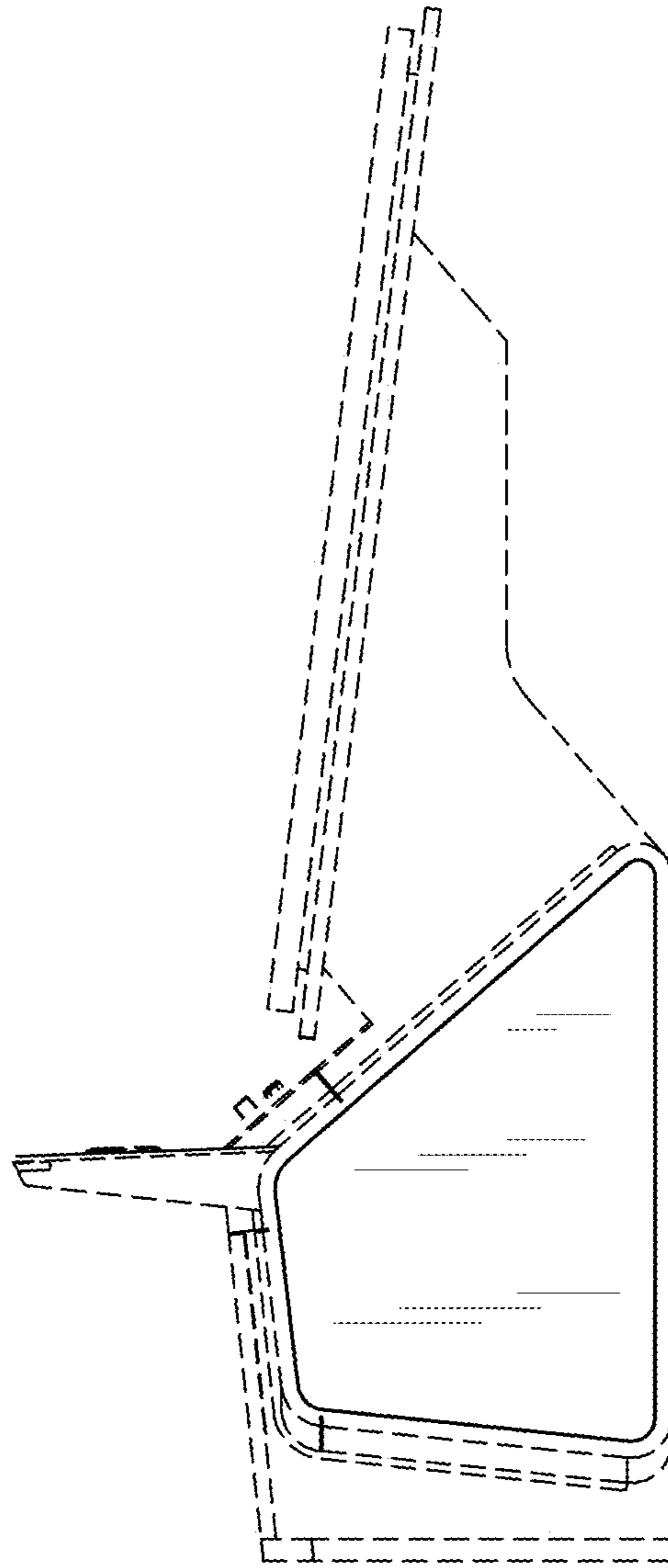


FIG. 11

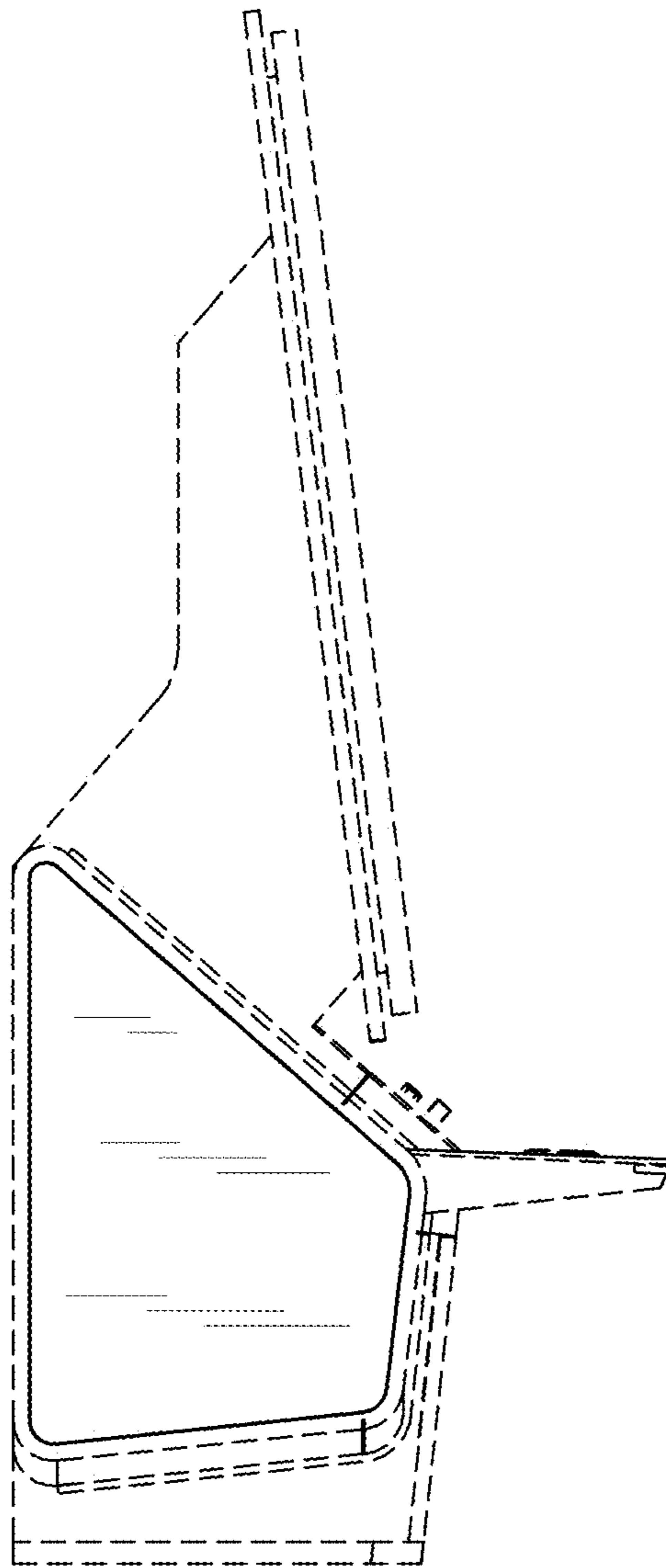


FIG. 12

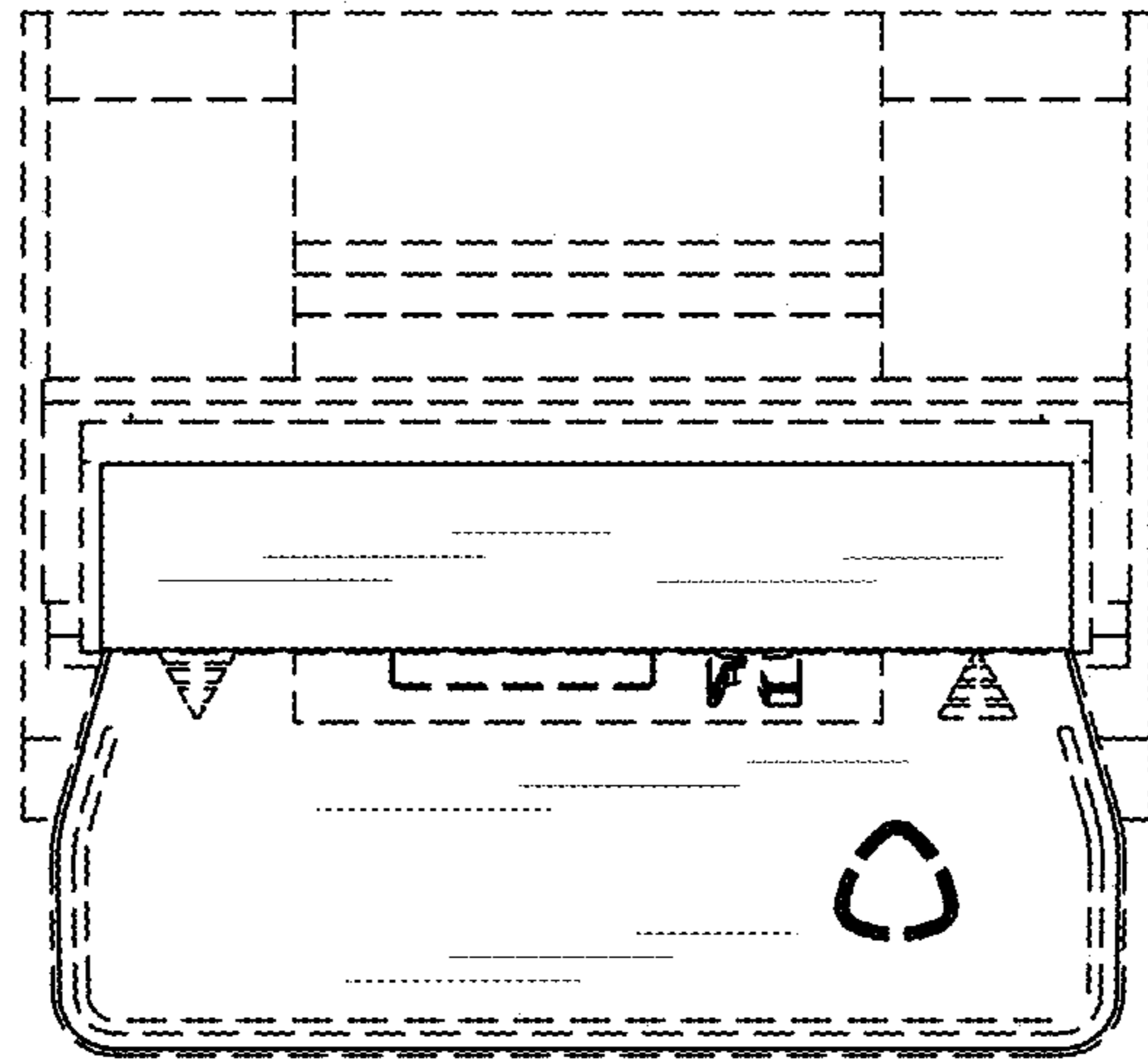


FIG. 13



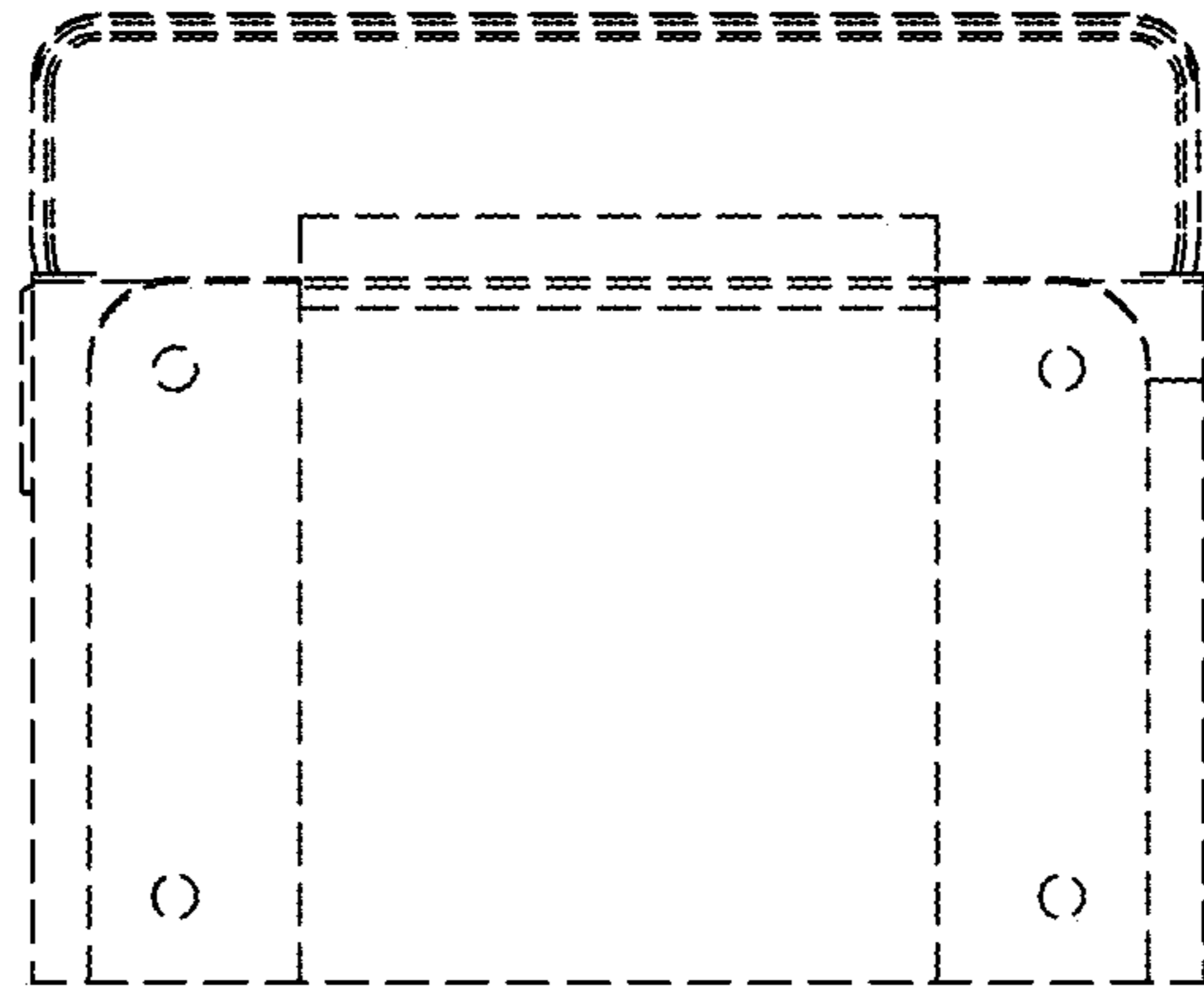


FIG. 14