



US00D907116S

(12) **United States Design Patent** (10) **Patent No.:** **US D907,116 S**  
**Struhl et al.** (45) **Date of Patent:** **\*\* Jan. 5, 2021**

(54) **SIGN**  
(71) Applicant: **SmartSign LLC**, Brooklyn, NY (US)  
(72) Inventors: **Clifford Struhl**, Syosset, NY (US);  
**Raymond M. Schneider**, Port  
Washington, NY (US)  
(73) Assignee: **SmartSign LLC**, Brooklyn, NY (US)  
(\*\*) Term: **15 Years**  
(21) Appl. No.: **29/678,869**  
(22) Filed: **Jan. 31, 2019**  
(51) **LOC (13) Cl.** ..... **20-01**  
(52) **U.S. Cl.**  
USPC ..... **D20/10**  
(58) **Field of Classification Search**  
USPC .... D11/40, 46, 48, 49, 51, 52, 61, 116, 133,  
D11/165, 166, 181, 182, 229; D20/10,  
D20/11, 12, 15, 16, 17, 19, 20, 23, 37,  
D20/40, 41, 42, 99  
CPC ... G09F 7/00; G09F 7/002; G09F 7/02; G09F  
7/04; G09F 7/06; G09F 7/708; G09F  
7/12; G09F 7/14; G09F 7/16; G09F  
2007/1843; G09F 2007/1873; G09F 9/30;  
G09F 13/00; G09F 13/16  
See application file for complete search history.

(56) **References Cited**  
**U.S. PATENT DOCUMENTS**  
4,253,260 A \* 3/1981 Maza ..... G09F 15/0062  
116/63 P  
4,298,186 A 11/1981 Glass  
4,796,369 A \* 1/1989 Hamann ..... E01F 9/688  
40/606.15  
5,046,885 A 9/1991 Thurston  
D371,807 S \* 7/1996 Mandell ..... D10/113.1  
(Continued)

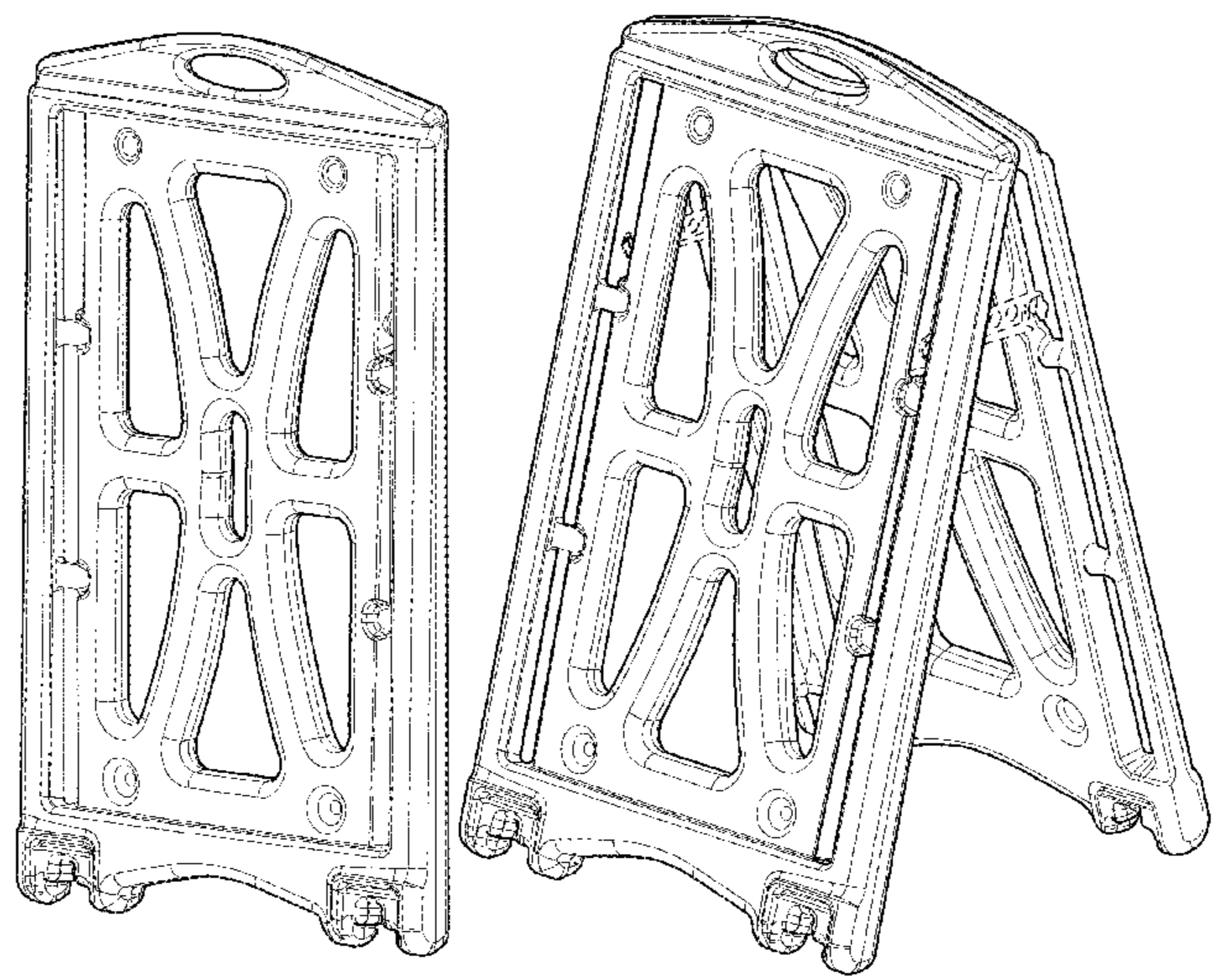
**OTHER PUBLICATIONS**  
BigBoss, posted at Smartsign.com, posted on Aug. 6, 2019, site  
visited Jul. 14, 2020. online, available from internet: [https://www.  
smartsign.com/sidewalk-signs](https://www.smartsign.com/sidewalk-signs) (Year: 2019).\*

*Primary Examiner* — Mary Ann Calabrese  
*Assistant Examiner* — Catherine Ho  
(74) *Attorney, Agent, or Firm* — Dilworth & Barrese,  
LLP

(57) **CLAIM**  
We claim the ornamental design for a sign, as shown and  
described.

**DESCRIPTION**  
FIG. 1 is a right front perspective view of the first embodi-  
ment of a sign showing our new design;  
FIG. 2 is a front elevation view thereof;  
FIG. 3 is a rear elevation view thereof;  
FIG. 4 is a right side elevation view thereof;  
FIG. 5 is a left side elevation view thereof;  
FIG. 6 is a top plan view thereof;  
FIG. 7 is a bottom plan view thereof;  
FIG. 8 is a right front perspective view of the second  
embodiment of a sign shown in a folded position;  
FIG. 9 is a front elevation view thereof, the rear elevation  
view being a mirror image thereof;  
FIG. 10 is a right side elevation view thereof, the left side  
elevation view being a mirror image thereof;  
FIG. 11 is a top plan view thereof;  
FIG. 12 is a bottom plan thereof;  
FIG. 13 is a right front perspective view of a sign shown in  
an open position;  
FIG. 14 is a front elevation view thereof, the rear elevation  
view being a mirror image thereof;  
FIG. 15 is a right side elevation view thereof, the left side  
elevation view being a mirror image thereof;  
FIG. 16 is a top plan view thereof; and,  
FIG. 17 is a bottom plan view thereof.  
The broken line portion of the figure drawings is included to  
shown portions of of the article that form no part of the  
claimed design.

**1 Claim, 14 Drawing Sheets**



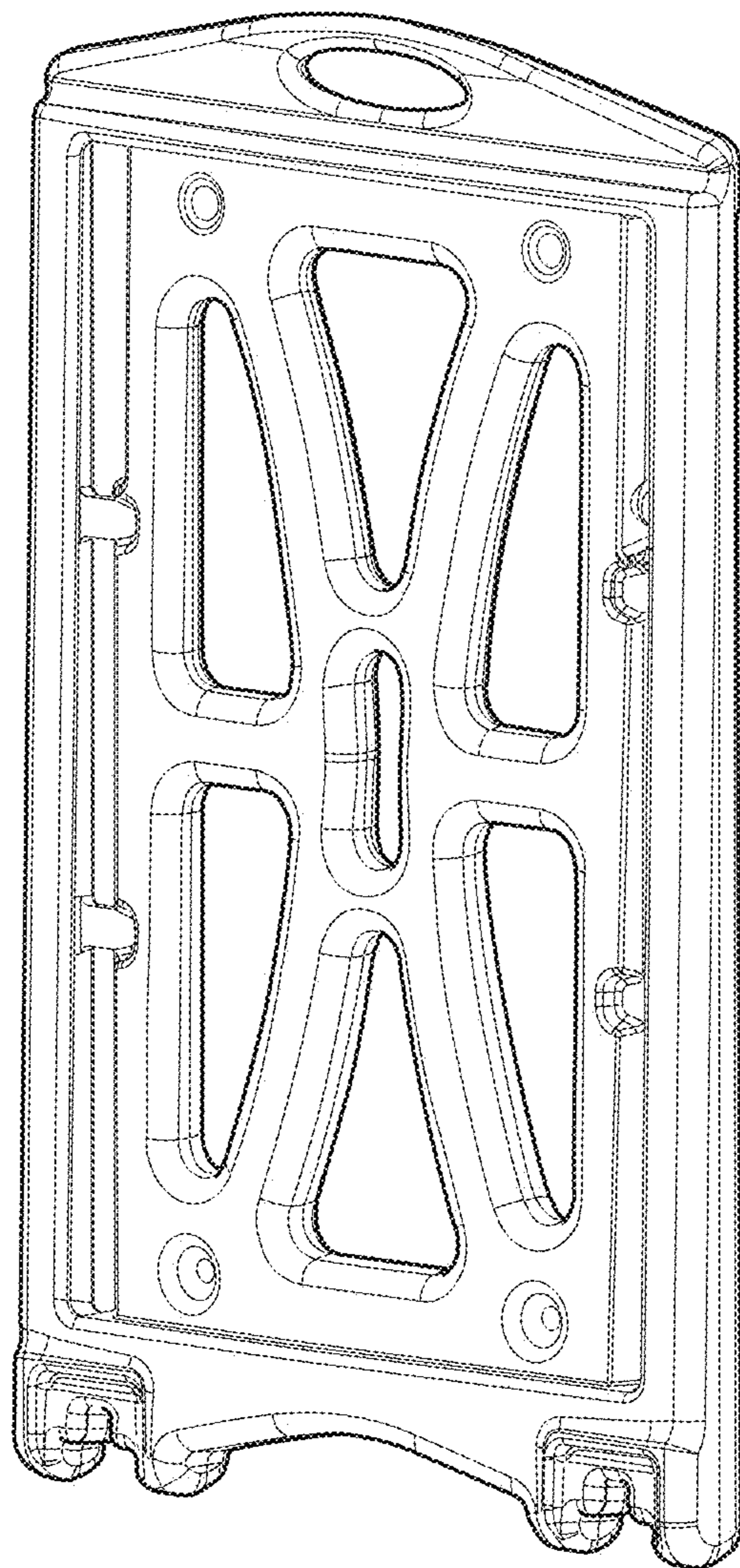
(56)

**References Cited**

U.S. PATENT DOCUMENTS

D395,334	S *	6/1998	Eberle .....	D10/109.1
D405,708	S *	2/1999	Liu .....	D10/113.4
5,964,053	A	10/1999	Liu	
6,003,257	A *	12/1999	Stokes .....	G09F 15/0062 40/455
6,131,320	A *	10/2000	Eberle .....	G09F 15/0062 40/606.18
6,561,120	B1	5/2003	Glass et al.	
7,302,440	B2	11/2007	Glass	
7,337,569	B2	3/2008	Glass	
7,484,325	B2	2/2009	Benedict et al.	
7,562,477	B2 *	7/2009	Kurple .....	G09F 15/0062 116/63 P
7,748,151	B2	7/2010	Glass	
7,886,467	B2	2/2011	Glass	
D748,729	S *	2/2016	Thomaselli .....	D20/10
9,286,814	B1	3/2016	Thomaselli et al.	
D801,136	S *	10/2017	Campbell .....	D8/1
D868,161	S *	11/2019	Stokes .....	D20/10
10,504,390	B2 *	12/2019	Howell .....	G09F 15/0062
2008/0216370	A1 *	9/2008	Glass .....	G09F 15/0062 40/610

\* cited by examiner



**FIG. 1**

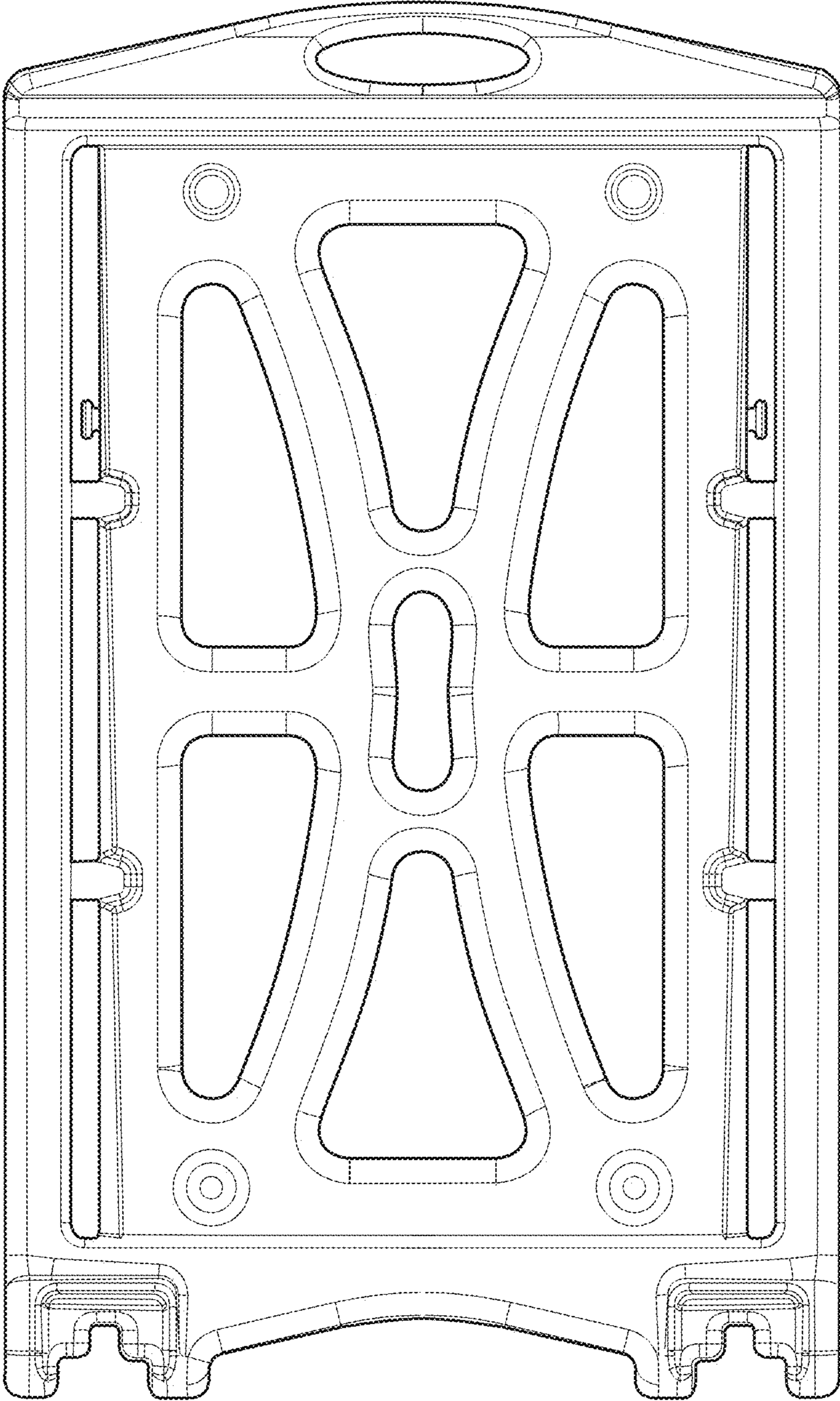


FIG. 2

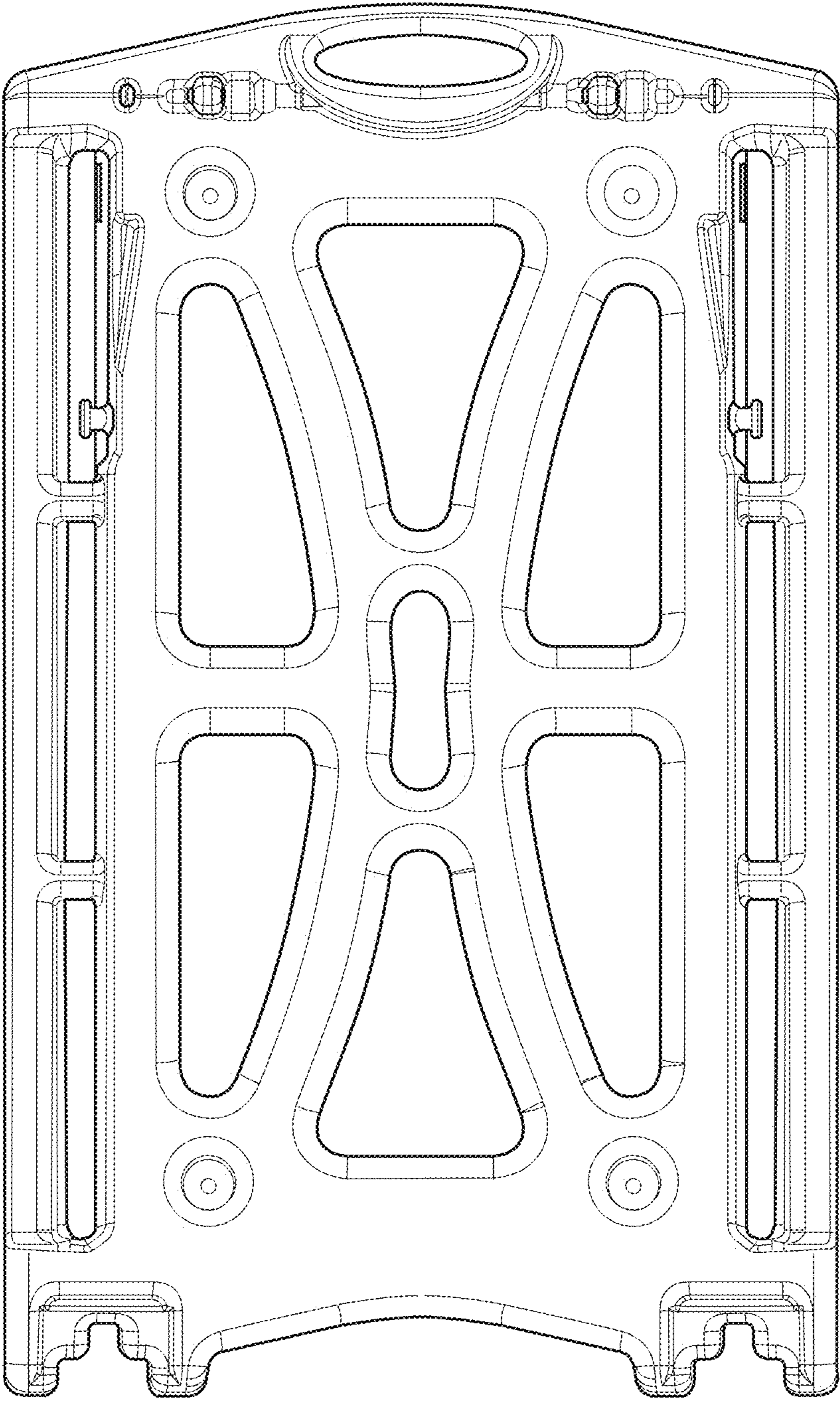
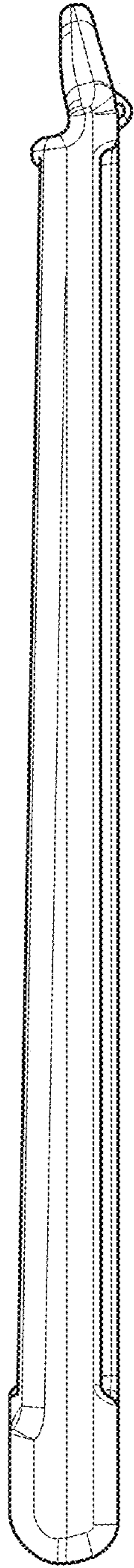
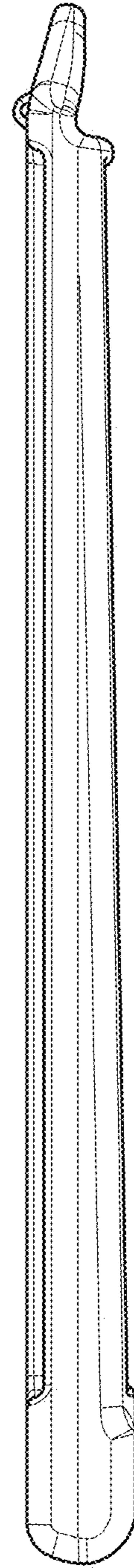


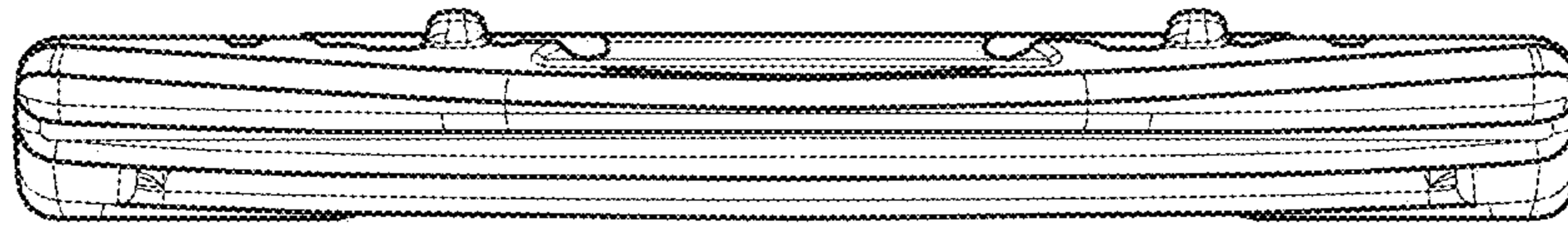
FIG. 3



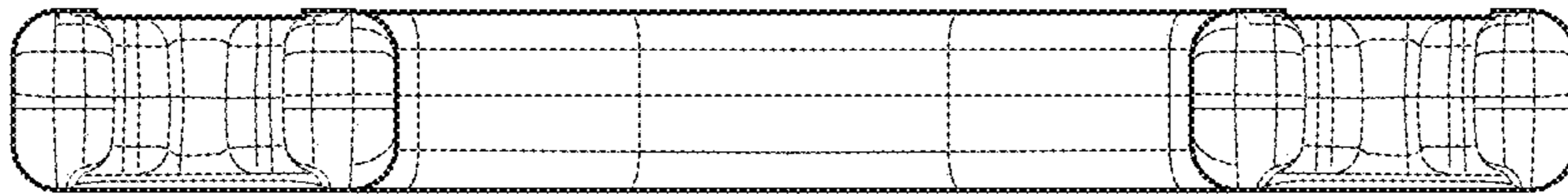
**FIG. 4**



**FIG. 5**



**FIG. 6**



**FIG. 7**

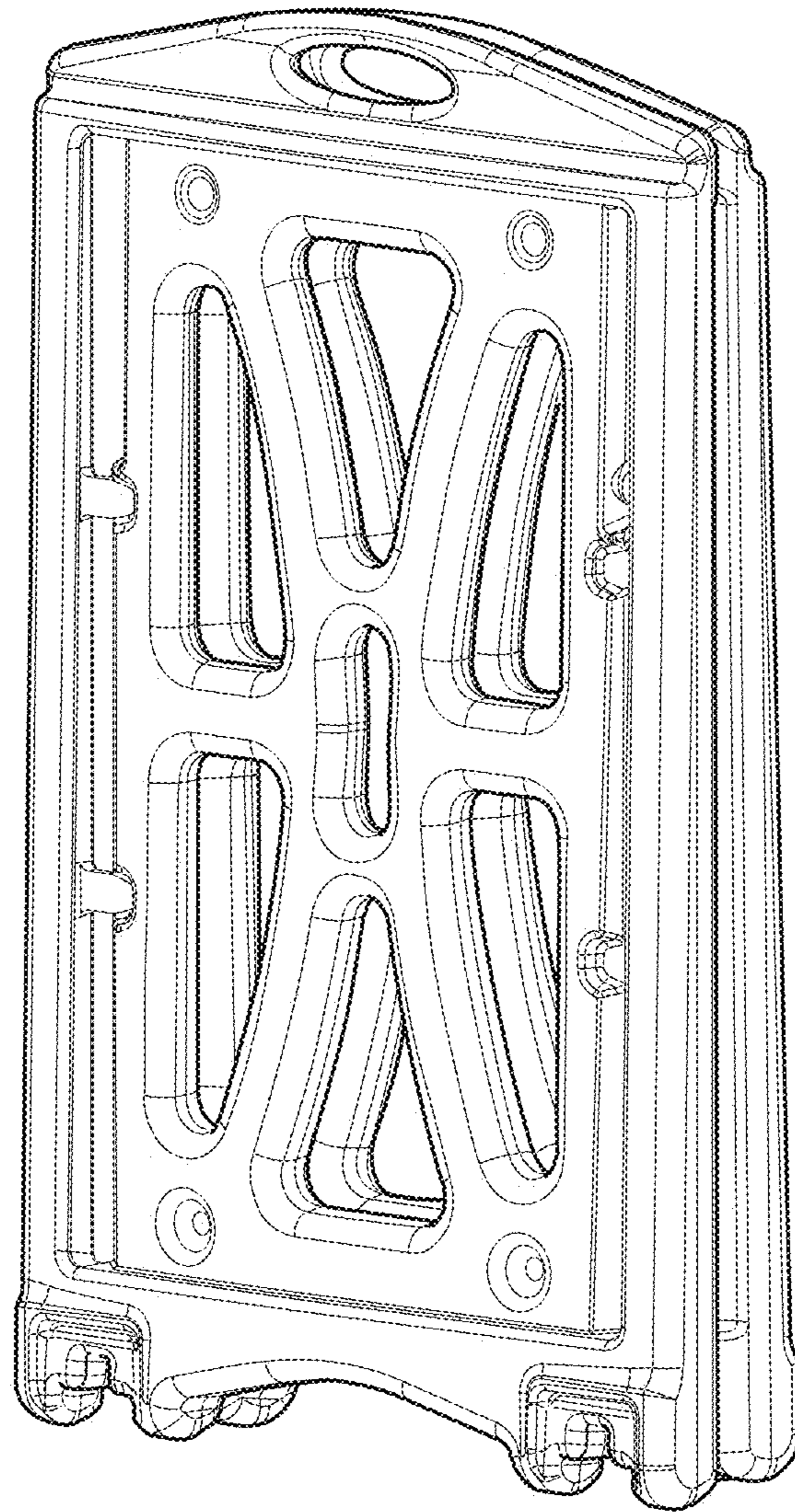


FIG. 8



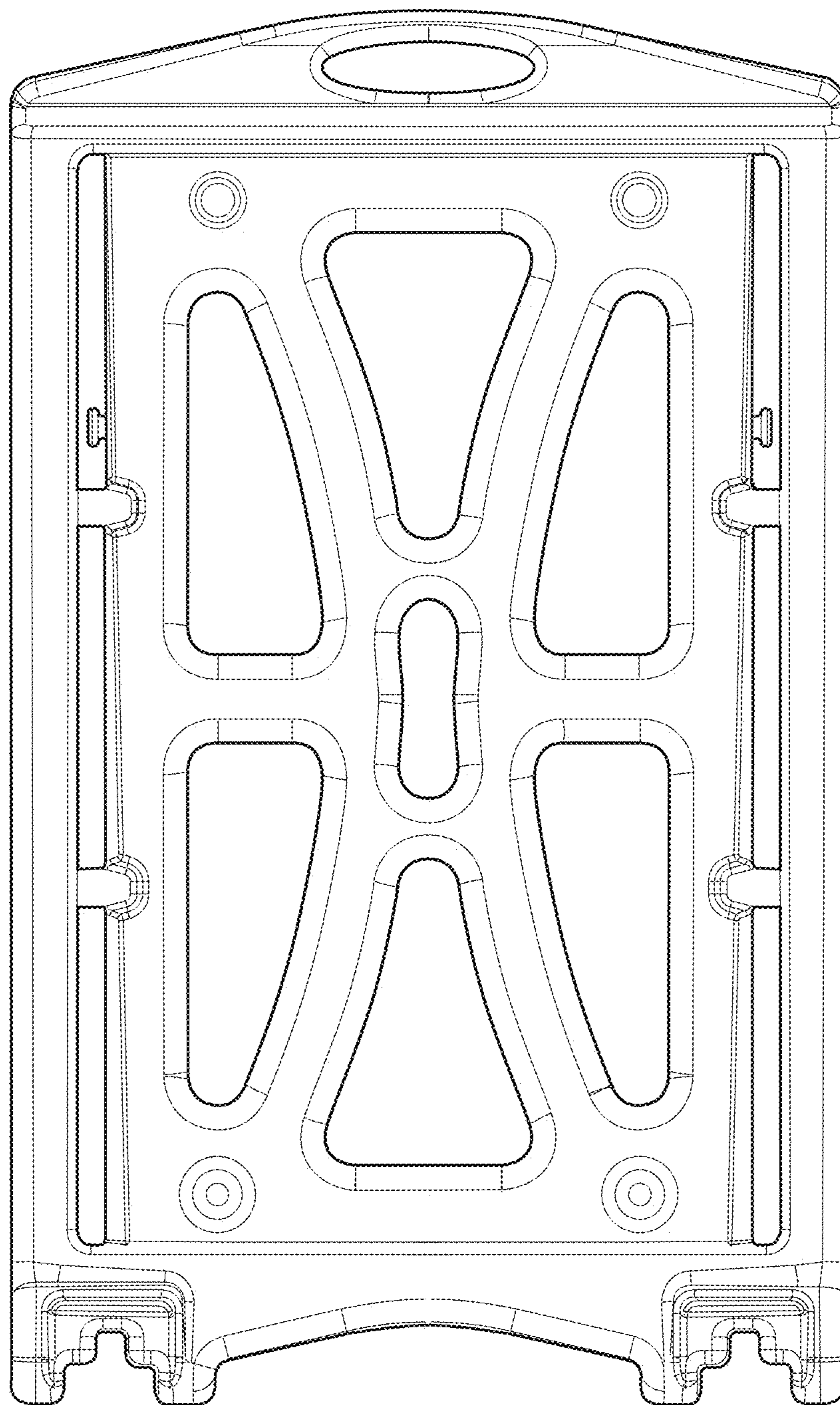
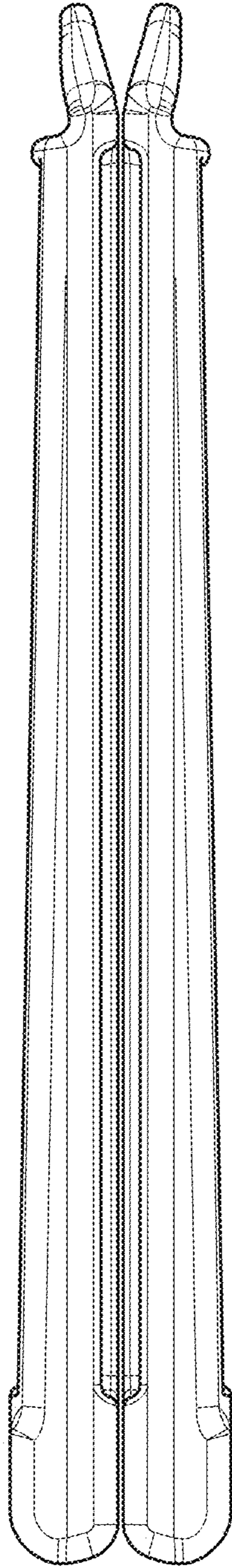
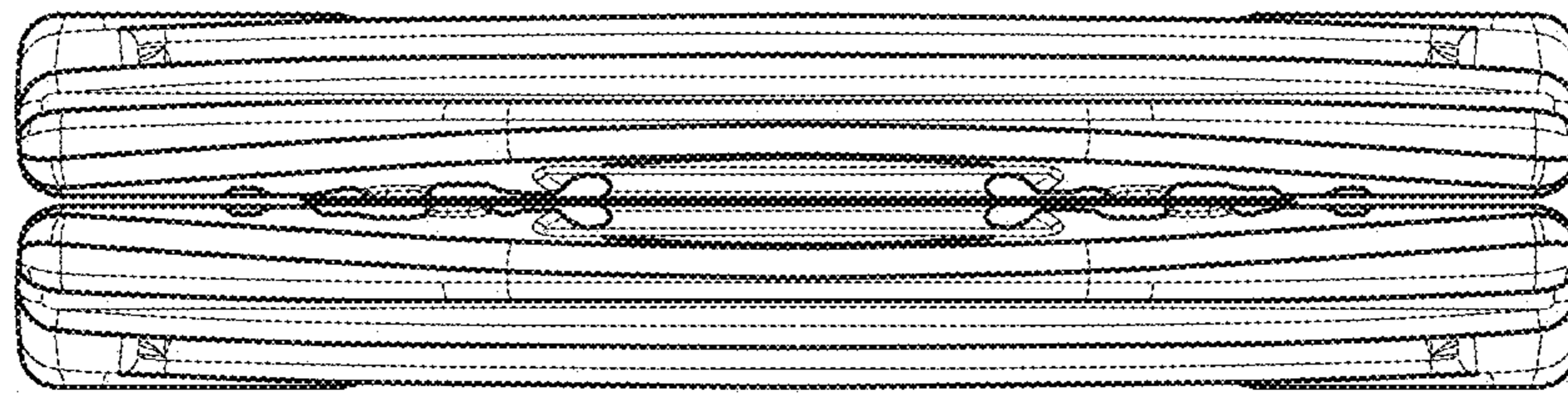


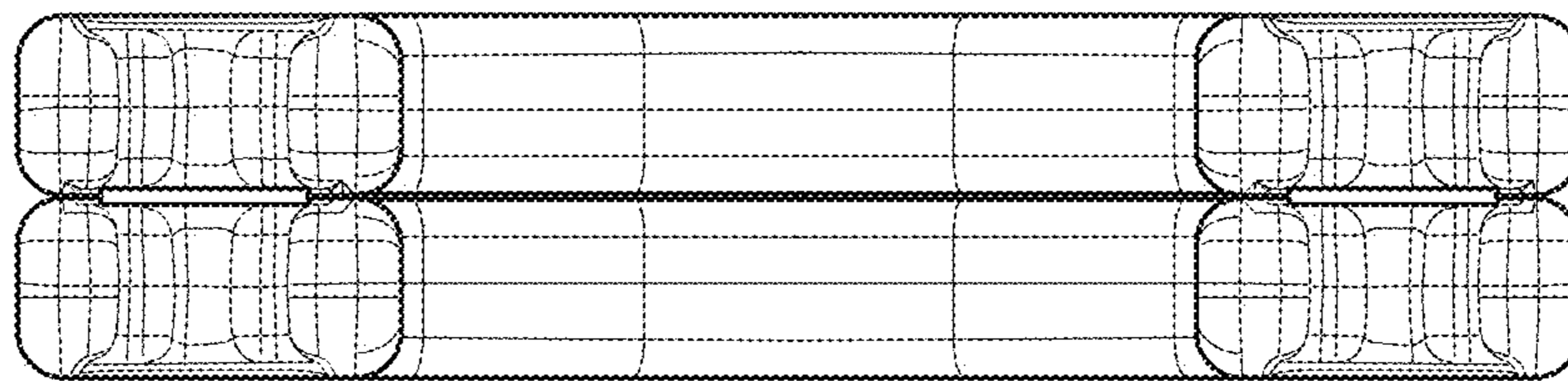
FIG. 9



**FIG. 10**



**FIG. 11**



**FIG. 12**

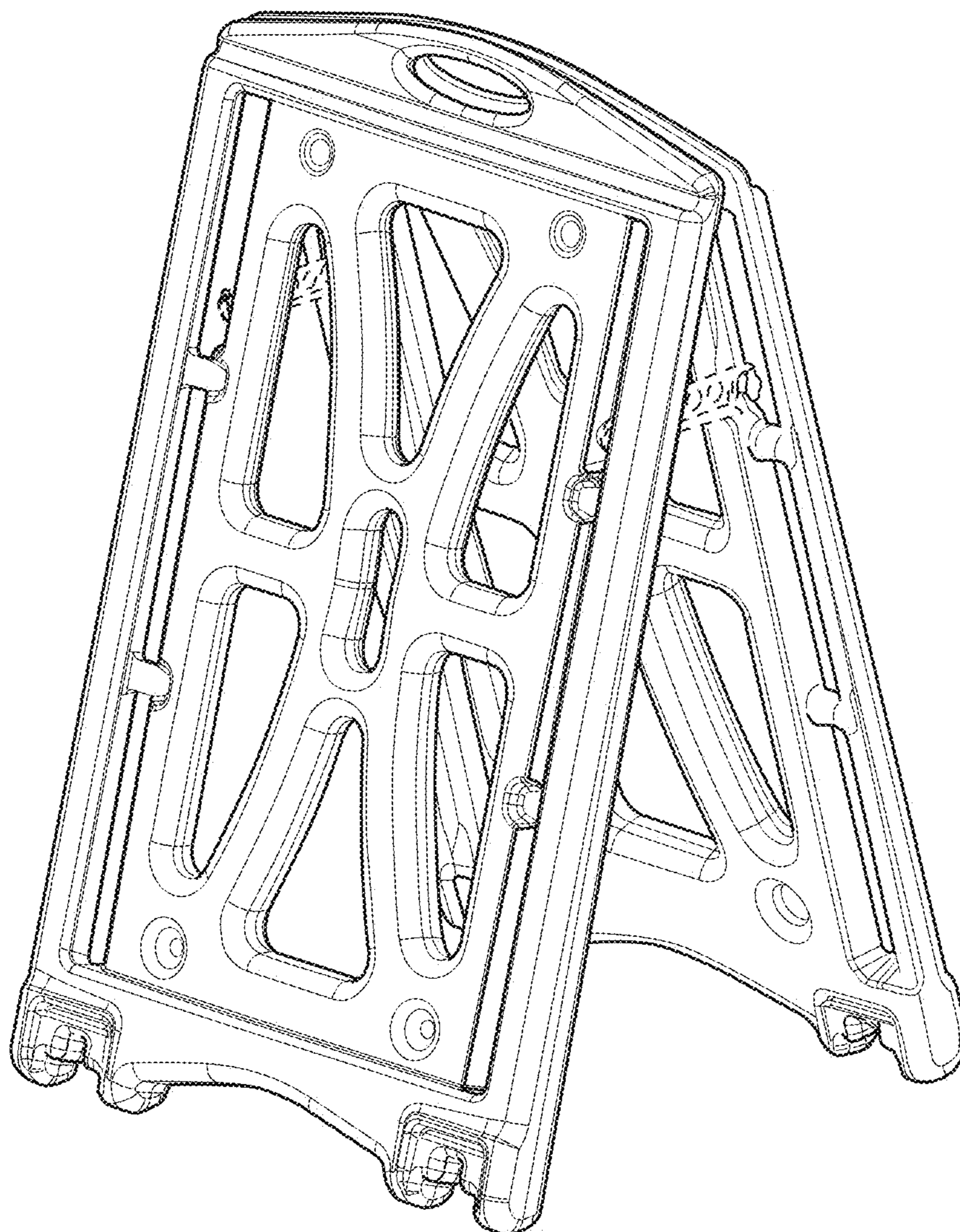


FIG. 13

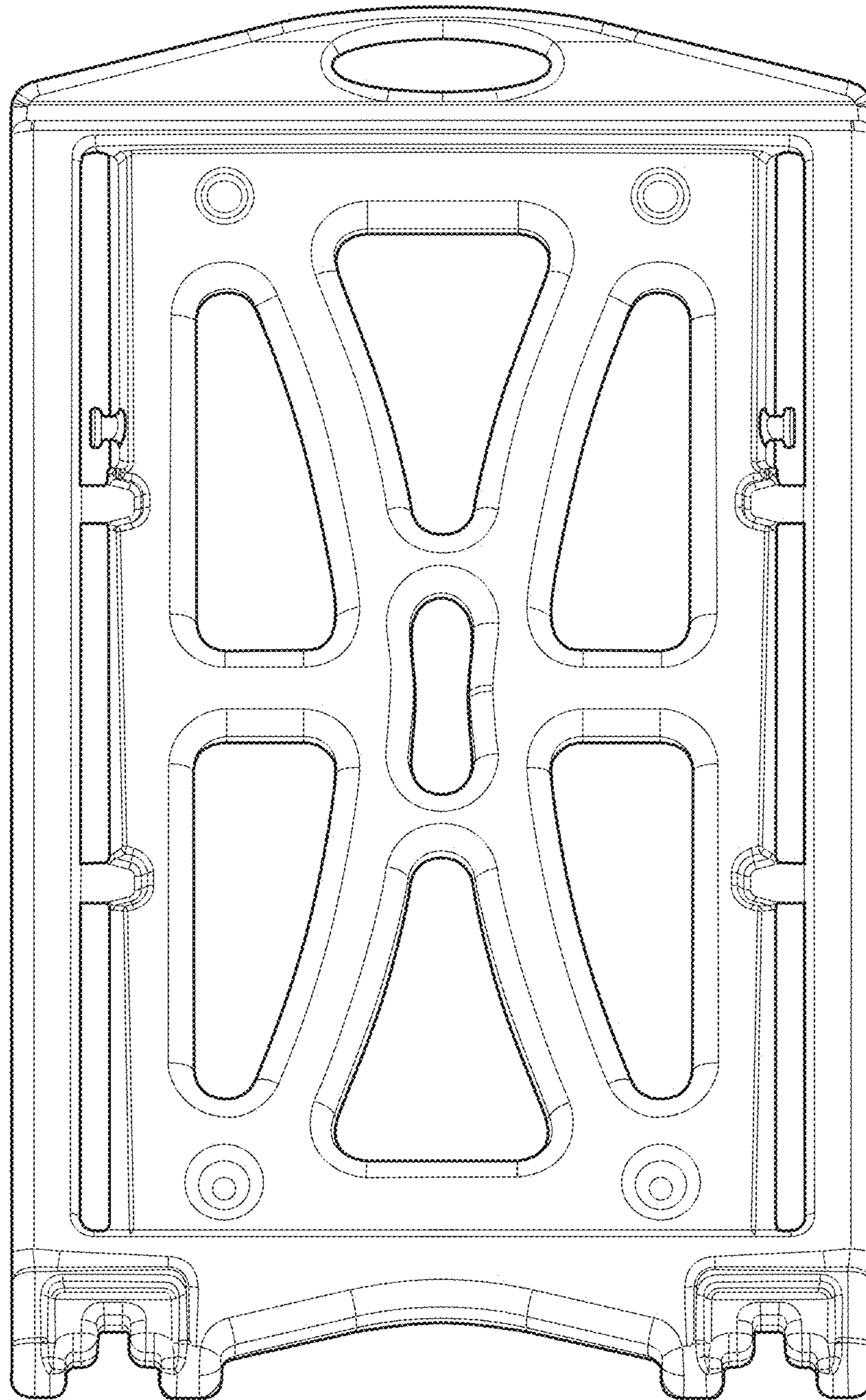
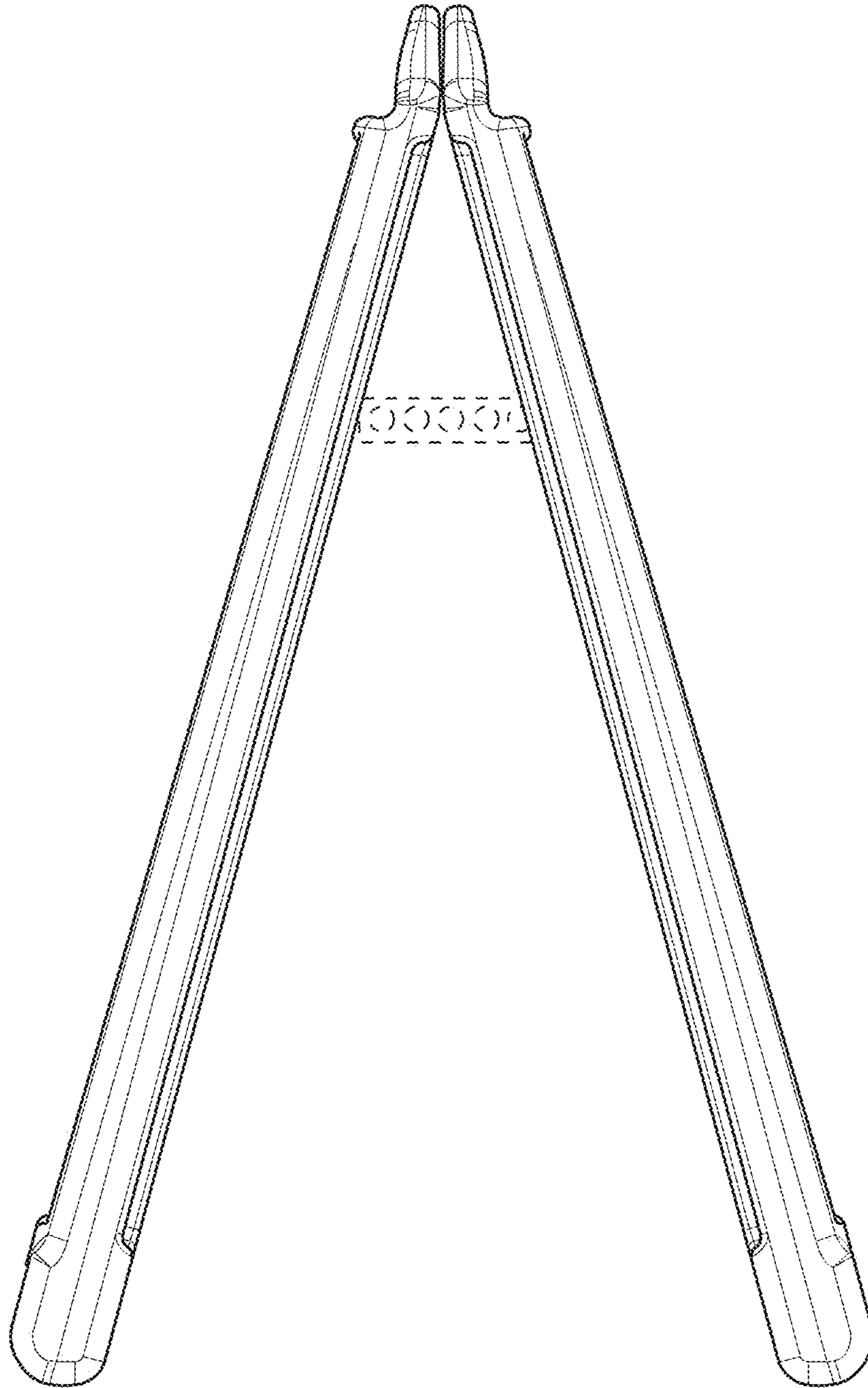


FIG. 14



**FIG. 15**

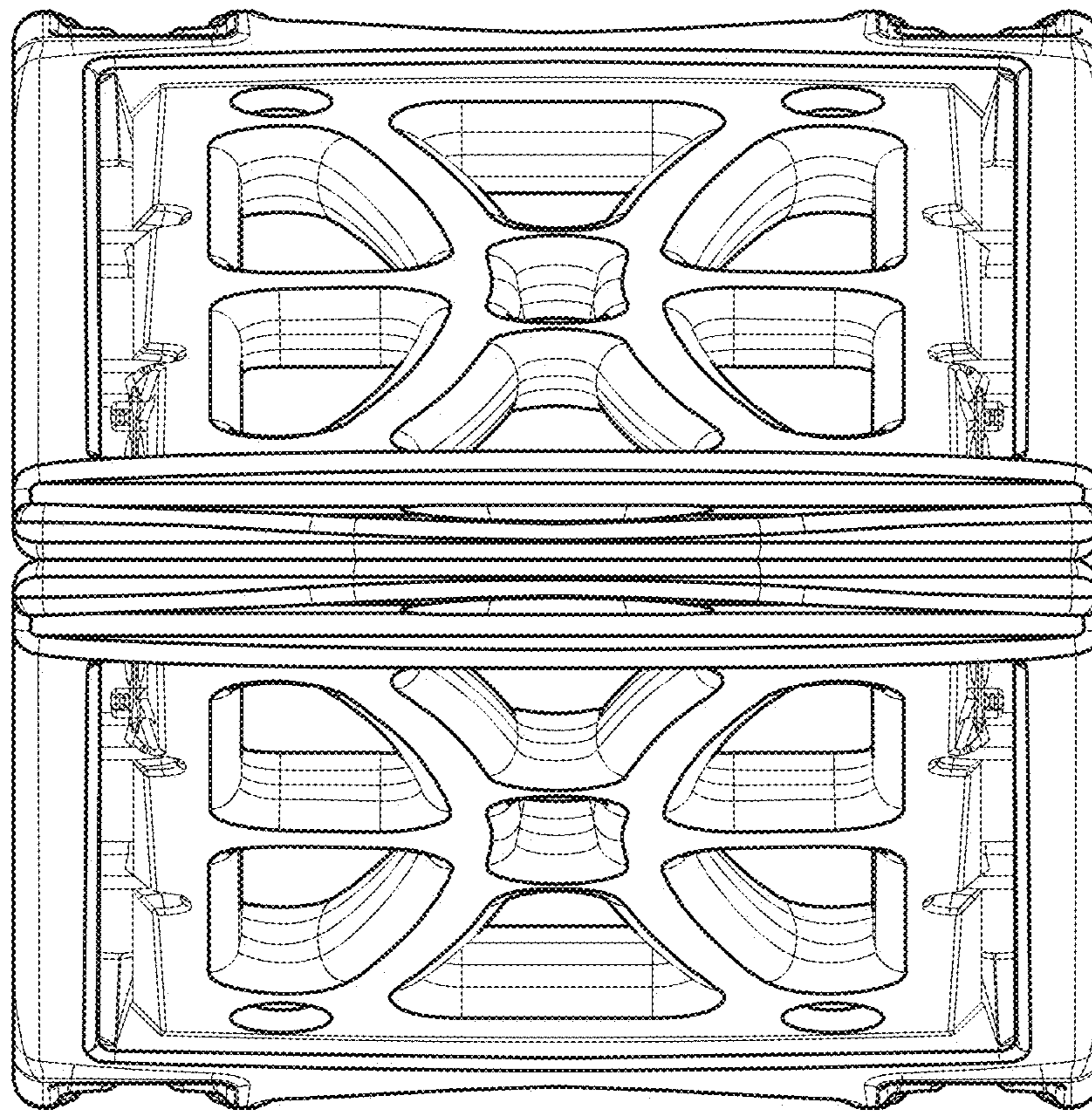
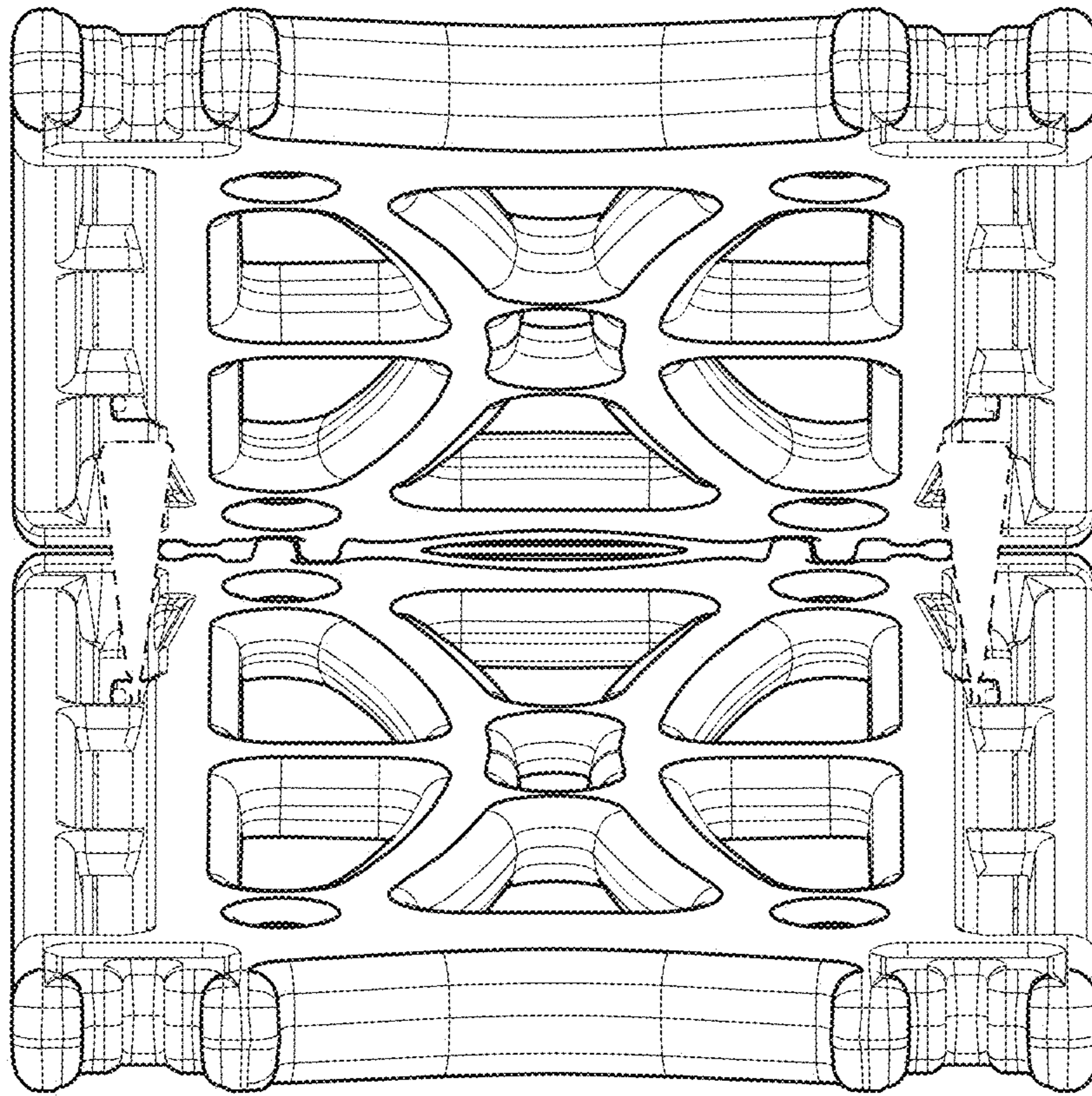


FIG. 16



**FIG. 17**