



US00D907114S

(12) **United States Design Patent** (10) **Patent No.:** **US D907,114 S**  
**Hernandez et al.** (45) **Date of Patent:** **\*\* Jan. 5, 2021**

(54) **DISPENSER**  
(71) Applicant: **3M INNOVATIVE PROPERTIES COMPANY**, St. Paul, MN (US)  
(72) Inventors: **Alonso M. Hernandez**, St. Paul, MN (US); **Aaron P. White**, Menomonie, WI (US)  
(73) Assignee: **3M INNOVATIVE PROPERTIES COMPANY**, St. Paul, MN (US)  
(\*\*) Term: **15 Years**  
(21) Appl. No.: **29/687,690**  
(22) Filed: **Apr. 15, 2019**  
(51) **LOC (13) Cl.** ..... **11-02**  
(52) **U.S. Cl.**  
USPC ..... **D19/86**  
(58) **Field of Classification Search**  
USPC ..... D19/75-80, 86-92; D3/304, 306, 312, D3/313; D6/566, 568, 570, 675.2, 675.5; D11/124, 125, 127, 134; D9/730, 734  
CPC ..... B42D 5/005; B42D 5/006; B43M 99/00; B43M 99/001; B43M 99/006; B43M 99/008; B43M 99/009; A47B 63/00; A47B 63/10; A47B 63/14; B42F 7/00; A47F 7/142  
See application file for complete search history.

D357,938 S \* 5/1995 Wolff ..... D19/86  
D555,731 S \* 11/2007 Nash ..... D19/86  
D566,172 S \* 4/2008 Gonzalez ..... D19/26  
D596,626 S \* 7/2009 Andre ..... D14/240  
D601,583 S \* 10/2009 Andre ..... D14/496  
7,721,913 B2 \* 5/2010 Nash ..... B42D 5/005  
221/60  
D620,953 S \* 8/2010 Andre ..... D14/496  
D657,784 S \* 4/2012 Akana ..... D14/314  
D662,491 S \* 6/2012 Andre ..... D14/217  
D685,392 S \* 7/2013 Chamness ..... D14/496  
D686,201 S \* 7/2013 Lee ..... D14/314  
D686,595 S \* 7/2013 Andre ..... D14/217  
D692,489 S \* 10/2013 De Bellis ..... D19/86  
D709,553 S 7/2014 Yao  
D718,386 S 11/2014 Packard  
D719,561 S \* 12/2014 Akana ..... D14/314  
D726,690 S \* 4/2015 Andre ..... D14/217

(Continued)

*Primary Examiner* — Elizabeth A. Albert  
(74) *Attorney, Agent, or Firm* — Eric E. Silverman

(57) **CLAIM**

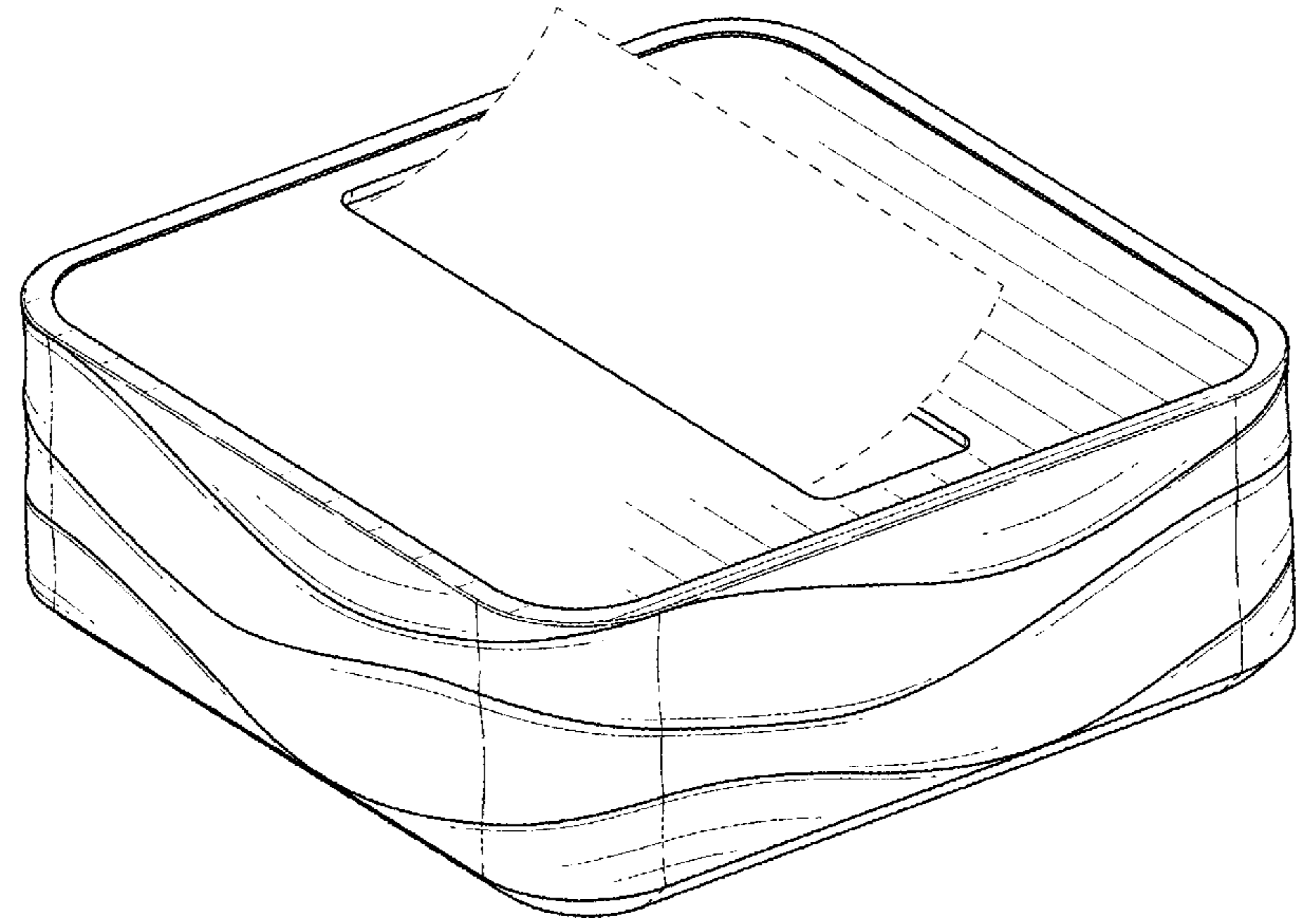
The ornamental design for a dispenser, as shown and described.

**DESCRIPTION**

FIG. 1 is a perspective view showing a new design for a dispenser;  
FIG. 2 is a front view thereof, a rear view being a mirror image thereof;  
FIG. 3 is a left side view thereof, a right side view being a mirror image thereof;  
FIG. 4 is a top view thereof;  
FIG. 5 is a bottom view thereof; and,  
FIG. 6 is a perspective view thereof showing the Dispenser with a note.  
The portions of the dispenser in FIGS. 1-6 shown in broken lines are included to show features that form no part of the claimed design.

**1 Claim, 6 Drawing Sheets**

(56) **References Cited**  
U.S. PATENT DOCUMENTS  
2,537,050 A \* 1/1951 Gluck ..... A47K 10/426  
220/480  
5,067,628 A \* 11/1991 Evenson ..... B42D 5/005  
221/52  
D339,823 S \* 9/1993 Evenson ..... D19/75  
5,363,985 A \* 11/1994 Cornell ..... B42D 5/005  
221/46  
D353,518 S \* 12/1994 Cautereels ..... D30/129



(56)

**References Cited**

U.S. PATENT DOCUMENTS

D757,710	S	*	5/2016	Donachy	.....	D14/314
D759,012	S	*	6/2016	Golden	.....	D14/358
D768,607	S	*	10/2016	Altonen	.....	D14/240
D780,731	S	*	3/2017	Kim	.....	D14/242
D794,019	S	*	8/2017	Kusano	.....	D14/358
D823,943	S		7/2018	Turner		
D824,349	S	*	7/2018	Kim	.....	D14/125
D831,646	S	*	10/2018	Kusano	.....	D14/358
D833,329	S	*	11/2018	Ryan	.....	D11/153
D837,666	S	*	1/2019	Butler	.....	D10/49
D879,150	S	*	3/2020	Kusano	.....	D14/496
2013/0168404	A1	*	7/2013	Jour	.....	B42D 5/005 221/34

\* cited by examiner

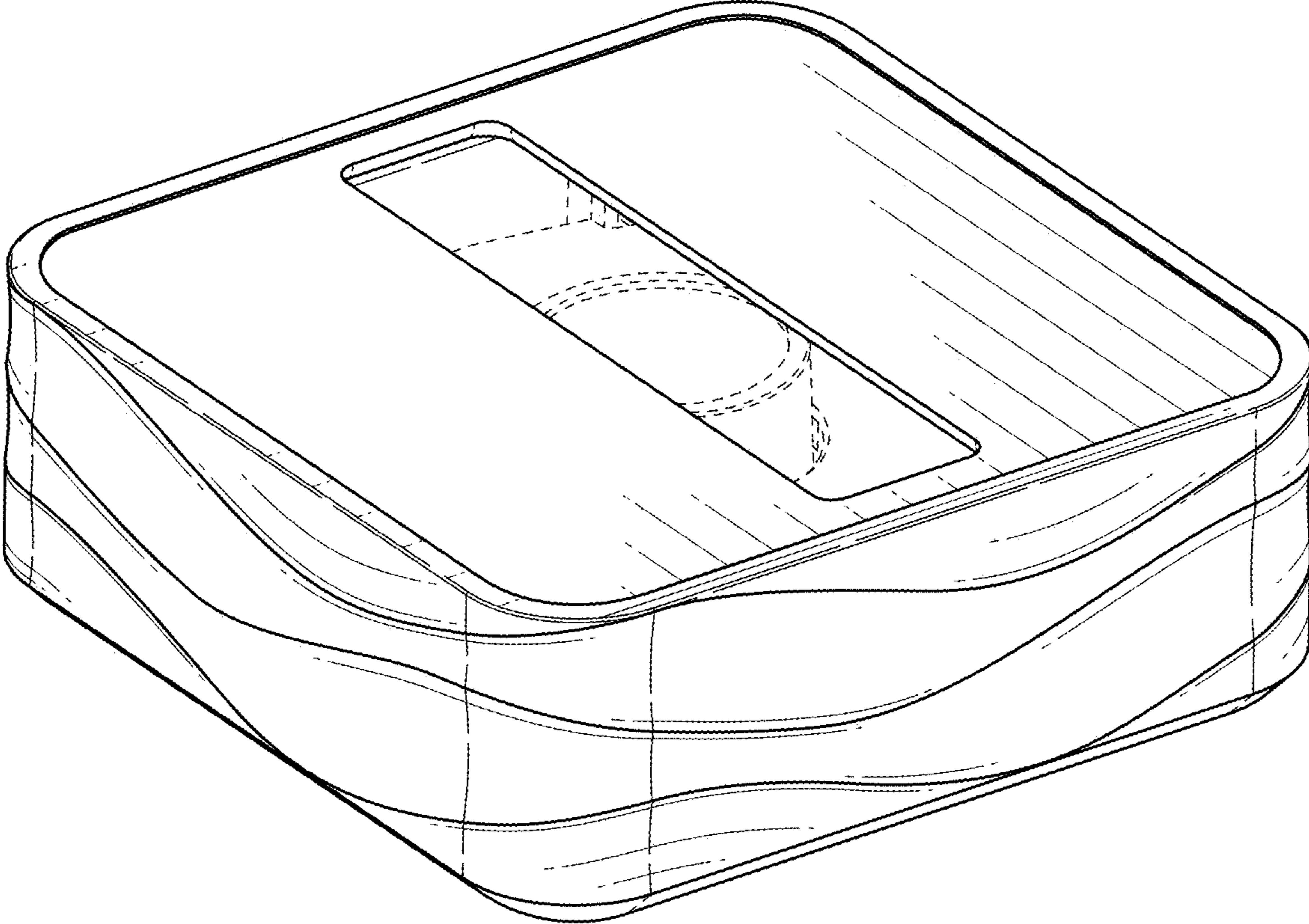


FIG. 1

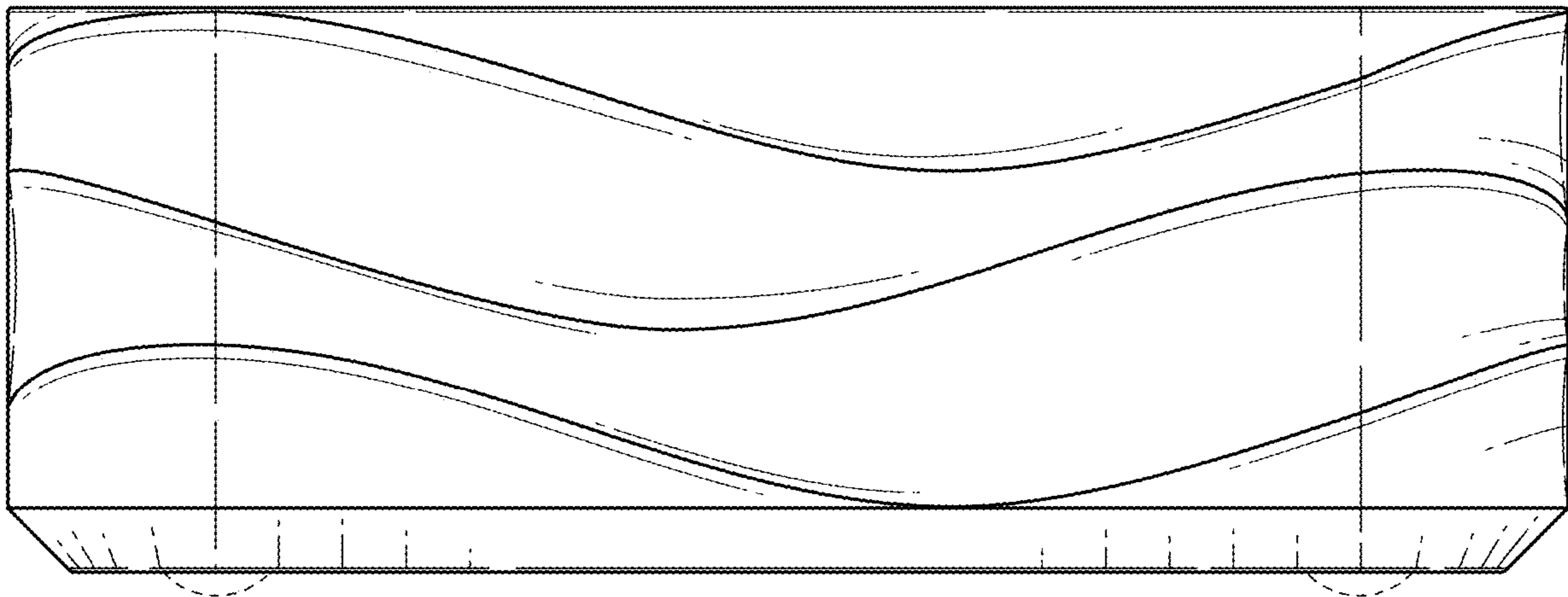


FIG. 2

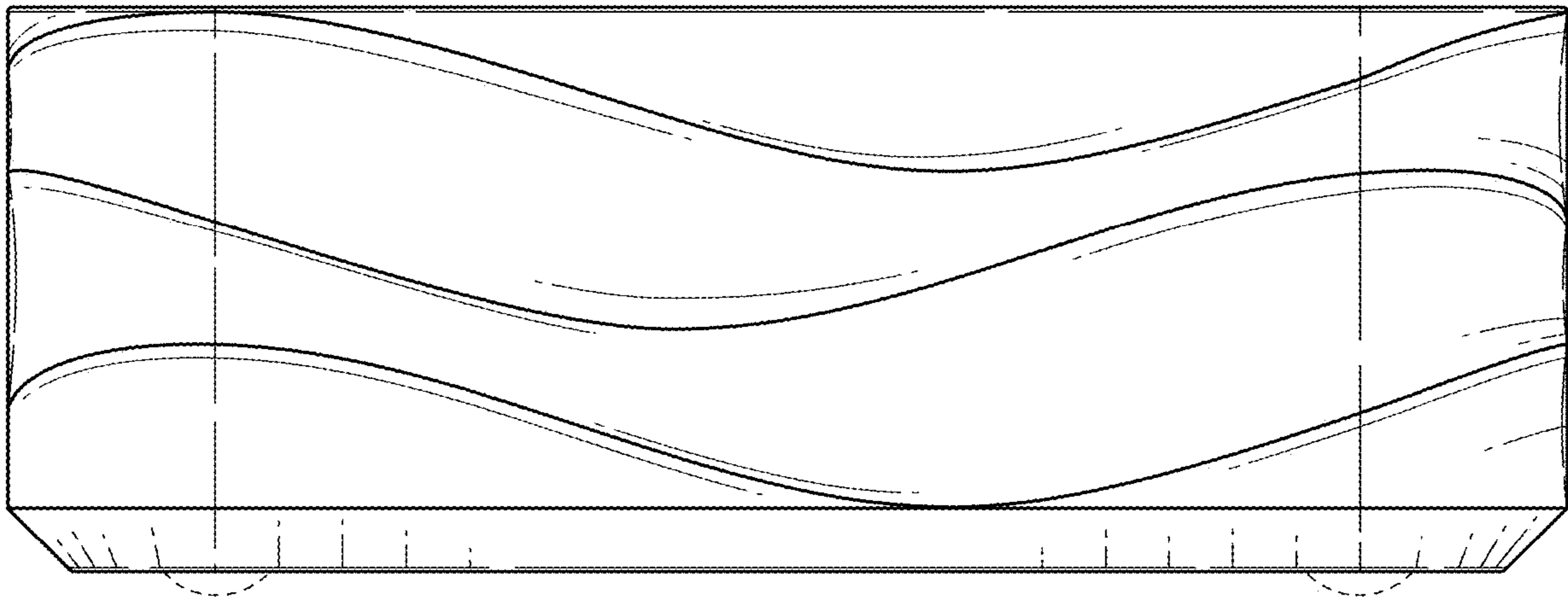


FIG. 3

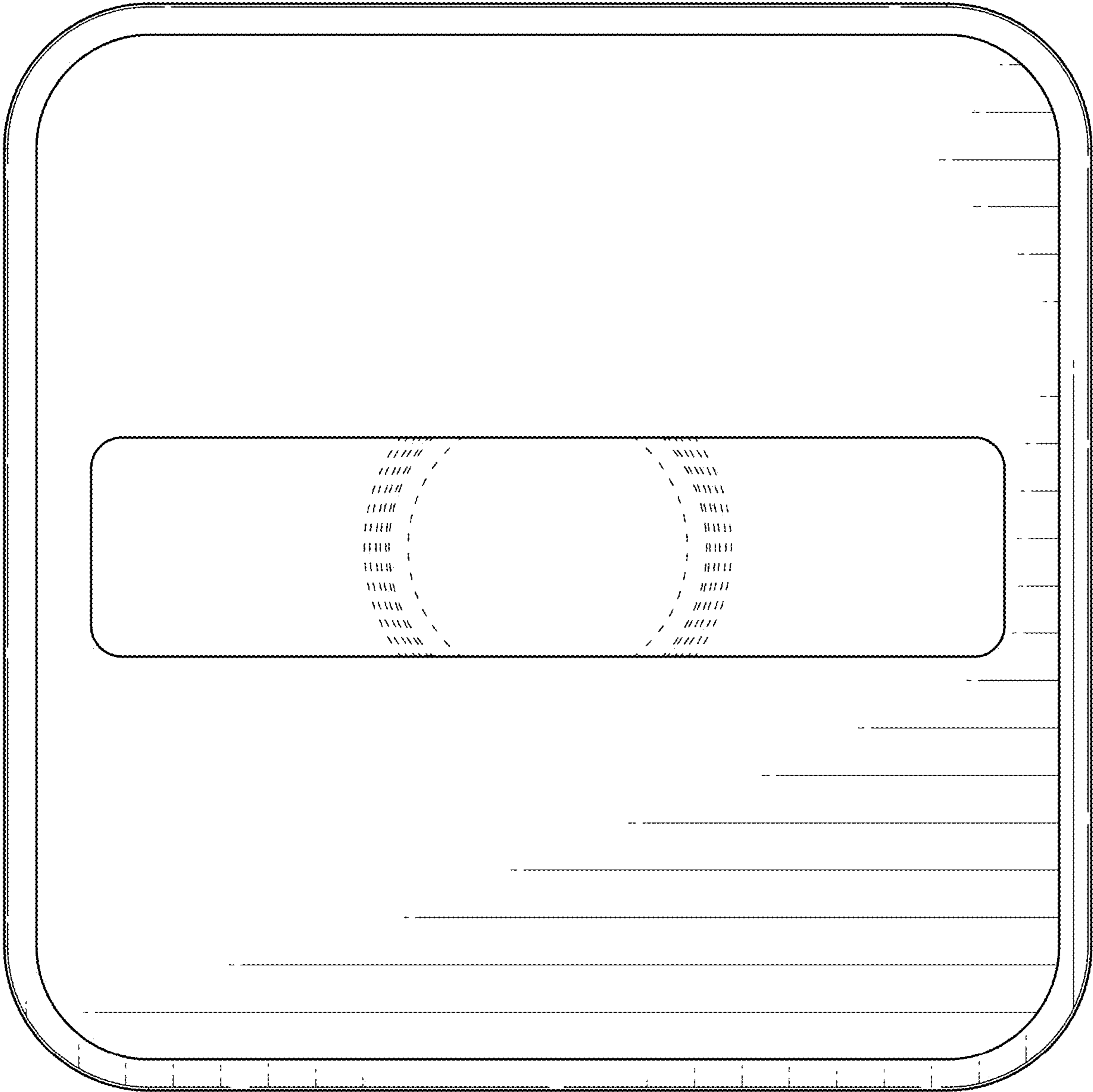


FIG. 4

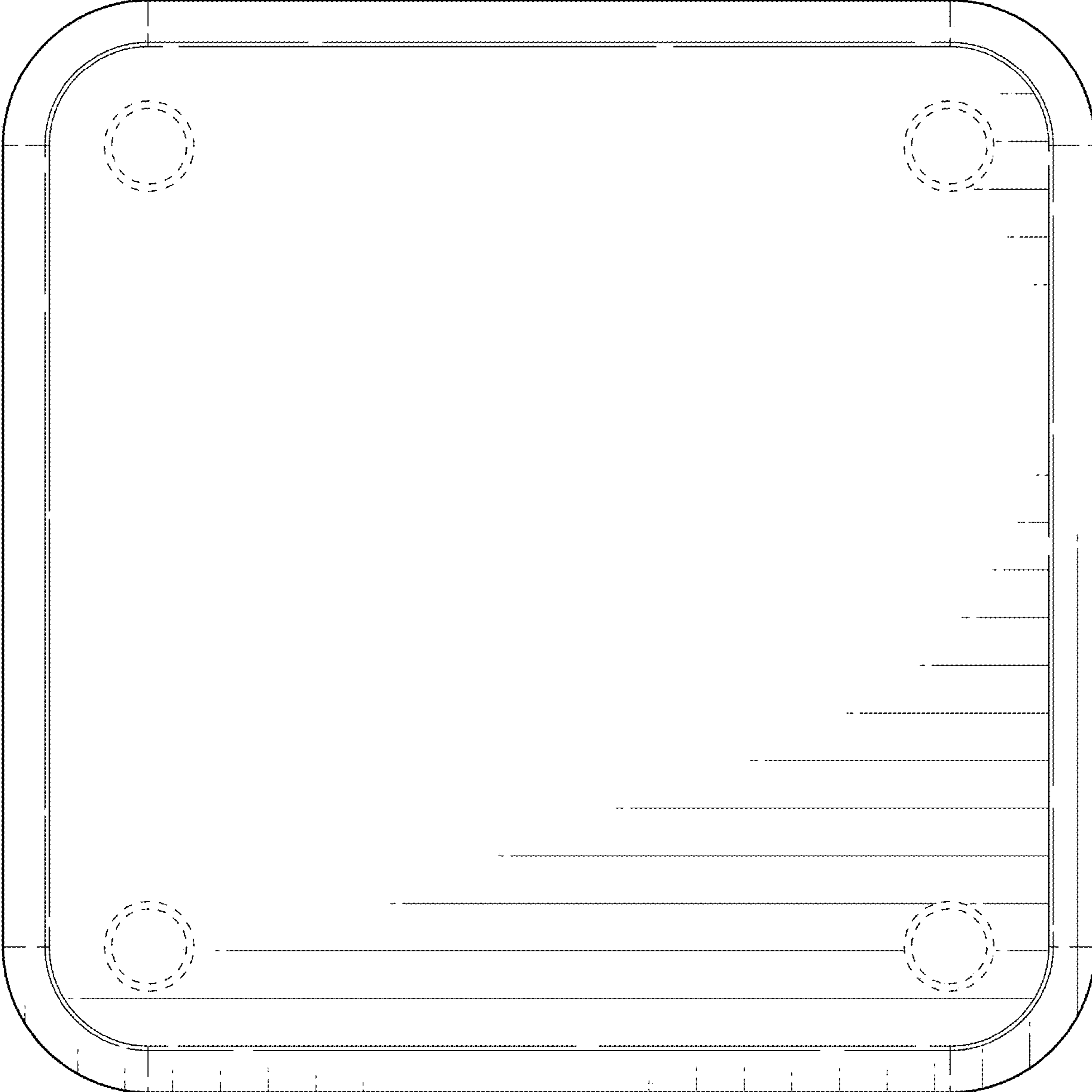


FIG. 5

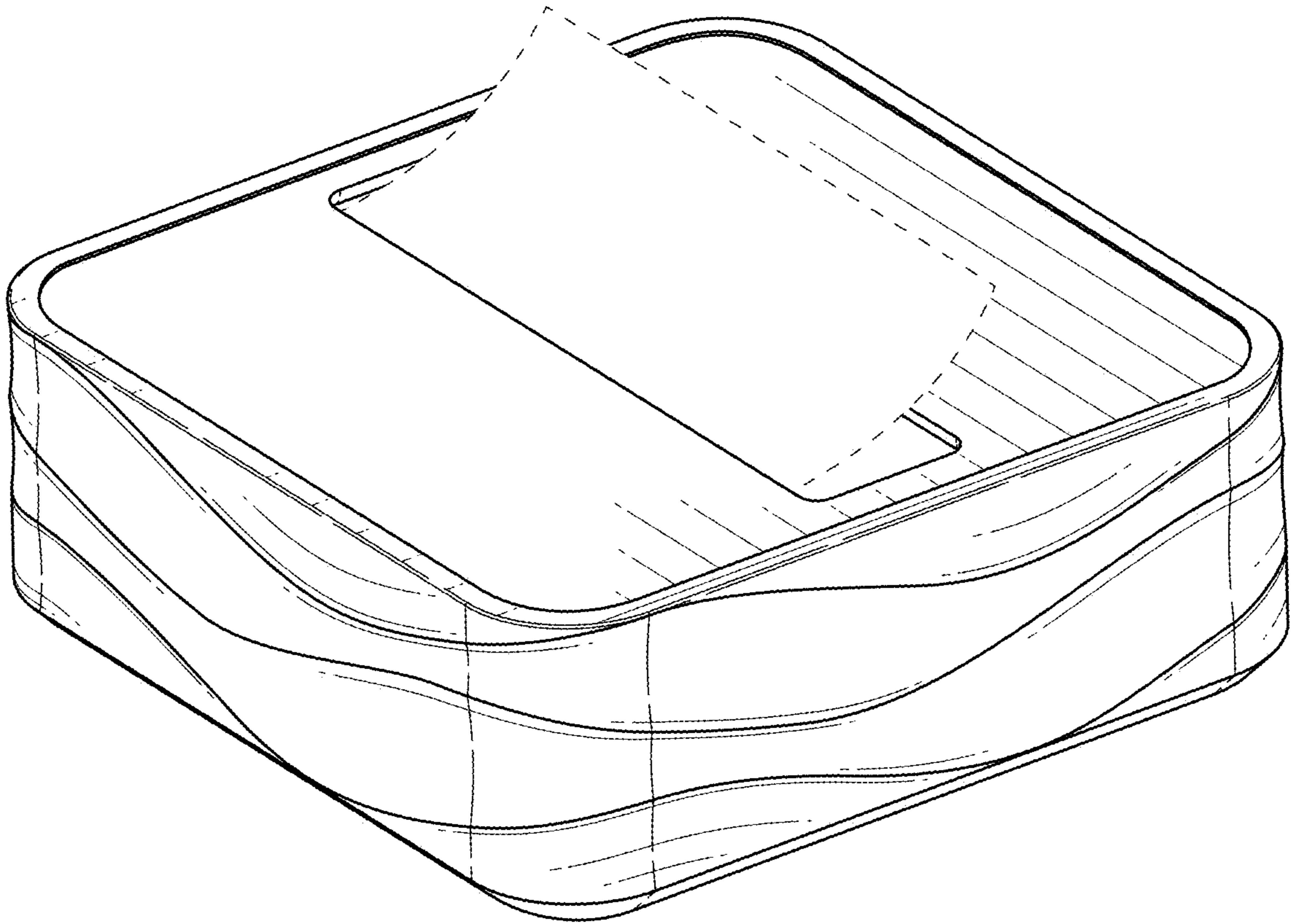


FIG. 6