



US00D907108S

(12) **United States Design Patent** (10) **Patent No.:** **US D907,108 S**  
**Takei** (45) **Date of Patent:** **\*\* Jan. 5, 2021**

- (54) **ELECTRONIC KEYBOARD**
- (71) Applicant: **YAMAHA CORPORATION**,  
Hamamatsu (JP)
- (72) Inventor: **Kunihiro Takei**, Hamamatsu (JP)
- (73) Assignee: **YAMAHA CORPORATION**,  
Hamamatsu (JP)
- (\*\*) Term: **15 Years**
- (21) Appl. No.: **29/706,976**
- (22) Filed: **Sep. 25, 2019**

D555,710	S	*	11/2007	Suzuki	.....	D17/1
D557,328	S		12/2007	Miyashita et al.		
D577,057	S	*	9/2008	Sato	.....	D17/7
D610,189	S		2/2010	Henda		
D696,715	S	*	12/2013	Sato	.....	D17/1
D718,808	S	*	12/2014	Okamura	.....	D17/1
D772,974	S	*	11/2016	Takei	.....	D17/1
9,905,204	B2		2/2018	Okimura		
D867,440	S	*	11/2019	Takei	.....	D17/1
D879,870	S	*	3/2020	Suzuki	.....	D17/1
2012/0125180	A1		5/2012	Shim		

- Related U.S. Application Data**
- (63) Continuation of application No. 29/643,591, filed on Apr. 10, 2018, now Pat. No. Des. 867,440.
- (51) **LOC (13) Cl.** ..... **17-01**
- (52) **U.S. Cl.**  
USPC ..... **D17/1**
- (58) **Field of Classification Search**  
USPC ..... D17/1, 7, 9; D21/409  
CPC ... G10C 1/00; G10C 1/02; G10C 3/00; G10C 3/12  
See application file for complete search history.

- (56) **References Cited**
- U.S. PATENT DOCUMENTS
- |          |   |   |         |               |       |       |
|----------|---|---|---------|---------------|-------|-------|
| D260,098 | S | * | 8/1981  | Antonelli     | ..... | D17/1 |
| D282,850 | S | * | 3/1986  | Futami        | ..... | D17/1 |
| D345,372 | S | * | 3/1994  | Ida           | ..... | D17/7 |
| D348,279 | S | * | 6/1994  | Nakada        | ..... | D17/1 |
| D467,607 | S |   | 12/2002 | Yanase et al. |       |       |
| D506,494 | S | * | 6/2005  | Nishizawa     | ..... | D17/1 |
| D554,691 | S | * | 11/2007 | Ogino         | ..... | D17/1 |

**OTHER PUBLICATIONS**

U.S. Appl. No. 29/643,591, filed Apr. 10, 2018, Kunihiro Takei.

\* cited by examiner

*Primary Examiner* — R. Johnson

(74) *Attorney, Agent, or Firm* — Sughrue Mion, PLLC

(57) **CLAIM**

The ornamental design for an electronic keyboard, as shown and described.

**DESCRIPTION**

FIG. 1 is a perspective view of the front, top and right side of an electronic keyboard showing my new design;

FIG. 2 is a front view thereof;

FIG. 3 is a rear view thereof;

FIG. 4 is a left side view thereof;

FIG. 5 is a right side view thereof;

FIG. 6 is a top view thereof; and,

FIG. 7 is a bottom view thereof.

The broken line showing of the electronic keyboard is included for the purpose of illustrating portions of the electronic keyboard and forms no part of the claimed design.

**1 Claim, 5 Drawing Sheets**

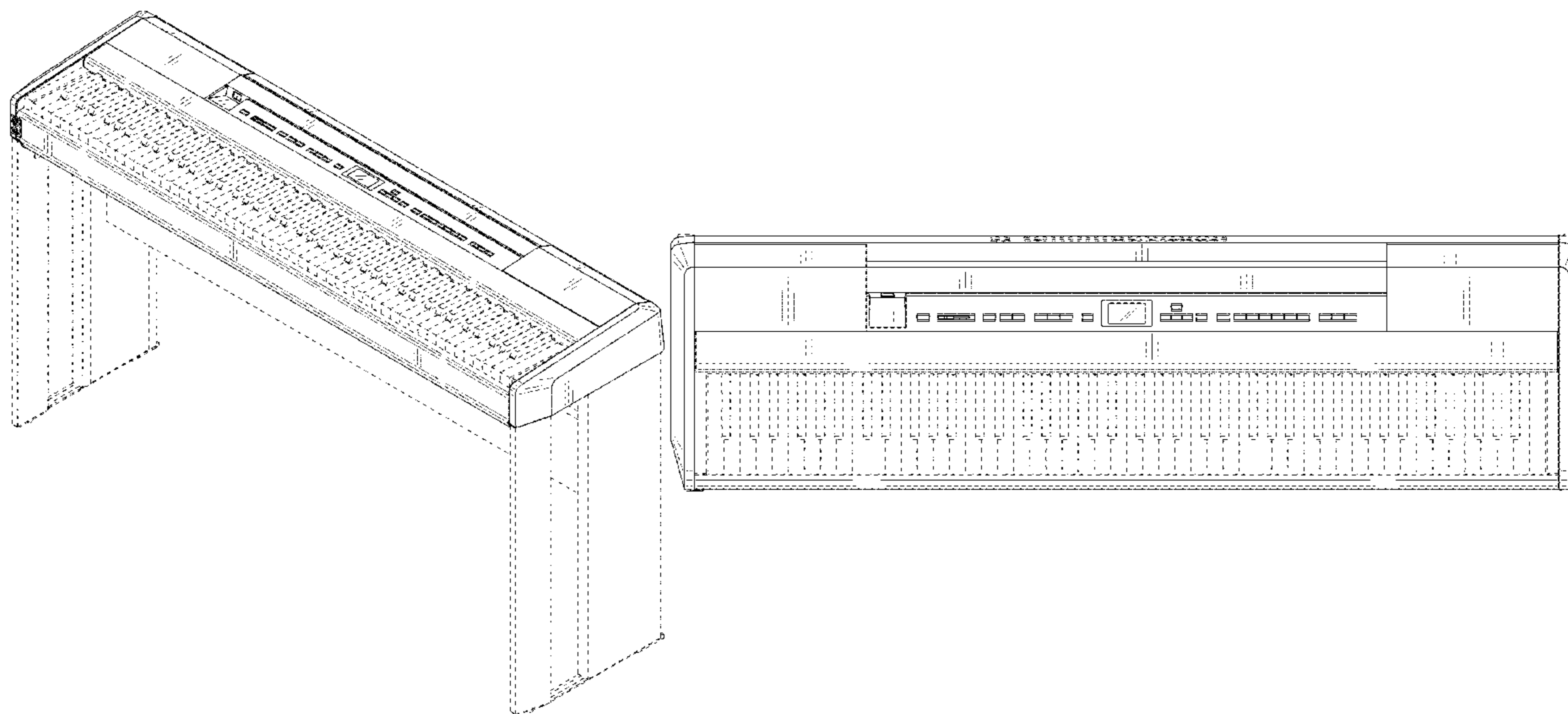


FIG. 1

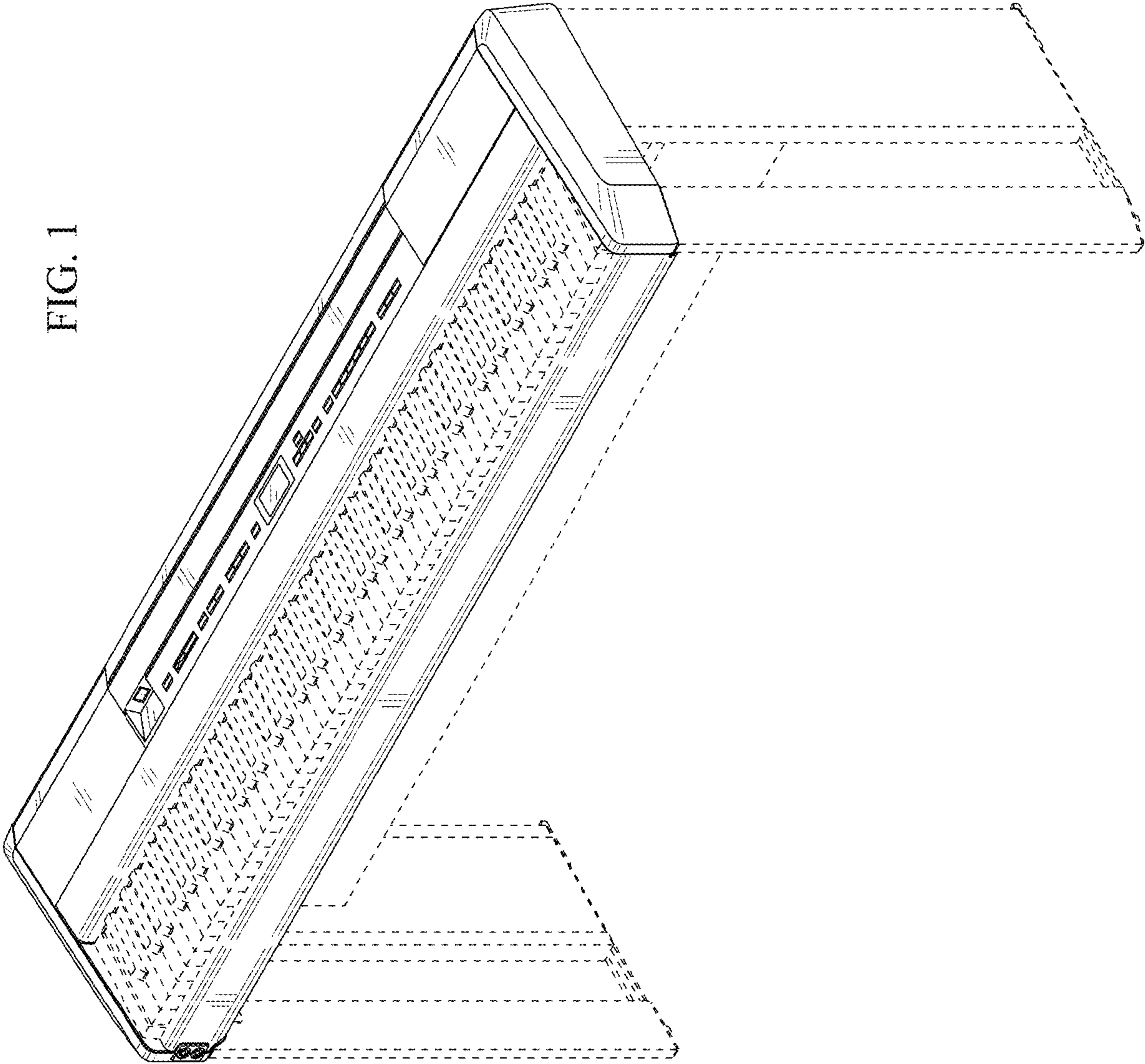


FIG. 2

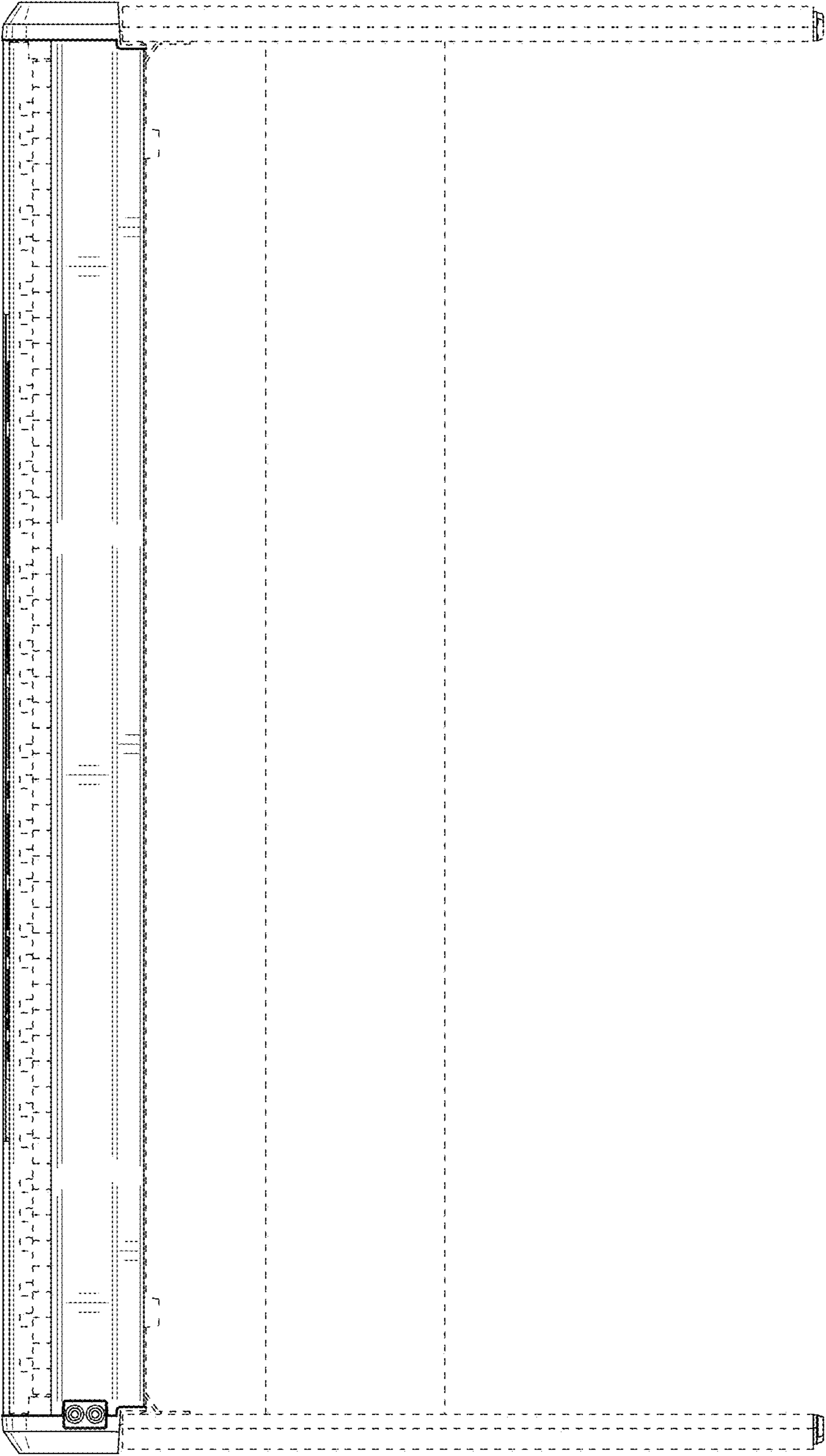


FIG. 3

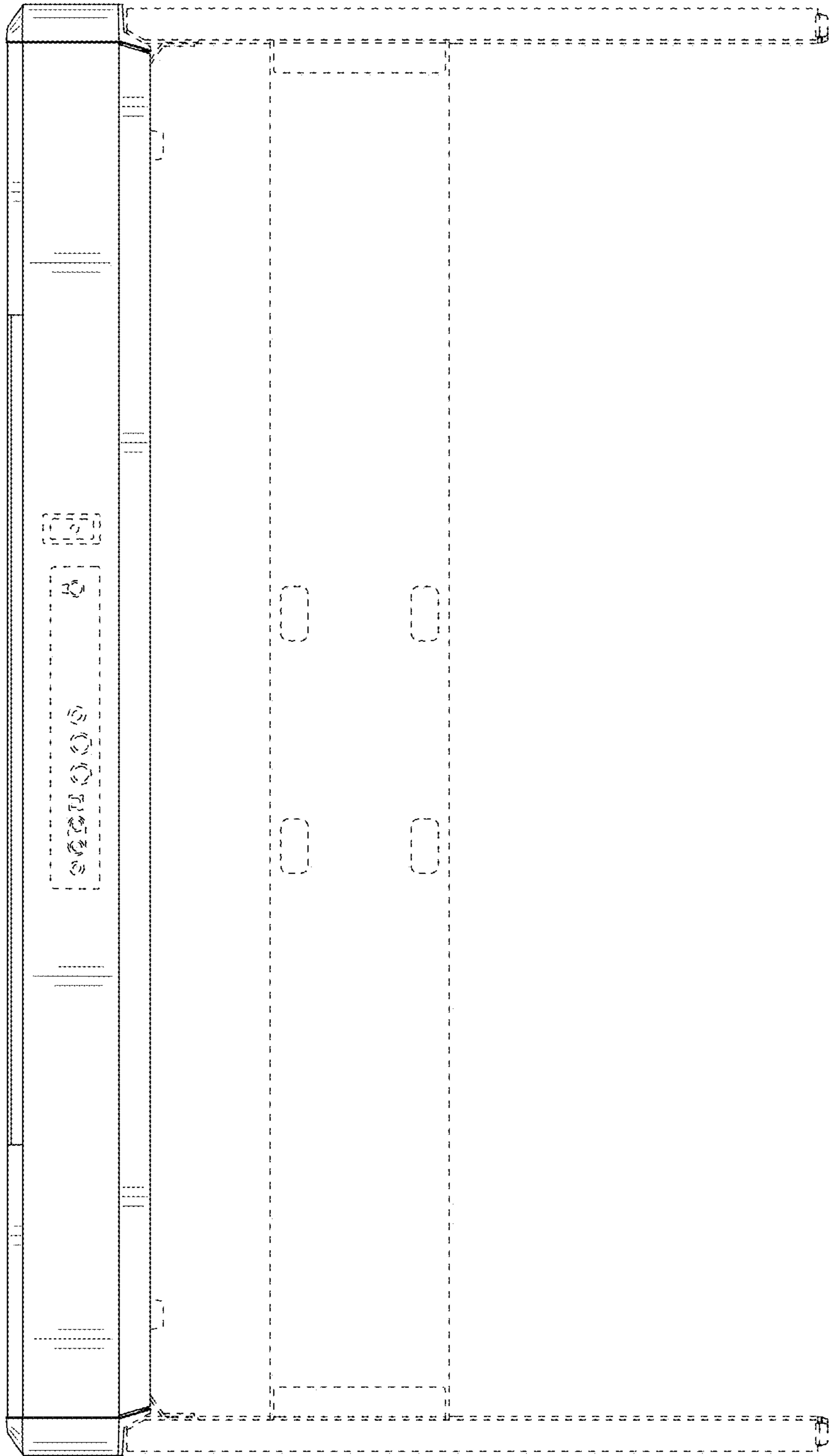


FIG. 5

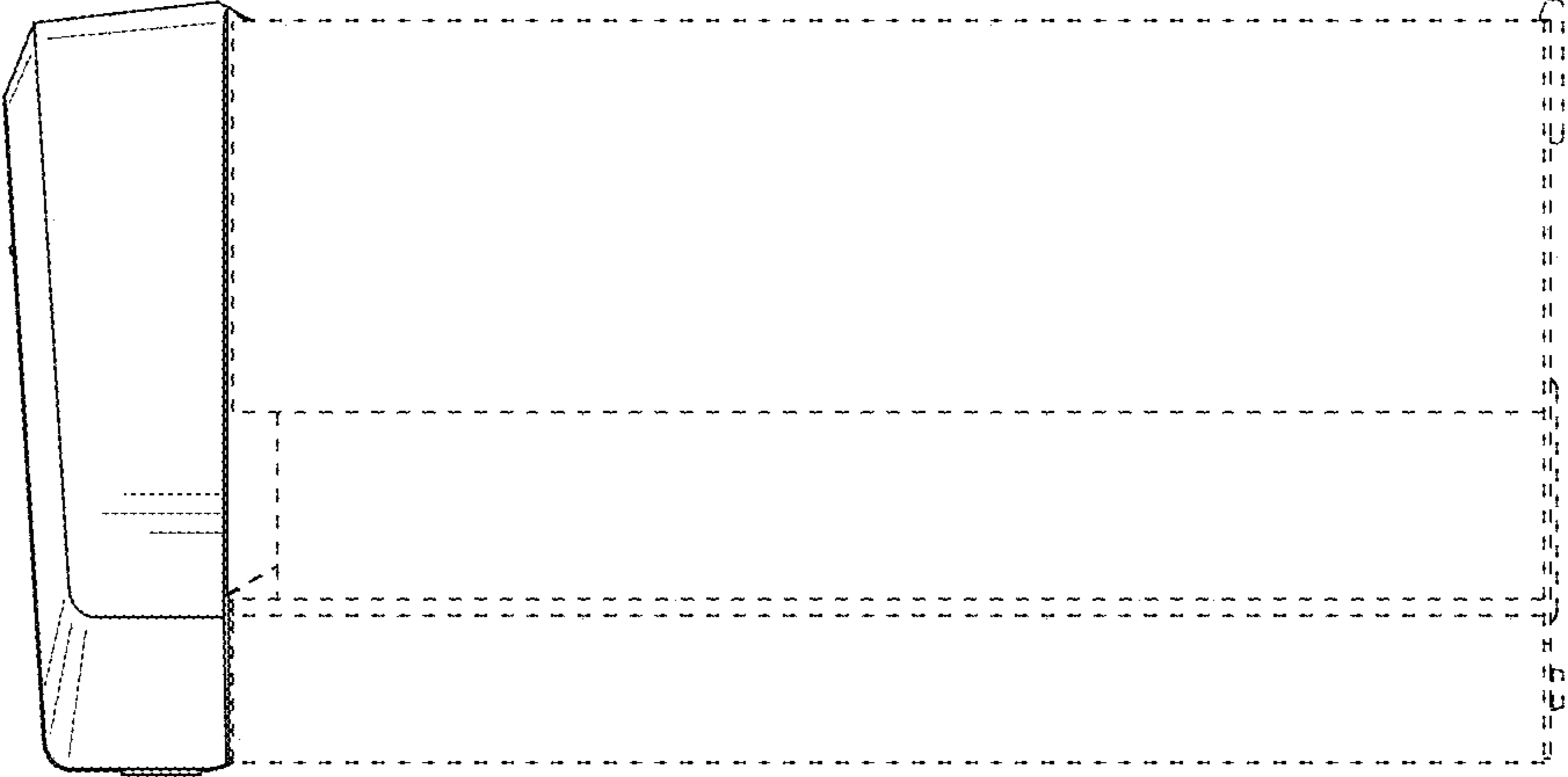


FIG. 4

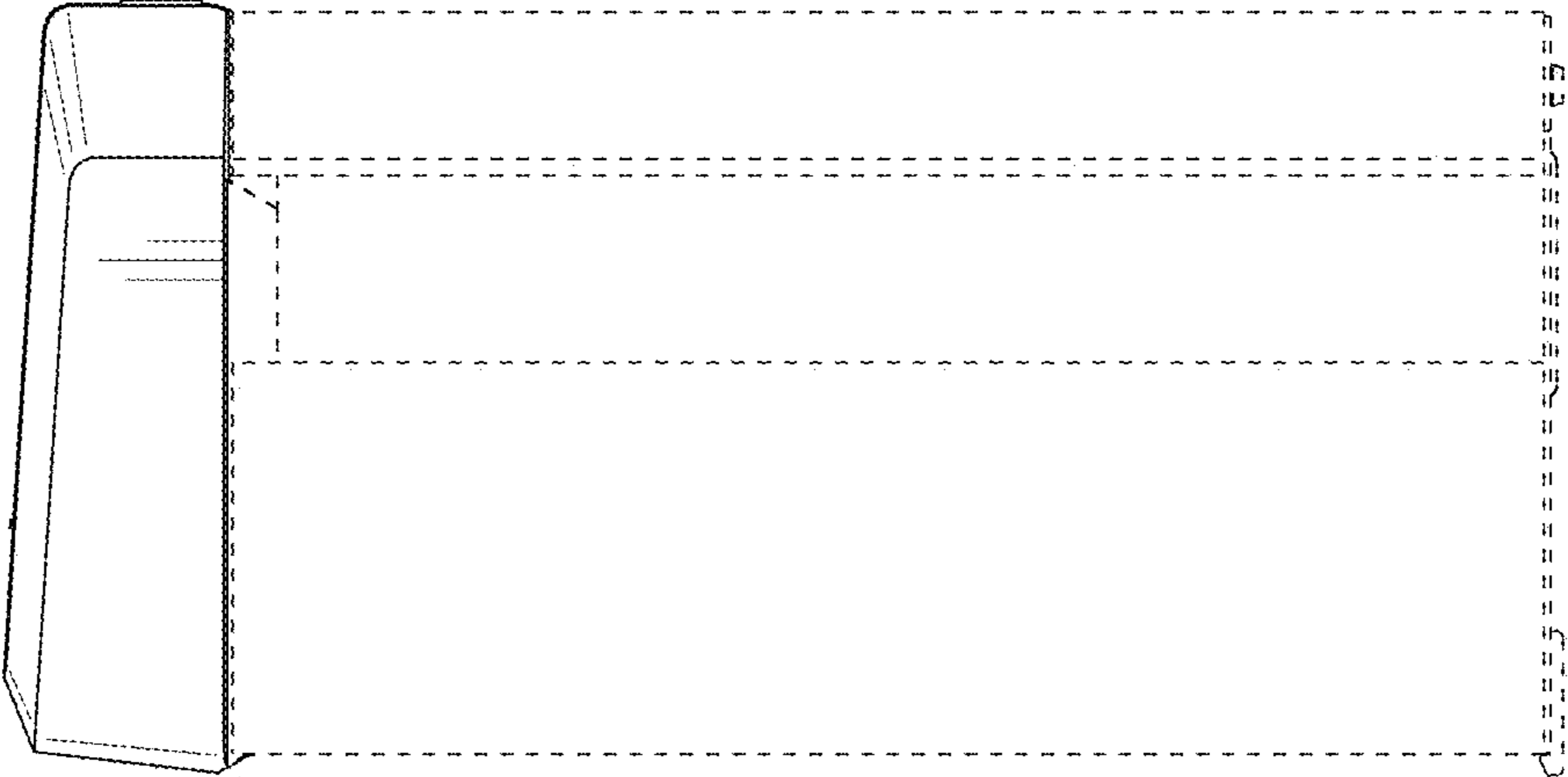




FIG. 6

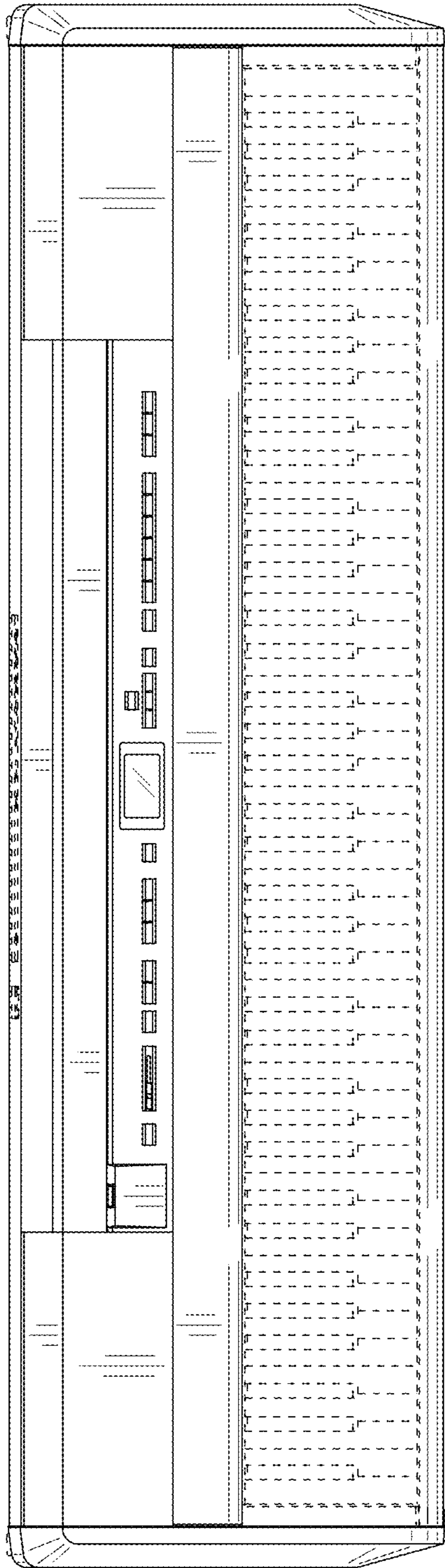


FIG. 7

