



US00D907106S

(12) **United States Design Patent**
Li

(10) **Patent No.:** **US D907,106 S**

(45) **Date of Patent:** **** Jan. 5, 2021**

(54) **TRIPOD**

(71) Applicant: **Jian-Lin Li**, Shenzhen (CN)

(72) Inventor: **Jian-Lin Li**, Shenzhen (CN)

(**) Term: **15 Years**

(21) Appl. No.: **29/696,767**

(22) Filed: **Jul. 1, 2019**

(51) **LOC (13) Cl.** **16-05**

(52) **U.S. Cl.**
USPC **D16/244**

(58) **Field of Classification Search**
USPC D16/219, 237-250; D14/224, 229, 238,
D14/251, 253, 447, 451, 457
CPC G03B 17/56; G03B 17/561-566
See application file for complete search history.

(56) **References Cited**

U.S. PATENT DOCUMENTS

D268,458 S *	4/1983	Schoenig	D16/244
D269,880 S *	7/1983	Iwasaki	D16/244
4,697,772 A *	10/1987	Kosugi	F16M 11/105 248/183.3
D299,244 S *	1/1989	Jones	D16/244
4,988,064 A *	1/1991	Hoshino	F16M 11/2057 248/170
D333,479 S *	2/1993	Chun-Mao	D16/244
D421,447 S *	3/2000	Eason	D16/244
D450,339 S *	11/2001	Eason	D16/244
D552,660 S *	10/2007	Lee	D16/242
D570,618 S *	6/2008	Tai	D14/229
D632,720 S *	2/2011	Barker	D16/244
D657,977 S *	4/2012	Belitz	D6/681.1

D720,384 S *	12/2014	Holmen	D16/244
D821,483 S *	6/2018	Vitale	D16/244
D864,282 S *	10/2019	Liu	D16/244
D881,980 S *	4/2020	Zhu	D16/237
D888,814 S *	6/2020	Chen	D16/244

* cited by examiner

Primary Examiner — Vy N Koenig

(74) *Attorney, Agent, or Firm* — ScienBiziP, P.C.

(57) **CLAIM**

The ornamental design for a tripod, as shown and described.

DESCRIPTION

FIG. 1 is a first perspective view of a tripod, showing my design.

FIG. 2 is a second perspective view thereof.

FIG. 3 is a front elevation view thereof.

FIG. 4 is a rear elevation view thereof.

FIG. 5 is a left side elevation view thereof.

FIG. 6 is a right side elevation view thereof.

FIG. 7 is a top plan view thereof.

FIG. 8 is a bottom plan view thereof.

FIG. 9 is a perspective view of the tripod of FIG. 1 in an alternate configuration of use, in which the spindles of the tripod are unfolded.

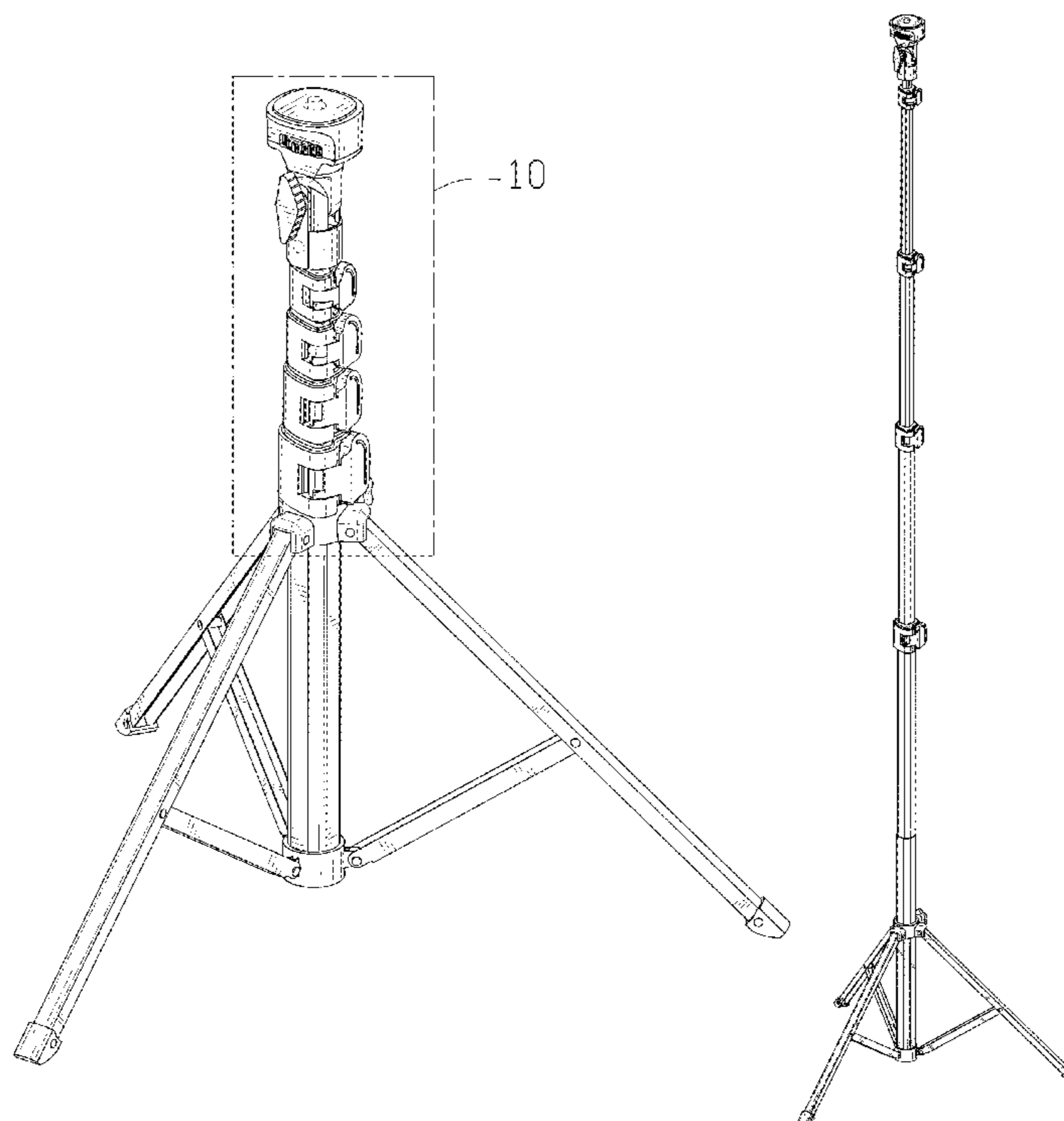
FIG. 10 is an enlarged view of the area labeled 10 in FIG. 1 of the tripod.

FIG. 11 is an enlarged view of the area labeled 11 in FIG. 2 of the tripod; and,

FIG. 12 is an enlarged view of the area labeled 12 in FIG. 2 of the tripod.

The details shown in broken lines form no part of the claimed design.

1 Claim, 12 Drawing Sheets



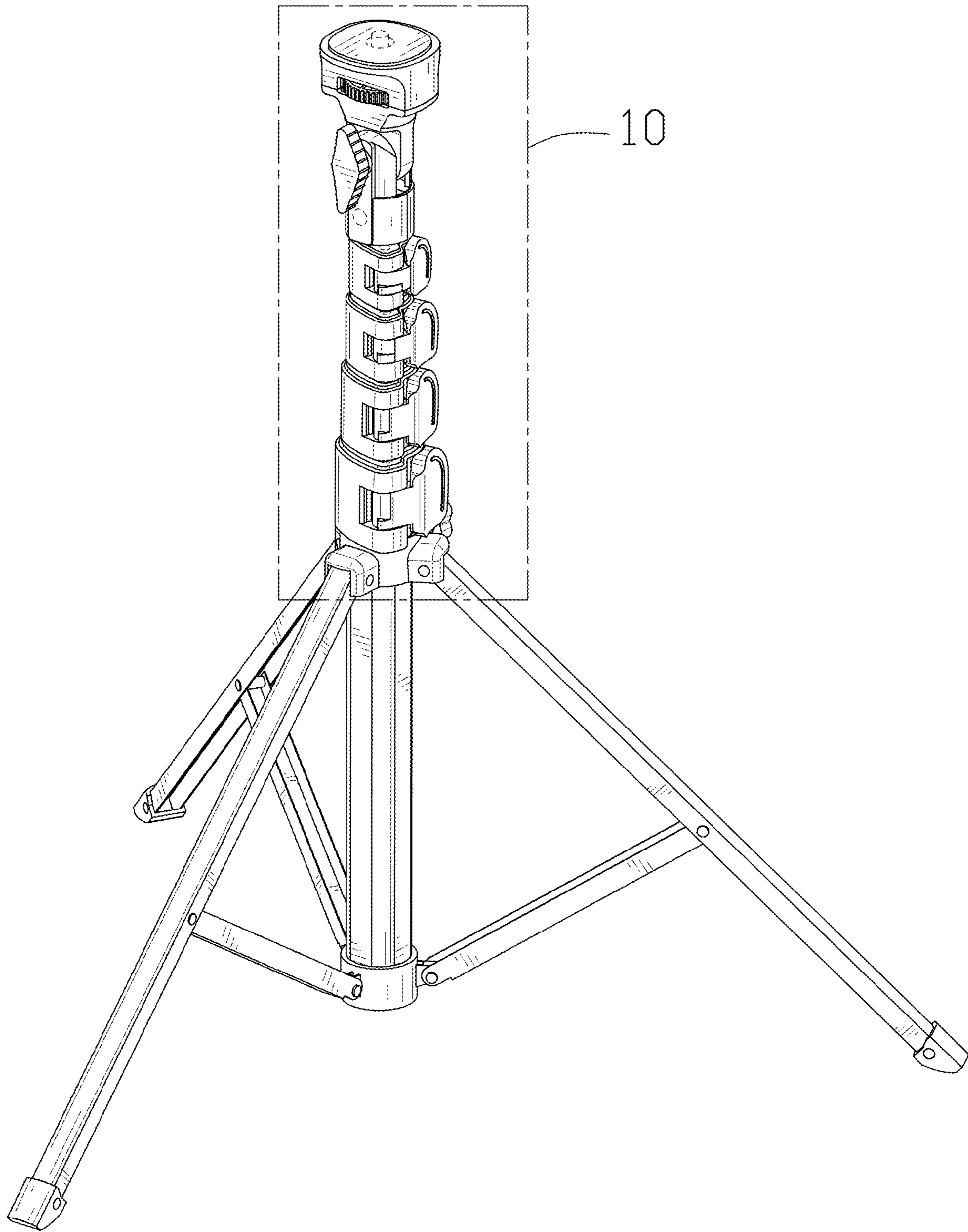


FIG. 1

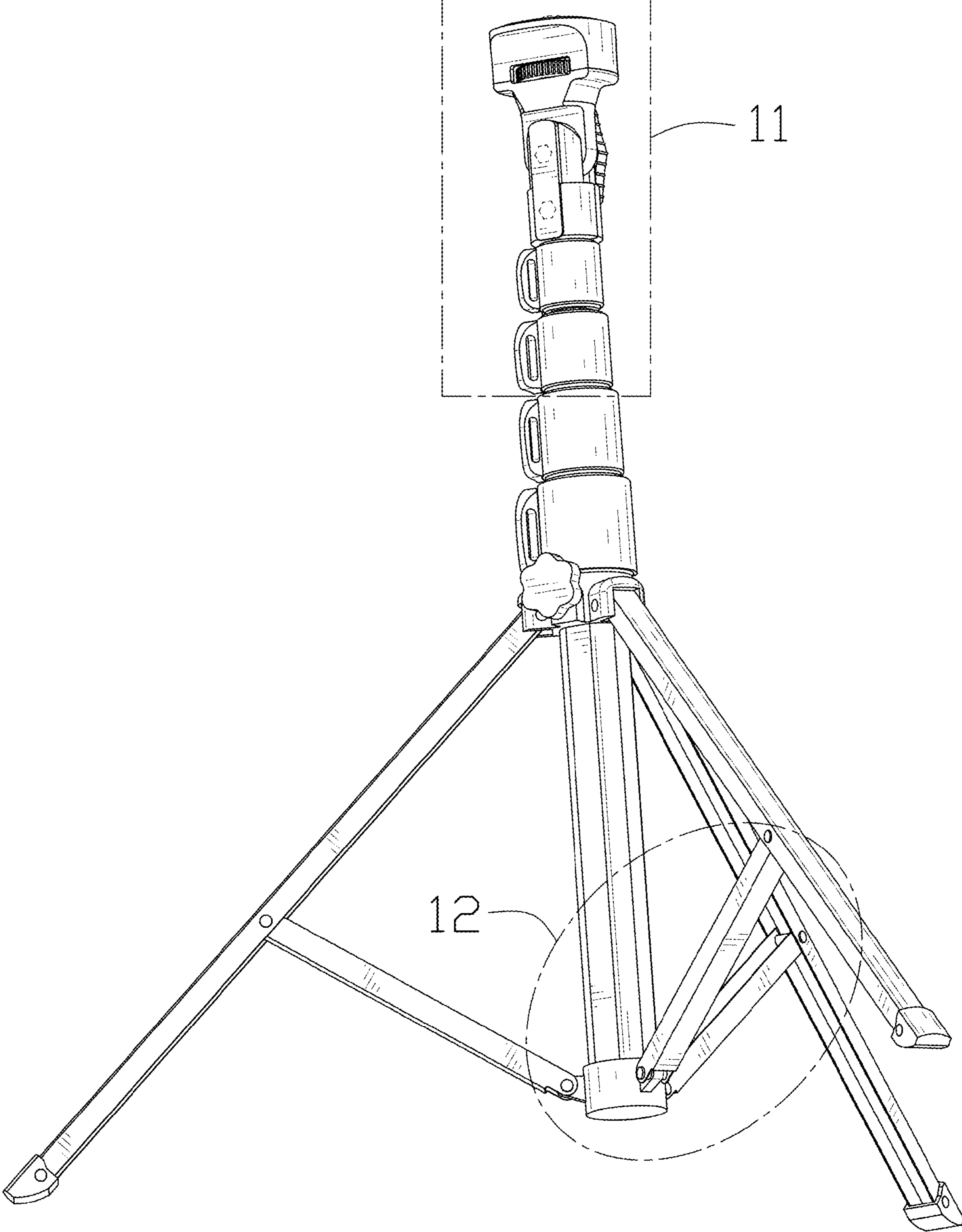


FIG. 2

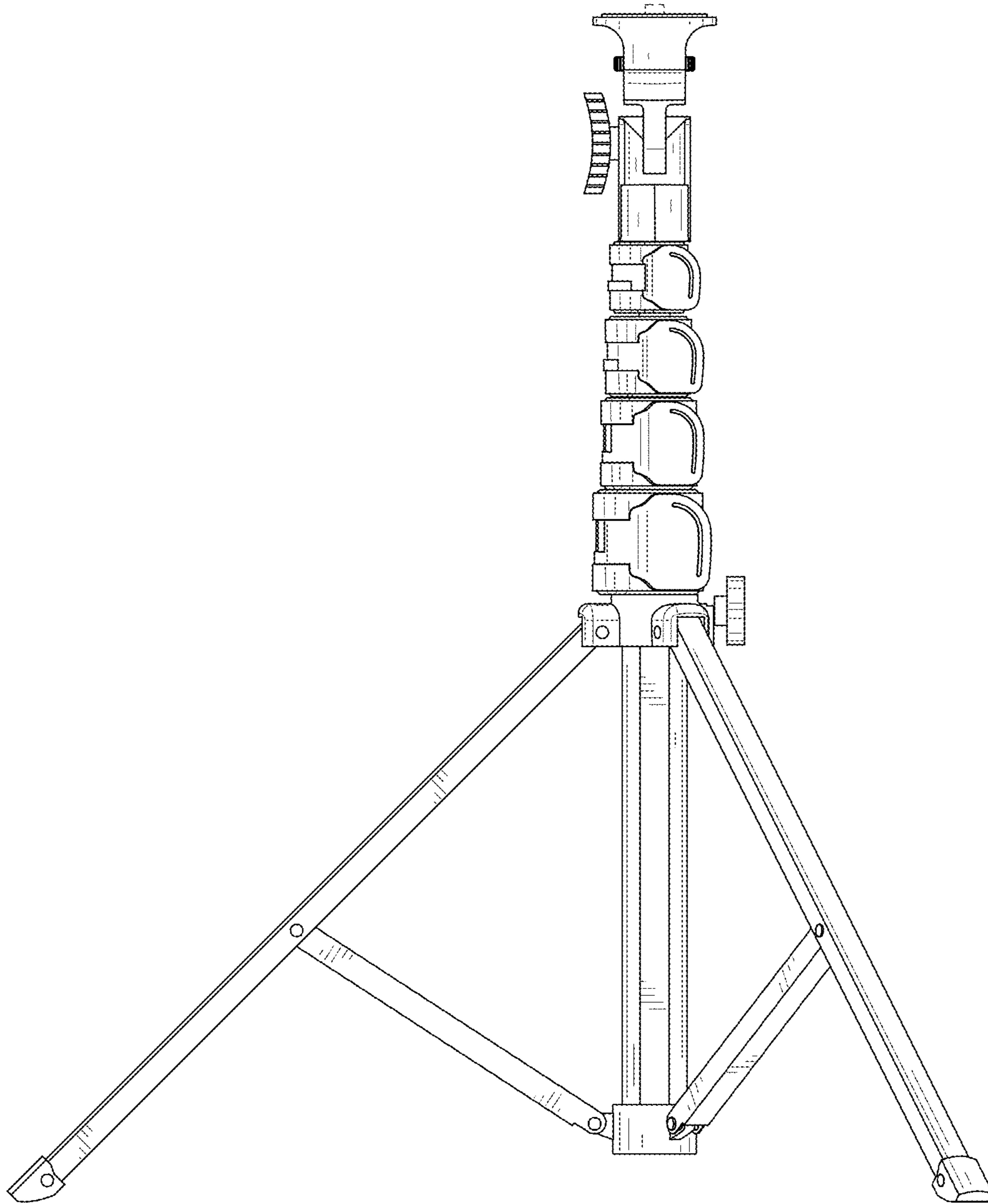


FIG. 3

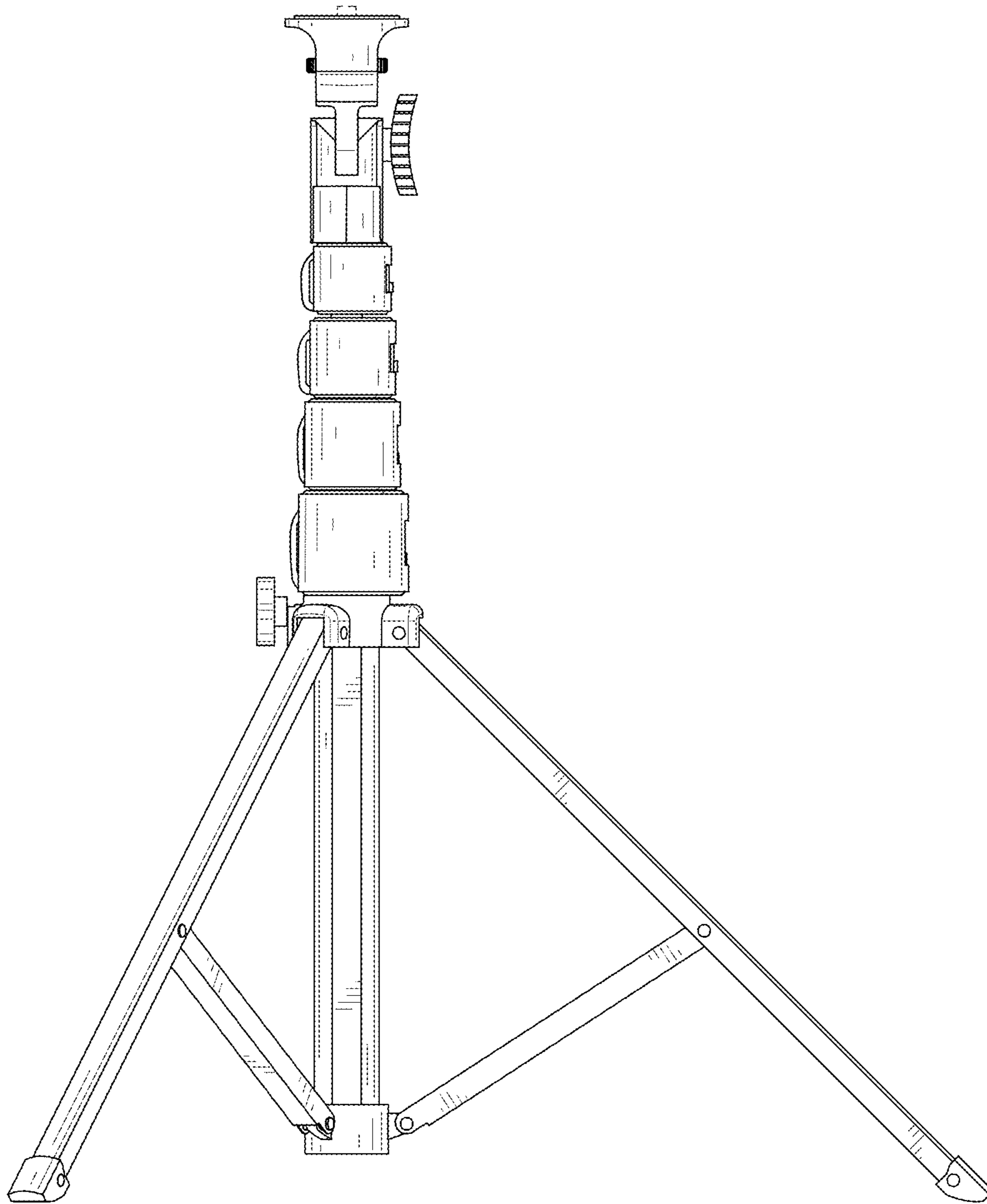


FIG. 4

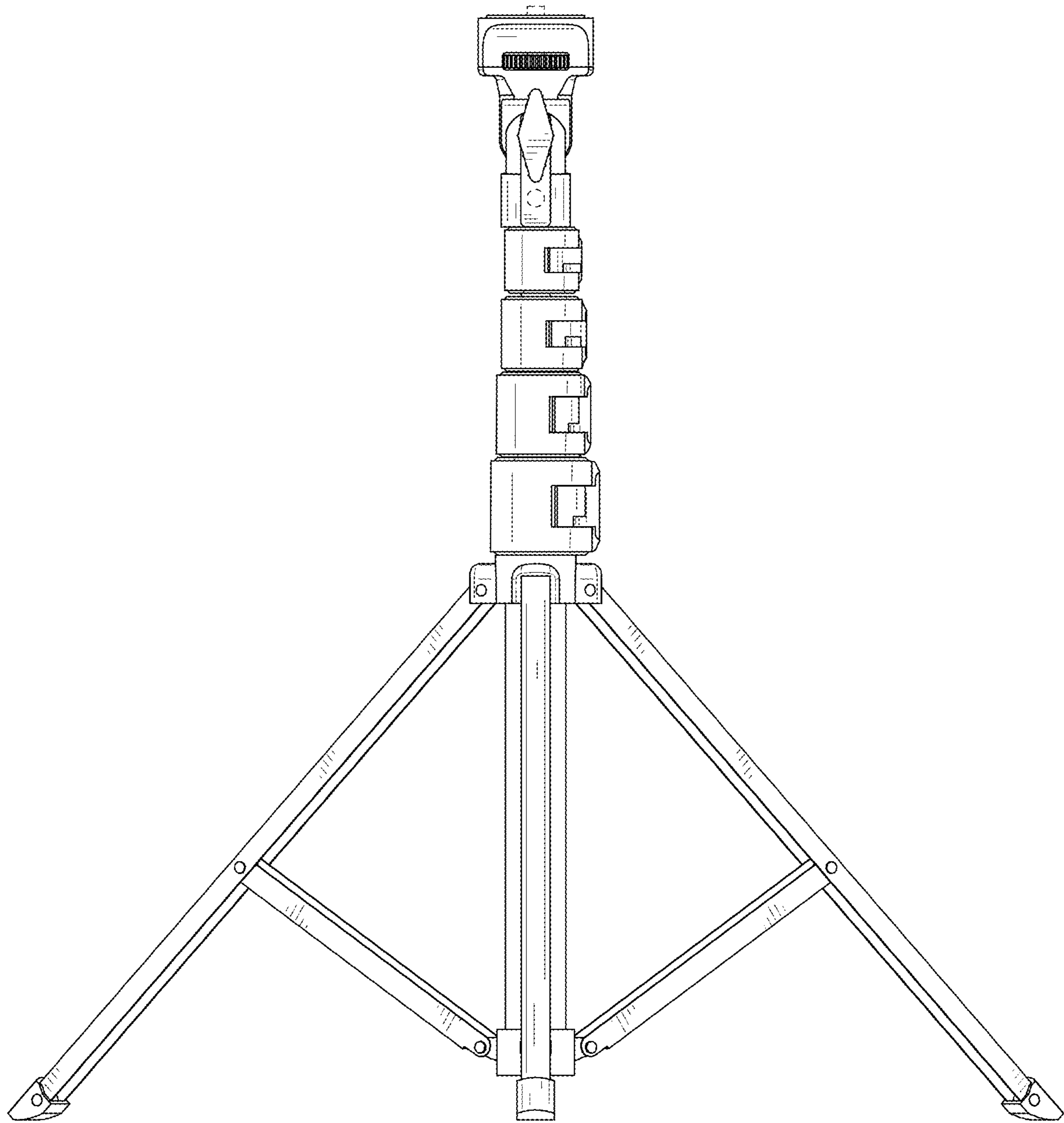


FIG. 5

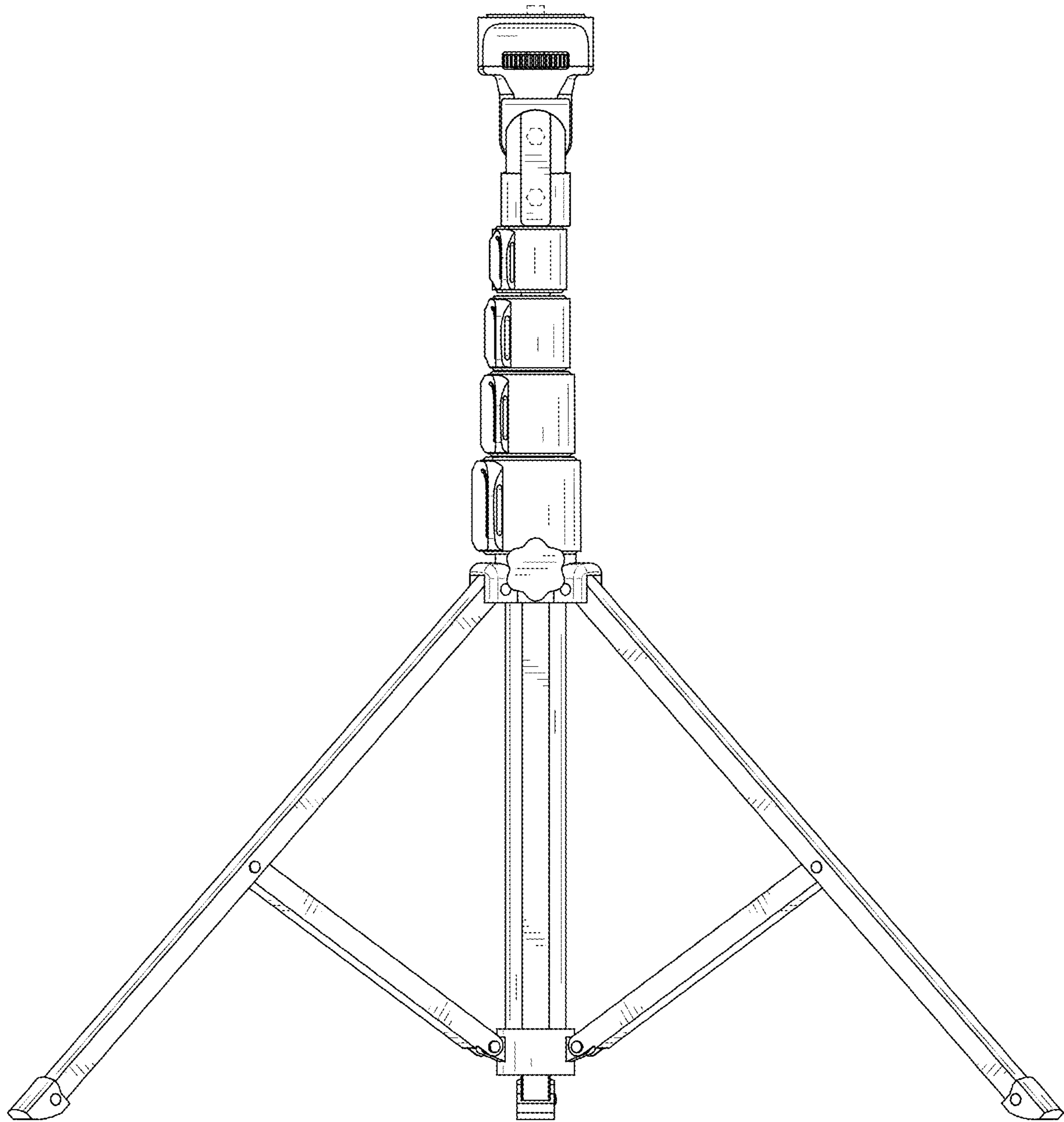


FIG. 6

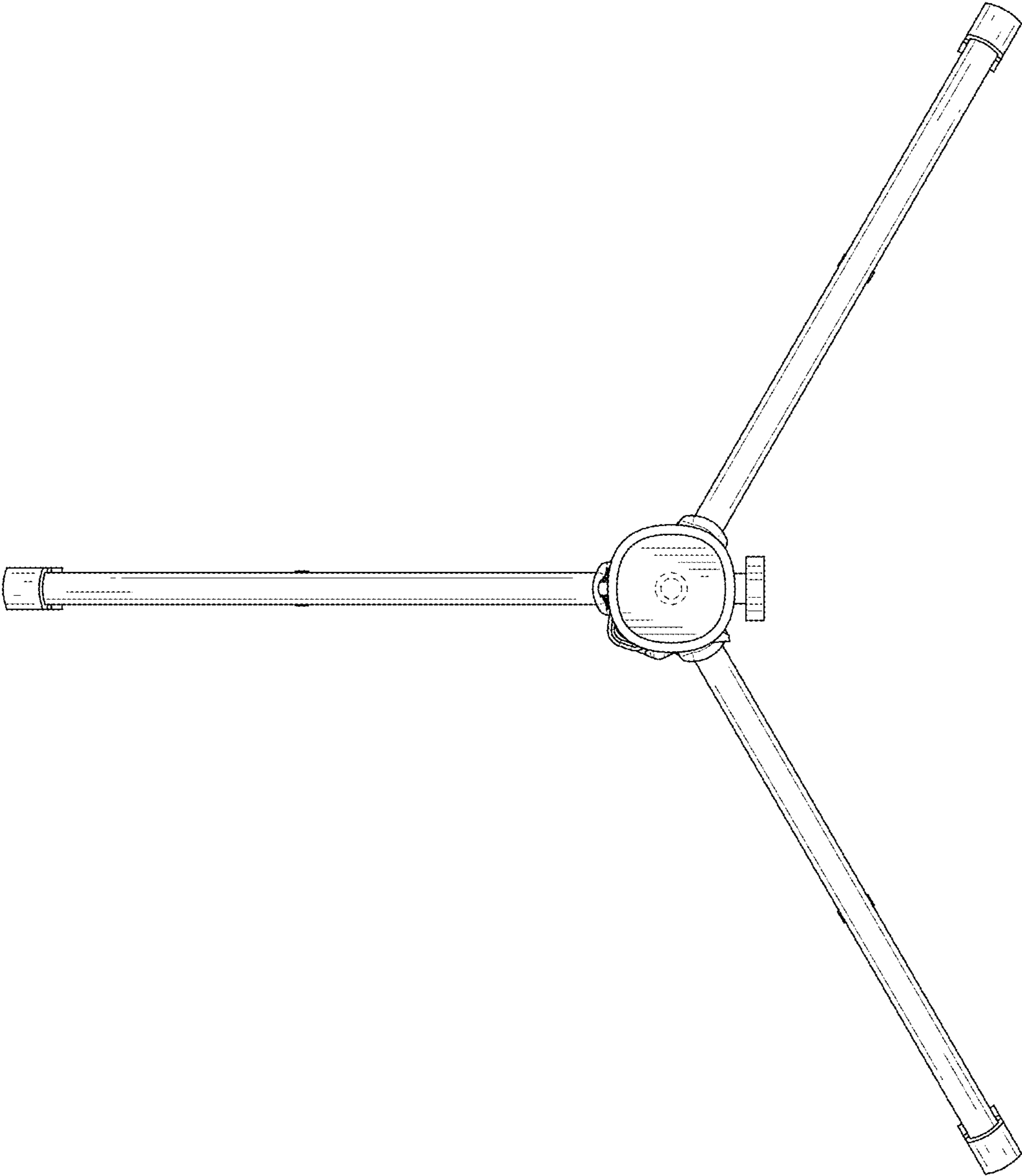


FIG. 7

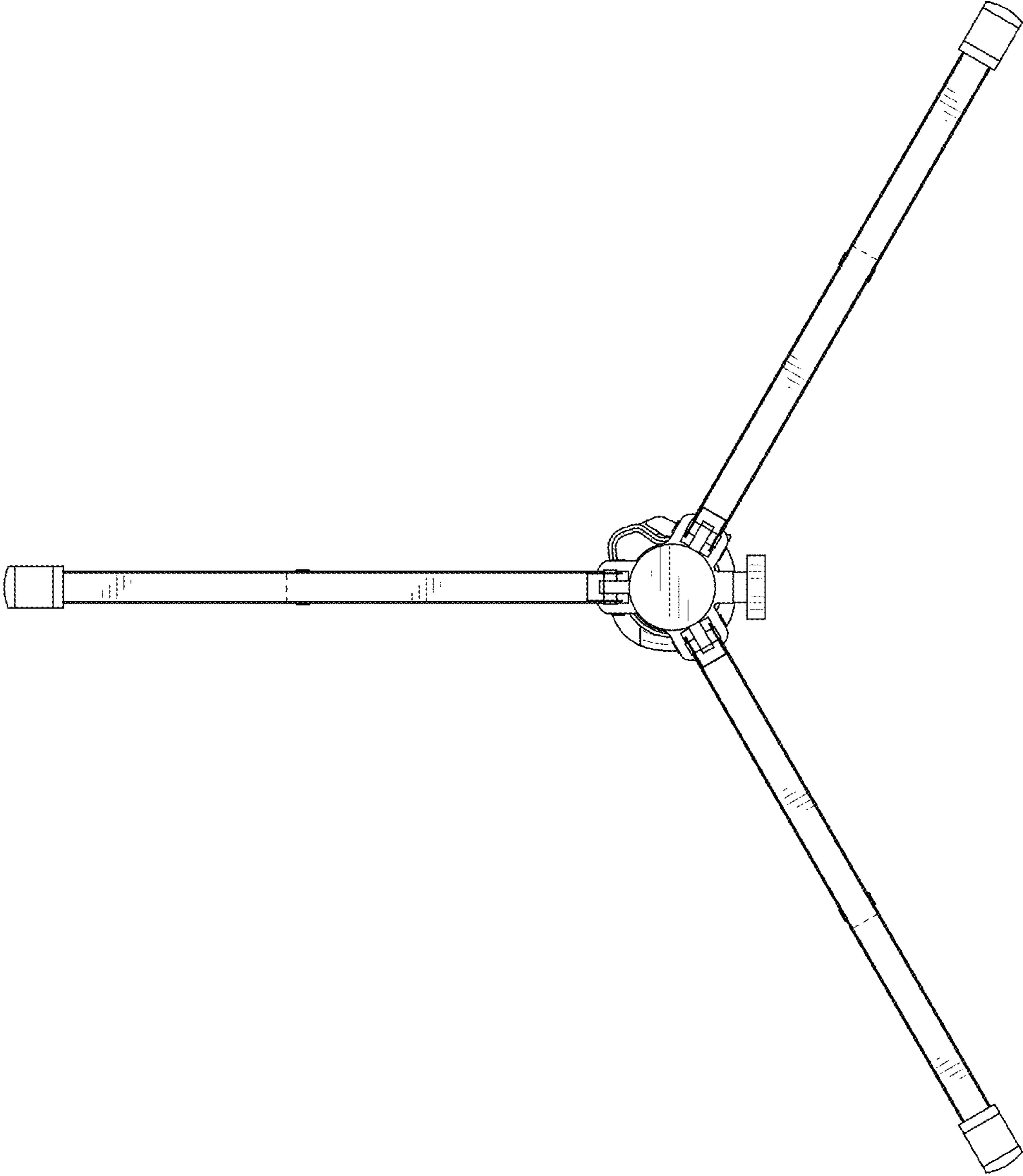


FIG. 8

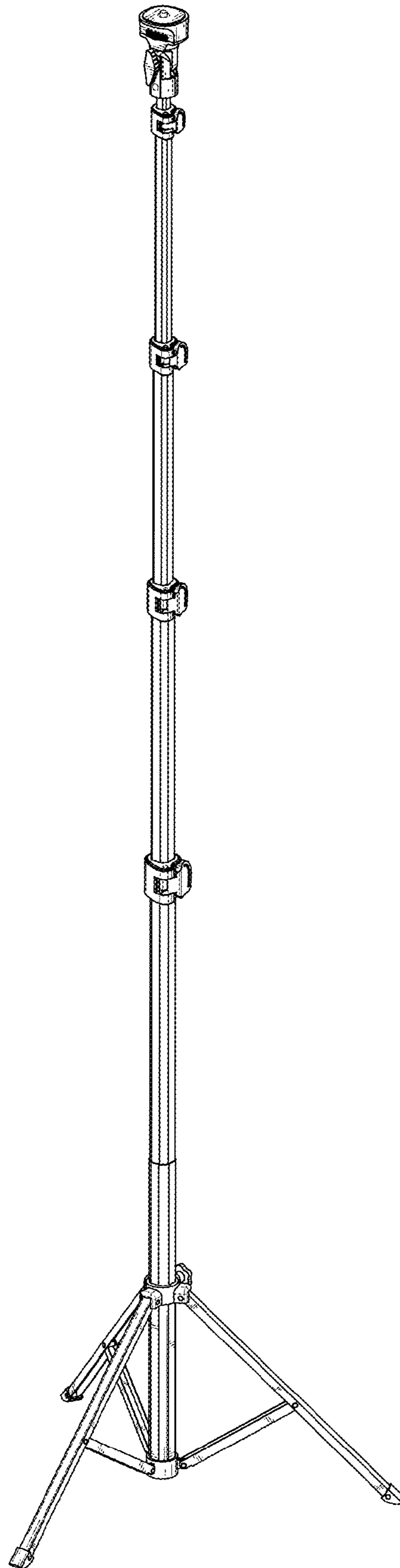


FIG. 9

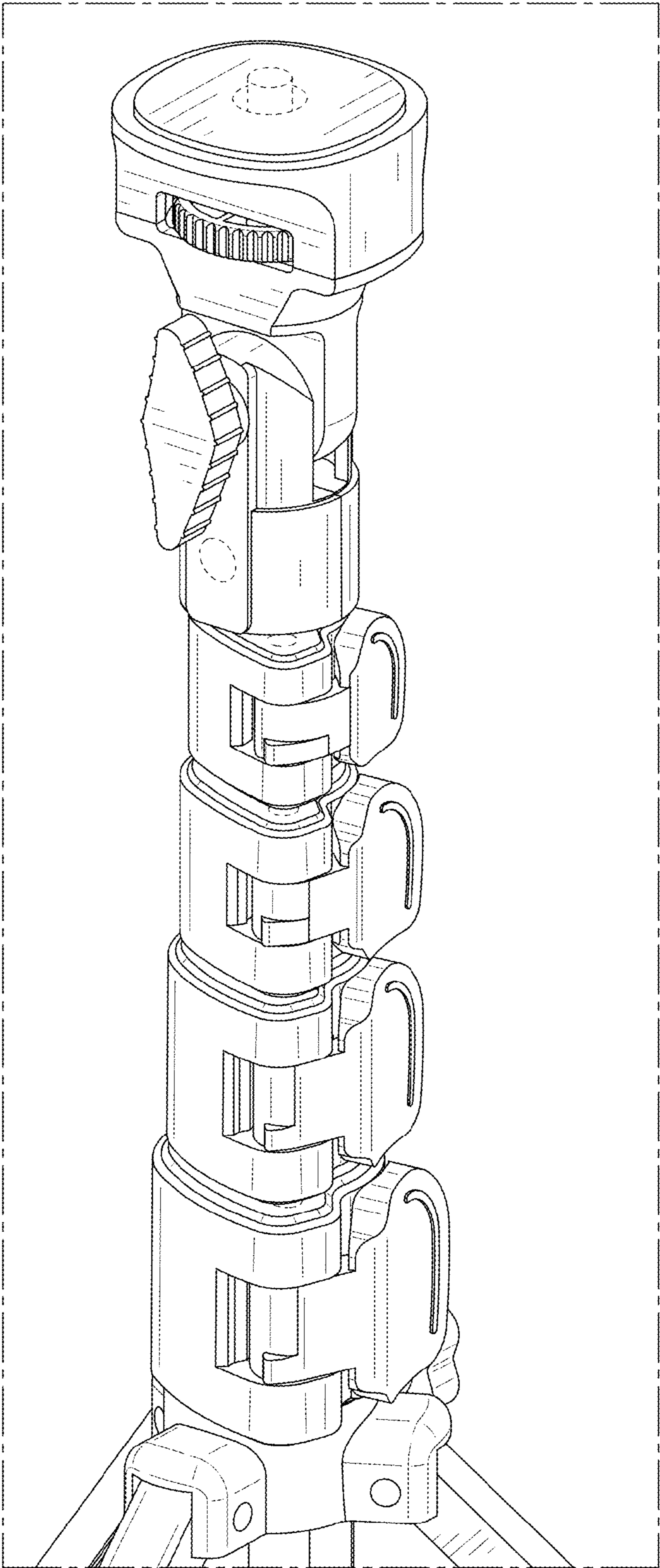


FIG. 10

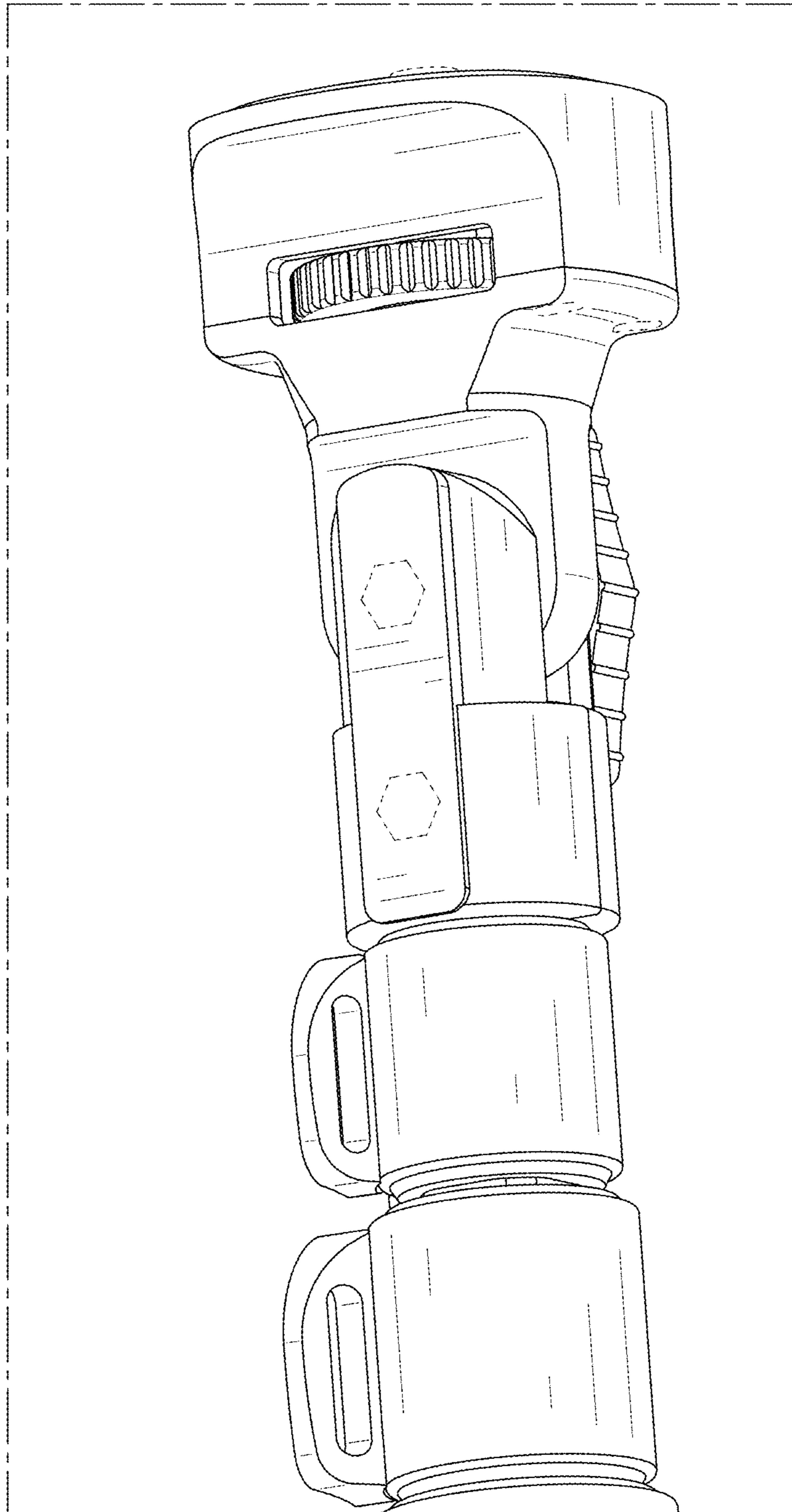


FIG. 11

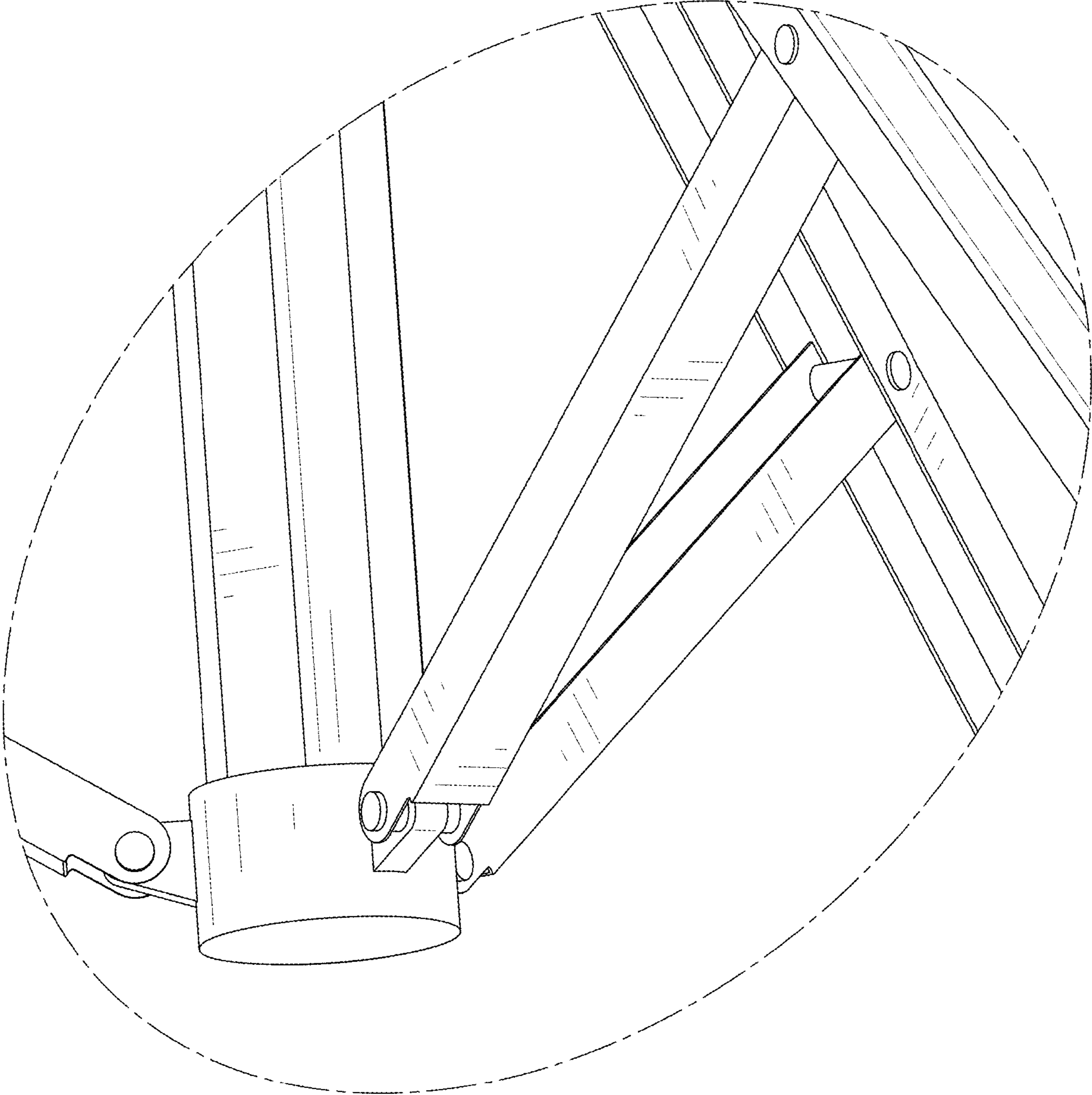


FIG. 12