



US00D907105S

(12) **United States Design Patent** (10) **Patent No.:** **US D907,105 S**  
**Ye** (45) **Date of Patent:** **\*\* Jan. 5, 2021**

(54) **TRIPOD**  
(71) Applicant: **Tao Ye**, Guangdong (CN)  
(72) Inventor: **Tao Ye**, Guangdong (CN)  
(73) Assignee: **SHENZHEN BINGUO TELEVISION TECHNOLOGY CO., LTD.**, Shenzhen (CN)

(\*\*) Term: **15 Years**  
(21) Appl. No.: **29/602,717**

(22) Filed: **May 2, 2017**  
(51) **LOC (13) Cl.** ..... **16-05**  
(52) **U.S. Cl.**  
USPC ..... **D16/244**

(58) **Field of Classification Search**  
USPC ..... D16/208, 213–219, 235–250; D14/217, D14/229, 250–253; D8/363, 373, 394  
CPC .. G03B 17/02–04; G03B 17/14; G03B 17/56; G03B 17/561–568; G03B 21/20; G02B 7/00–002; F16M 11/02; F16M 11/04; F16M 11/20; F16M 11/40  
See application file for complete search history.

(56) **References Cited**  
U.S. PATENT DOCUMENTS  
D290,963 S \* 7/1987 Groschupp ..... D16/244  
5,794,899 A \* 8/1998 Tamlos ..... F41A 23/12  
248/166  
6,824,319 B1 \* 11/2004 Speggorin ..... F16C 11/10  
248/168  
6,877,915 B1 \* 4/2005 Wei ..... F16M 11/105  
348/143  
6,983,916 B2 \* 1/2006 Raynaud ..... F16M 11/046  
248/163.2  
D600,737 S \* 9/2009 Sudhana ..... D16/244  
D607,037 S \* 12/2009 Lee ..... D16/244  
D607,917 S \* 1/2010 Darrow ..... D16/242  
D807,421 S \* 1/2018 Yin ..... D16/244

2008/0224000 A1\* 9/2008 Yang ..... F16M 11/16  
248/188.5  
2009/0250567 A1\* 10/2009 Raynaud ..... F16M 11/16  
248/168  
2015/0076296 A1\* 3/2015 Yang ..... F16M 11/041  
248/163.2

FOREIGN PATENT DOCUMENTS  
KR 3020150039727 \* 8/2015

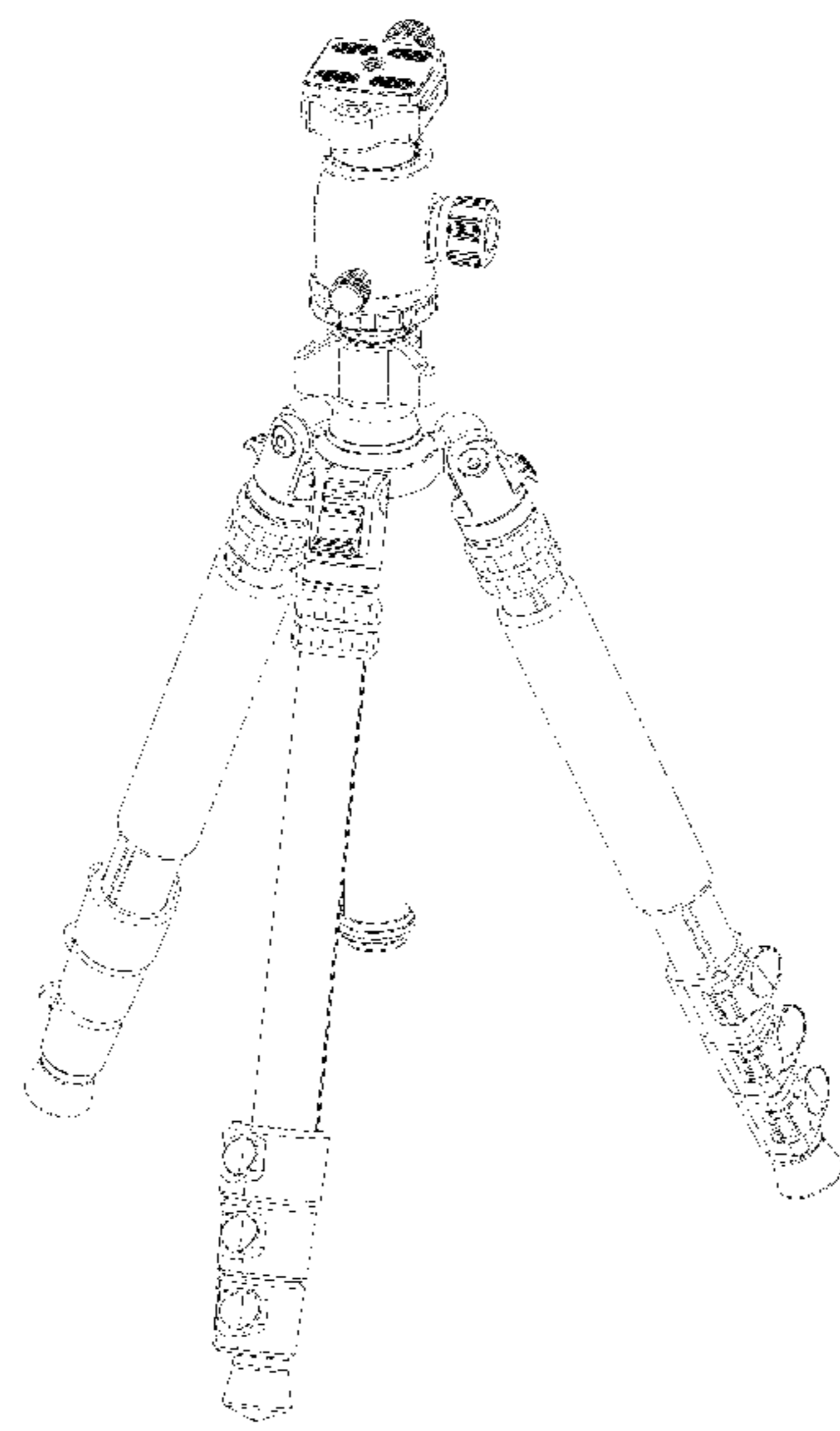
OTHER PUBLICATIONS  
Baino tripod if19 SLR camera photography tripod portable aluminum alloy detachable foot can be folded tripod. Online, published date unknown. Retrieved on Apr. 5, 2018 from URL: <https://www.sgshop.com/taobao/tao-bao/details?tbid=544896626891&cid=50003479&sptitle=%E7%99%BE%E8%AF%BAIF19%E4%B8%89%E8%84%9A%E6%9E%B6%E5%8>.\*

(Continued)  
*Primary Examiner* — Janice Hallmark  
*Assistant Examiner* — Omeed Agilee

(57) **CLAIM**  
The ornamental design for a tripod, as shown and described.

**DESCRIPTION**  
FIG. 1 is a front elevational view of tripod showing my new design;  
FIG. 2 is a rear elevational view thereof;  
FIG. 3 is a left side elevational view thereof;  
FIG. 4 is a right side elevational view thereof;  
FIG. 5 is a top plan view thereof;  
FIG. 6 is a bottom plan view thereof; and,  
FIG. 7 is a perspective view thereof.  
The evenly spaced broken lines and the areas within them depict portions of the tripod that form no part of the claimed design.

**1 Claim, 7 Drawing Sheets**



(56)

**References Cited**

OTHER PUBLICATIONS

Manfrotto MT055XPRO3 3-Section Aluminium Tripod with MVH502AH Professional Fluid Video Head and a 35" Padded Case. Online, published date Jan. 28, 2015. Retrieved on Apr. 5, 2018 from URL: <https://www.amazon.com/Manfrotto-MT055XPRO3-3-Section-Aluminium-Professional/dp/B00SVWXCOK?tag=photography0dd-20>.\*

\* cited by examiner

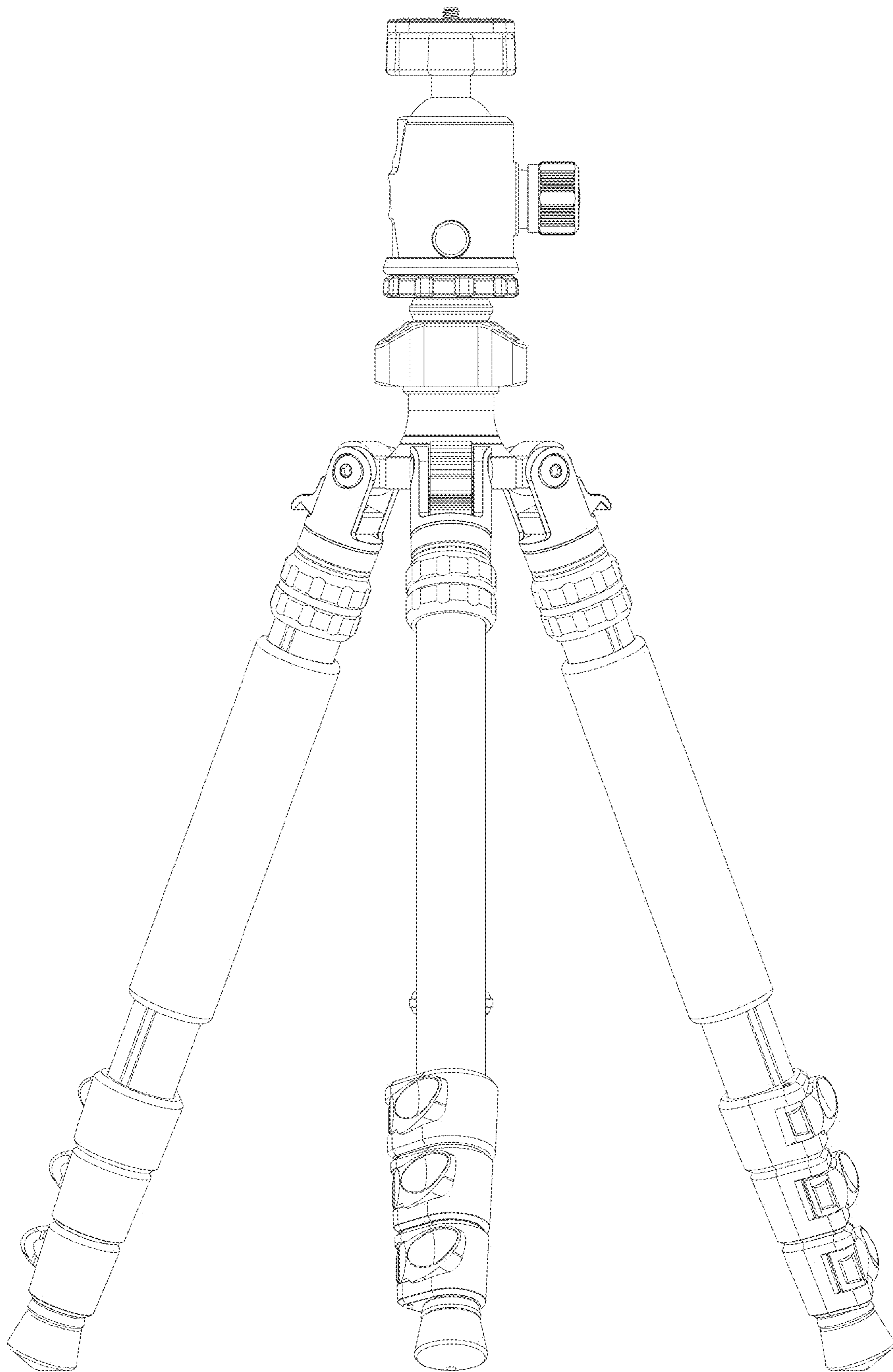


FIG. 1

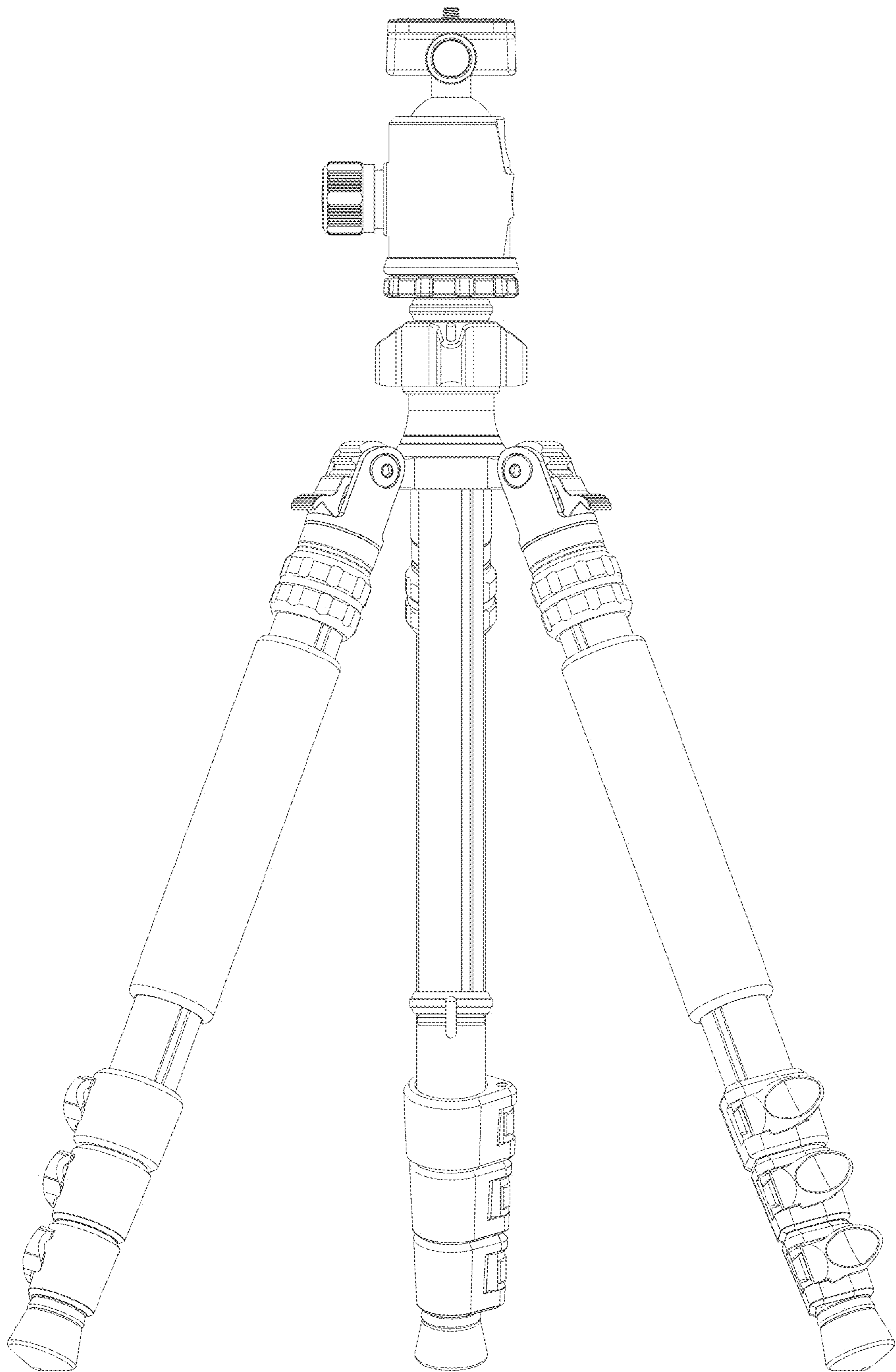


FIG.2



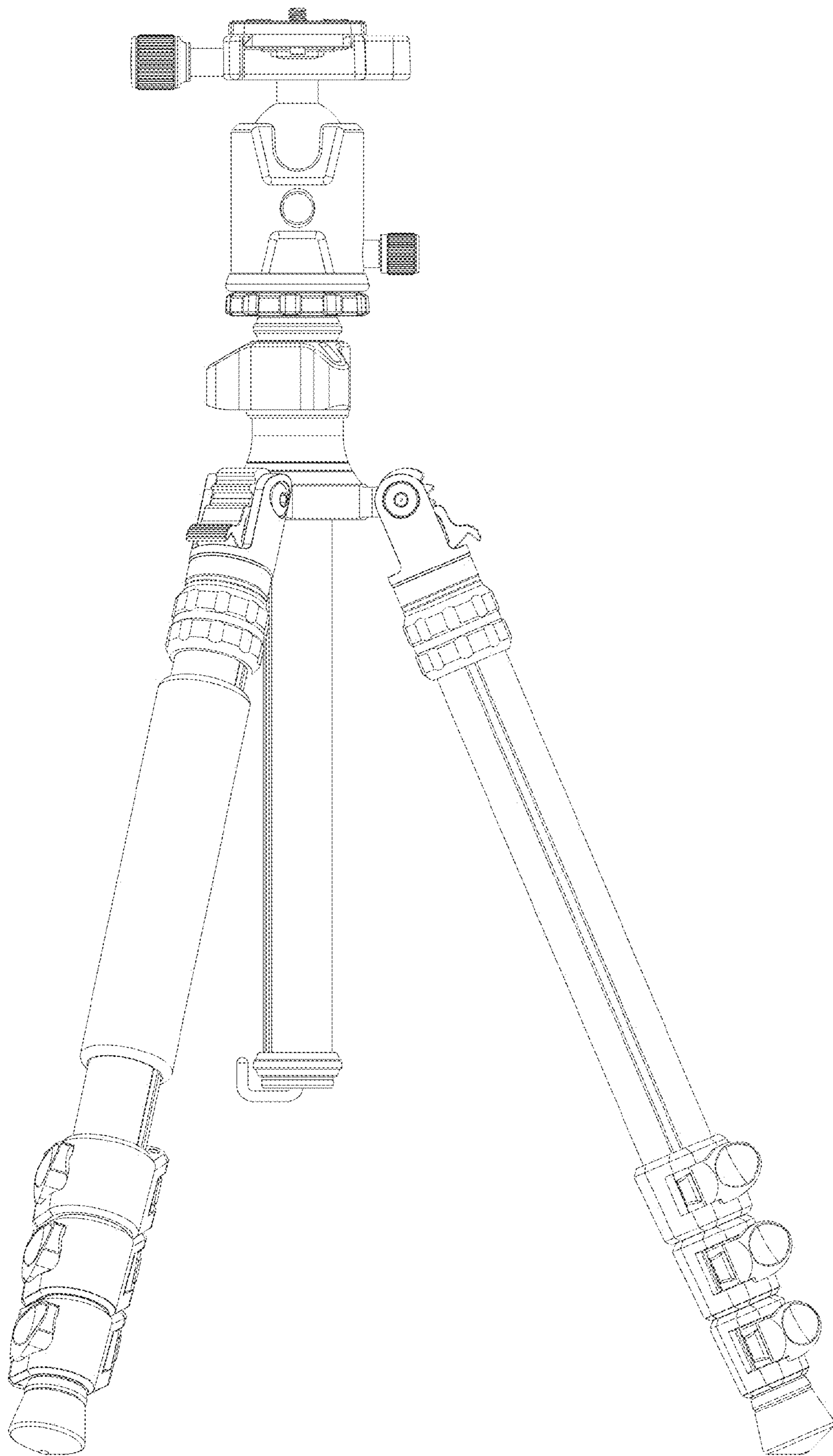


FIG.3

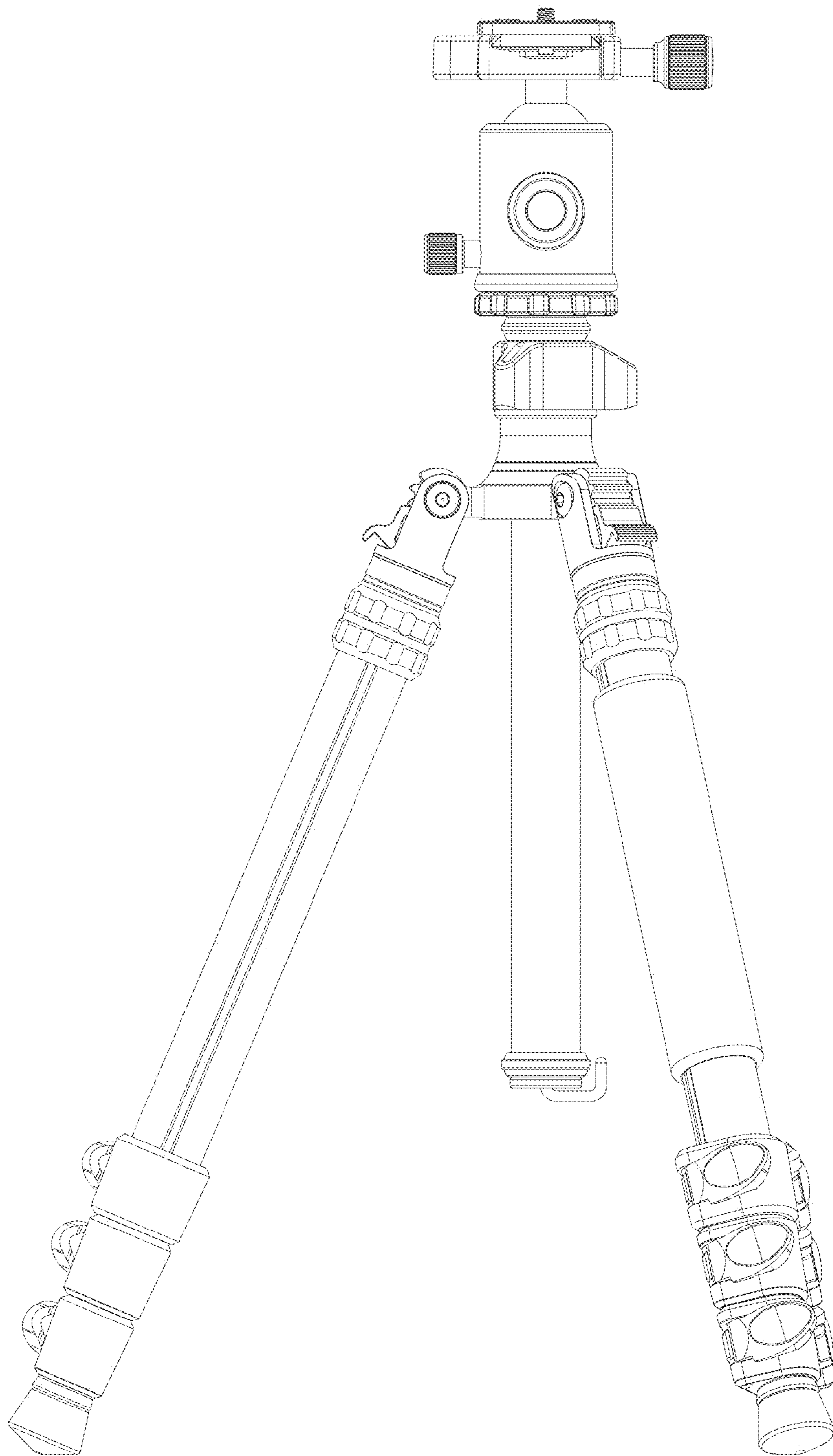


FIG.4

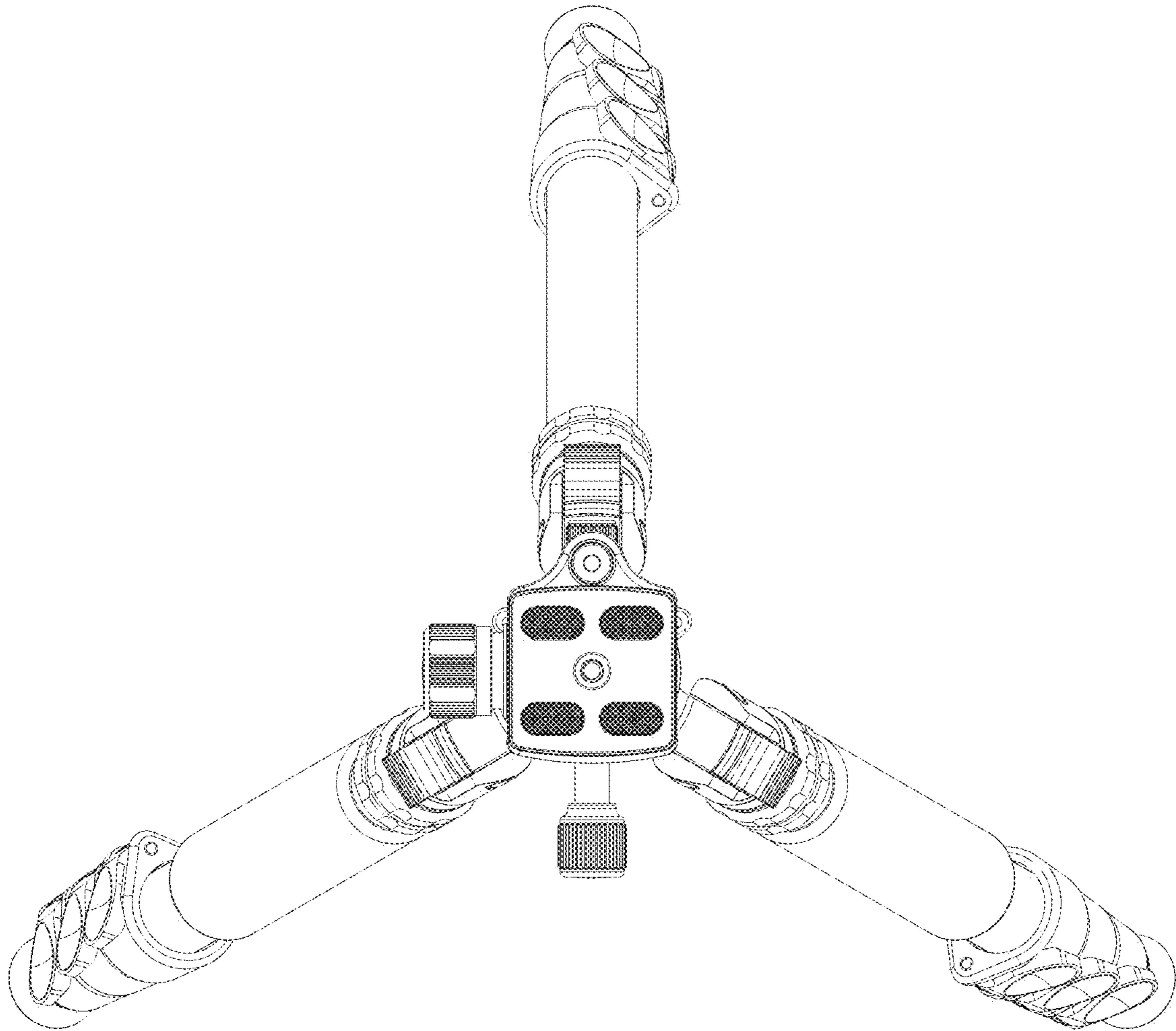


FIG.5

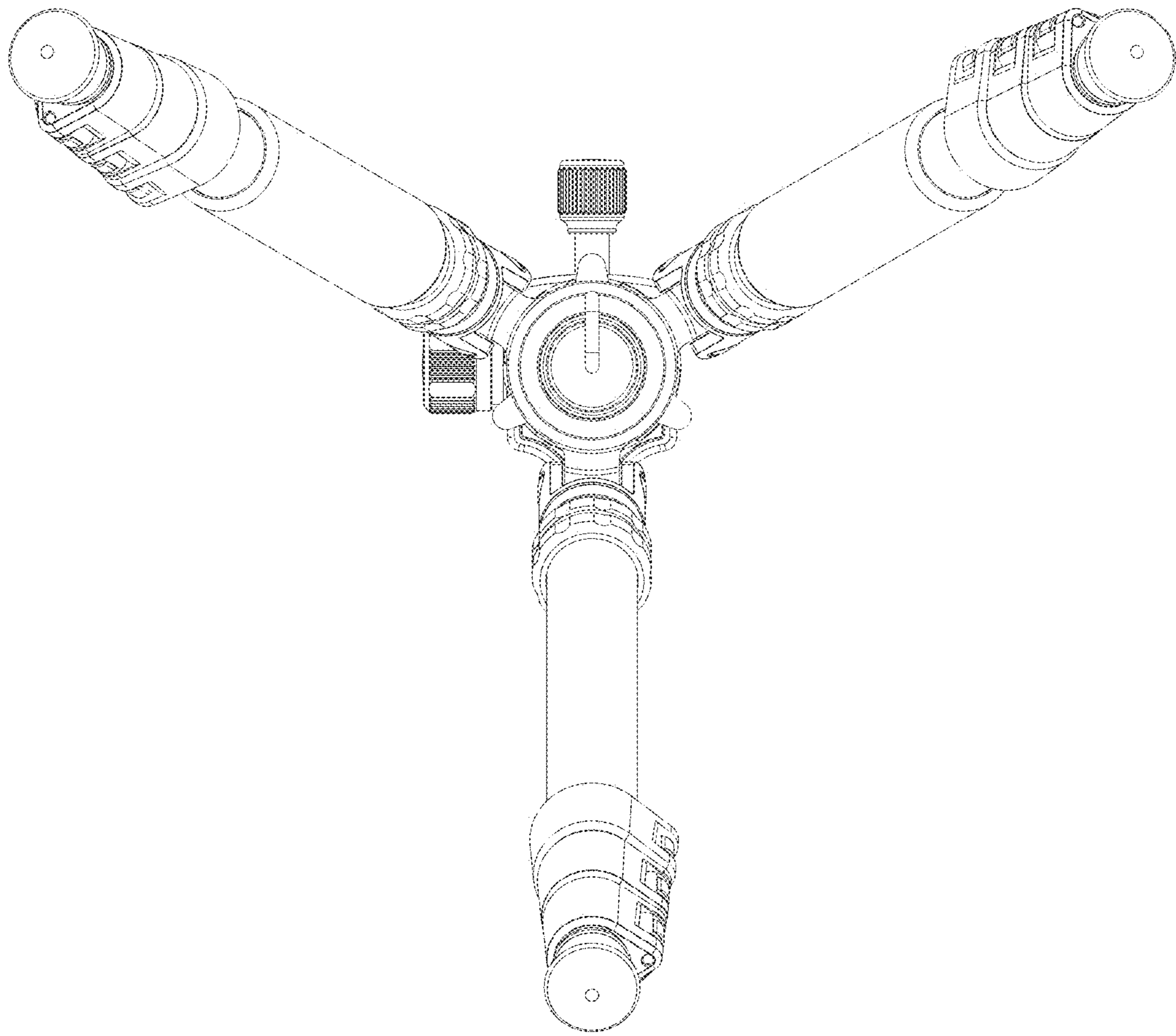


FIG. 6



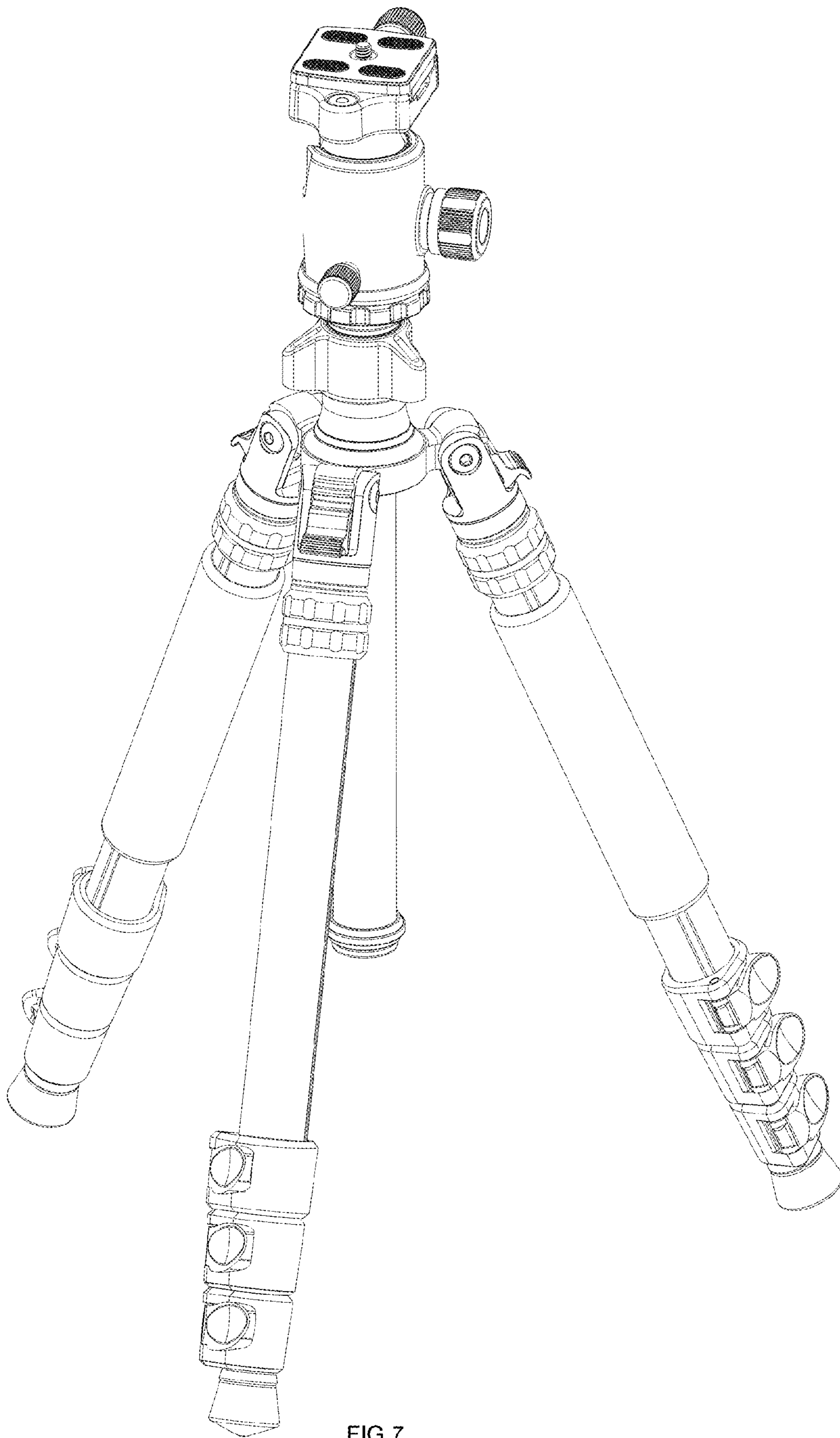


FIG. 7