

US00D907104S

(12) **United States Design Patent** (10) **Patent No.:** **US D907,104 S**  
**Zajac et al.** (45) **Date of Patent:** **\*\* Jan. 5, 2021**

(54) **MIRROR CAMERA BRACKET**  
(71) Applicants: **Christopher Zajac**, South Windsor, CT (US); **Marlon Fuller**, Winter Garden, FL (US)  
(72) Inventors: **Christopher Zajac**, South Windsor, CT (US); **Marlon Fuller**, Winter Garden, FL (US)

D699,270 S \* 2/2014 Beidler ..... D15/31  
D757,631 S \* 5/2016 Jamieson ..... D12/223  
D803,294 S \* 11/2017 Peabody ..... D16/242  
D839,948 S \* 2/2019 Chueh ..... D16/242  
D857,785 S \* 8/2019 Lovisone ..... D16/242  
D870,187 S \* 12/2019 Joulani ..... D16/242  
D875,168 S \* 2/2020 Kyte ..... D16/242  
D876,528 S \* 2/2020 Sequeira de Sousa ..... D16/242  
D883,073 S \* 5/2020 Jaramillo ..... D8/354  
D888,349 S \* 6/2020 Yoo ..... D30/158

(\*\*) Term: **15 Years**  
(21) Appl. No.: **29/686,348**  
(22) Filed: **Apr. 3, 2019**  
(51) **LOC (13) Cl.** ..... **16-05**  
(52) **U.S. Cl.**  
USPC ..... **D16/242**  
(58) **Field of Classification Search**  
USPC ..... D16/219, 237-250; D14/229, 238, 251, D14/253, 447, 451, 457; D8/354, 355, D8/363, 373, 382-383, 394-396  
CPC ..... A45F 2200/0508-0533; A45F 5/00; A45F 5/10; F16M 11/06-10; F16M 11/14; G02B 7/00-002; G03B 17/56; G03B 17/561-566; H04N 5/2253-2254  
See application file for complete search history.

**OTHER PUBLICATIONS**

Pickup Truck Manual Towing Tow with Support Brackets . [online] Published on May 22, 2018. Retrieved Jul. 30, 2020 from URL: <https://www.amazon.com/1994-2001-1994-2002-Support-Brackets-Passenger/dp/B009TU9S9G>.\*

\* cited by examiner

*Primary Examiner* — Vy N Koenig  
(74) *Attorney, Agent, or Firm* — Jason T. Daniel, Esq.; Daniel Law Offices, P.A.

(57) **CLAIM**

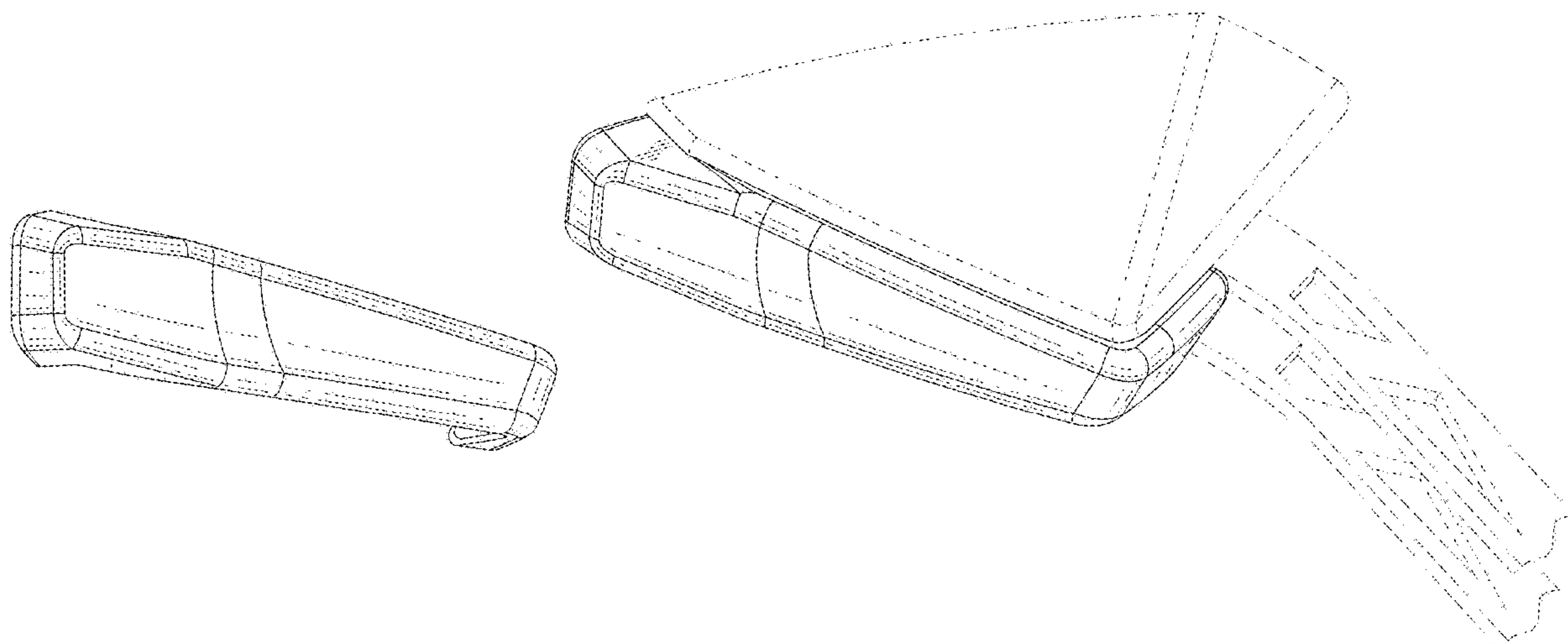
The ornamental design for a mirror camera bracket, as shown and described.

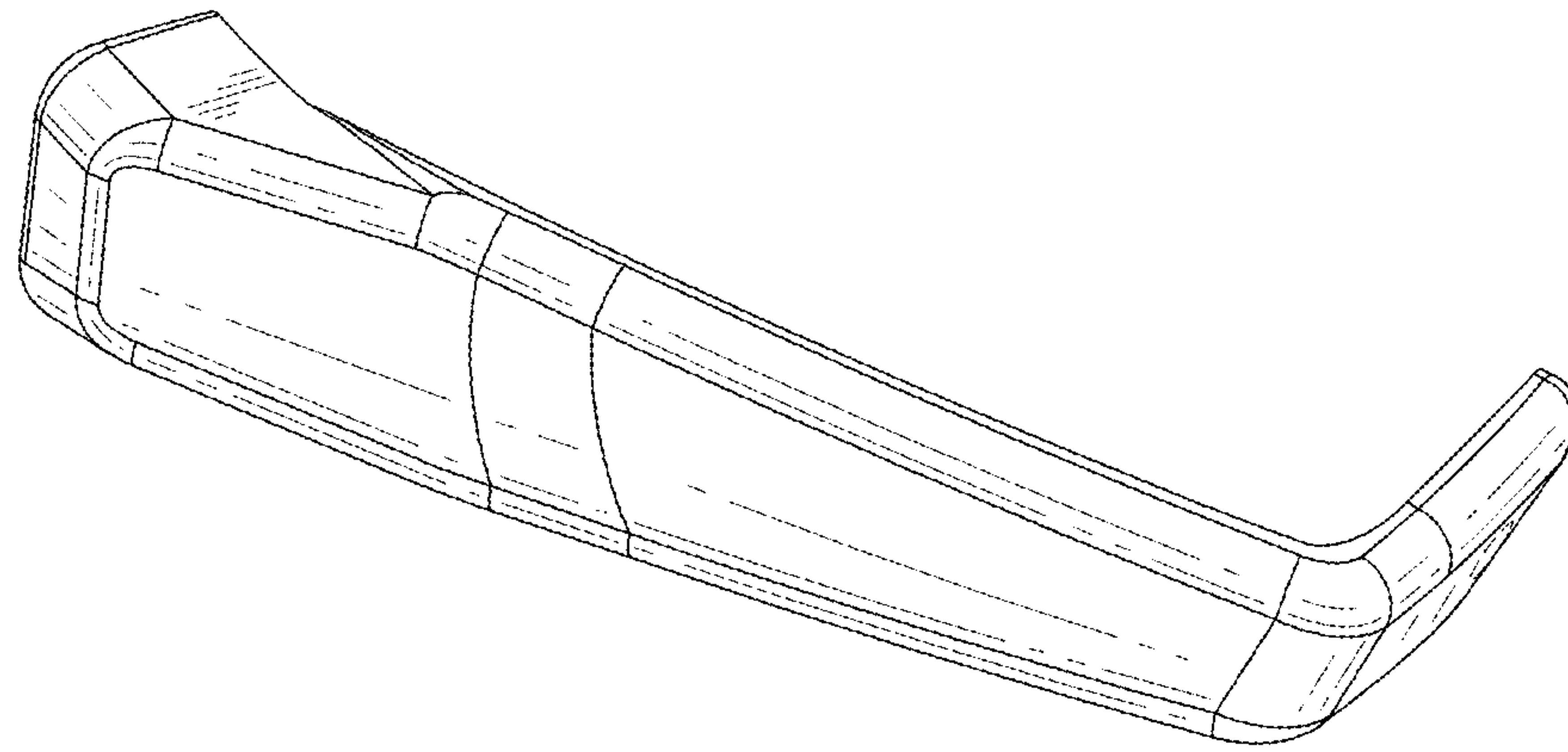
**DESCRIPTION**

FIG. 1 is a perspective view of a mirror camera bracket showing our new design, FIG. 2 is a back side view thereof, FIG. 3 is a front side view thereof, FIG. 4 is a right side view thereof, FIG. 5 is a left side view thereof, FIG. 6 is a bottom side view thereof, FIG. 7 is a top side view thereof; and, FIG. 8 is a perspective view thereof shown in an example environment.  
In the drawings, the broken lines are for the purpose of illustrating environment only and form no part of the claimed design.

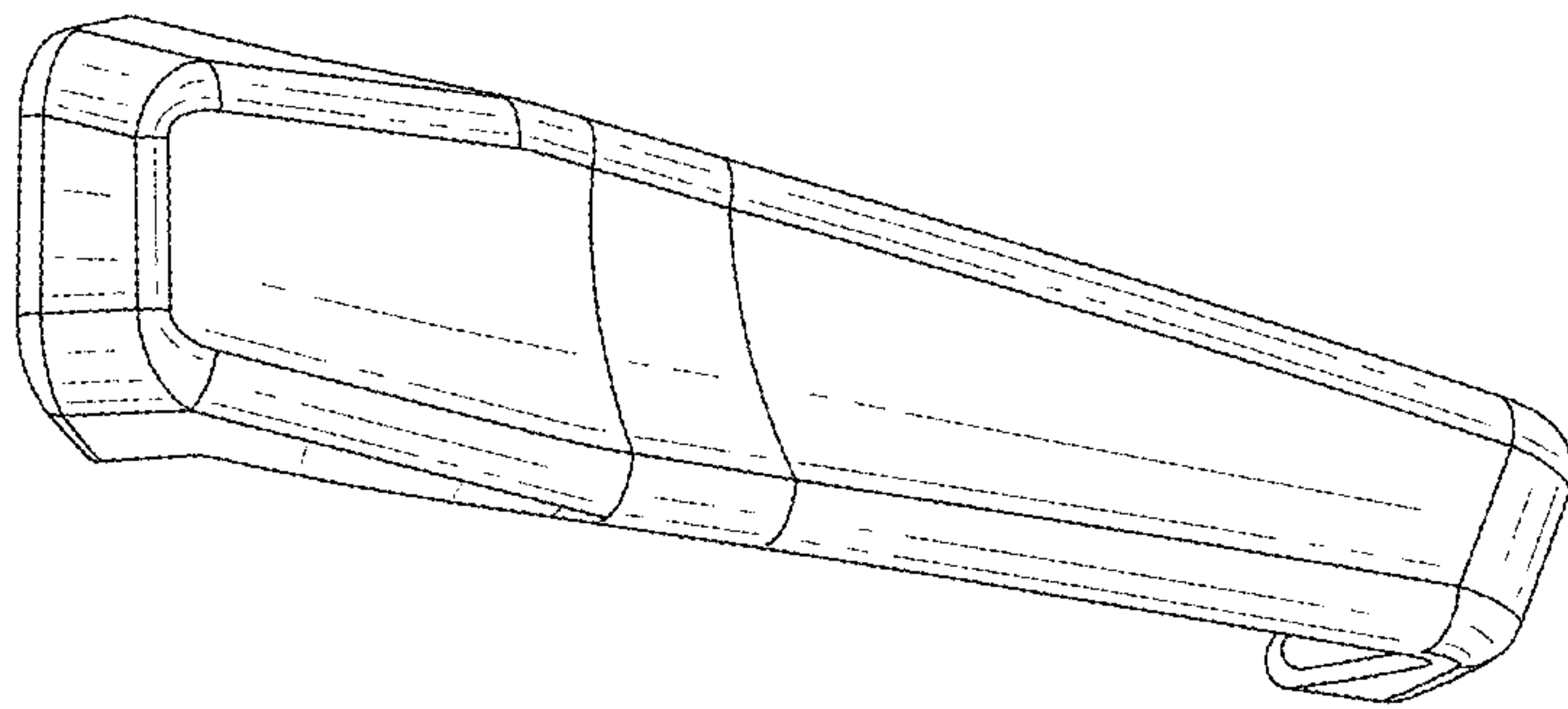
**1 Claim, 4 Drawing Sheets**

(56) **References Cited**  
**U.S. PATENT DOCUMENTS**  
D344,665 S \* 3/1994 Baker ..... D8/88  
D356,641 S \* 3/1995 Stewart ..... D24/176  
D428,322 S \* 7/2000 Munch ..... D8/302  
D438,780 S \* 3/2001 Horsten ..... D8/363  
6,264,353 B1 \* 7/2001 Caraher ..... B60Q 1/2665  
340/475  
D487,243 S \* 3/2004 McCoy ..... D12/223  
D514,500 S \* 2/2006 Schultz ..... D12/317  
D555,459 S \* 11/2007 Goodwin, III ..... D8/363  
D602,478 S \* 10/2009 Pesdirz ..... D14/224  
D639,837 S \* 6/2011 Stirnemann ..... D15/199  
D651,068 S \* 12/2011 Kang ..... D8/363  
D657,231 S \* 4/2012 Springer ..... D8/354

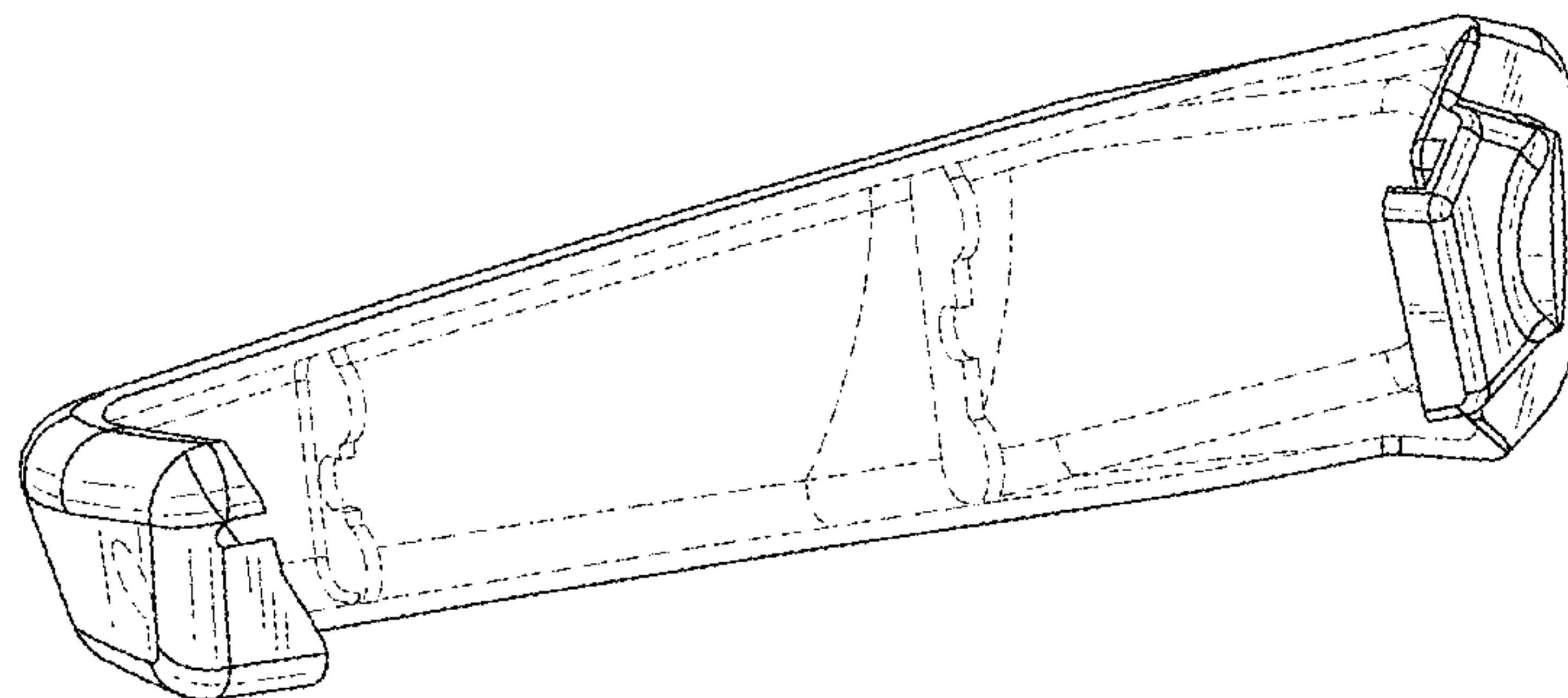




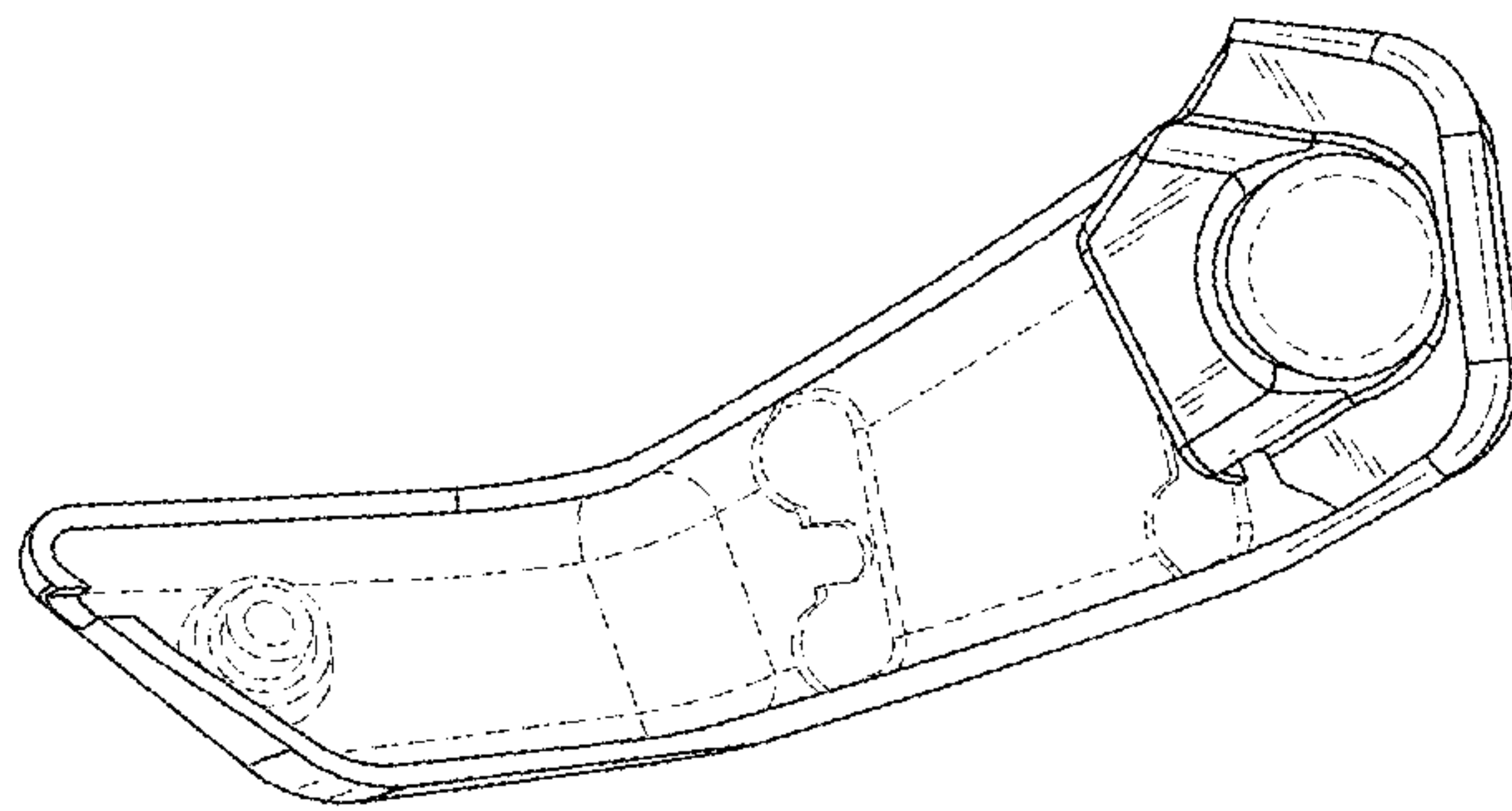
*FIG. 1*



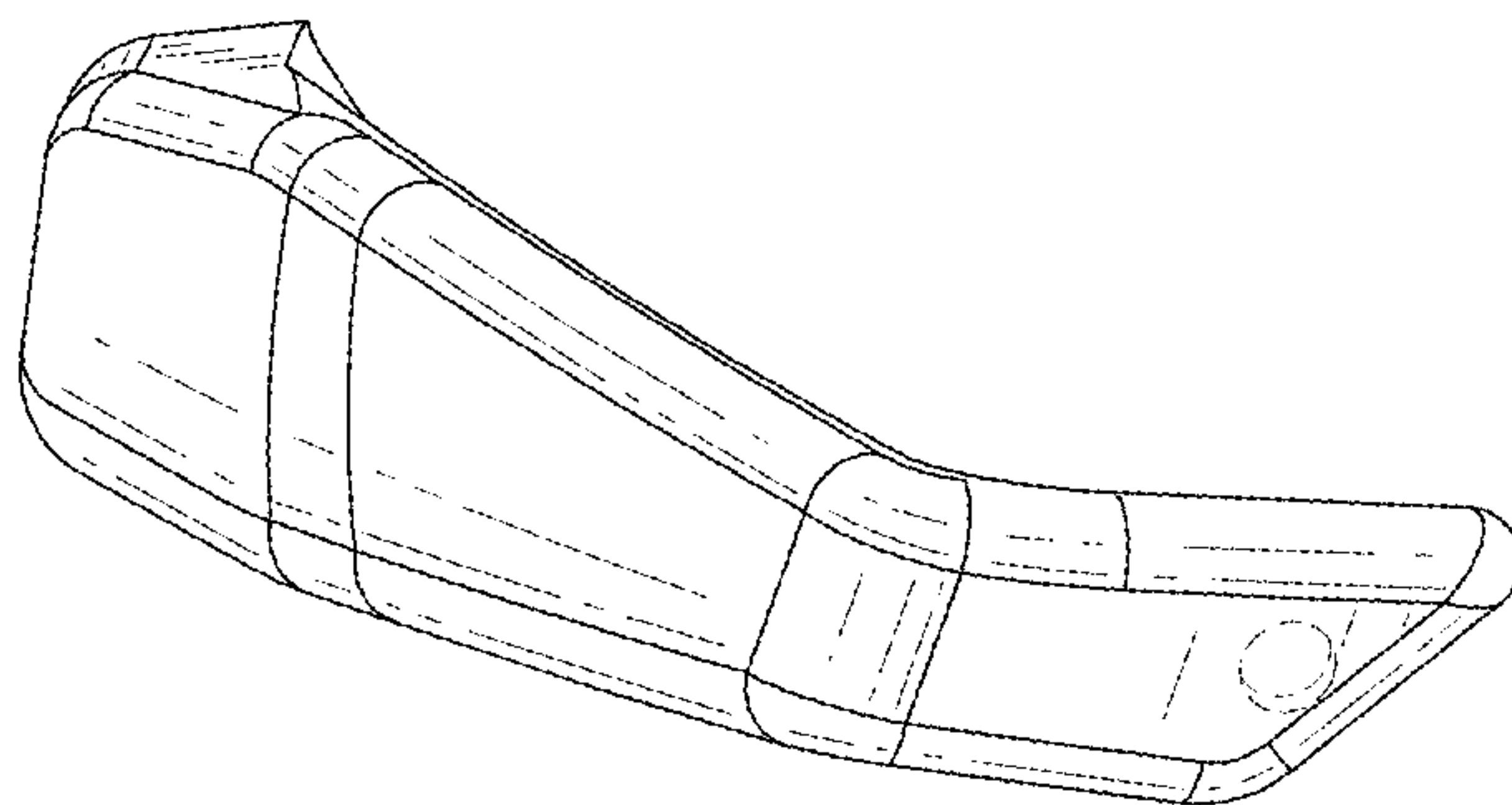
*FIG. 2*



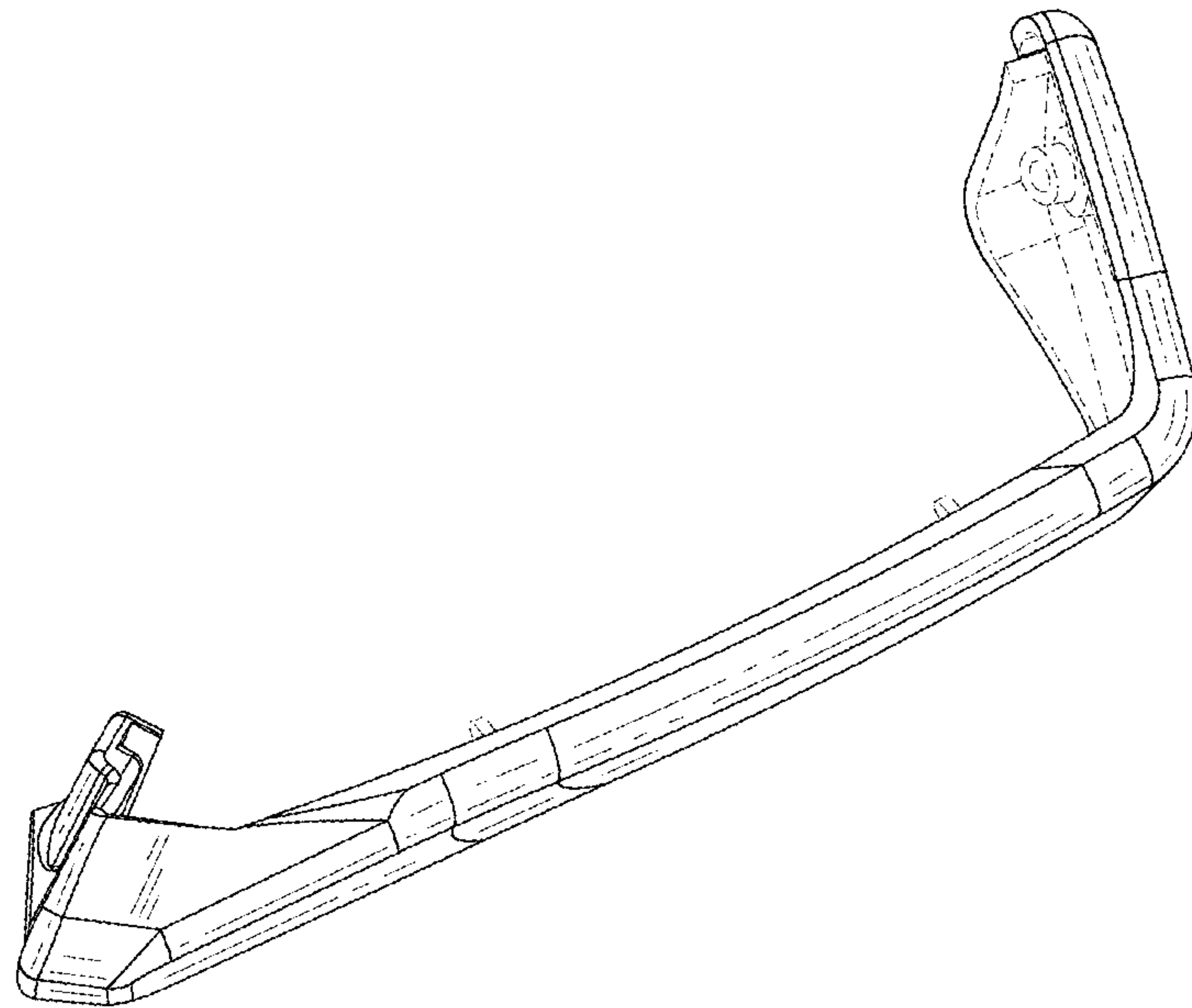
*FIG. 3*



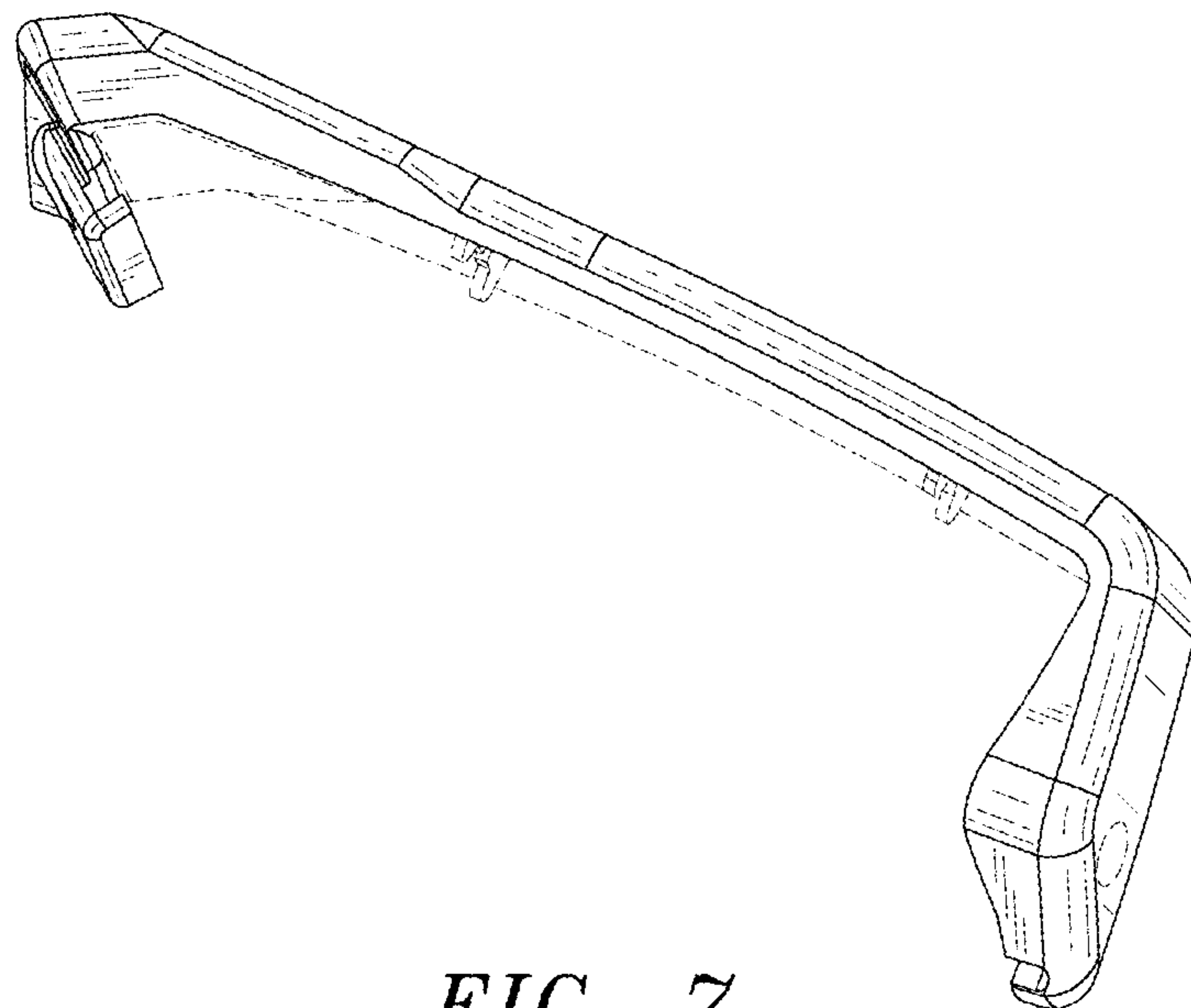
*FIG. 4*



*FIG. 5*



*FIG. 6*



*FIG. 7*



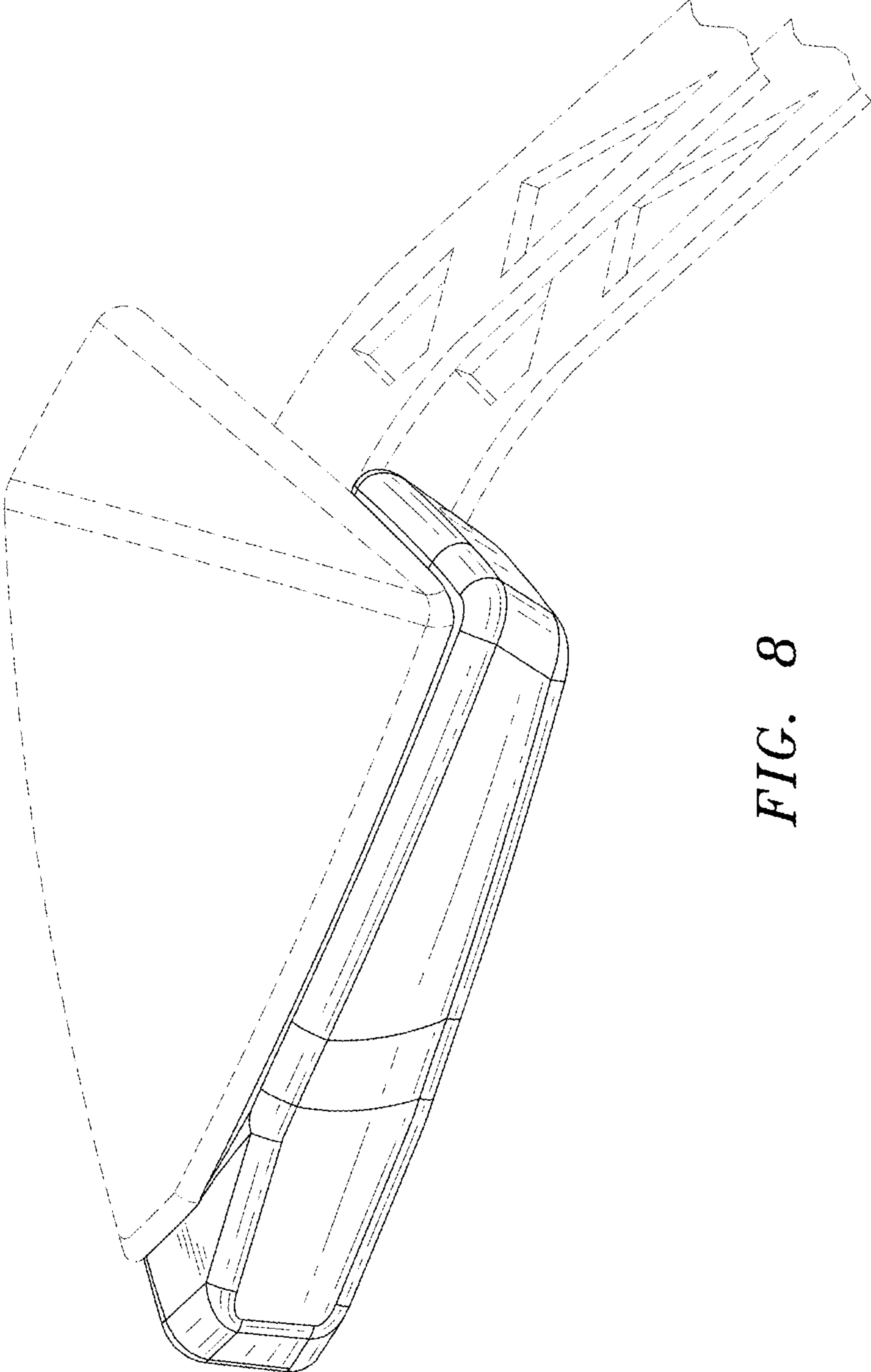


FIG. 8