



US00D907103S

(12) **United States Design Patent** (10) **Patent No.:** **US D907,103 S**  
**Zhao et al.** (45) **Date of Patent:** **\*\* Jan. 5, 2021**

(54) **LASER DESKTOP PROJECTOR**  
(71) Applicant: **Beijing Xiaomi Mobile Software Co., Ltd., Beijing (CN)**  
(72) Inventors: **Ziran Zhao, Beijing (CN); Ningning Li, Beijing (CN); Lei Zhang, Beijing (CN)**  
(73) Assignee: **BEIJING XIAOMI MOBILE SOFTWARE CO., LTD., Beijing (CN)**

D649,148 S \* 11/2011 Gengoux ..... D14/300  
D670,321 S \* 11/2012 Chien ..... D16/221  
D711,463 S \* 8/2014 Costabeber ..... D14/300  
D734,312 S \* 7/2015 Schmidt ..... D14/300  
D736,758 S \* 8/2015 Schmidt ..... D14/300  
D748,714 S \* 2/2016 Itou ..... D16/229  
D750,153 S \* 2/2016 Itou ..... D16/229  
D774,587 S \* 12/2016 Shiono ..... D16/235  
D838,354 S \* 1/2019 Farone ..... D23/364  
D857,781 S \* 8/2019 Wang ..... D16/231  
D871,488 S \* 12/2019 Lee ..... D16/221  
D884,058 S \* 5/2020 He ..... D16/230

(\*\*) Term: **15 Years**  
(21) Appl. No.: **35/507,067**  
(22) Filed: **Jan. 9, 2019**  
(80) **Hague Agreement Data**  
Int. Filing Date: **Jan. 9, 2019**  
Int. Reg. No.: **DM/200641**  
Int. Reg. Date: **Jan. 9, 2019**  
Int. Reg. Pub. Date: **Jul. 12, 2019**

(30) **Foreign Application Priority Data**  
Jul. 11, 2018 (CN) ..... 2018 3 0372576  
(51) **LOC (13) Cl.** ..... **16-02**  
(52) **U.S. Cl.**  
USPC ..... **D16/230**  
(58) **Field of Classification Search**  
USPC ..... D16/221, 225, 229-231, 234, 235;  
D14/300, 301, 496, 125, 135, 188  
CPC .... G03B 21/001; G03B 21/003; G03B 21/12;  
G03B 21/14; G03B 21/145  
See application file for complete search history.

(56) **References Cited**  
U.S. PATENT DOCUMENTS  
D565,080 S \* 3/2008 Ishikawa ..... D16/221  
D606,066 S \* 12/2009 Lee ..... D14/301  
D629,827 S \* 12/2010 Morenstein ..... D16/221

**OTHER PUBLICATIONS**

Indonesia Patent Office, Office Action Issued in Application No. AID201900050, dated Jul. 30, 2019, 3 pages. (Submitted with English Translation).  
Office Action issued in corresponding Indian Design Application No. 313721-001 dated Jan. 17, 2019, 12 pages.  
Office Action issued in corresponding Indian Design Application No. 313724-001 dated Feb. 4, 2019, 10 pages.

\* cited by examiner

*Primary Examiner* — Melanie H Tung  
*Assistant Examiner* — Bao-Yen T Nguyen

(74) *Attorney, Agent, or Firm* — Syncoda LLC; Feng Ma

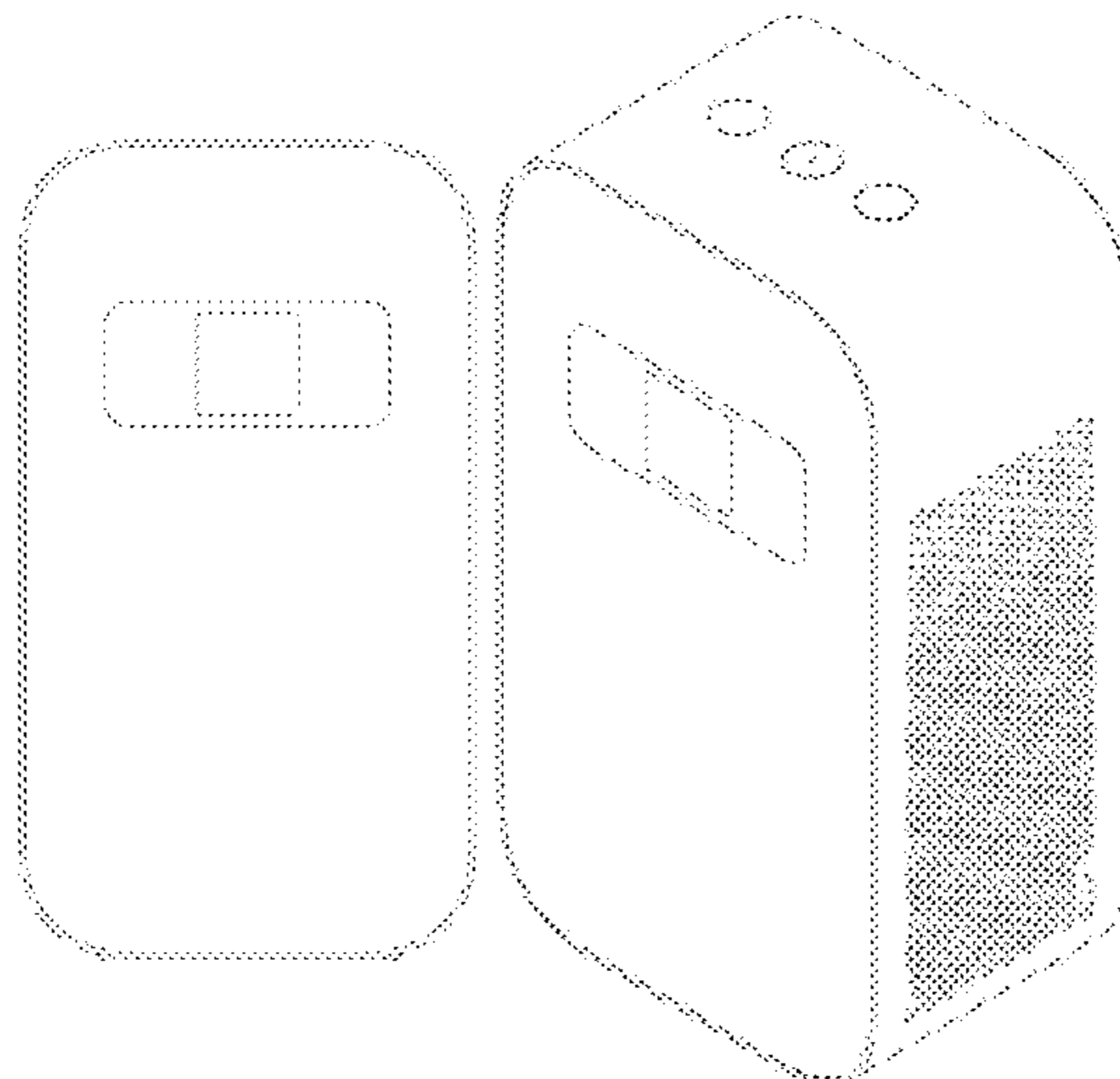
(57) **CLAIM**

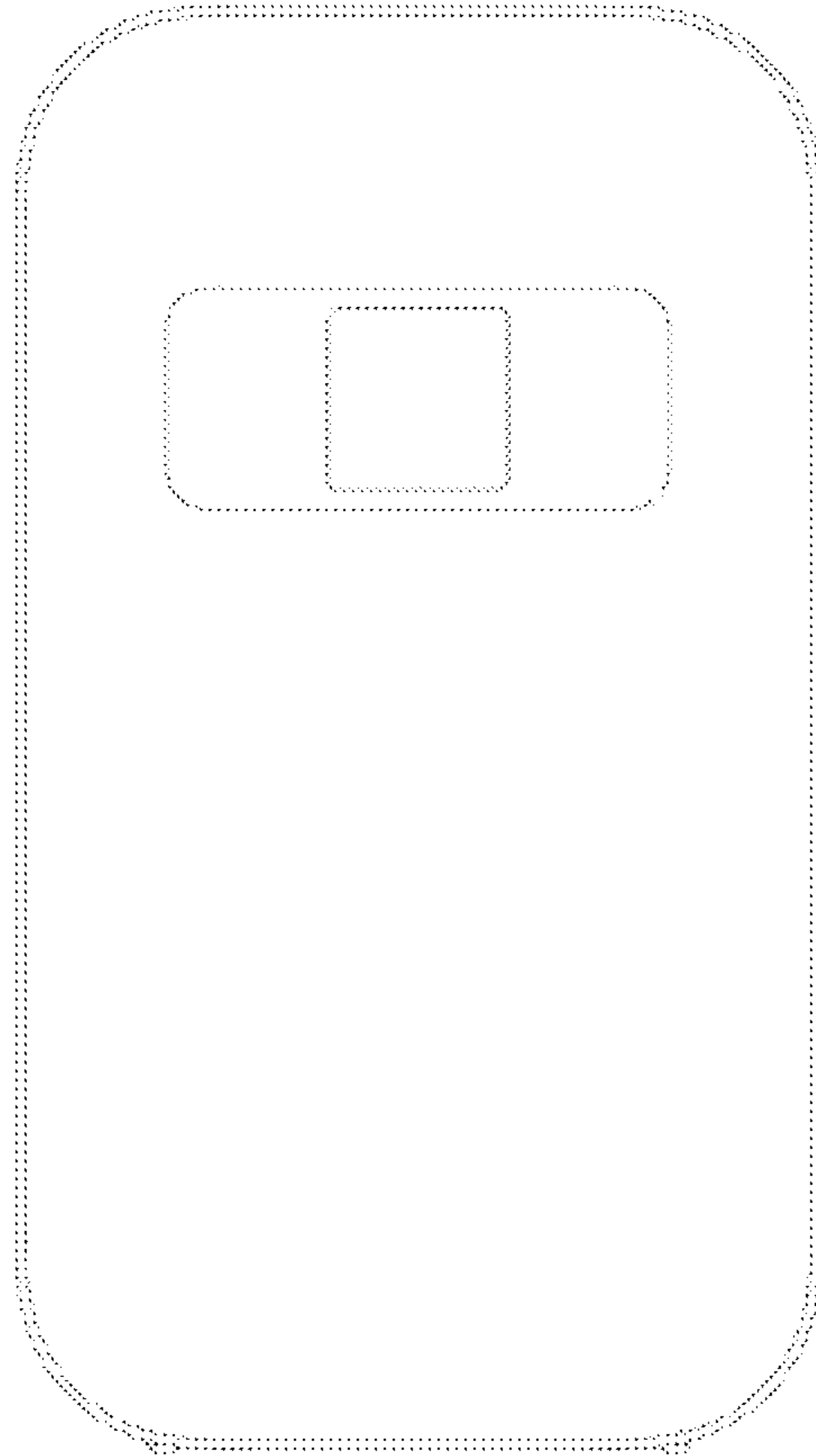
The ornamental design for a laser desktop projector, as shown and described.

**DESCRIPTION**

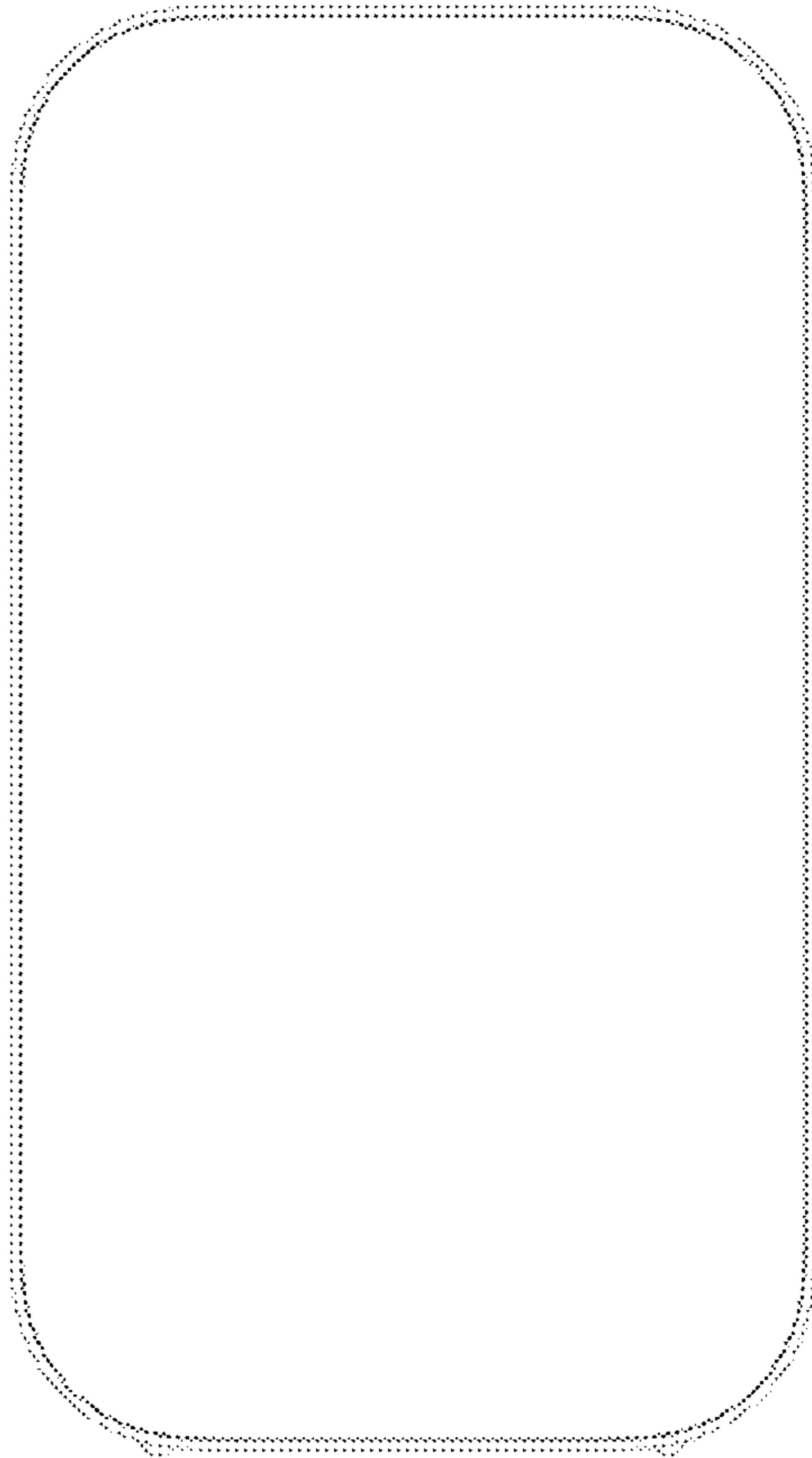
- 1.1: Front view of a laser desktop projector showing our new design.
- 1.2: Back view thereof.
- 1.3: Left side view thereof.
- 1.4: Right side view thereof.
- 1.5: Top view thereof.
- 1.6: Bottom view thereof.
- 1.7: Front, right and top side perspective view thereof.
- 1.8: Front, right and bottom side perspective view thereof.

**1 Claim, 8 Drawing Sheets**

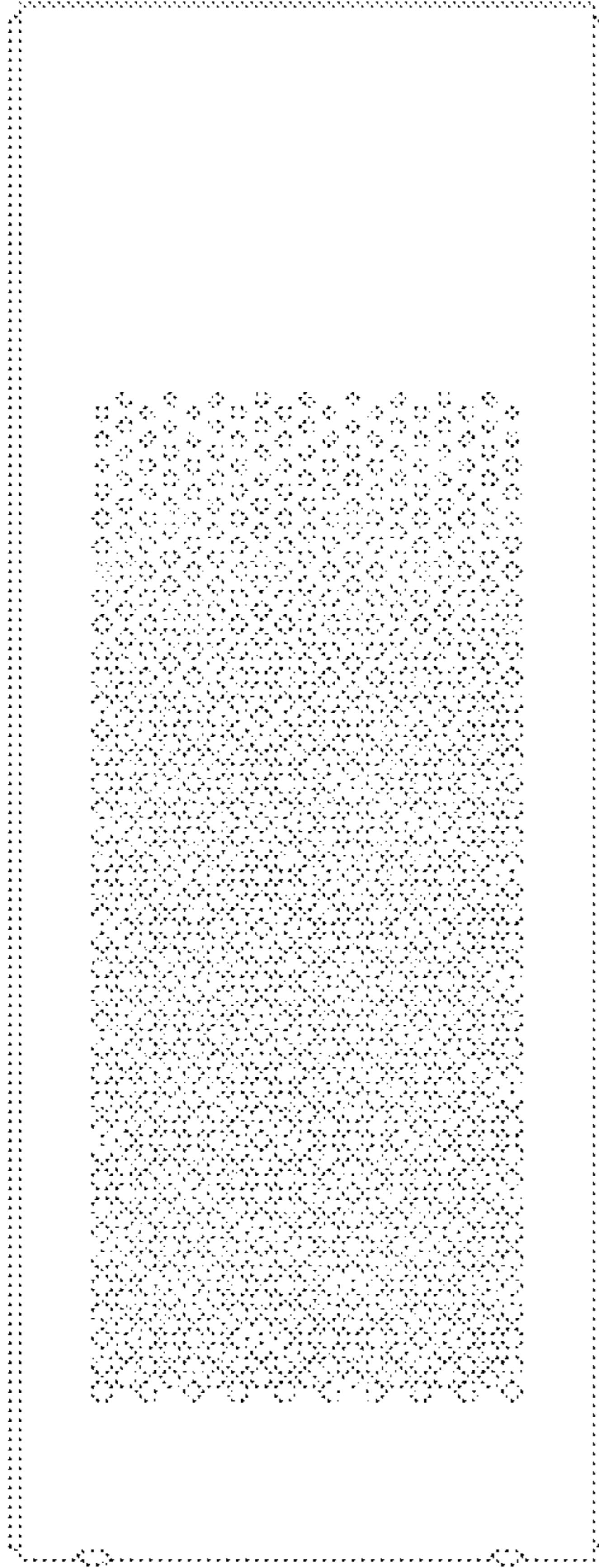




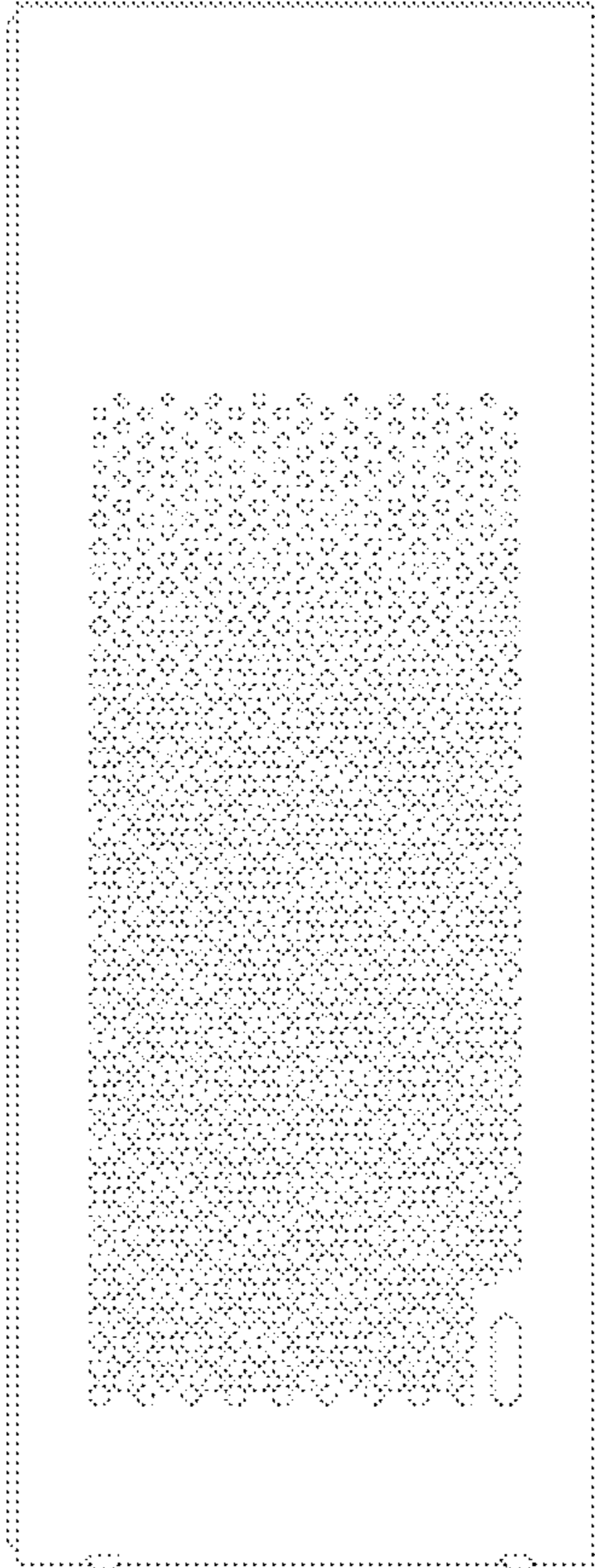
1.1

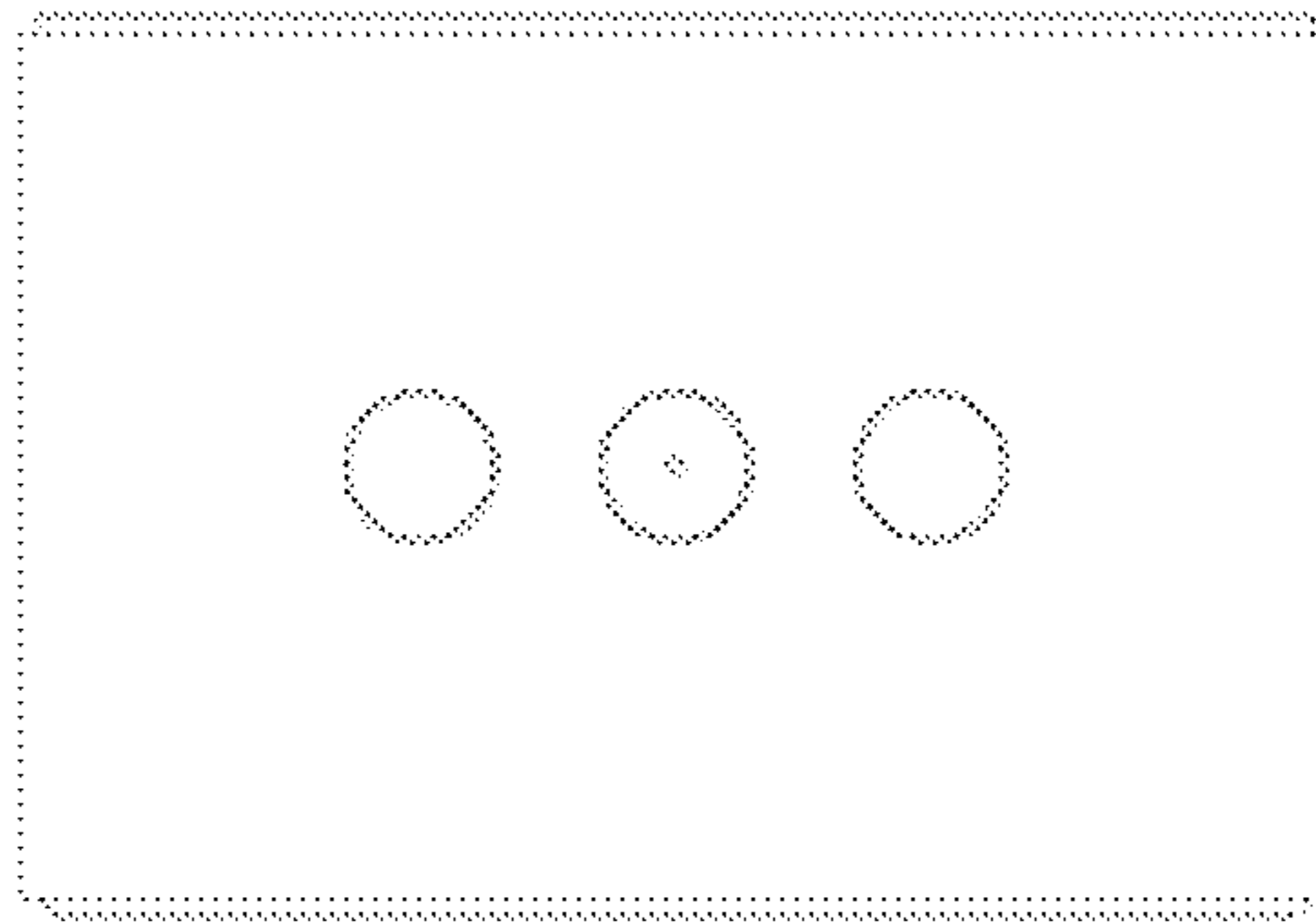


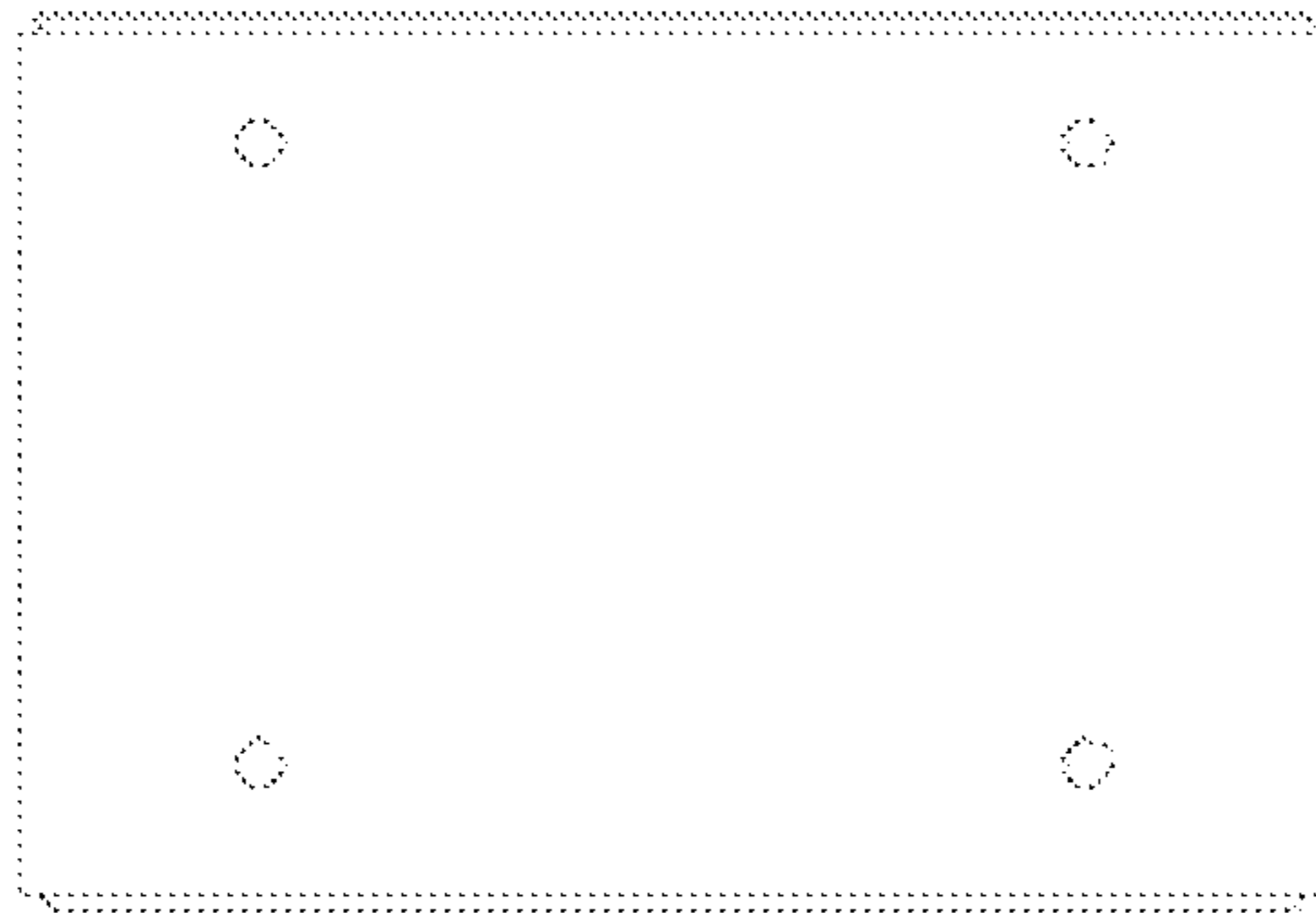
1.2

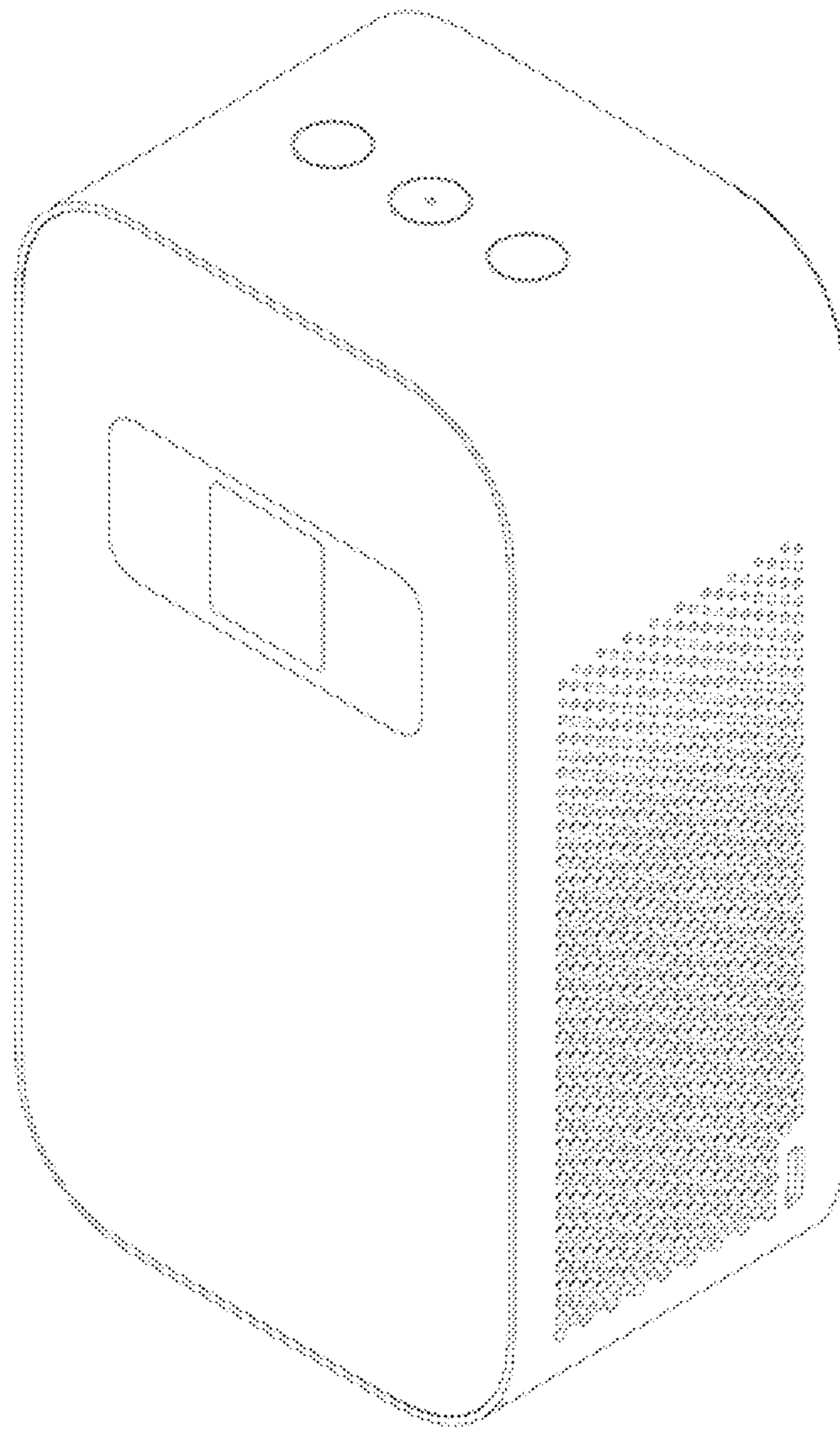


1.3



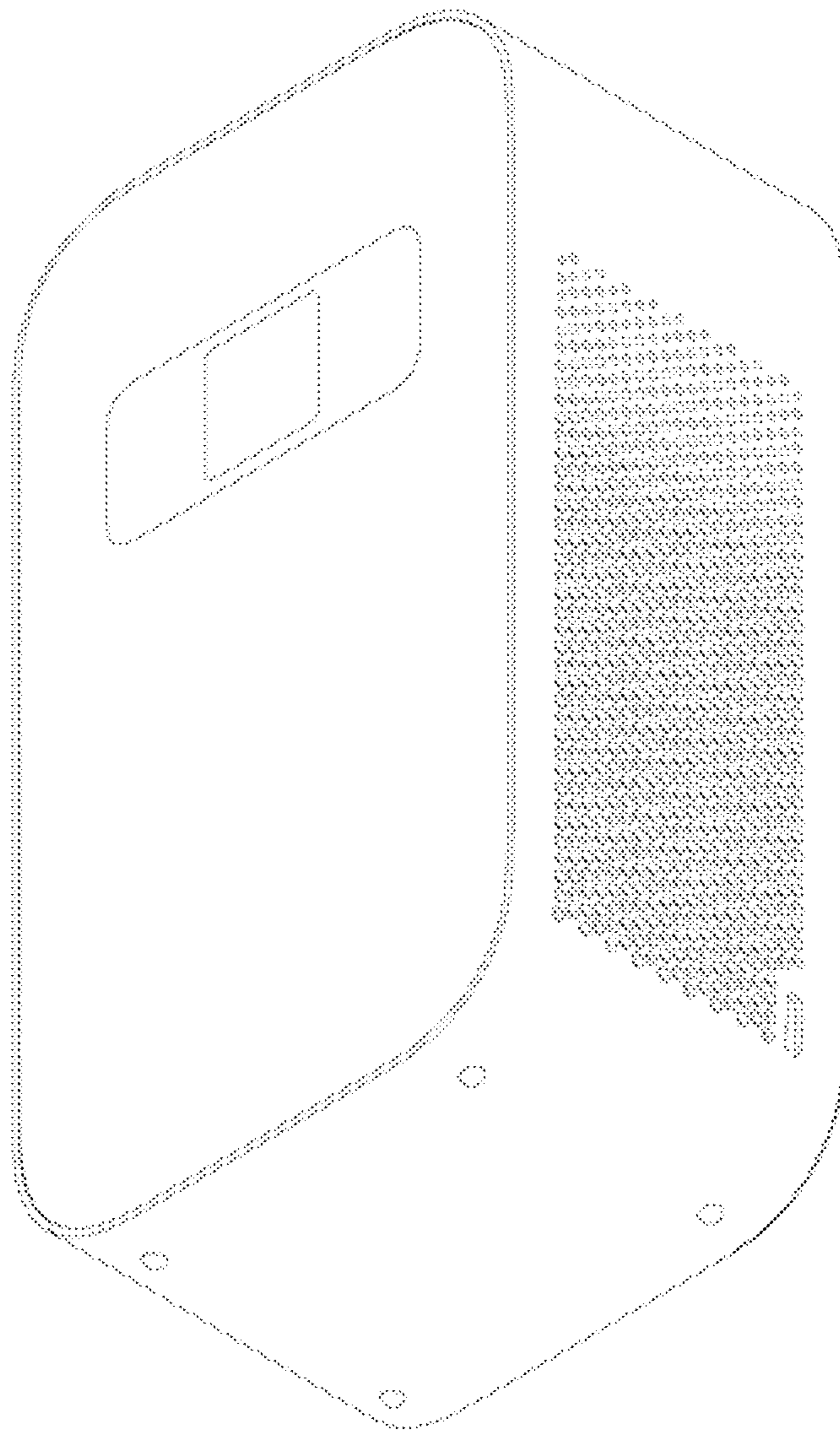






1.7





1.8