



US00D907102S

(12) **United States Design Patent**  
**Swartzendruber, Jr. et al.**

(10) **Patent No.:** **US D907,102 S**  
(45) **Date of Patent:** **\*\* Jan. 5, 2021**

(54) **LENS HOUSING**

(71) Applicant: **MicaSense, Inc.**, Seattle, WA (US)

(72) Inventors: **David Swartzendruber, Jr.**, Seattle, WA (US); **Steven Matthew Larsen**, Seattle, WA (US)

(73) Assignee: **MicaSense, Inc.**, Seattle, WA (US)

(\*\*) Term: **15 Years**

(21) Appl. No.: **29/691,516**

(22) Filed: **May 16, 2019**

(51) **LOC (13) Cl.** ..... **16-05**

(52) **U.S. Cl.**  
USPC ..... **D16/219; D16/202**

(58) **Field of Classification Search**  
USPC ..... D16/134, 136, 200, 202–205, 218, 219,  
D16/235, 242; 348/373–376;  
359/826–828; 396/529–532, 535,  
396/539–541  
CPC ..... G03B 17/02; G03B 19/04; G03B 17/56;  
G03B 17/04; G03B 15/03; G03B 17/14;  
H04N 5/2251; H04N 5/2252; H04N  
5/2253; H04N 5/2254; G02B 7/02; G02B  
7/04; G02B 7/14

See application file for complete search history.

(56) **References Cited**

**U.S. PATENT DOCUMENTS**

D657,409 S \* 4/2012 Miyashita ..... D16/203  
D671,584 S \* 11/2012 Ohno ..... D16/202  
D726,805 S \* 4/2015 Jannard ..... D16/237  
D743,472 S \* 11/2015 Tanifuji ..... D16/203  
D745,918 S \* 12/2015 Lee ..... D16/219

D745,919 S \* 12/2015 Lee ..... D16/219  
D755,270 S \* 5/2016 Vehlewald ..... D16/202  
D758,467 S \* 6/2016 Zhang ..... D16/202  
D758,468 S \* 6/2016 Darty ..... D16/207  
D777,232 S \* 1/2017 Lillquist ..... D16/202  
D789,999 S \* 6/2017 Yakabe ..... D16/200  
D878,448 S \* 3/2020 Kapuria ..... D16/208  
2014/0300742 A1 \* 10/2014 Han ..... H04N 5/2251  
348/148

\* cited by examiner

*Primary Examiner* — Ramzi S Almatrahi

(74) *Attorney, Agent, or Firm* — Seed IP Law Group LLP

(57) **CLAIM**

The ornamental design for a lens housing, as shown and described.

**DESCRIPTION**

FIG. 1 is a front perspective view of a lens housing showing our new design.

FIG. 2 is a rear perspective view thereof.

FIG. 3 is a top plan view thereof.

FIG. 4 is a bottom plan view thereof.

FIG. 5 is a front elevational view thereof.

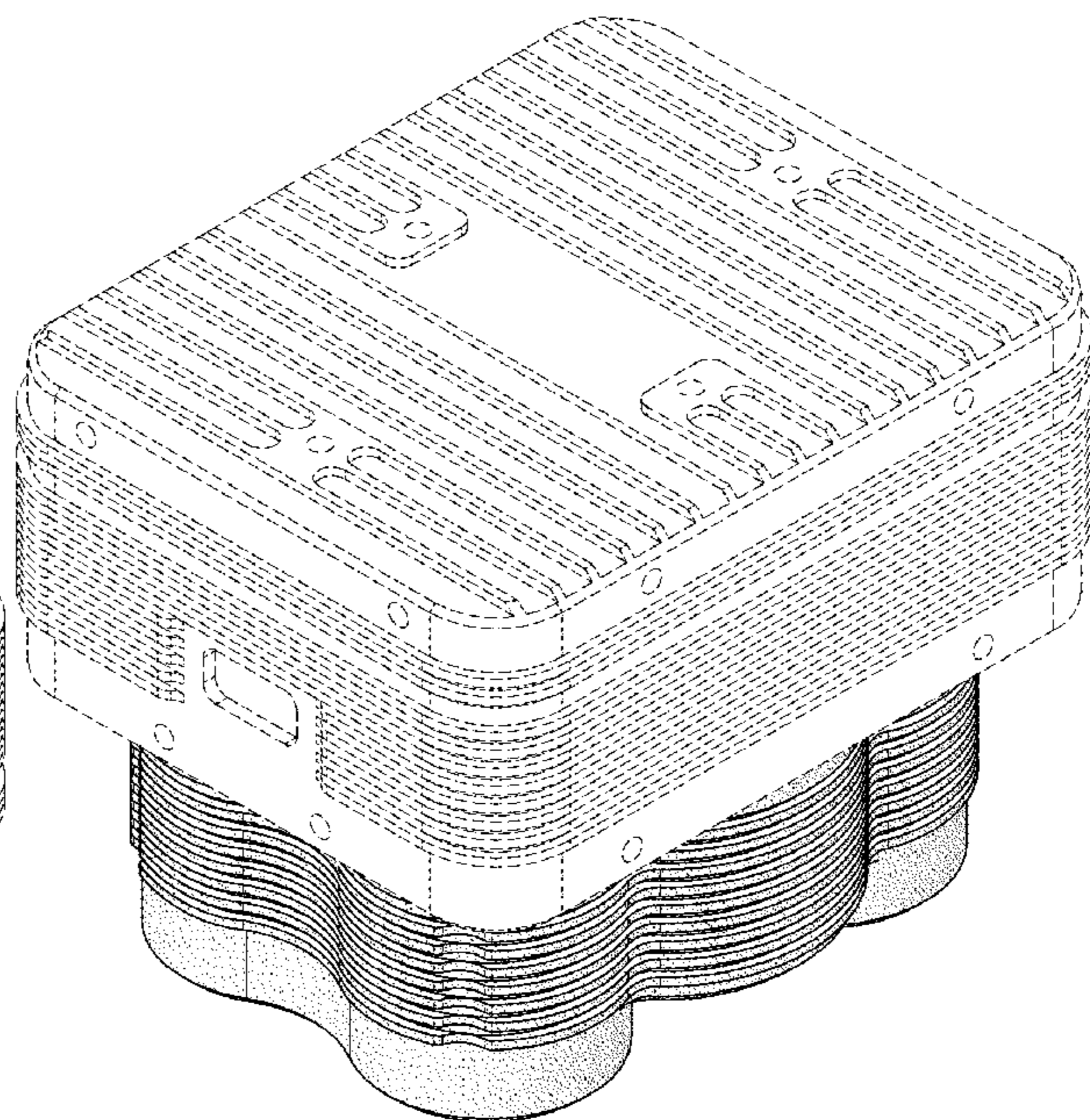
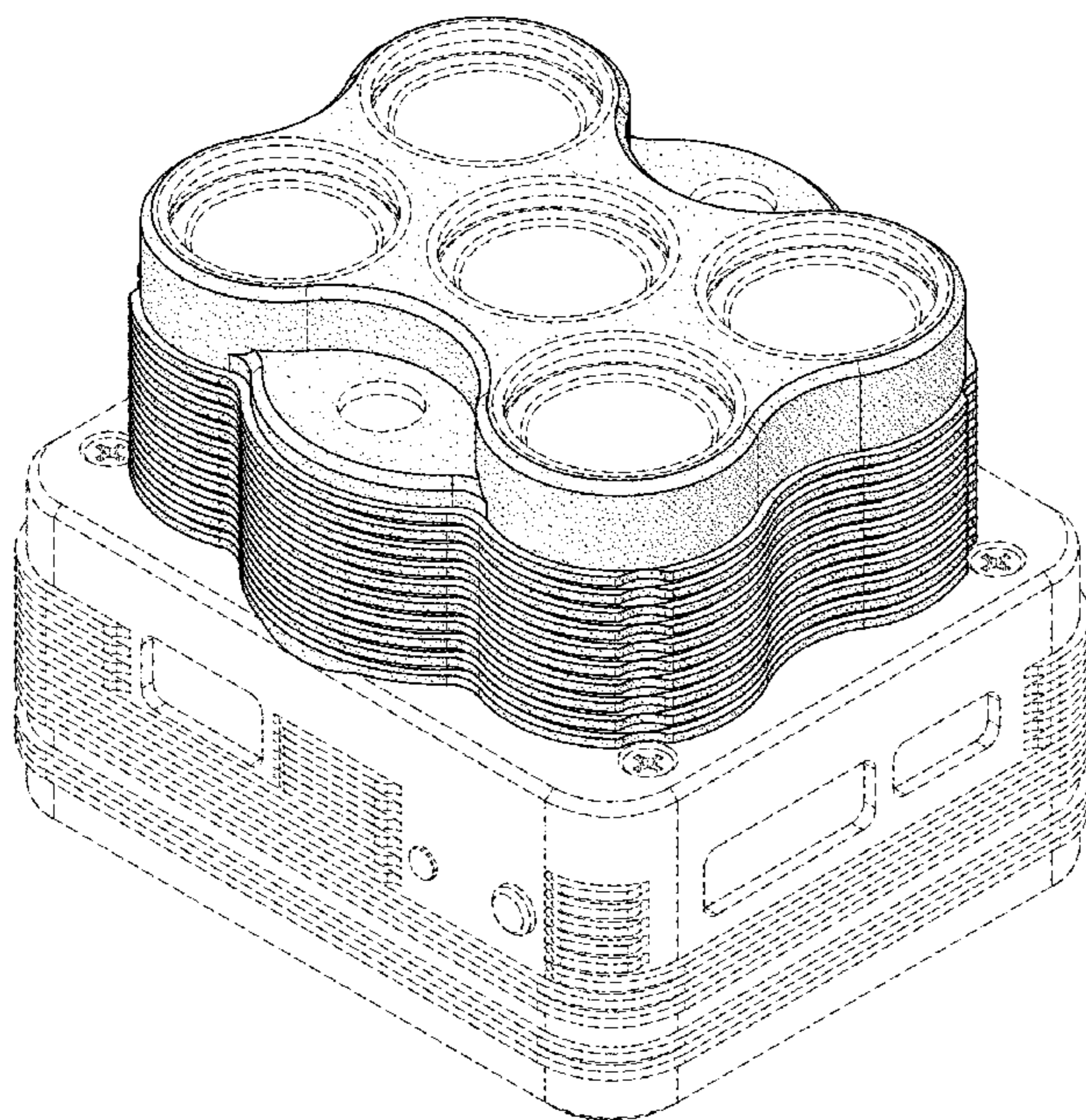
FIG. 6 is a rear elevational view thereof.

FIG. 7 is a left side elevational view thereof; and,

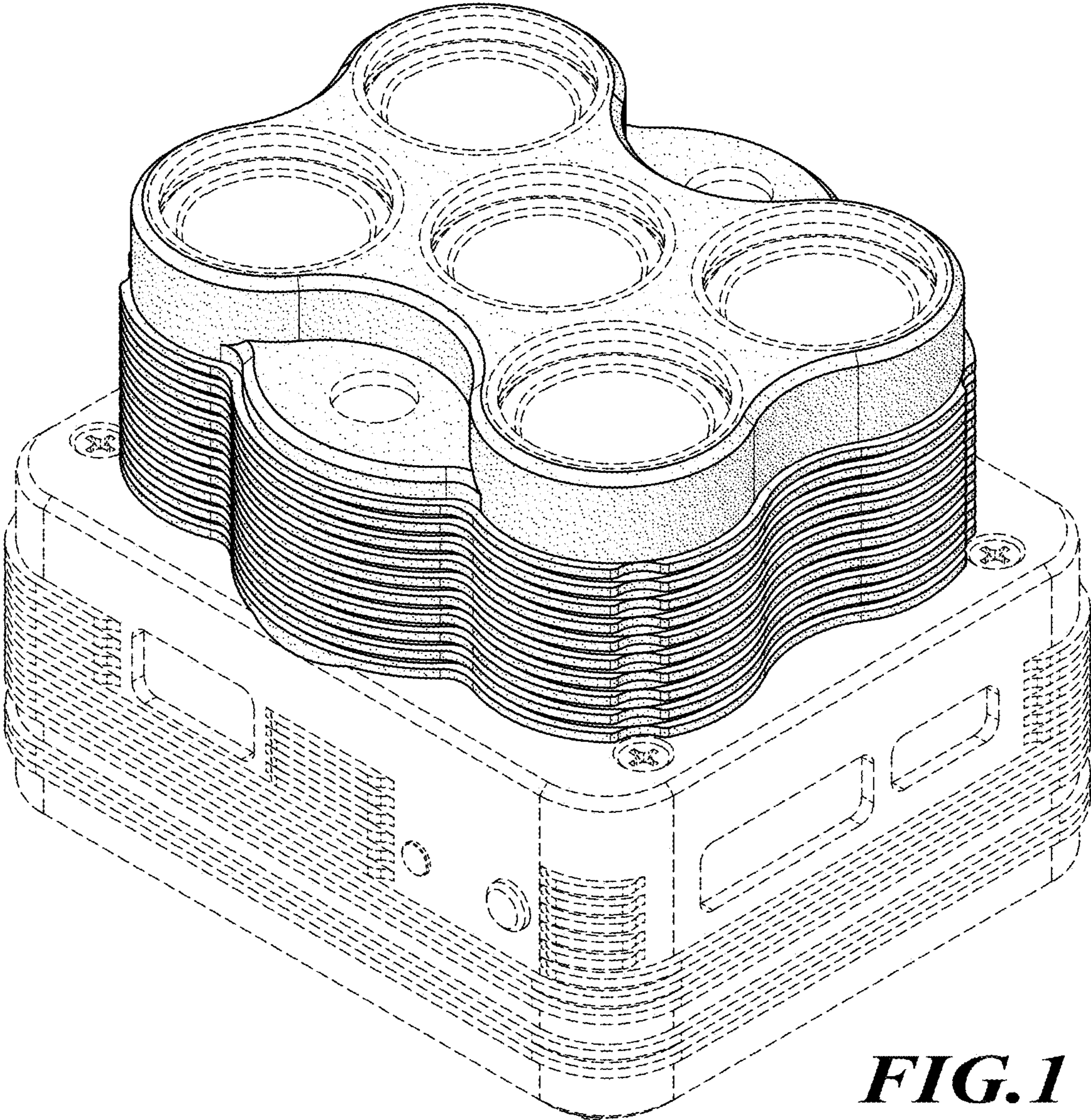
FIG. 8 is a right side elevational view thereof.

Stippling and tangency lines in the drawings represent the three-dimensional contours of the design, and are not intended to indicate surface decoration. The broken lines depict portions of the lens housing in which the design is embodied that form no part of the claimed design.

**1 Claim, 5 Drawing Sheets**

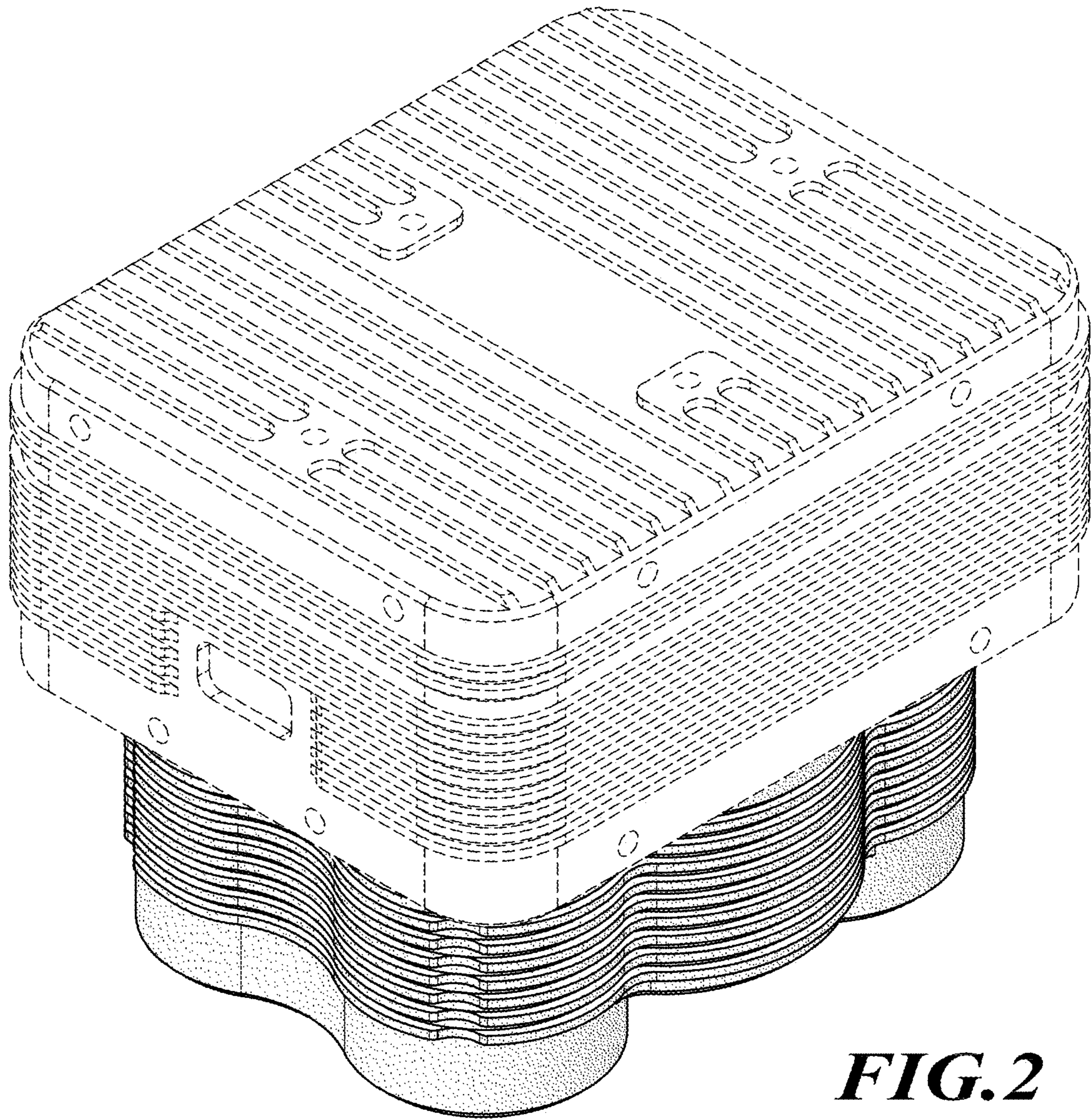




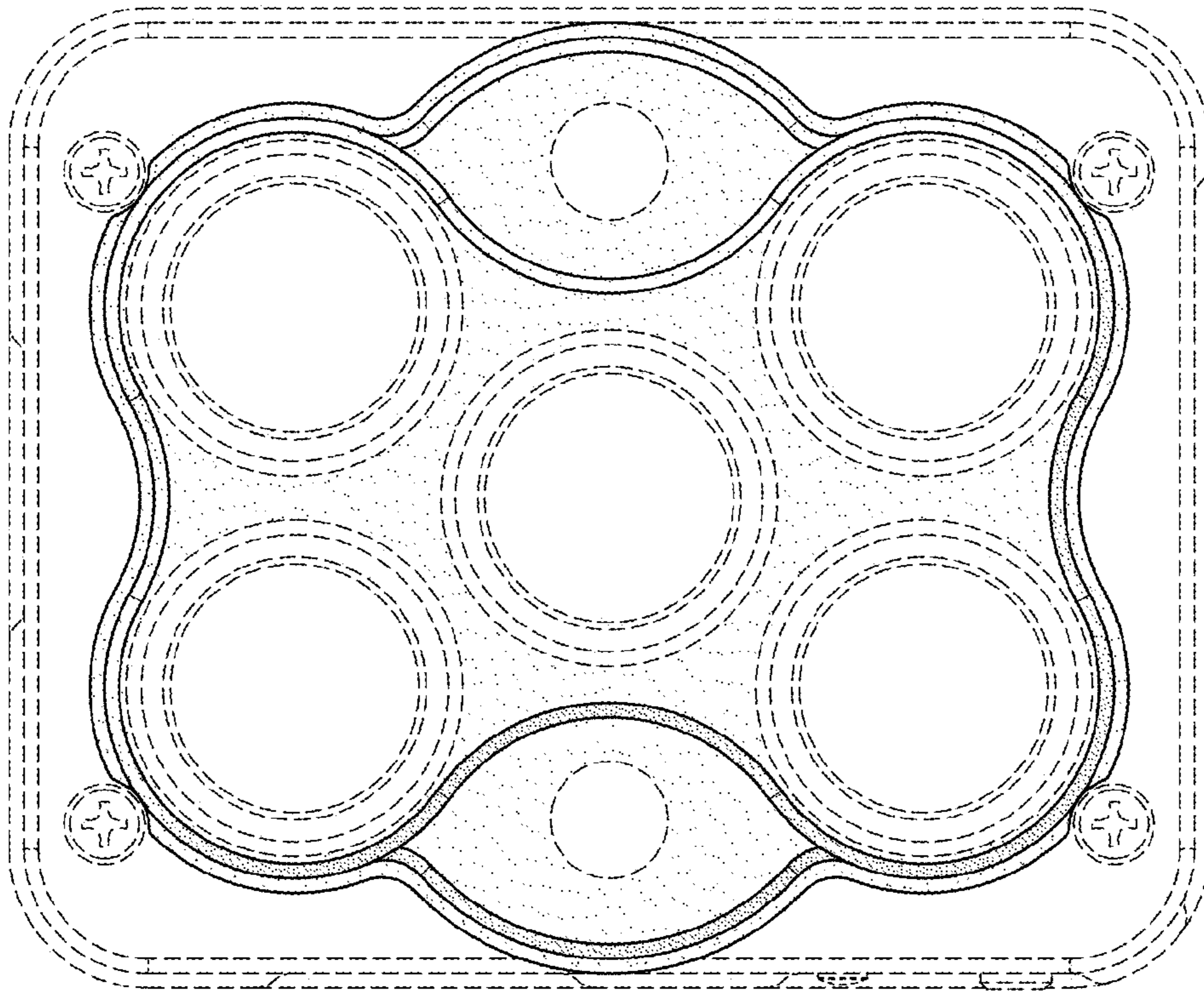


**FIG. 1**

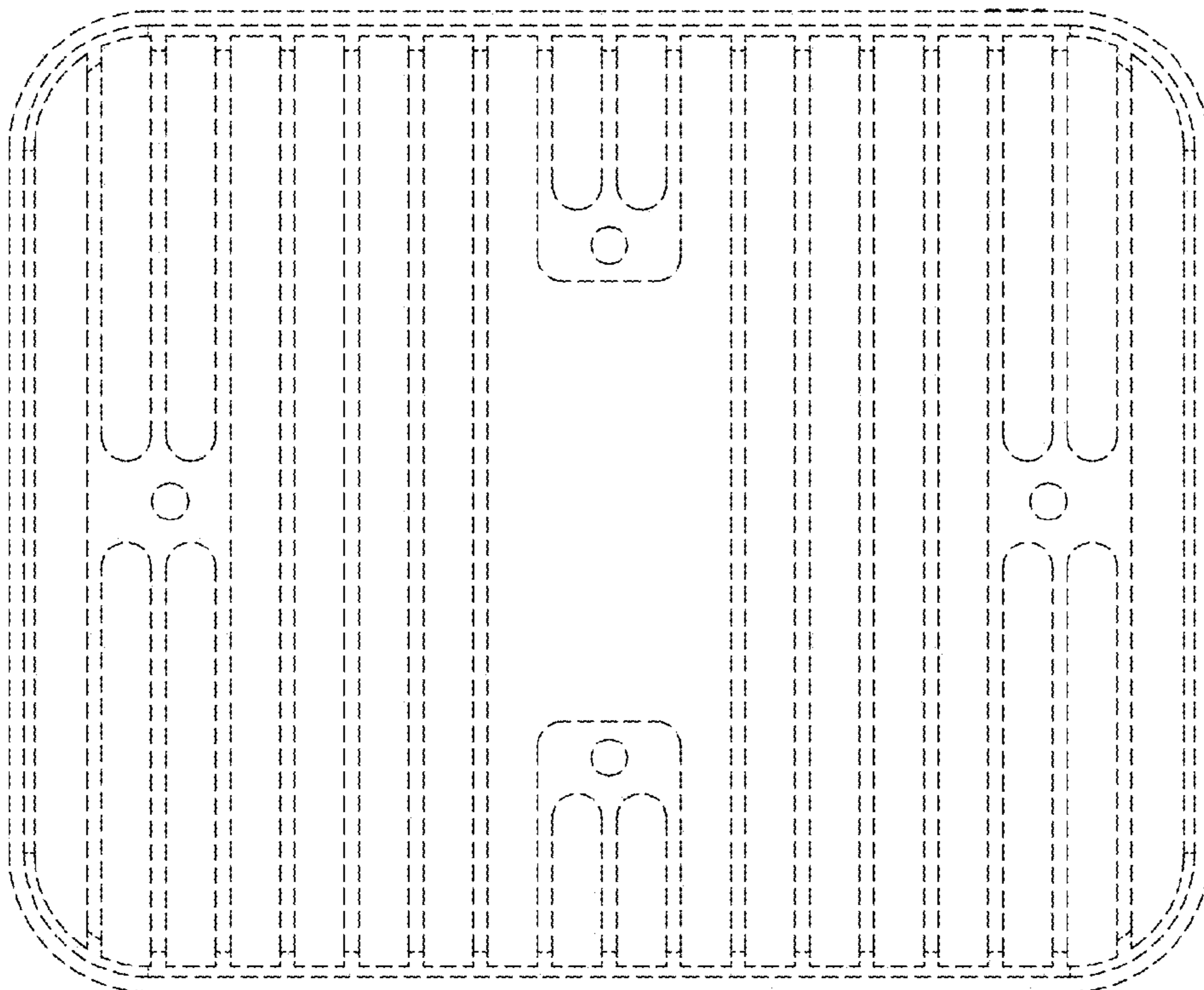




**FIG. 2**

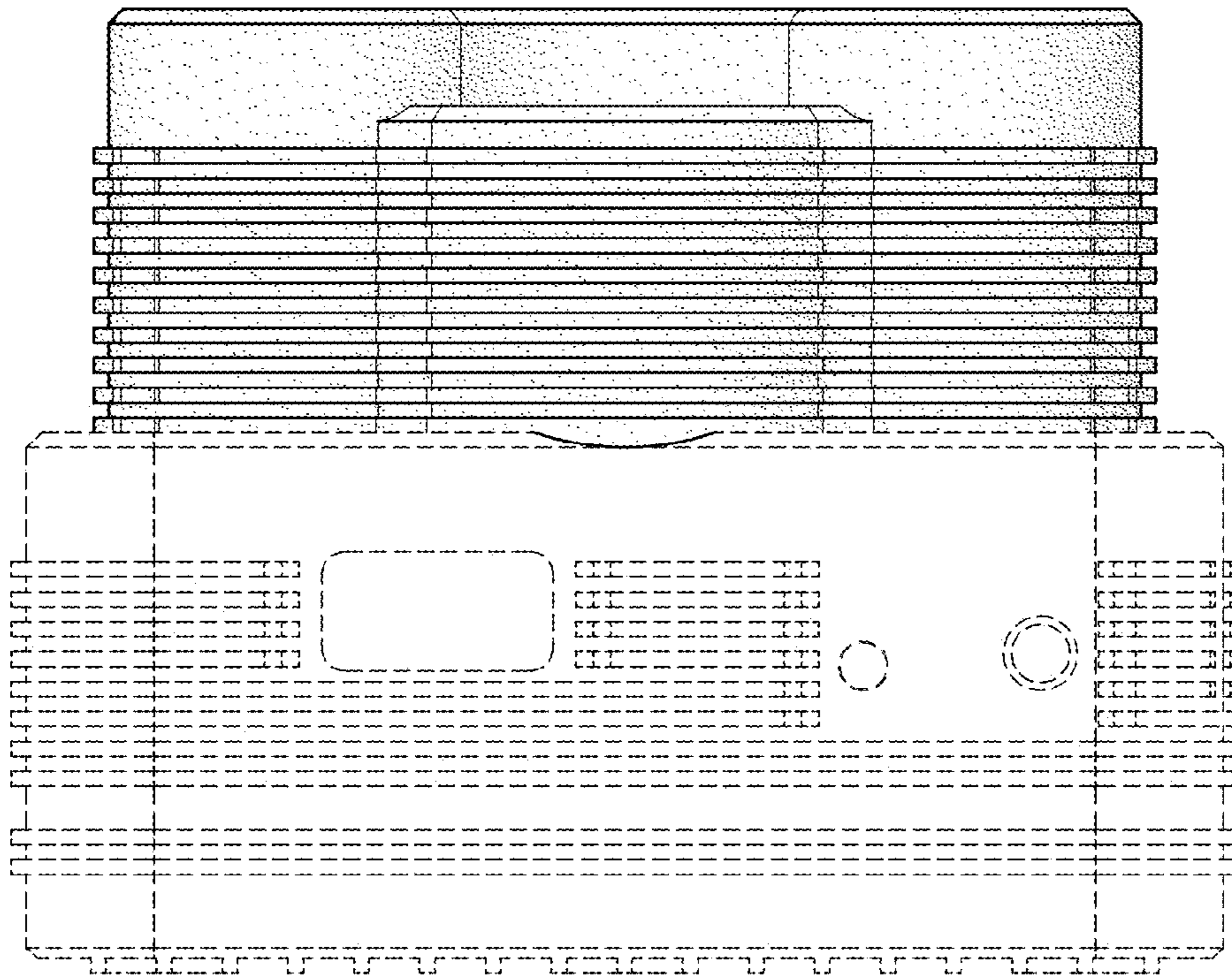


**FIG. 3**

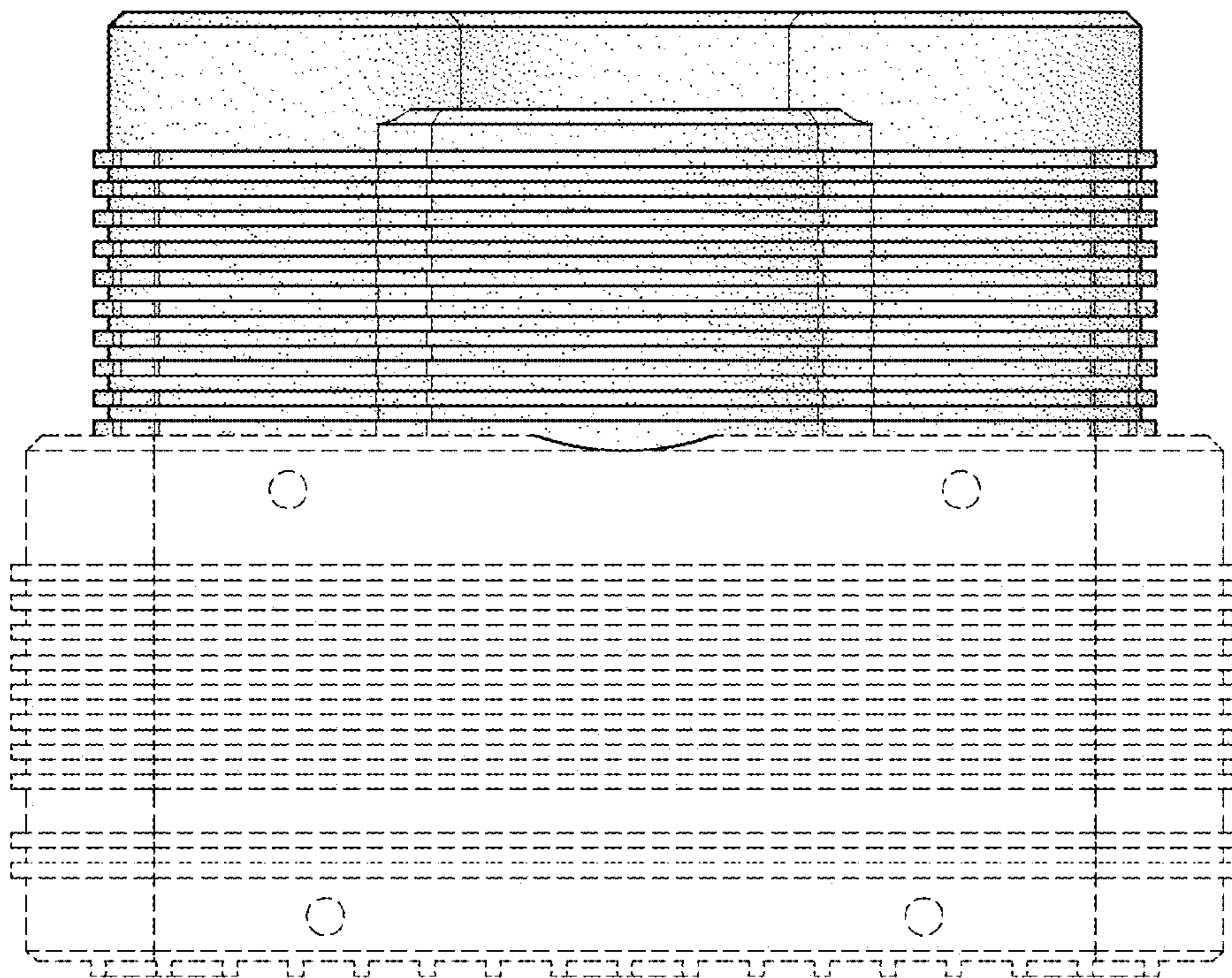


**FIG. 4**

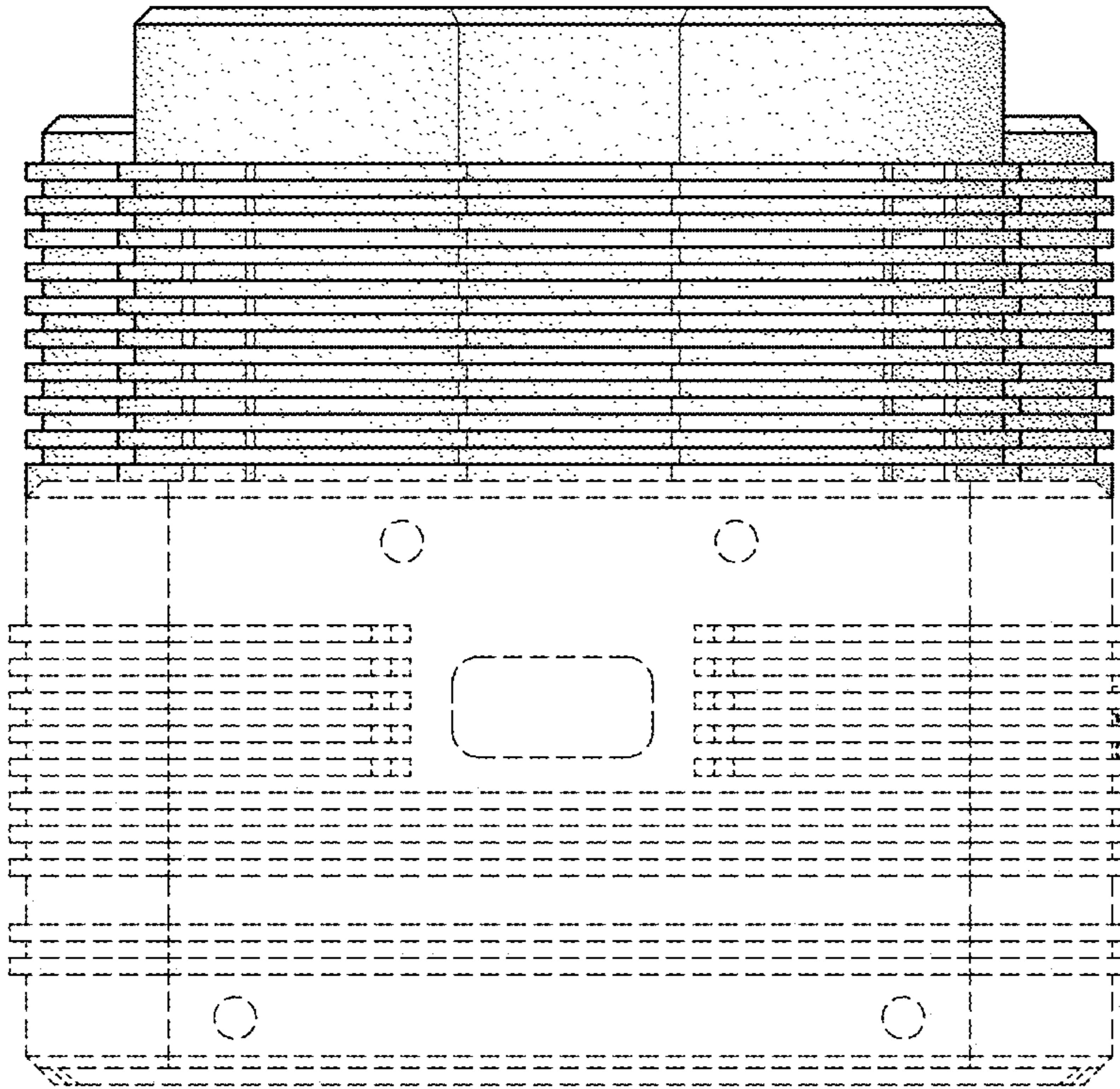




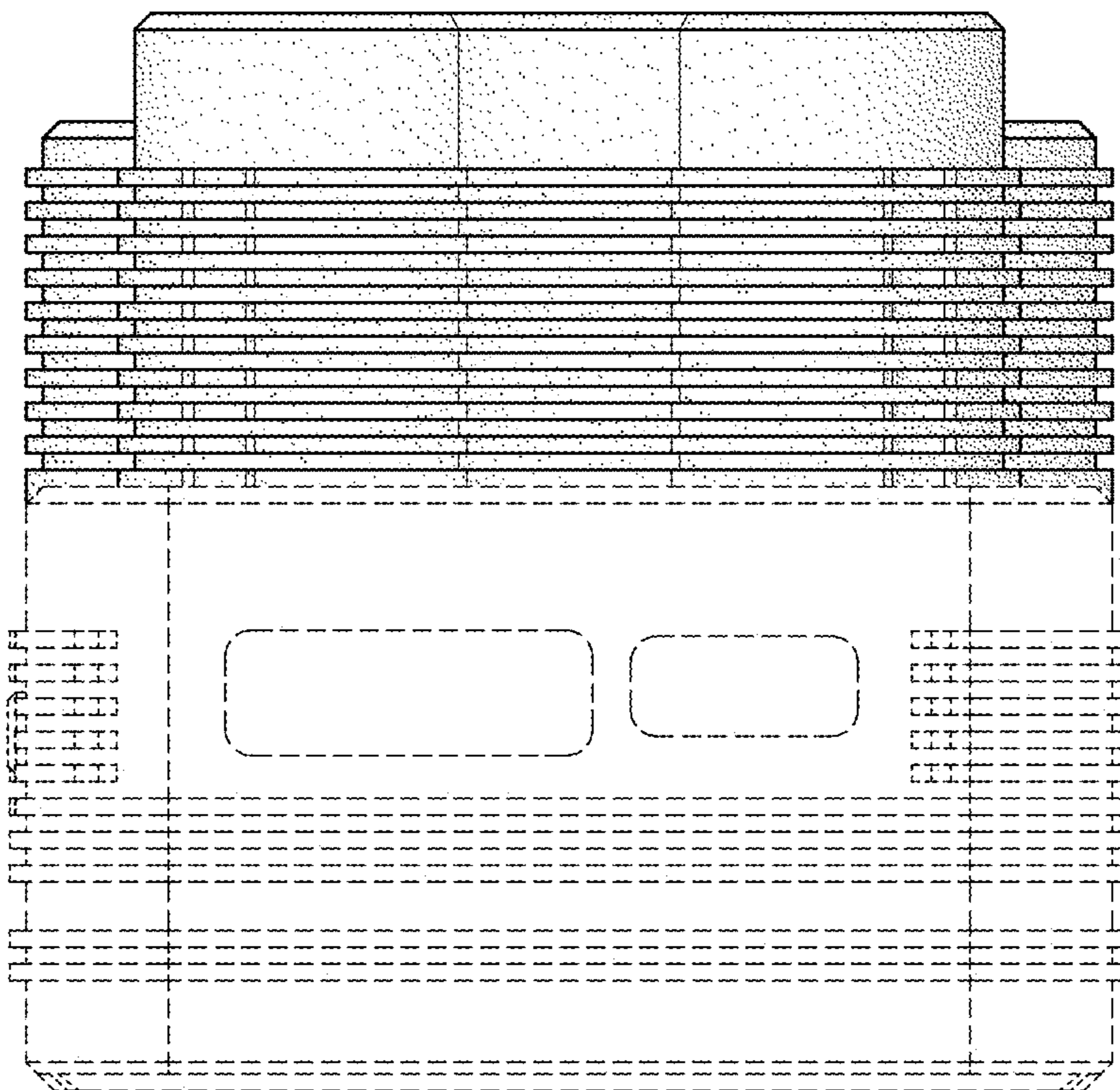
**FIG. 5**



**FIG. 6**



**FIG. 7**



**FIG. 8**