



US00D907101S

(12) **United States Design Patent**
Coster et al.

(10) **Patent No.:** **US D907,101 S**

(45) **Date of Patent:** **** Jan. 5, 2021**

(54) **CAMERA**

(71) Applicant: **GoPro, Inc.**, San Mateo, CA (US)

(72) Inventors: **Daniel J. Coster**, San Francisco, CA (US); **Heman Au**, San Mateo, CA (US); **Huy Phuong Nguyen**, San Mateo, CA (US); **Senka Agic Bergman**, Montara, CA (US)

(73) Assignee: **GoPro, Inc.**, San Mateo, CA (US)

(**) Term: **15 Years**

(21) Appl. No.: **29/694,559**

(22) Filed: **Jun. 11, 2019**

(51) **LOC (13) Cl.** **16-01**

(52) **U.S. Cl.**
USPC **D16/218**

(58) **Field of Classification Search**
USPC D16/200, 202–210, 212, 218, 219;
348/373–376; 396/448, 535, 539–541
CPC G03B 15/03; G03B 17/02; G03B 17/04;
G03B 17/56; G03B 19/04; H04N 5/2251;
H04N 5/2252; H04N 5/2253; H04N
5/2254; H04N 2101/00
See application file for complete search history.

(56) **References Cited**

U.S. PATENT DOCUMENTS

D480,741 S * 10/2003 Berger D16/202
D496,674 S * 9/2004 Hayashi D16/202
D725,691 S * 3/2015 De Rosa D16/202
D754,769 S * 4/2016 Patulski D16/202

D818,029 S * 5/2018 Fujita D16/218
D820,339 S * 6/2018 Yau D16/203
D820,898 S * 6/2018 Fujita D16/218
D829,260 S * 9/2018 Fujita D16/218
D859,498 S * 9/2019 Lin D16/218
D861,765 S * 10/2019 Muhlenkamp D16/218
D865,844 S * 11/2019 Jalala D16/218
D865,845 S * 11/2019 Sakai D16/218
D867,427 S * 11/2019 Bai D16/210

* cited by examiner

Primary Examiner — Ramzi S Almatrahi

(74) *Attorney, Agent, or Firm* — Young Basile Hanlon & MacFarlane, P.C.

(57) **CLAIM**

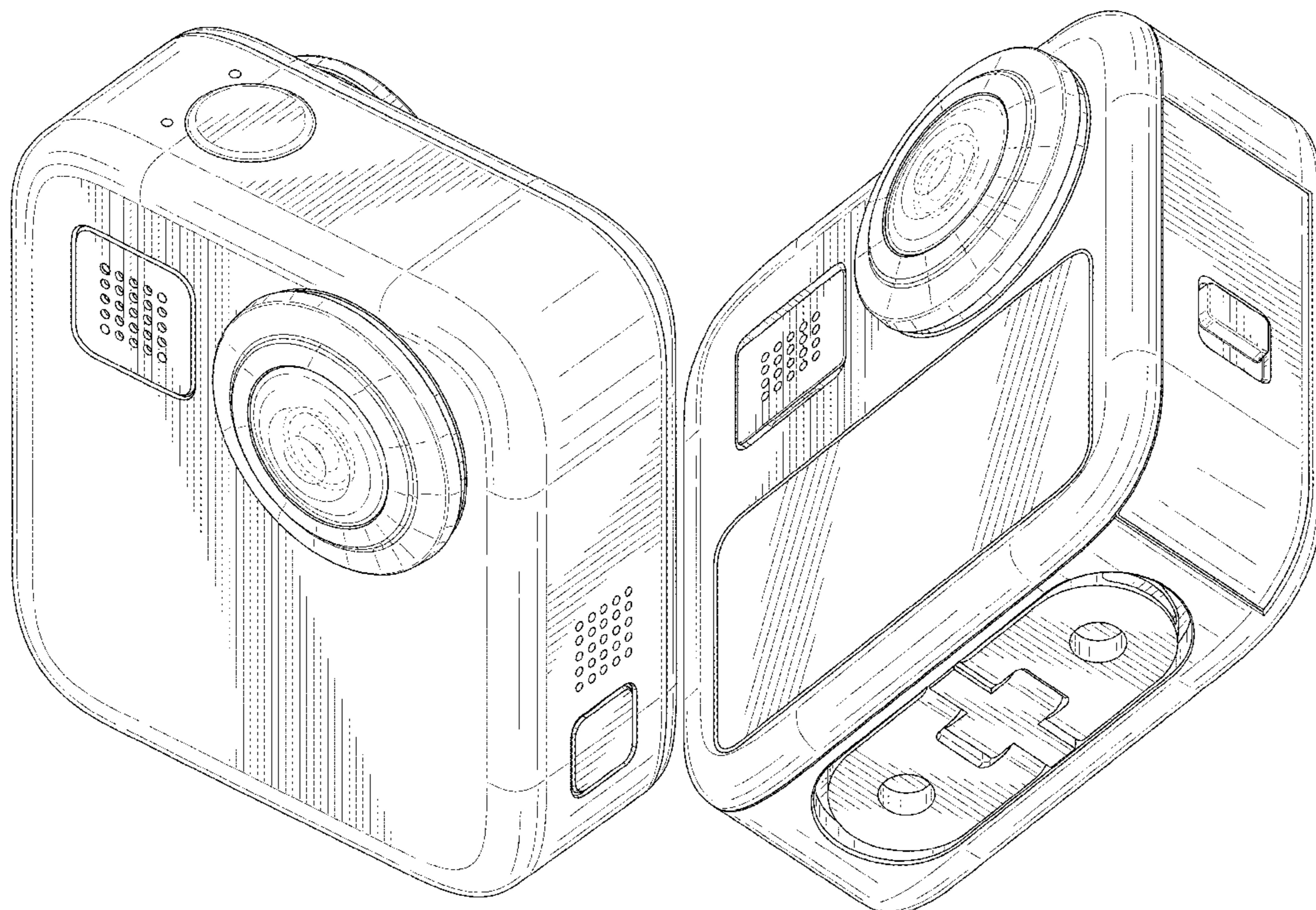
The ornamental design for a camera, as shown and described.

DESCRIPTION

FIG. 1 is a top, front and right side perspective view of a camera showing our new design;
FIG. 2 is a bottom, rear and left side perspective view thereof;
FIG. 3 is a front elevation view thereof;
FIG. 4 is a rear elevation view thereof;
FIG. 5 is a right side elevation view thereof;
FIG. 6 is a left side elevation view thereof;
FIG. 7 is a top plan view thereof; and,
FIG. 8 is a bottom plan view thereof.

The broken lines depict portions of the camera in which the design is embodied that form no part of the claimed design.

1 Claim, 7 Drawing Sheets



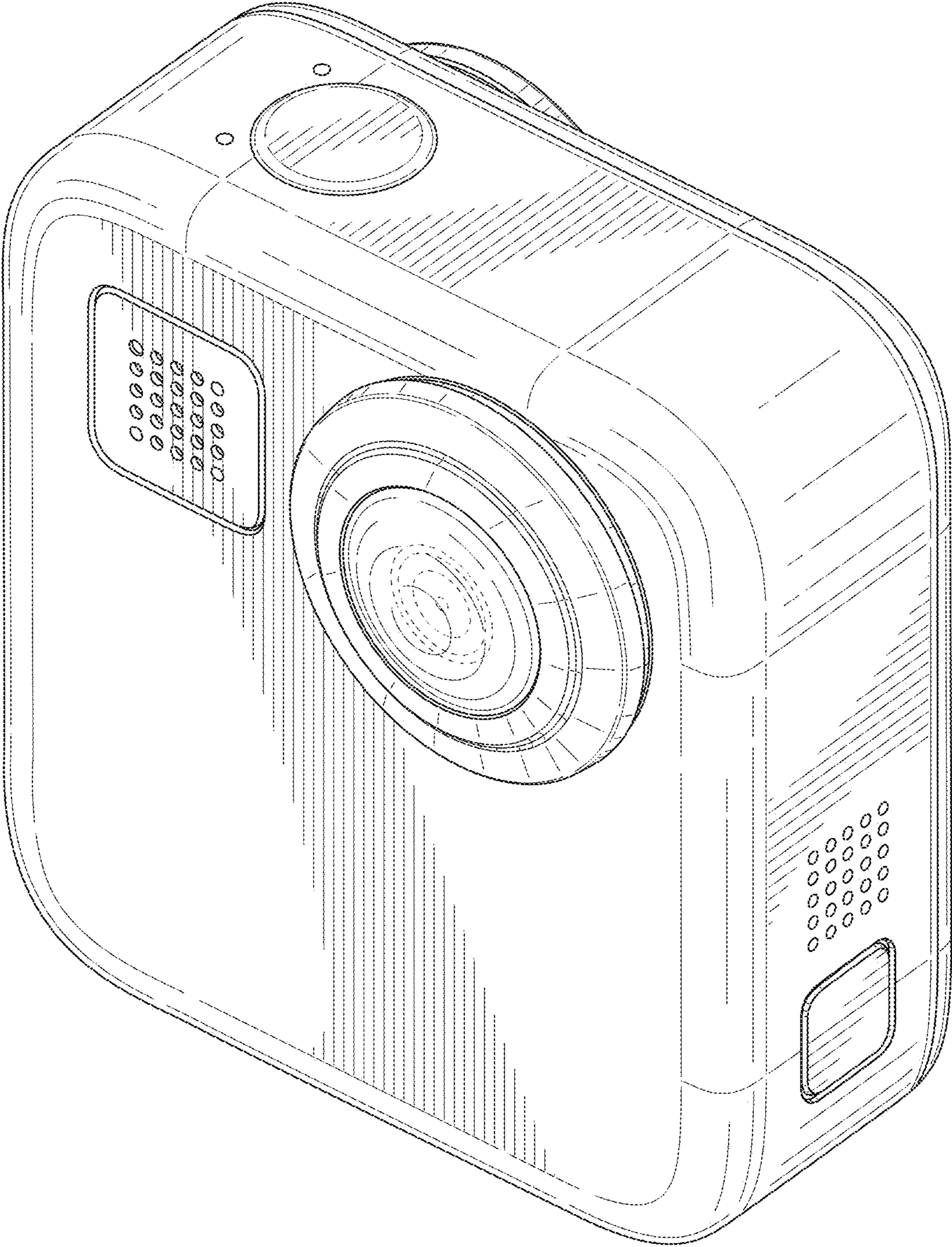


FIG. 1

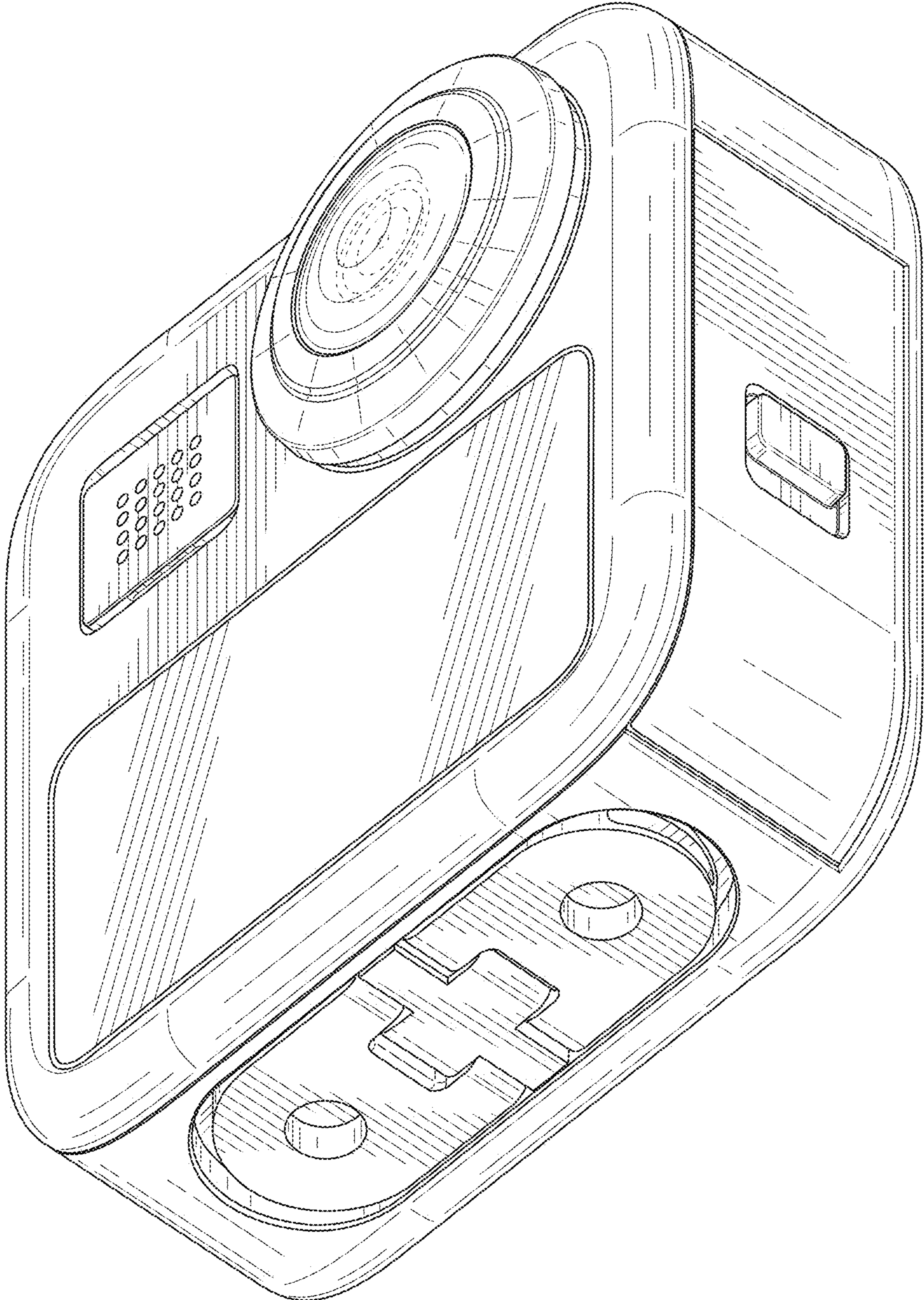


FIG. 2

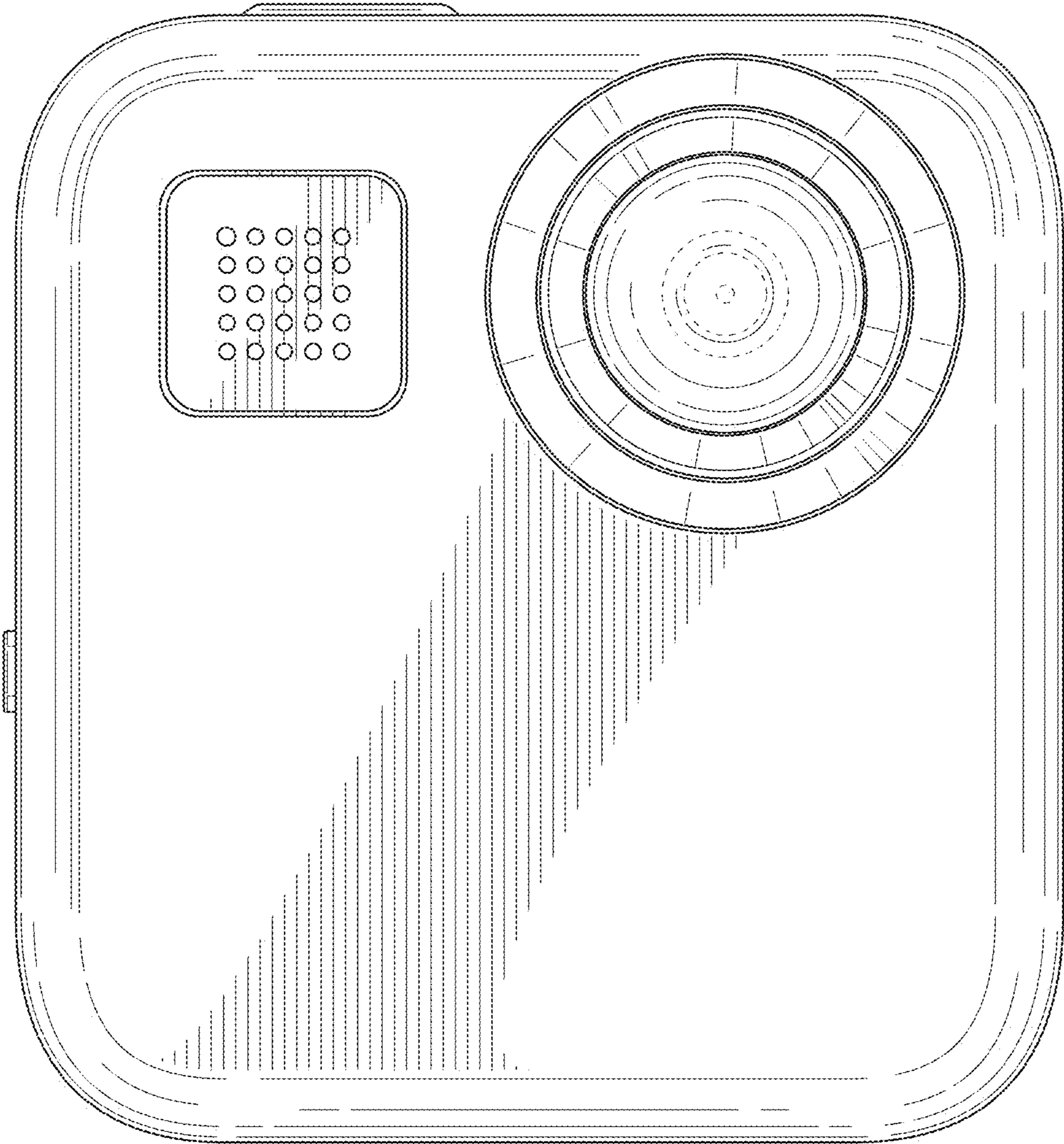


FIG. 3

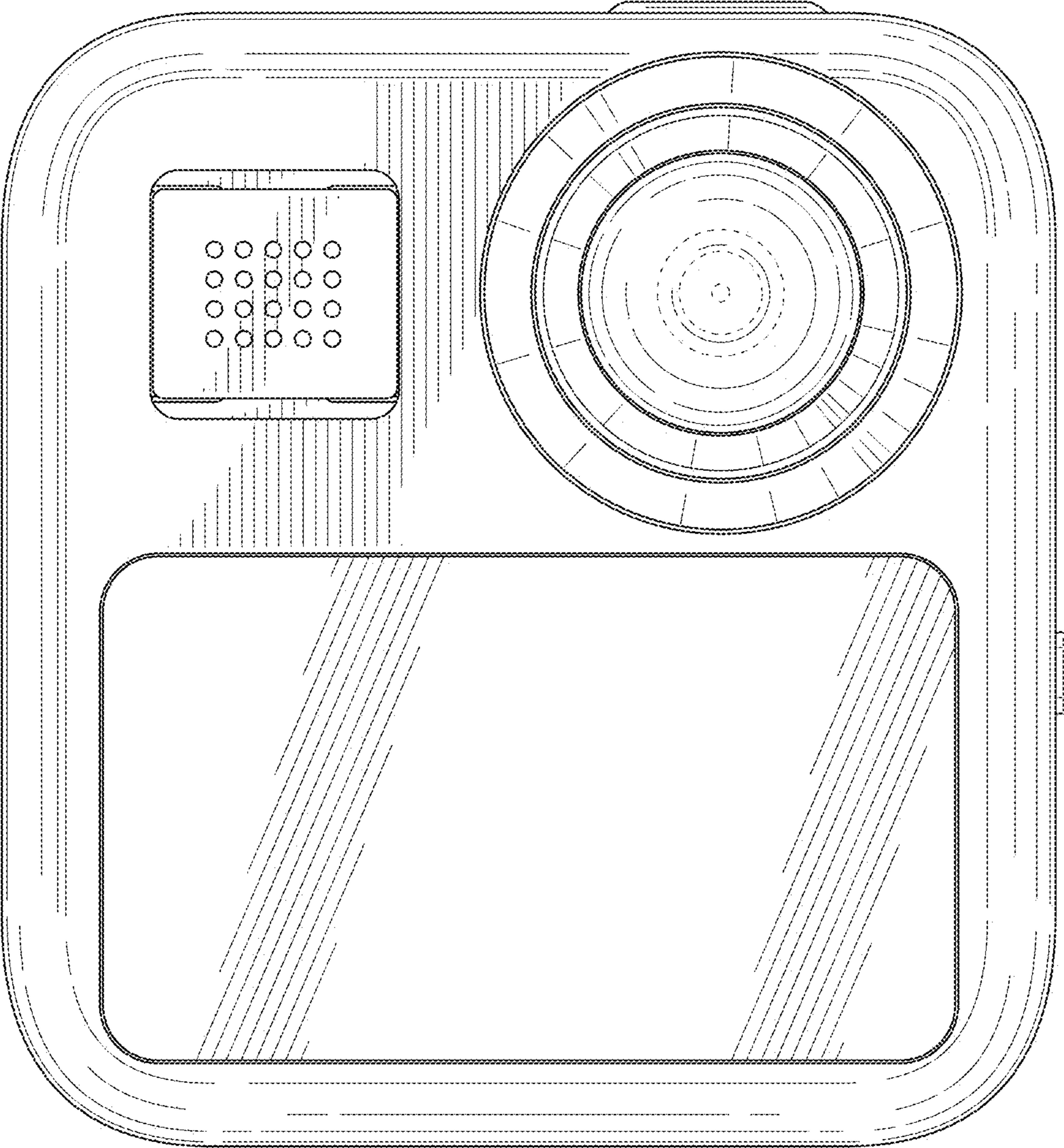


FIG. 4

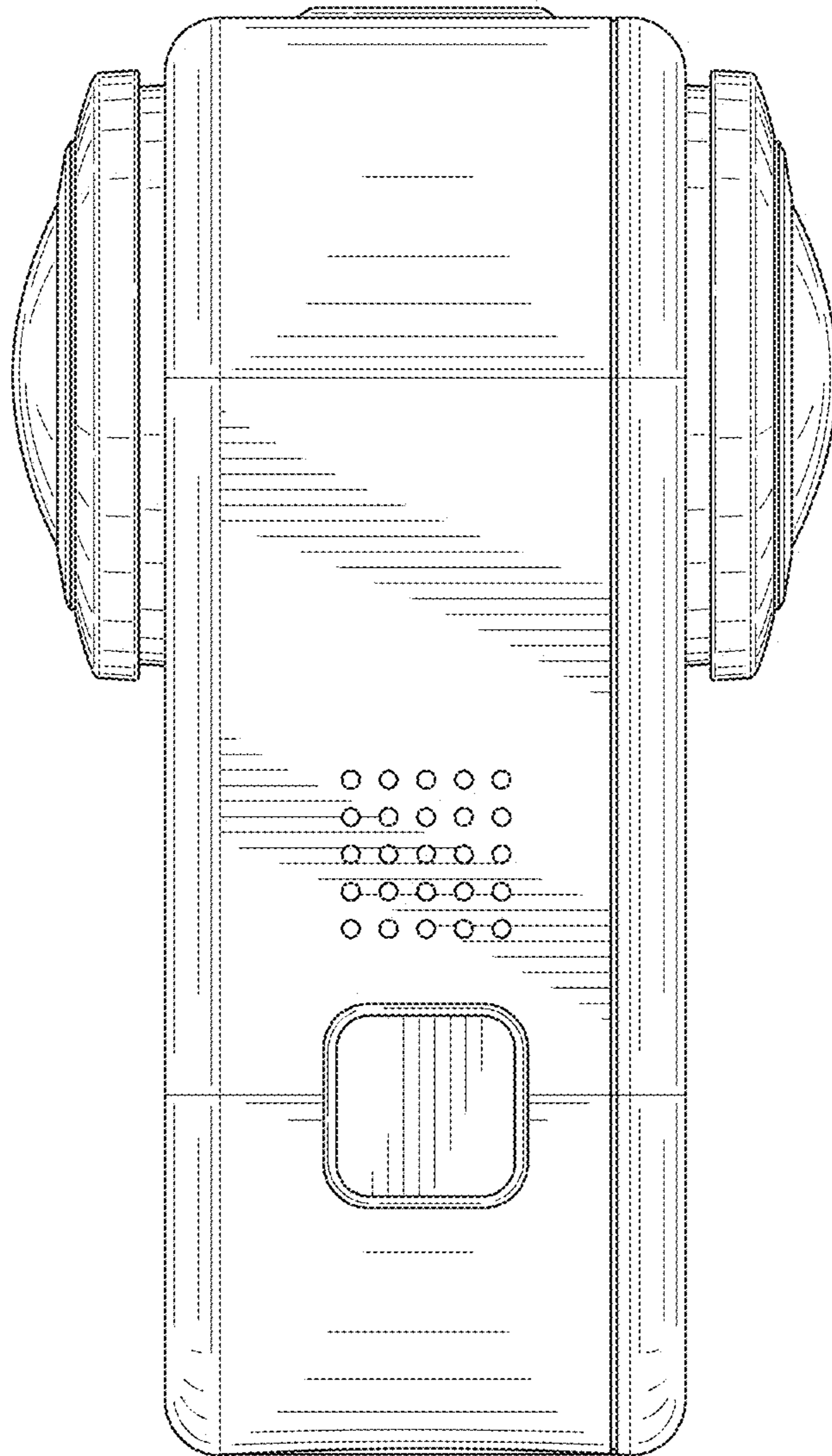


FIG. 5

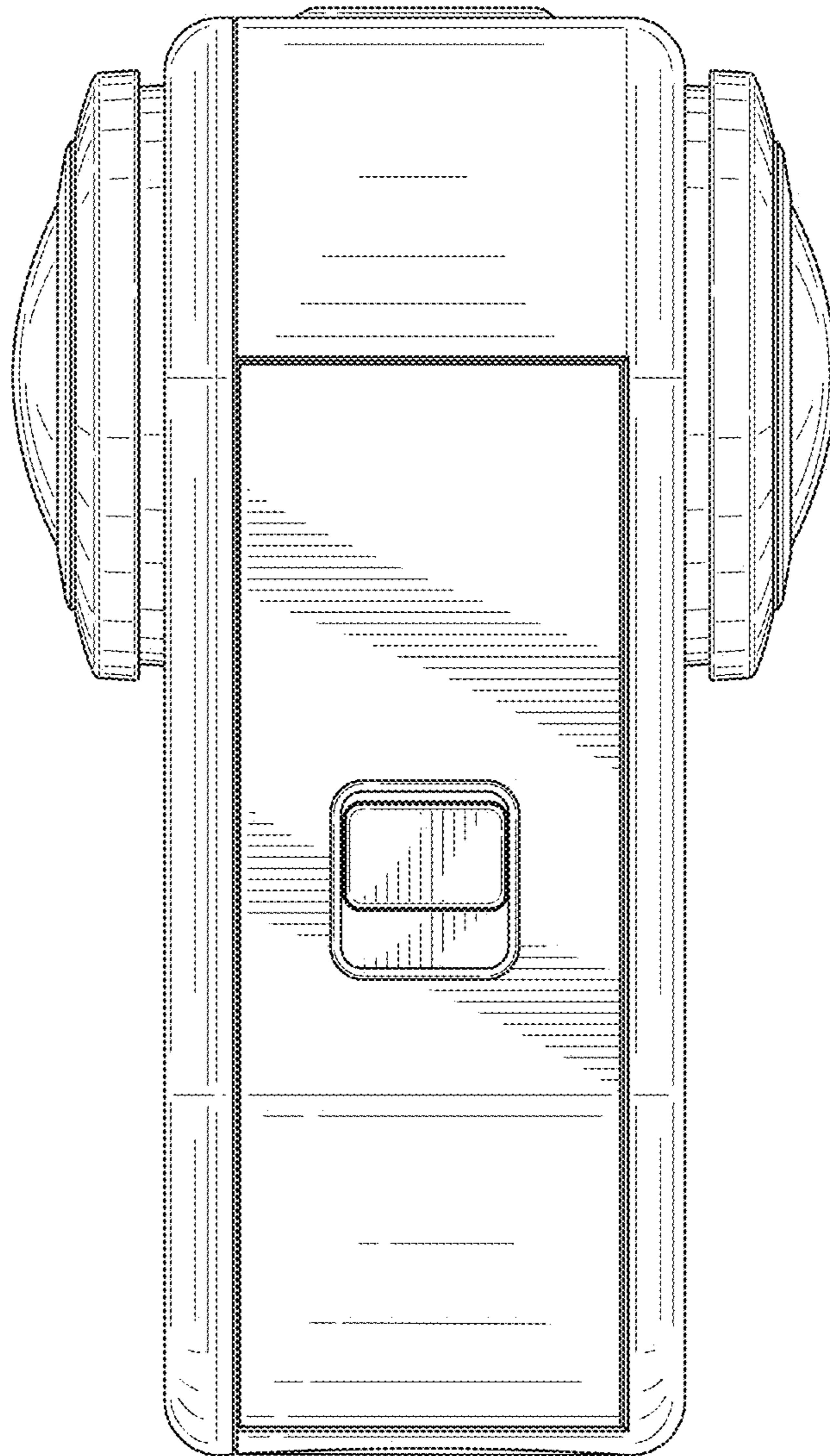


FIG. 6

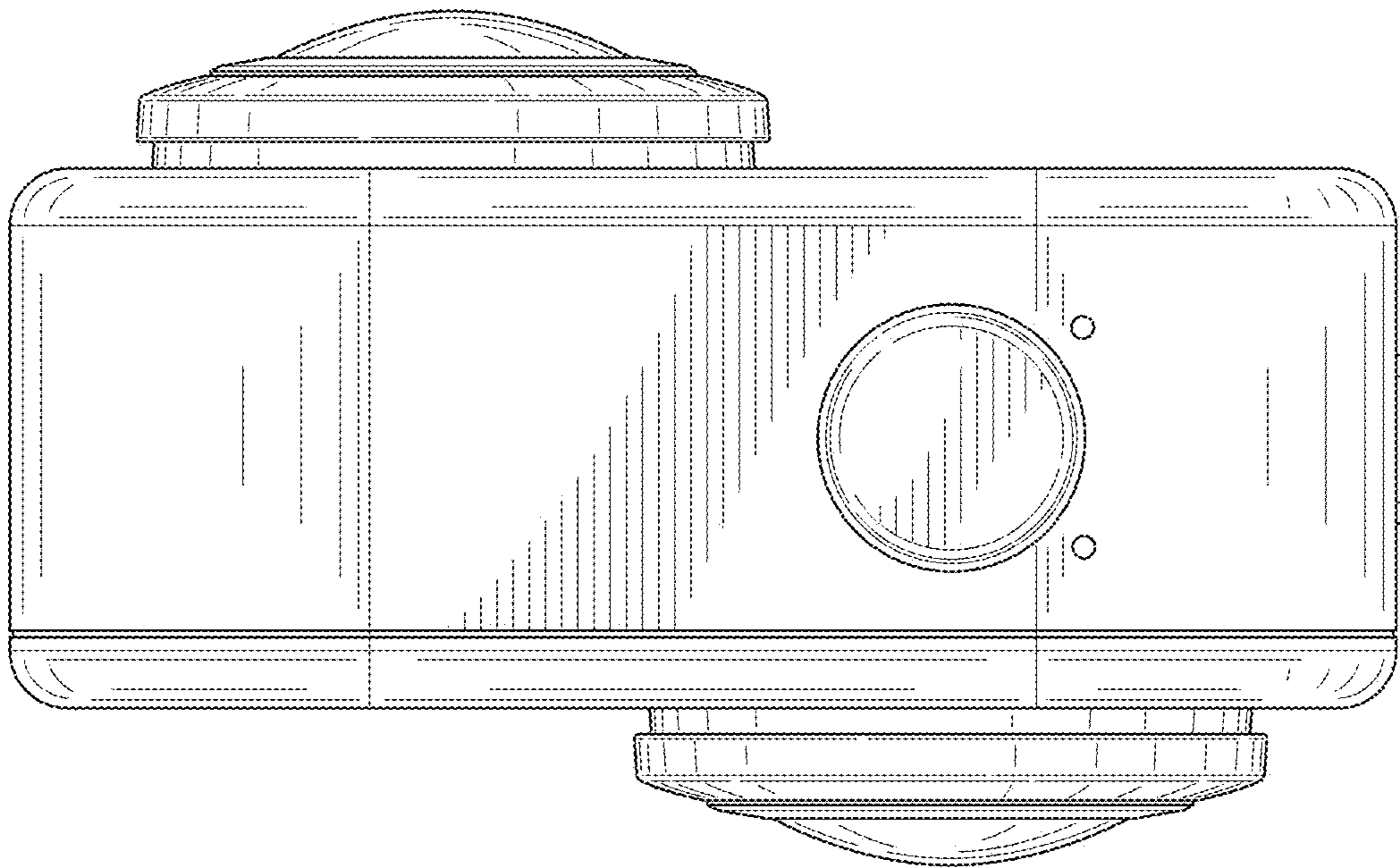


FIG. 7

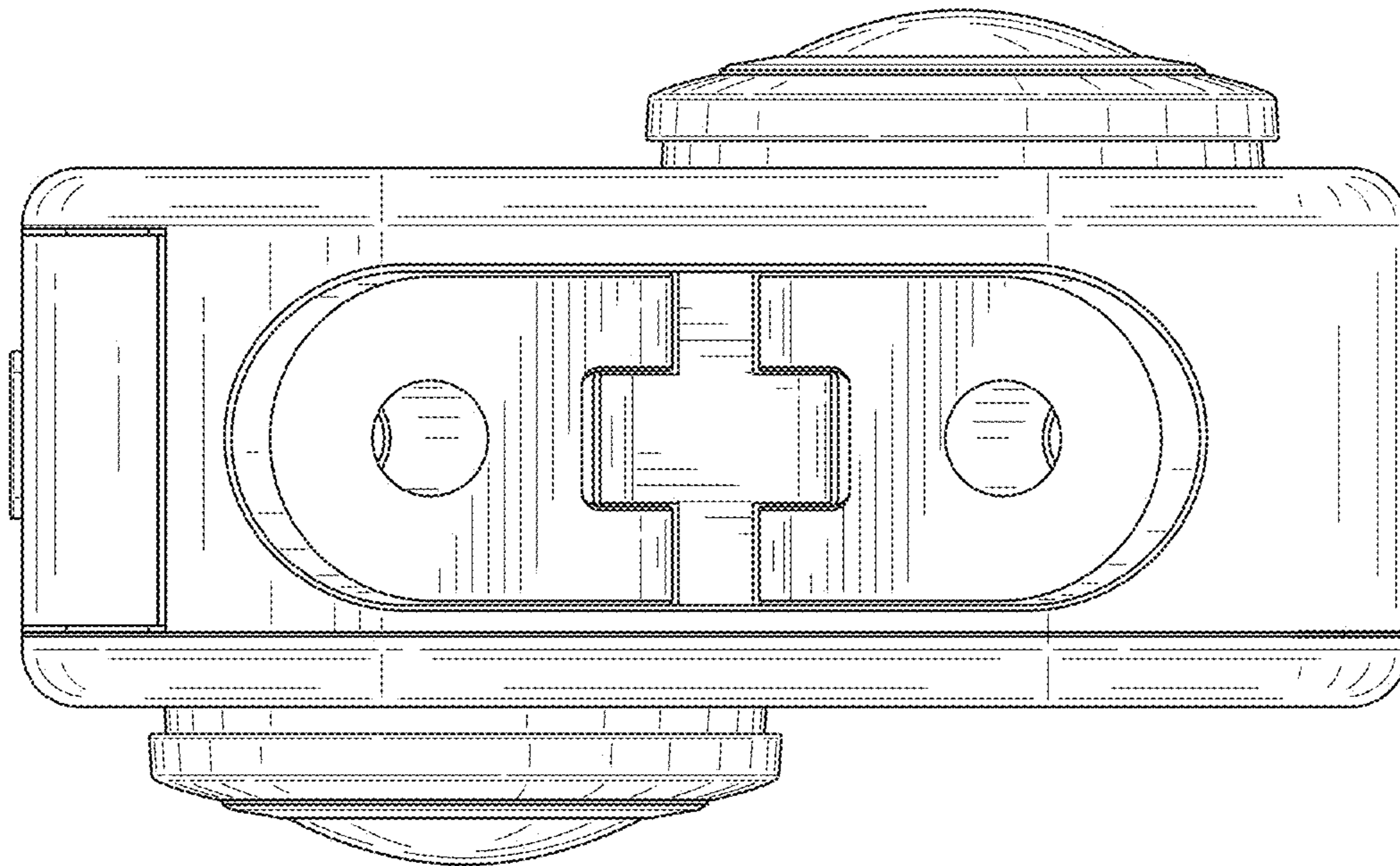


FIG. 8