



US00D907100S

(12) **United States Design Patent** (10) **Patent No.:** **US D907,100 S**
Larsen et al. (45) **Date of Patent:** **** Jan. 5, 2021**

(54) **CAMERA**
(71) Applicant: **MicaSense, Inc.**, Seattle, WA (US)
(72) Inventors: **Steven Matthew Larsen**, Seattle, WA (US); **Justin Bates McAllister**, Seattle, WA (US)
(73) Assignee: **MicaSense, Inc.**, Seattle, WA (US)
(**) Term: **15 Years**
(21) Appl. No.: **29/691,512**
(22) Filed: **May 16, 2019**
(51) **LOC (13) Cl.** **16-01**
(52) **U.S. Cl.**
USPC **D16/218**
(58) **Field of Classification Search**
USPC D16/134, 136, 200, 202–205, 218, 219, D16/235, 242; 348/373–376; 359/826–828; 396/529–532, 535, 396/539–541
CPC G03B 17/02; G03B 19/04; G03B 17/56; G03B 17/04; G03B 15/03; G03B 17/14; H04N 5/2251; H04N 5/2252; H04N 5/2253; H04N 5/2254; G02B 7/02; G02B 7/04; G02B 7/14
See application file for complete search history.

D745,918 S * 12/2015 Lee D16/219
D745,919 S * 12/2015 Lee D16/219
D755,270 S * 5/2016 Vehlewald D16/202
D758,468 S * 6/2016 Darty D16/207
D777,232 S * 1/2017 Lillquist D16/202
D789,999 S * 6/2017 Yakabe D16/200
D878,448 S * 3/2020 Kapuria D16/208
2014/0300742 A1 * 10/2014 Han H04N 5/2251 348/148

* cited by examiner

Primary Examiner — Ramzi S Almatrahi
(74) *Attorney, Agent, or Firm* — Seed IP Law Group LLP

(57) **CLAIM**

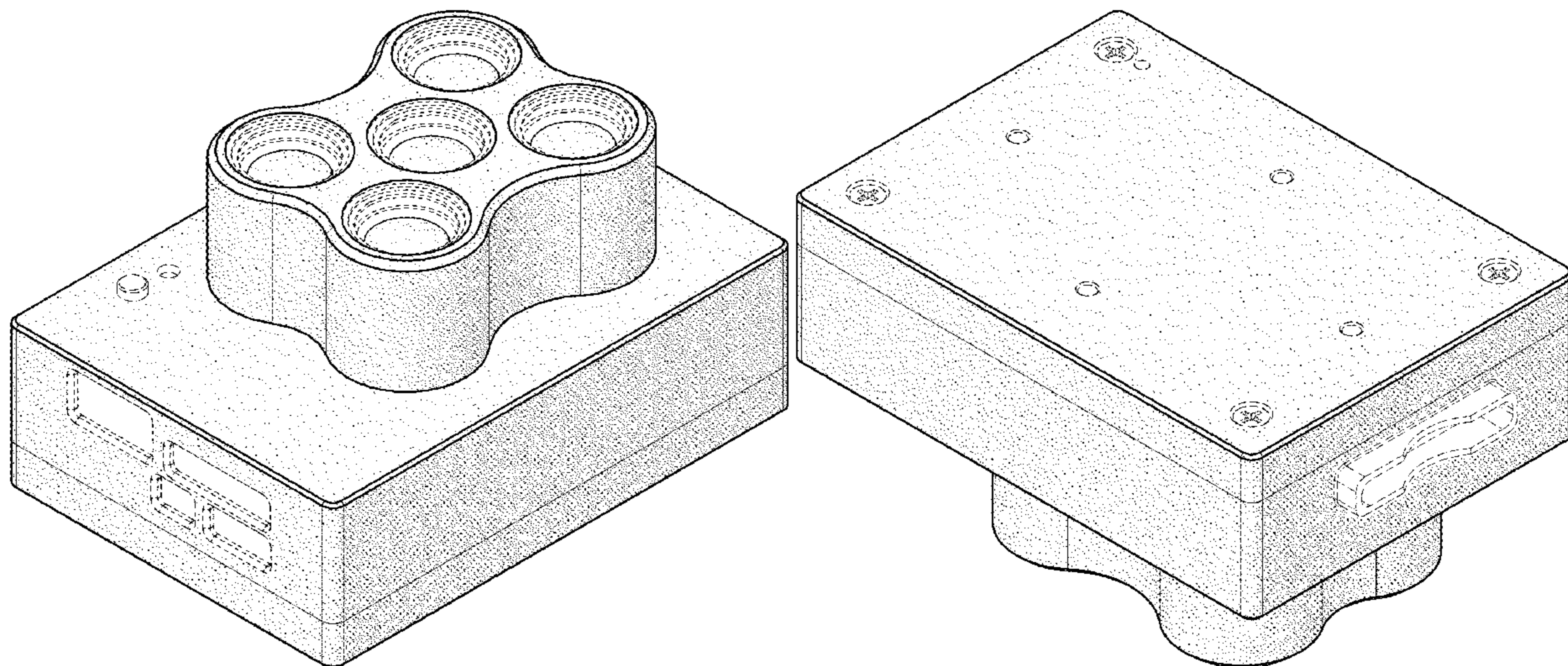
The ornamental design for a camera, as shown and described.

DESCRIPTION

FIG. 1 is a front perspective view of a camera showing our new design.
FIG. 2 is a rear perspective view thereof.
FIG. 3 is a top plan view thereof.
FIG. 4 is a bottom plan view thereof.
FIG. 5 is a front elevational view thereof.
FIG. 6 is a rear elevational view thereof.
FIG. 7 is a left side elevational view thereof; and,
FIG. 8 is a right side elevational view thereof.
Stippling and tangency lines in the drawings represent the three-dimensional contours of the design, and are not intended to indicate surface decoration. The broken lines depict portions of the camera in which the design is embodied that form no part of the claimed design.

1 Claim, 6 Drawing Sheets

(56) **References Cited**
U.S. PATENT DOCUMENTS
D441,386 S * 5/2001 Yamazaki D16/203
D657,409 S * 4/2012 Miyashita D16/203
D671,584 S * 11/2012 Ohno D16/202
D726,805 S * 4/2015 Jannard D16/237
D743,472 S * 11/2015 Tanifuji D16/203



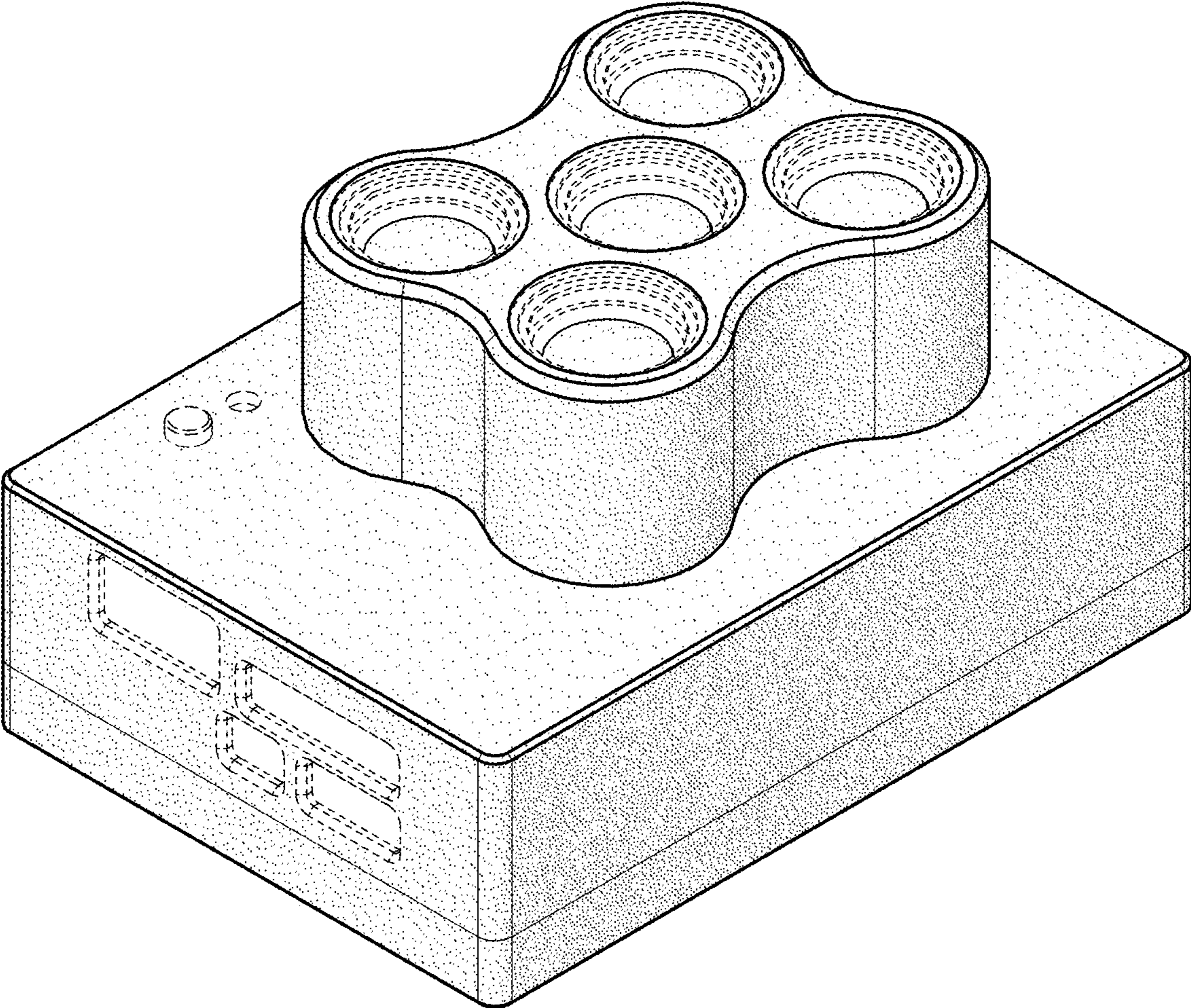


FIG. 1

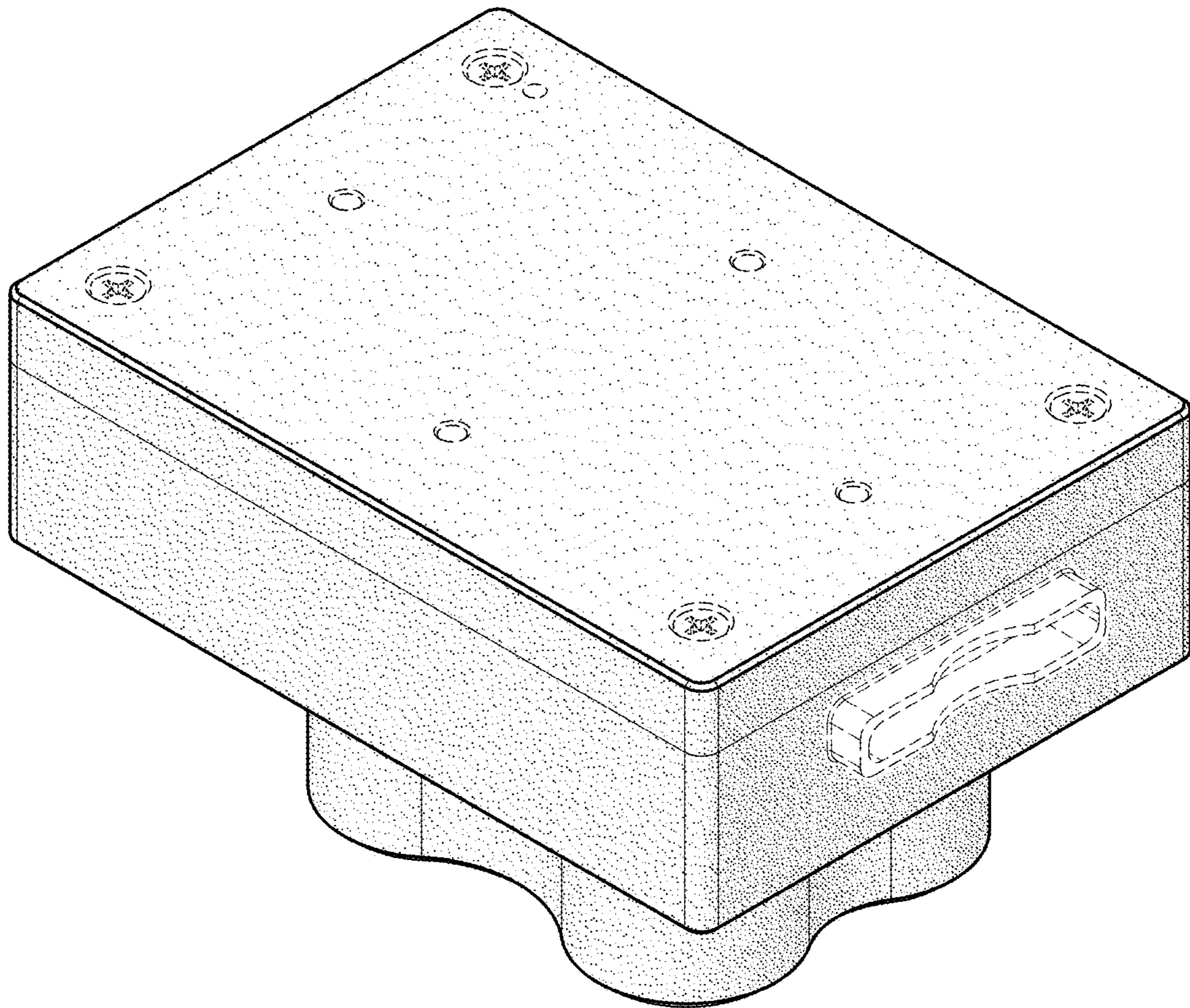


FIG. 2

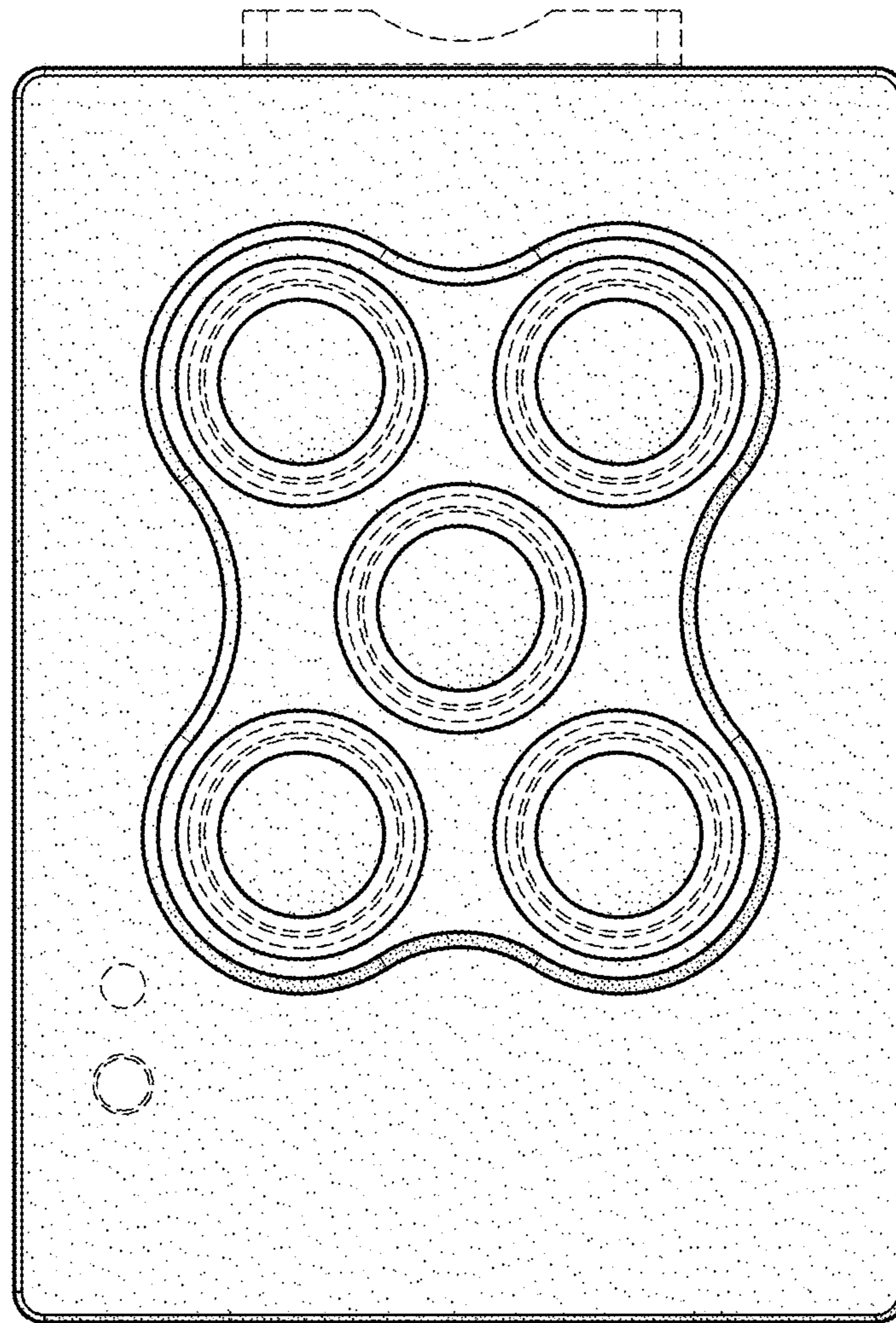


FIG. 3

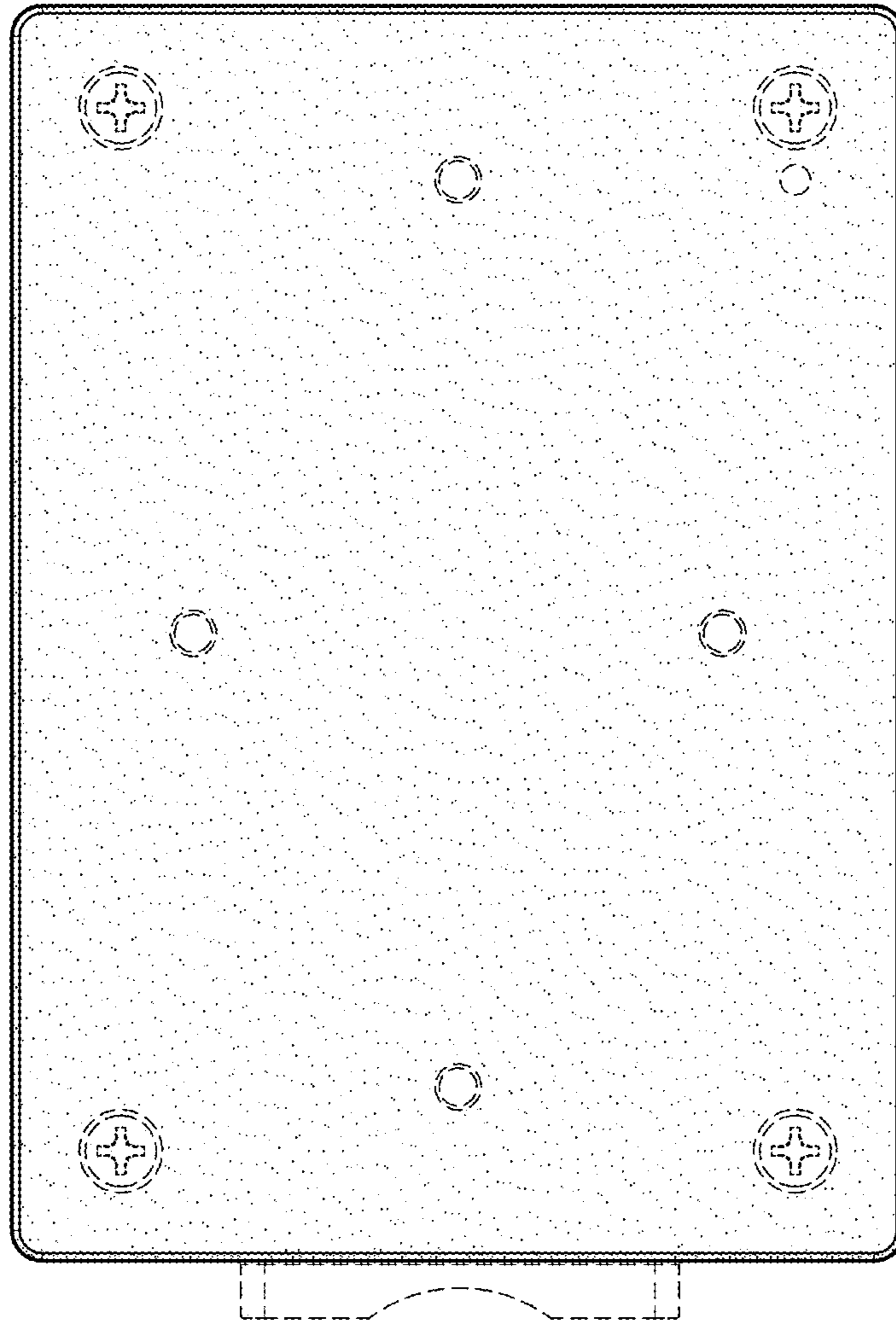


FIG. 4

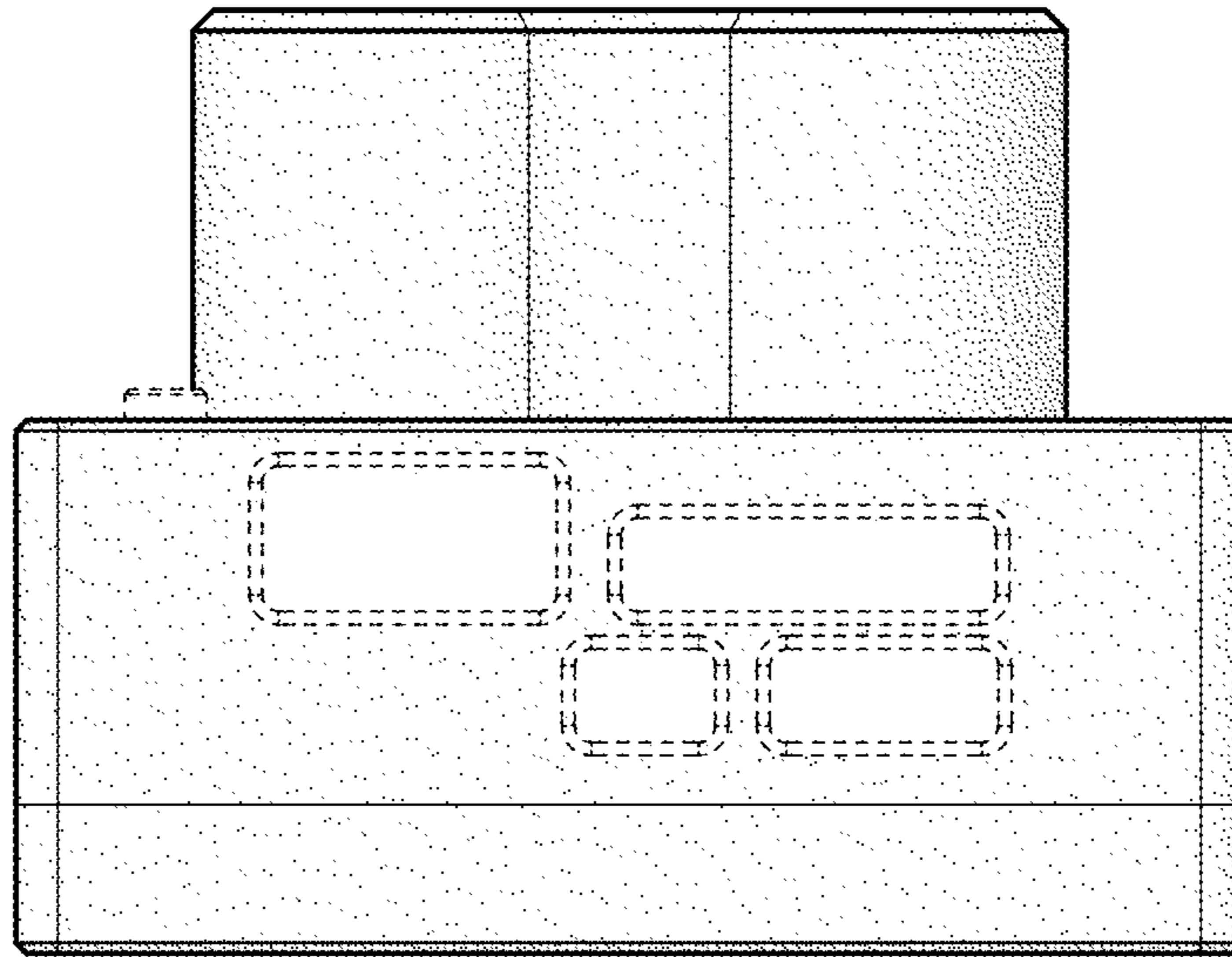


FIG. 5

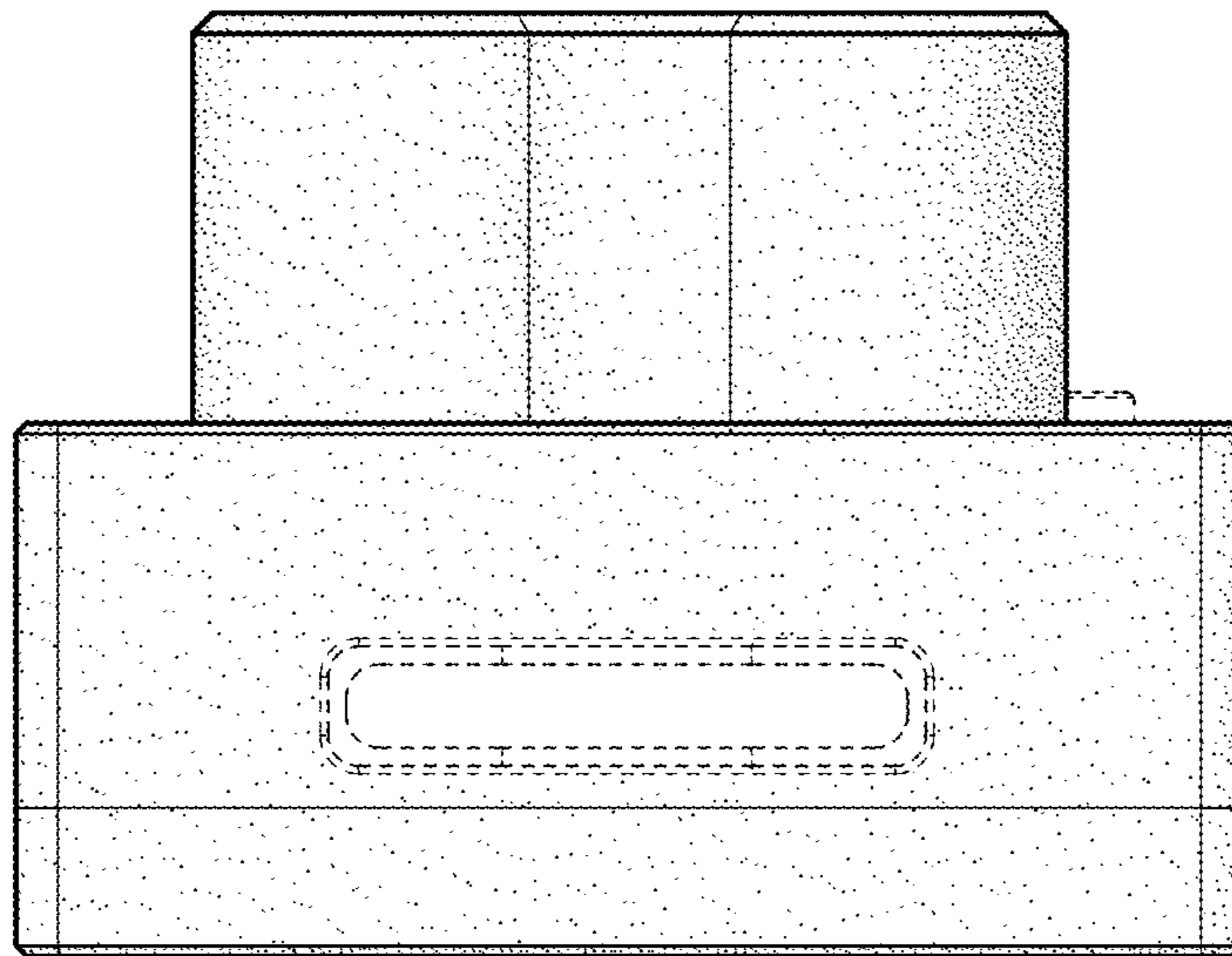


FIG. 6

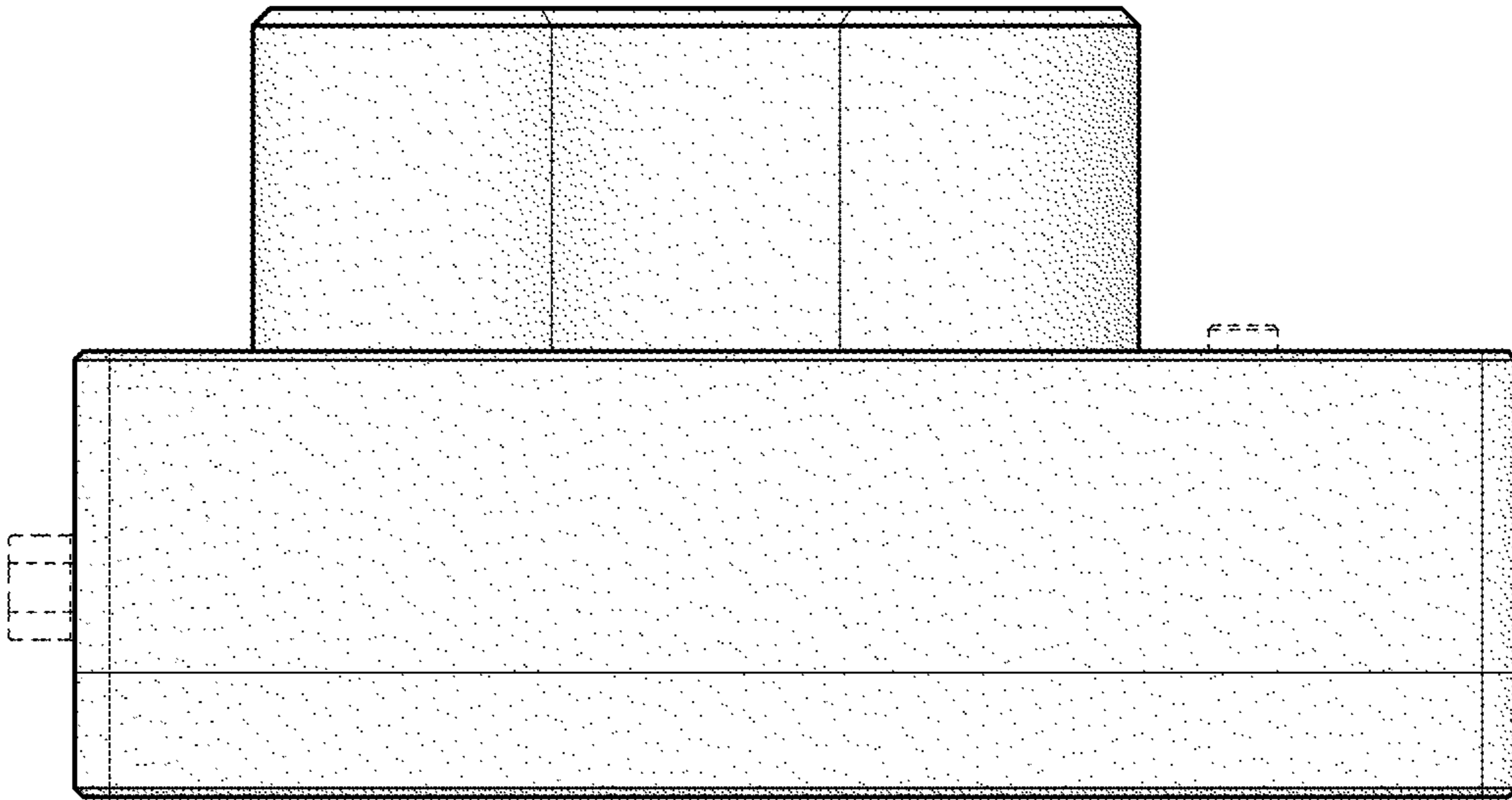


FIG. 7

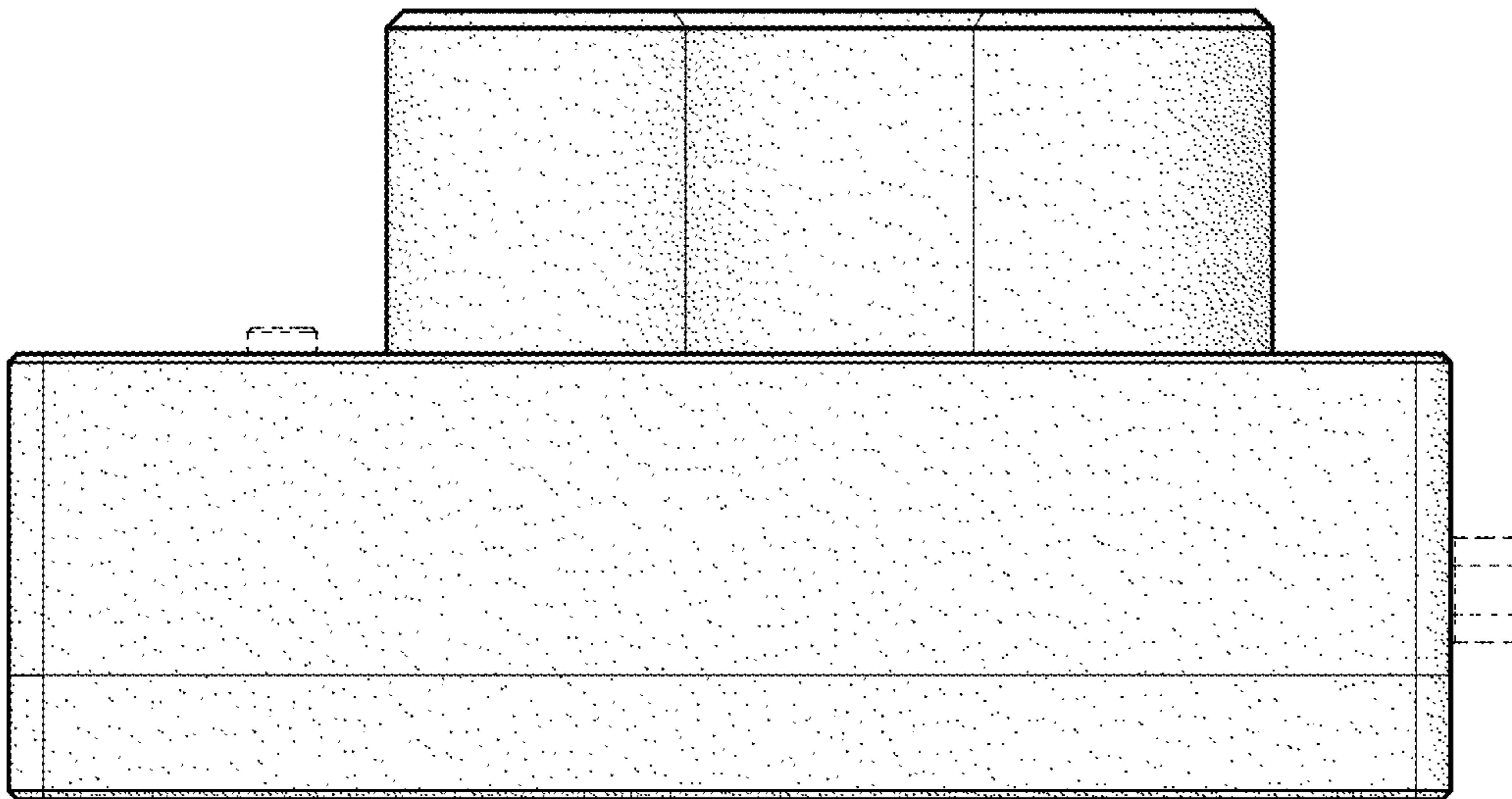


FIG. 8