



US00D907098S

(12) **United States Design Patent**  
**Xiong**

(10) **Patent No.:** **US D907,098 S**

(45) **Date of Patent:** **\*\* Jan. 5, 2021**

(54) **VEHICLE CAMERA**

(71) Applicant: **Shenzhen Sunvey Tech Co., Ltd,**  
Shenzhen (CN)

(72) Inventor: **Lijun Xiong,** Jingzhou (CN)

(\*\*) Term: **15 Years**

(21) Appl. No.: **29/709,081**

(22) Filed: **Oct. 11, 2019**

(51) **LOC (13) Cl.** ..... **16-01**

(52) **U.S. Cl.**

USPC ..... **D16/208;** D16/203

(58) **Field of Classification Search**

USPC ..... D16/200–208, 210, 214, 218, 219, 242;  
D10/65, 70, 74, 106.6; 348/373–376;  
358/906; 396/419, 427, 428, 535,  
396/539–541

CPC ..... G03B 15/03; G03B 17/02; G03B 17/04;  
G03B 17/56; G03B 19/04; H04N 5/2251;  
H04N 5/2252; H04N 5/2253; H04N  
5/2254; H04N 2101/00

See application file for complete search history.

(56) **References Cited**

**U.S. PATENT DOCUMENTS**

D453,177 S *	1/2002	Uehara	.....	D16/202
D460,978 S *	7/2002	Toste	.....	D16/203
D657,808 S *	4/2012	Woodman	.....	D16/200
D674,428 S *	1/2013	Woodman	.....	D16/218
D674,429 S *	1/2013	Woodman	.....	D16/218

8,544,643 B2 *	10/2013	Yim	.....	G03B 17/08 206/316.2
D694,797 S *	12/2013	Parker	.....	D16/203
D696,707 S *	12/2013	Guastadini	.....	D16/202
D702,747 S *	4/2014	Woodman	.....	D16/200
D713,439 S *	9/2014	Zhang	.....	D16/210
D721,753 S *	1/2015	Park	.....	D16/202
D849,098 S *	5/2019	Kapuria	.....	D16/208
D898,798 S *	10/2020	Xiong	.....	D16/202

\* cited by examiner

*Primary Examiner* — Ramzi S Almatrahi

(74) *Attorney, Agent, or Firm* — HYIP

(57) **CLAIM**

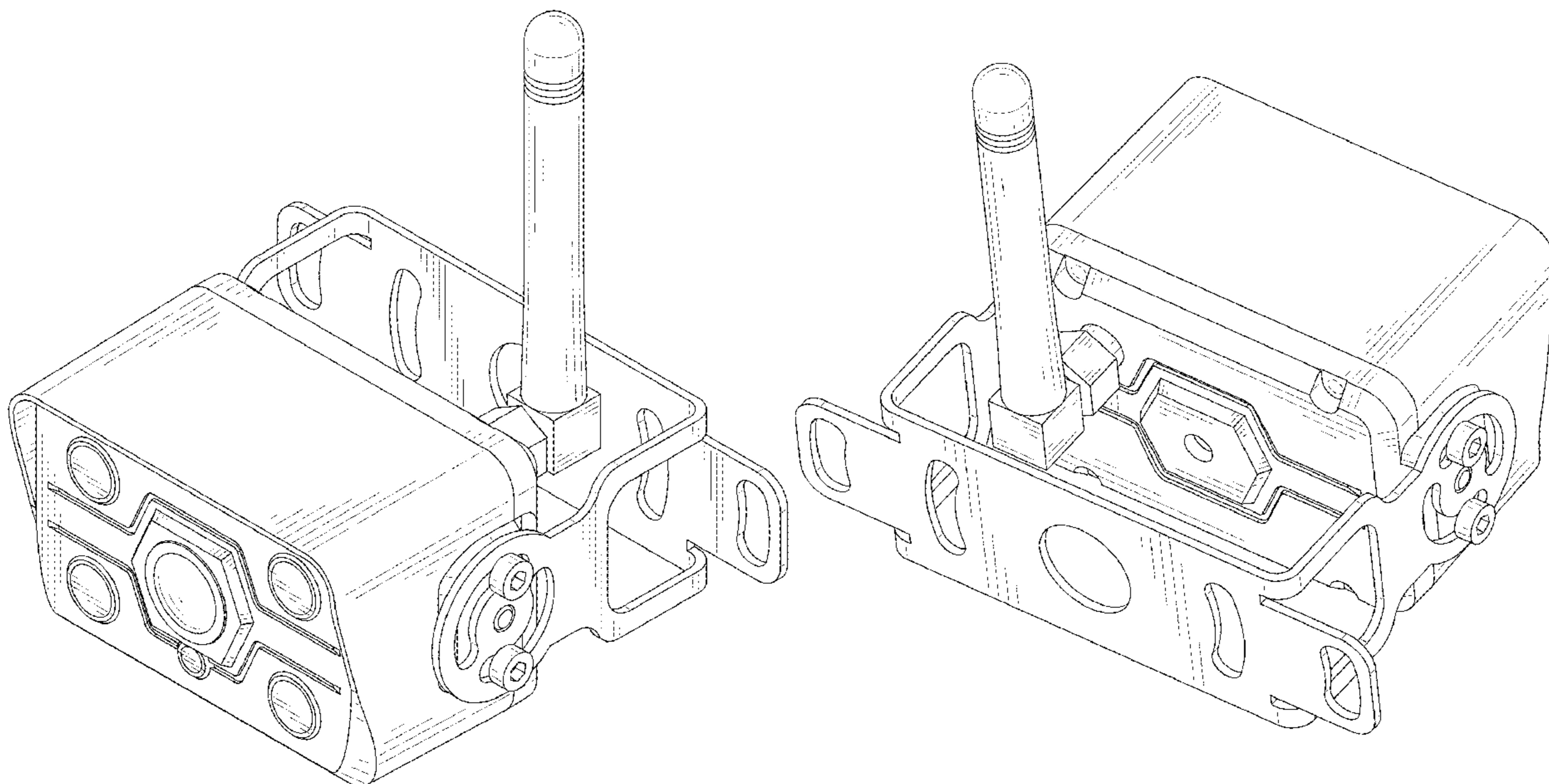
The ornamental design for a vehicle camera, as shown and described.

**DESCRIPTION**

FIG. 1 is a top, front and right side perspective view of a vehicle camera showing my new design;  
FIG. 2 is a bottom, rear and left side perspective view thereof;  
FIG. 3 is a front view thereof;  
FIG. 4 is a back view thereof;  
FIG. 5 is a left side view thereof;  
FIG. 6 is a right side view thereof;  
FIG. 7 is a top plan view thereof; and,  
FIG. 8 is a bottom plan view thereof.

The broken lines shown in the drawings depict portions of the vehicle camera in which the design is embodied that form no part of the claimed design.

**1 Claim, 8 Drawing Sheets**



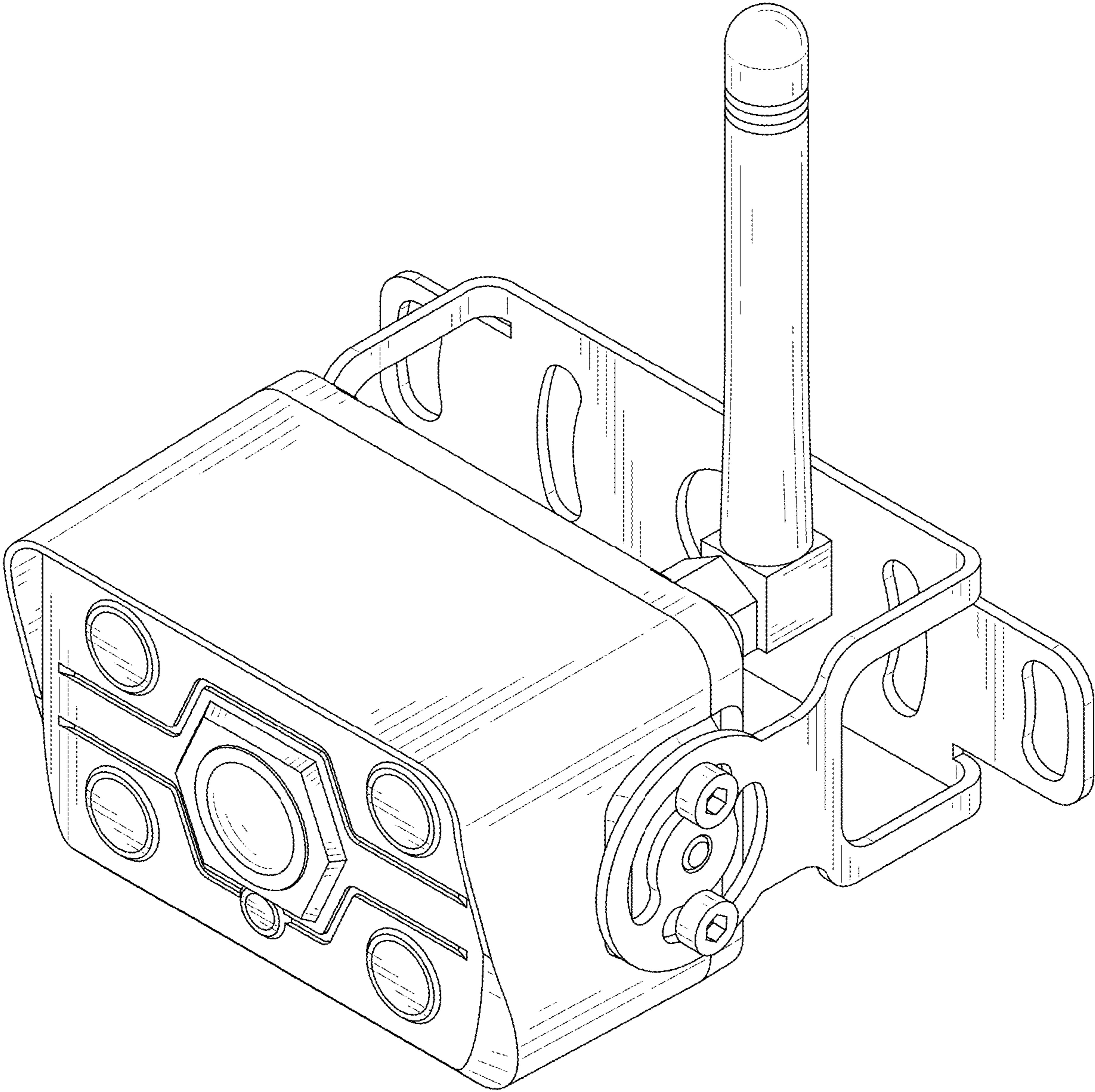


FIG. 1

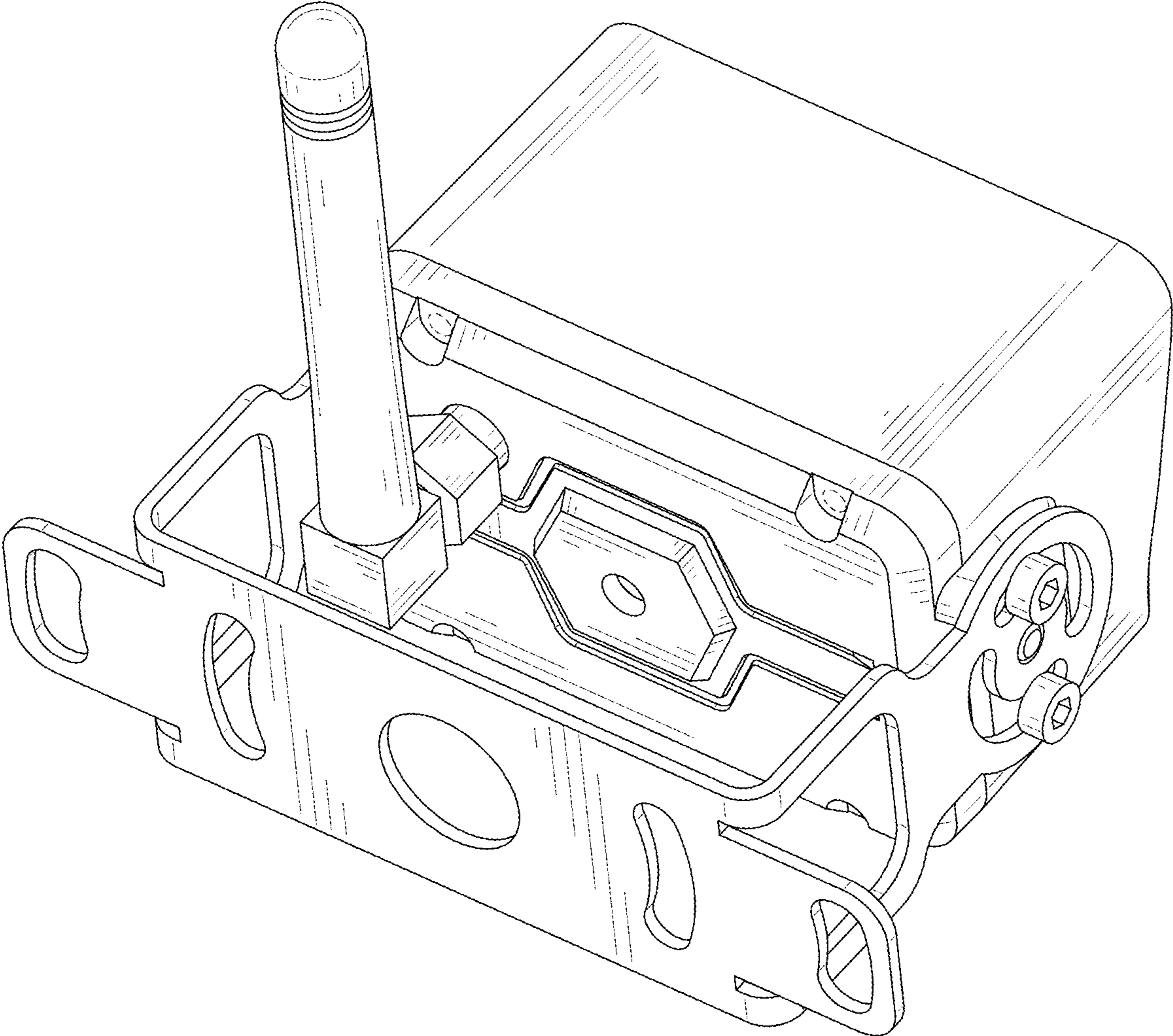


FIG. 2

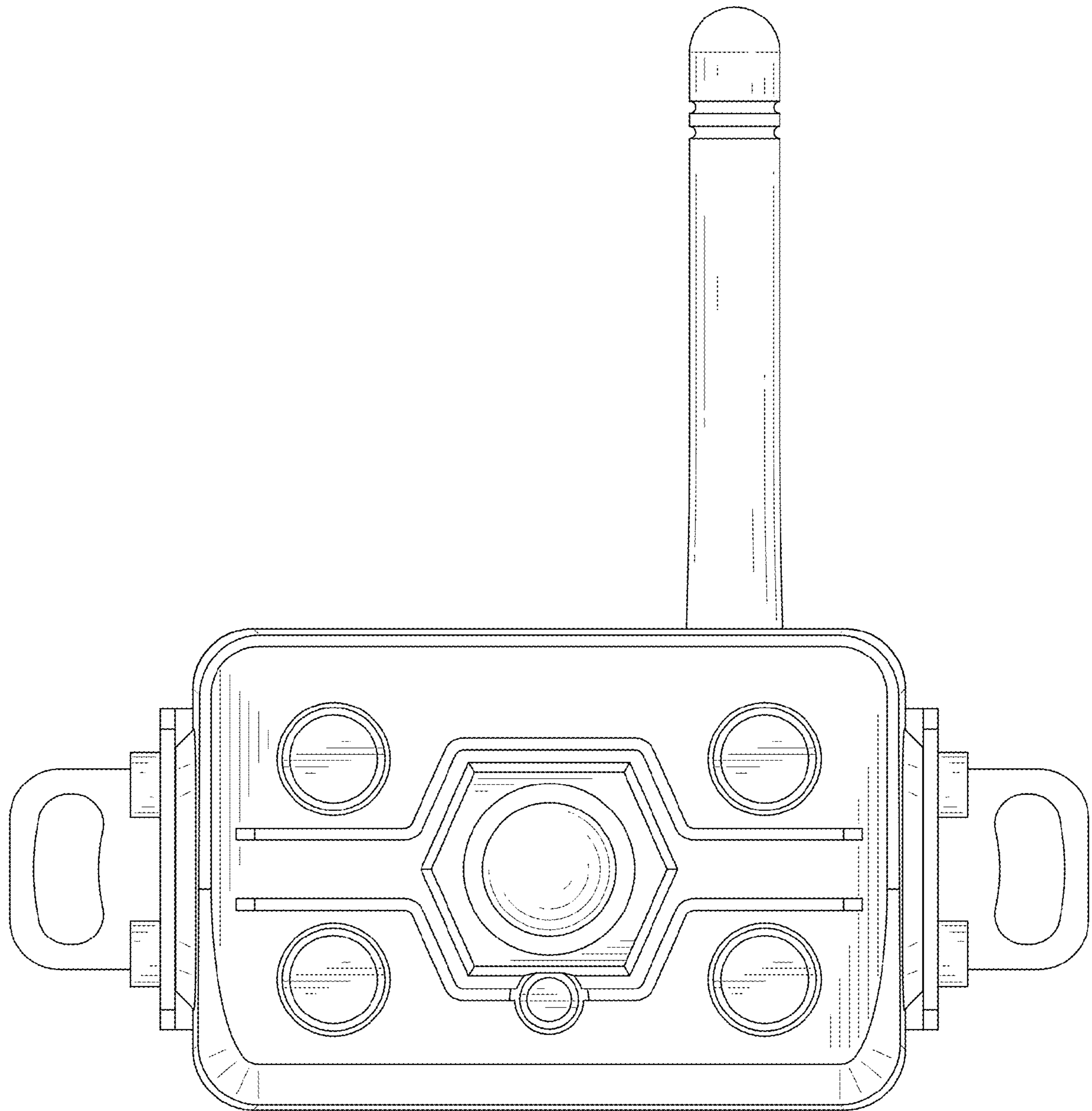


FIG. 3

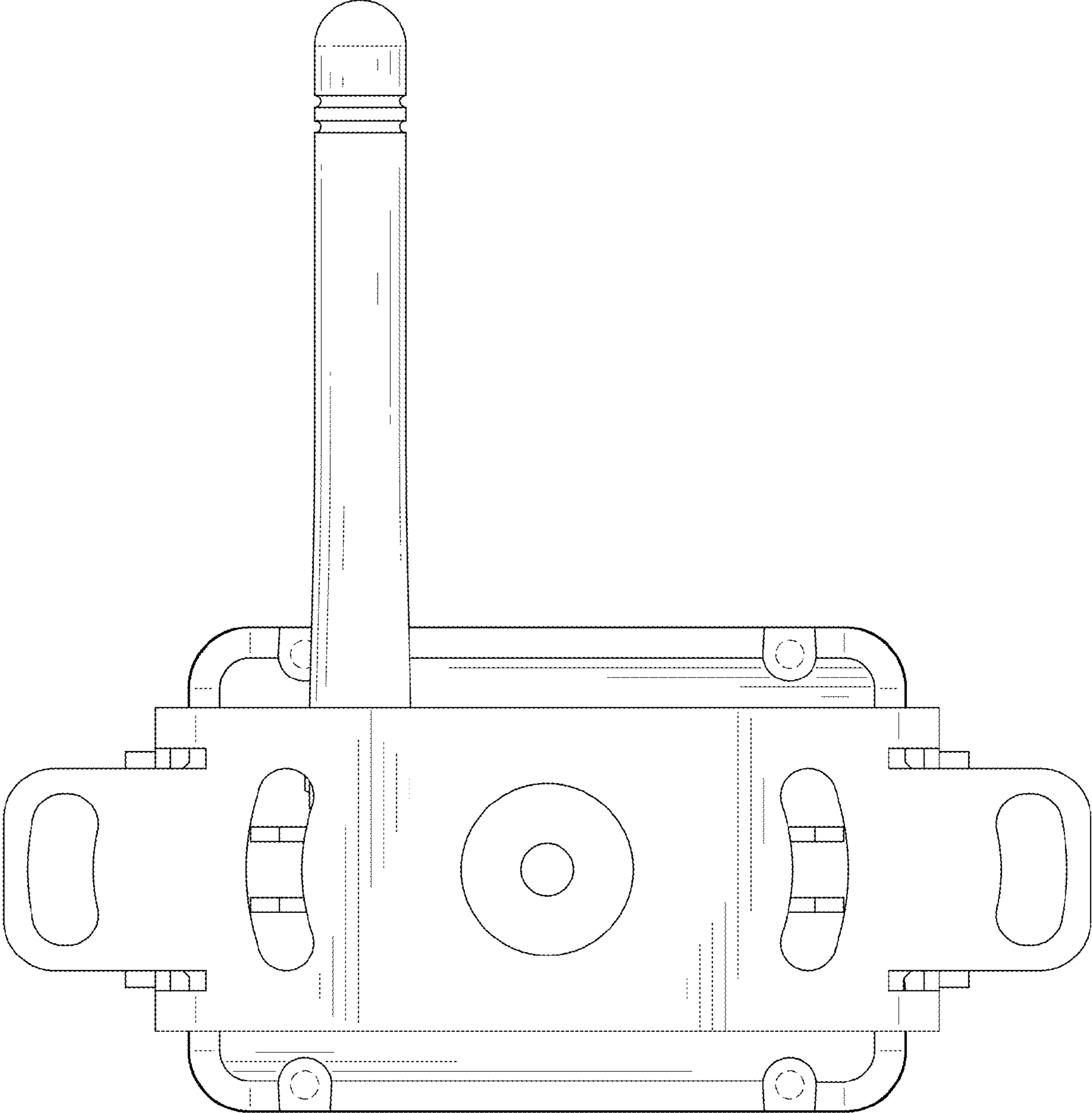


FIG. 4

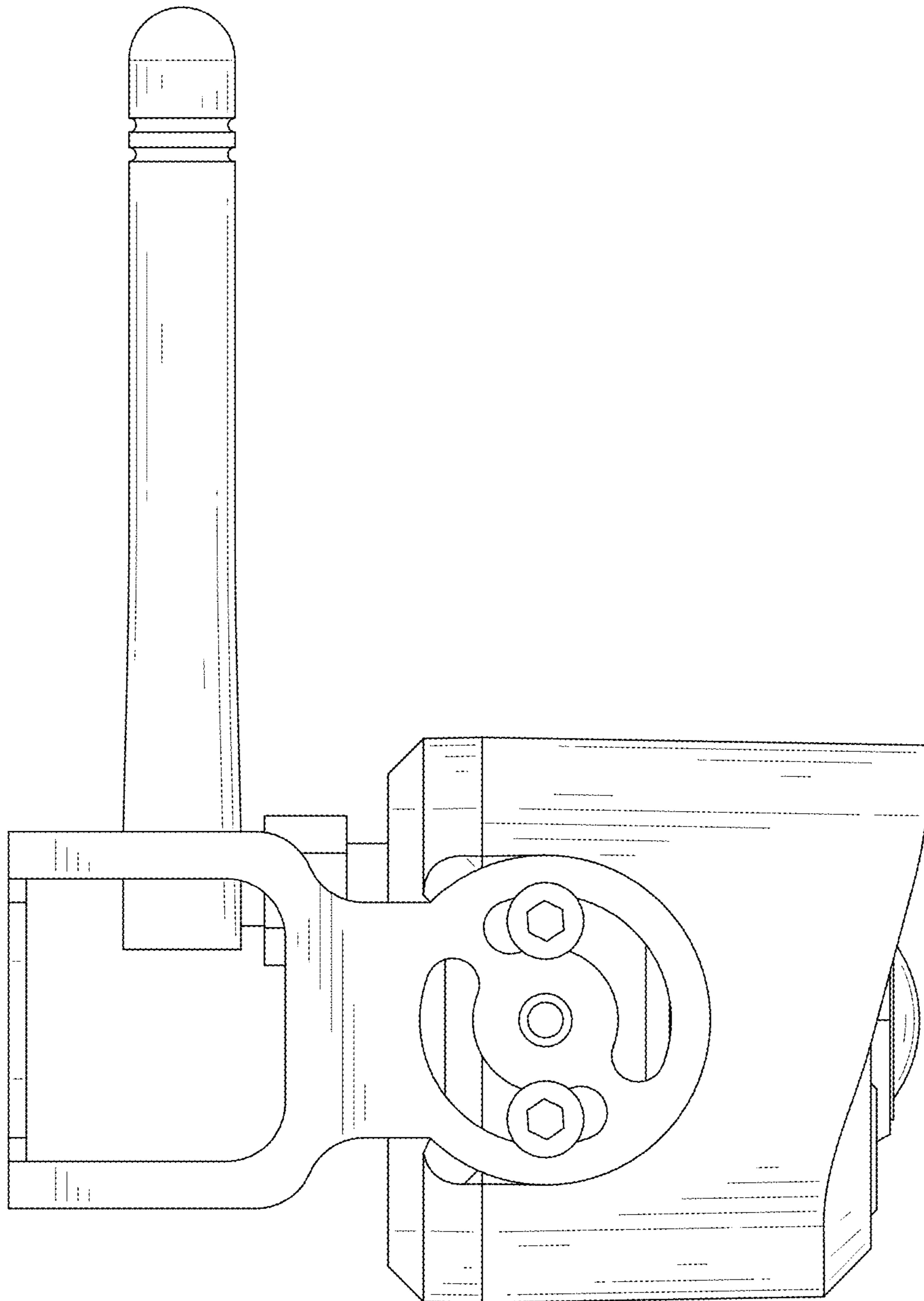


FIG. 5

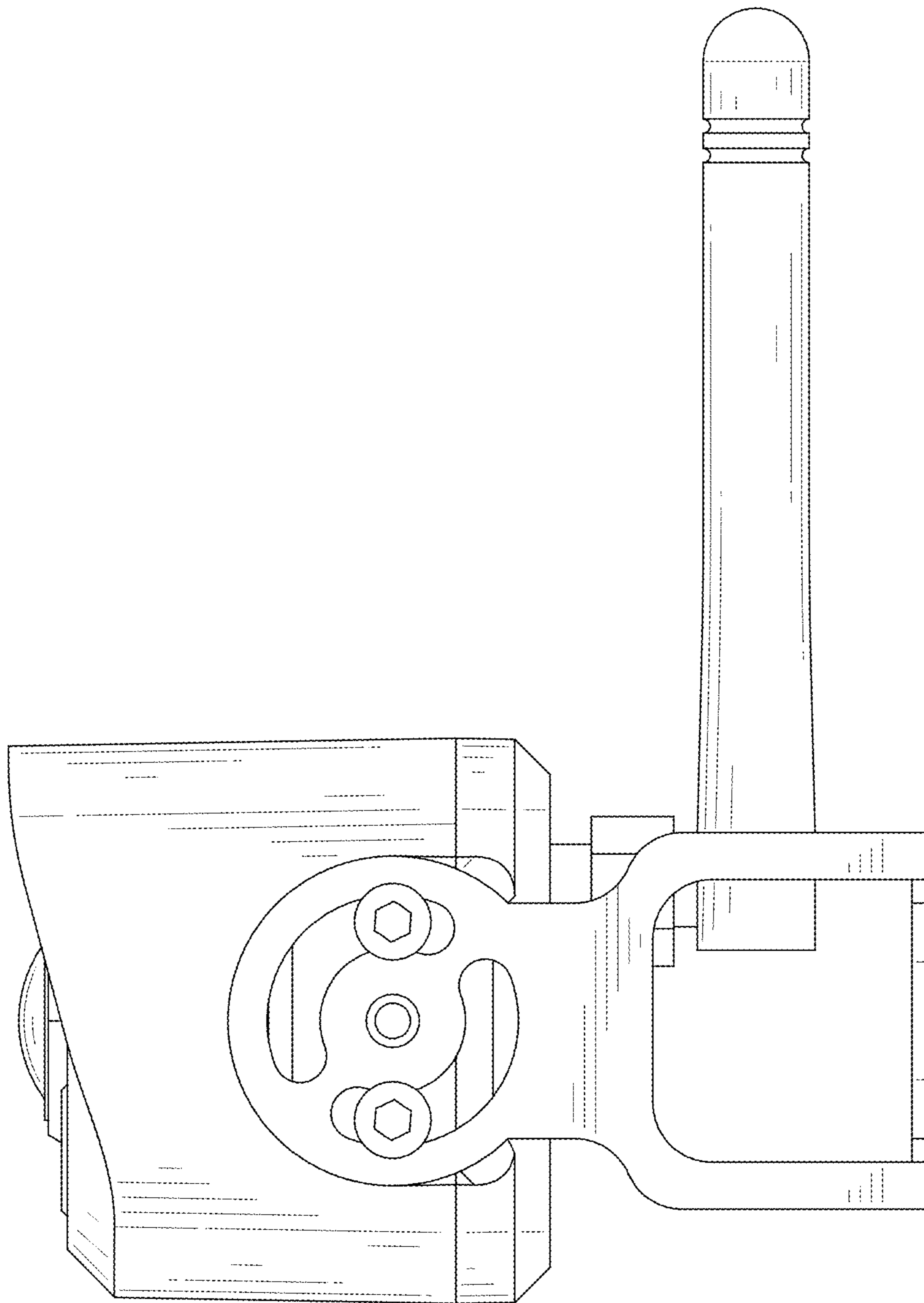


FIG. 6

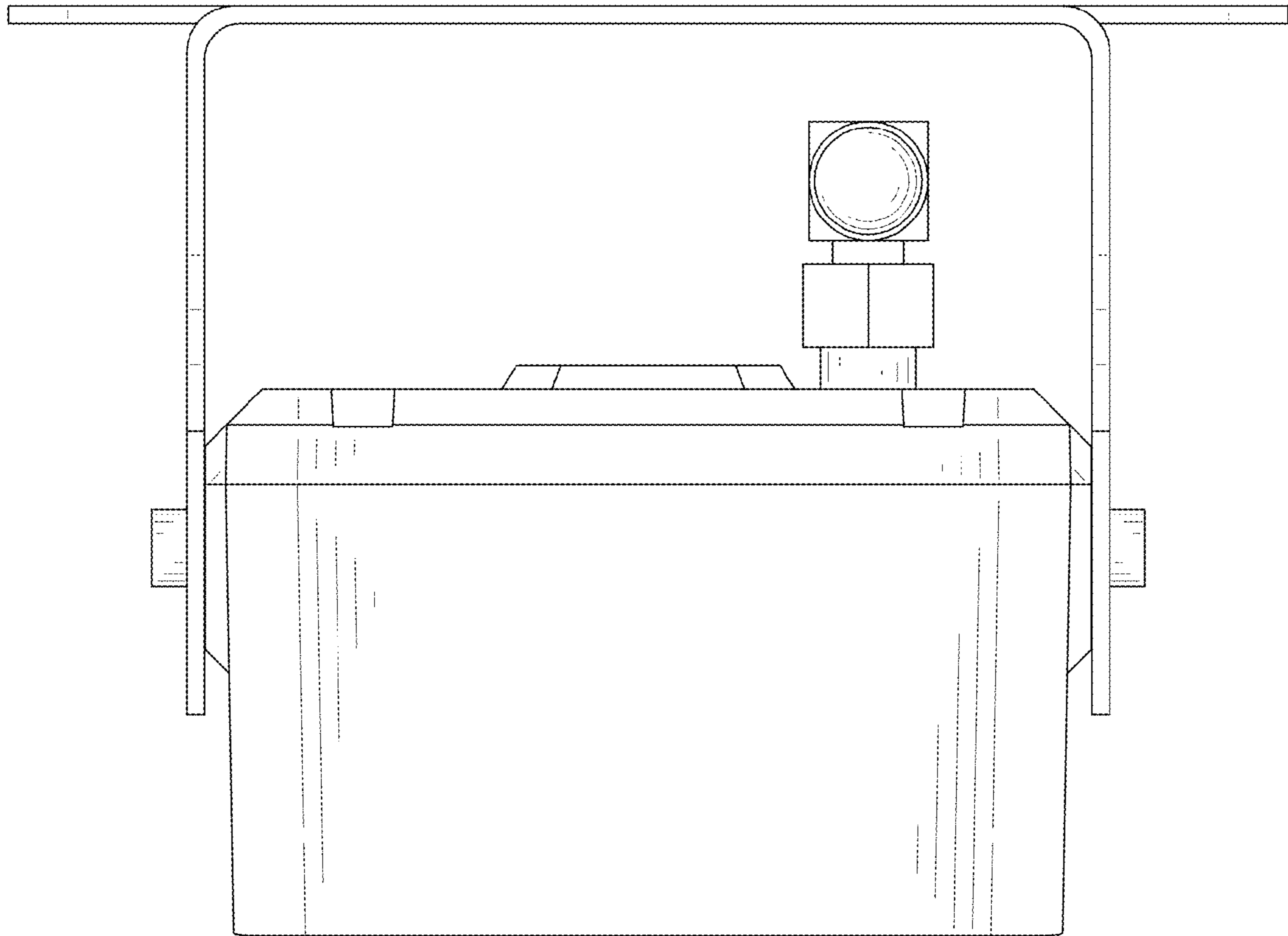


FIG. 7



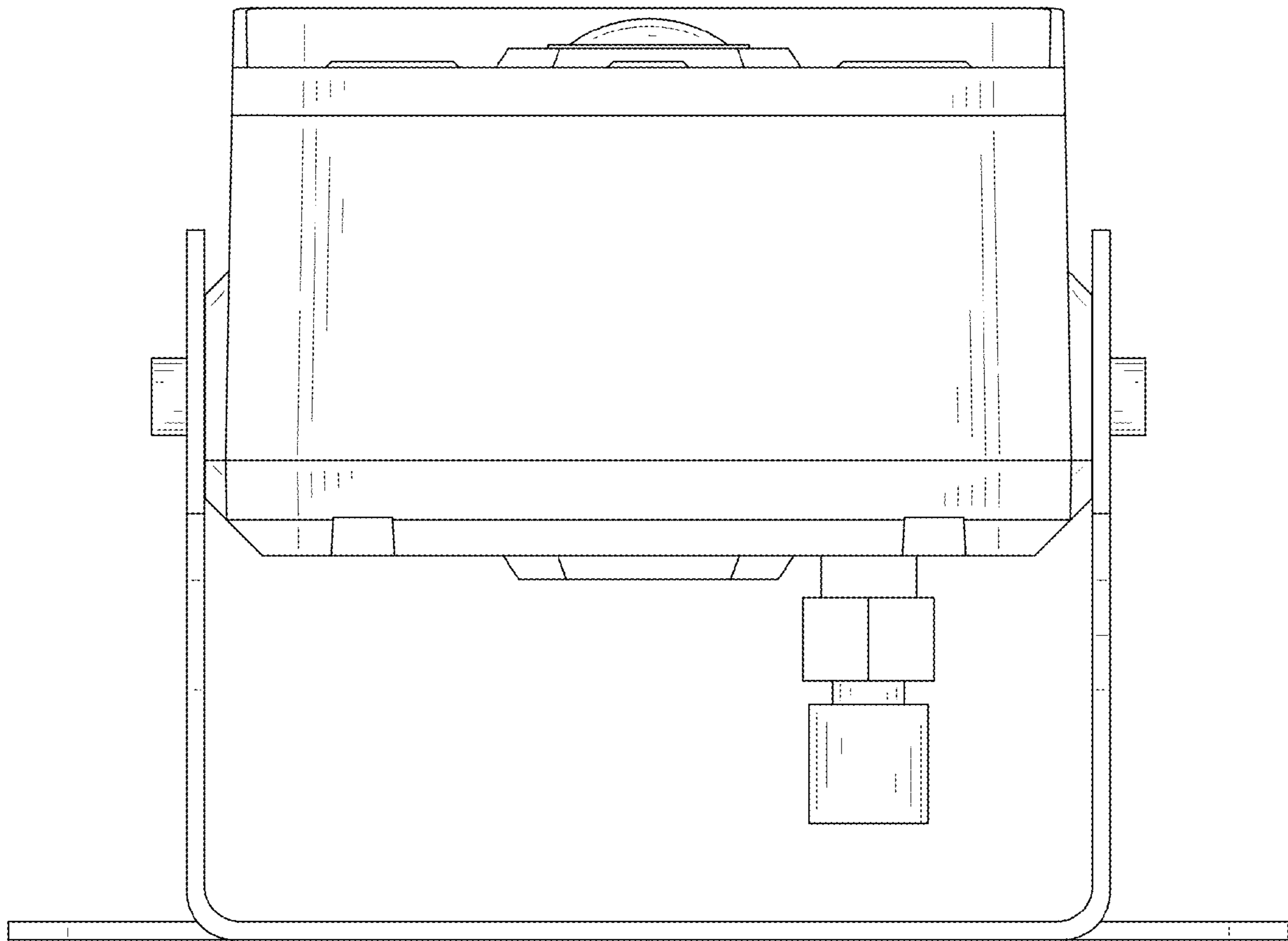


FIG. 8