



US00D907097S

(12) **United States Design Patent**
Suurmeijer et al.

(10) **Patent No.:** **US D907,097 S**

(45) **Date of Patent:** **** Jan. 5, 2021**

(54) **HANDHELD ACOUSTIC IMAGER**

(71) Applicant: **Fluke Corporation**, Everett, WA (US)

(72) Inventors: **Christian P. Suurmeijer**, Almelo (NL);
Jaap ter Keurs, Almelo (NL); **Scott M. Tsukamaki**, Kirkland, WA (US);
Nelson M. Abaga, Lake Stevens, WA (US); **Paul A. Richer**, Everett, WA (US)

(73) Assignee: **Fluke Corporation**, Everett, WA (US)

(**) Term: **15 Years**

(21) Appl. No.: **29/691,856**

(22) Filed: **May 20, 2019**

(51) **LOC (13) Cl.** **16-01**

(52) **U.S. Cl.**
USPC **D16/206**; D16/218

(58) **Field of Classification Search**
USPC D16/200, 202–206, 218, 219, 242;
D10/57, 70; 348/143, 148, 151, 164,
348/373–376; 396/419, 427, 535,
396/539–541
CPC G03B 17/02; G03B 19/04; G03B 17/56;
G03B 17/04; G03B 15/03; H04N 5/2251;
H04N 5/2252; H04N 5/2253; H04N
5/2254; H04N 7/181; H04N 7/183; H04N
7/18; G08B 13/1963; G08B 13/19619;
G08B 13/19632

See application file for complete search history.

(56) **References Cited**

U.S. PATENT DOCUMENTS

D579,475 S * 10/2008 Aronsson D16/218
D598,038 S * 8/2009 Takahashi D16/200

D616,008 S * 5/2010 Enervold D16/218
D713,439 S * 9/2014 Zhang D16/210
D718,801 S * 12/2014 Zetterlund D16/218
D758,468 S * 6/2016 Darty D16/207
D817,377 S * 5/2018 Nichol D16/200
D835,698 S * 12/2018 Darty D16/206
D849,087 S * 5/2019 Li D16/202
D849,105 S * 5/2019 Hogstedt D16/218
D862,559 S * 10/2019 Johansson D16/202
D865,835 S * 11/2019 Fidler D16/202
D865,836 S * 11/2019 Puusaari D16/202

* cited by examiner

Primary Examiner — Ramzi S Almatrahi

(74) *Attorney, Agent, or Firm* — Seed Intellectual Property Law Group LLP

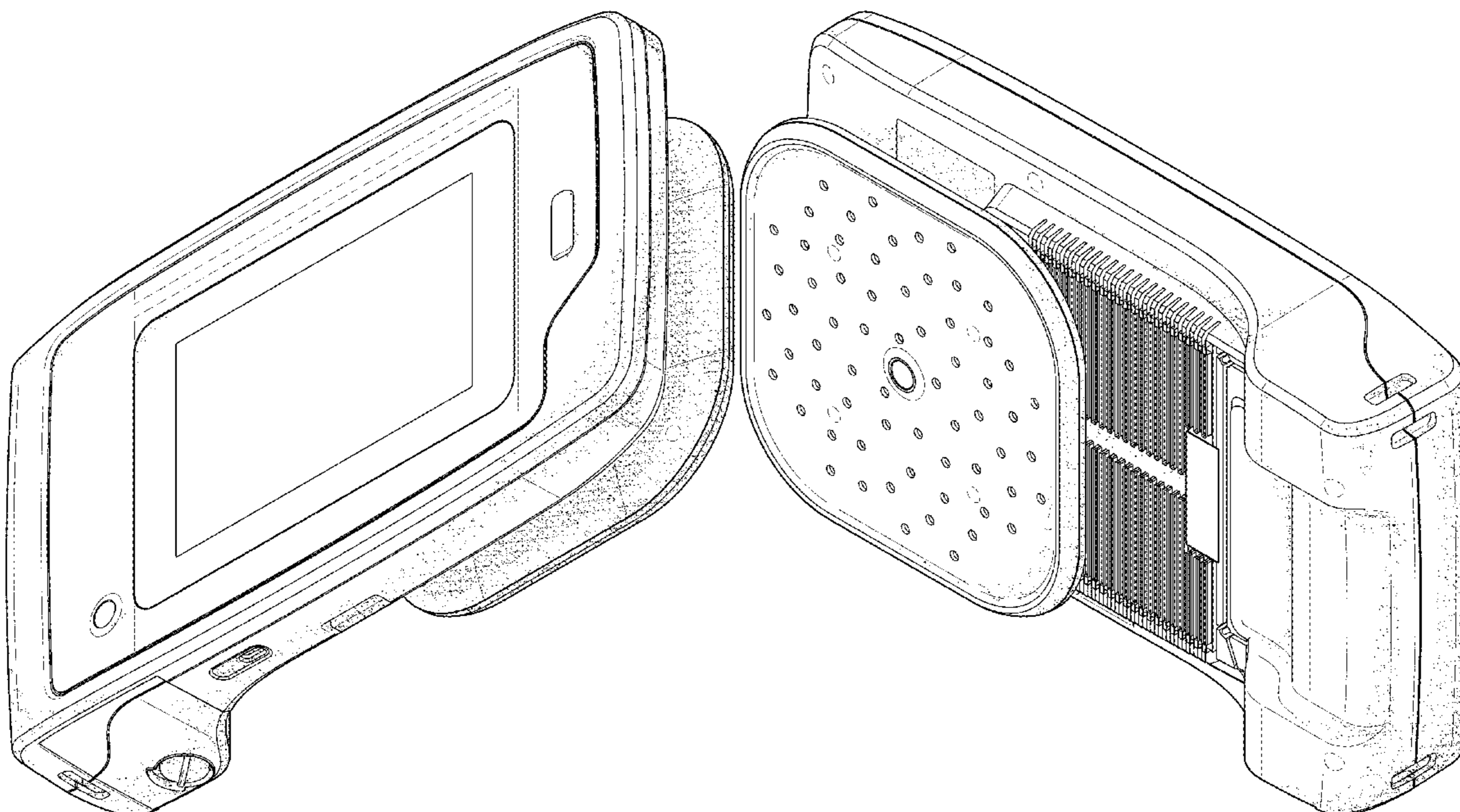
(57) **CLAIM**

The ornamental design for a handheld acoustic imager, as shown and described.

DESCRIPTION

FIG. 1 is a bottom, front right side perspective view of a handheld acoustic imager showing our new design. FIG. 2 is a top, rear, left side perspective view thereof. FIG. 3 is a front elevation view thereof. FIG. 4 is a rear elevation view thereof. FIG. 5 is a top plan view thereof. FIG. 6 is a bottom plan view thereof. FIG. 7 is a right side elevation view thereof; and, FIG. 8 is a left side elevation view thereof. The features in broken lines are shown for the purpose of illustrating portions of the handheld acoustic imager that form no part of the claimed design.

1 Claim, 8 Drawing Sheets



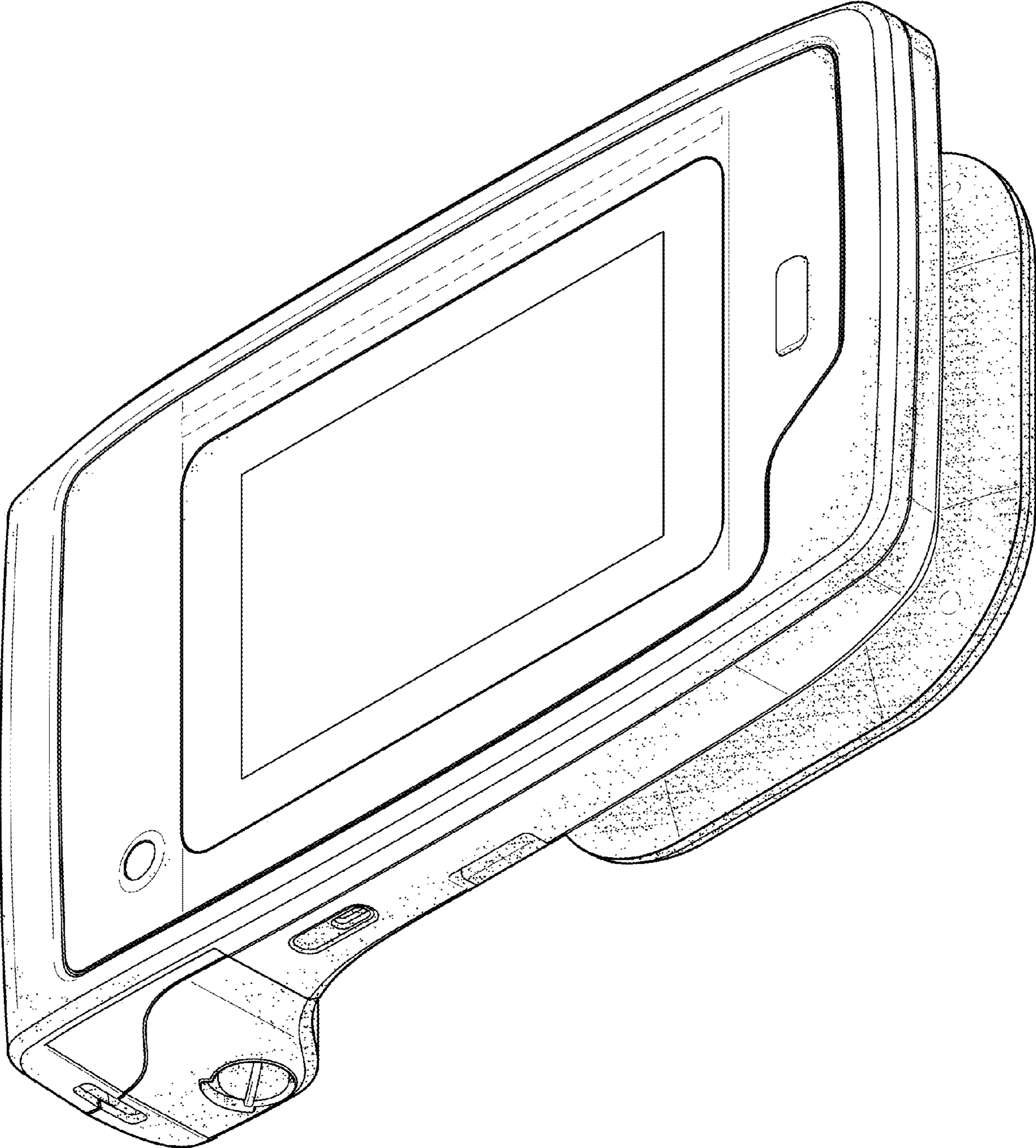


FIG. 1

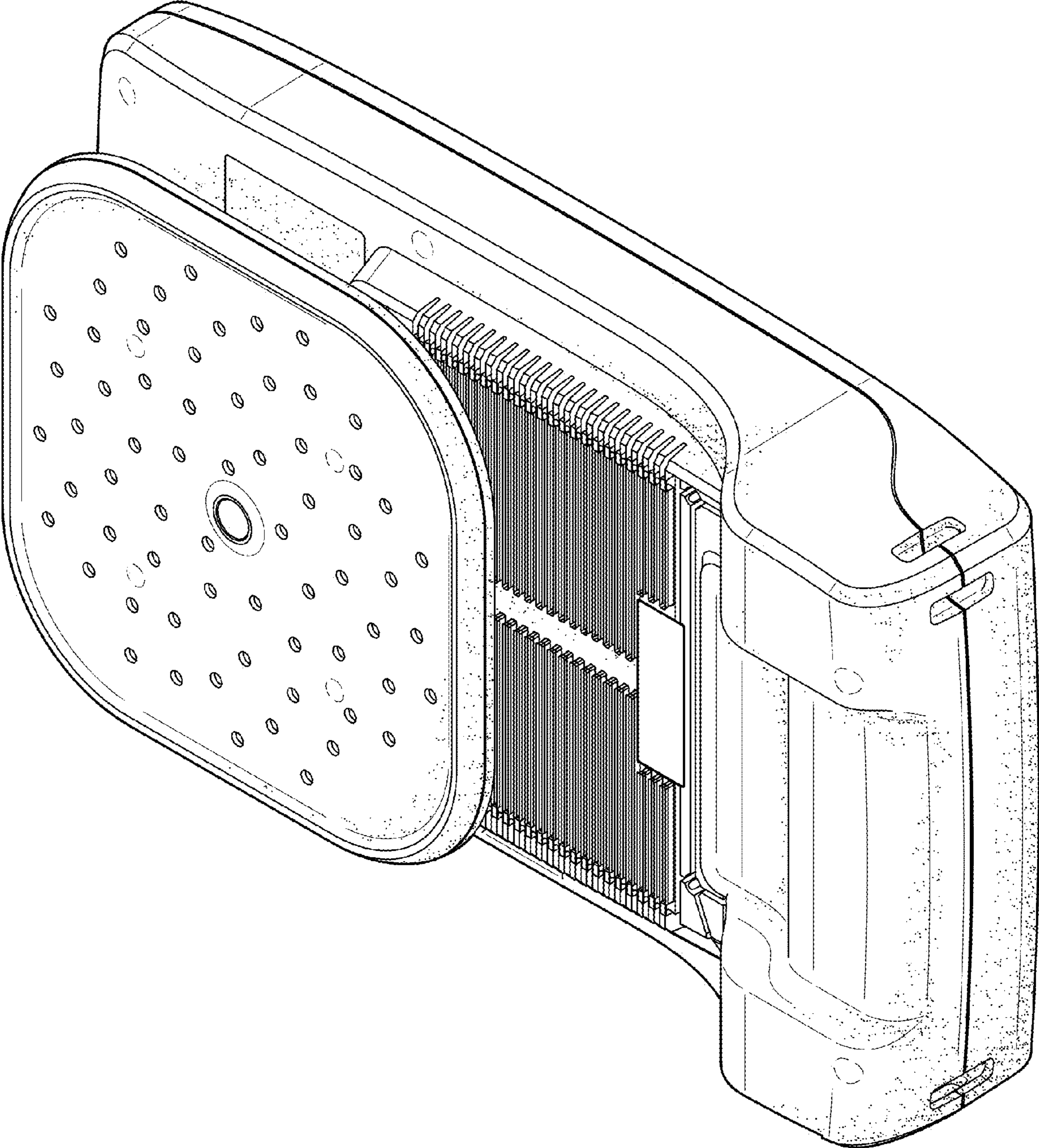


FIG. 2

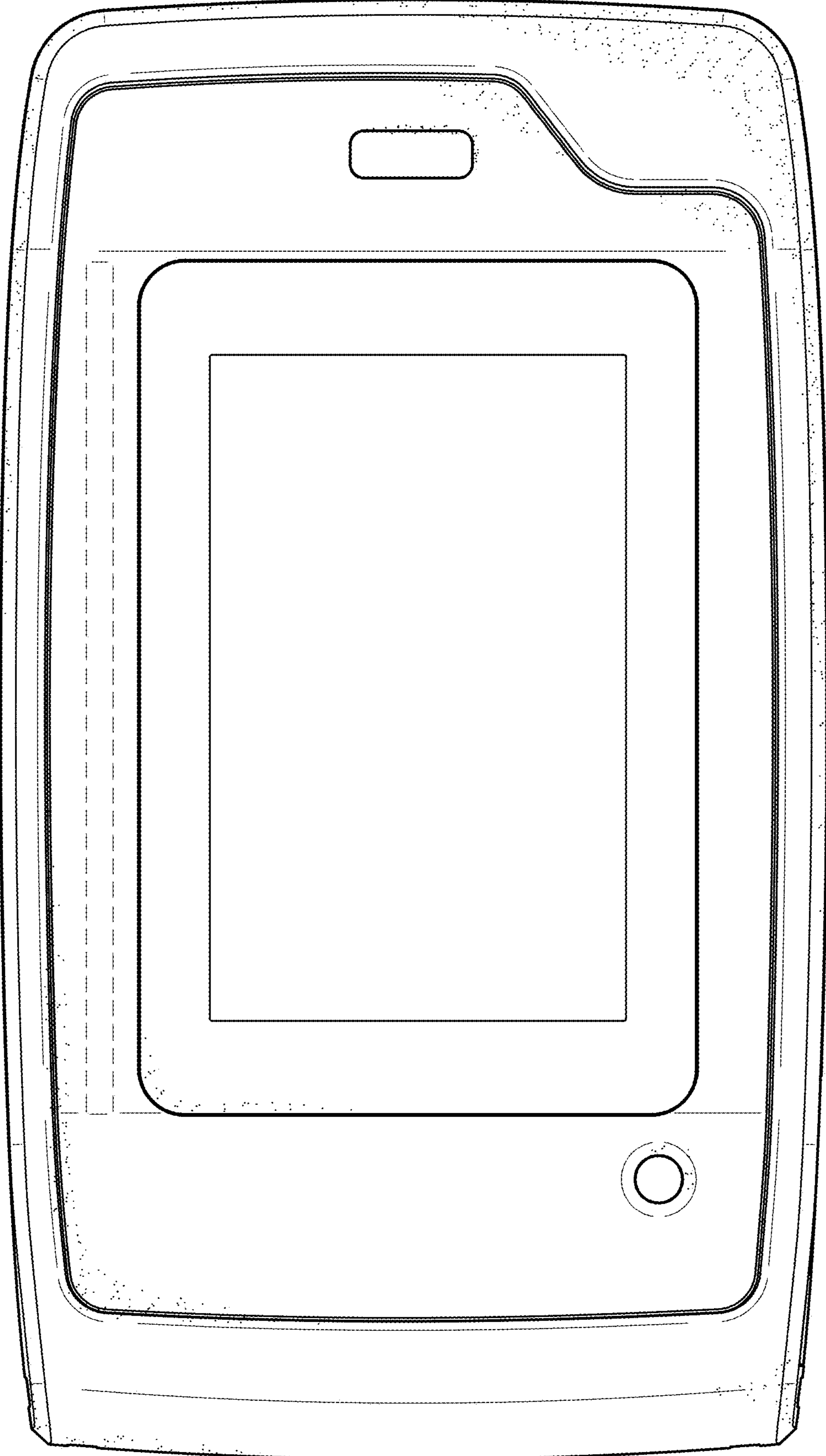


FIG. 3

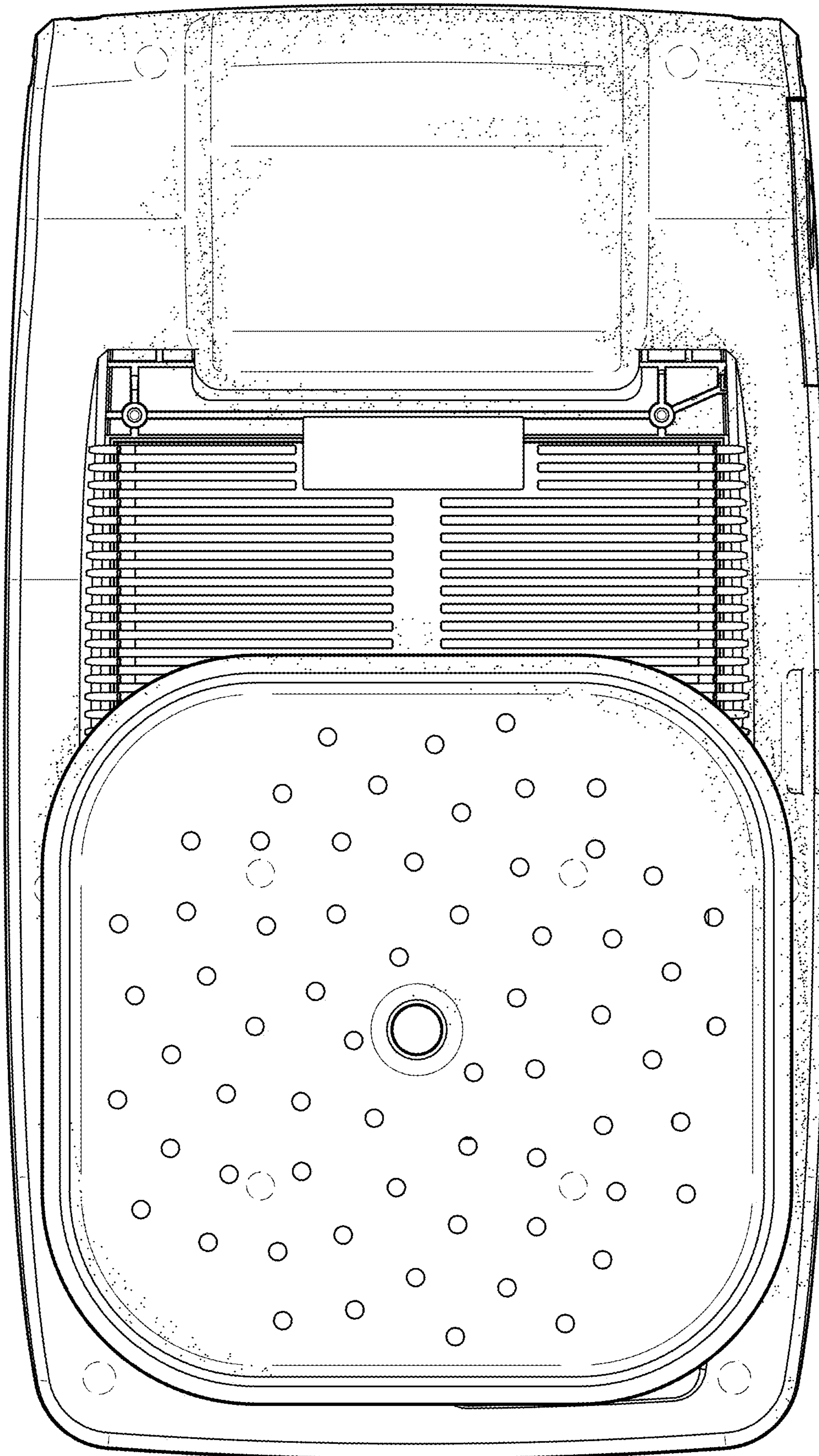


FIG. 4

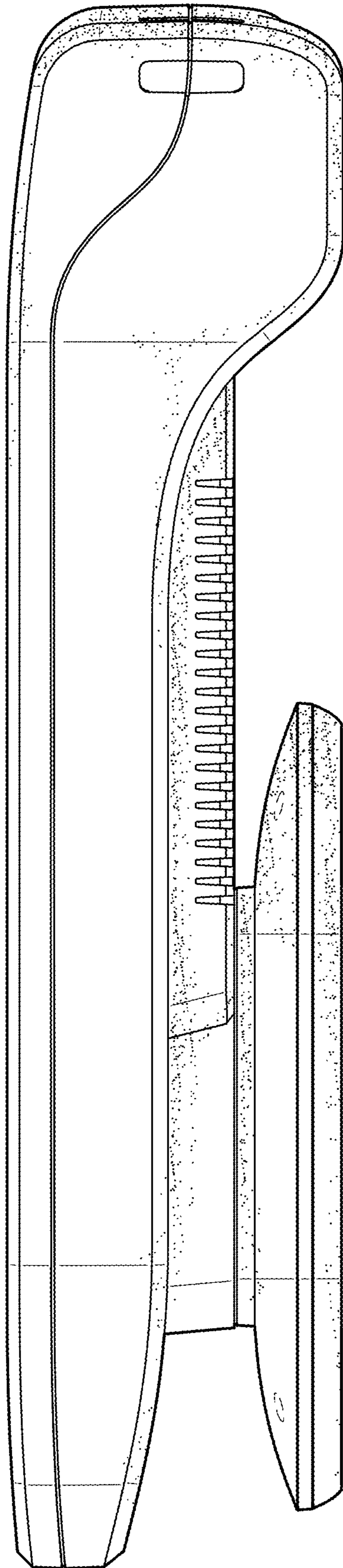


FIG. 5

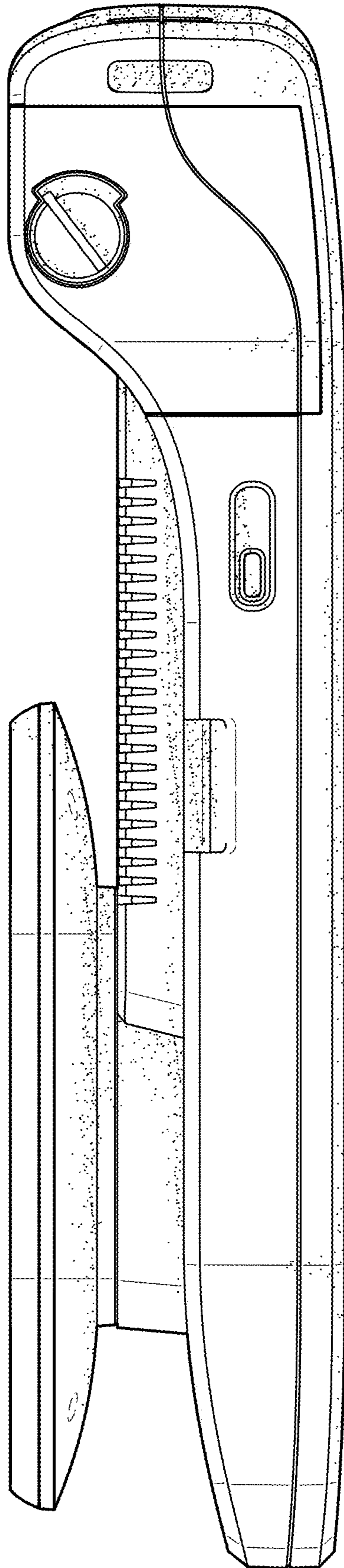


FIG. 6

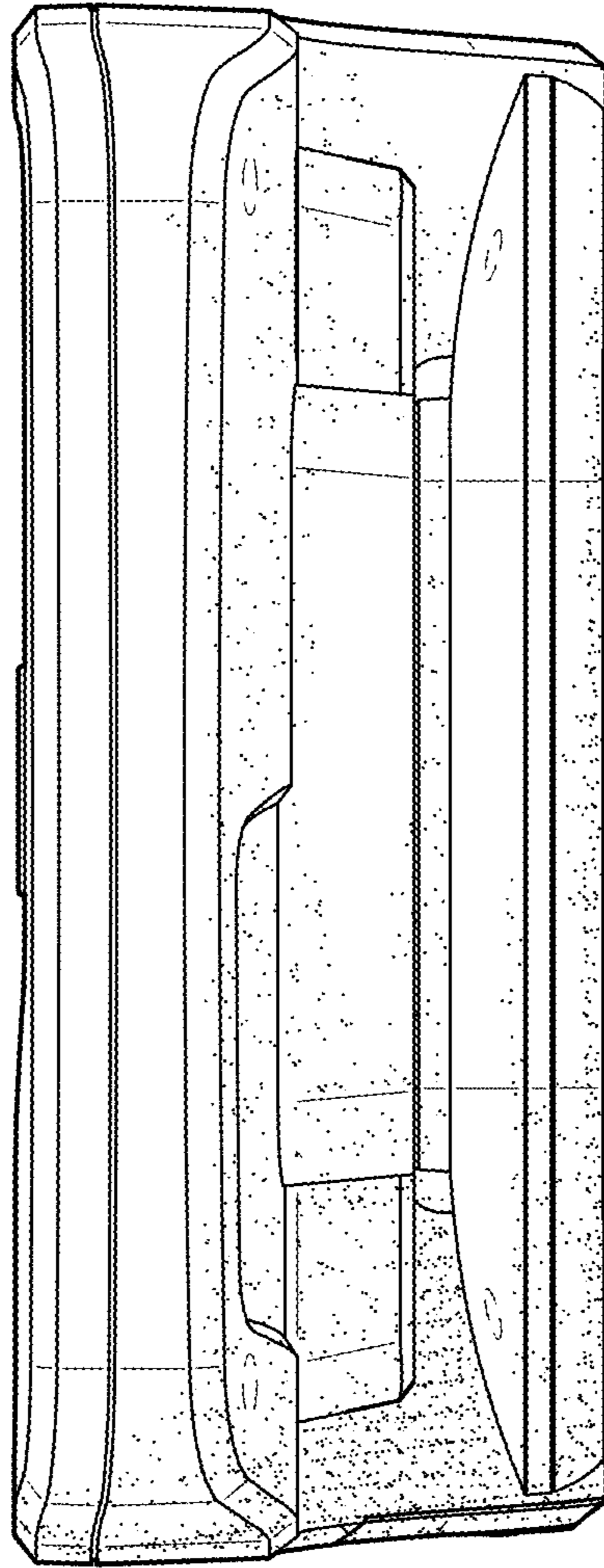


FIG. 7

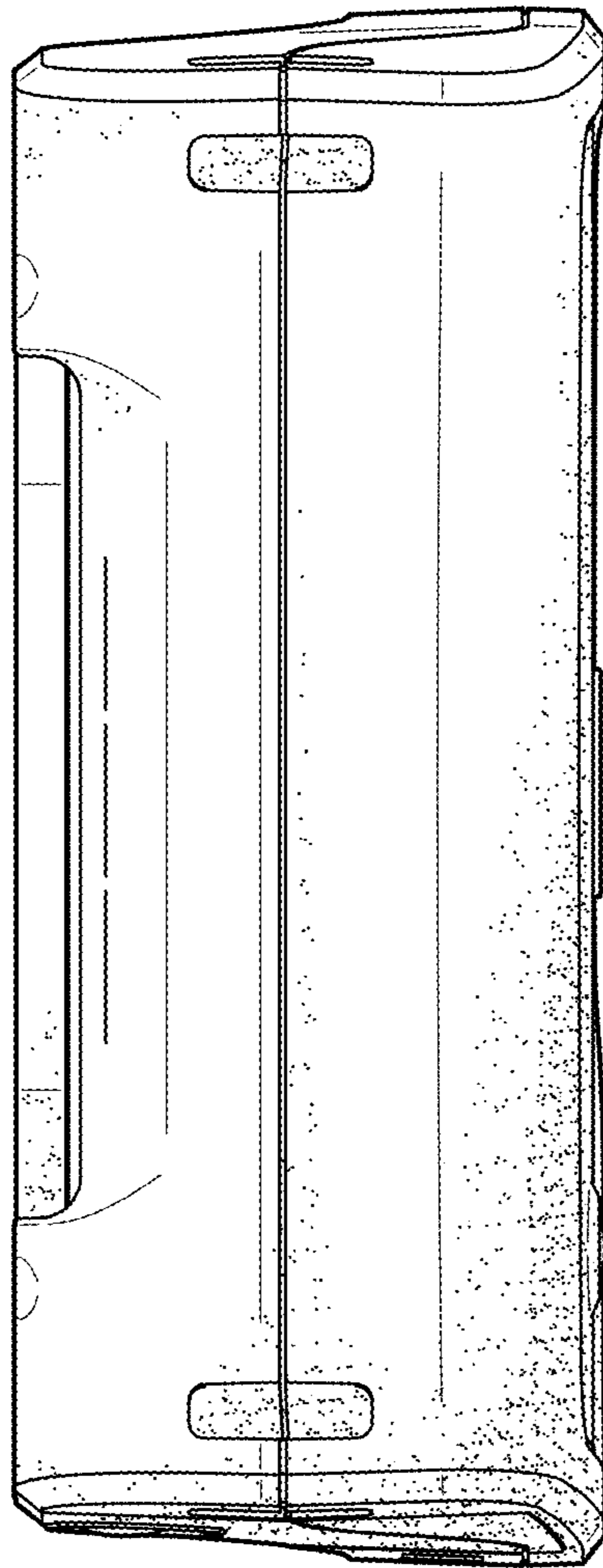


FIG. 8