



US00D907095S

(12) **United States Design Patent**  
**Hayes**

(10) **Patent No.:** **US D907,095 S**

(45) **Date of Patent:** **\*\* Jan. 5, 2021**

(54) **CAMERA DEVICE WITH STAND**

(71) Applicant: **ECOBEE INC.**, Toronto (CA)

(72) Inventor: **Jonathan Hayes**, Cambridge, MA (US)

(73) Assignee: **ECOBEE INC.**, Toronto (CA)

(\*\*) Term: **15 Years**

(21) Appl. No.: **29/680,117**

(22) Filed: **Feb. 13, 2019**

(51) **LOC (13) Cl.** ..... **16-01**

(52) **U.S. Cl.**  
USPC ..... **D16/203**

(58) **Field of Classification Search**  
USPC ..... D16/200, 202–206, 208, 214, 218, 219;  
348/373–376; 396/535, 539–541  
CPC ..... G03B 15/03; G03B 17/02; G03B 17/04;  
G03B 17/56; G03B 19/04; H04N 5/2251;  
H04N 5/2252; H04N 5/2253; H04N  
5/2254; H04N 2101/00  
See application file for complete search history.

(56) **References Cited**

**U.S. PATENT DOCUMENTS**

|            |   |         |           |       |         |
|------------|---|---------|-----------|-------|---------|
| D575,316 S | * | 8/2008  | Liu       | ..... | D16/202 |
| D624,108 S | * | 9/2010  | Wang      | ..... | D16/219 |
| D649,573 S | * | 11/2011 | Al        | ..... | D16/202 |
| D692,473 S | * | 10/2013 | Kawaguchi | ..... | D16/202 |
| D697,119 S | * | 1/2014  | Park      | ..... | D16/202 |
| D741,932 S | * | 10/2015 | Huang     | ..... | D16/202 |
| D795,938 S | * | 8/2017  | Ravat     | ..... | D16/202 |
| D804,561 S | * | 12/2017 | Luo       | ..... | D16/202 |
| D818,028 S | * | 5/2018  | Ramones   | ..... | D16/214 |
| D831,091 S | * | 10/2018 | Loew      | ..... | D16/203 |
| D857,776 S | * | 8/2019  | Li        | ..... | D16/202 |

D876,518 S \* 2/2020 Tran ..... D16/218  
2013/0038728 A1 \* 2/2013 Kim ..... H04N 5/2256  
348/143

\* cited by examiner

*Primary Examiner* — Ramzi S Almatrahi

(74) *Attorney, Agent, or Firm* — Perry + Currier Inc.

(57) **CLAIM**

The ornamental design for a camera device with stand, as shown and described.

**DESCRIPTION**

FIG. 1 is a front perspective view of a camera device with stand, shown with the stand located at the bottom of the camera device.

FIG. 2 is a front perspective view thereof, shown in condition of use with a sample environment disclosed in broken lines to illustrate an environment.

FIG. 3 is a rear perspective view thereof.

FIG. 4 is a left side elevation view thereof.

FIG. 5 is a front elevation view thereof.

FIG. 6 is a right side elevation view thereof.

FIG. 7 is a rear elevation view thereof.

FIG. 8 is a top plan view thereof.

FIG. 9 is a bottom plan view thereof.

FIG. 10 is a front perspective view thereof, shown with the stand located at the rear of the camera device.

FIG. 11 is a left side elevation view thereof.

FIG. 12 is a front elevation view thereof.

FIG. 13 is a right side elevation view thereof.

FIG. 14 is a rear elevation view thereof.

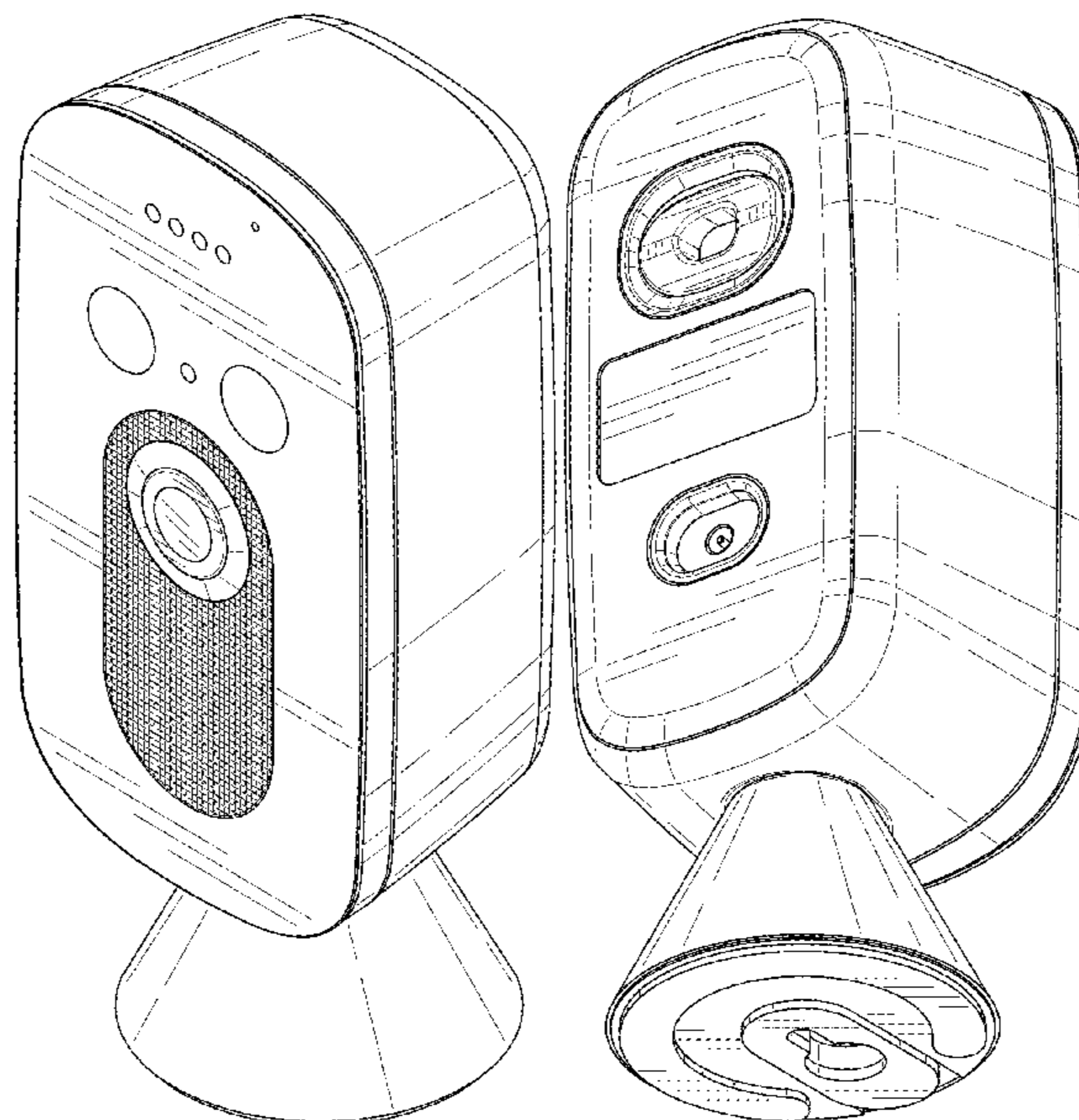
FIG. 15 is a top plan view thereof.

FIG. 16 is a bottom plan view thereof; and,

FIG. 17 is a front perspective view thereof, shown in condition of use with a sample environment disclosed in broken lines to illustrate an environment.

The broken lines showing a sample environment in FIGS. 2 and 17 represent environmental structure and form no part of the claimed design.

**1 Claim, 11 Drawing Sheets**



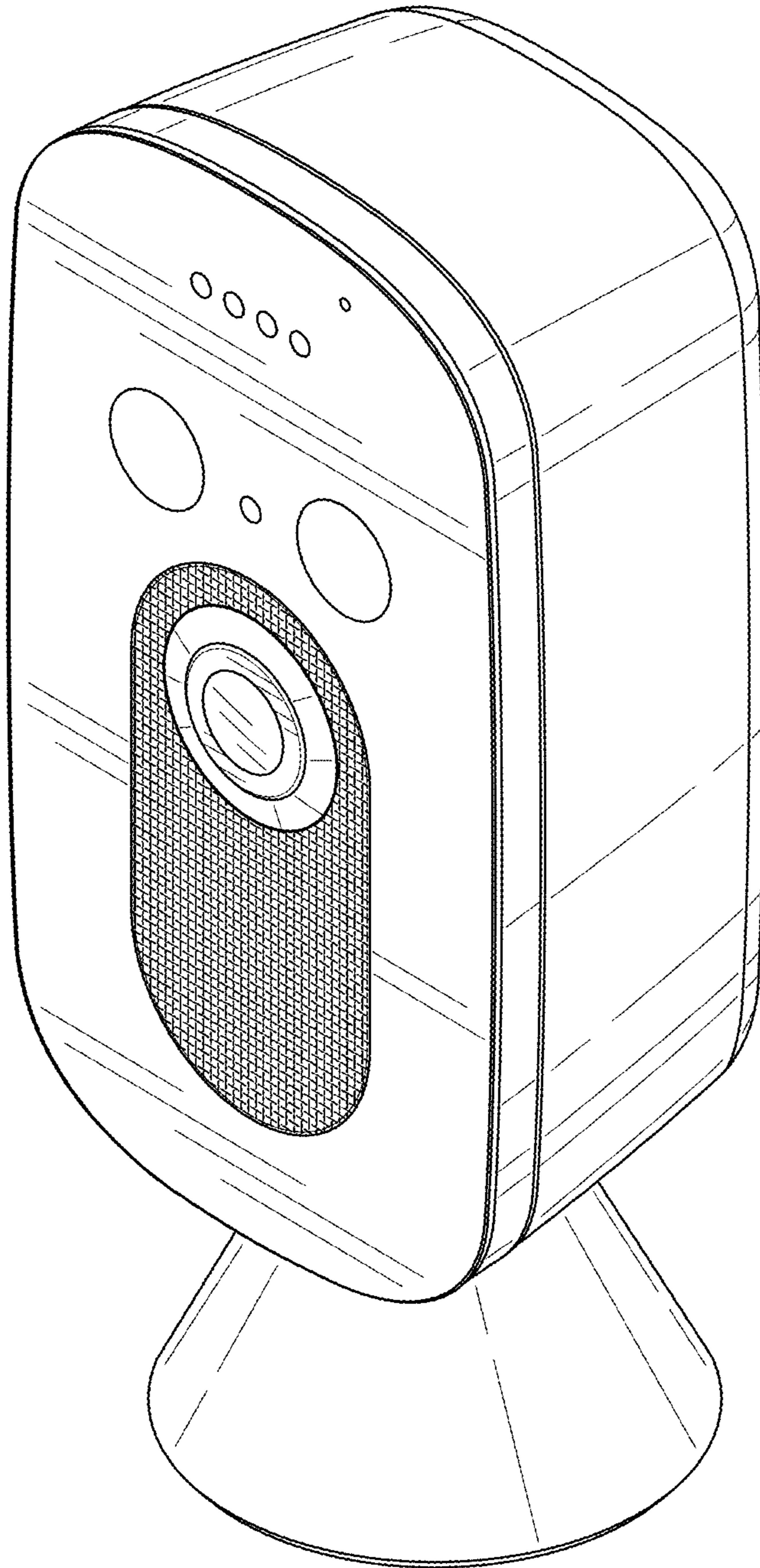


FIG. 1

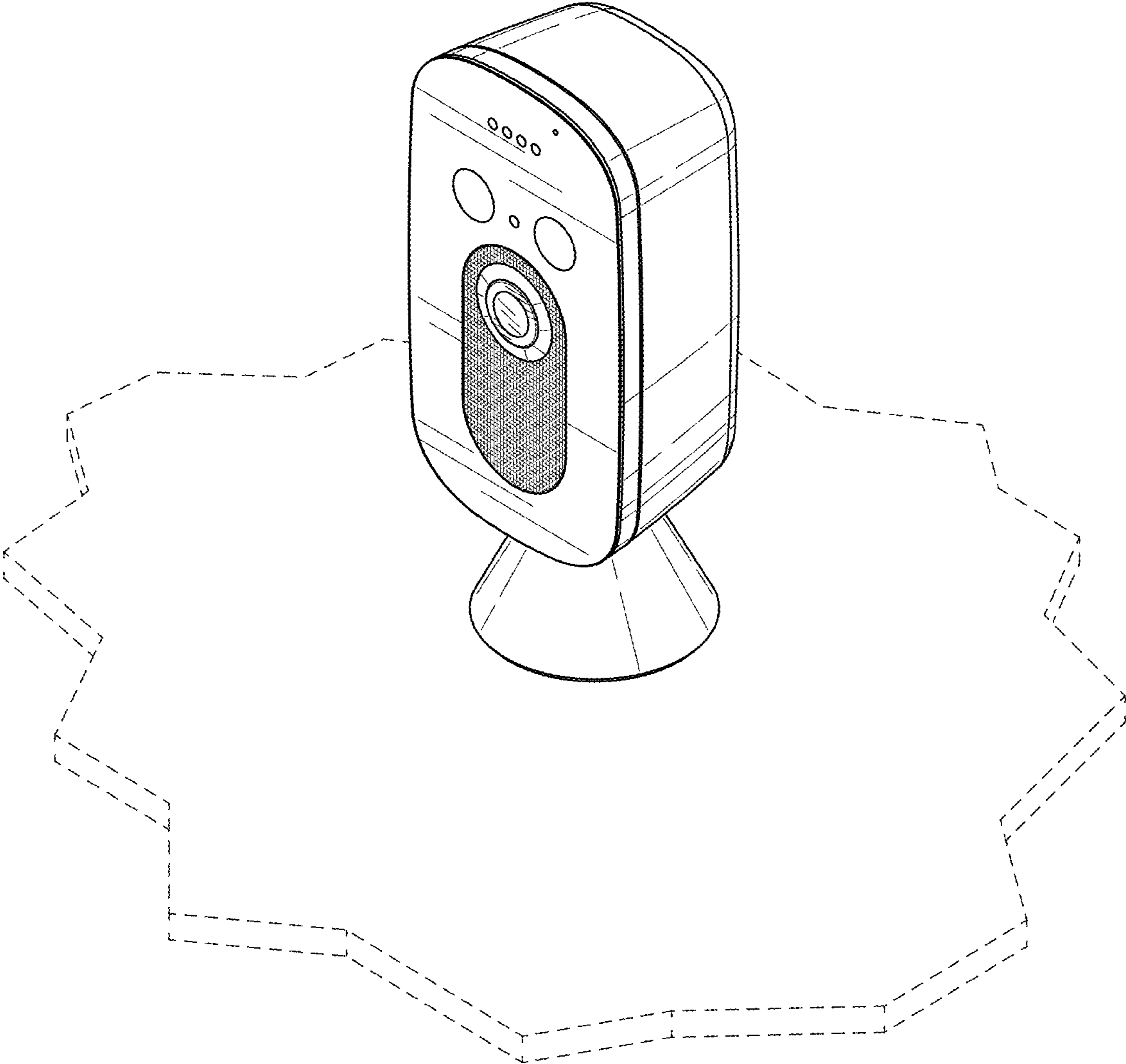


FIG. 2

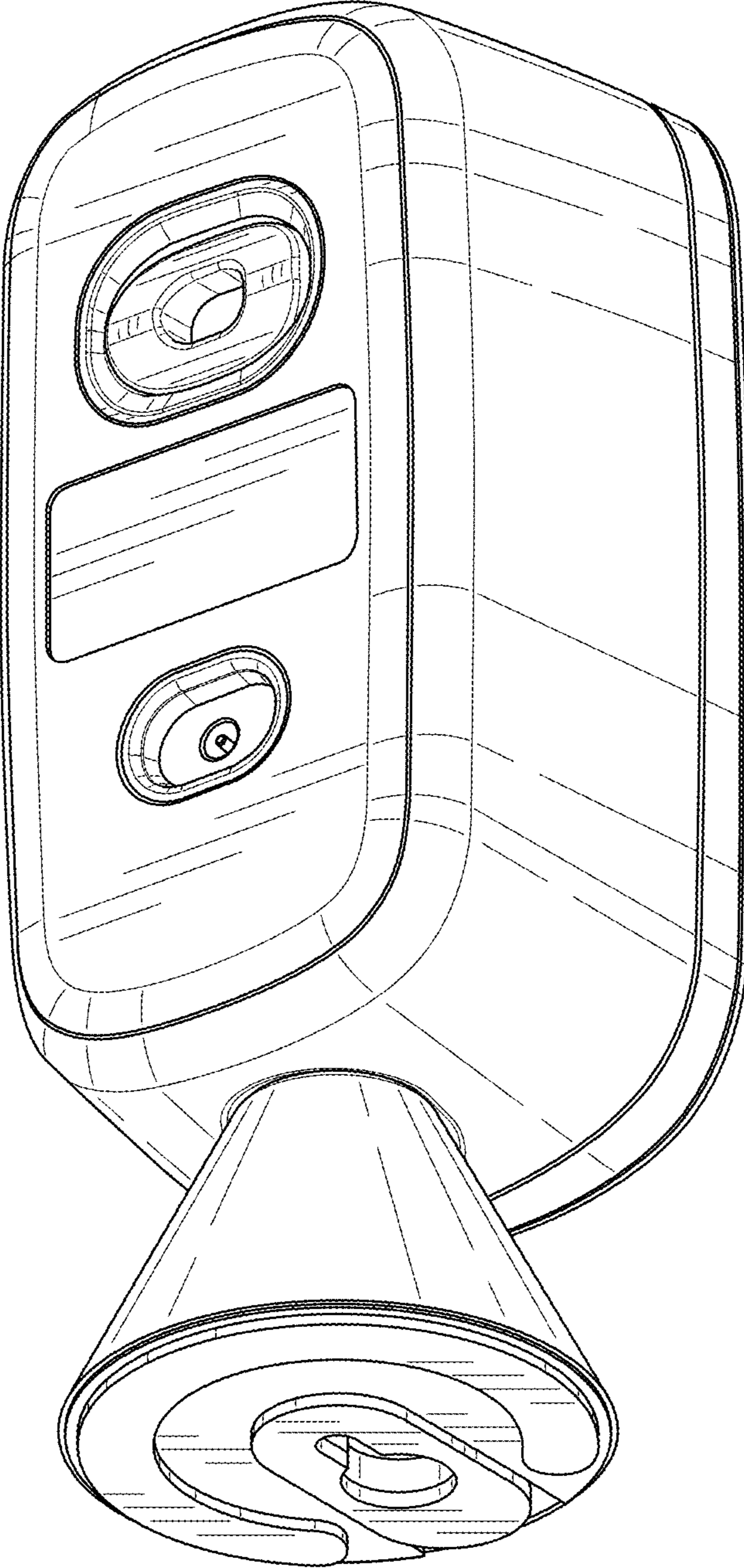


FIG. 3

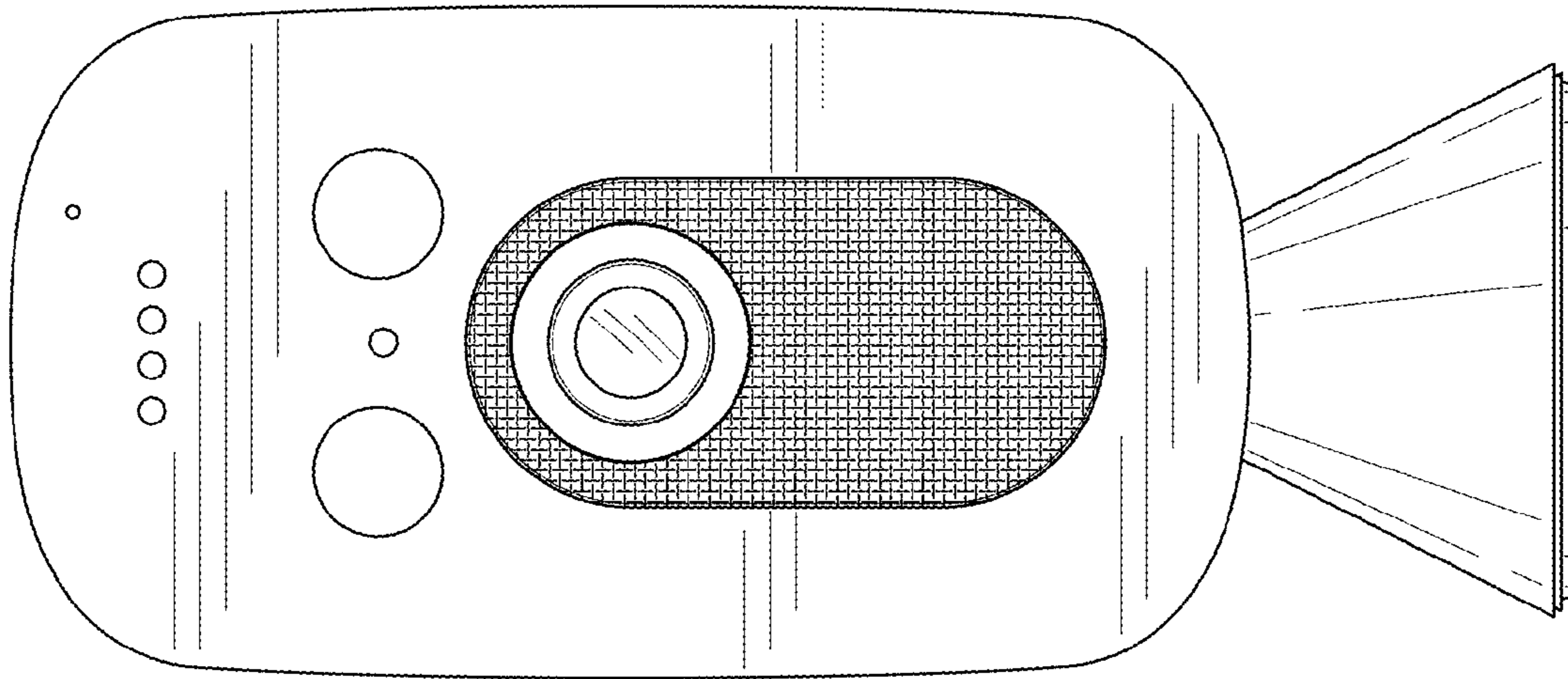


FIG. 5

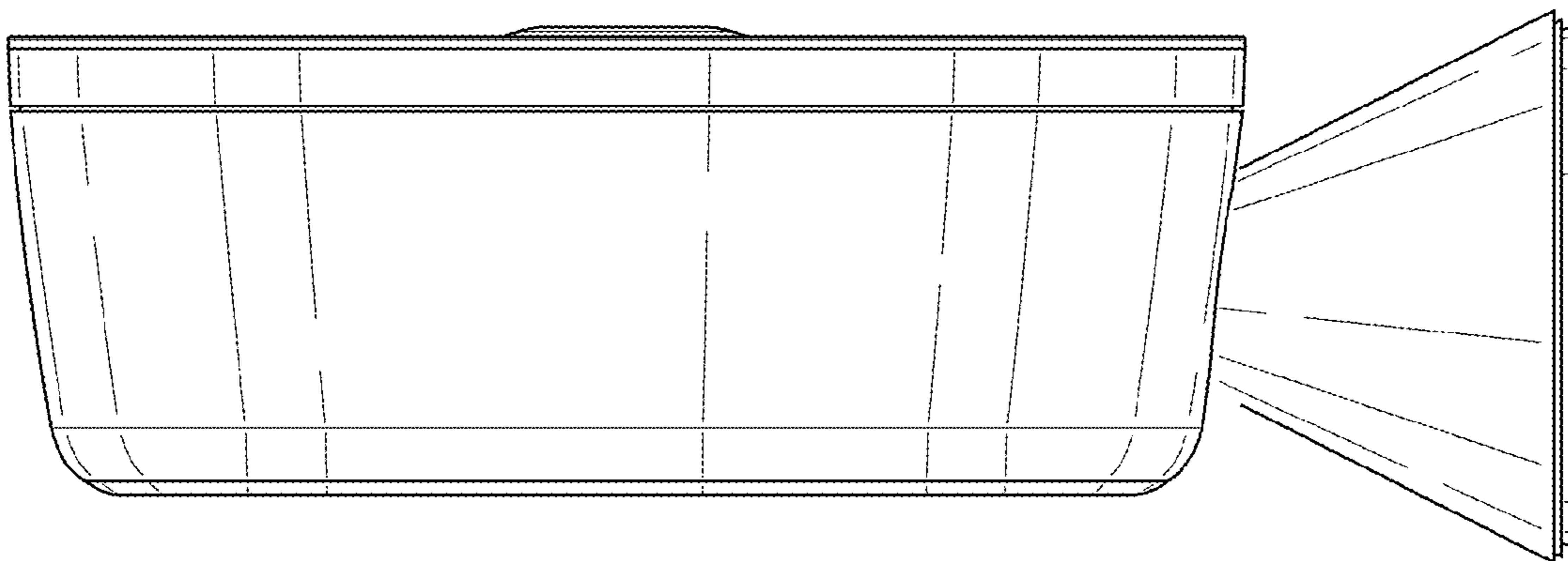


FIG. 4

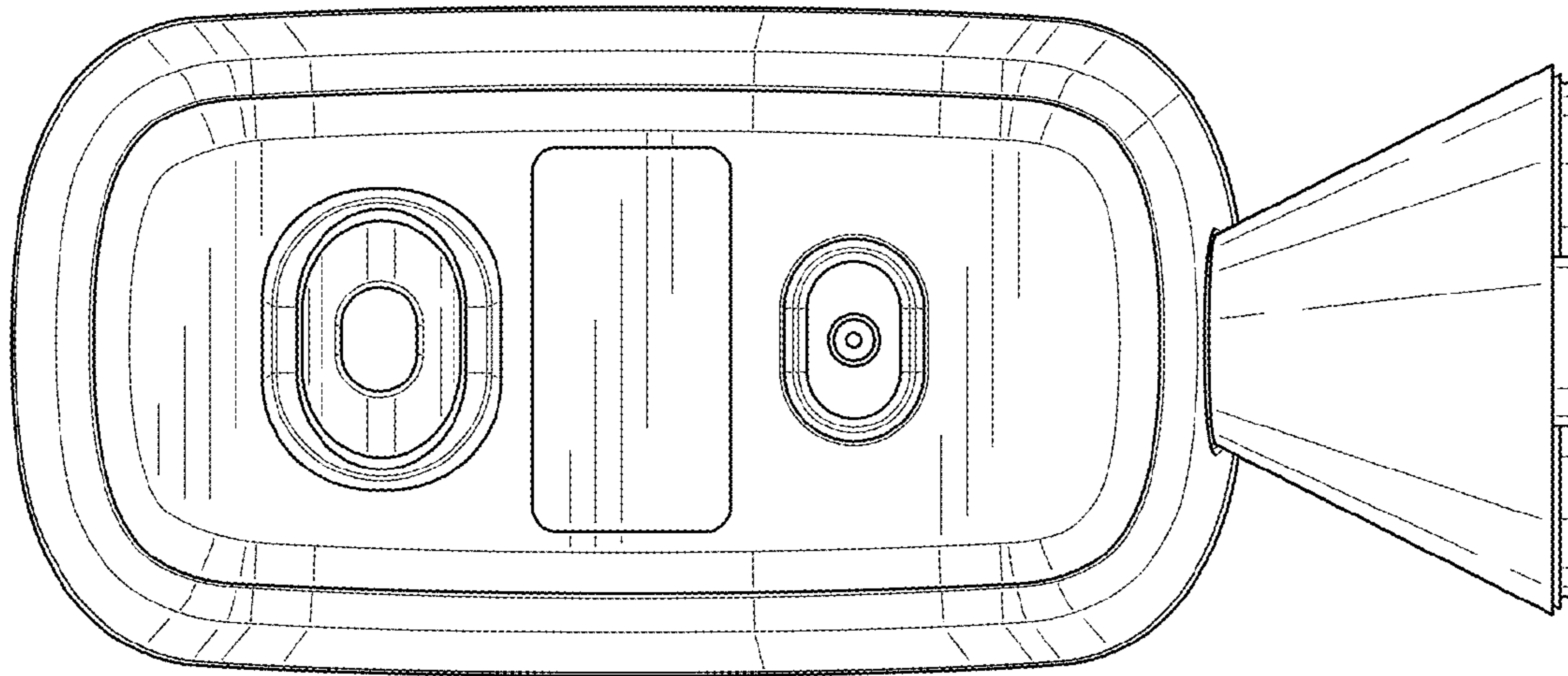


FIG. 7

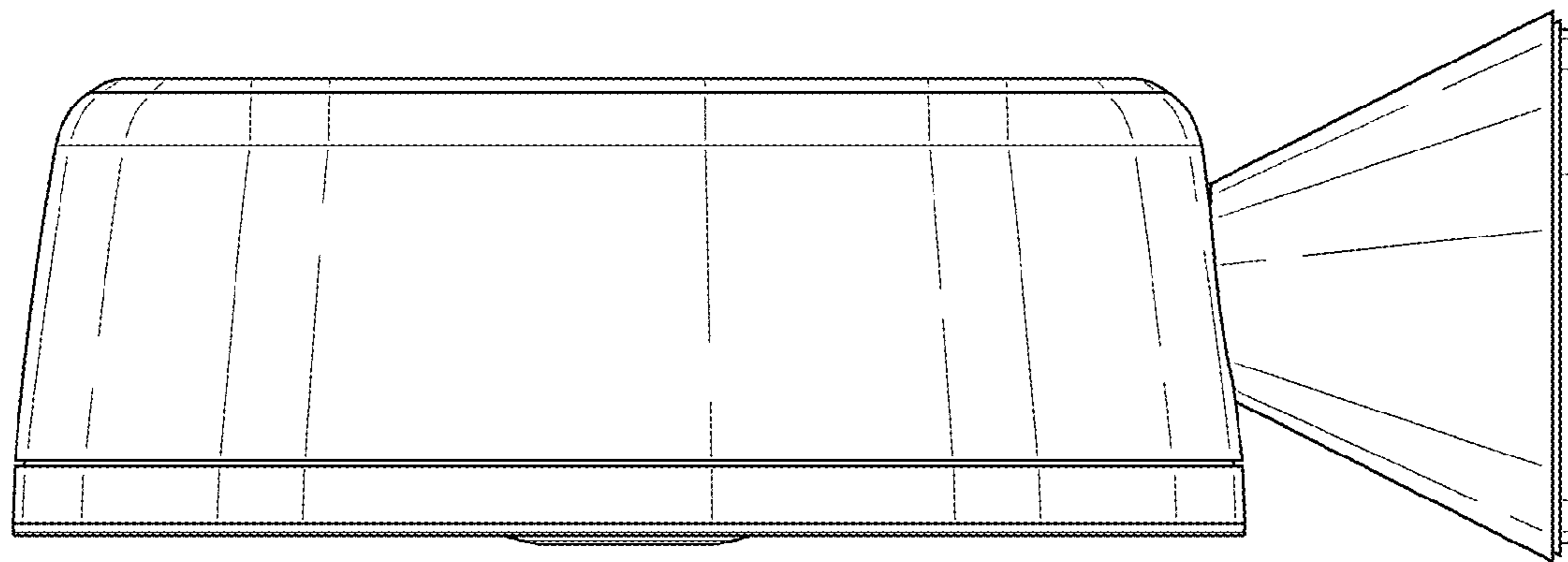


FIG. 6

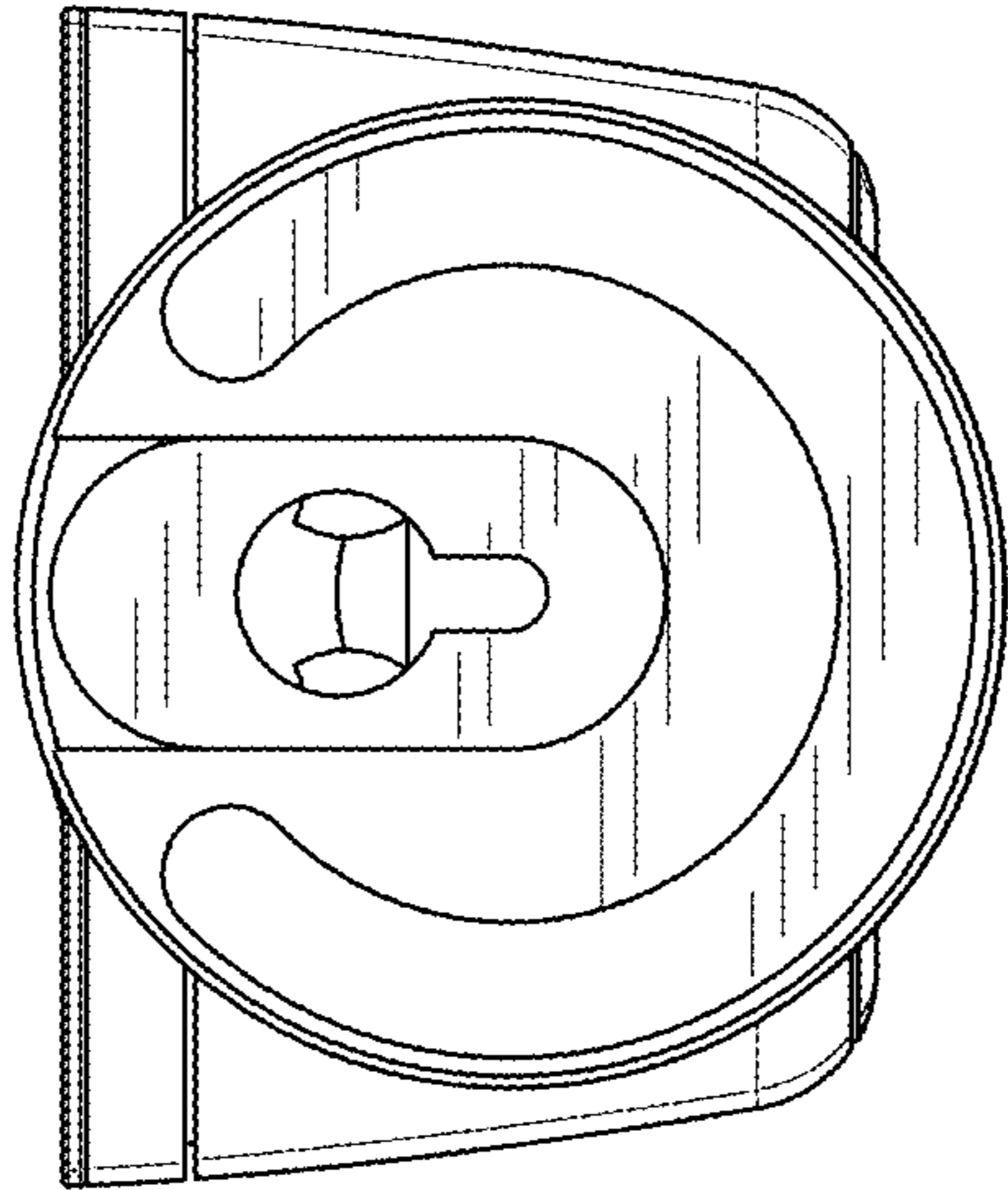


FIG. 9

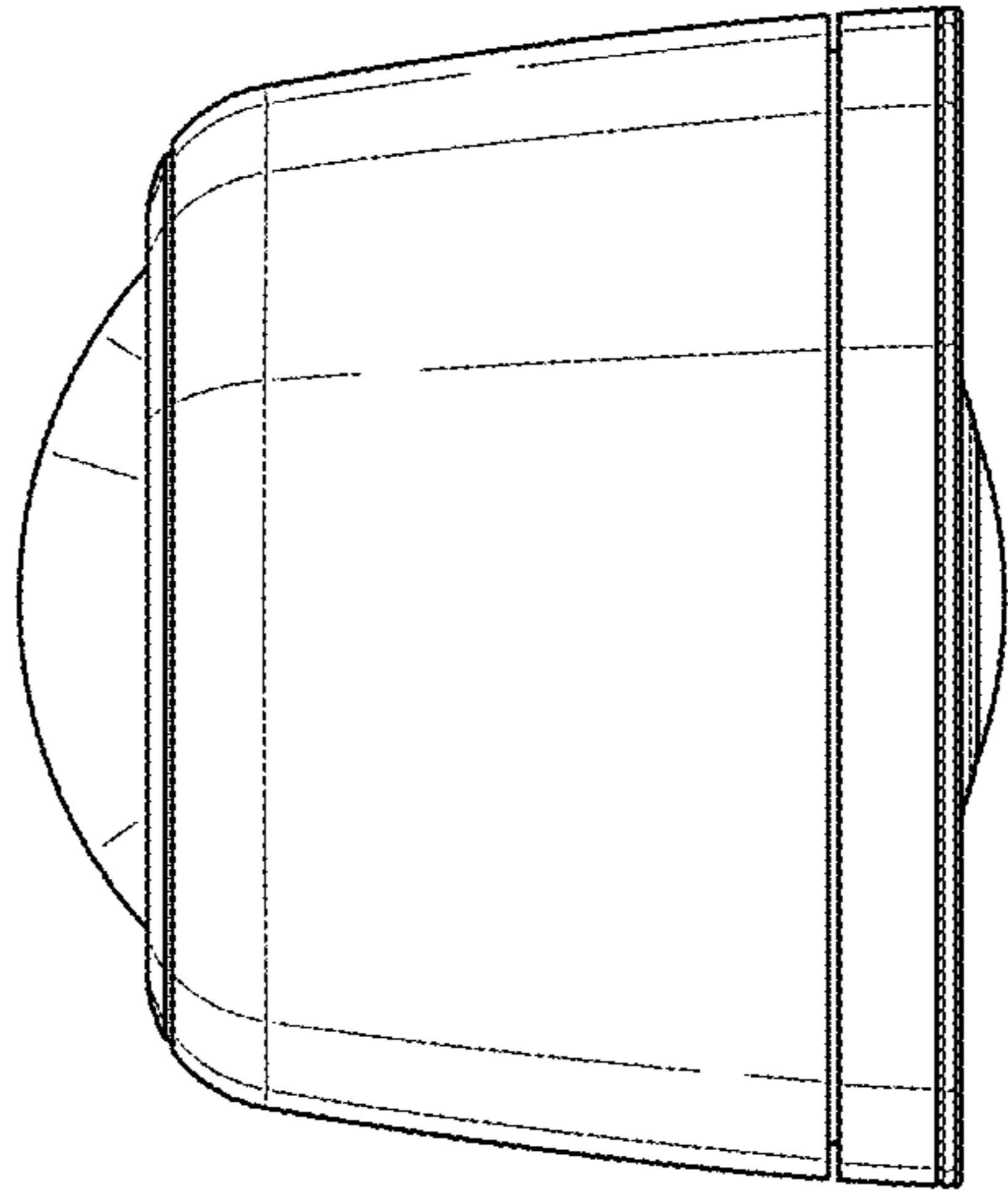


FIG. 8

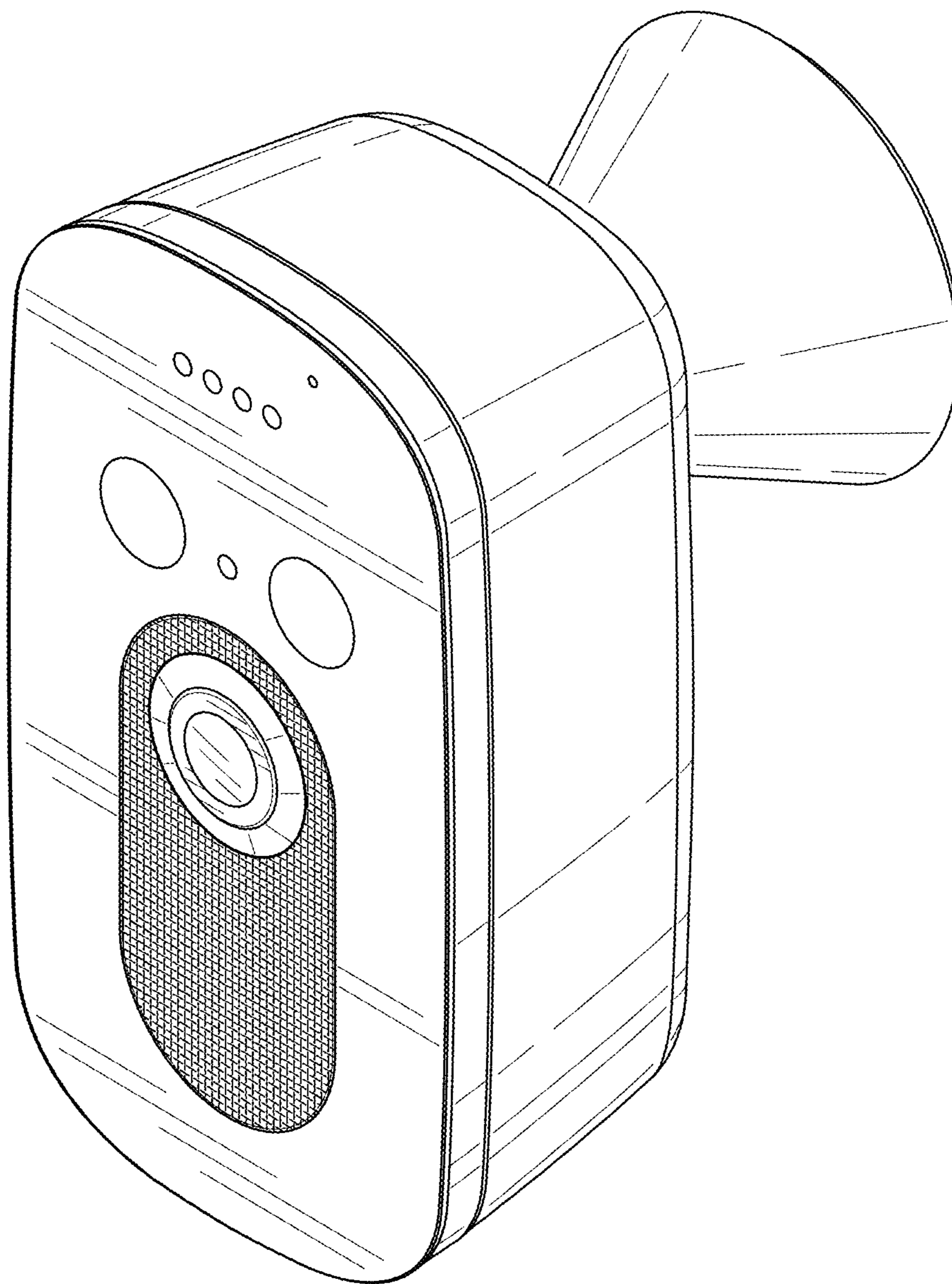


FIG. 10



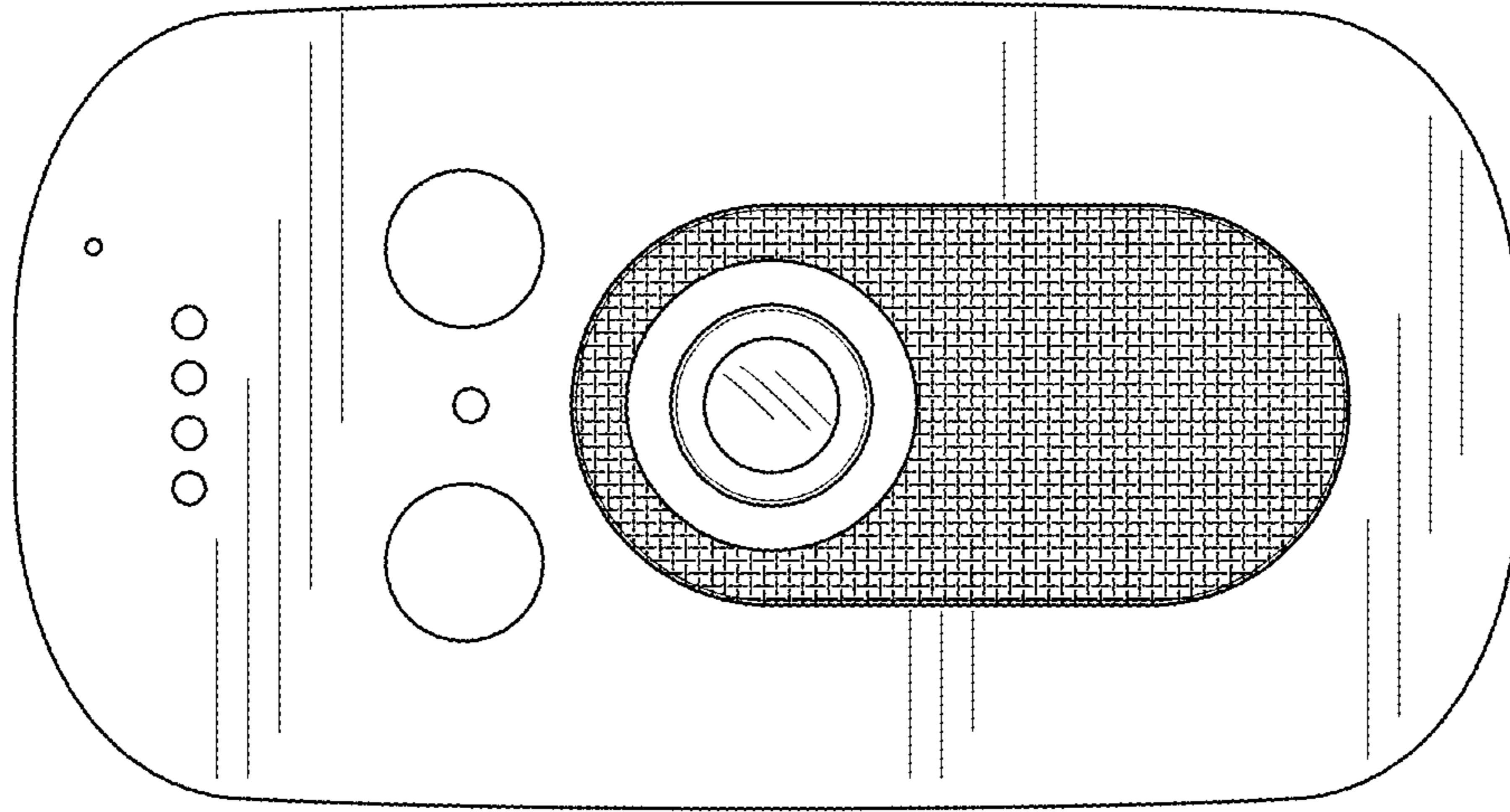


FIG. 12

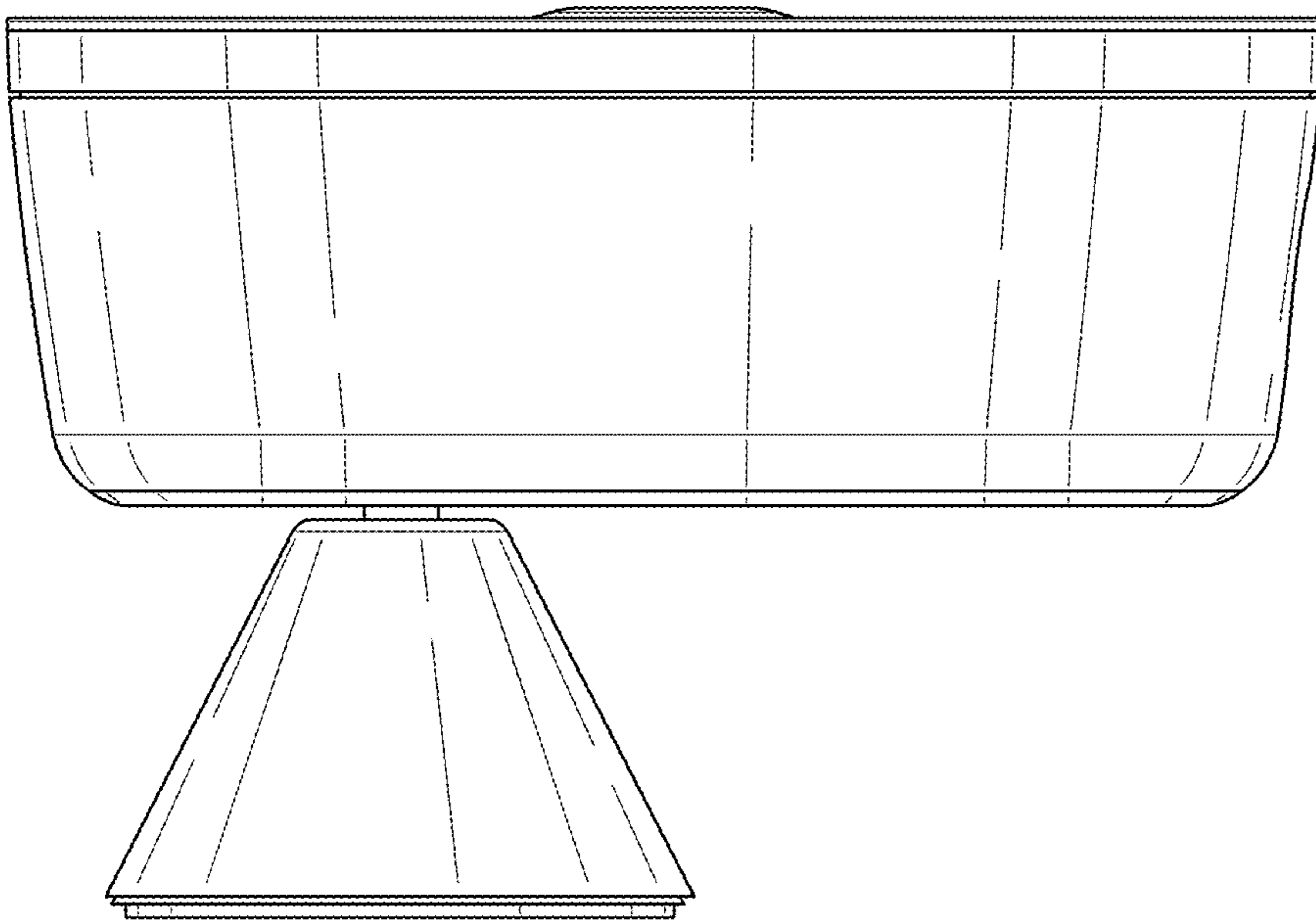


FIG. 11

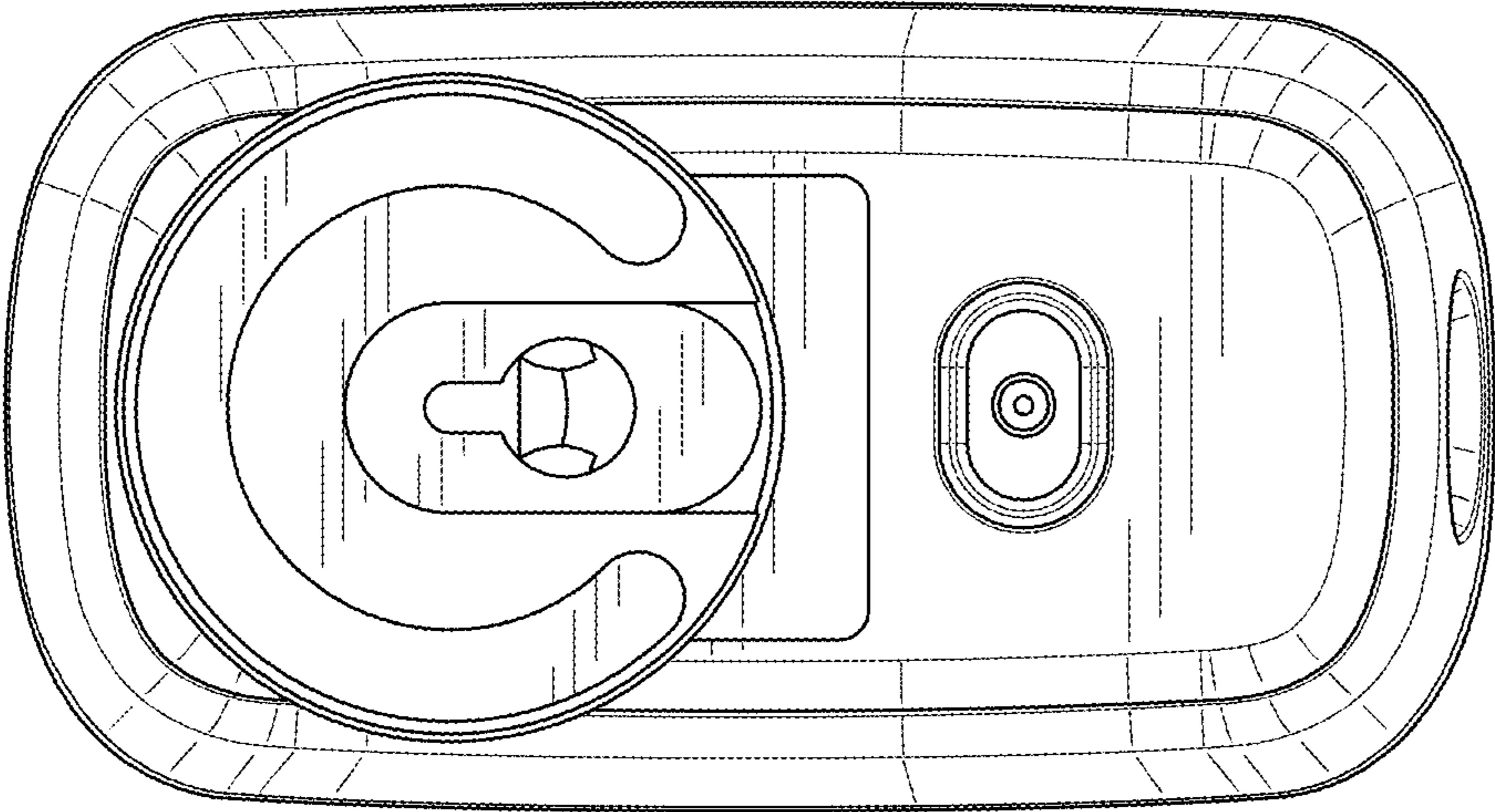


FIG. 14

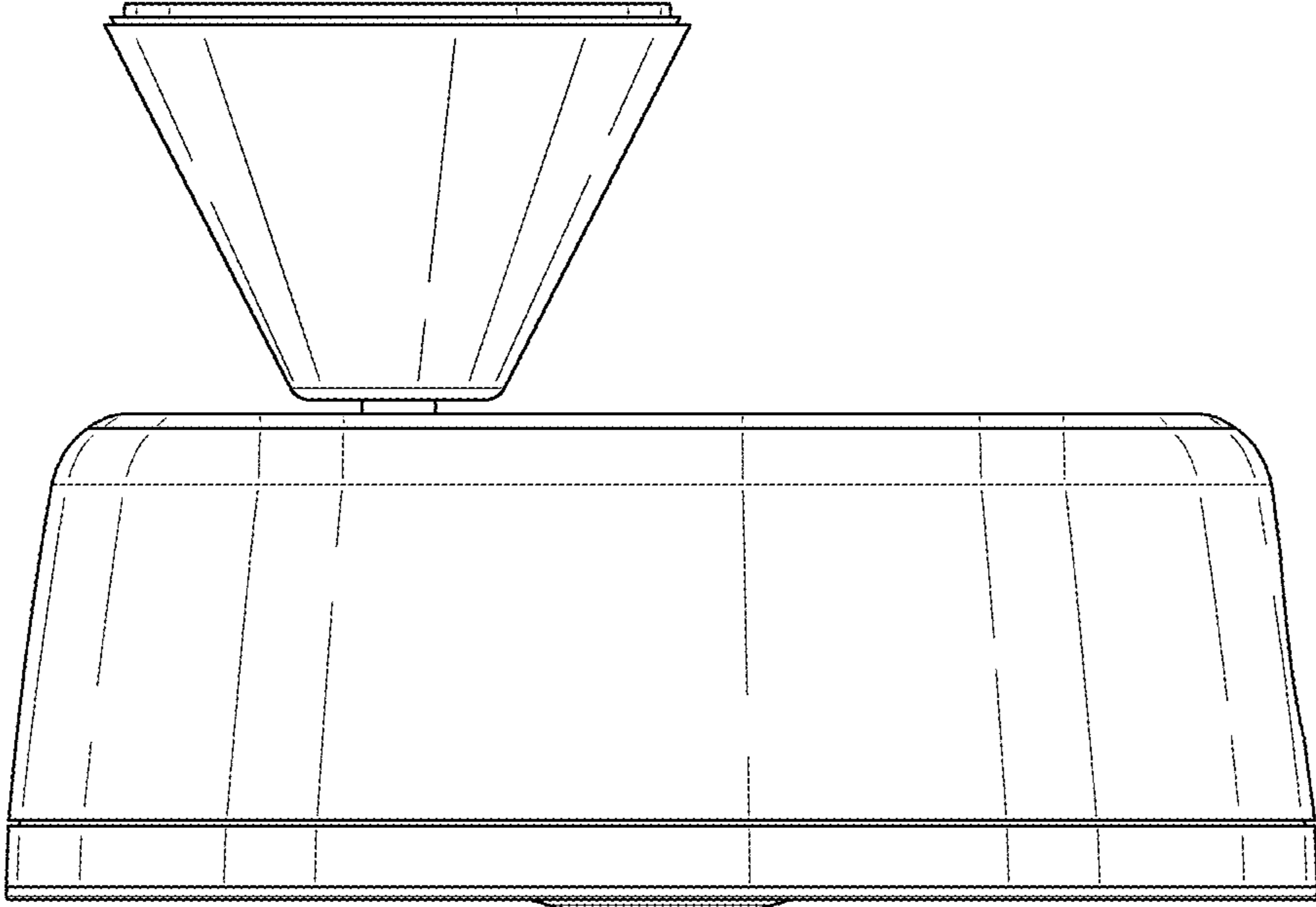


FIG. 13

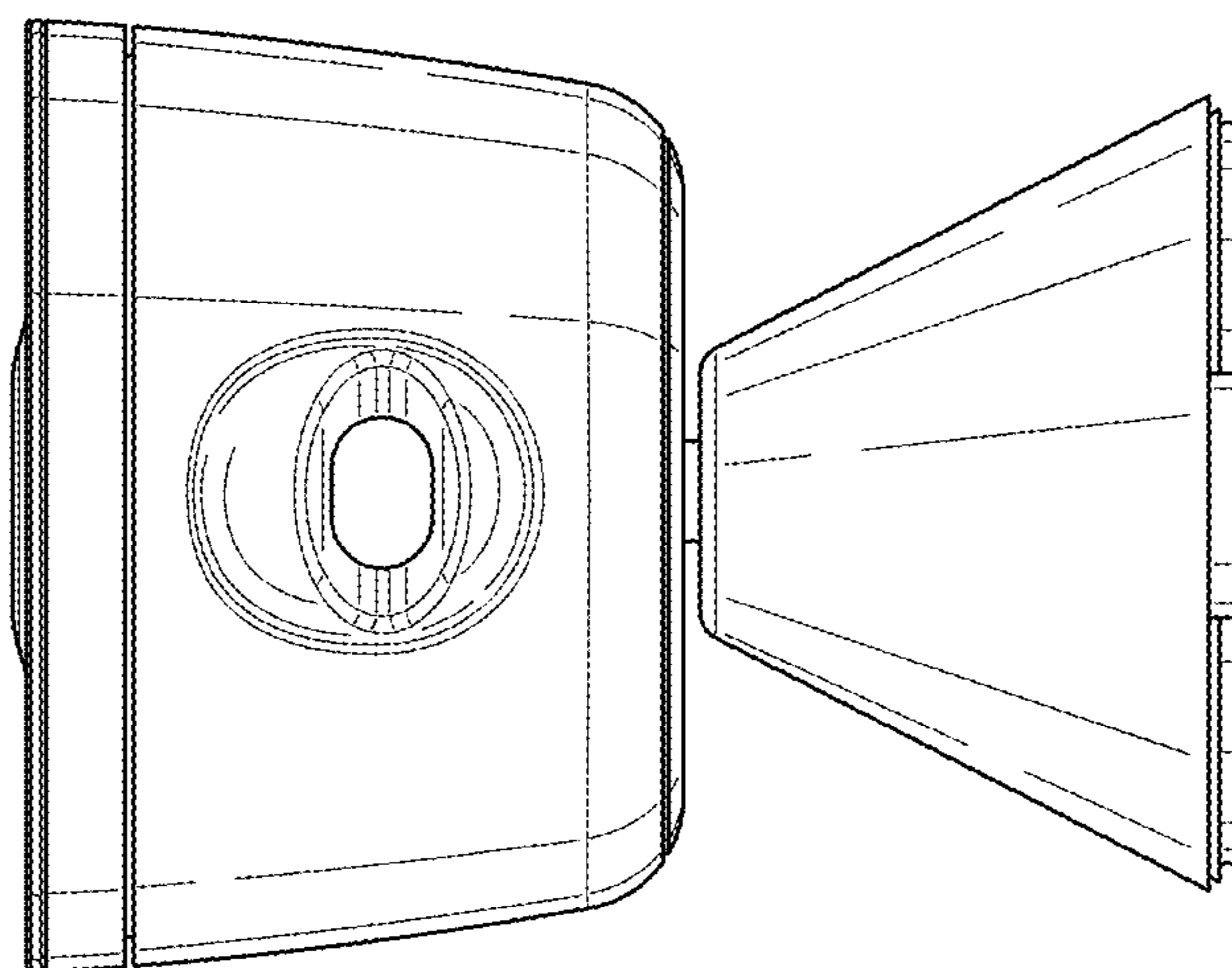


FIG. 16

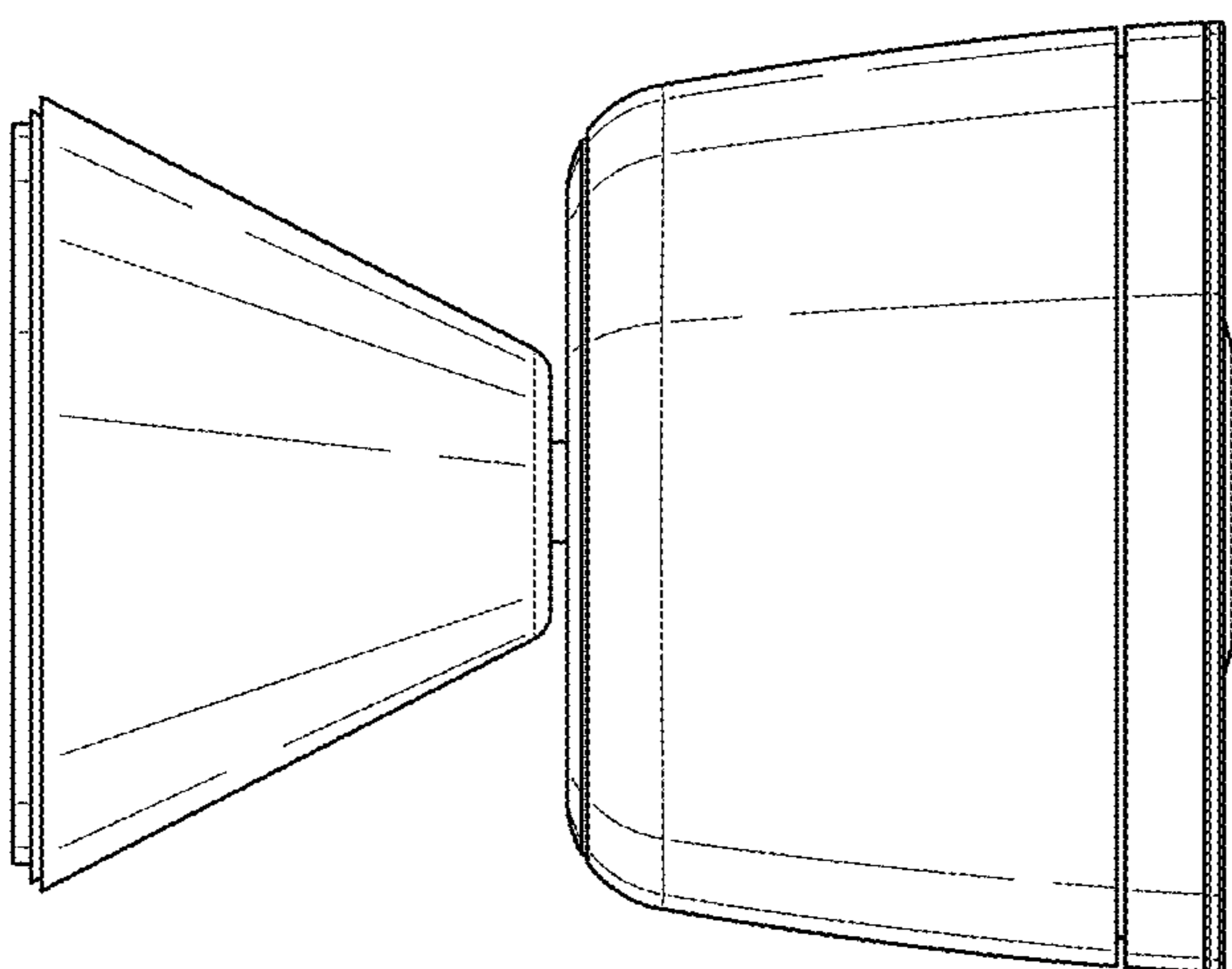


FIG. 15

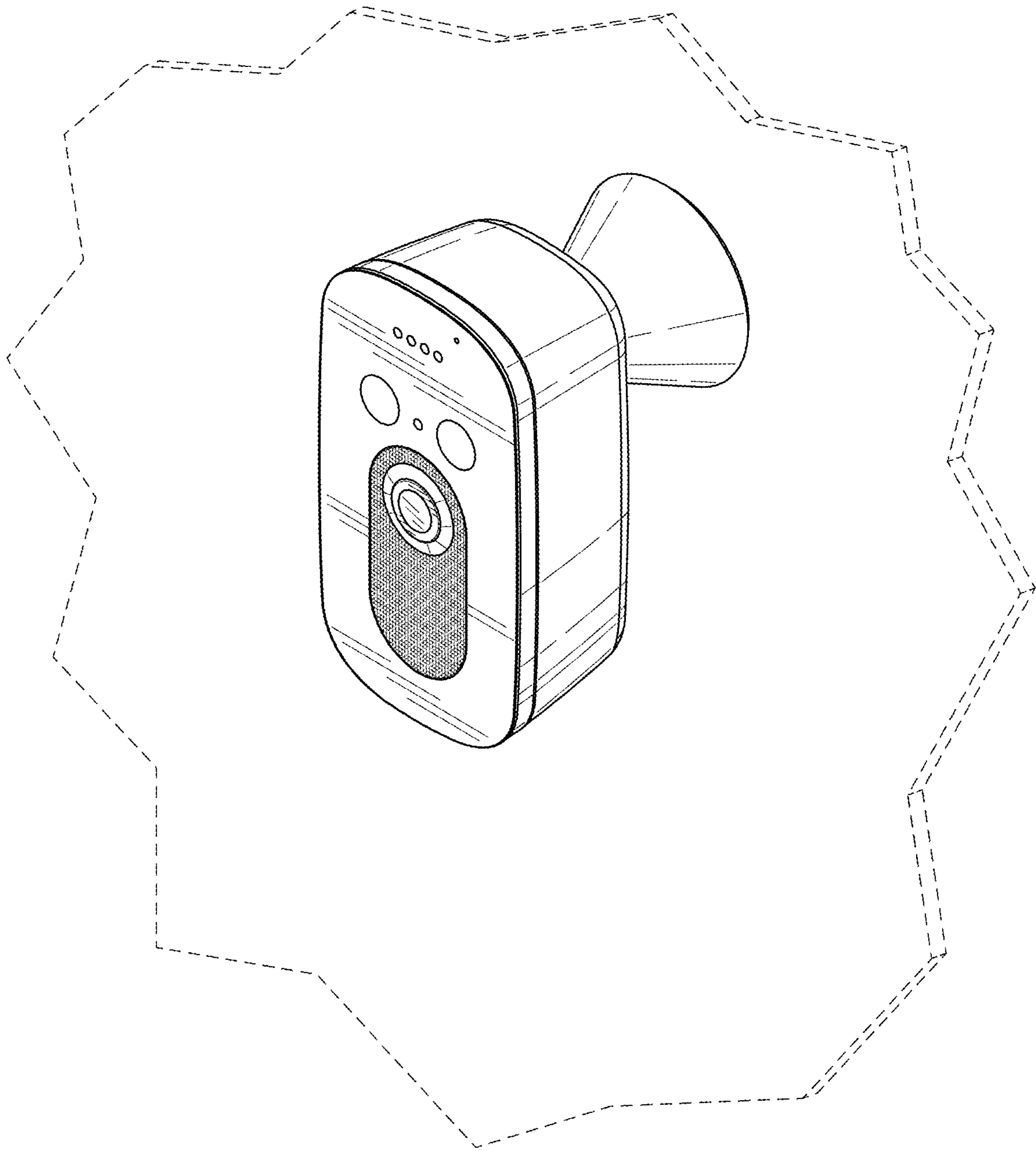


FIG. 17