



US00D907093S

(12) **United States Design Patent**
Hung et al.

(10) **Patent No.:** **US D907,093 S**
(45) **Date of Patent:** **** Jan. 5, 2021**

(54) **ELECTRONIC CAMERA**

(71) Applicant: **Canon Electronic Business Machines (H.K.) Co. Ltd.**, Kwai Chung (HK)

(72) Inventors: **Hoi Rex Hung**, Hong Kong Special Administrative Region (HK); **Ka Lap Ronald Chan**, Hong Kong Special Administrative Region (HK); **Chi Tat Leung**, Hong Kong Special Administrative Region (HK)

(73) Assignee: **Canon Electronic Business Machines (H.K.) Co., Ltd.**, Kwai Chung (HK)

(**) Term: **15 Years**

(21) Appl. No.: **29/741,224**

(22) Filed: **Jul. 10, 2020**

Related U.S. Application Data

(62) Division of application No. 29/680,917, filed on Feb. 21, 2019.

(30) **Foreign Application Priority Data**

Sep. 21, 2018 (JP) 2018-020650

(51) **LOC (13) Cl.** **16-01**

(52) **U.S. Cl.**
USPC **D16/202**

(58) **Field of Classification Search**
USPC D16/200, 202-206, 208-209, 212, 218, D16/219; 348/373-376; 396/448, 535, 396/539-541
CPC G03B 15/03; G03B 17/02; G03B 17/04; G03B 17/56; G03B 19/04; H04N 5/2251; H04N 5/2252; H04N 5/2253; H04N 5/2254; H04N 2101/00

See application file for complete search history.

(56) **References Cited**

U.S. PATENT DOCUMENTS

D657,408 S	4/2012	Tainaka	
D668,281 S	10/2012	Nakamura	
D683,781 S	6/2013	Imai	
D684,204 S	6/2013	Uemachi	
D689,535 S	9/2013	Nojima	
D695,329 S	12/2013	Fujita et al.	
D695,805 S	12/2013	Sakai	
D702,748 S	4/2014	Muraki et al.	
D707,742 S	6/2014	Imamizu	
D717,353 S	11/2014	Kobayashi et al.	
D794,105 S *	8/2017	Liu	D16/202
D796,565 S *	9/2017	Lagerstedt	D16/202
D813,922 S *	3/2018	Kamei	D16/202
D816,754 S *	5/2018	Osada	D16/202
D829,798 S	10/2018	Lagerstedt	
D829,799 S	10/2018	Piekarski et al.	
D838,303 S *	1/2019	Brunner	D16/202
D849,083 S *	5/2019	Dwyer, Jr.	D16/202
D852,255 S *	6/2019	Guo	D16/202

(Continued)

Primary Examiner — Ramzi S Almatrahi

(74) *Attorney, Agent, or Firm* — Venable LLP

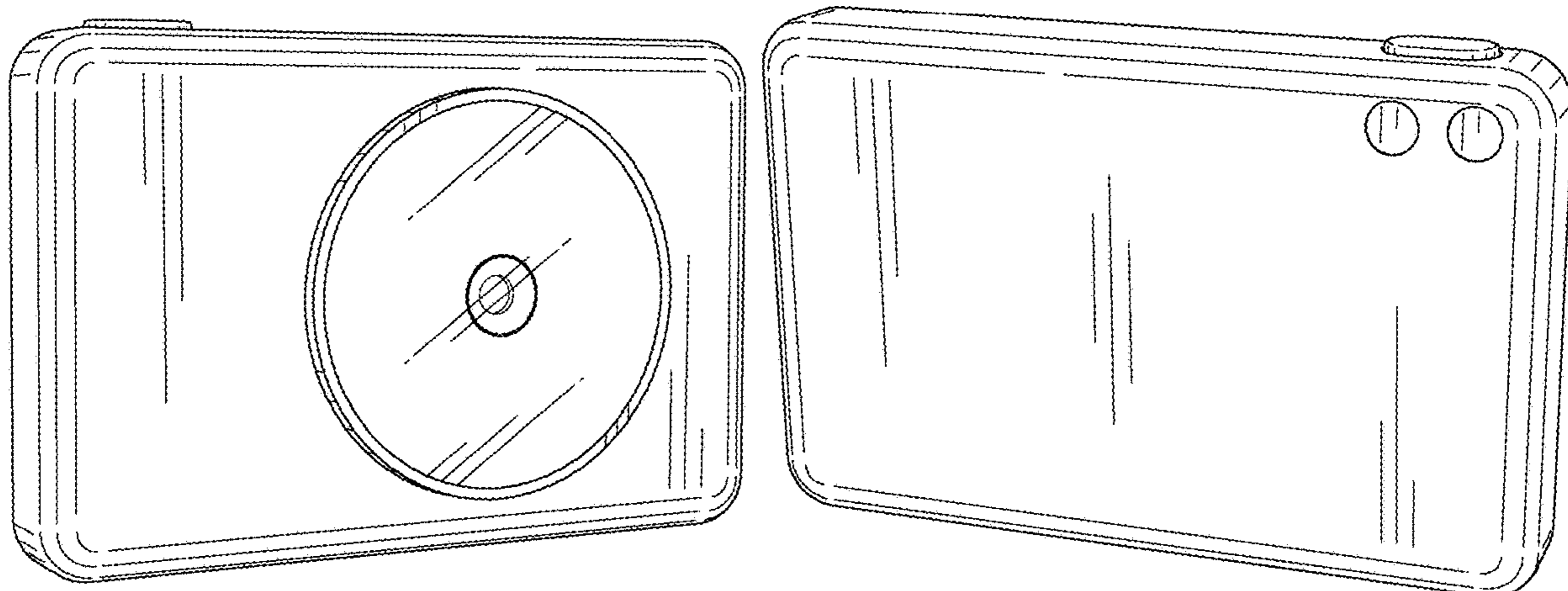
(57) **CLAIM**

The ornamental design for an electronic camera, as shown and described.

DESCRIPTION

FIG. 1 is a front view of an electronic camera showing our new design;
FIG. 2 is a rear view thereof;
FIG. 3 is a top plan view thereof;
FIG. 4 is a bottom plan view thereof;
FIG. 5 is a left side view thereof;
FIG. 6 is a right side view thereof;
FIG. 7 is a front perspective view thereof; and,
FIG. 8 is a rear perspective view thereof.

1 Claim, 4 Drawing Sheets



(56)

References Cited

U.S. PATENT DOCUMENTS

D852,867 S	*	7/2019	Chang	D16/202
D854,597 S	*	7/2019	Gao	D16/202
D861,510 S	*	10/2019	Wang	D10/65
D865,835 S	*	11/2019	Fidler	D16/202
D888,127 S	*	6/2020	Lee	D16/203
D894,251 S	*	8/2020	Saito	D16/202
2011/0109790 A1		5/2011	Shinohara et al.	

* cited by examiner

Fig. 1

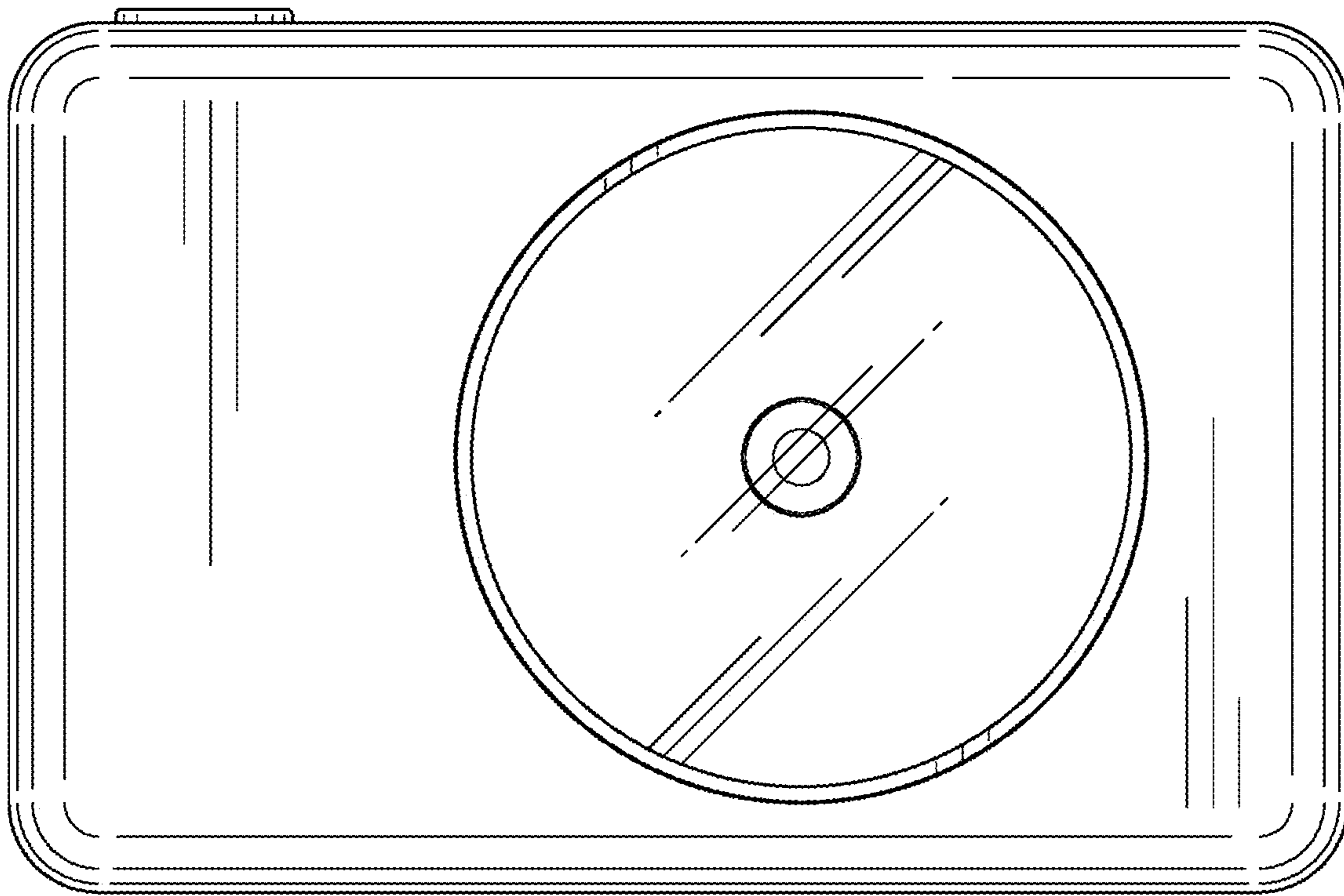


Fig. 2

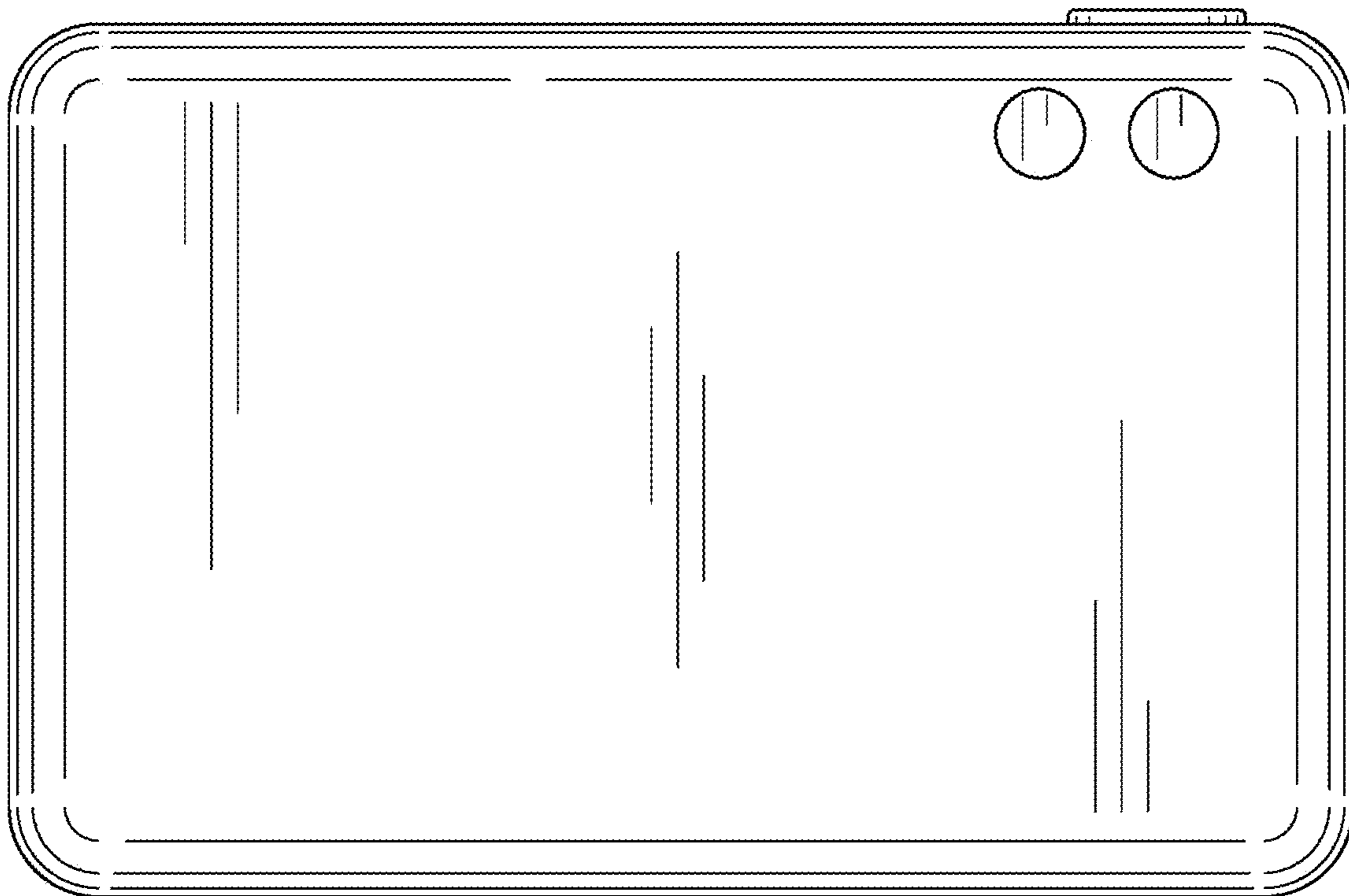


Fig. 3

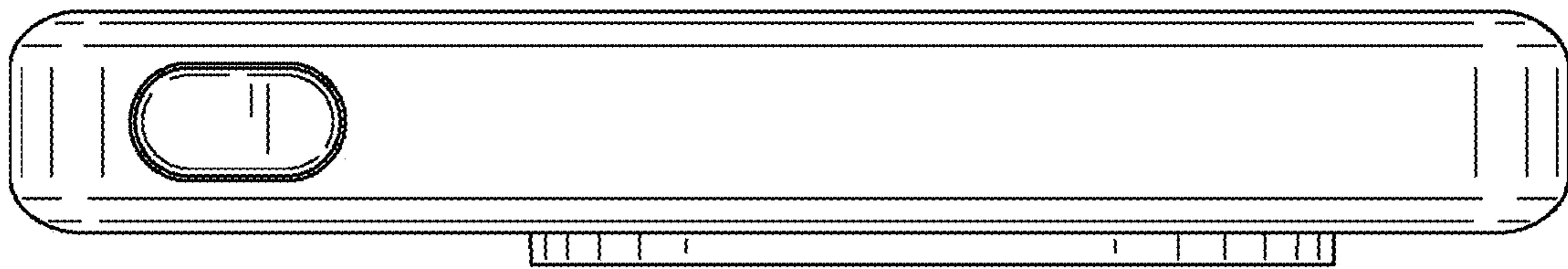


Fig. 4

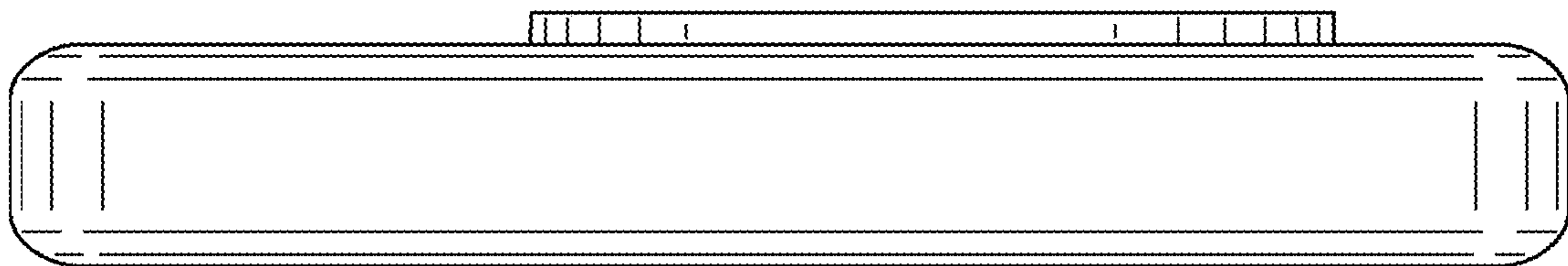


Fig. 5

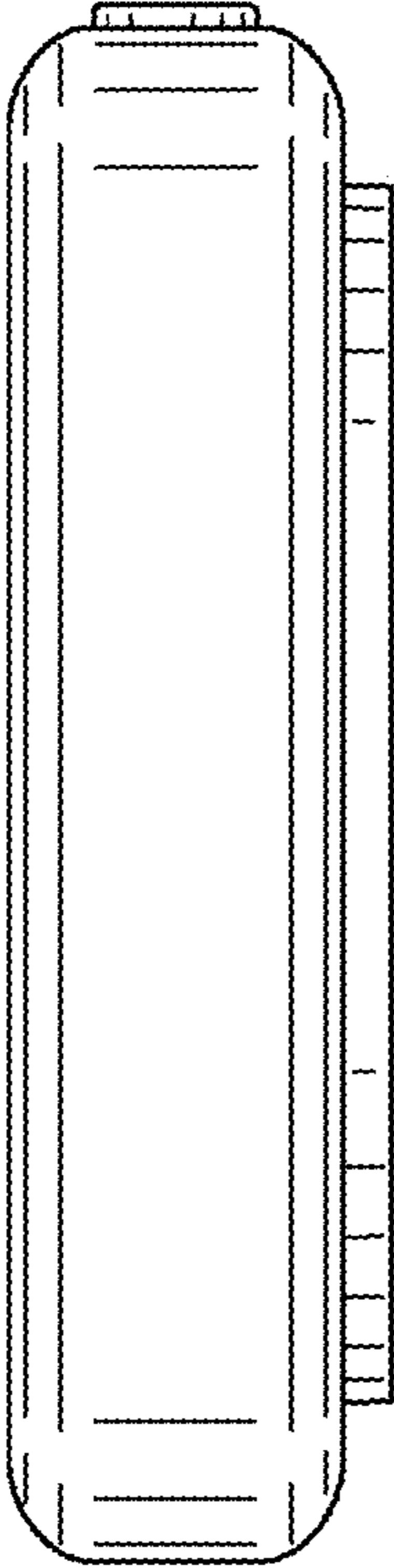


Fig. 6

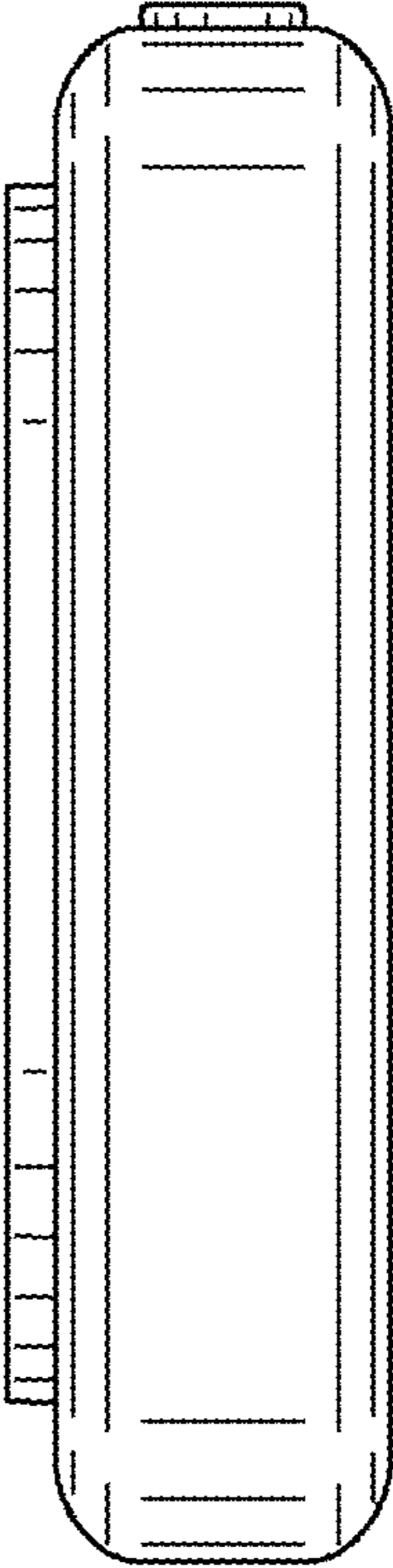


Fig. 7

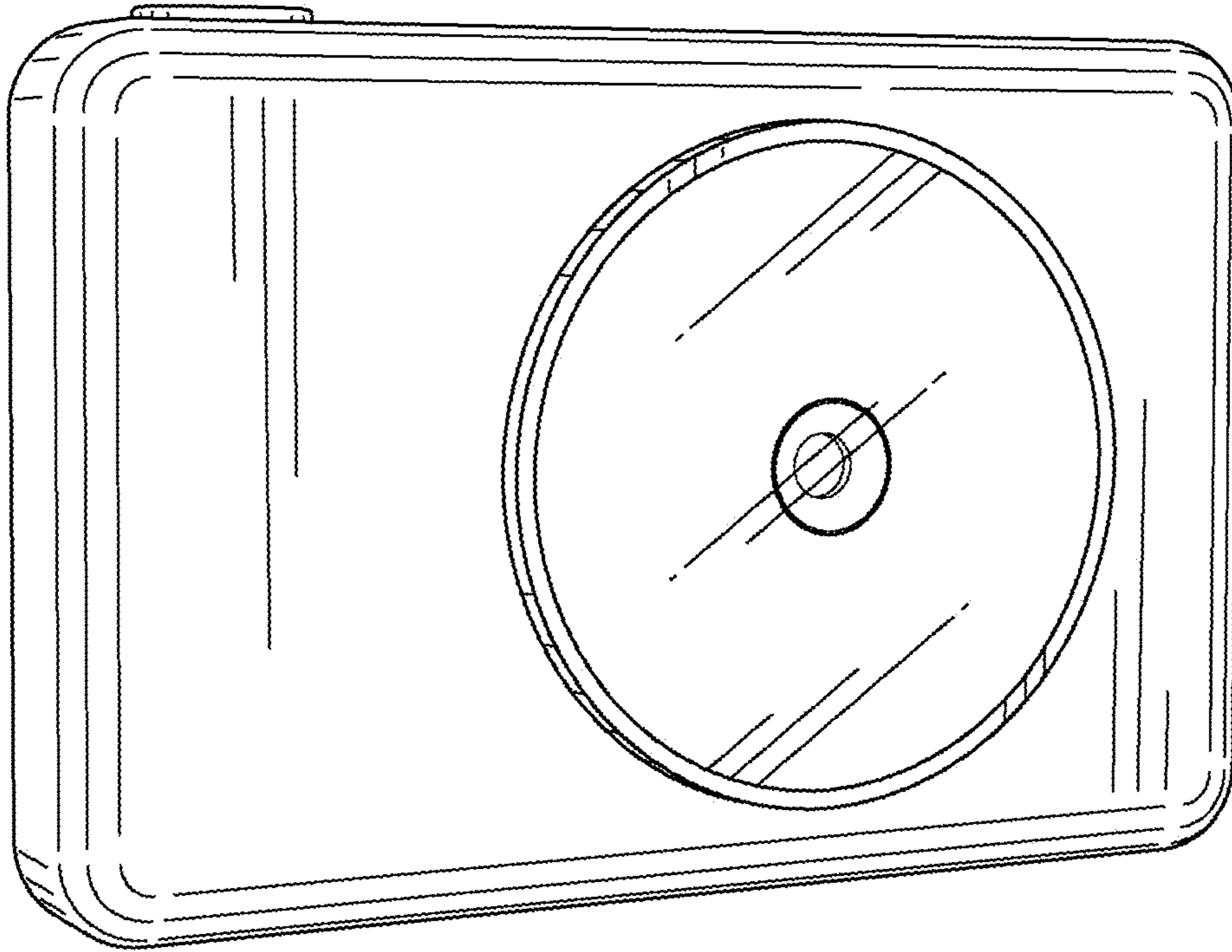


Fig. 8

