



US00D907092S

(12) **United States Design Patent**  
**Ge**

(10) **Patent No.:** **US D907,092 S**

(45) **Date of Patent:** **\*\* Jan. 5, 2021**

(54) **DIGITAL CAMERA FOR CHILDREN**

(71) Applicant: **Shenzhen Delanda Science & Technology Co., Ltd.**, Guangdong (CN)

(72) Inventor: **Weiyun Ge**, Guangdong (CN)

(\*\*) Term: **15 Years**

(21) Appl. No.: **29/721,003**

(22) Filed: **Jan. 17, 2020**

(30) **Foreign Application Priority Data**

Oct. 16, 2019 (CN) ..... 2019 3 0564567

(51) **LOC (13) Cl.** ..... **16-01**

(52) **U.S. Cl.**  
USPC ..... **D16/202**

(58) **Field of Classification Search**  
USPC ..... D16/200, 202–206, 208, 218, 219;  
D21/514; 348/373–376; 396/535,  
396/539–541

CPC ..... G03B 15/03; G03B 17/02; G03B 17/04;  
G03B 17/56; G03B 19/04; H04N 5/2251;  
H04N 5/2252; H04N 5/2253; H04N  
5/2254; H04N 2101/00

See application file for complete search history.

(56) **References Cited**

**U.S. PATENT DOCUMENTS**

D524,839 S \* 7/2006 Wen ..... D16/202  
D609,732 S \* 2/2010 Frank ..... D16/203

D626,984 S \* 11/2010 Miyaji ..... D16/203  
8,695,258 B2 \* 4/2014 Kori ..... G09F 7/06  
40/663  
D704,240 S \* 5/2014 McBride ..... D16/203  
D748,712 S \* 2/2016 Tompkin ..... D16/218  
D813,290 S \* 3/2018 Song ..... D16/203  
D813,926 S \* 3/2018 Shin ..... D16/203  
D849,087 S \* 5/2019 Li ..... D16/202  
D867,425 S \* 11/2019 Shuai ..... D16/203  
D875,802 S \* 2/2020 Jin ..... D16/202  
D883,357 S \* 5/2020 Moon ..... D16/203  
D890,831 S \* 7/2020 Zheng ..... D16/203

\* cited by examiner

*Primary Examiner* — Ramzi S Almatrahi

(74) *Attorney, Agent, or Firm* — Prakash Nama; Global IP Services, PLLC

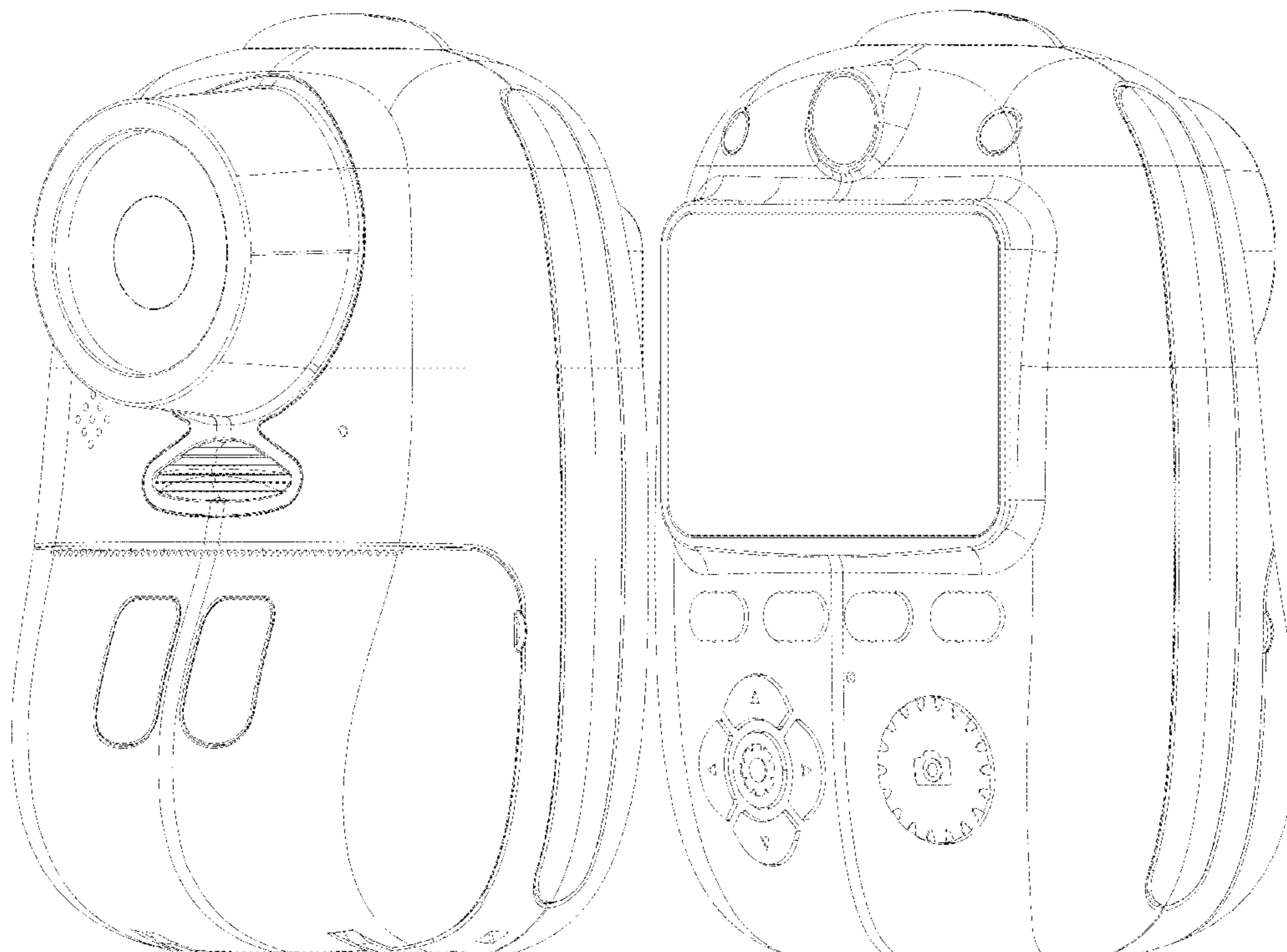
(57) **CLAIM**

The ornamental design for a digital camera for children, as shown.

**DESCRIPTION**

FIG. 1 is a front elevational view of a digital camera for children showing my new design;  
FIG. 2 is a rear elevational view thereof;  
FIG. 3 is a left side elevational view thereof;  
FIG. 4 is a right side elevational view thereof;  
FIG. 5 is a top plan view thereof;  
FIG. 6 is a bottom plan view thereof;  
FIG. 7 is a front and left side perspective view thereof;  
FIG. 8 is a front and right side perspective view thereof; and,  
FIG. 9 is a rear and left side perspective view thereof.

**1 Claim, 8 Drawing Sheets**



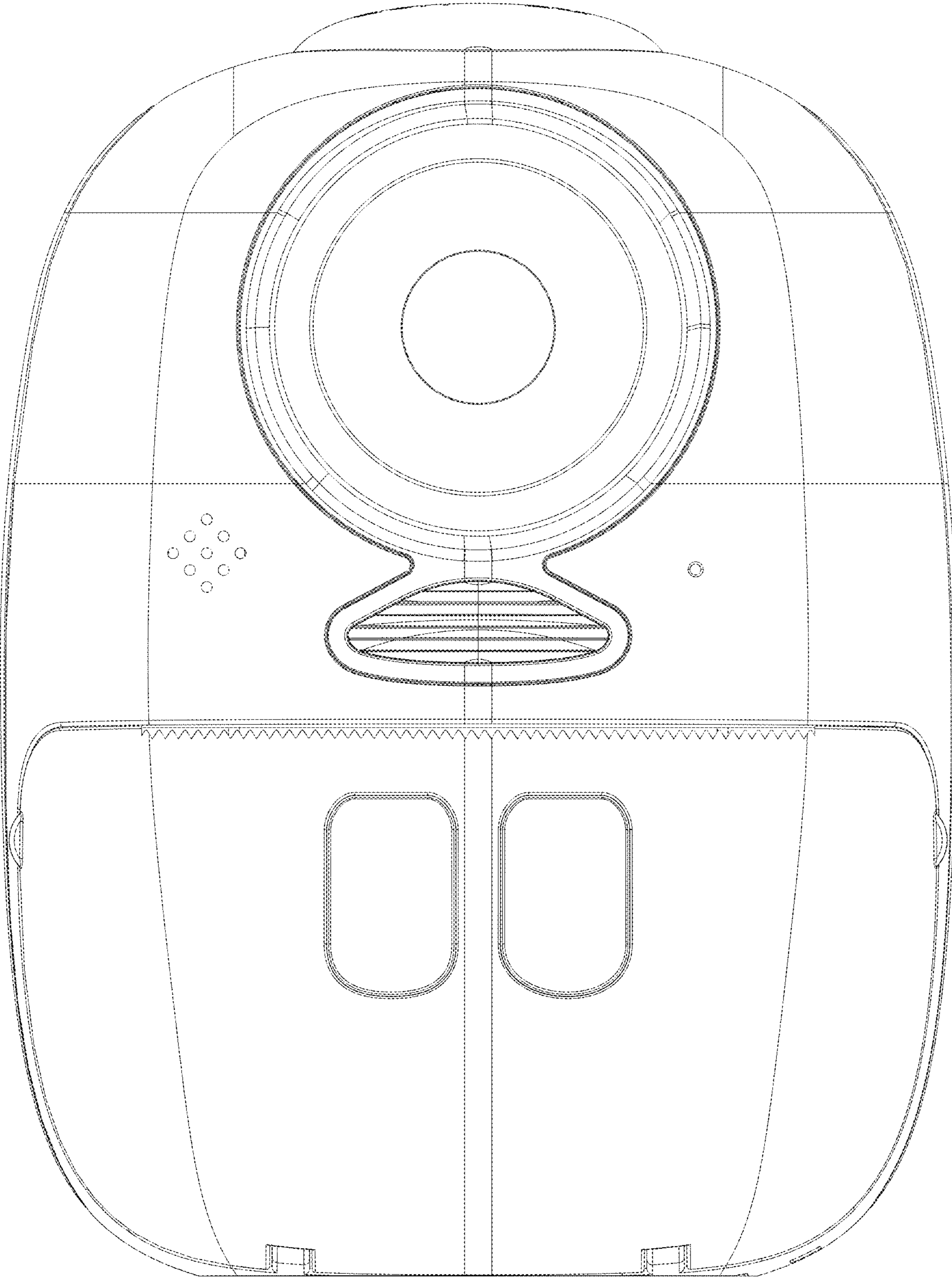


Fig. 1

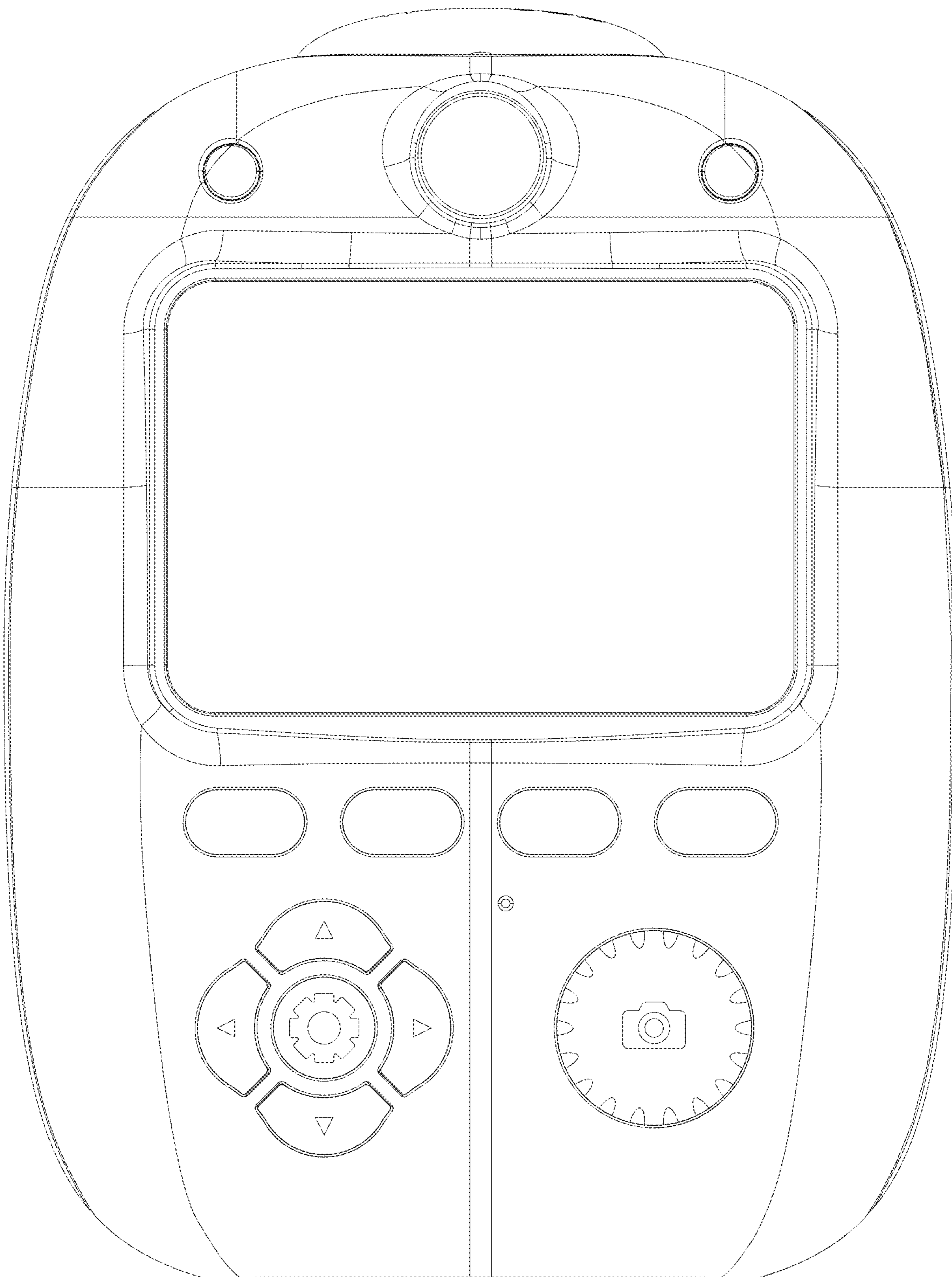


Fig. 2

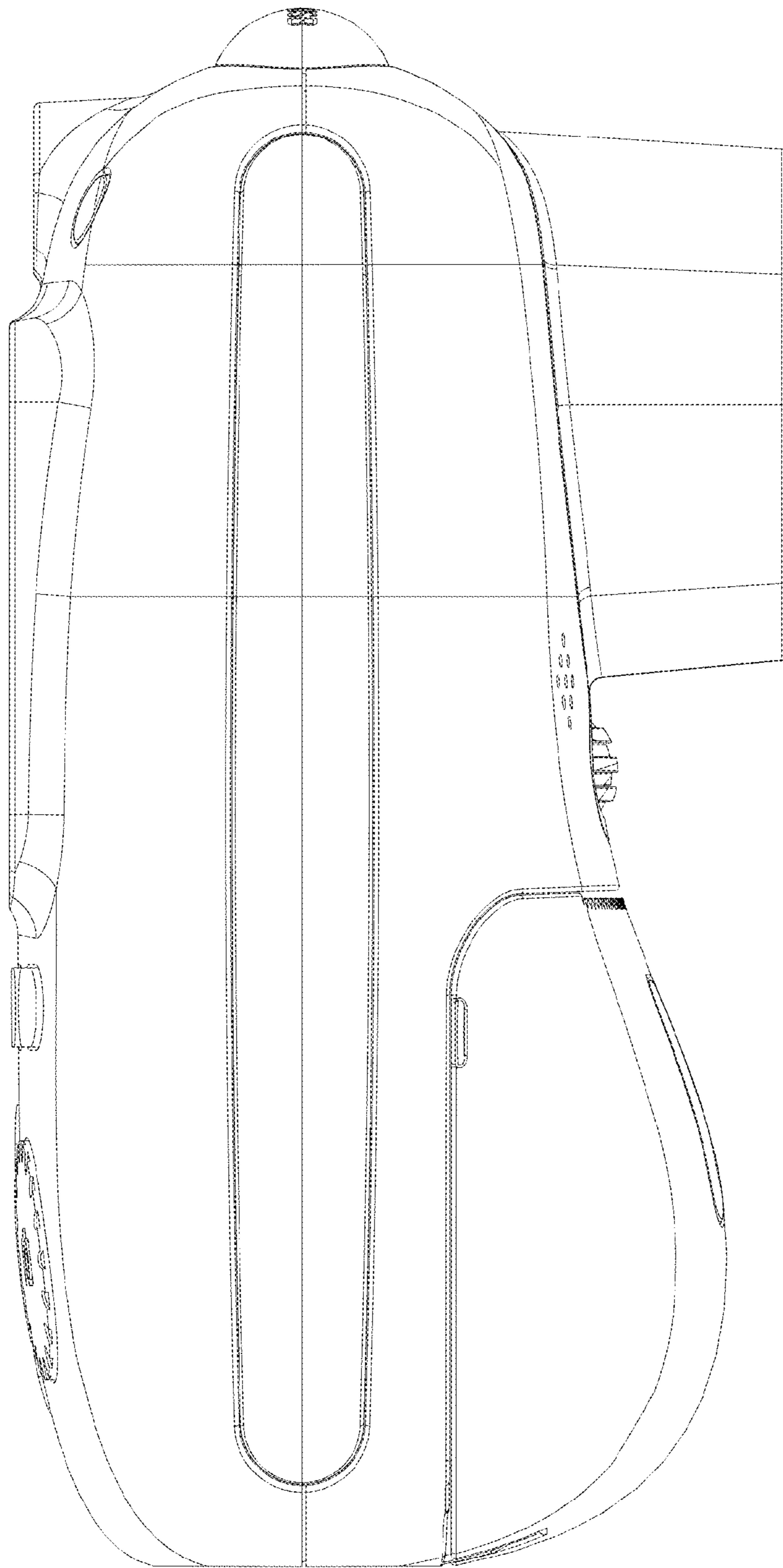


Fig. 3

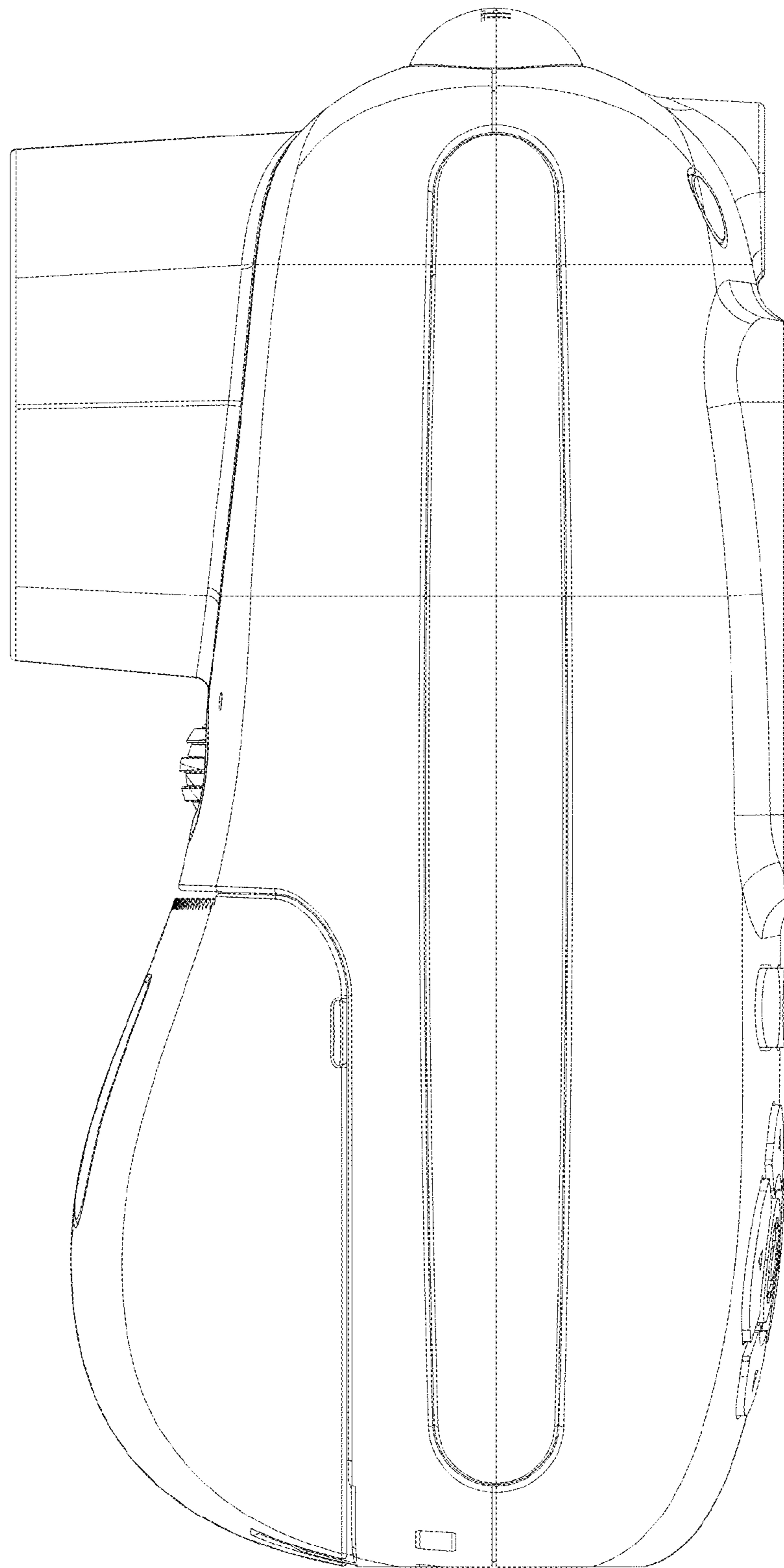


Fig. 4

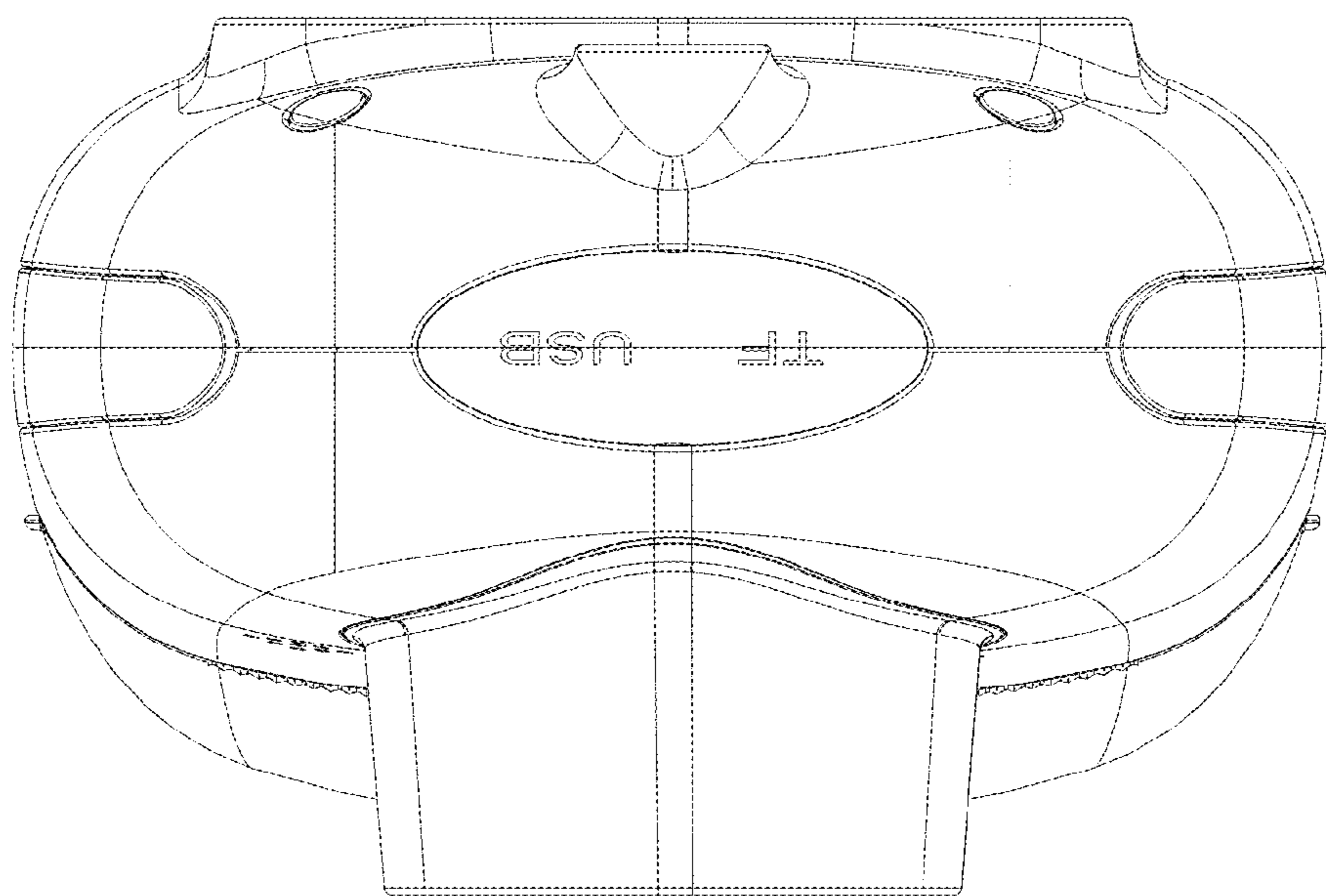


Fig. 5

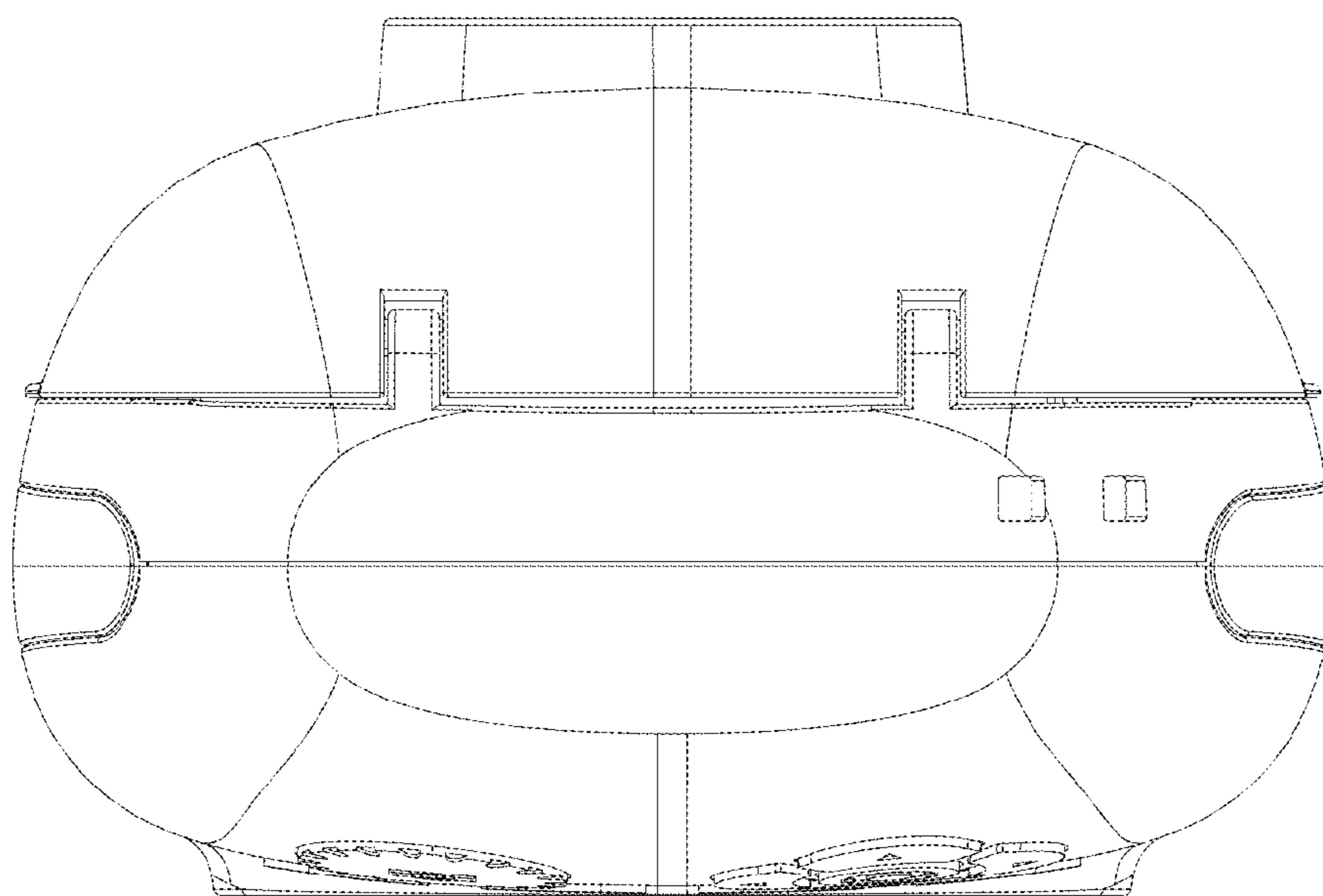


Fig. 6

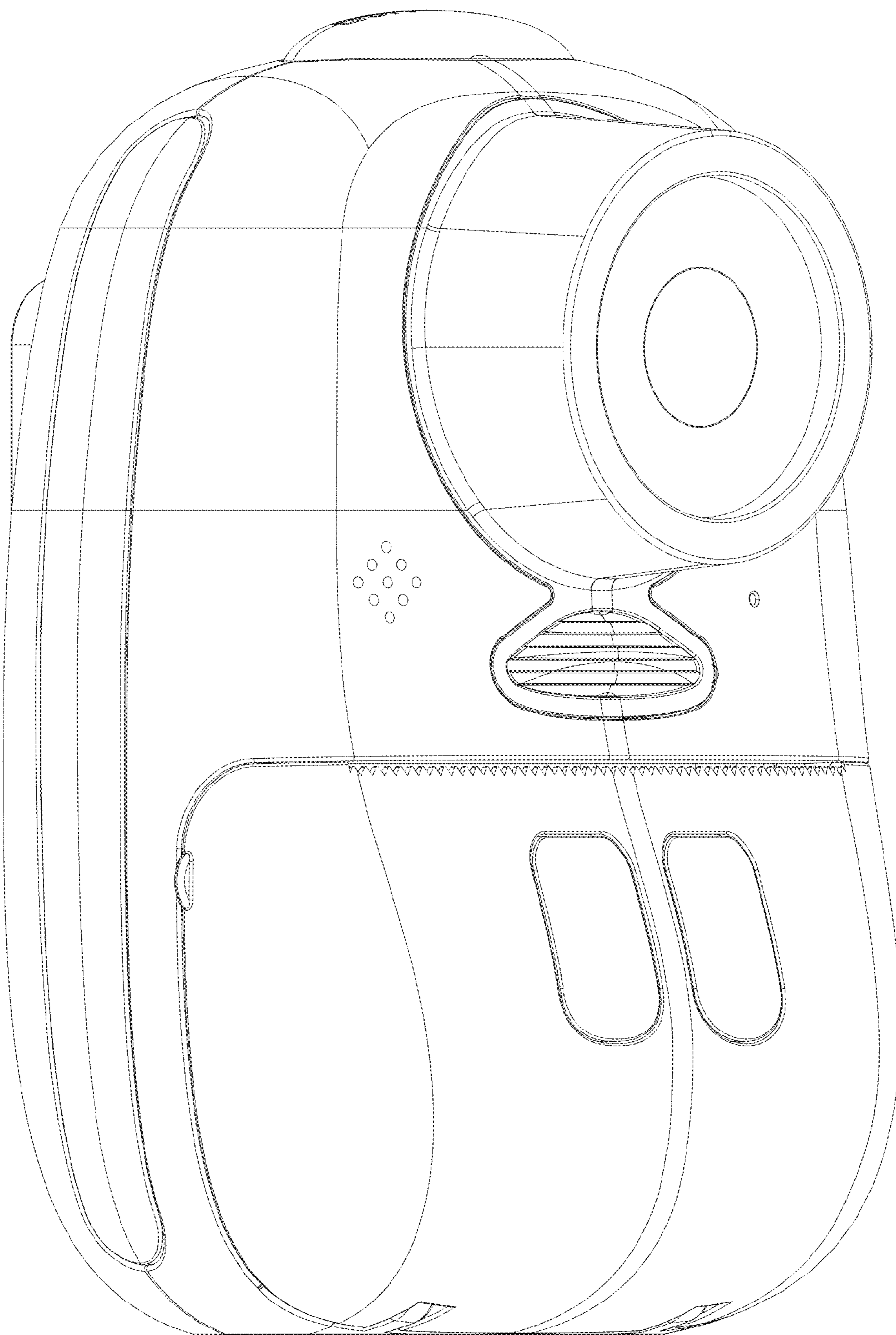


Fig. 7

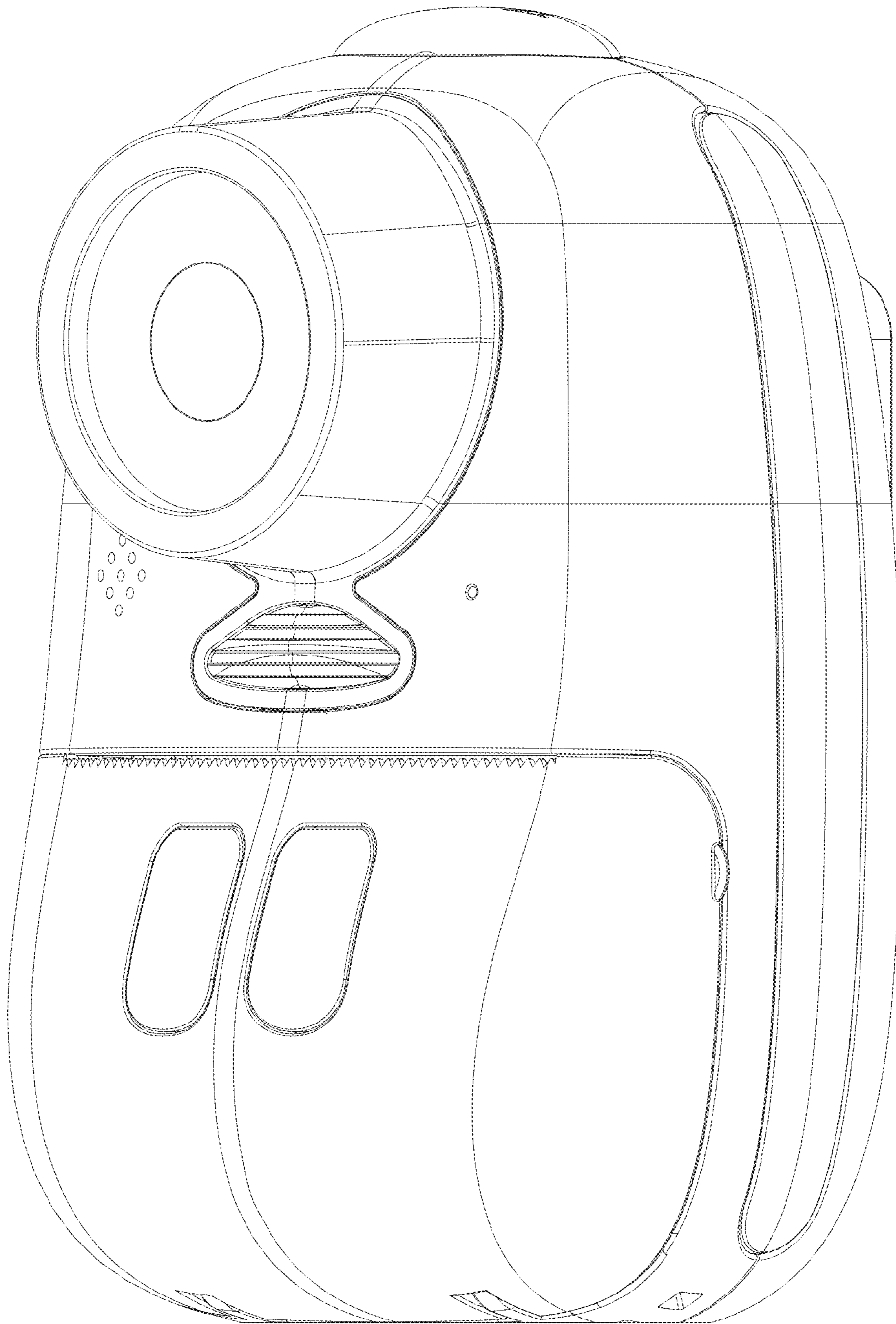


Fig. 8





Fig. 9