



US00D907091S

(12) **United States Design Patent**  
**Lv et al.**

(10) **Patent No.:** **US D907,091 S**

(45) **Date of Patent:** **\*\* Jan. 5, 2021**

(54) **CAMERA**

(71) Applicant: **Shenzhen eMeet Technology Co., Ltd.**,  
Shenzhen (CN)

(72) Inventors: **Zhoujin Lv**, Shenzhen (CN); **Xuanlin Wang**, Shenzhen (CN)

(73) Assignee: **Shenzhen eMeet Technology Co., Ltd.**,  
Shenzhen (CN)

(\*\*) Term: **15 Years**

(21) Appl. No.: **29/720,668**

(22) Filed: **Jan. 15, 2020**

(30) **Foreign Application Priority Data**

Sep. 20, 2019 (CN) ..... 2019 3 0518775

(51) **LOC (13) Cl.** ..... **16-01**

(52) **U.S. Cl.**  
USPC ..... **D16/202**

(58) **Field of Classification Search**

USPC ..... D10/61, 63, 65, 70, 71, 104.1, 106.7;  
D16/200, 202–203, 207, 208, 218, 219;  
D14/203.1, 204, 209.1, 496, 497;  
348/14.01–14.16, 373–376; 396/427,  
396/535, 539–541

CPC ..... G03B 17/02; G03B 19/04; G03B 17/56;  
G03B 17/04; G03B 15/03; H04N 5/2251;  
H04N 5/2252; H04N 5/2253; H04N  
5/2254; H04N 2101/00; H04N 2007/145;  
H04N 7/141; H04N 7/142; H04N 7/147;  
H04N 7/148; H04N 7/15; H04N 7/152

See application file for complete search history.

(56) **References Cited**

**U.S. PATENT DOCUMENTS**

D629,031 S \* 12/2010 Su ..... D16/202  
D631,497 S \* 1/2011 Han ..... D16/202

D641,388 S \* 7/2011 Shih ..... D16/202  
D651,229 S \* 12/2011 Tan ..... D16/202  
D654,942 S \* 2/2012 Khamsepoor ..... D16/202  
D665,439 S \* 8/2012 Khamsepoor ..... D16/202  
D680,144 S \* 4/2013 Tsai ..... D16/202  
D680,569 S \* 4/2013 Lee ..... D16/202  
D682,332 S \* 5/2013 Wang ..... D16/202  
8,593,567 B2 \* 11/2013 Xiao ..... H04N 5/2251  
348/373  
D709,117 S \* 7/2014 Gan ..... D16/202  
D849,089 S \* 5/2019 Lu ..... D16/202  
D870,790 S \* 12/2019 Depay ..... D16/202

\* cited by examiner

*Primary Examiner* — Ramzi S Almatrahi

(74) *Attorney, Agent, or Firm* — Westbridge IP LLC

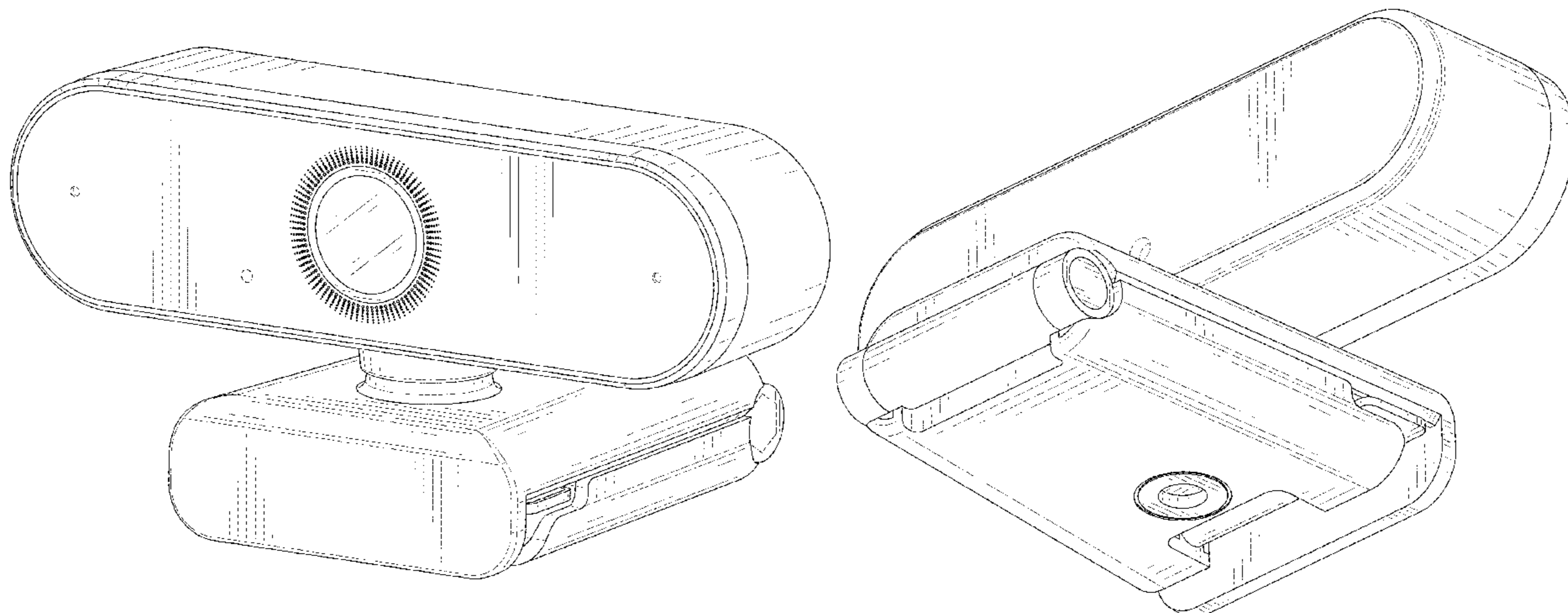
(57) **CLAIM**

The ornamental design for a camera, as shown and described.

**DESCRIPTION**

FIG. 1 is a front elevational view of a camera showing our new design;  
FIG. 2 is a rear elevational view thereof;  
FIG. 3 is a left side elevational view thereof;  
FIG. 4 is a right side elevational view thereof;  
FIG. 5 is a top plan view thereof;  
FIG. 6 is a bottom plan view thereof;  
FIG. 7 is a front perspective view thereof;  
FIG. 8 is a rear perspective view thereof; and,  
FIG. 9 is a front perspective view thereof, shown in an alternate configuration.  
The broken lines depict portions of the camera in which the design is embodied that form no part of the claimed design.

**1 Claim, 9 Drawing Sheets**



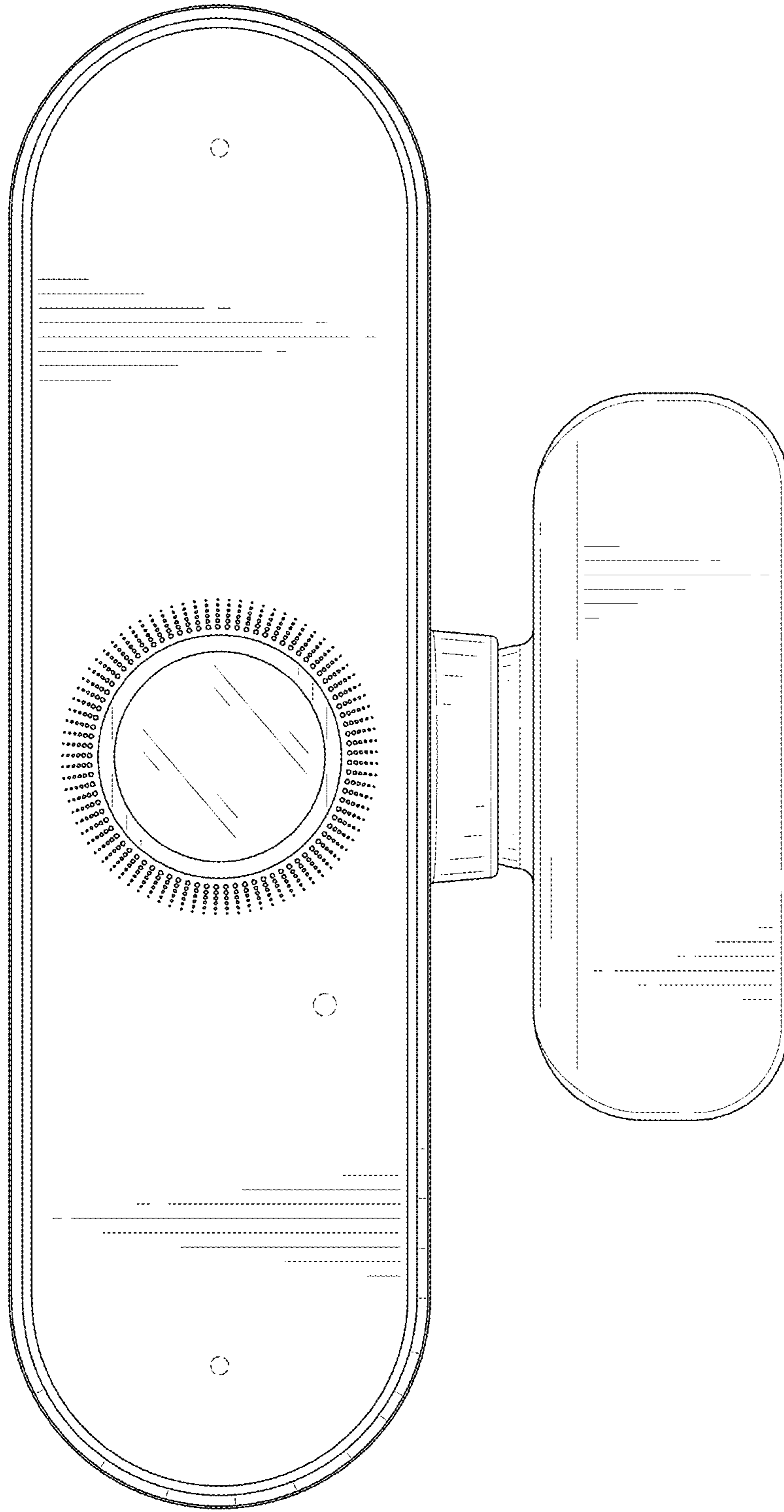


FIG. 1

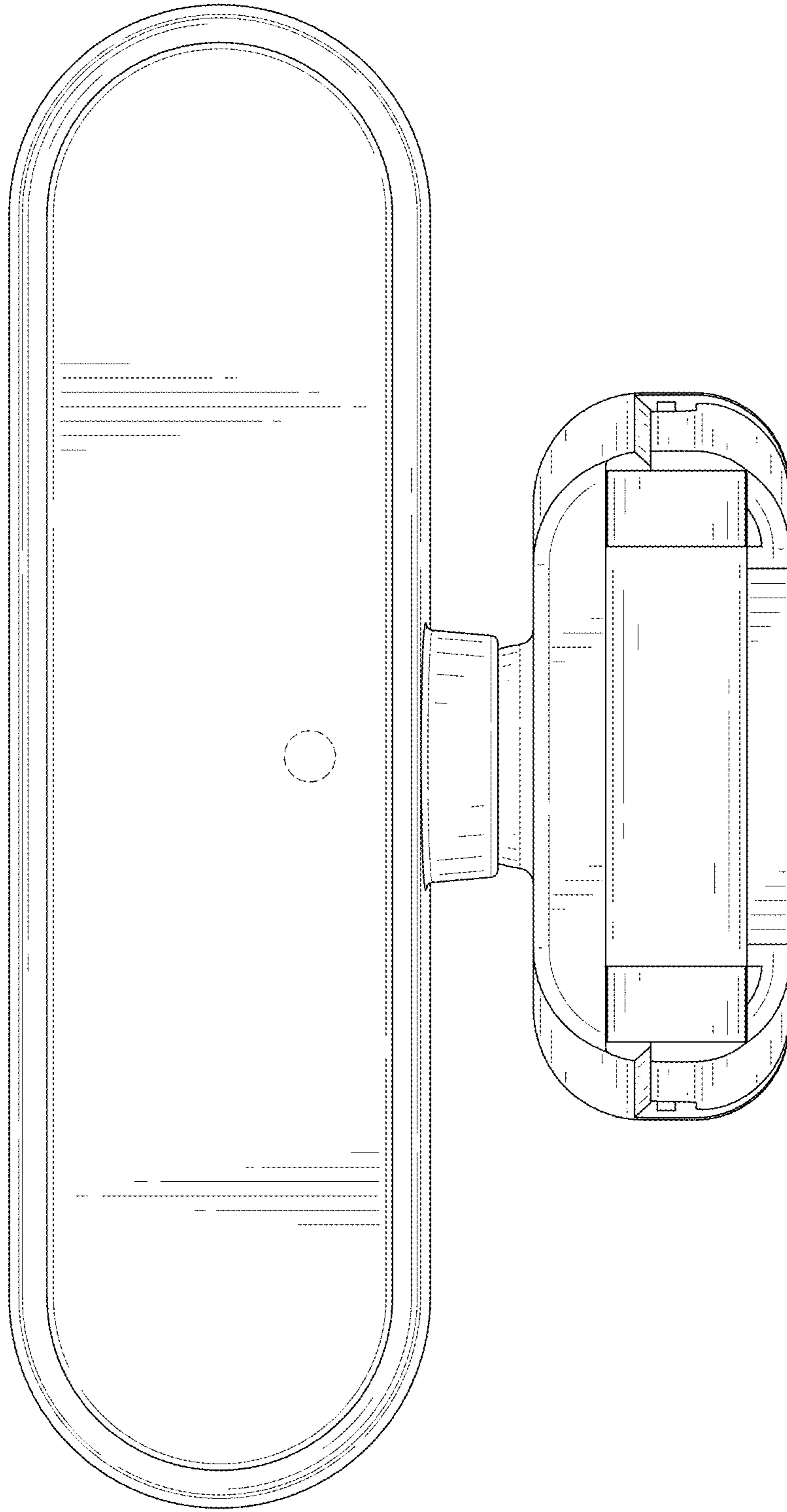


FIG. 2

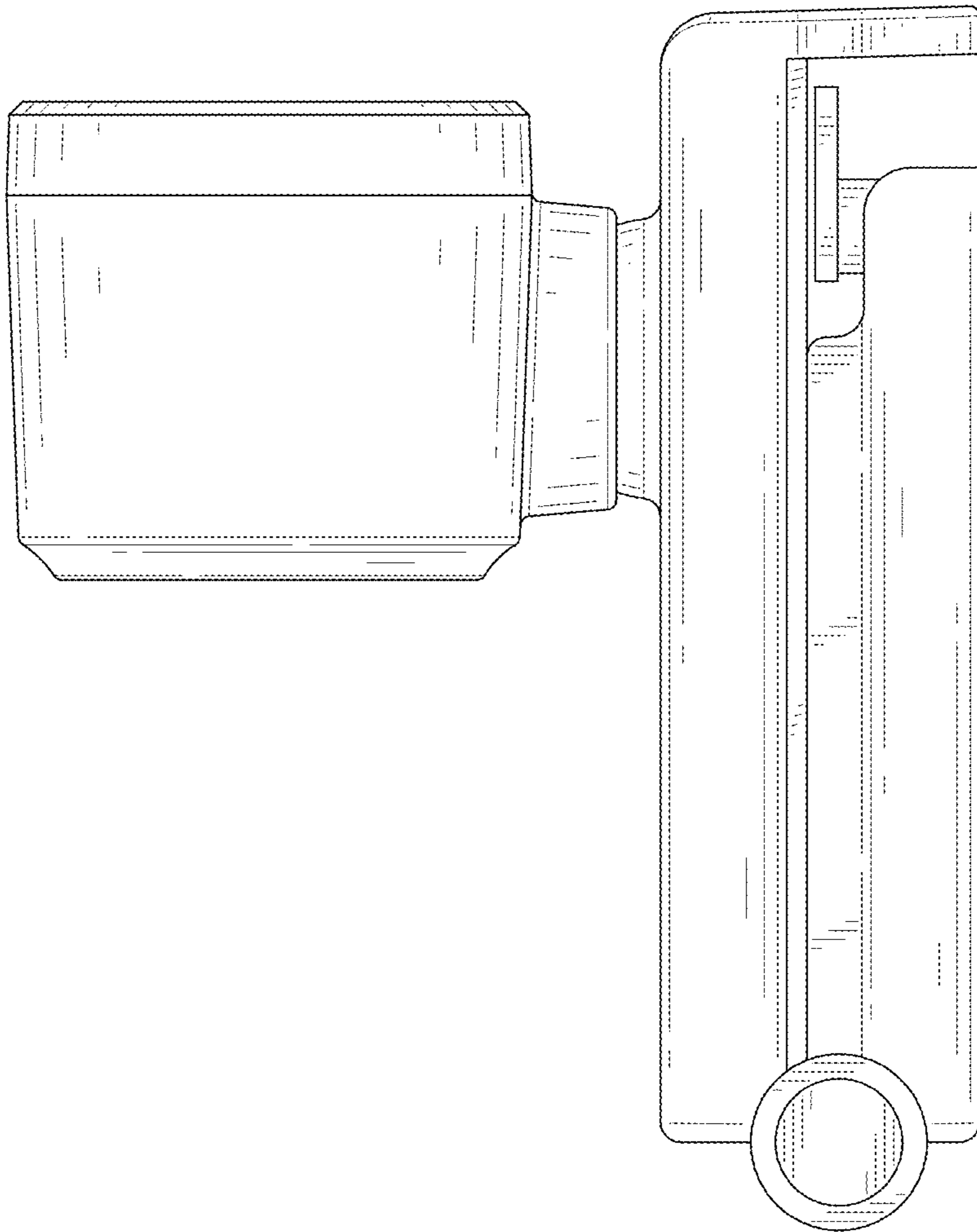


FIG. 3



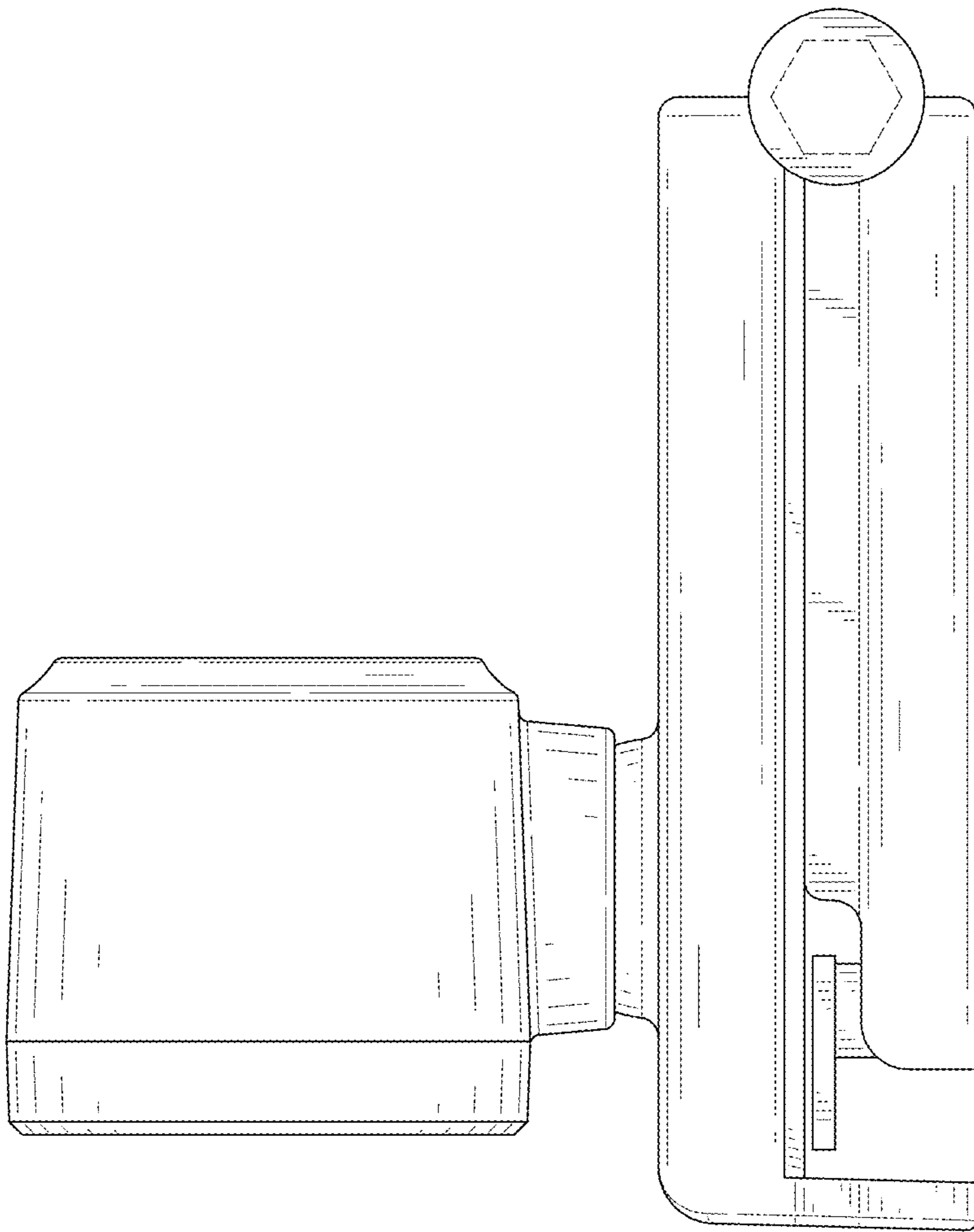


FIG. 4

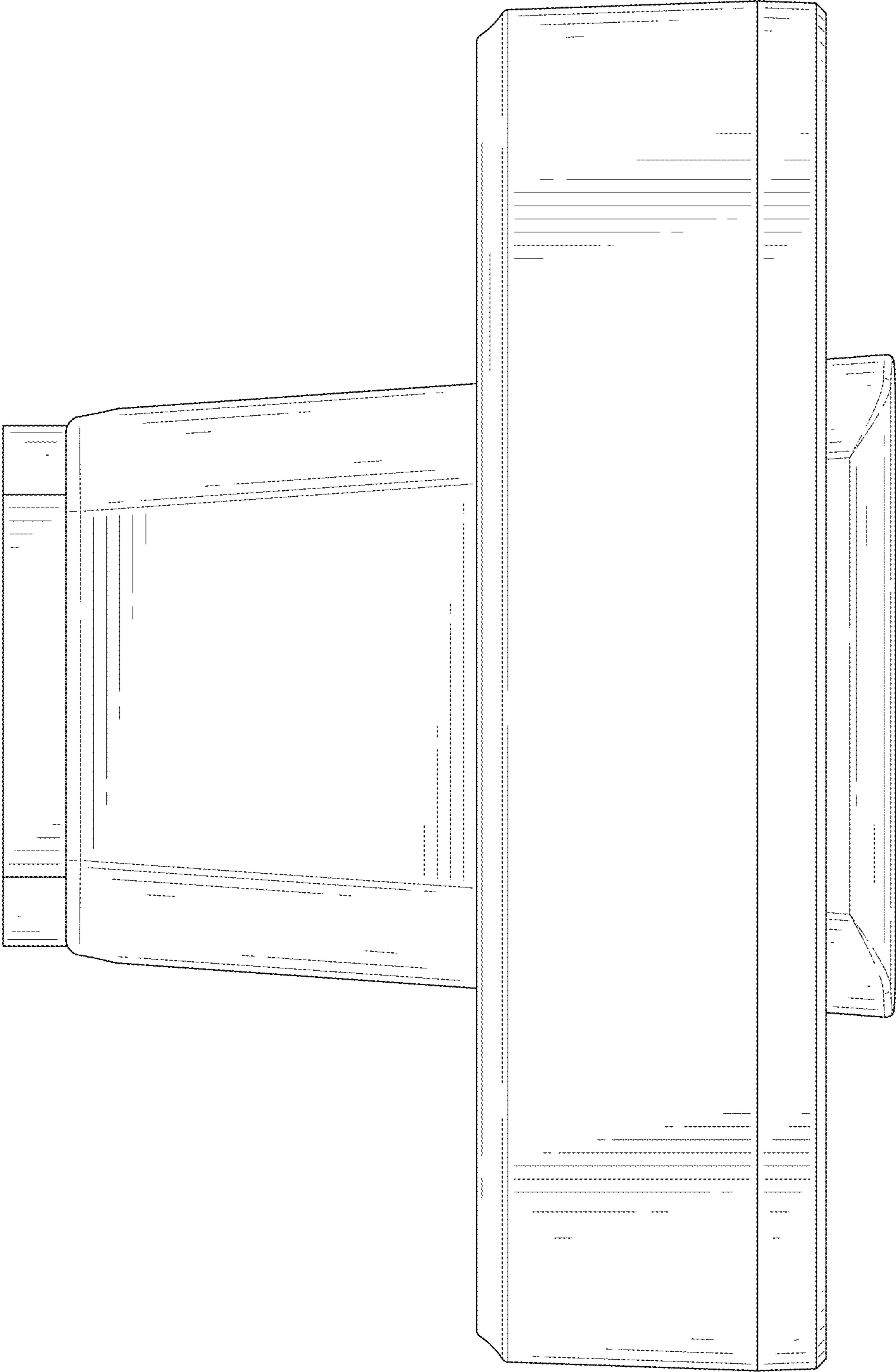


FIG. 5

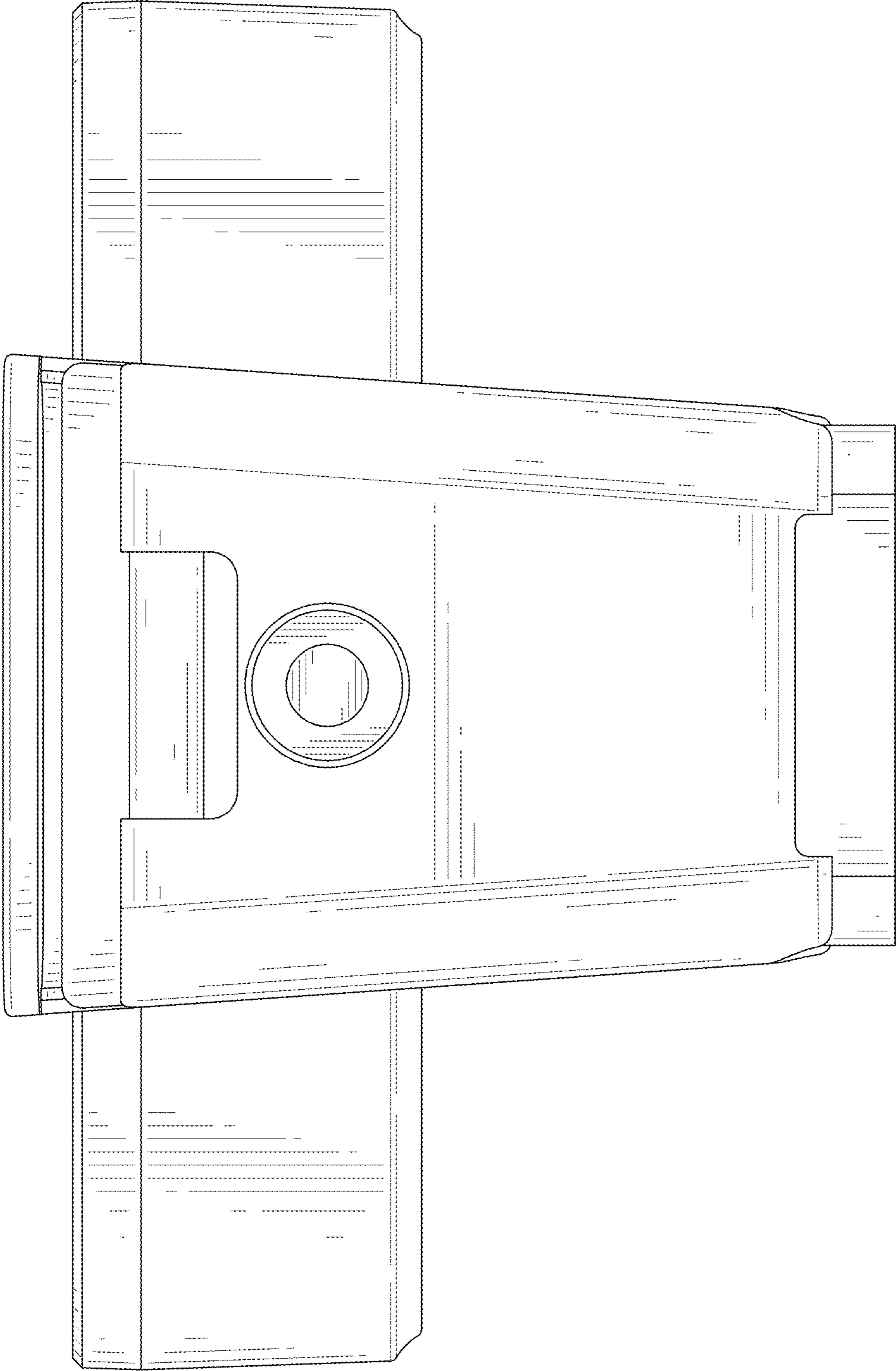


FIG. 6

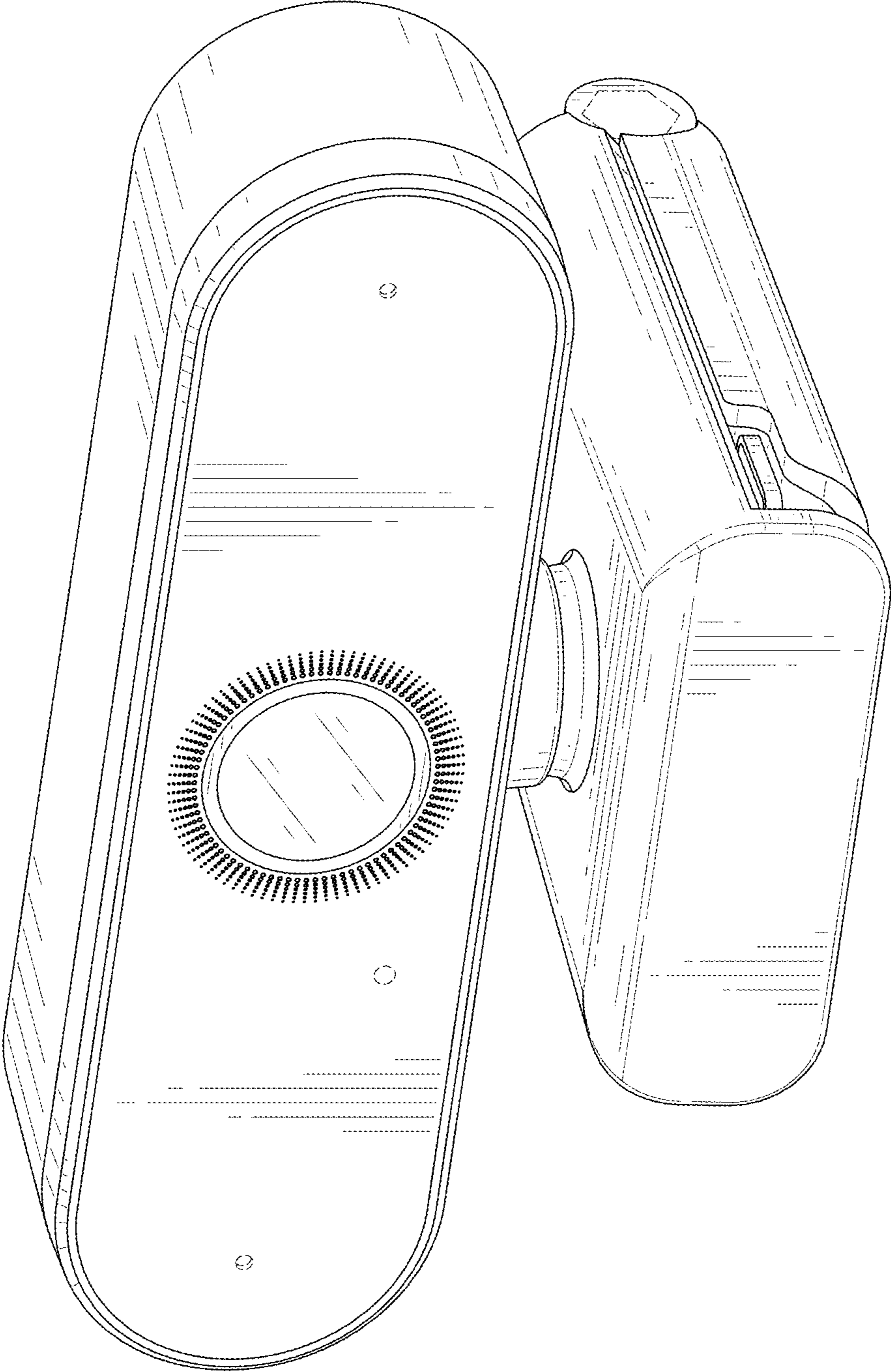


FIG. 7



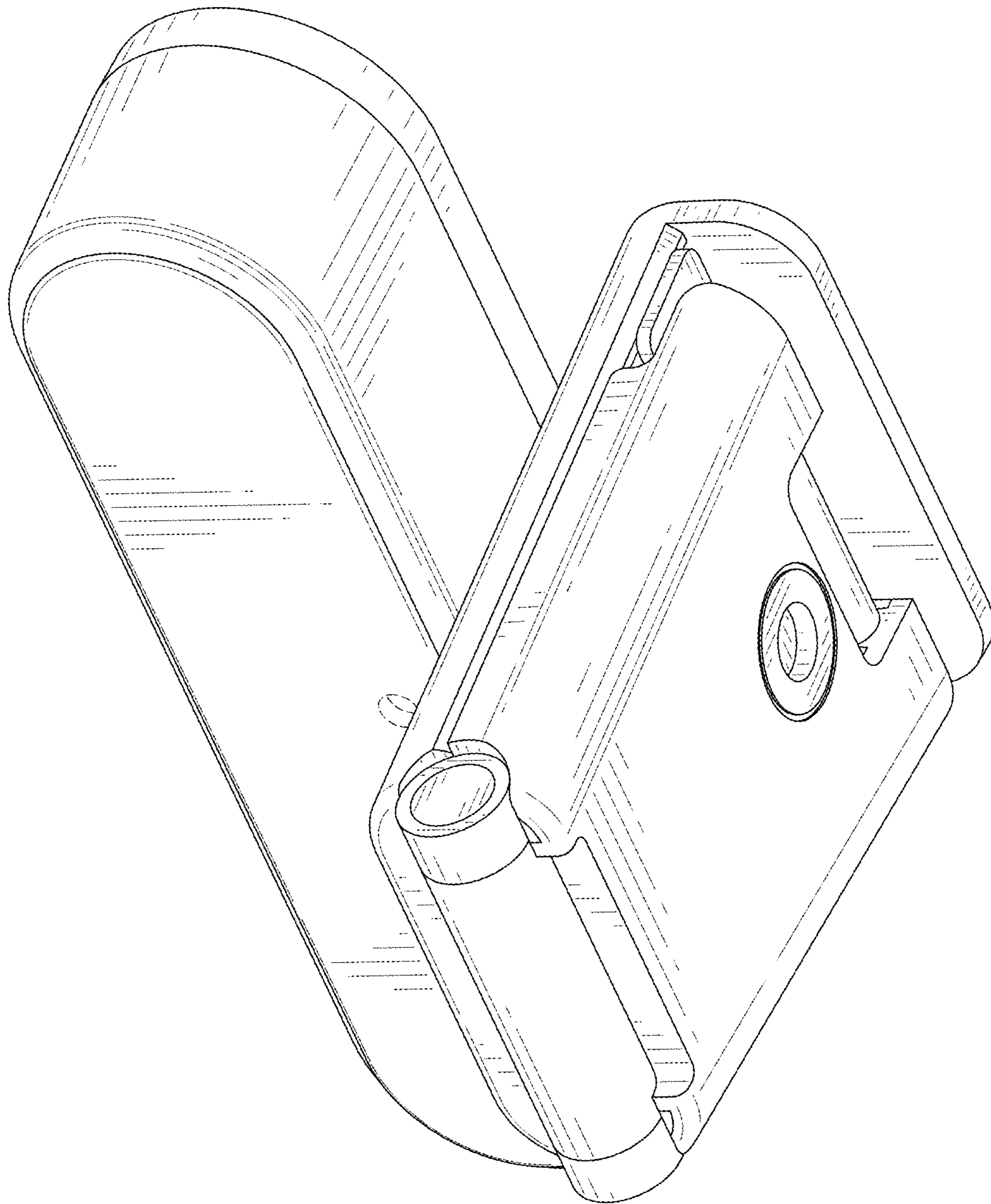


FIG. 8

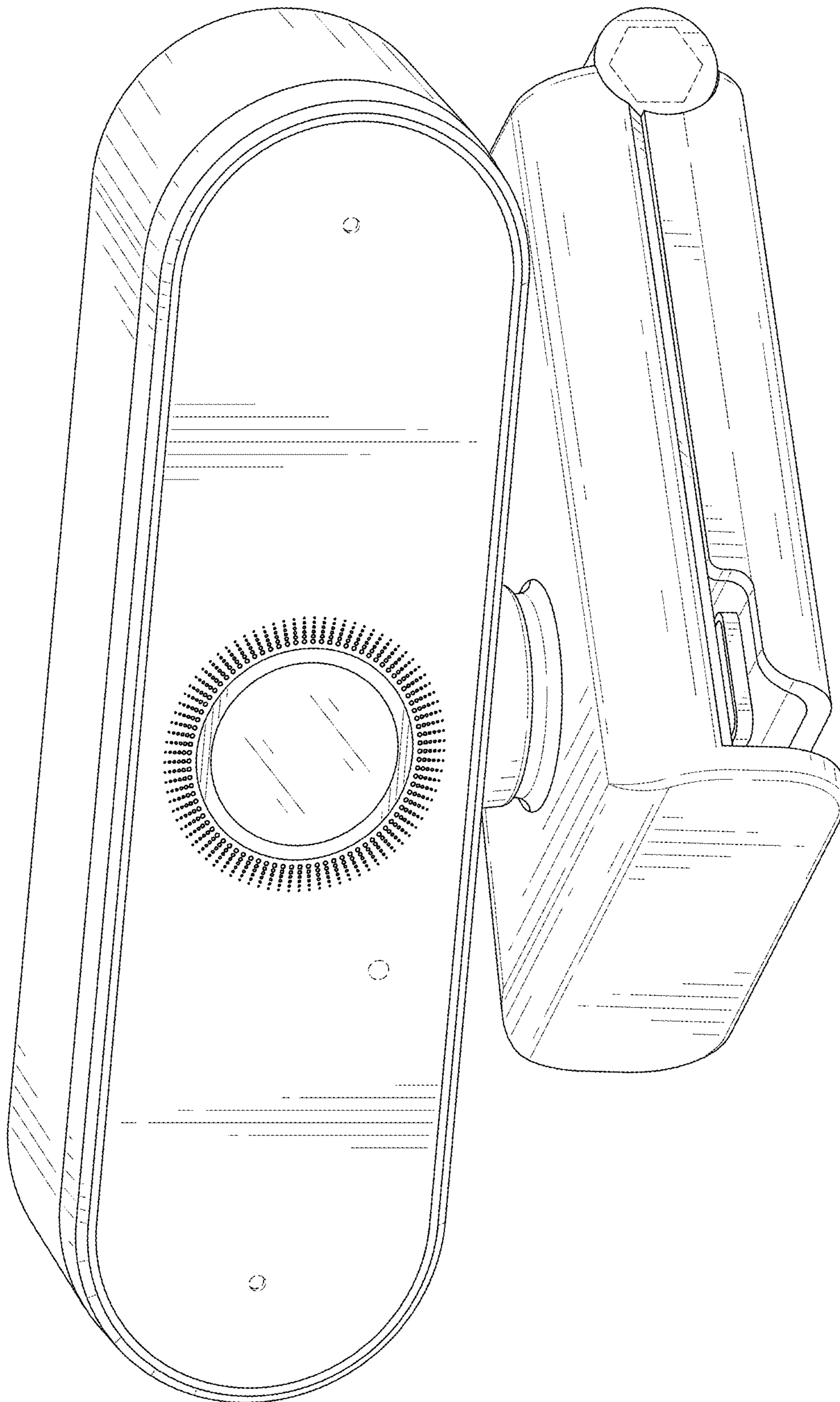


FIG. 9