



US00D907090S

(12) **United States Design Patent**
Zheng et al.

(10) **Patent No.:** **US D907,090 S**

(45) **Date of Patent:** **** Jan. 5, 2021**

(54) **IMAGE CAPTURE AND ANALYSIS DEVICE**

(56)

References Cited

(71) Applicant: **ADVANCED NEW TECHNOLOGIES CO., LTD.**, Grand Cayman (KY)

(72) Inventors: **Kunkun Zheng**, Hangzhou (CN); **Le Zhou**, Hangzhou (CN)

(73) Assignee: **ADVANCED NEW TECHNOLOGIES CO., LTD.**, Grand Cayman (KY)

(**) Term: **15 Years**

(21) Appl. No.: **29/695,491**

(22) Filed: **Jun. 19, 2019**

(30) **Foreign Application Priority Data**

Dec. 21, 2018 (CN) 2018 3 0746576

(51) **LOC (13) Cl.** **16-01**

(52) **U.S. Cl.**
USPC **D16/202**

(58) **Field of Classification Search**
USPC D16/200, 202–207, 208–210, 212, 218, D16/219, 242; 348/373–376; 396/448, 396/535, 539–541
CPC G03B 15/03; G03B 17/02; G03B 17/04; G03B 17/56; G03B 19/04; H04N 5/2251; H04N 5/2252; H04N 5/2253; H04N 5/2254; H04N 2101/00

See application file for complete search history.

U.S. PATENT DOCUMENTS

D629,031 S *	12/2010	Su	D16/202
D631,079 S *	1/2011	Tzeng	D16/202
D641,388 S *	7/2011	Shih	D16/202
D680,569 S *	4/2013	Lee	D16/202
D682,332 S *	5/2013	Wang	D16/202
D705,337 S *	5/2014	Tani	D16/219
D754,235 S *	4/2016	Fish, Jr.	D16/218
D756,436 S *	5/2016	Ku	D16/200
D783,075 S *	4/2017	Maxwell	D16/202
D835,698 S *	12/2018	Darty	D16/206
D849,089 S *	5/2019	Lu	D16/202
2012/0236195 A1 *	9/2012	Chang	H04N 5/2252 348/333.06

* cited by examiner

Primary Examiner — Ramzi S Almatrahi

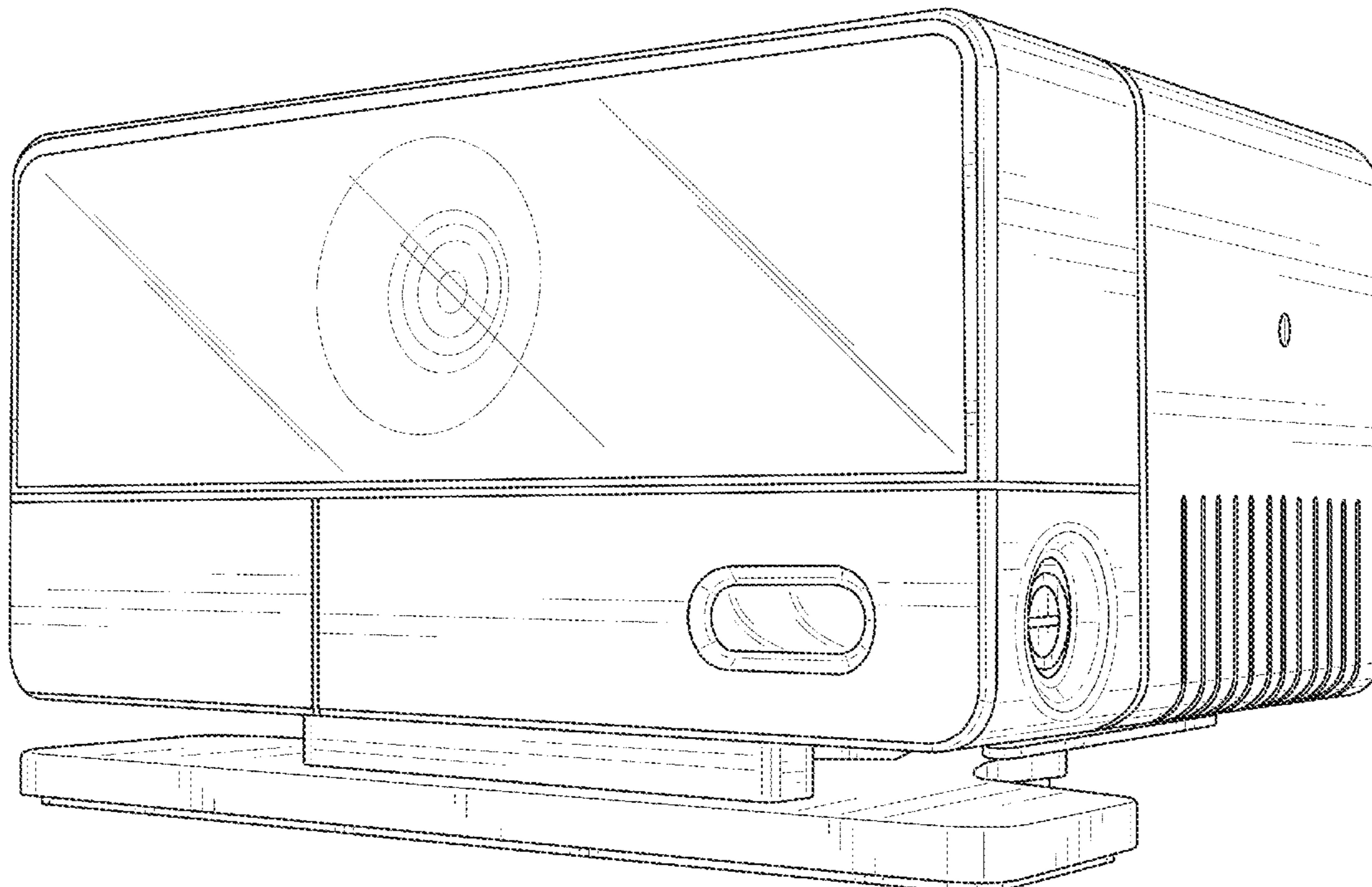
(57) **CLAIM**

The ornamental design for an image capture and analysis device, as shown and described.

DESCRIPTION

FIG. 1 is a front view of an image capture and analysis device showing our new design; FIG. 2 is a rear view thereof; FIG. 3 is a left-side view thereof; FIG. 4 is a right-side view thereof; FIG. 5 is a top view thereof; FIG. 6 is a bottom view thereof; and, FIG. 7 is a front and right side perspective view thereof. The broken lines depict portions of the image capture and analysis device in which the design is embodied that form no part of the claimed design.

1 Claim, 7 Drawing Sheets



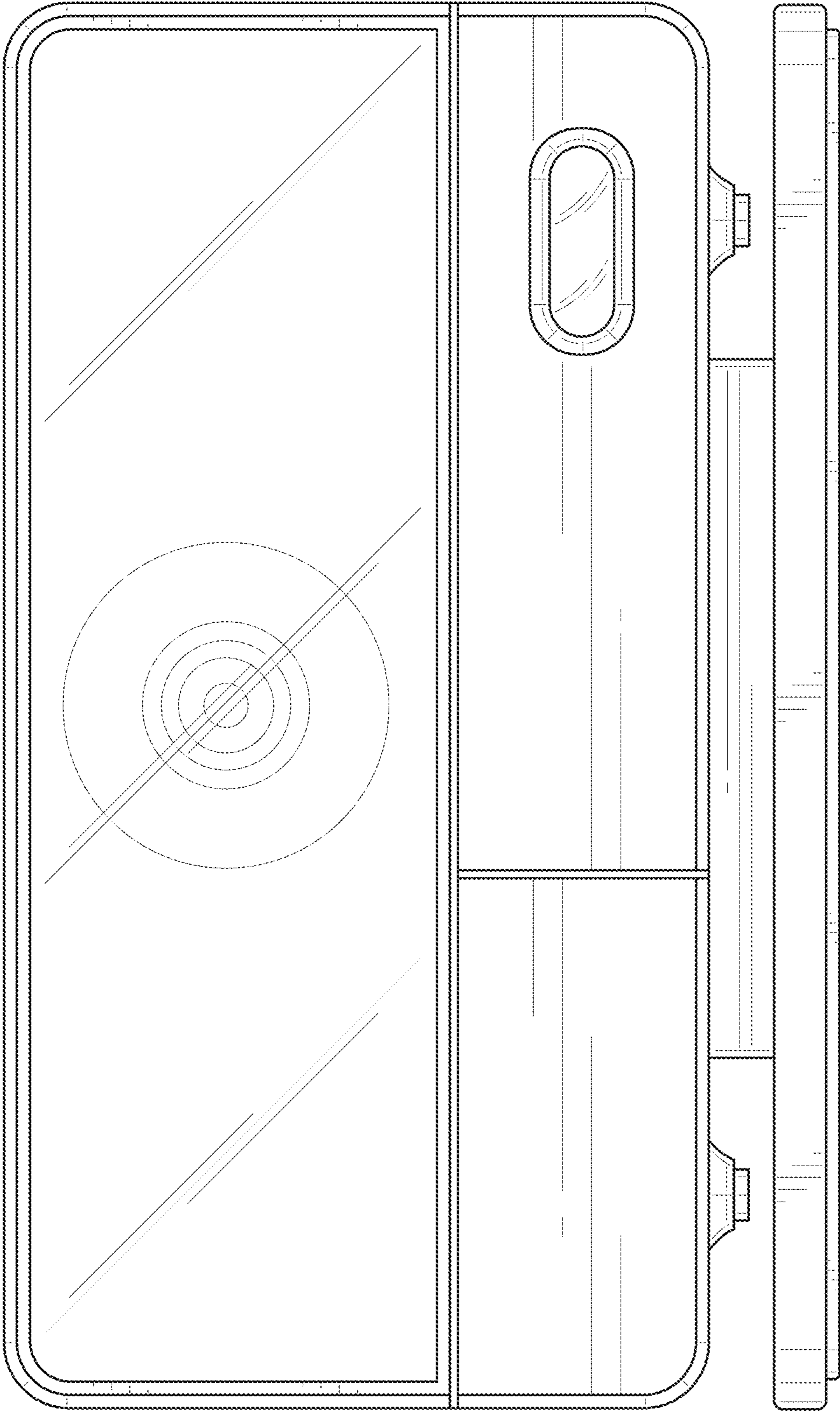


FIG. 1

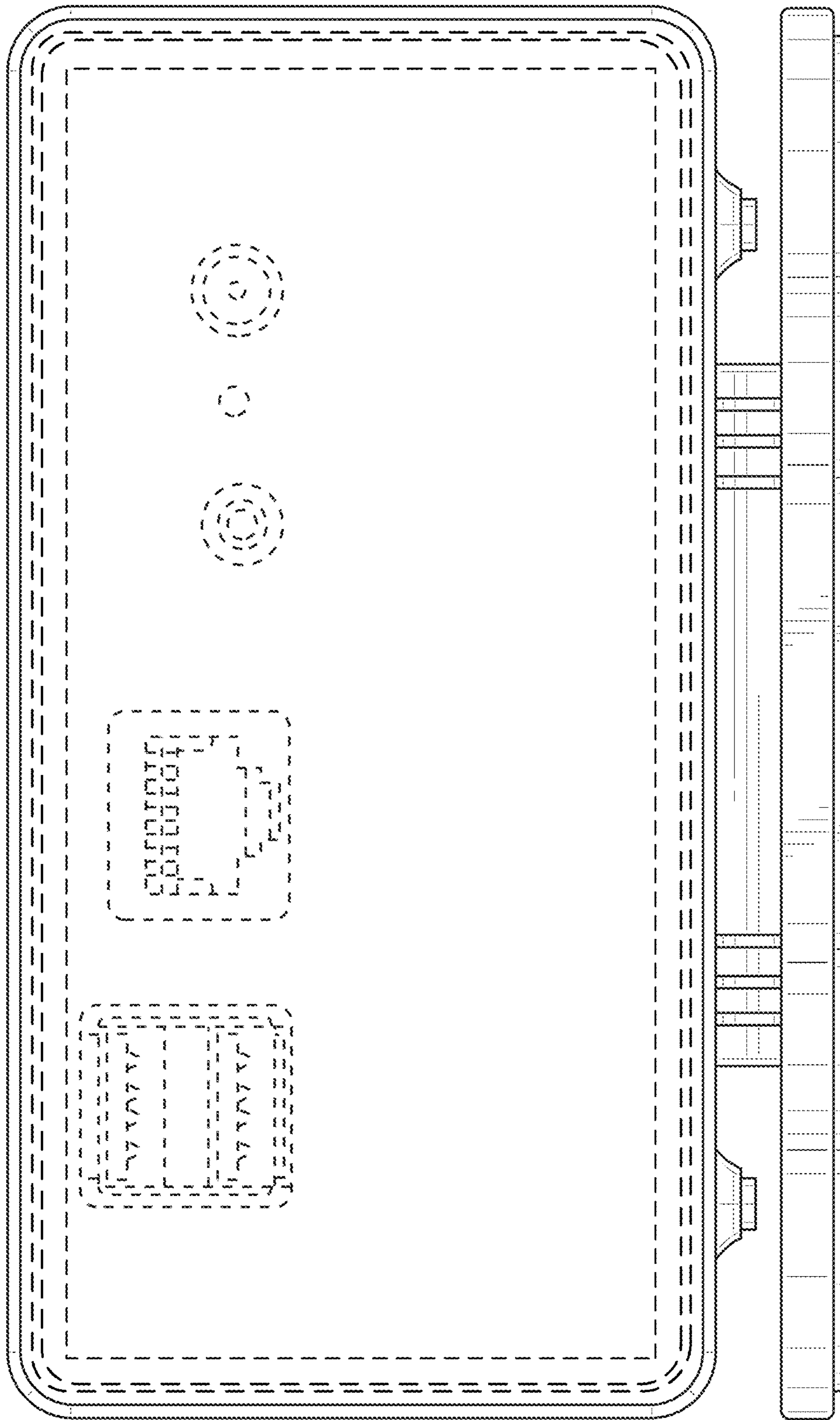


FIG. 2

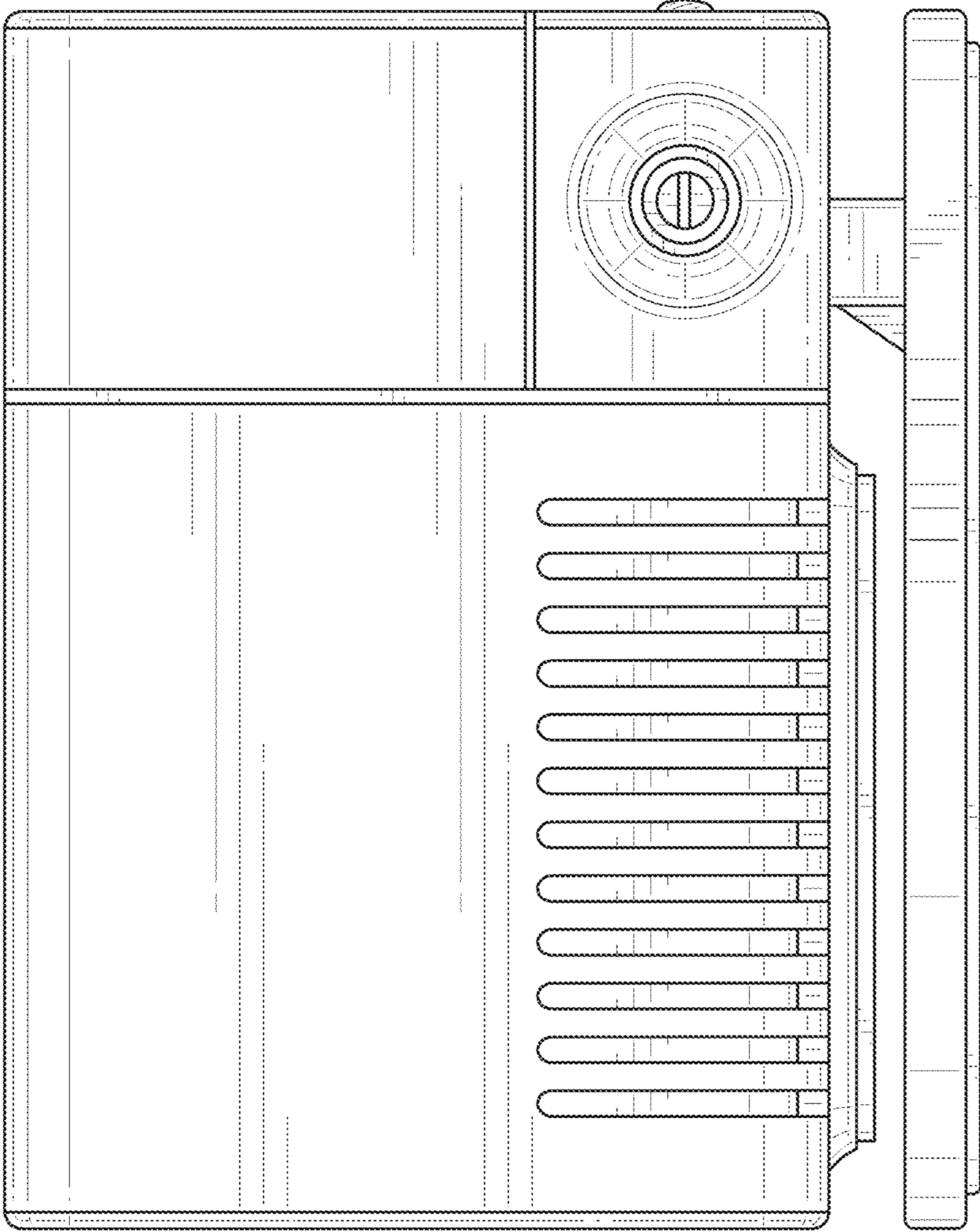


FIG. 3

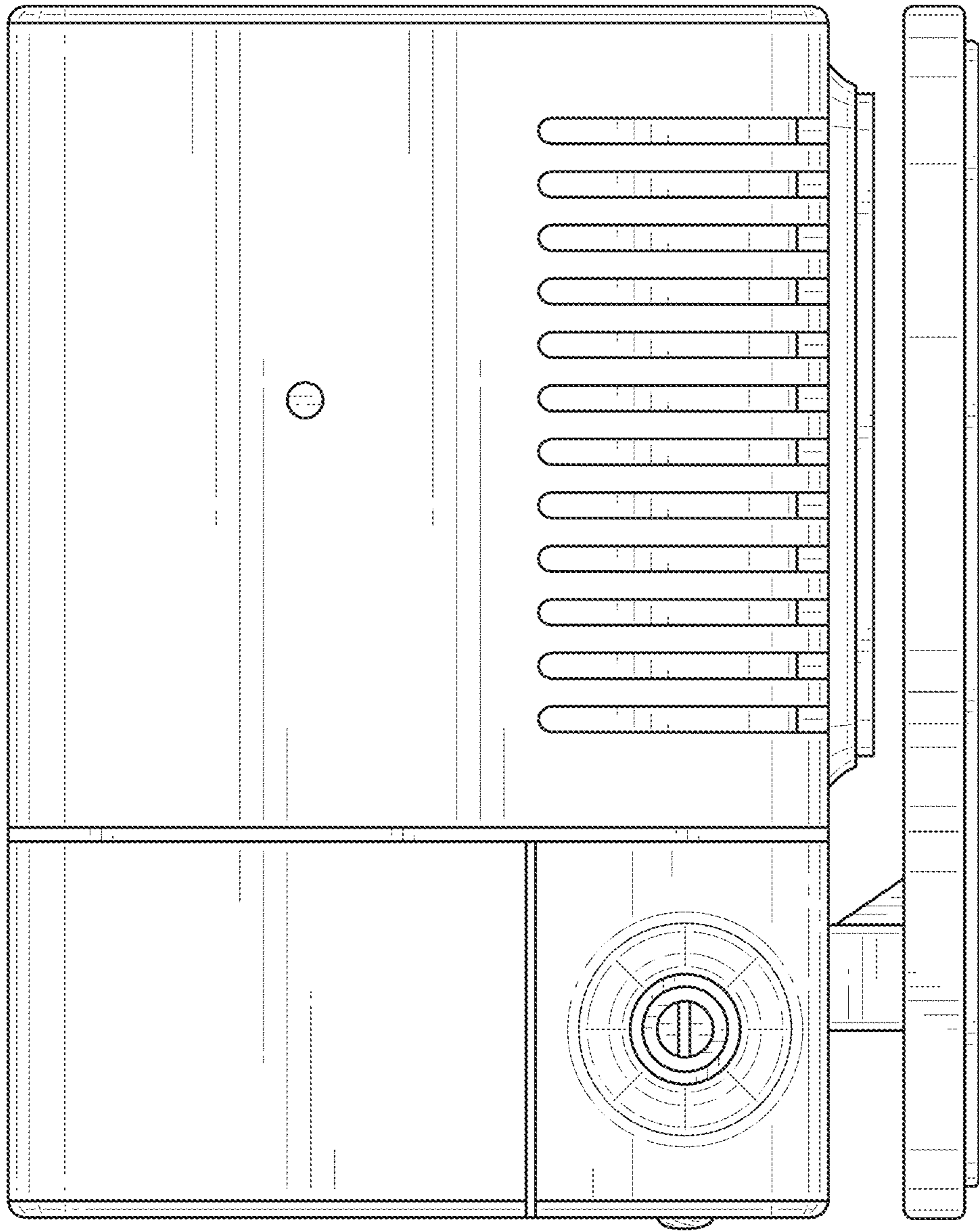


FIG. 4

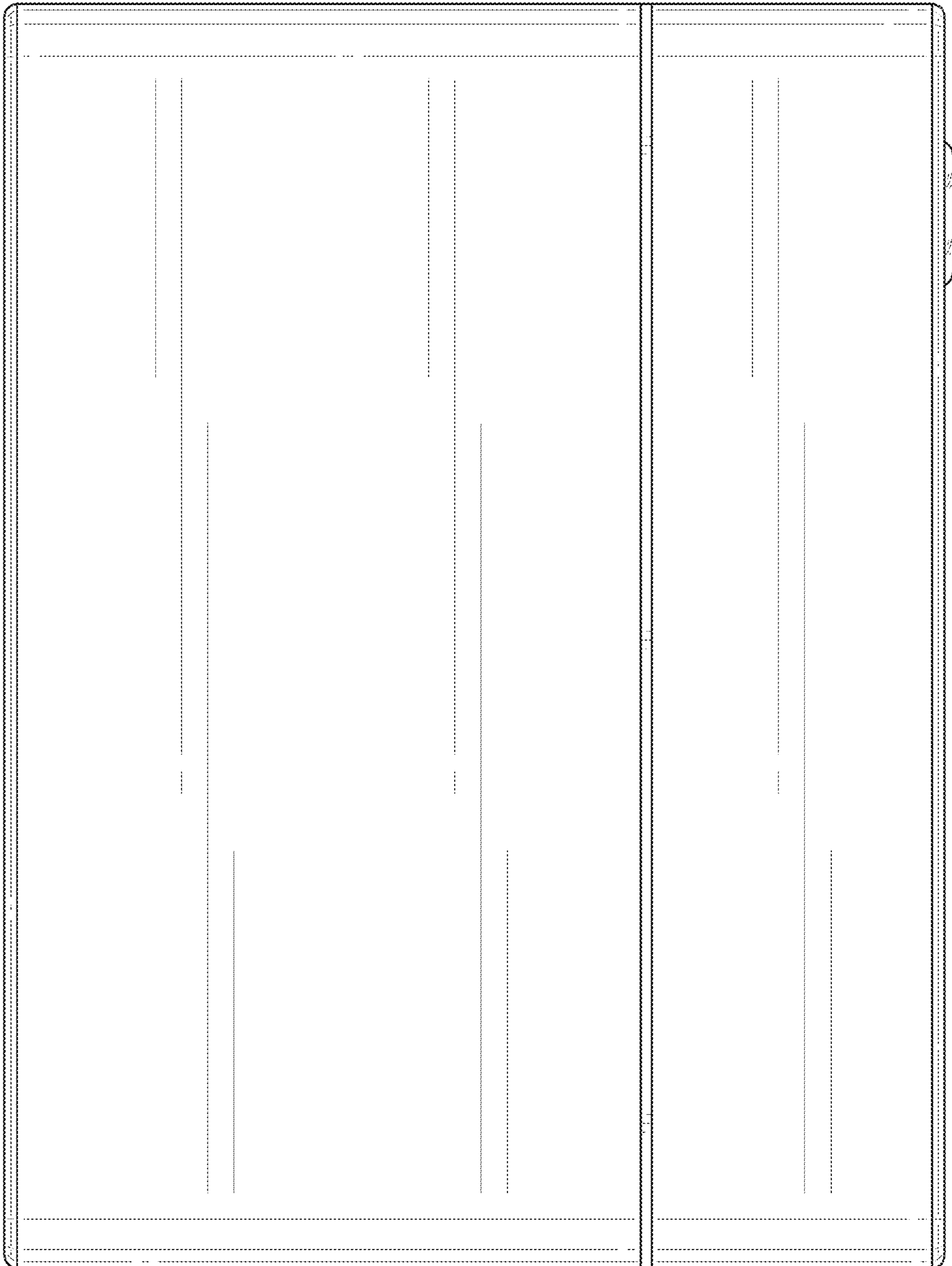


FIG. 5

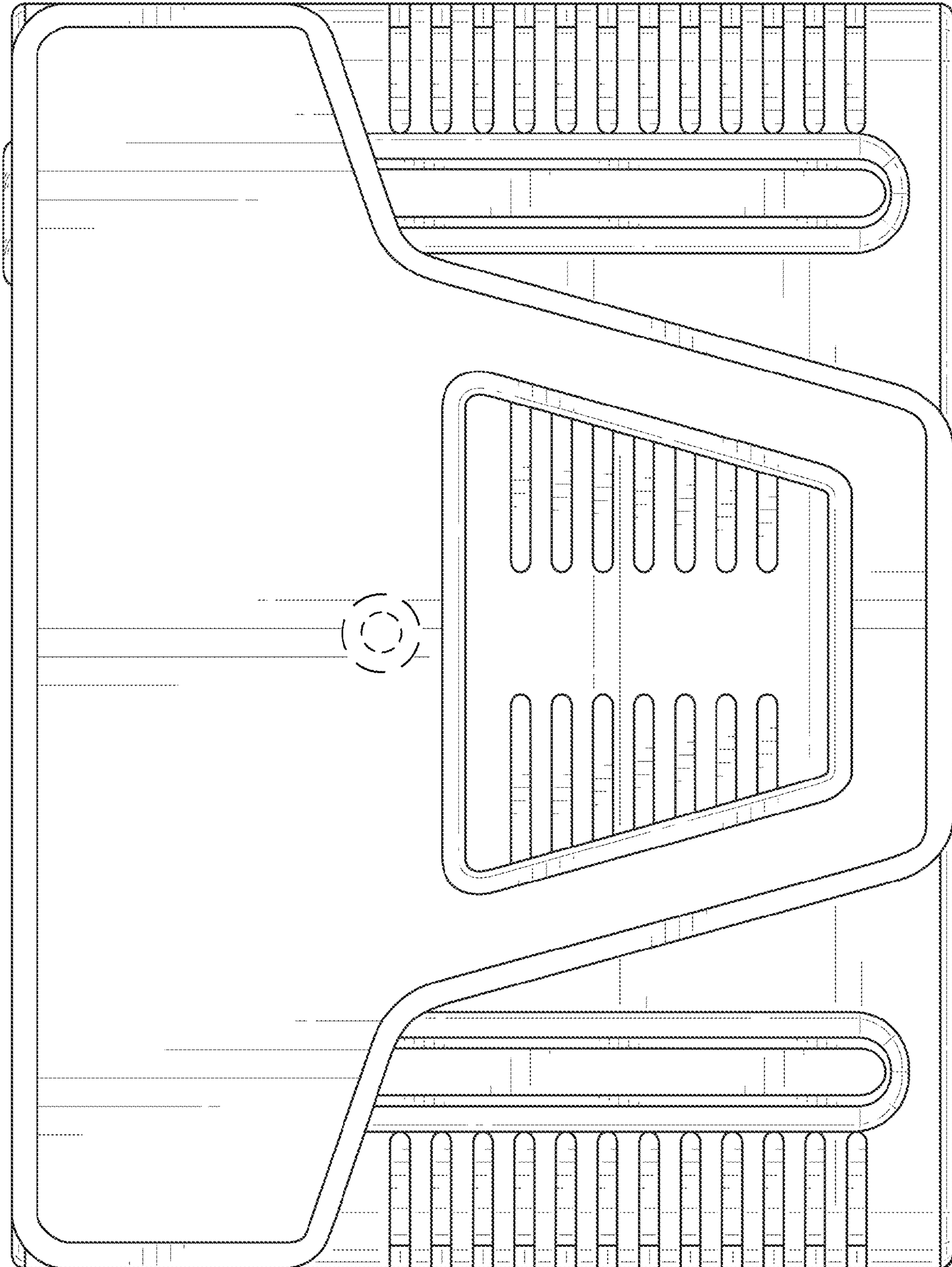


FIG. 6

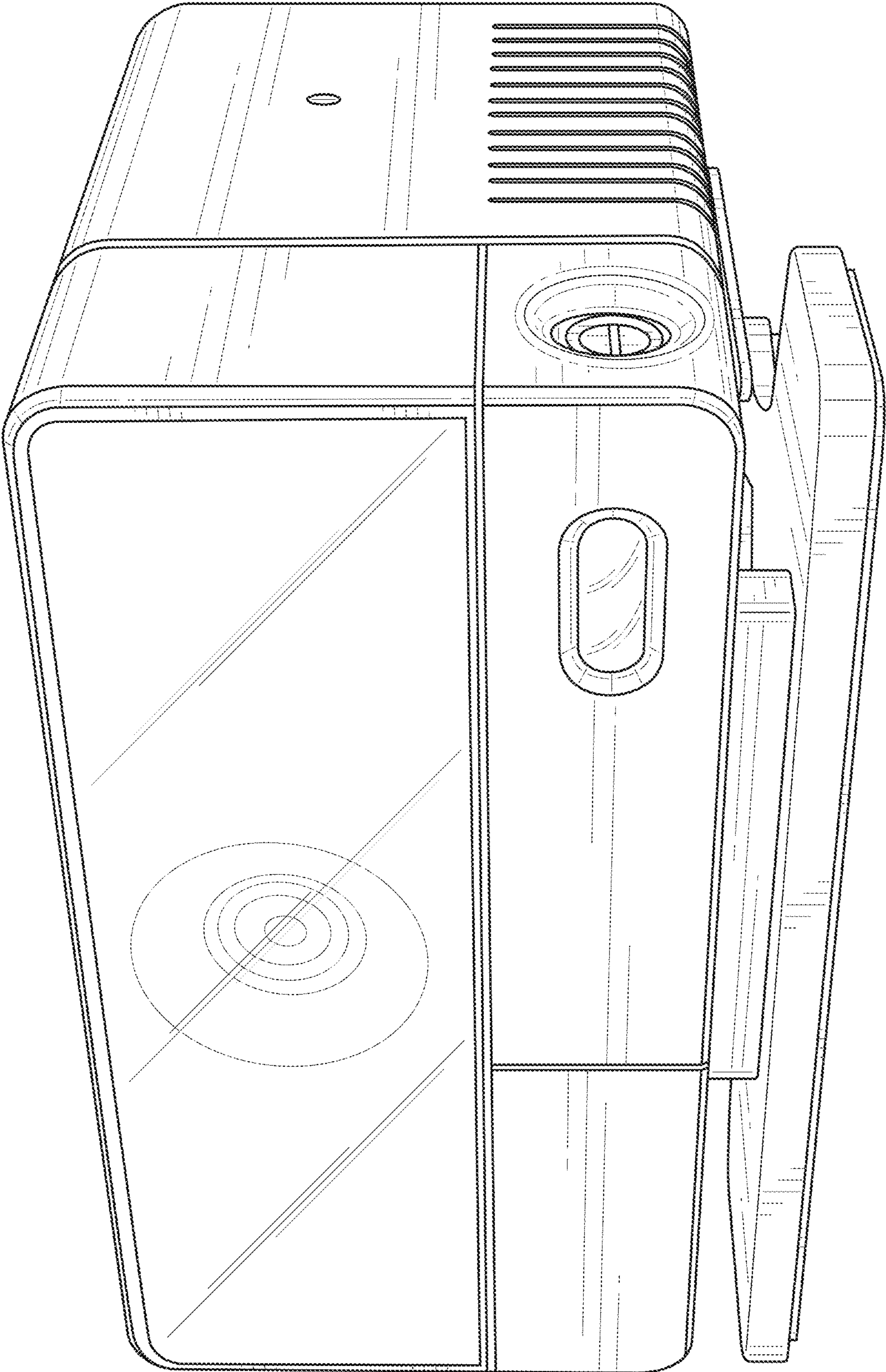


FIG. 7

UNITED STATES PATENT AND TRADEMARK OFFICE
CERTIFICATE OF CORRECTION

PATENT NO. : D907,090 S
APPLICATION NO. : 29/695491
DATED : January 5, 2021
INVENTOR(S) : Kunkun Zheng et al.

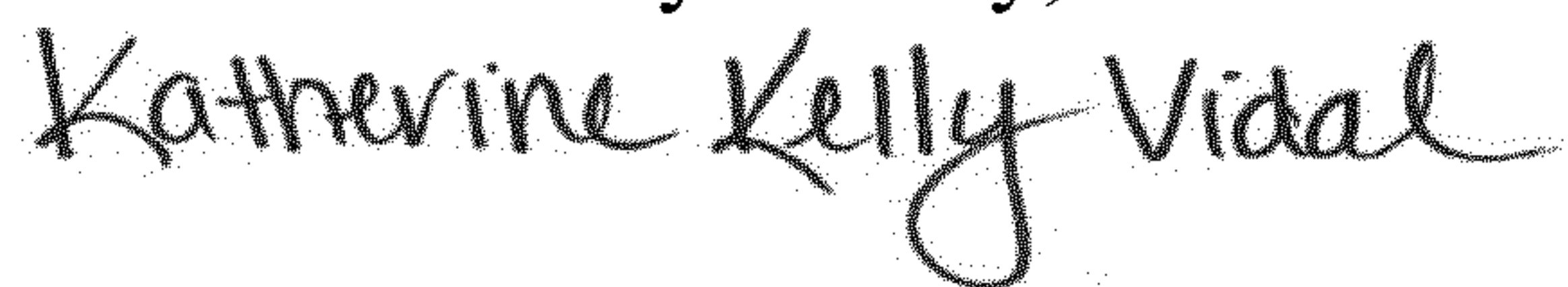
Page 1 of 1

It is certified that error appears in the above-identified patent and that said Letters Patent is hereby corrected as shown below:

On the Title Page

(30) Foreign Application Priority Data “2018 3 0746576” should read -- 201830746576.1 --.

Signed and Sealed this
Second Day of May, 2023



Katherine Kelly Vidal
Director of the United States Patent and Trademark Office