



US00D907089S

(12) **United States Design Patent** (10) **Patent No.:** **US D907,089 S**
Michaelian et al. (45) **Date of Patent:** **** Jan. 5, 2021**

(54) **VIDEO CAMERA**
(71) Applicant: **Dolby Laboratories Licensing Corporation**, San Francisco, CA (US)
(72) Inventors: **Peter Michaelian**, San Francisco, CA (US); **Samuel James Fleming Carr**, San Francisco, CA (US); **Christine Anna Livaudais**, San Francisco, CA (US); **Vincent Voron**, Menlo Park, CA (US)

7,572,073 B2 8/2009 Kenoyer et al.
D600,730 S * 9/2009 Su D16/202
D627,813 S 11/2010 Chen et al.
D643,456 S 8/2011 Won et al.
D665,439 S * 8/2012 Khamsepoor D16/202
(Continued)

FOREIGN PATENT DOCUMENTS

JP 1493703 3/2014
JP 1624810 2/2019
JP 1624811 2/2019

(73) Assignee: **Dolby Laboratories Licensing Corporation**, San Francisco, CA (US)

OTHER PUBLICATIONS

ASCII Media Works, "Weekly ASCII", No. 797, vol. 22, p. 51, Product Name: HD Pro Webcam C910, published Aug. 24, 2010, JPO Publicly Known Design No. HA22007362 (2 pages).

(**) Term: **15 Years**

(Continued)

(21) Appl. No.: **29/660,874**

(22) Filed: **Aug. 23, 2018**

Primary Examiner — Ramzi S Almatrahi

(51) **LOC (13) Cl.** **16-01**

(74) *Attorney, Agent, or Firm* — Saidman DesignLaw Group, LLC

(52) **U.S. Cl.**

USPC **D16/202**

(58) **Field of Classification Search**

(57) **CLAIM**

USPC D10/61, 63, 65, 70, 71, 104.1, 106.7;
D16/200, 202–203, 207, 208, 218, 219;
D14/203.1, 204, 209.1, 496, 497;
348/14.01–14.6, 373–376; 396/427, 535,
396/539–541

The ornamental design for a video camera, as shown and described.

CPC G03B 17/02; G03B 19/04; G03B 17/56;
G03B 17/04; G03B 15/03; H04N 5/2251;
H04N 5/2252; H04N 5/2253; H04N
5/2254; H04N 2101/00; H04N 2007/145;
H04N 7/141; H04N 7/142; H04N 7/147;
H04N 7/148; H04N 7/15; H04N 7/152

DESCRIPTION

See application file for complete search history.

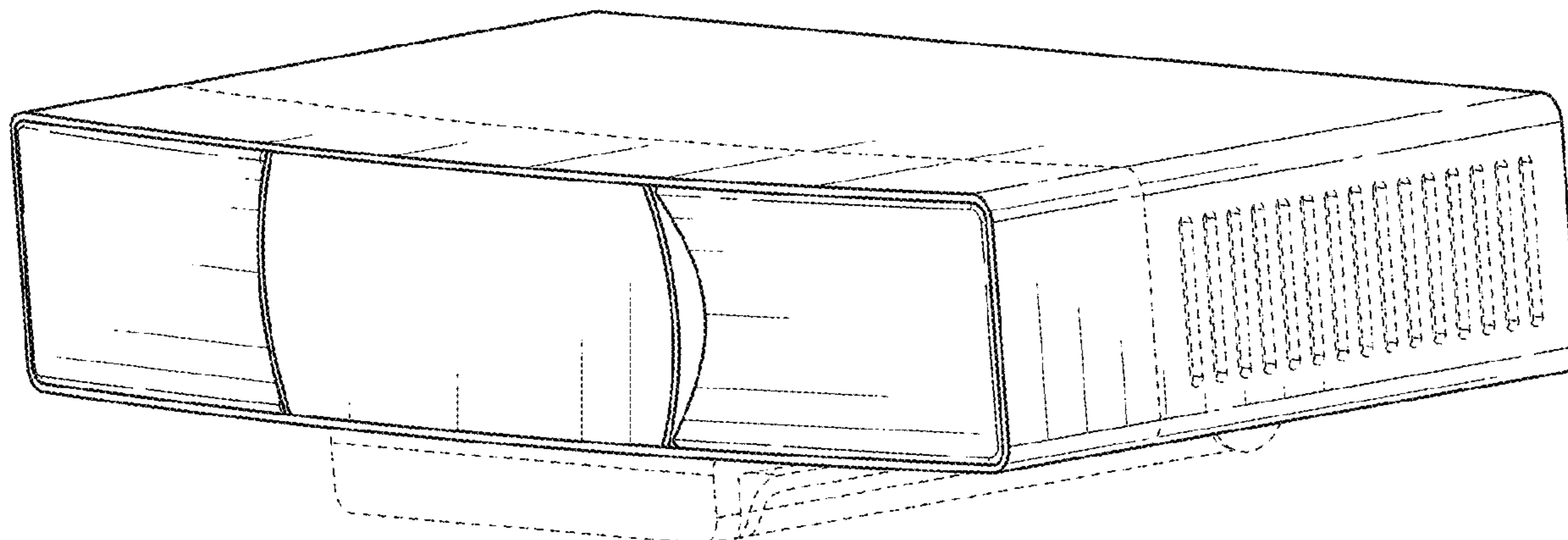
FIG. 1 is a perspective view of a video camera showing our new design;
FIG. 2 is a front view thereof;
FIG. 3 is a rear view thereof;
FIG. 4 is a left side view thereof;
FIG. 5 is a right side view thereof;
FIG. 6 is a top view thereof; and,
FIG. 7 is a bottom view thereof.
The broken lines illustrate portions of the video camera which form no part of the claimed design.
The drawings include surface shading which illustrates contour and not surface ornamentation.

(56) **References Cited**

U.S. PATENT DOCUMENTS

6,738,094 B1 5/2004 Minarni et al.
D497,975 S 11/2004 Zhang et al.
6,845,954 B1 1/2005 Moayer et al.

1 Claim, 3 Drawing Sheets



(56)

References Cited

U.S. PATENT DOCUMENTS

D669,108 S 10/2012 Maeyama
D680,144 S * 4/2013 Tsai D16/202
D680,569 S * 4/2013 Lee D16/202
D682,332 S * 5/2013 Wang D16/202
D685,015 S * 6/2013 Wang D16/202
D688,725 S 8/2013 Tsai
8,593,567 B2 * 11/2013 Xiao H04N 5/2251
348/373
D709,117 S * 7/2014 Gan D16/202
D744,573 S * 12/2015 Matsumiya D16/218
D745,586 S 12/2015 Chou et al.
D800,201 S * 10/2017 Song D16/202
D849,086 S * 5/2019 Russo D16/202
2005/0231587 A1 10/2005 Root et al.

OTHER PUBLICATIONS

Avaya, Scopia® XT Executive 240 (55411-00001), <<https://support.avaya.com/products/P1455/scopia-xt-executive-240>>.

U.S. Appl. No. 29/639,633 of Voron et al. titled "Camera System", filed Mar. 7, 2018 (unpublished).

U.S. Appl. No. 29/639,635 of Voron et al., titled "Camera System", filed Mar. 7, 2018 (unpublished).

U.S. Appl. No. 29/642,477 of Michaelian et al., titled "Video Camera", filed Mar. 29, 2018 (unpublished).

* cited by examiner

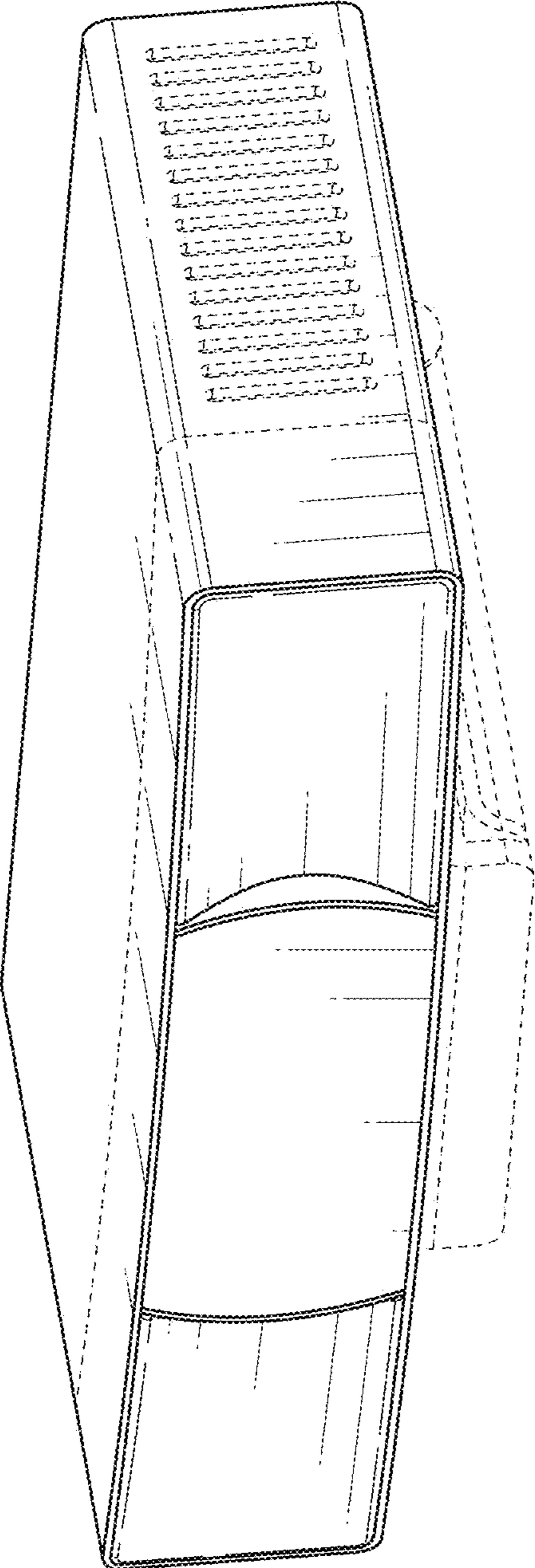


FIG. 1

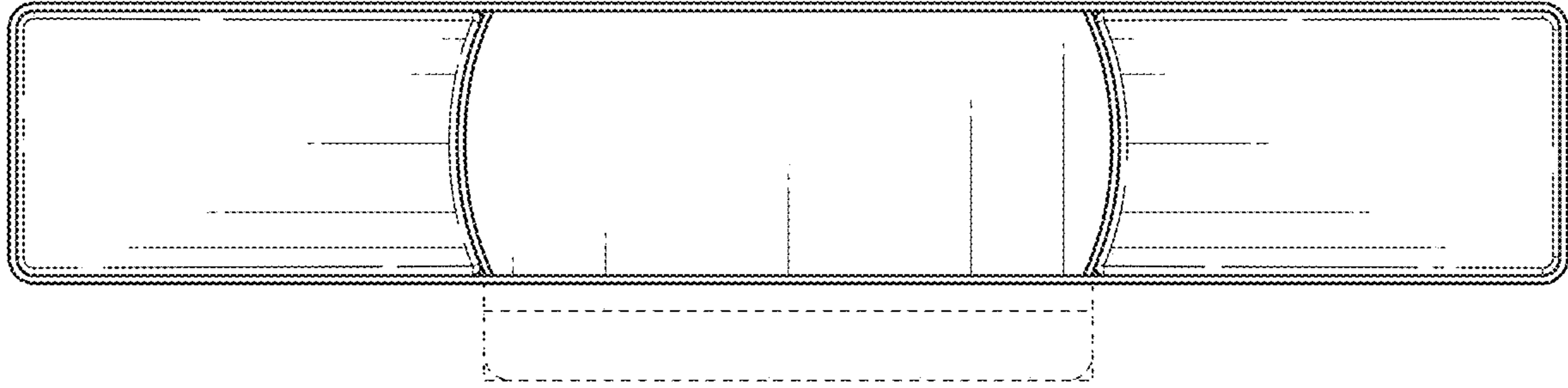


FIG. 2

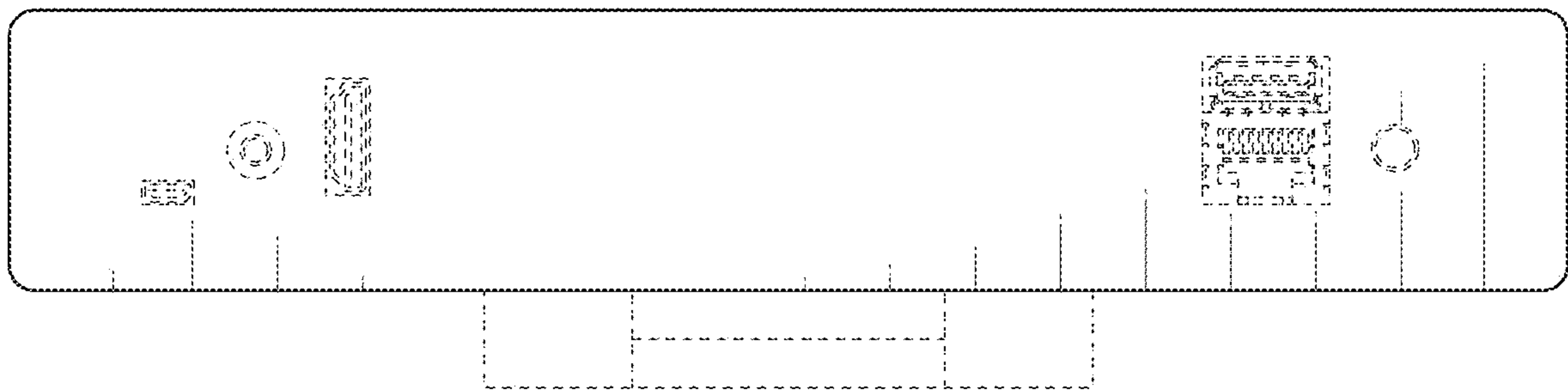


FIG. 3

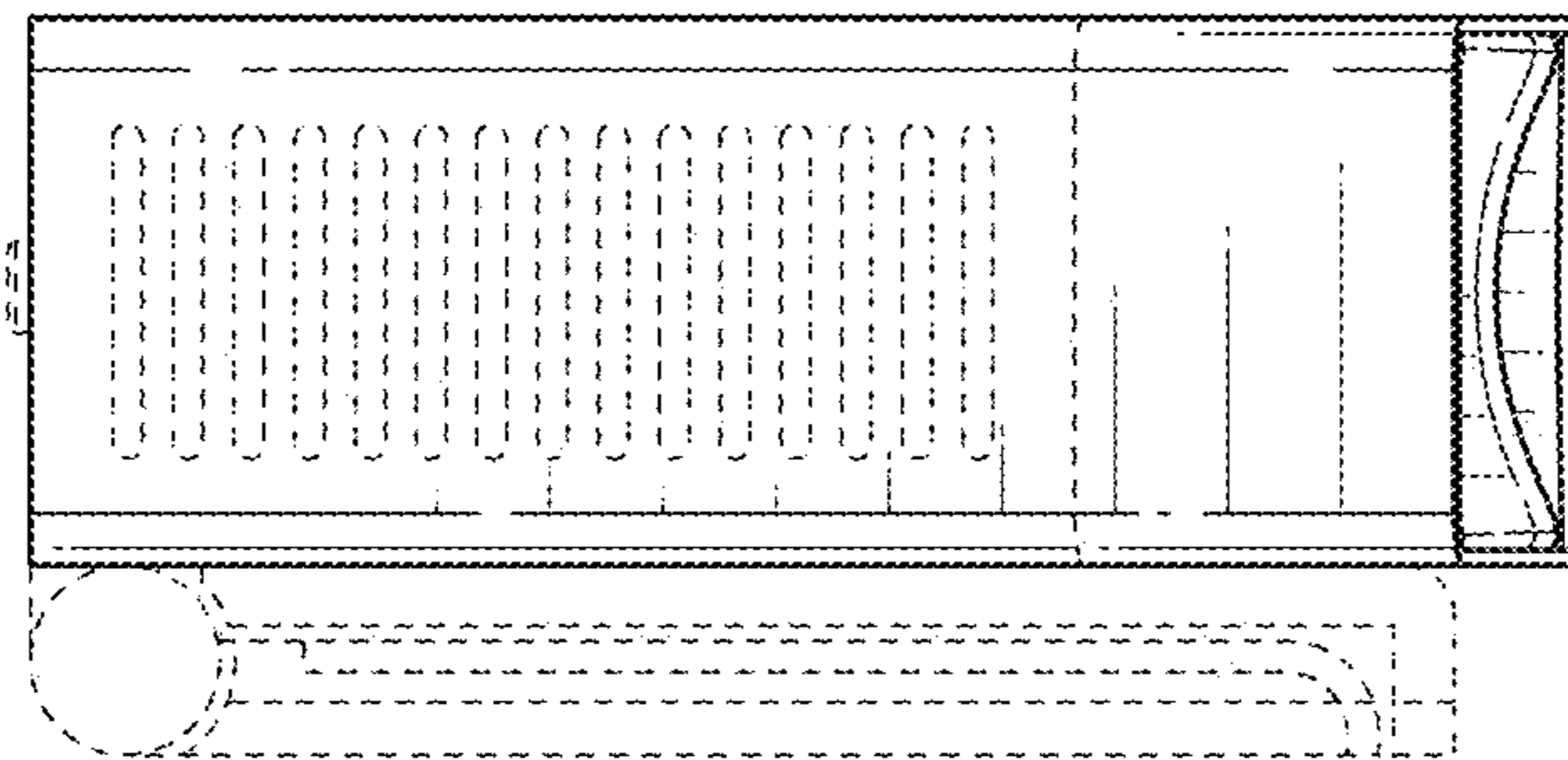


FIG. 4

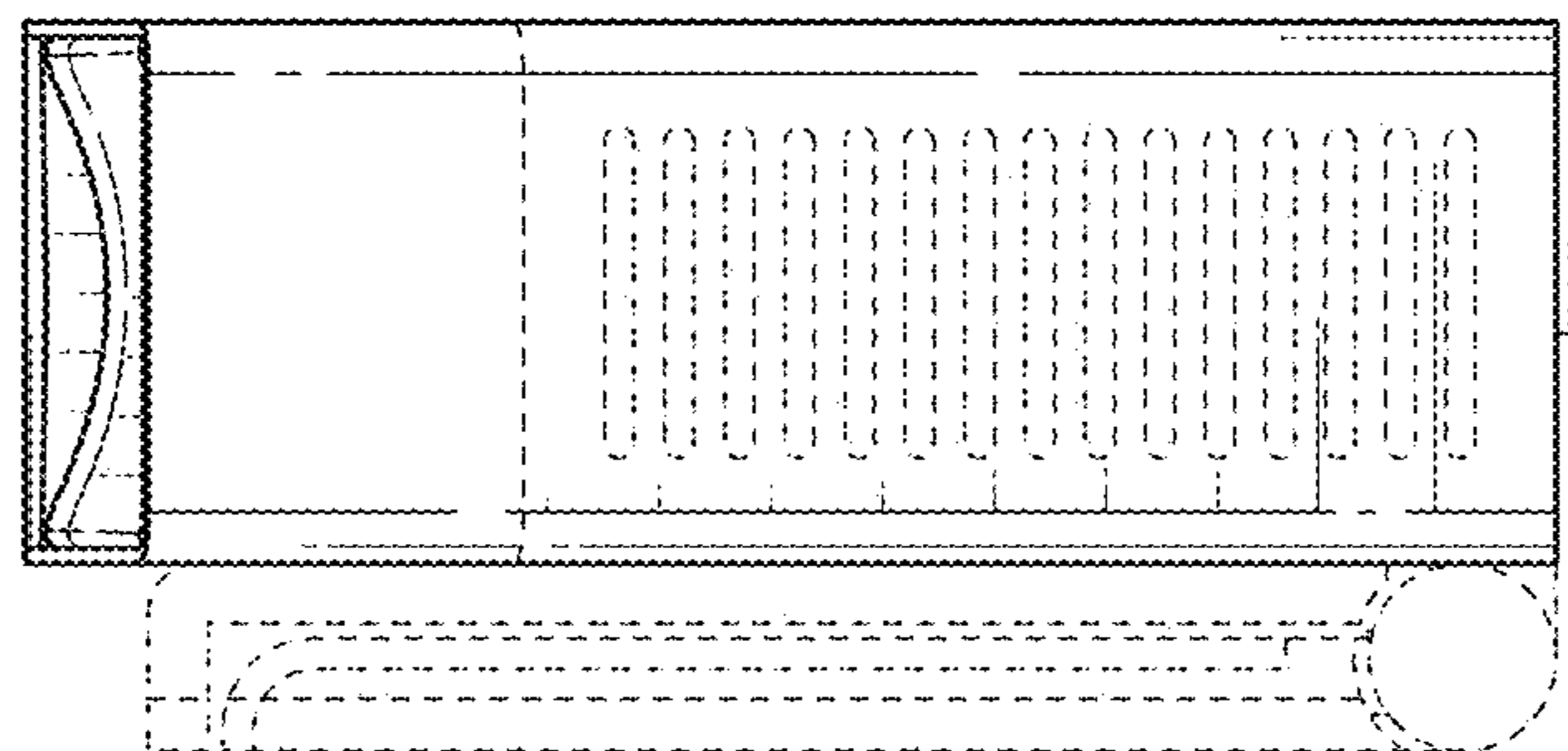


FIG. 5

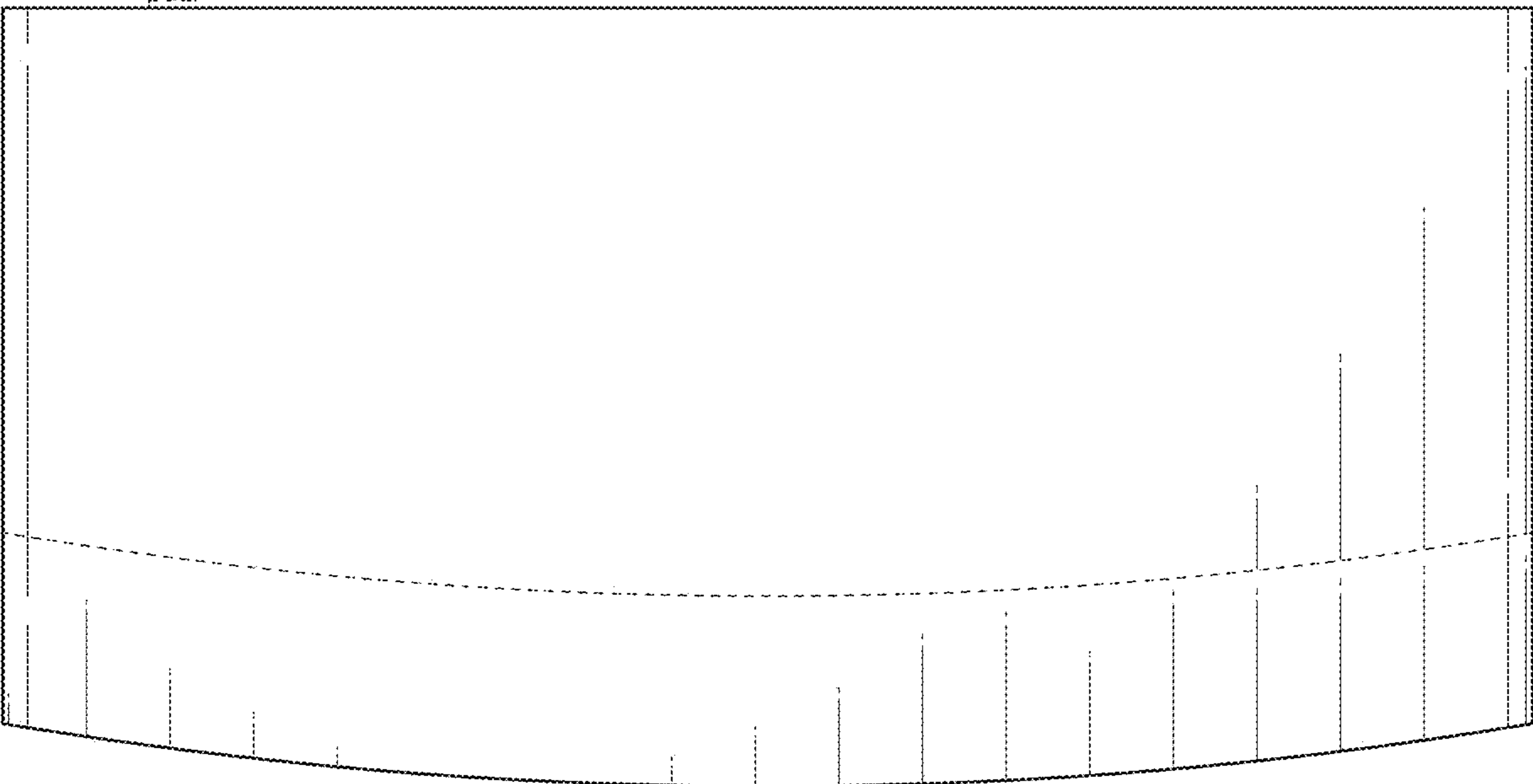


FIG. 6

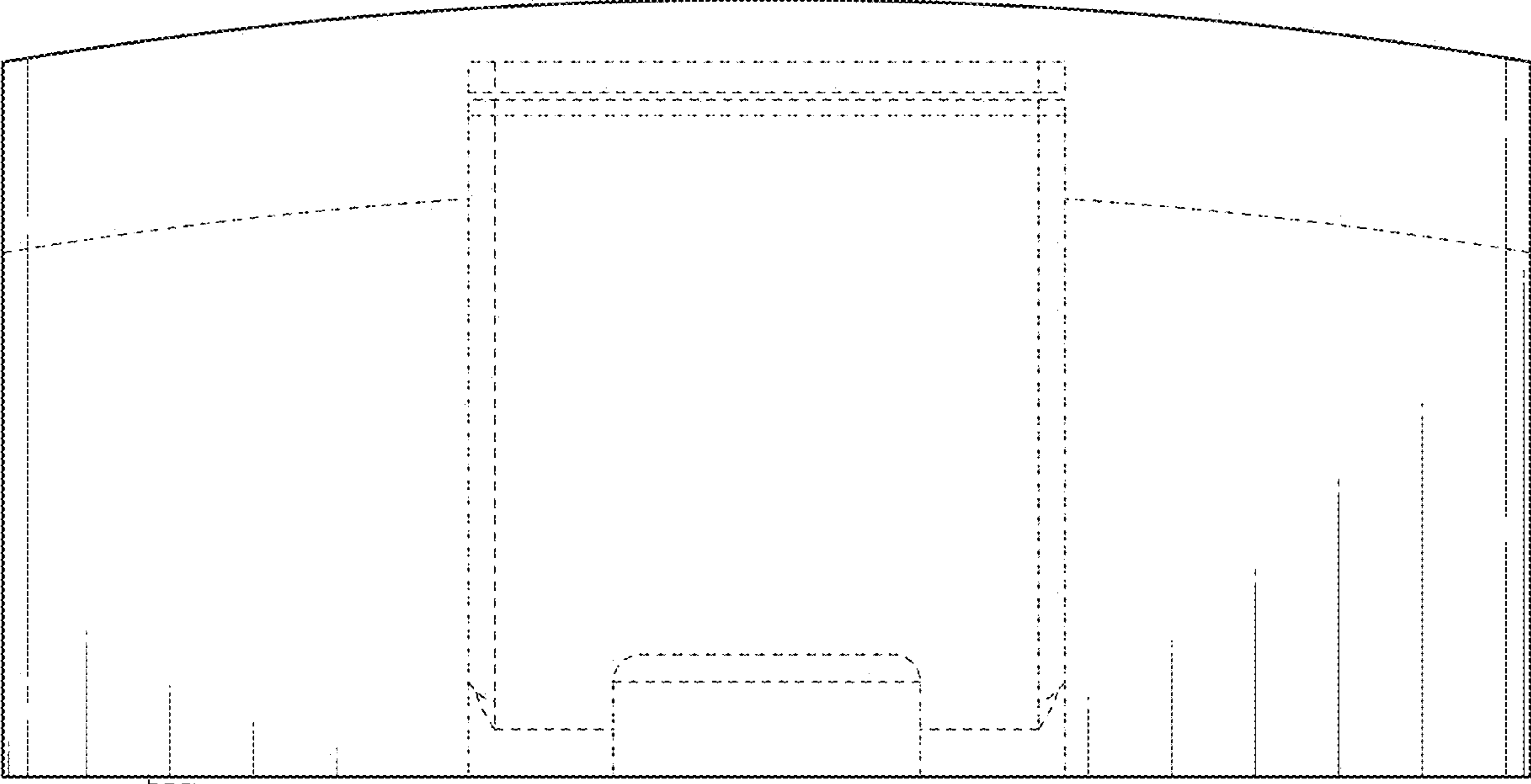


FIG. 7