



US00D907088S

(12) **United States Design Patent**
Gavish

(10) **Patent No.:** **US D907,088 S**
(45) **Date of Patent:** **** Jan. 5, 2021**

(54) **MAGNIFYING GLASS FOR MOBILE PHONE**

OTHER PUBLICATIONS

(71) Applicant: **MyCrops Technologies LTD,**
Ness-Ziona (IL)

Gearbest, Prior to Feb. 2019, https://www.gearbest.com/other-cell-phone-accessories/pp_1496754.html#anchorGoodsReviews.*

(72) Inventor: **Assaf Reuven Gavish,** Rehovot (IL)

* cited by examiner

(73) Assignee: **MyCrops Technologies LTD,**
Ness-Ziona (IL)

Primary Examiner — Holly E Thurman

(**) Term: **15 Years**

(57) **CLAIM**

The ornamental design for a magnifying glass for mobile phone, as shown and described.

(21) Appl. No.: **29/661,057**

DESCRIPTION

(22) Filed: **Aug. 24, 2018**

(51) **LOC (13) Cl.** **16-06**

(52) **U.S. Cl.**
USPC **D16/135**

(58) **Field of Classification Search**
USPC D16/130, 134, 135, 136
CPC G01B 3/04
See application file for complete search history.

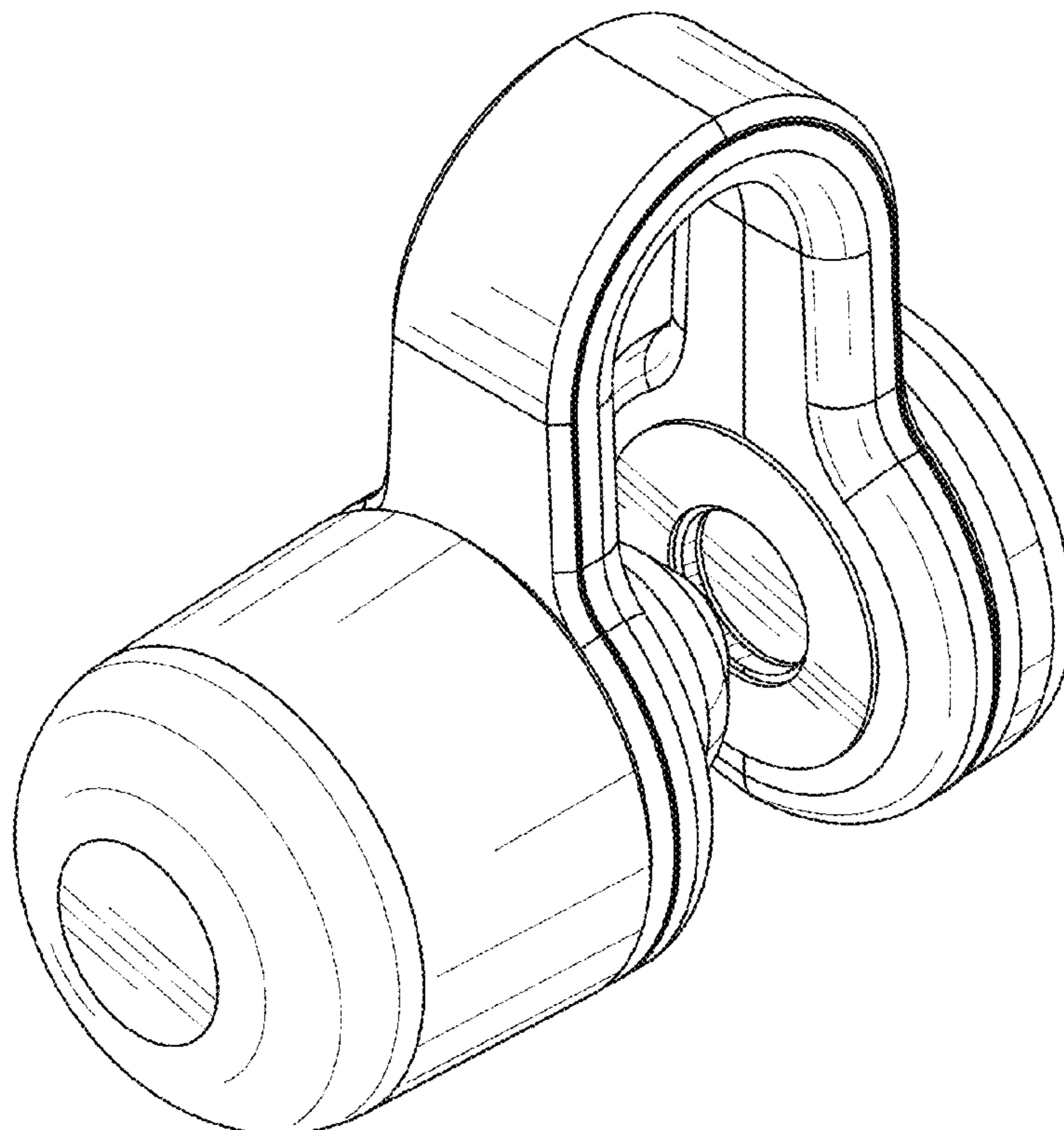
FIG. 1 is a front view of a magnifying glass for mobile phone in accordance with the present invention;
FIG. 2 is a back view of the present invention illustrated in FIG. 1;
FIG. 3 is a right view of the present invention illustrated in FIG. 1;
FIG. 4 is a left view of the present invention illustrated in FIG. 1;
FIG. 5 is a top view of the present invention illustrated in FIG. 1;
FIG. 6 is a rear view of the present invention illustrated in FIG. 1; and,
FIG. 7 is a perspective view of the present invention illustrated in FIG. 1.
The portions of the magnifying glass for mobile phone shown in FIG. 2 in broken lines depict unclaimed portions of the magnifying glass for mobile phone only and form no part of the claimed design.

(56) **References Cited**

U.S. PATENT DOCUMENTS

D471,927 S	*	3/2003	Kim	D14/240
D499,091 S	*	11/2004	Taylor	D14/252
D542,785 S	*	5/2007	Chung	D14/252
D580,424 S	*	11/2008	Wang	D14/248
D669,587 S	*	10/2012	Mayer	D14/250

1 Claim, 4 Drawing Sheets



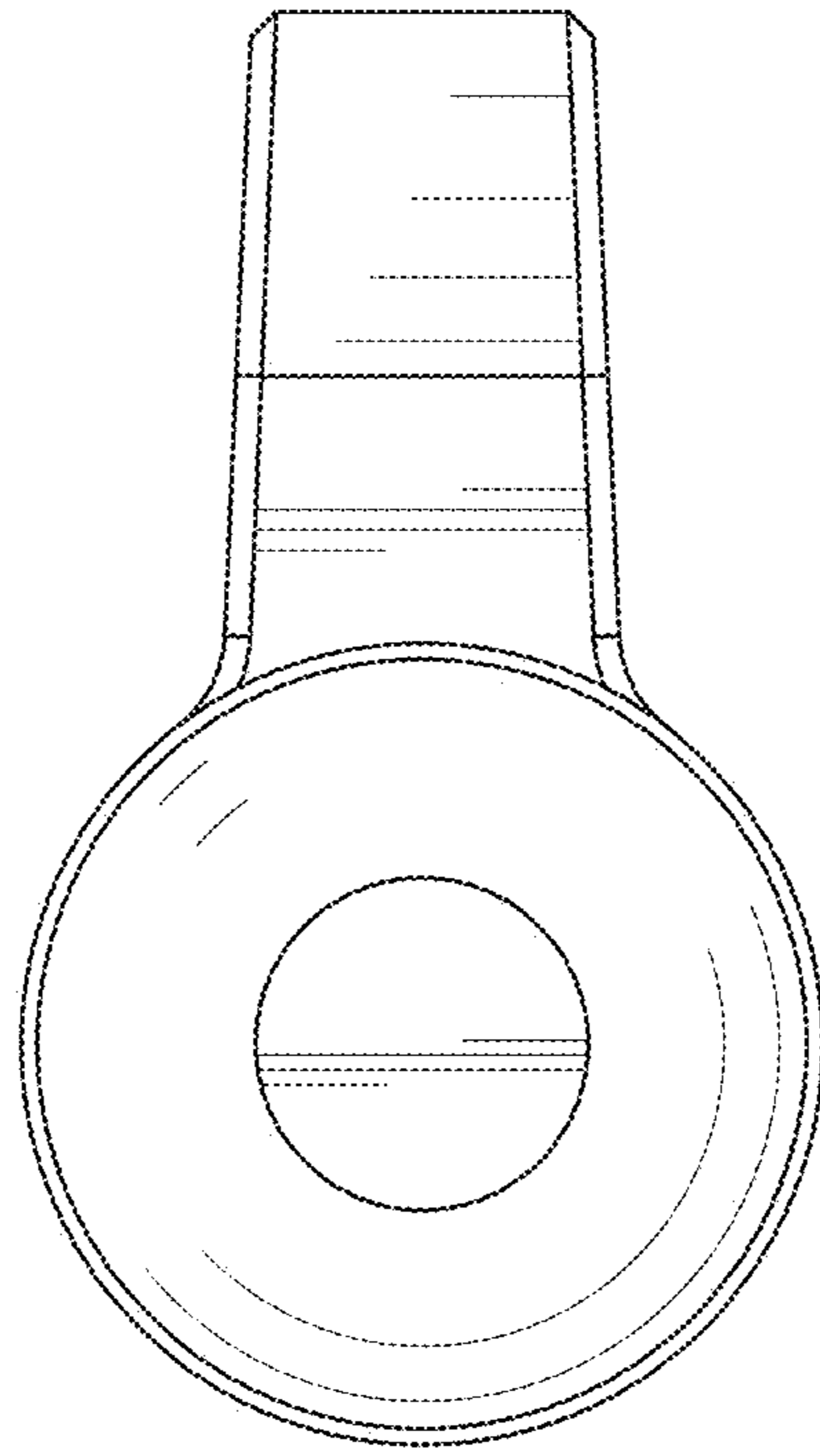


Fig. 1

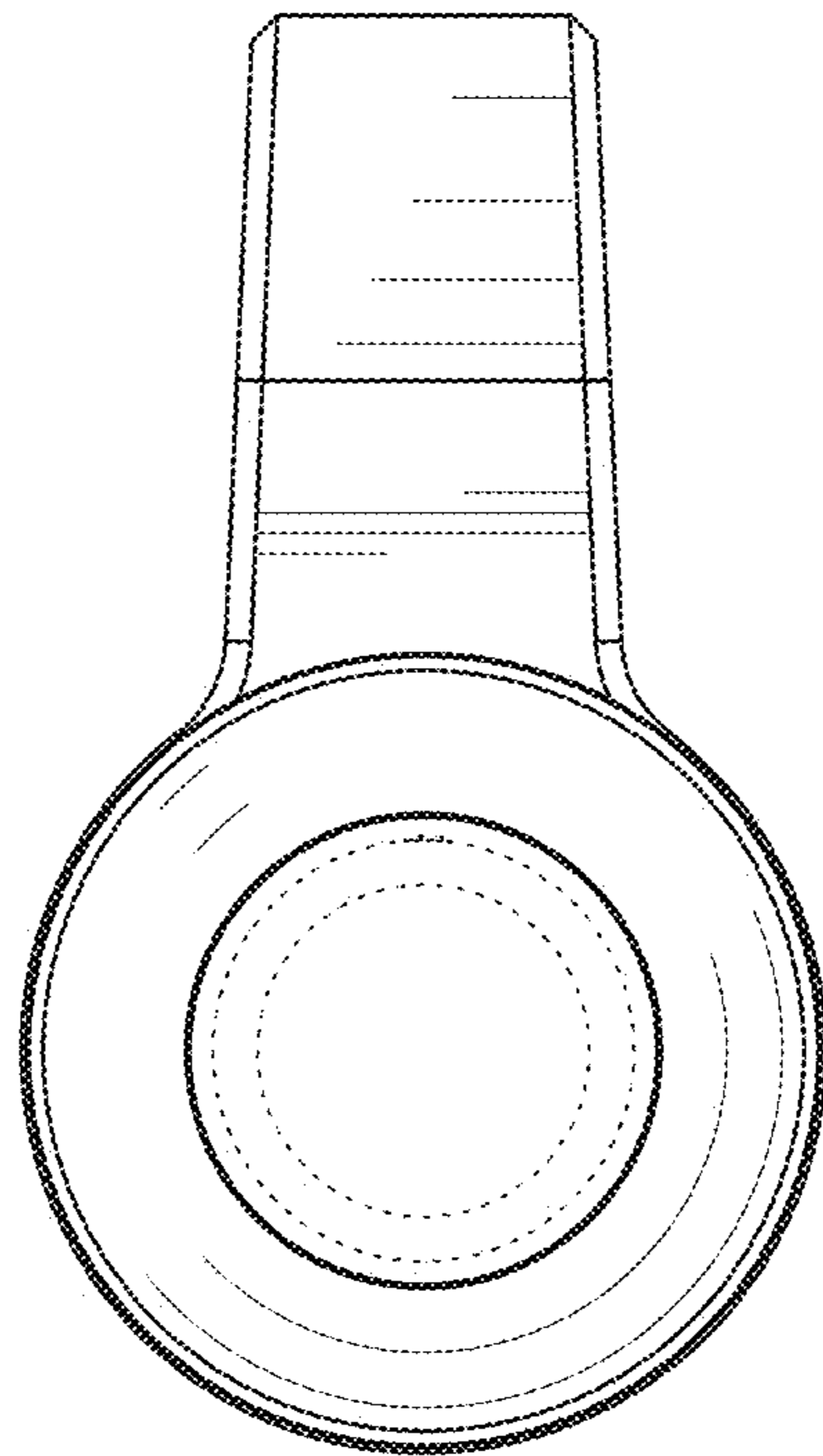


Fig. 2

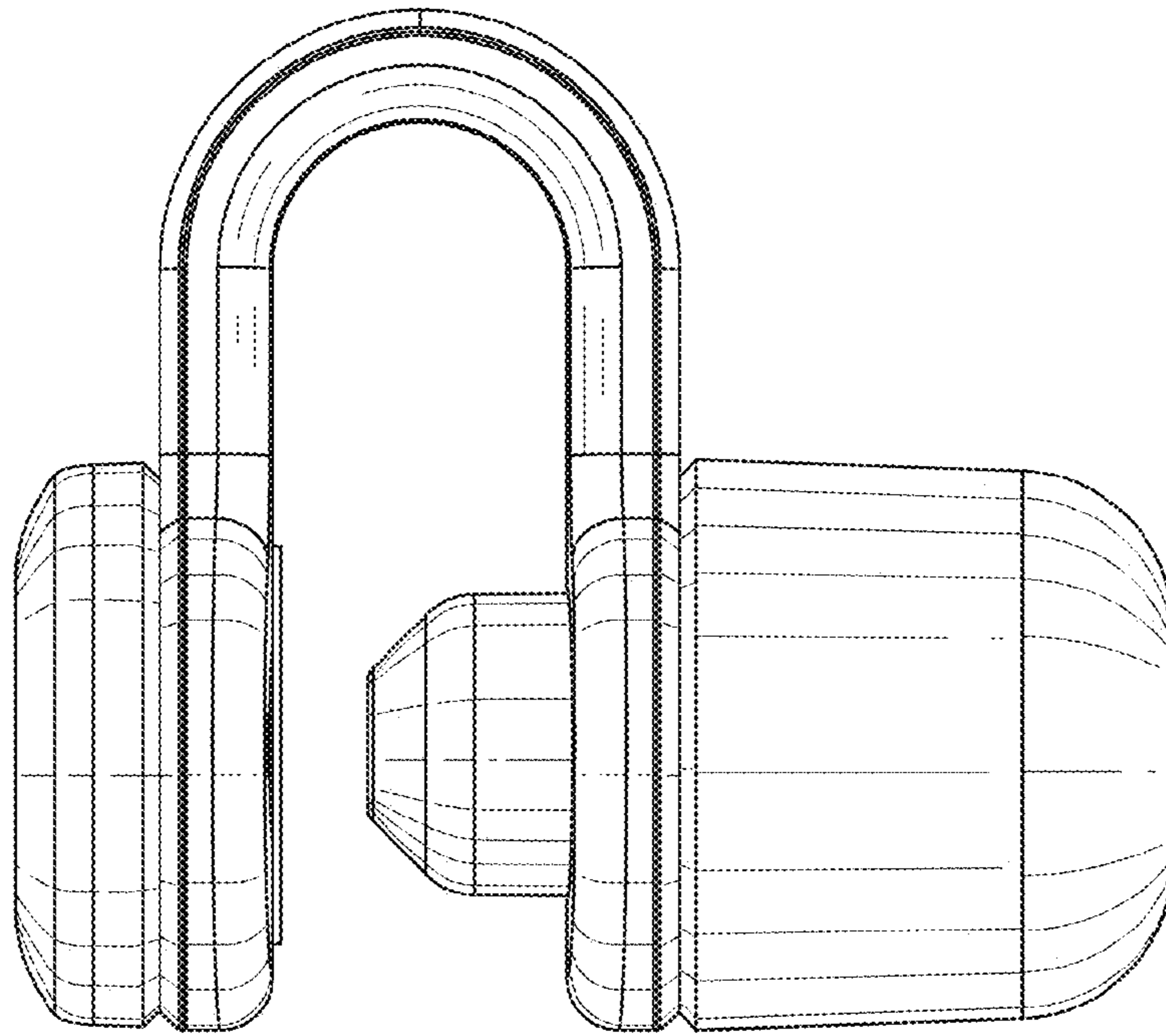


Fig. 3

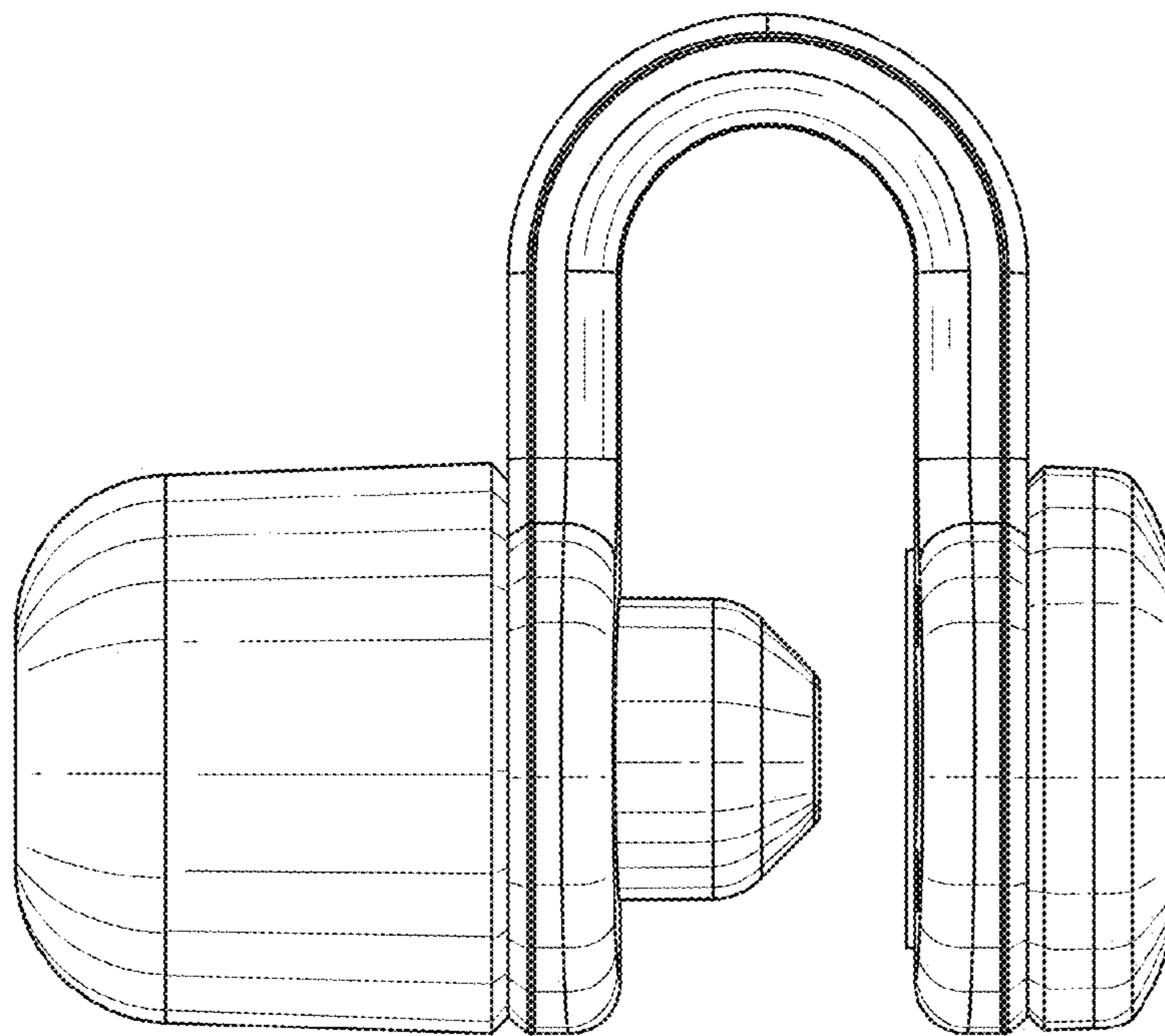


Fig. 4

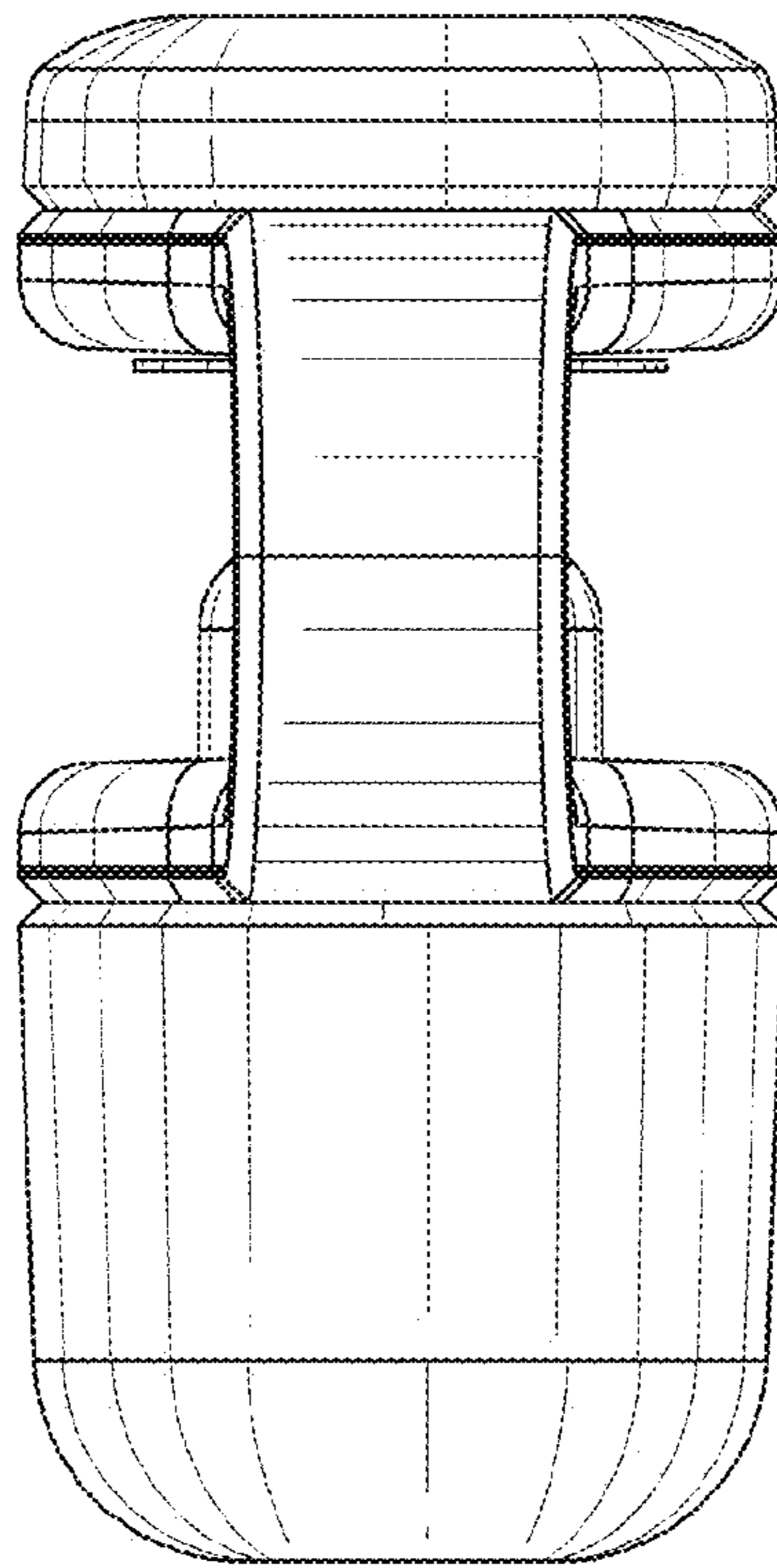


Fig. 5

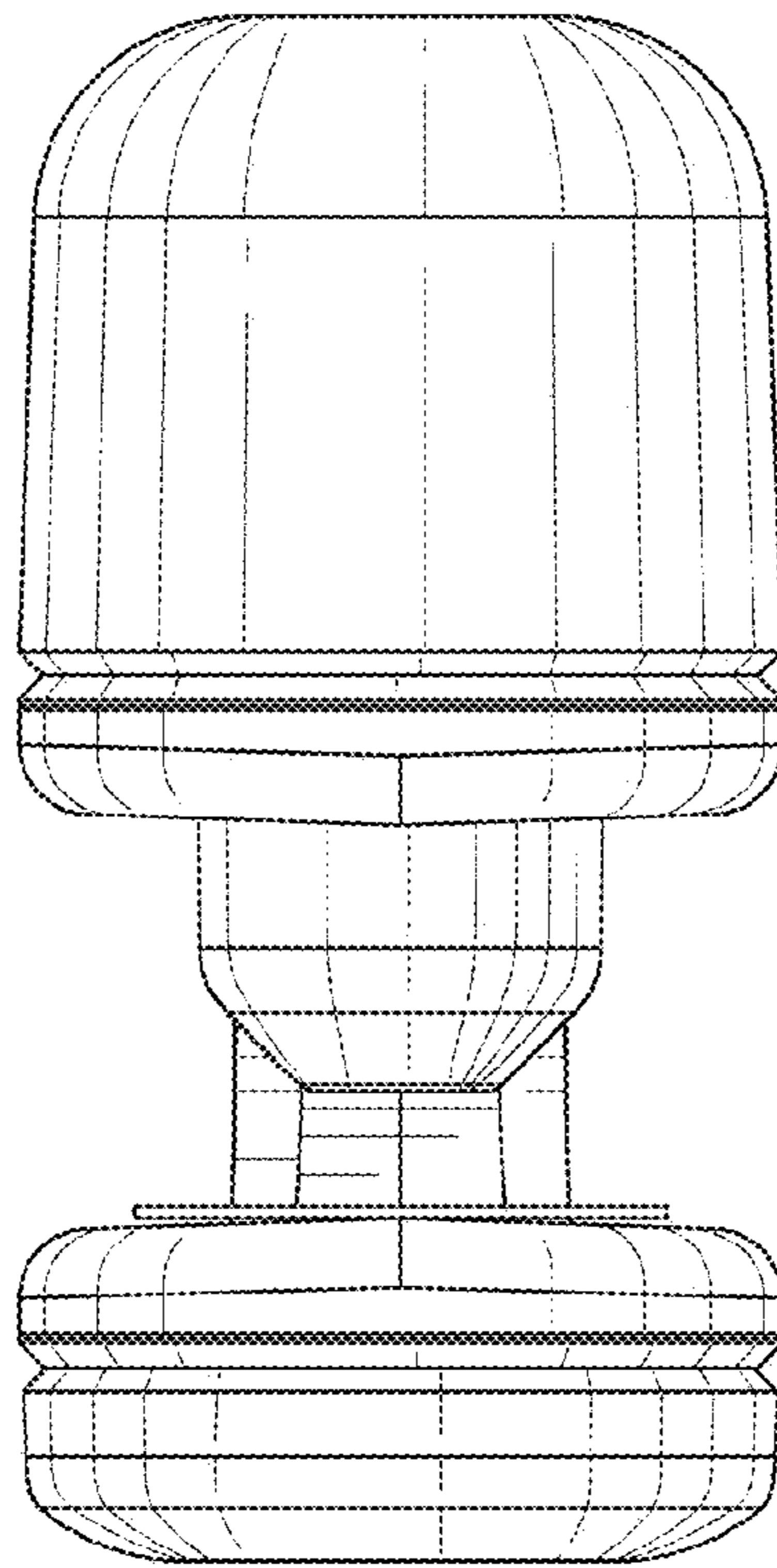


Fig. 6

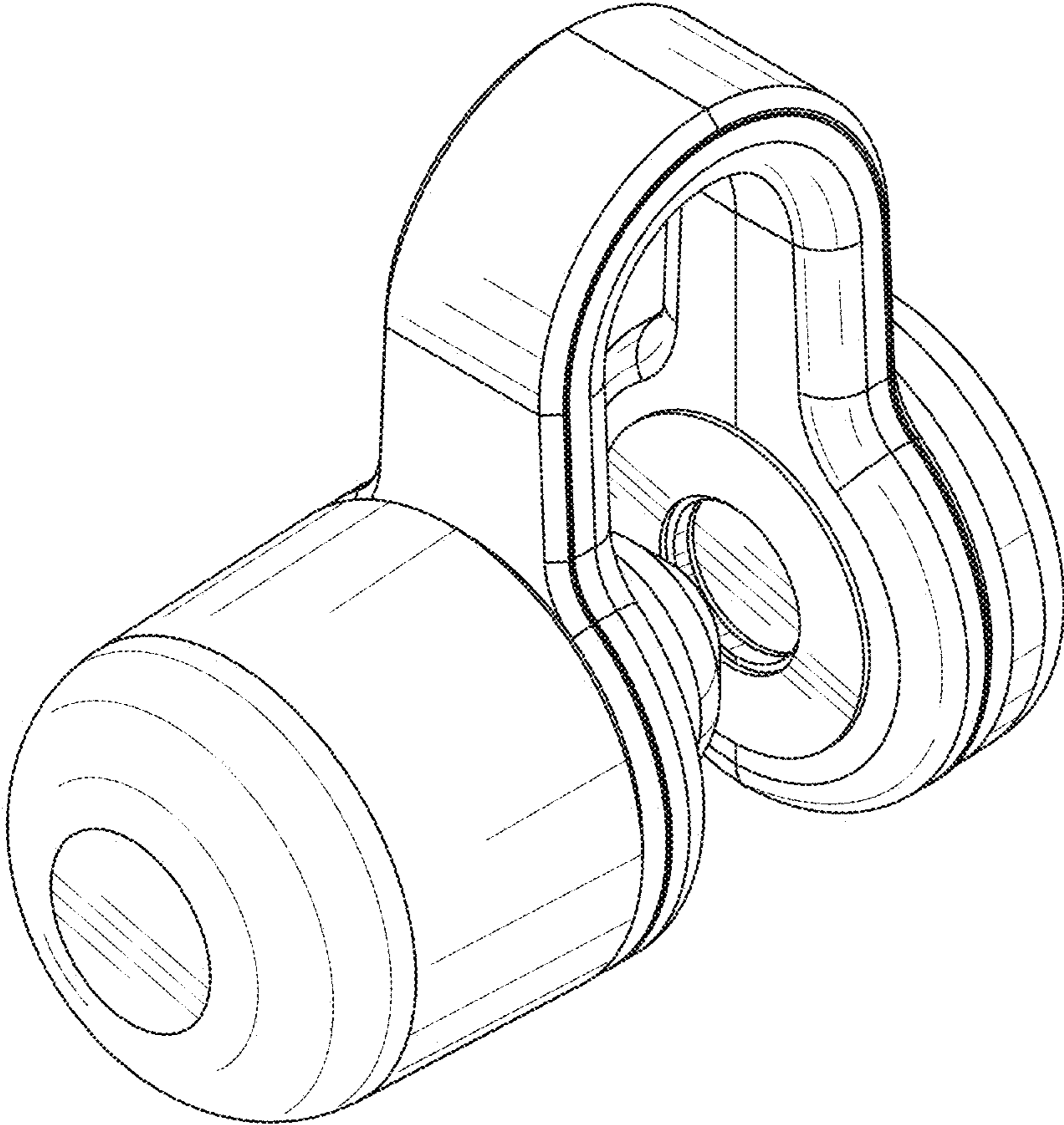


Fig. 7