



US00D907086S

(12) **United States Design Patent**
Apothéloz

(10) **Patent No.:** **US D907,086 S**

(45) **Date of Patent:** **** Jan. 5, 2021**

(54) **MICROSCOPE**

(71) Applicant: **Leica Microsystems CMS GmbH,**
Wetzlar (DE)

(72) Inventor: **Christophe Apothéloz,** Gockhausen
(CH)

(73) Assignee: **LEICA MICROSYSTEMS CMS**
GMBH, Wetzlar (DE)

(**) Term: **15 Years**

(21) Appl. No.: **29/663,793**

(22) Filed: **Sep. 19, 2018**

(30) **Foreign Application Priority Data**

Mar. 19, 2018 (EM) 004764454

(51) **LOC (13) Cl.** **16-06**

(52) **U.S. Cl.**
USPC **D16/131**

(58) **Field of Classification Search**
USPC D16/130, 132, 136, 237, 131; D10/70
CPC G02B 23/16
See application file for complete search history.

(56) **References Cited**

U.S. PATENT DOCUMENTS

D120,877 S *	6/1940	Bailey et al.	D10/46
D148,124 S *	12/1947	Armbruster et al.	D16/131
2,691,918 A *	10/1954	Krasniewicz G02B 21/06	359/363
D191,330 S *	9/1961	Armbruster D16/131	
D195,998 S *	8/1963	Aubock D16/131	
D198,104 S *	4/1964	Armbruster D16/131	
D198,141 S *	5/1964	Armbruster D16/131	
3,205,770 A *	9/1965	Koch G02B 21/364	353/39

D222,621 S *	11/1971	Sherman et al.	D16/131
3,637,283 A *	1/1972	Tasaki G02B 21/22	359/376
D226,283 S *	2/1973	Shield D16/131	
D229,581 S *	12/1973	Armbruster et al.	D16/131
D252,276 S *	7/1979	Griffith D16/131	
D260,402 S *	8/1981	Hodgson D16/131	
D290,129 S *	6/1987	Kahute D16/131	
D291,702 S *	9/1987	Kahute D16/131	
D345,748 S *	4/1994	Holbl D16/131	
D354,761 S *	1/1995	Komatsuzaki D16/131	
D507,006 S *	7/2005	Apotheloz D16/131	
D516,595 S *	3/2006	Apotheloz D16/131	
D518,841 S *	4/2006	Apotheloz D16/131	
D608,810 S *	1/2010	Stoiakine D16/131	
D673,199 S *	12/2012	Muraki D16/131	
D738,415 S *	9/2015	Hofmann D16/131	
D743,463 S *	11/2015	Hofmann D16/131	
D819,104 S *	5/2018	Stohr D16/131	
D849,816 S *	5/2019	Klein D16/131	
D859,487 S *	9/2019	Chen D16/131	
D862,556 S *	10/2019	Apotheloz D16/131	
D866,630 S *	11/2019	Chen D16/131	

* cited by examiner

Primary Examiner — Holly E Thurman

(74) *Attorney, Agent, or Firm* — Lathrop GPM LLP

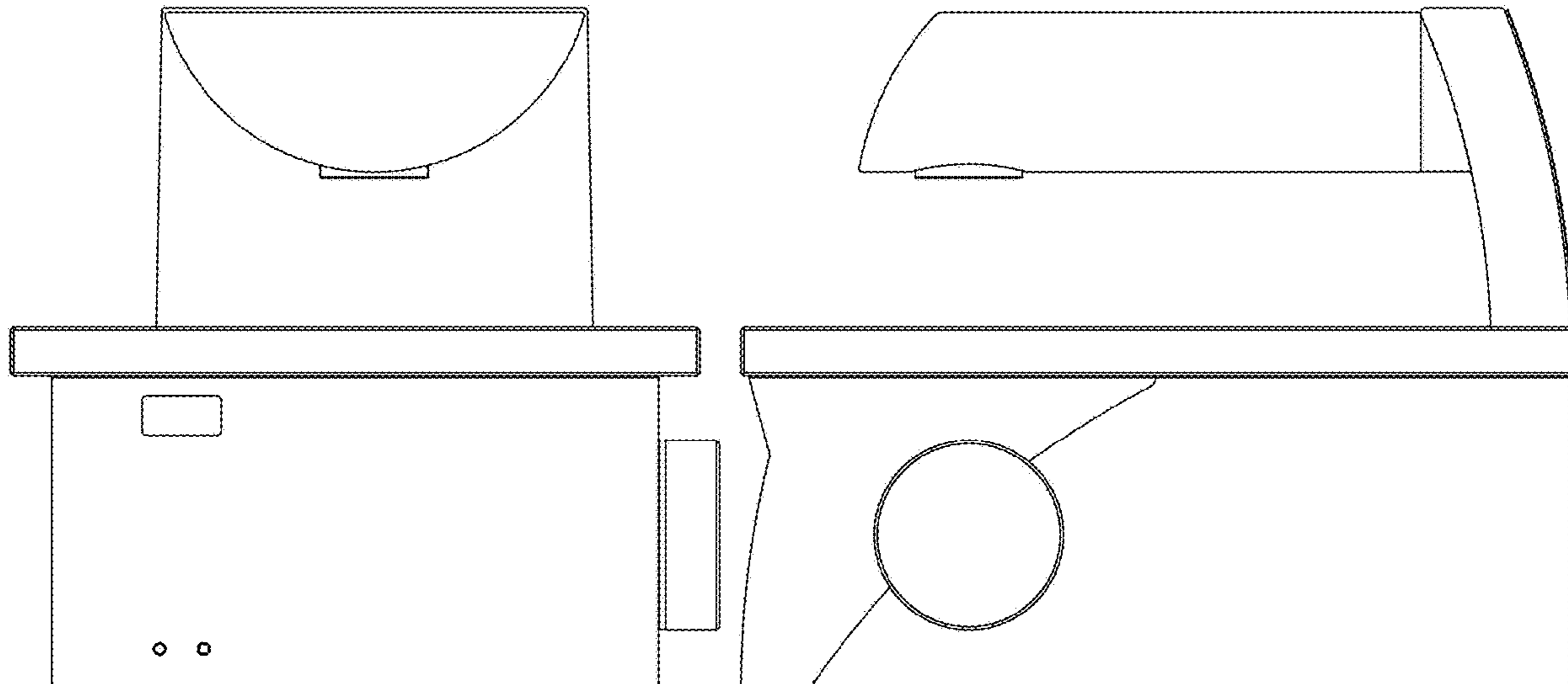
(57) **CLAIM**

The ornamental design for a microscope, as shown and described.

DESCRIPTION

FIG. 1 is a front view of a microscope, according to the new design;
FIG. 2 is a rear view of the microscope of FIG. 1;
FIG. 3 is a left side view of the microscope of FIG. 1;
FIG. 4 is a right side view of the microscope of FIG. 1;
FIG. 5 is a top view of the microscope of FIG. 1; and,
FIG. 6 is a bottom view of the microscope of FIG. 1.

1 Claim, 6 Drawing Sheets



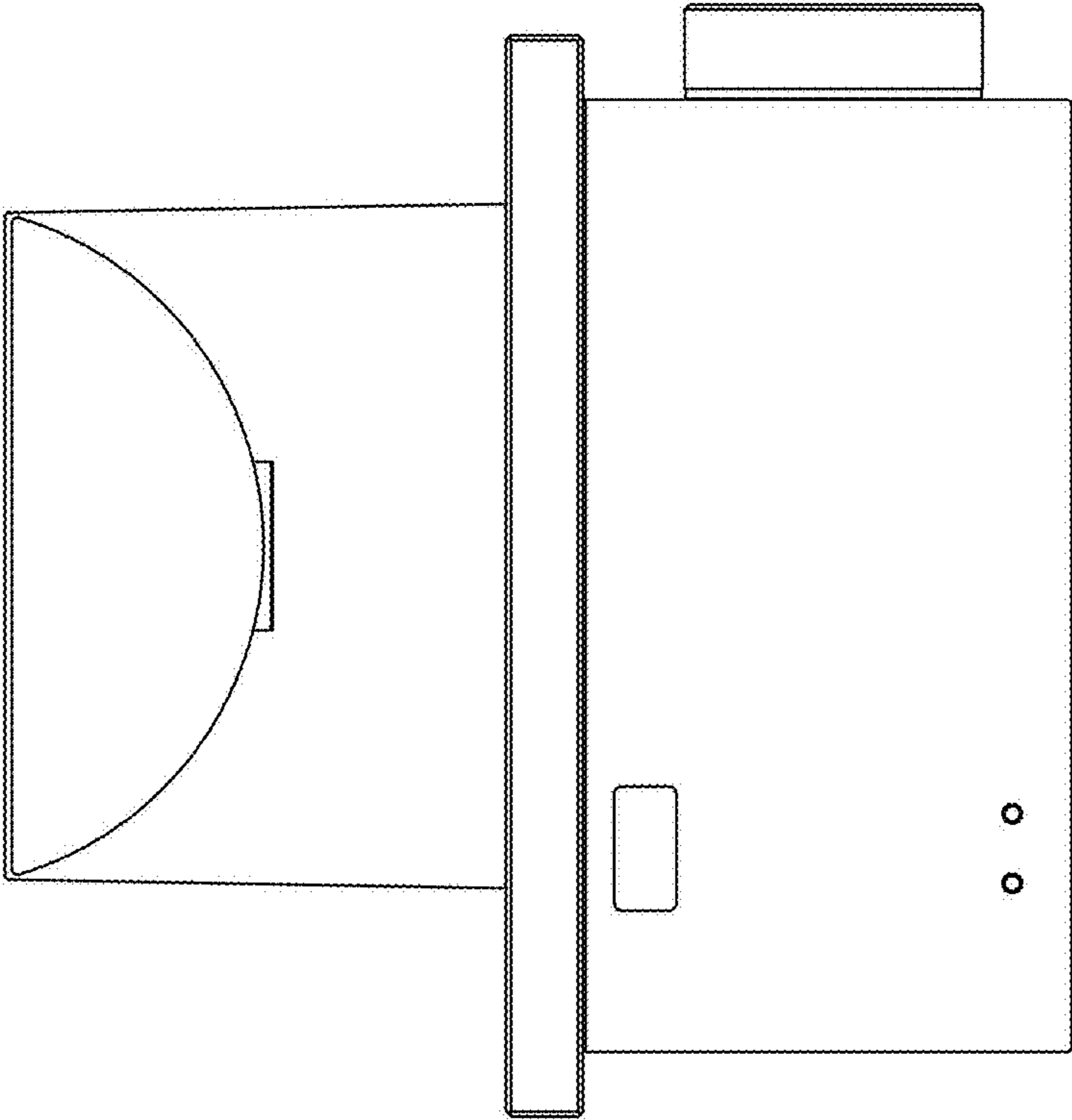


FIG. 1

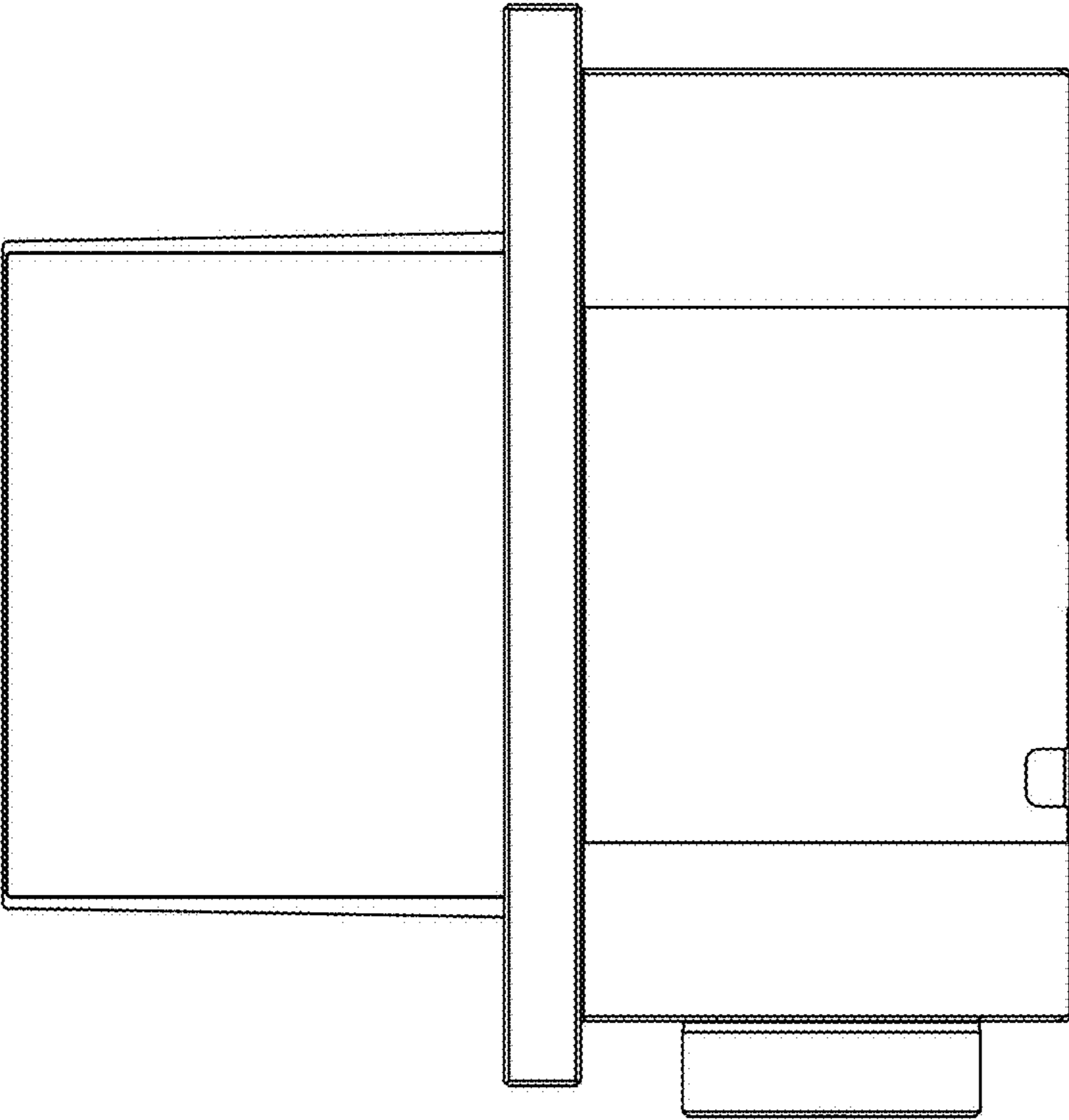


FIG. 2

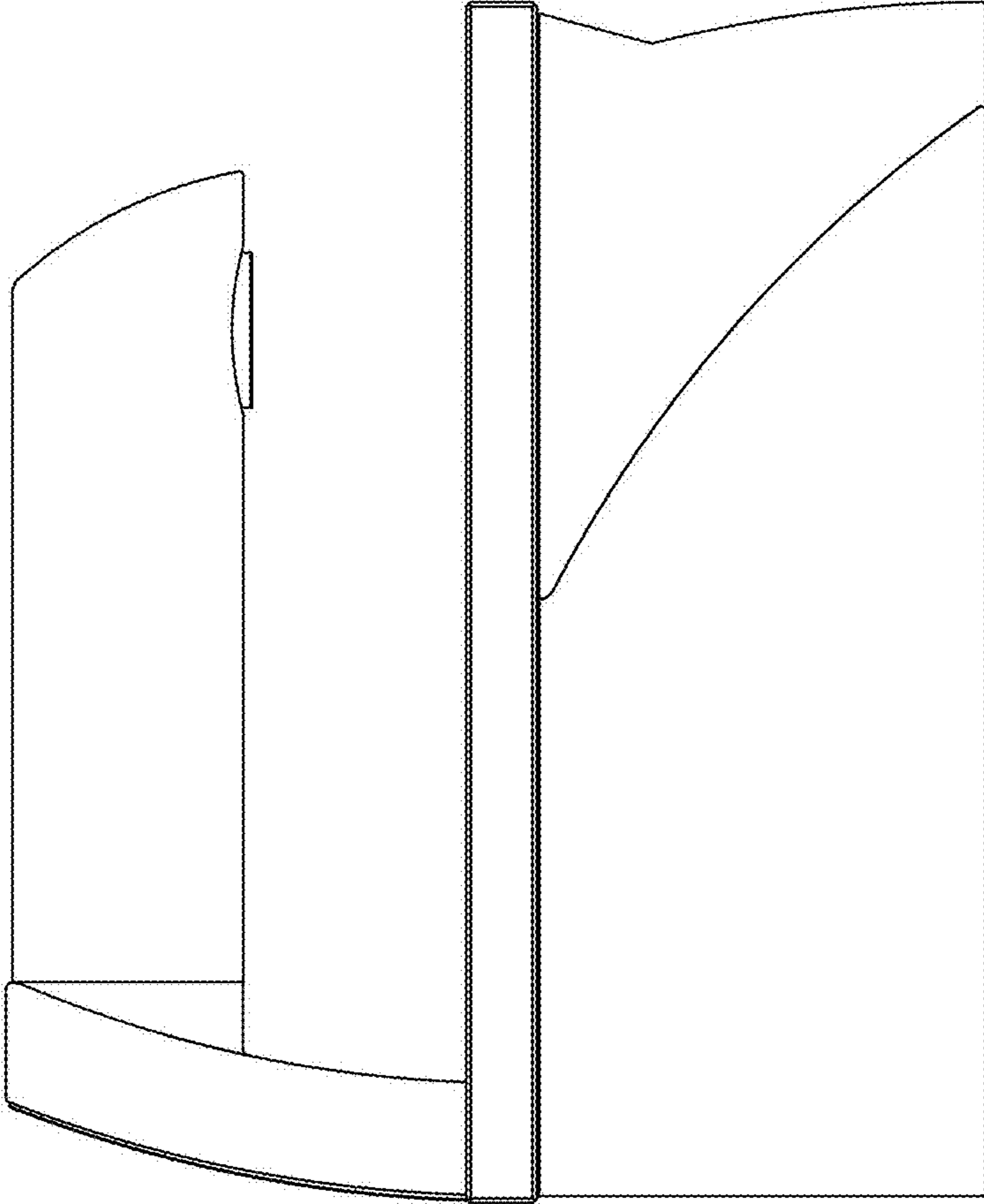


FIG. 3

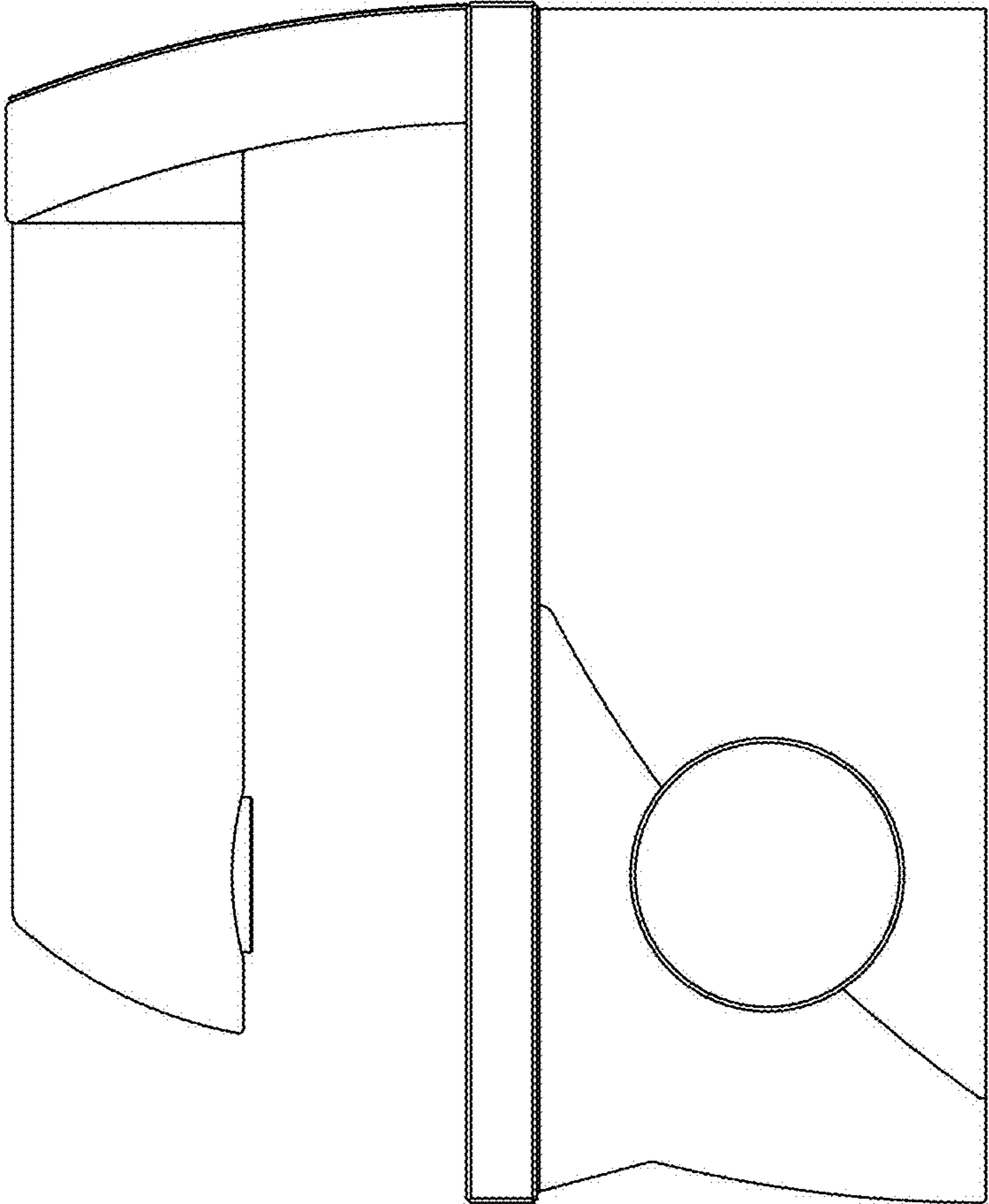


FIG. 4

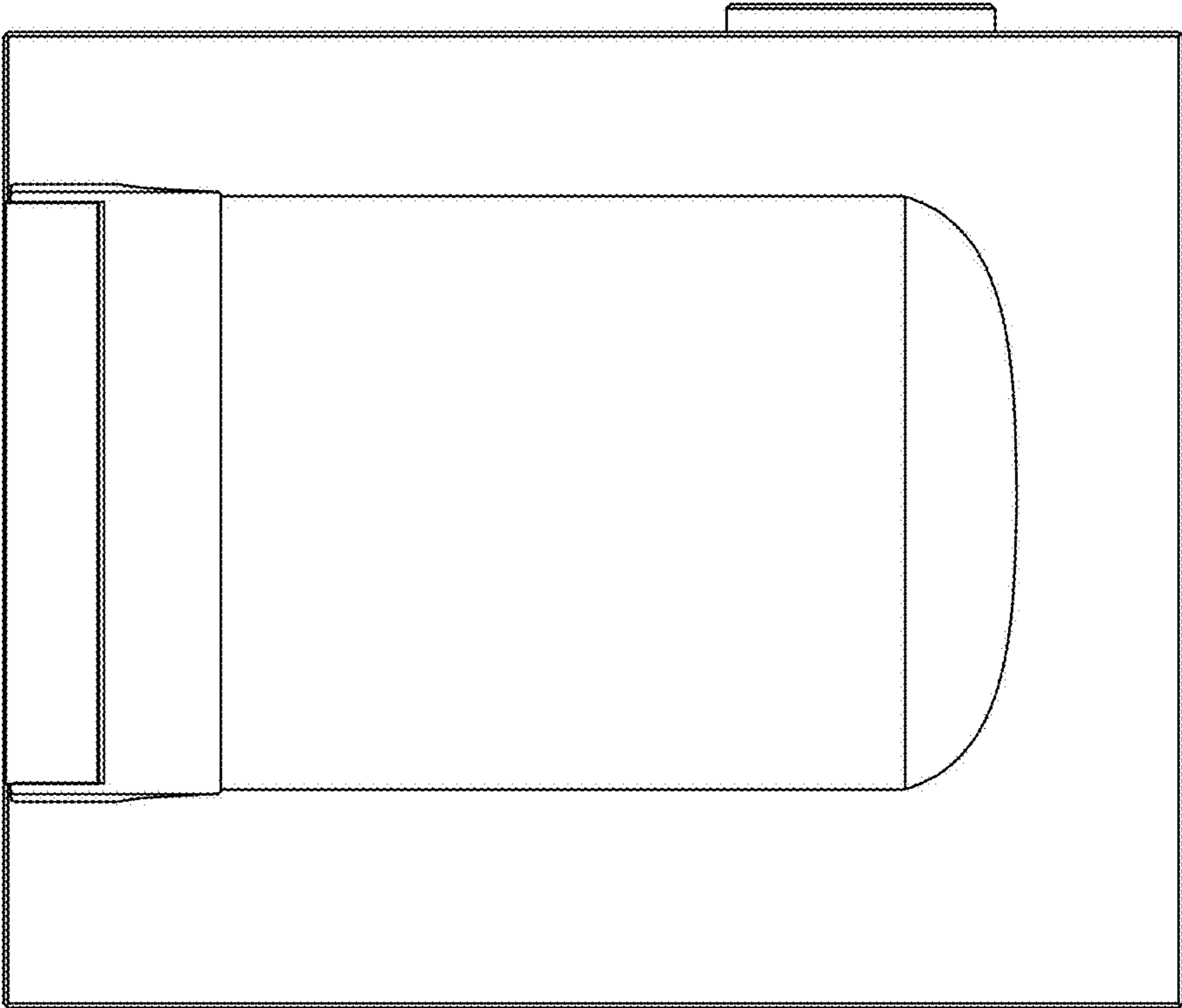


FIG. 5

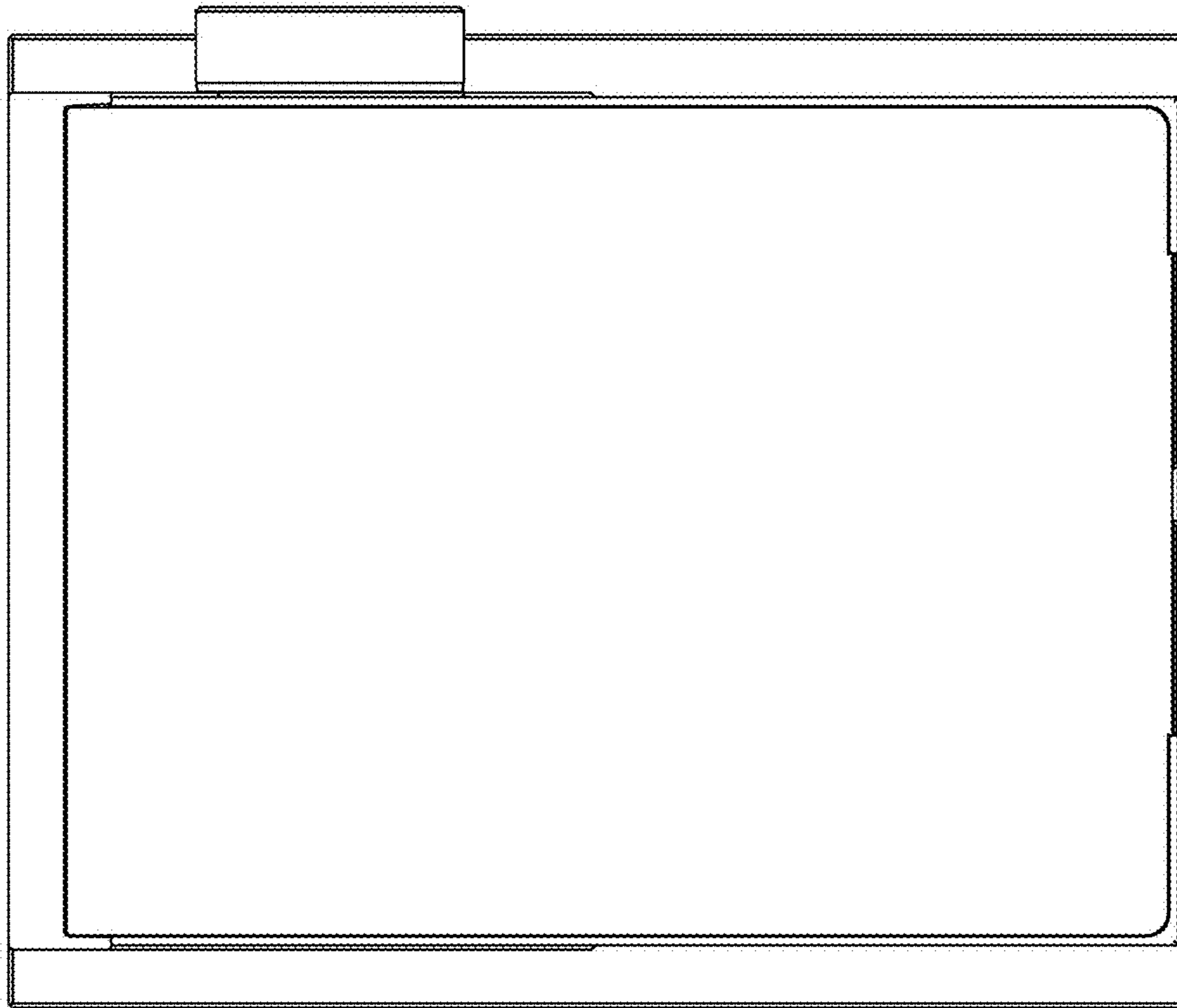


FIG. 6