



US00D907085S

(12) **United States Design Patent**
Suzuki

(10) **Patent No.:** **US D907,085 S**

(45) **Date of Patent:** **** Jan. 5, 2021**

(54) **LASER BEAM REFLECTOR**

(71) Applicant: **HAMAMATSU PHOTONICS K.K.**,
Hamamatsu (JP)

(72) Inventor: **Daiki Suzuki**, Hamamatsu (JP)

(73) Assignee: **HAMAMATSU PHOTONICS K.K.**,
Hamamatsu (JP)

(**) Term: **15 Years**

(21) Appl. No.: **29/668,504**

(22) Filed: **Oct. 31, 2018**

(30) **Foreign Application Priority Data**

May 1, 2018 (JP) 2018-009720
May 1, 2018 (JP) 2018-009729

(51) **LOC (13) Cl.** **16-99**

(52) **U.S. Cl.**
USPC **D16/130**

(58) **Field of Classification Search**
USPC D16/130, 131, 136, 221, 223, 225, 232,
D16/235, 248, 250; D10/46, 46.2, 47,
D10/50, 57, 72, 74, 76, 78, 80, 100, 102,
D10/103, 124, 125; D24/133, 137, 138,
D24/127, 113; D13/180, 134
CPC . F16B 2/06; F16B 2/10; F01D 21/003; G02B
26/085

See application file for complete search history.

(56) **References Cited**

U.S. PATENT DOCUMENTS

D175,401 S * 8/1955 Gottshalk D16/235
D271,208 S * 11/1983 Daggett D16/230
D276,240 S * 11/1984 Bonnefoy D16/225
4,859,029 A * 8/1989 Durell G02B 5/3066
359/629

(Continued)

OTHER PUBLICATIONS

Ushiro, Kosuke, et al., "Development and Verification for Next Generation System of Surrounding Environment Recognition Technology—Third Report: System Architecture of MEMS Scanning 3D Range Sensor—(Exhibit 1)", http://www.jari.or.jp/Portals/0/resource/JRJ_q/JRJ20171103_q.pdf, Nov. 3, 2017.

(Continued)

Primary Examiner — Mark A Goodwin

Assistant Examiner — Benjamin M Weeks

(74) *Attorney, Agent, or Firm* — Faegre Drinker Biddle & Reath LLP

(57) **CLAIM**

The ornamental design for a laser beam reflector, as shown and described.

DESCRIPTION

FIG. 1 is a front view of a laser beam reflector of the present invention;

FIG. 2 is a rear view thereof;

FIG. 3 is a top plan view thereof;

FIG. 4 is a bottom plan view thereof;

FIG. 5 is a right side view thereof;

FIG. 6 is a left side view thereof;

FIG. 7 is a front, top plan and left side perspective view thereof;

FIG. 8 is a front, bottom plan and left side perspective view thereof;

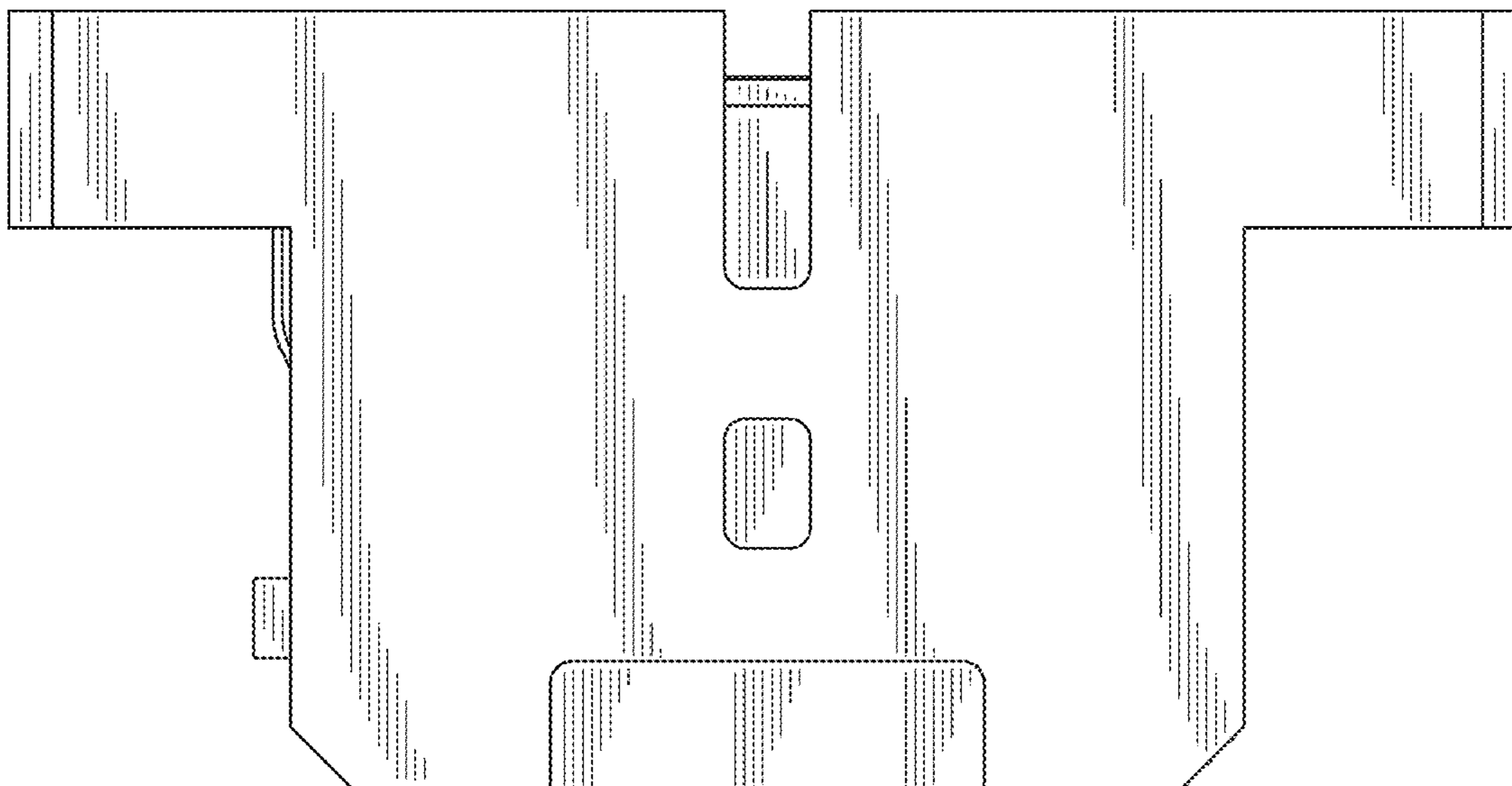
FIG. 9 is a cross-sectional view along the line 9-9 in FIG. 3;

FIG. 10 is a cross-sectional view along the line 10-10 in FIG. 3; and,

FIG. 11 is a front, top plan and left side perspective view thereof in the state of use.

The features shown in broken lines depict environmental subject matter only and form no part of the claimed design.

1 Claim, 11 Drawing Sheets



(56)

References Cited

U.S. PATENT DOCUMENTS

D304,952 S * 12/1989 Fukuda D16/225
 5,132,509 A 7/1992 Hayakawa
 5,629,790 A * 5/1997 Neukermans G02B 26/0841
 250/234
 6,002,507 A * 12/1999 Floyd G02B 26/0833
 359/201.1
 6,122,089 A * 9/2000 Minamoto G02B 26/105
 359/198.1
 6,128,122 A * 10/2000 Drake G02B 7/1821
 359/198.1
 6,154,522 A 11/2000 Cumings
 6,232,861 B1 * 5/2001 Asada B81B 3/0062
 335/222
 6,426,013 B1 * 7/2002 Neukermans B82Y 15/00
 216/24
 6,528,887 B2 * 3/2003 Daneman B81B 3/0008
 257/731
 RE38,437 E * 2/2004 Floyd G02B 26/0833
 359/201.1
 6,781,732 B2 * 8/2004 Cho, II B81B 3/0021
 359/224.1
 6,791,731 B2 * 9/2004 Ryu G02B 26/085
 359/200.7
 6,803,938 B2 * 10/2004 Turner B41J 2/471
 347/237
 D502,953 S * 3/2005 Kerrod D16/130
 6,897,990 B2 * 5/2005 Yagi G02B 26/085
 359/199.3
 6,900,925 B2 * 5/2005 Kato G02B 26/085
 348/E5.141
 6,903,818 B2 6/2005 Cerni et al.
 6,924,915 B2 * 8/2005 Hirose B81B 3/0018
 310/36
 6,949,996 B2 * 9/2005 Matsumoto B81B 3/0062
 200/181
 7,012,737 B2 * 3/2006 Iwasaki G02B 26/085
 359/224.1
 D528,997 S * 9/2006 Jung D13/180
 7,224,507 B2 * 5/2007 Kamiya G02B 26/0833
 359/200.7
 7,230,743 B2 * 6/2007 Matsuo G02B 26/085
 359/200.7
 7,256,926 B2 * 8/2007 Kamiya G02B 26/0833
 359/224.1
 7,391,222 B2 * 6/2008 Nishio G02B 26/085
 324/658
 7,408,690 B2 * 8/2008 Mizoguchi G02B 26/085
 310/36
 7,605,965 B2 10/2009 Tani et al.
 D689,209 S * 9/2013 Donofrio D13/180
 D725,051 S * 3/2015 Kao D13/180
 D740,240 S * 10/2015 Chen D13/180
 9,258,486 B2 * 2/2016 Hu H04N 5/2328
 9,322,654 B2 4/2016 Bockem

D762,183 S * 7/2016 Kim D13/180
 9,453,721 B2 9/2016 Akita et al.
 9,477,078 B2 * 10/2016 Murata H02K 33/16
 9,482,864 B2 * 11/2016 Shimizu G02B 26/085
 D777,121 S * 1/2017 Panaccione D13/180
 9,547,170 B2 * 1/2017 Hino G02B 26/105
 D778,849 S * 2/2017 Maruyama D13/180
 D782,425 S * 3/2017 Ko D13/180
 9,632,309 B2 * 4/2017 Yasuda G02B 26/085
 9,681,015 B2 * 6/2017 Mizoguchi H04N 1/036
 D791,963 S 7/2017 Orcutt
 9,729,038 B2 * 8/2017 Takimoto G02B 26/0816
 9,798,135 B2 * 10/2017 Erlich G02B 26/0833
 9,846,076 B2 * 12/2017 Shibayama G01J 3/26
 D807,945 S * 1/2018 Otsuka D16/235
 D813,692 S * 3/2018 Dugarry D10/46
 9,952,158 B2 * 4/2018 Ito G01N 21/658
 9,953,729 B2 * 4/2018 Watari G21B 3/006
 10,054,439 B2 8/2018 Jensen et al.
 D829,580 S * 10/2018 Hirose D10/81
 D841,590 S * 2/2019 Otsuka D13/134
 D846,512 S * 4/2019 Nishio D13/180
 10,295,852 B2 * 5/2019 Wada G02F 1/1333
 10,330,923 B2 * 6/2019 Hino G02B 26/101
 D871,412 S 12/2019 Aprile et al.
 D876,525 S * 2/2020 Sun D16/237
 10,549,981 B2 * 2/2020 Takimoto B81B 3/001
 10,589,985 B2 * 3/2020 Takimoto B81B 7/0006
 10,591,719 B2 * 3/2020 Byeman H04N 9/3129

OTHER PUBLICATIONS

“Autonomous driving & ADAS (Exhibit 2)”, http://www.hamamatsu.com/eu/en/community/optical_sensors/applications/autonomous_driving_adas/index.html, Nov. 22, 2017.
 “Products (Exhibit 3)”, http://www.hamamatsu.com/us/en/community/optical_sensors/photonics_west/products/index.html, Dec. 16, 2017.
 “Photograph (Exhibit 4-1)”, Hamamatsu Photonics K.K., Jan. 30 to Feb. 1, 2018.
 “Photonics West 2018 Technical Program (Exhibit 4-2)”, SPIE, Jan. 27 to Feb. 1, 2018.
 “Product Flyer MEMS mirror S13124-02H (Exhibit 4-3)”, Hamamatsu Photonics K.K., Jan. 30 to Feb. 1, 2018.
 “Product Flyer MEMS mirror S13989-01H (Exhibit 4-4)”, Hamamatsu Photonics K.K., Jan. 30 to Feb. 1, 2018.
 Sadaharo Takimoto, “Optical MEMS (MOEMS) Technology of Hamamatsu (Exhibit 5-1)”, Hamamatsu Photonics K.K., Apr. 25, 2018.
 “Photograph (Exhibit 5-2)”, Hamamatsu Photonics K.K., Apr. 25, 2018.
 “10th Anniversary MEMS Engineer Forum (MEF) 2018 Smart Society Driven by MEMS (Exhibit 5-3)”, MEMS 2018, Apr. 25 to 26, 2018.
 Notice of Allowance dated Apr. 3, 2020 in U.S. Appl. No. 29/668,500.
 Office Action dated May 4, 2020 in related U.S. Appl. No. 29/668,518.

* cited by examiner

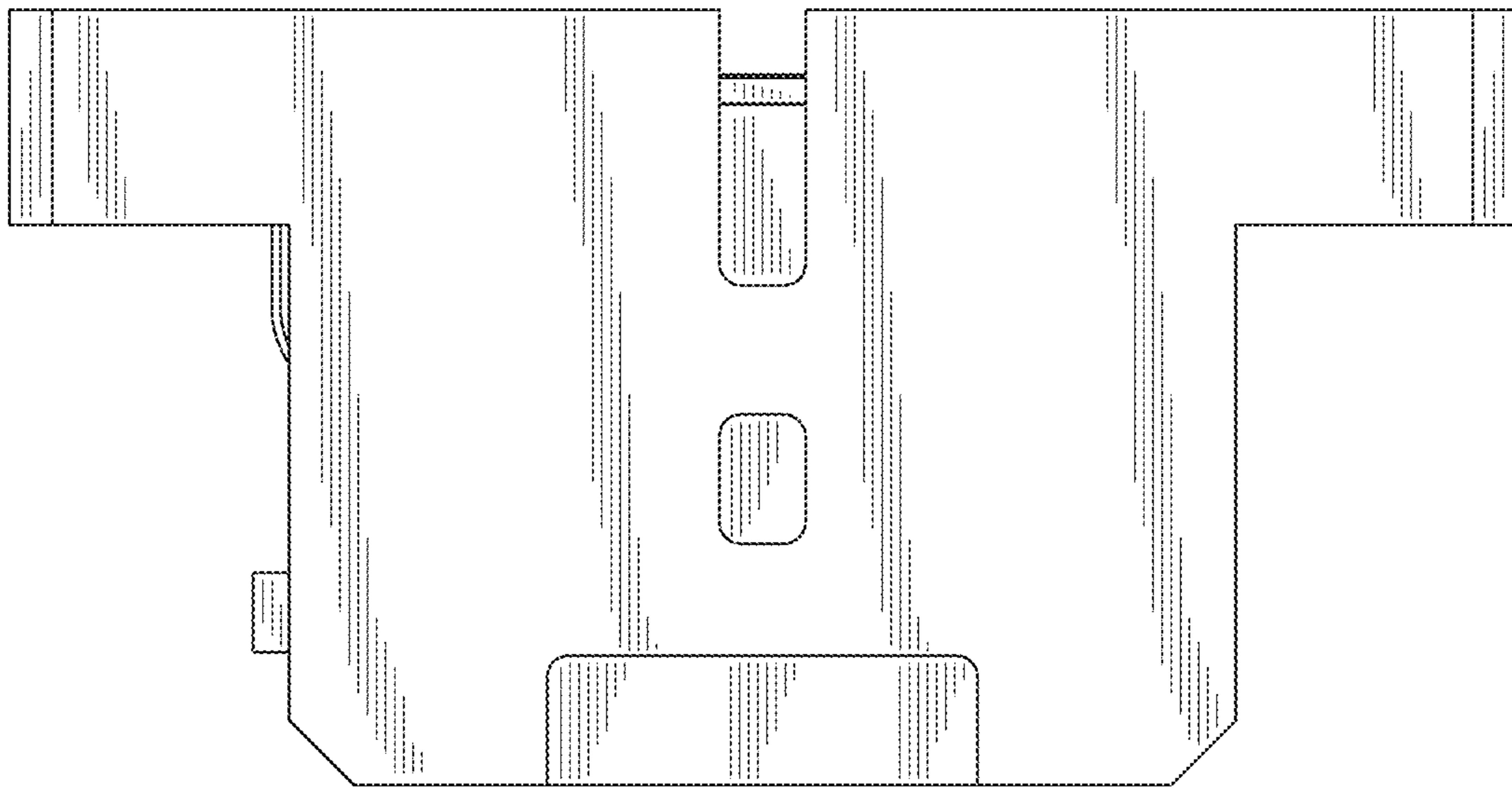


FIG. 1

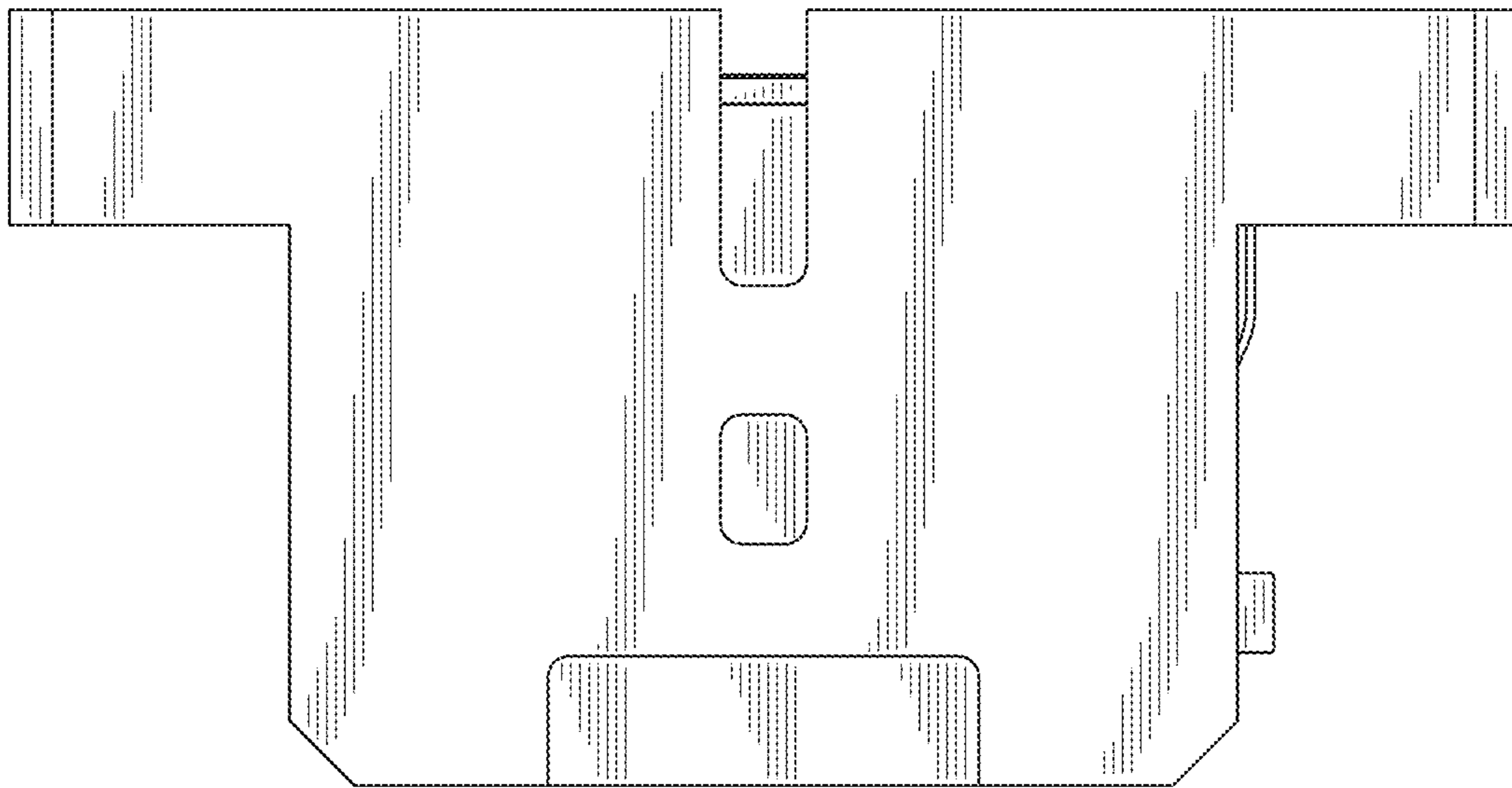


FIG. 2

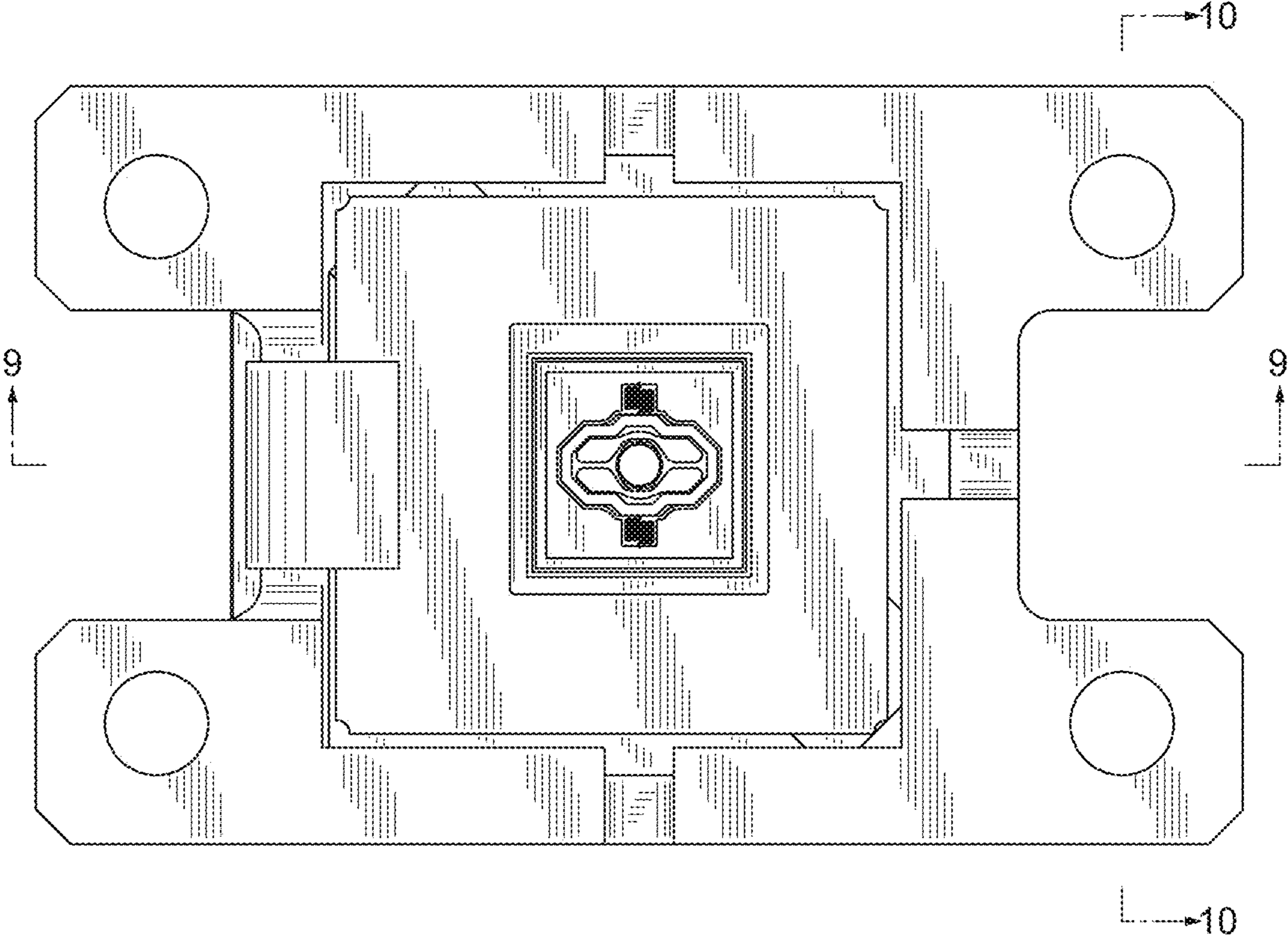


FIG. 3

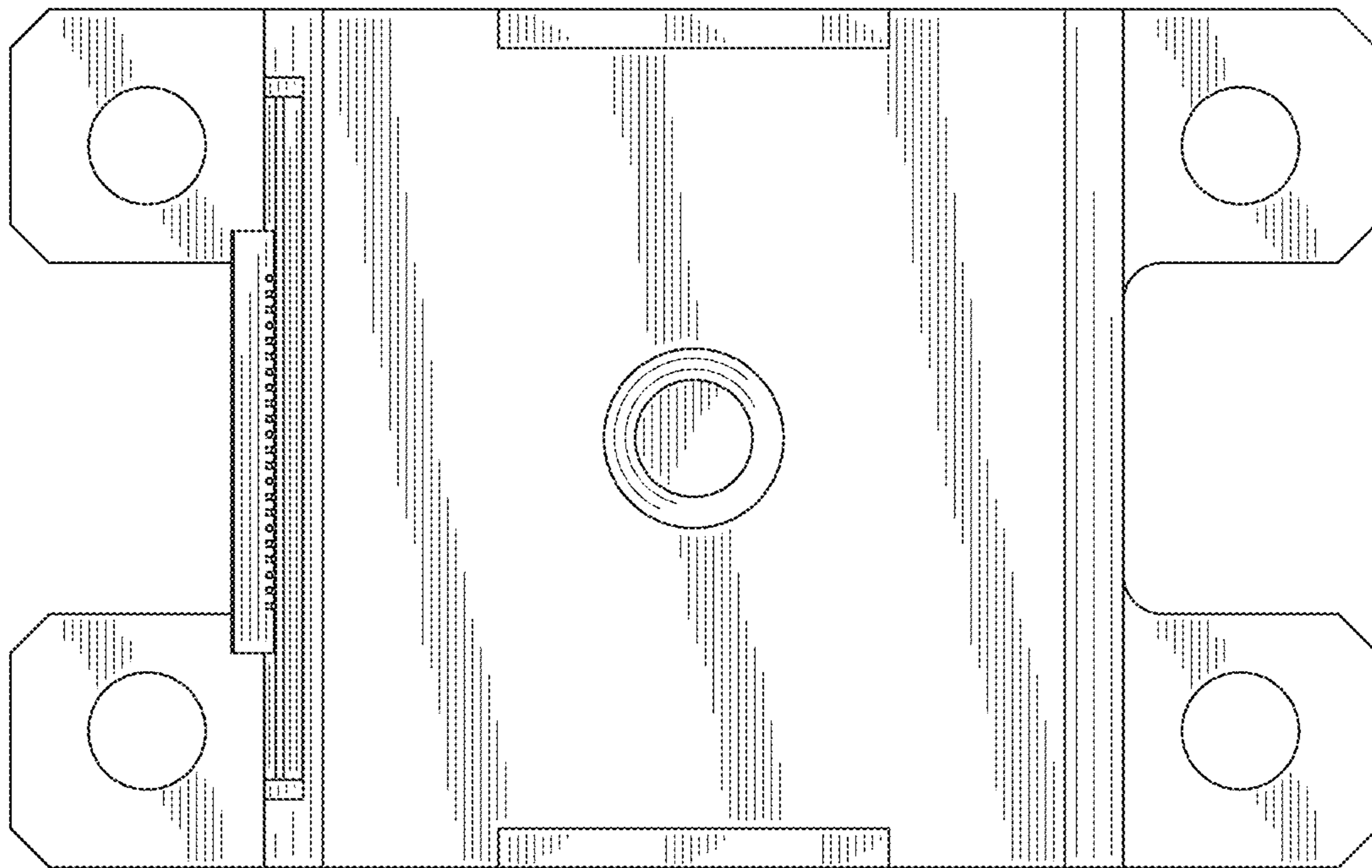


FIG. 4

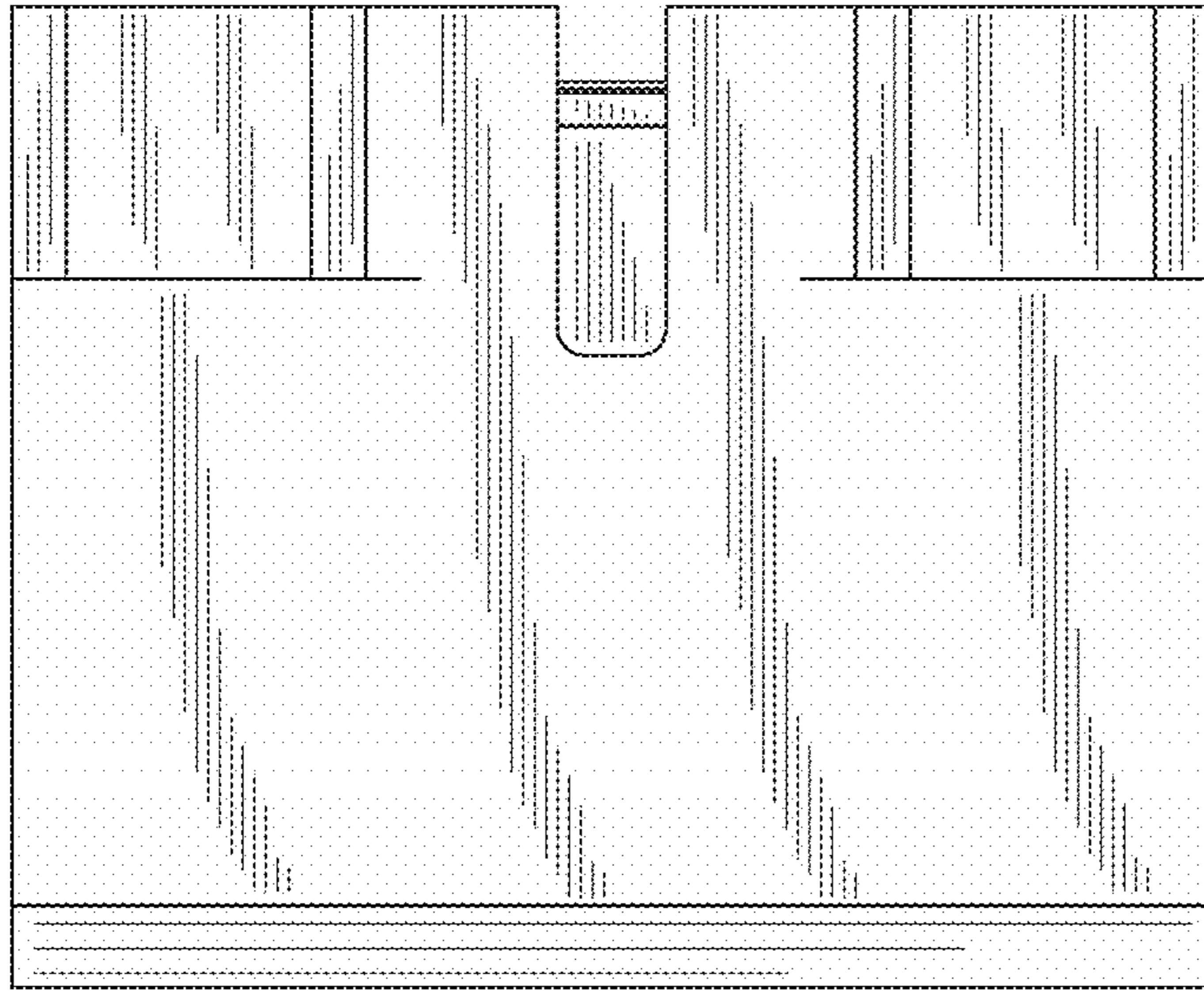


FIG. 5

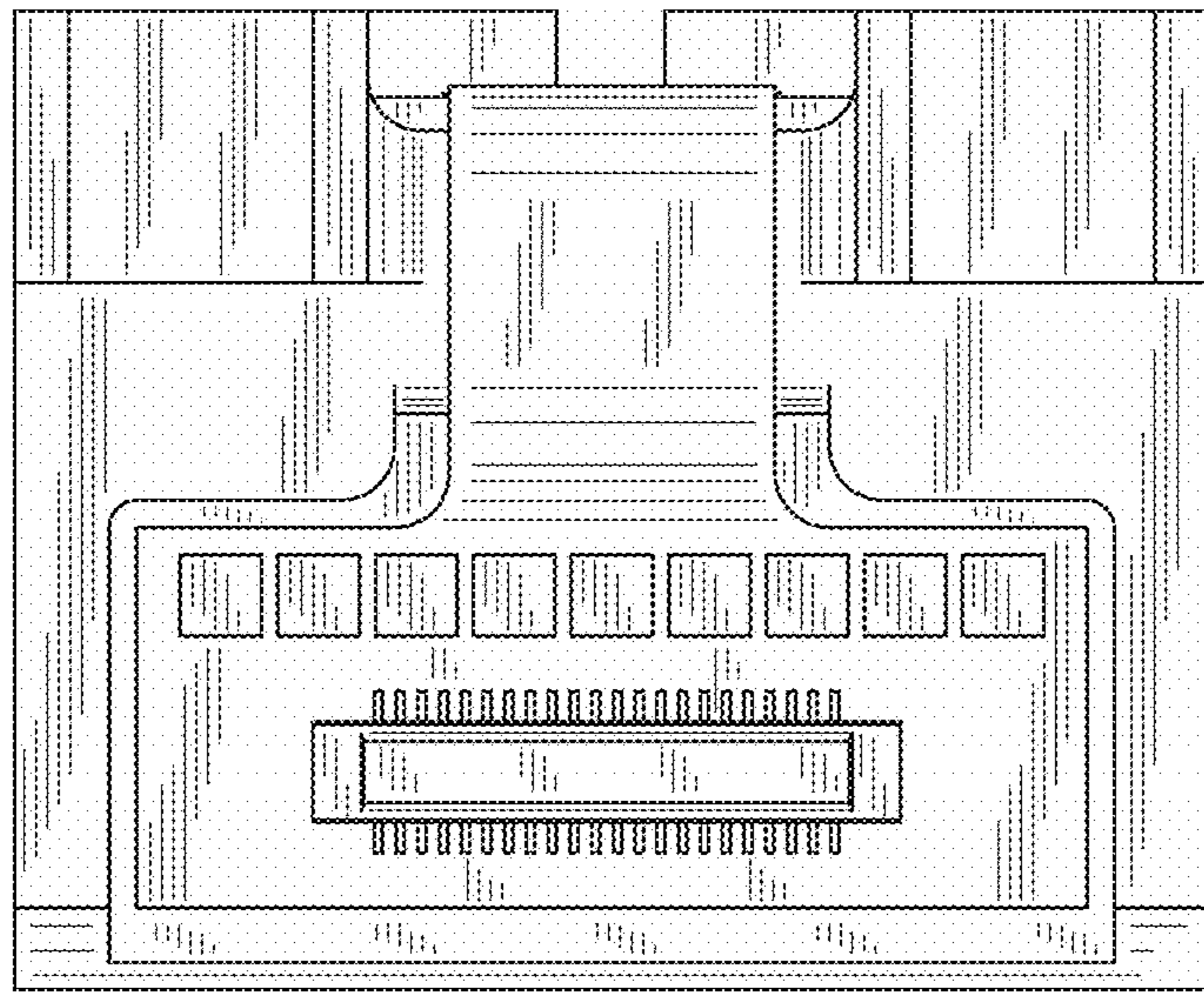


FIG. 6

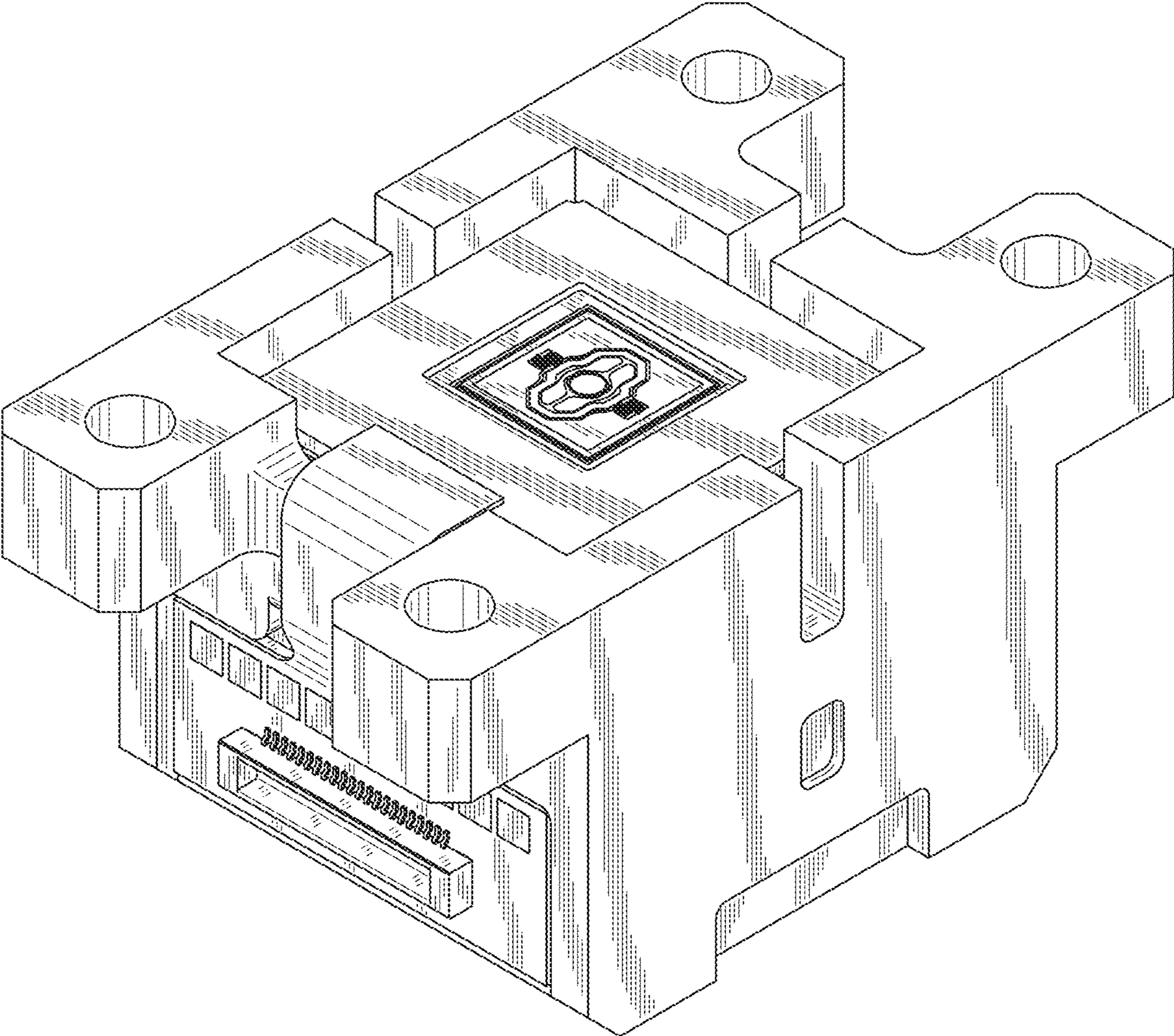


FIG. 7

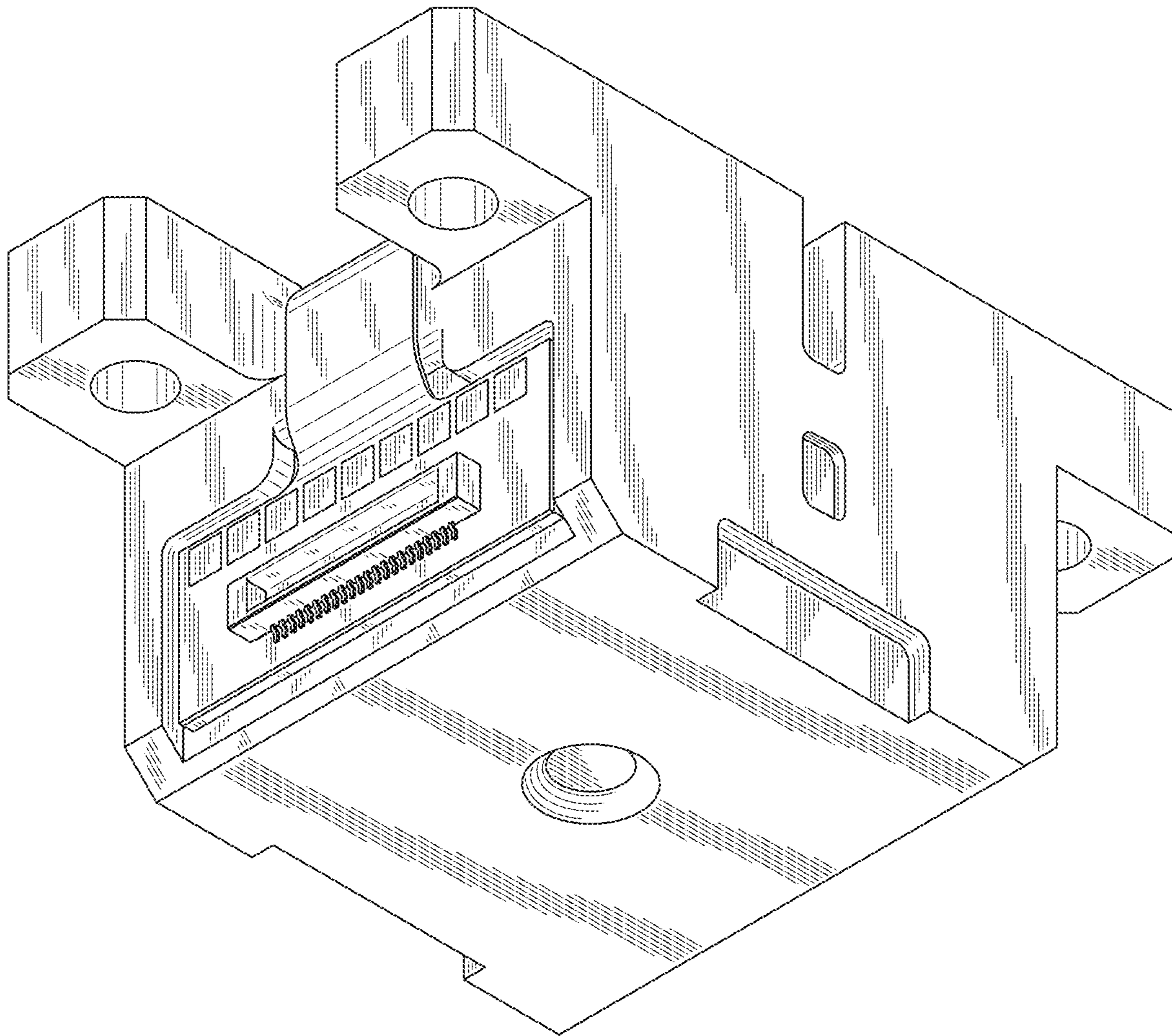


FIG. 8

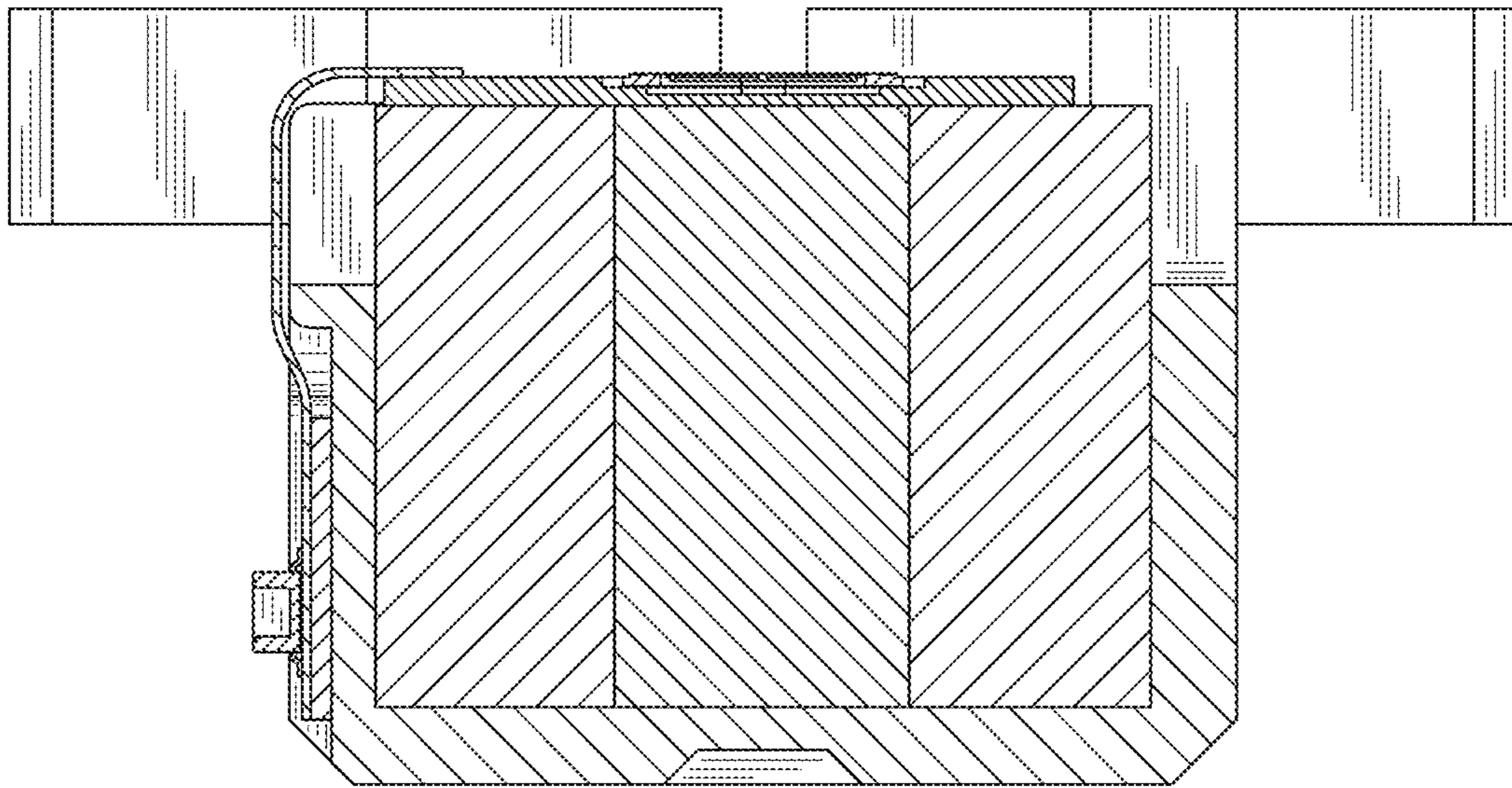


FIG. 9

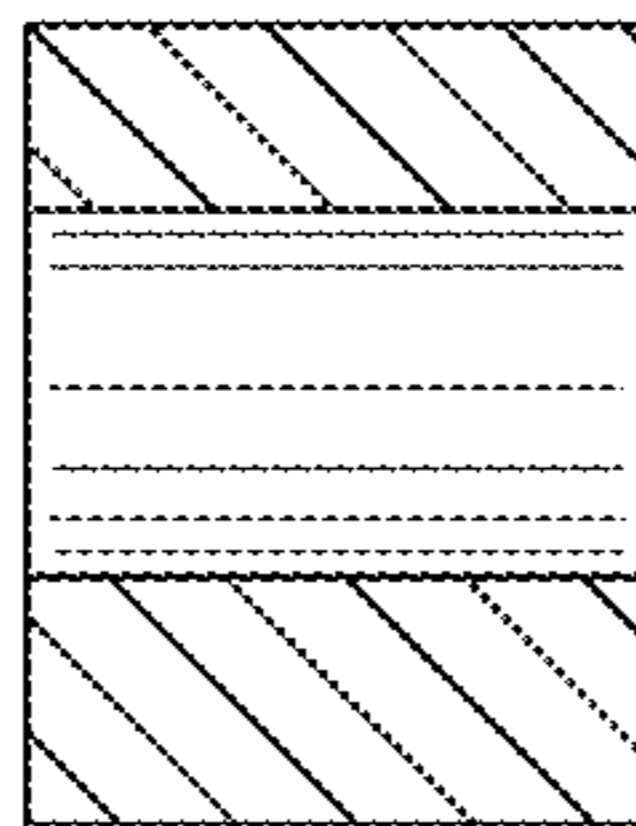
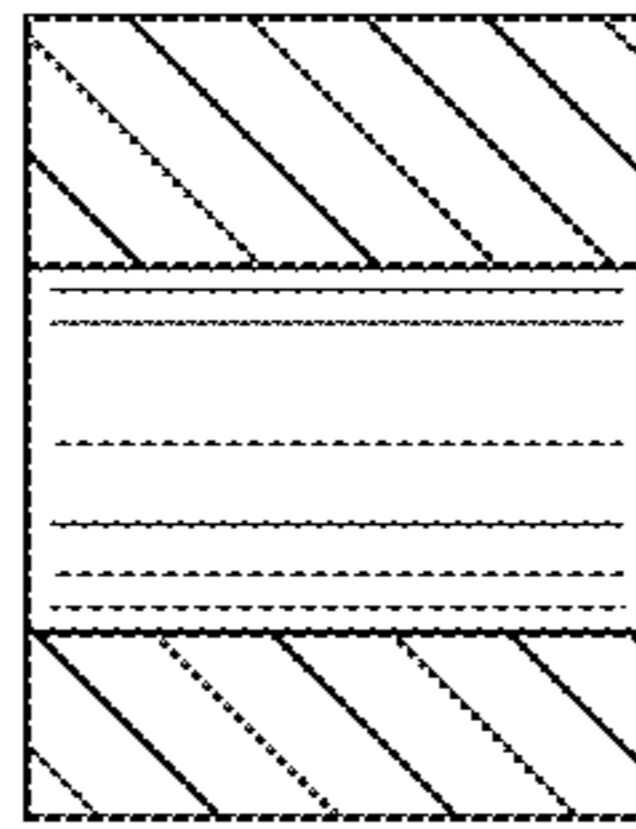


FIG. 10

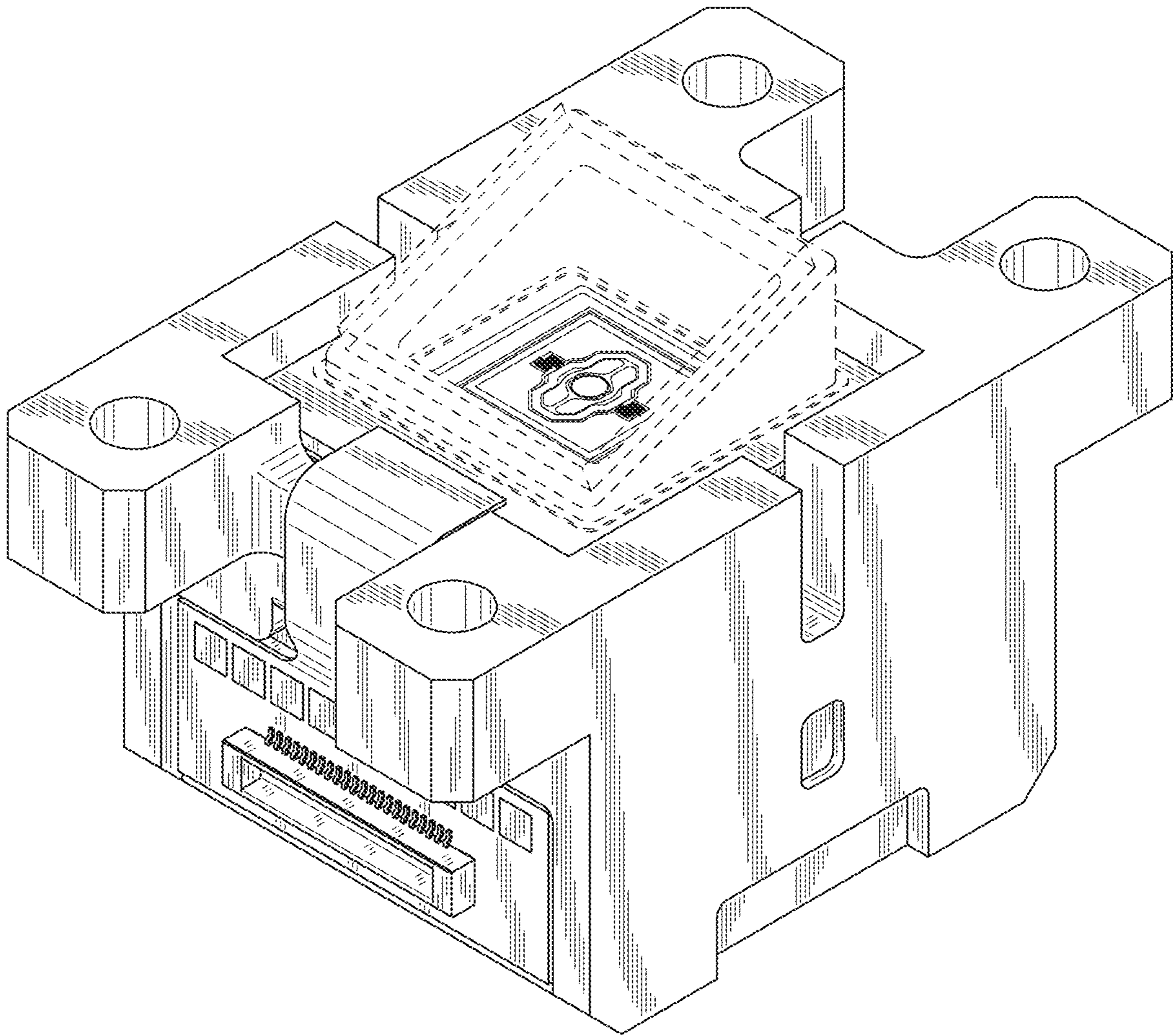


FIG. 11