



US00D907084S

(12) **United States Design Patent**  
**Kapuria et al.**

(10) **Patent No.:** **US D907,084 S**

(45) **Date of Patent:** **\*\* Jan. 5, 2021**

(54) **MOBILE ROBOT**

(71) Applicant: **THE HI-TECH ROBOTIC SYSTEMZ LTD**, Haryana (IN)

(72) Inventors: **Anuj Kapuria**, Haryana (IN); **Ritukar Vijay**, Haryana (IN)

(73) Assignee: **THE HI-TECH ROBOTIC SYSTEMZ LTD**, Gurugram (IN)

(\*\*) Term: **15 Years**

(21) Appl. No.: **29/649,697**

(22) Filed: **May 31, 2018**

(30) **Foreign Application Priority Data**

Dec. 14, 2017 (IN) ..... 300362

(51) **LOC (13) Cl.** ..... **15-09**

(52) **U.S. Cl.**  
USPC ..... **D15/199**

(58) **Field of Classification Search**  
USPC ..... D15/199; D21/578-583, 621, 622;  
D32/21  
CPC ..... B25J 5/007; B25J 9/1694; G05D 1/027;  
G05D 1/0011; G05D 1/0231; G05D  
1/0242; Y10S 901/01; Y10S 901/46;  
Y10S 901/49

See application file for complete search history.

(56) **References Cited**

**U.S. PATENT DOCUMENTS**

D700,923 S \* 3/2014 Lin ..... D15/143  
D810,799 S \* 2/2018 Sokuza ..... D15/199  
D812,663 S \* 3/2018 Waters ..... D15/199  
D832,372 S \* 10/2018 Huang ..... D21/578  
D839,331 S \* 1/2019 Nilsson ..... D15/199  
D853,461 S \* 7/2019 Cheikh ..... D15/199

D857,773 S \* 8/2019 Muraishi ..... D15/199  
D863,387 S \* 10/2019 Wang ..... D15/199  
D864,270 S \* 10/2019 Hu ..... D15/199  
D865,021 S \* 10/2019 Hu ..... D15/199  
10,493,624 B1 \* 12/2019 Nabat ..... B25J 9/1633  
2006/0186561 A1 \* 8/2006 Song ..... A47L 7/04  
261/26  
2009/0035181 A1 \* 2/2009 Chung ..... A61B 5/00  
422/68.1  
2010/0228394 A1 \* 9/2010 Yi ..... G05D 1/0246  
700/253  
2012/0026481 A1 \* 2/2012 Chen ..... G05D 1/0242  
356/4.01  
2015/0020326 A1 \* 1/2015 Schnittman ..... A47L 11/34  
15/52.1  
2015/0166060 A1 \* 6/2015 Smith ..... B60W 30/09  
701/23  
2016/0271795 A1 \* 9/2016 Vicenti ..... B25J 9/163  
2017/0038776 A1 \* 2/2017 Gariepy ..... G05D 1/0022  
2017/0150863 A1 \* 6/2017 Kim ..... A47L 9/2805  
2017/0269212 A1 \* 9/2017 Strang ..... G01S 7/4816

(Continued)

*Primary Examiner* — Patricia A Palasik

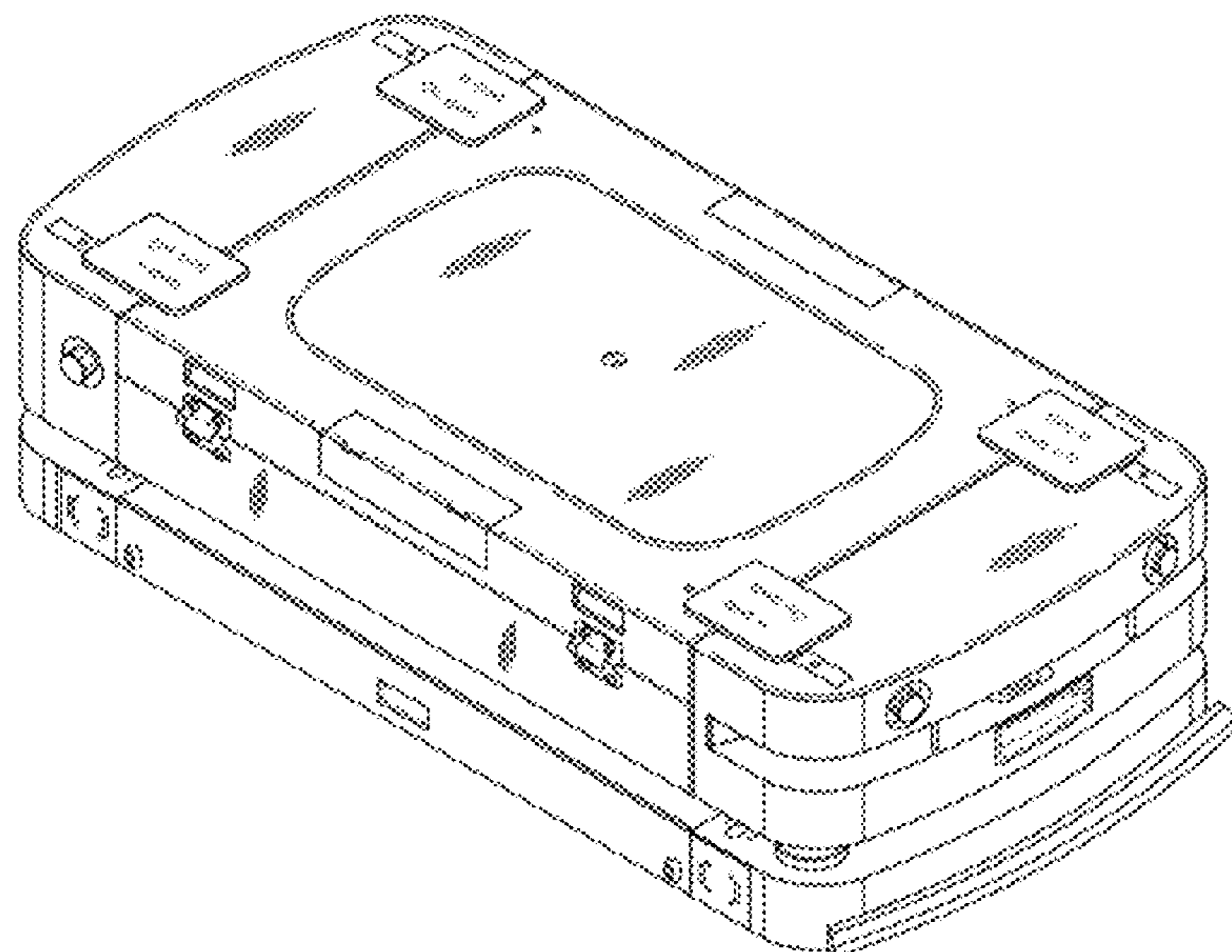
(57) **CLAIM**

The ornamental design for a mobile robot, as shown and described.

**DESCRIPTION**

FIG. 1 is a top, front and left side perspective view of a mobile robot showing our new design; FIG. 2 is a top, rear and right side perspective view thereof; FIG. 3 is a front elevational view thereof; FIG. 4 is a rear elevational view thereof; FIG. 5 is a left side view thereof; FIG. 6 is a right side view thereof; FIG. 7 is a top plan view thereof; and, FIG. 8 is a bottom plan view thereof. The broken lines in the drawings depict portions of the mobile robot and form no part of the claimed design.

**1 Claim, 8 Drawing Sheets**



(56)

**References Cited**

## U.S. PATENT DOCUMENTS

2017/0332862 A1\* 11/2017 Jun ..... G05D 1/0248  
2017/0332872 A1\* 11/2017 Jun ..... G06T 7/521  
2018/0186001 A1\* 7/2018 Scheurer ..... B25J 9/162  
2018/0192842 A1\* 7/2018 Sung ..... A47L 9/009  
2018/0213987 A1\* 8/2018 Hong ..... A47L 9/02  
2018/0213992 A1\* 8/2018 Koetz ..... A47L 9/0411  
2018/0284786 A1\* 10/2018 Moshkina-Martinson .....  
A47L 9/2847  
2018/0329409 A1\* 11/2018 Huang ..... G05D 1/0246  
2019/0014964 A1\* 1/2019 Velasquez ..... A47L 11/34  
2019/0015990 A1\* 1/2019 Hillen ..... B25J 9/1697  
2019/0133396 A1\* 5/2019 Lim ..... A47L 9/28  
2019/0174987 A1\* 6/2019 Strang ..... A47L 9/2857  
2019/0176330 A1\* 6/2019 Noh ..... B25J 9/1697  
2019/0208970 A1\* 7/2019 Suchman ..... A47L 7/0028  
2019/0282050 A1\* 9/2019 Hyun ..... A47L 9/16  
2019/0332115 A1\* 10/2019 Lim ..... A47L 9/28

\* cited by examiner

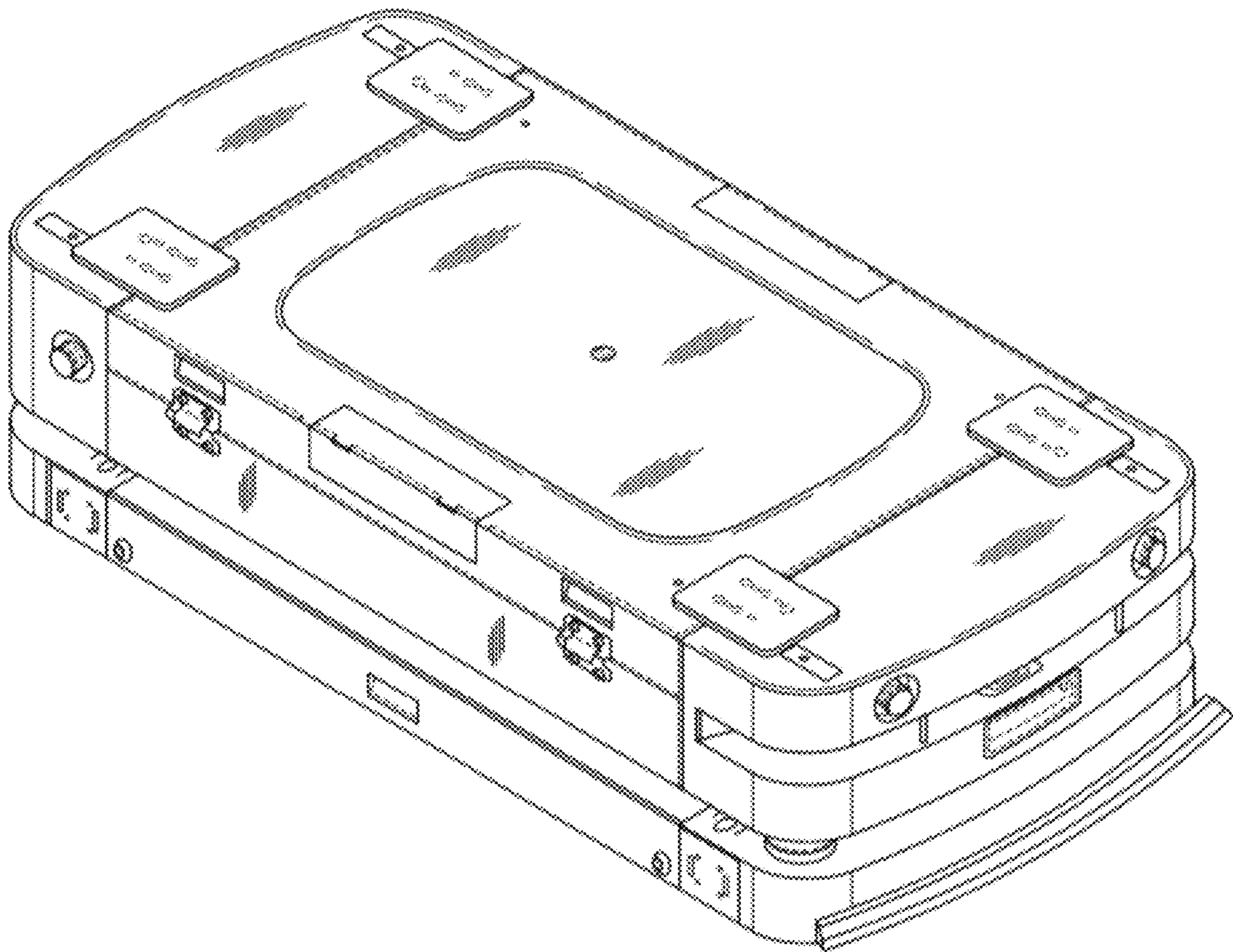


Fig. 1

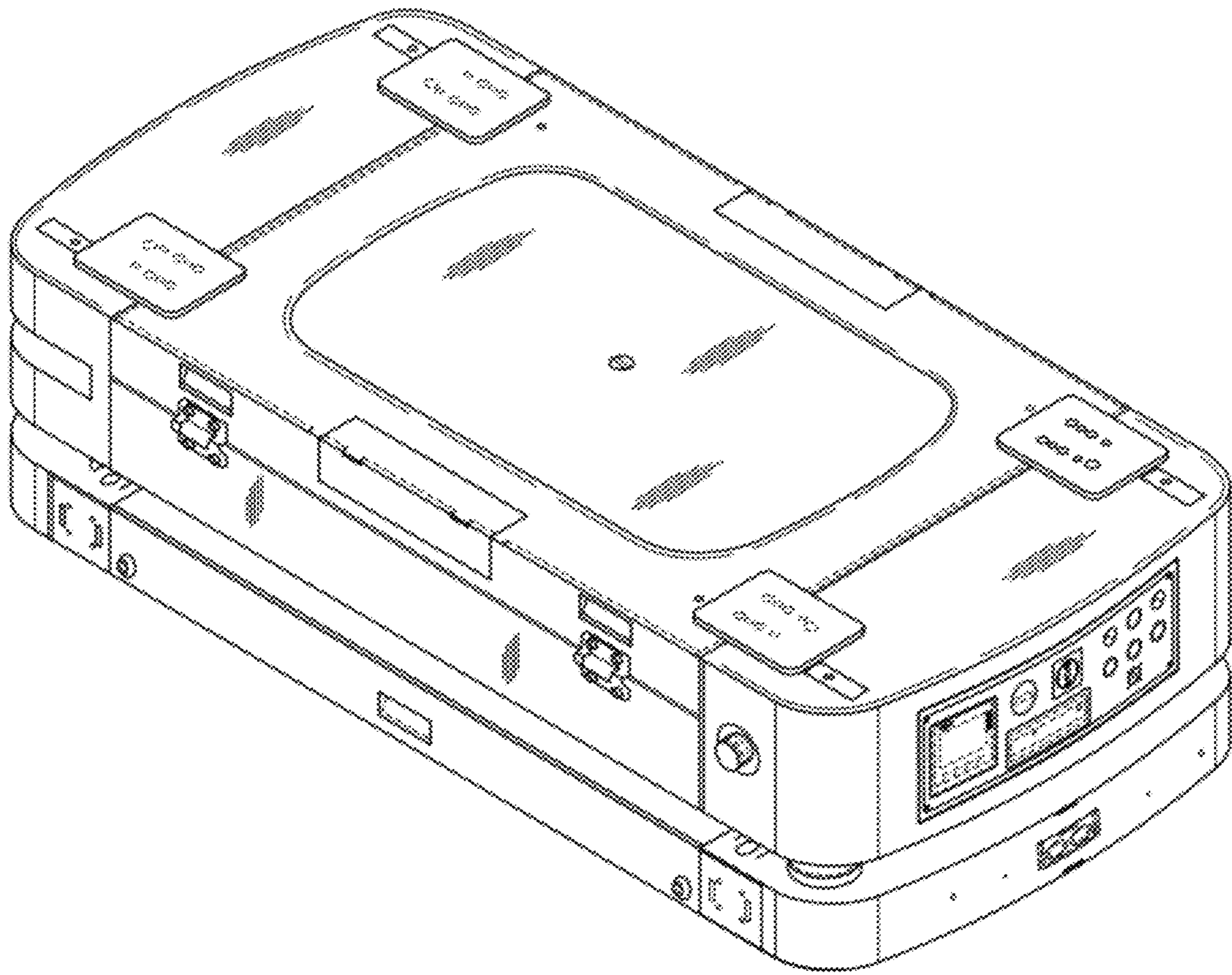


Fig. 2

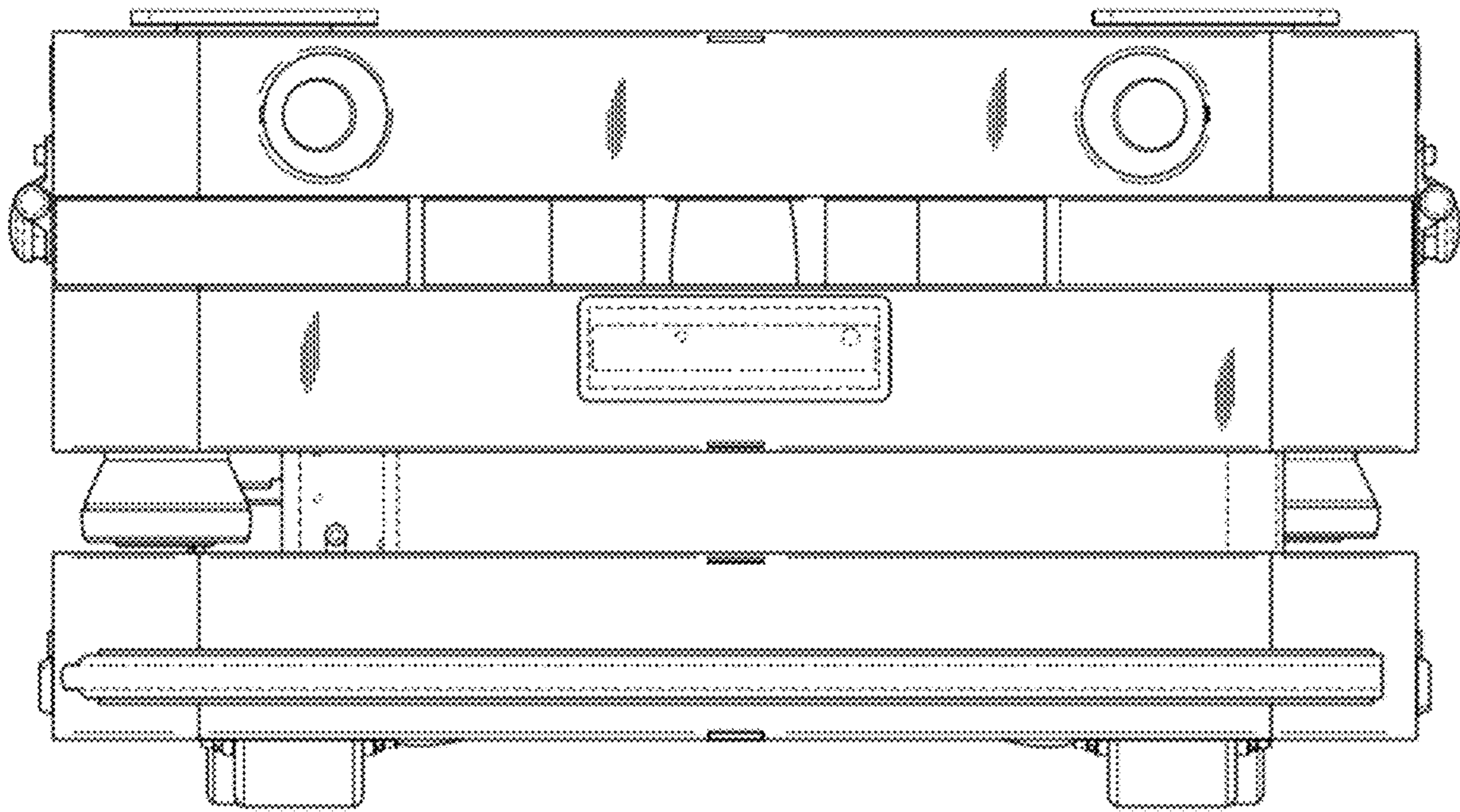


Fig. 3

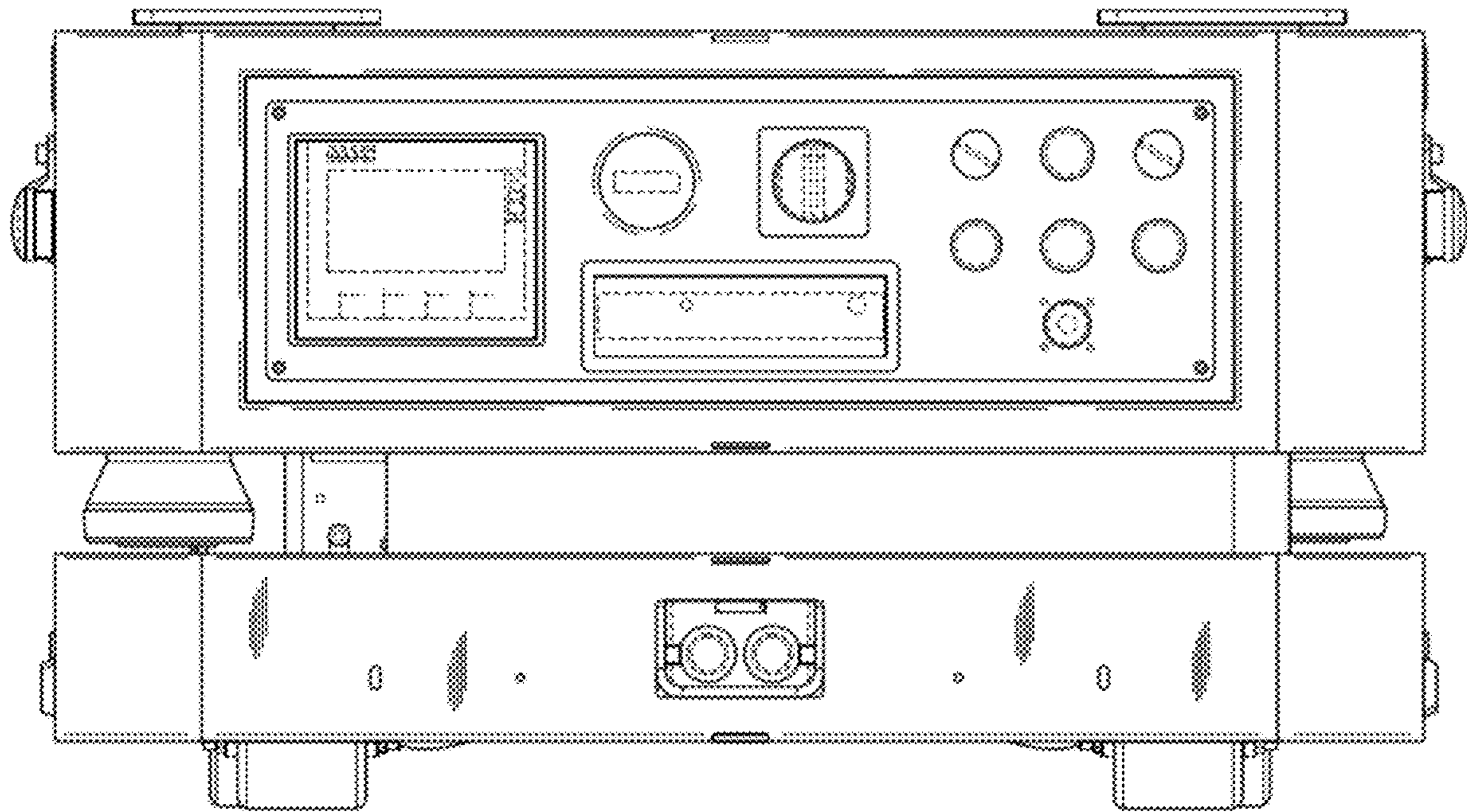


Fig. 4

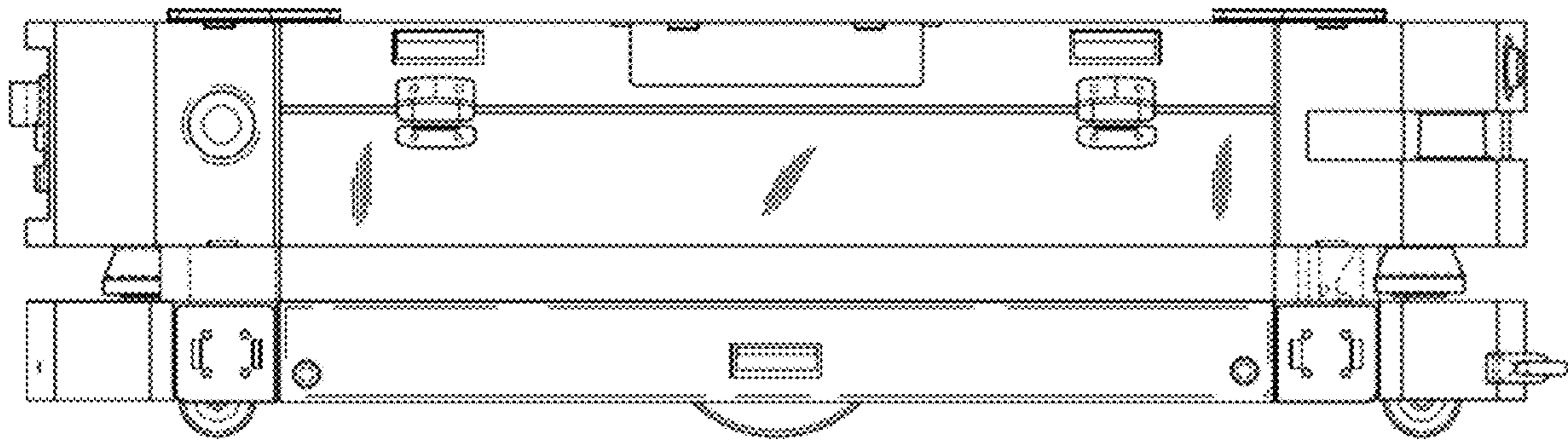


Fig. 5

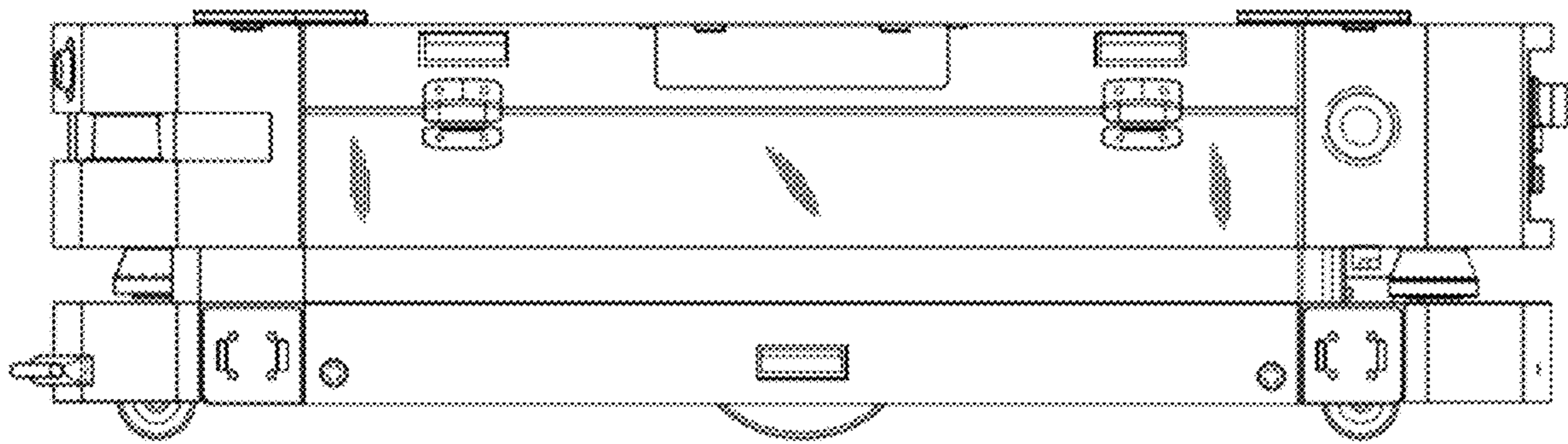


Fig. 6



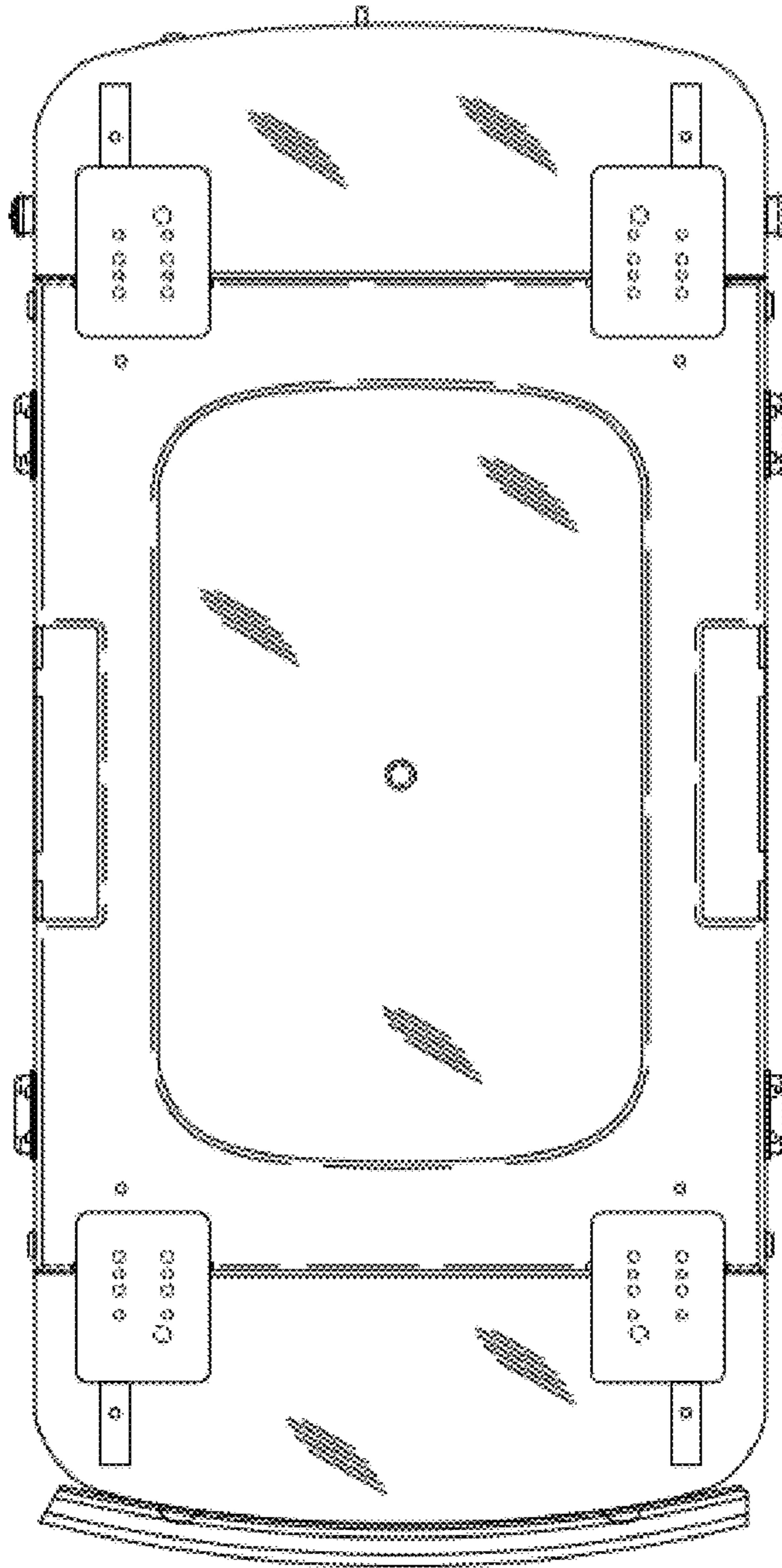


Fig. 7

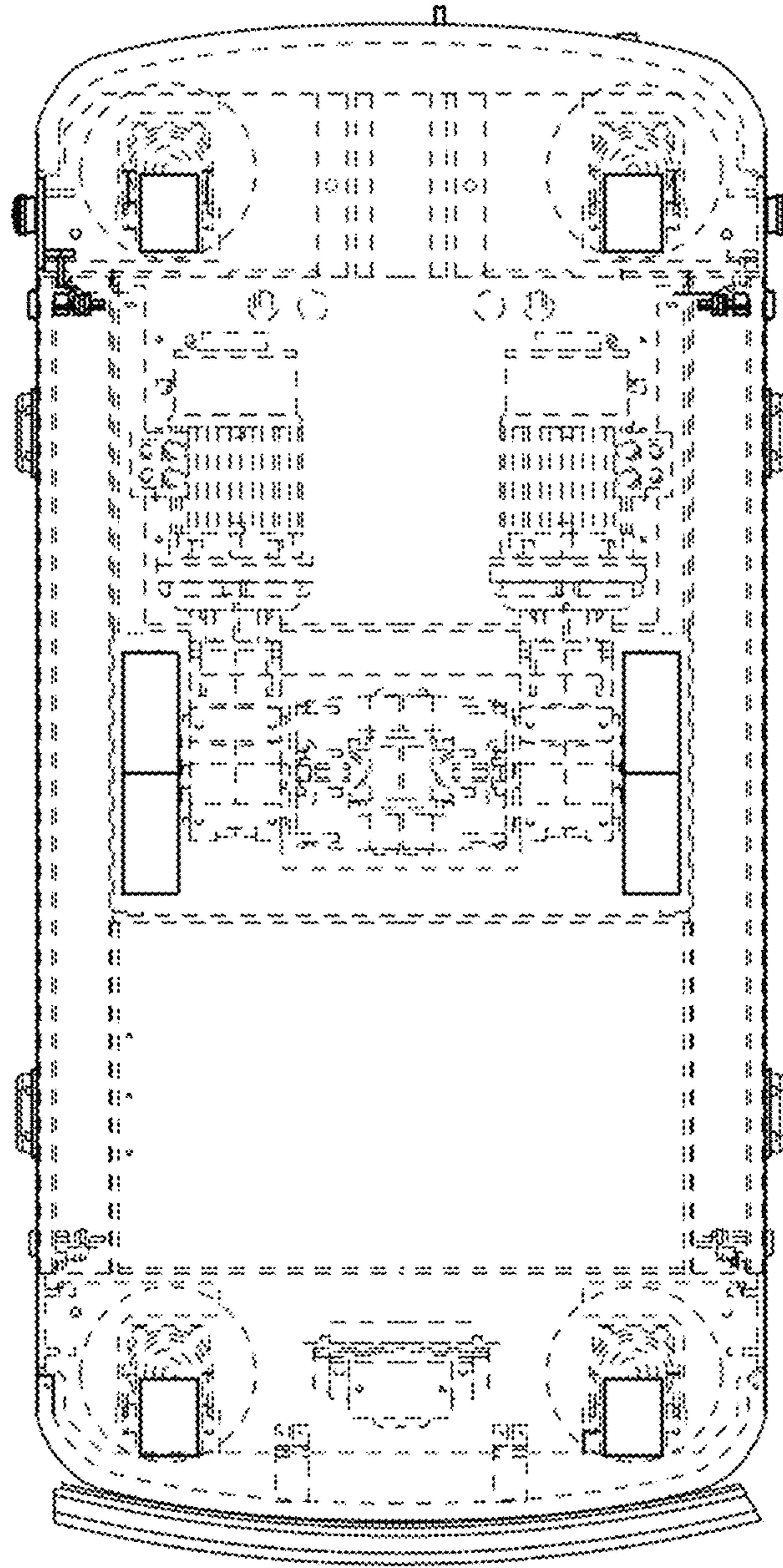


Fig. 8