



US00D907083S

(12) **United States Design Patent** (10) **Patent No.:** **US D907,083 S**
Loman (45) **Date of Patent:** **** Jan. 5, 2021**

(54) **PROPELLER FOR A MIXER**
(71) Applicant: **Xylem Industries S.a r.l.**,
Senningerberg (LU)
(72) Inventor: **Peter Loman**, Järfälla (SE)
(73) Assignee: **XYLEM INDUSTRIES S.A R.L.**,
Luxembourg (LU)
(**) Term: **15 Years**
(21) Appl. No.: **29/689,960**
(22) Filed: **May 3, 2019**
(30) **Foreign Application Priority Data**
Nov. 6, 2018 (EM) 005817798-0001
(51) **LOC (13) Cl.** **15-04**
(52) **U.S. Cl.**
USPC **D15/147**
(58) **Field of Classification Search**
USPC D15/28, 147; D7/368; D12/214, 317;
D23/413, 379
CPC . B01F 7/00; B01F 7/341; B01F 15/00; B33Y
80/00; A47J 43/00; A47J 43/046
See application file for complete search history.

(56) **References Cited**
U.S. PATENT DOCUMENTS
D282,371 S * 1/1986 Johansson D15/122
D324,364 S * 3/1992 Hannon D12/214
5,158,434 A * 10/1992 Weetman B01F 7/00341
416/201 A
D419,669 S * 1/2000 Shinshi D23/411
D442,906 S * 5/2001 Prokop D12/214
D473,567 S * 4/2003 Campbell D15/5
D562,215 S * 2/2008 Schulze D12/214
D671,203 S * 11/2012 Wang D23/377
D677,611 S * 3/2013 Janecke D12/214

D677,612 S * 3/2013 Janecke D12/214
D725,252 S * 3/2015 Hamada D23/354
D769,786 S * 10/2016 Xiao D12/214
D787,035 S * 5/2017 Hamada D23/354
D797,639 S * 9/2017 Xiao D12/214
D802,513 S * 11/2017 Xiao D12/214
D819,099 S * 5/2018 Andersson D15/147
D826,132 S * 8/2018 Hanscom D12/214
D826,629 S * 8/2018 Andersson D7/376
D861,849 S * 10/2019 Hidalgo D23/377
D870,012 S * 12/2019 Hopkins, III D12/214
D873,305 S * 1/2020 Thooft D15/28
D893,393 S * 8/2020 Hopkins, III D12/214
2006/0147259 A1 * 7/2006 Hu F16D 1/096
403/343
2016/0296897 A1 * 10/2016 Marshall B01F 15/0085

* cited by examiner

Primary Examiner — Mark A Goodwin
(74) *Attorney, Agent, or Firm* — Fox Rothschild LLP

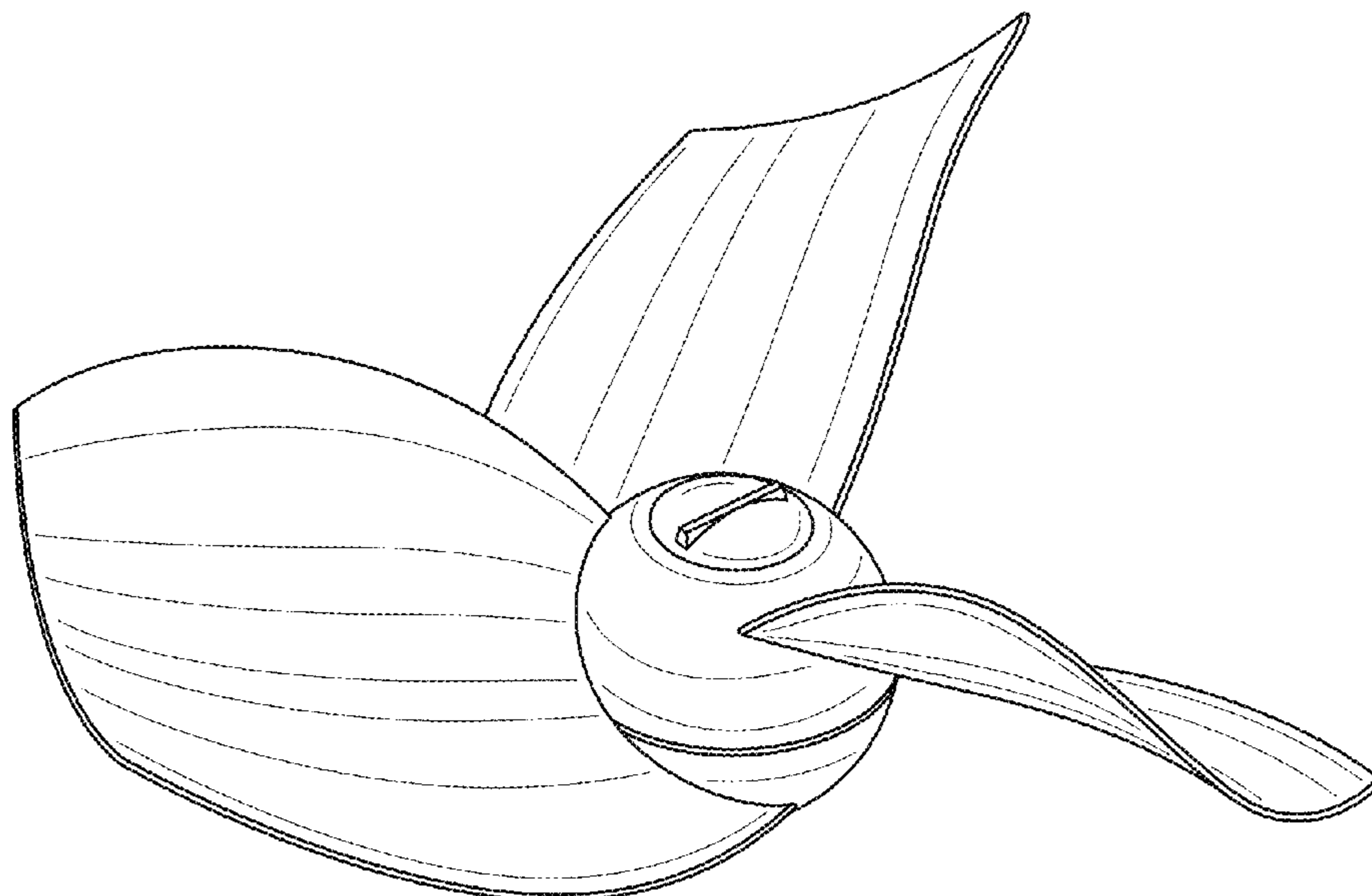
(57) **CLAIM**

The ornamental design for a propeller for a mixer, as shown and described.

DESCRIPTION

FIG. 1 is a top, right side, front perspective view of a first embodiment of a propeller for a mixer according to the present disclosure;
FIG. 2 is a front view of the propeller for a mixer of FIG. 1;
FIG. 3 is a back view of the propeller for a mixer of FIG. 1;
FIG. 4 is a left side view of the propeller for a mixer of FIG. 1;
FIG. 5 is a right side view of the propeller for a mixer of FIG. 1;
FIG. 6 is a top view of the propeller for a mixer of FIG. 1; and,
FIG. 7 is a bottom view of the propeller for a mixer of FIG. 1.

1 Claim, 5 Drawing Sheets



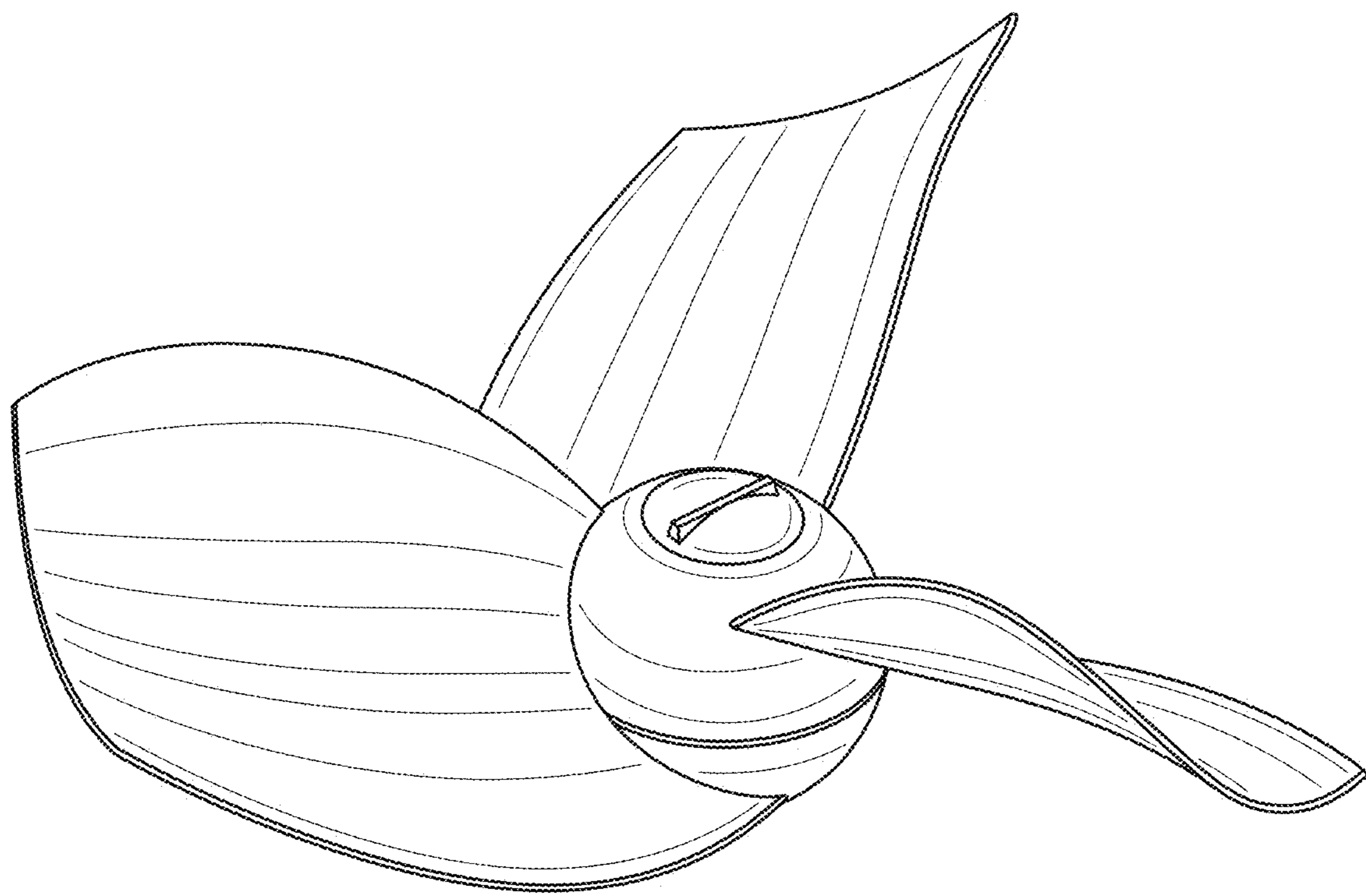


FIG. 1

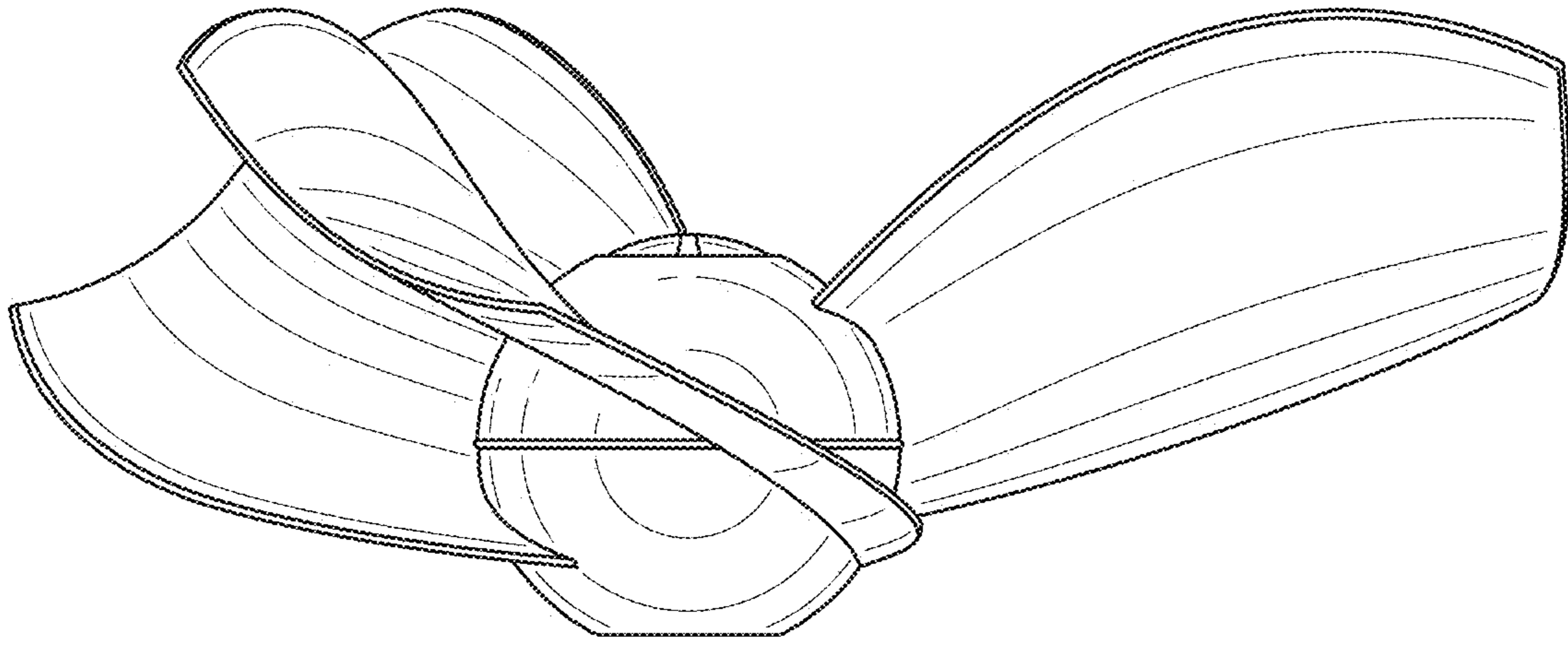


FIG. 2

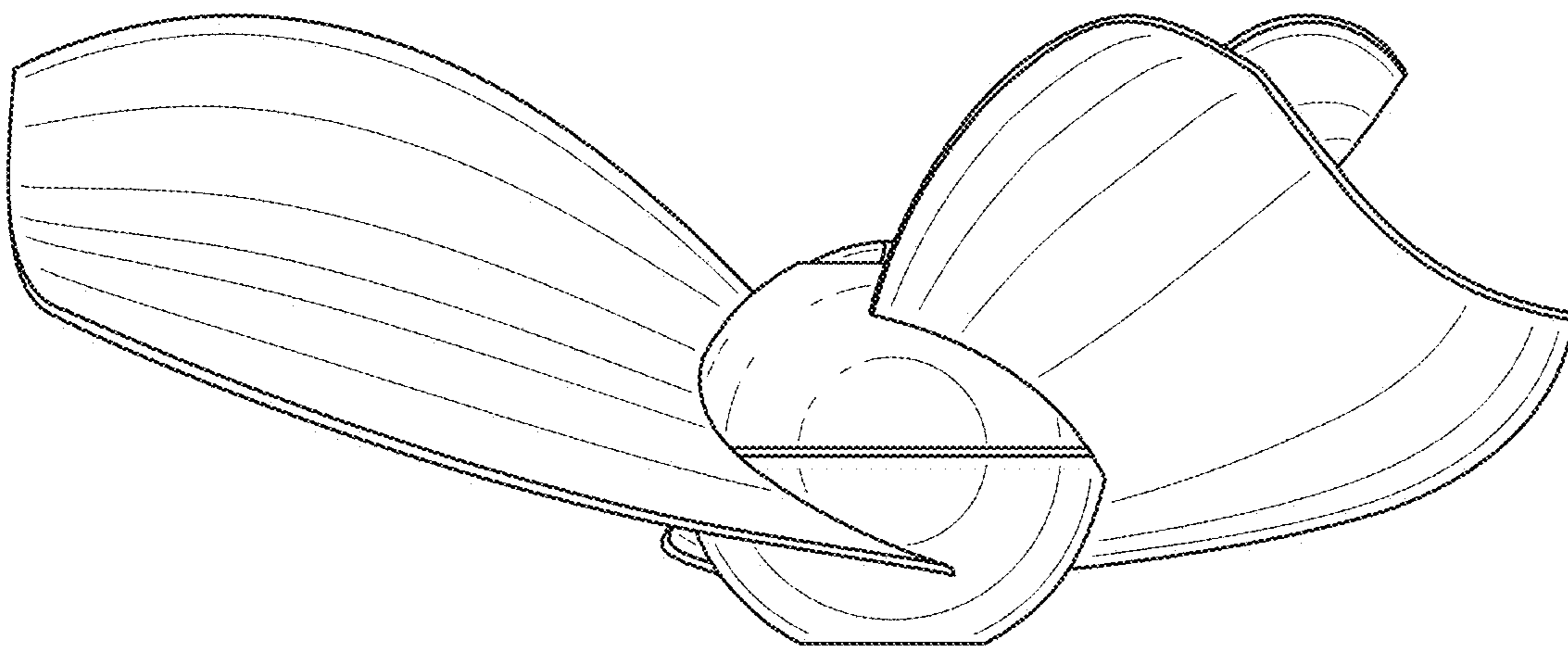


FIG. 3

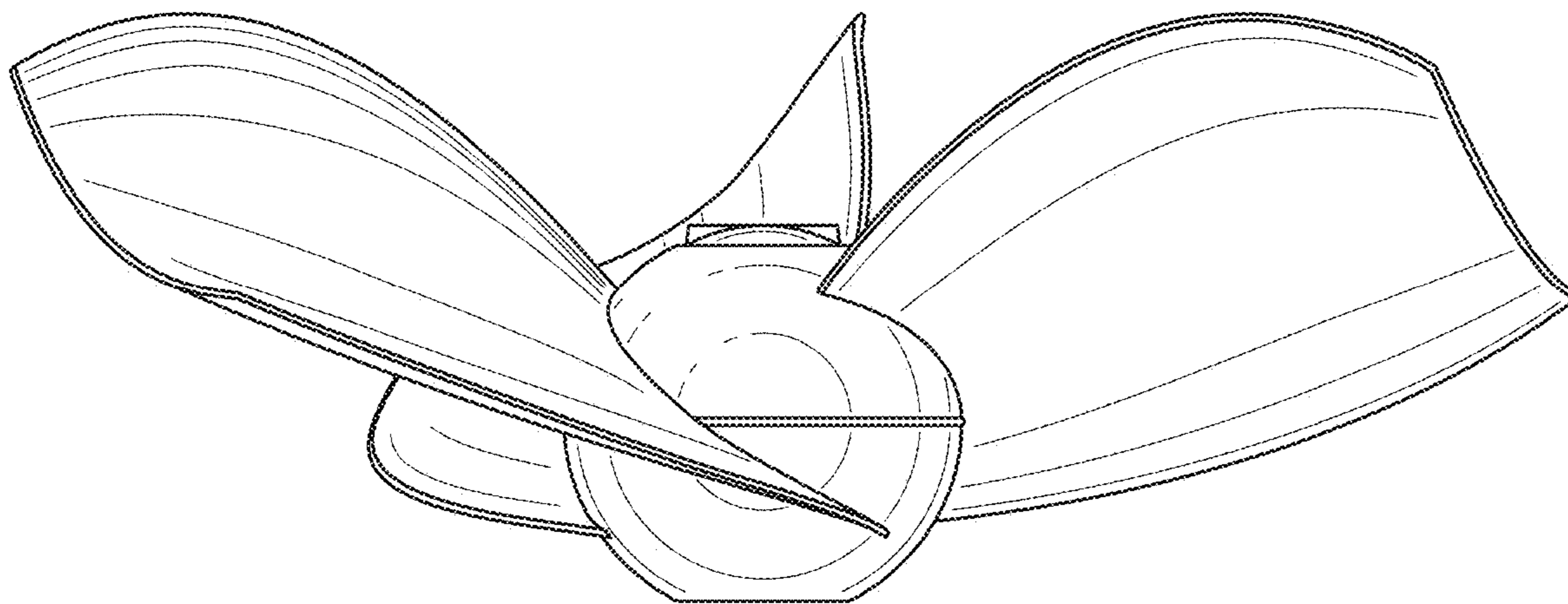


FIG. 4

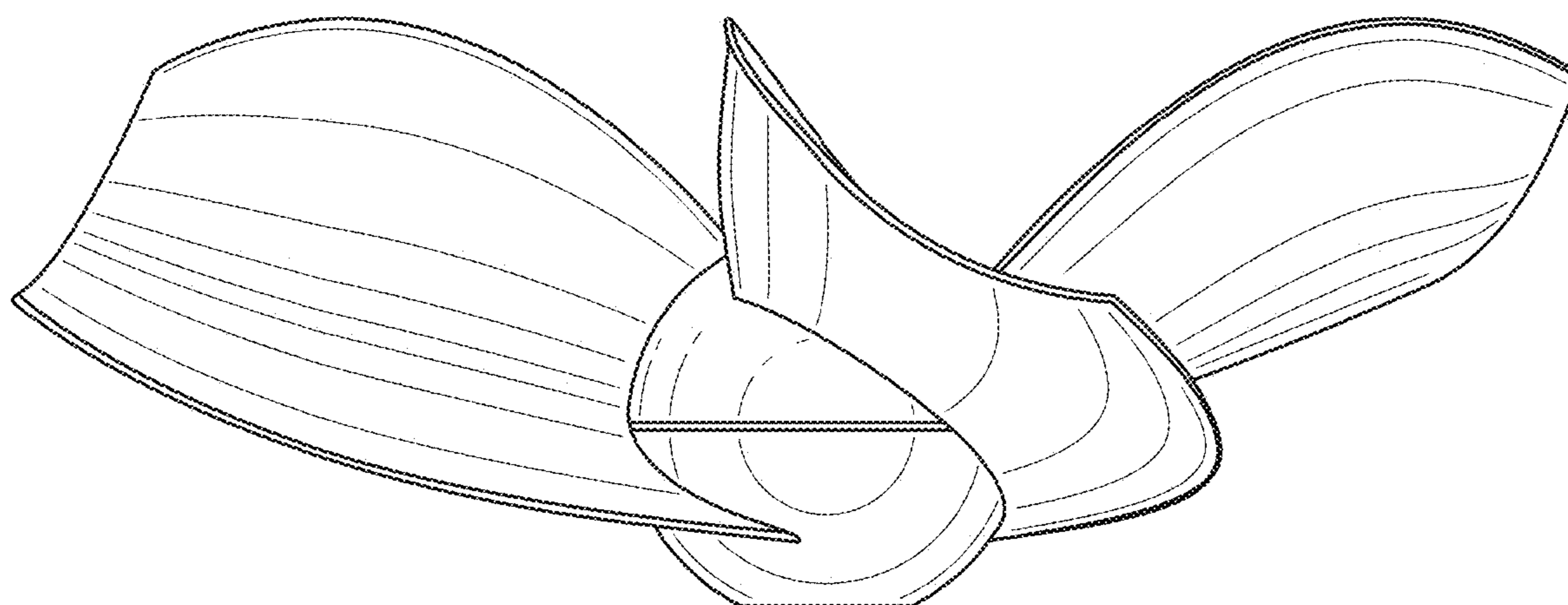


FIG. 5

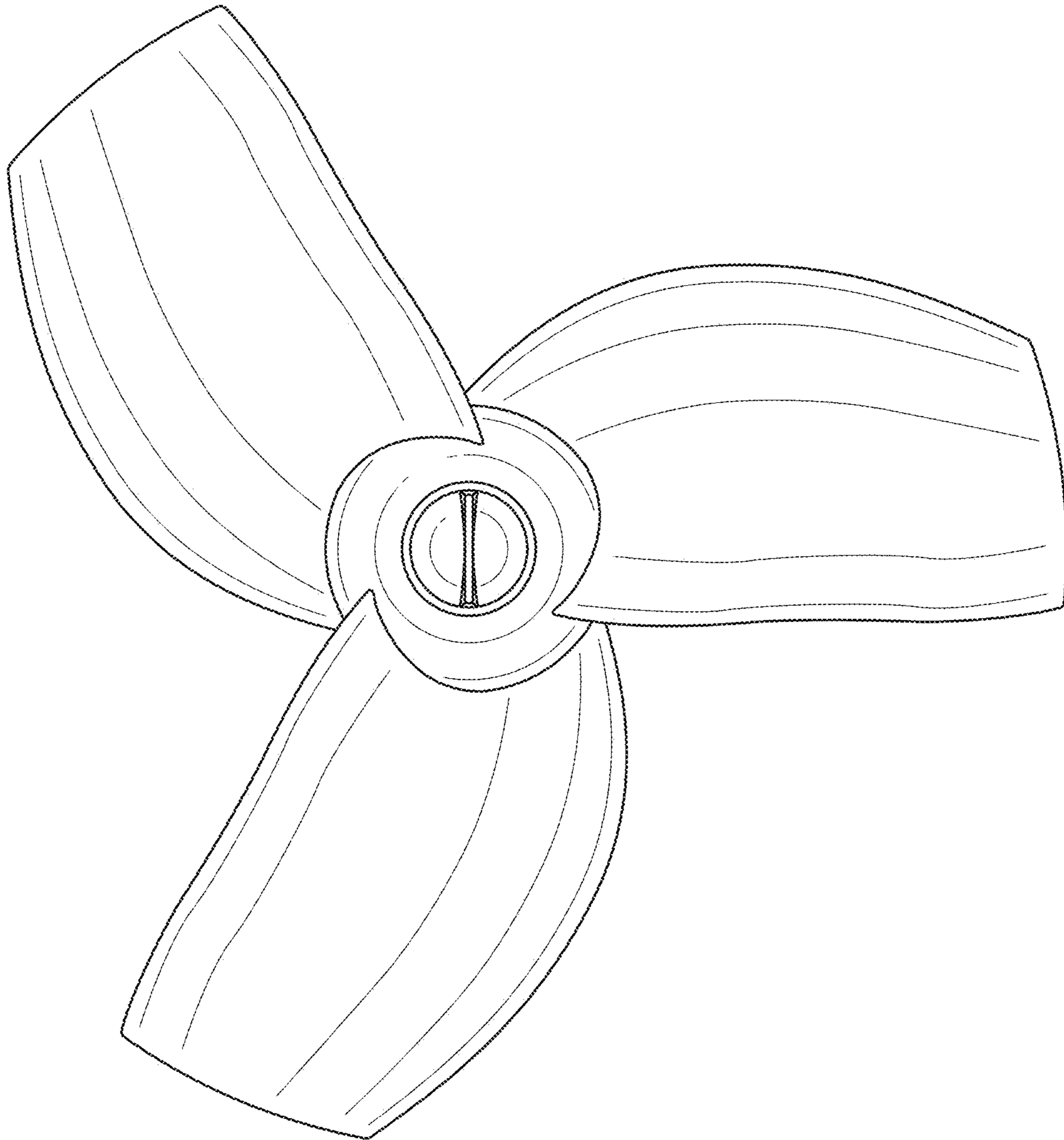


FIG. 6

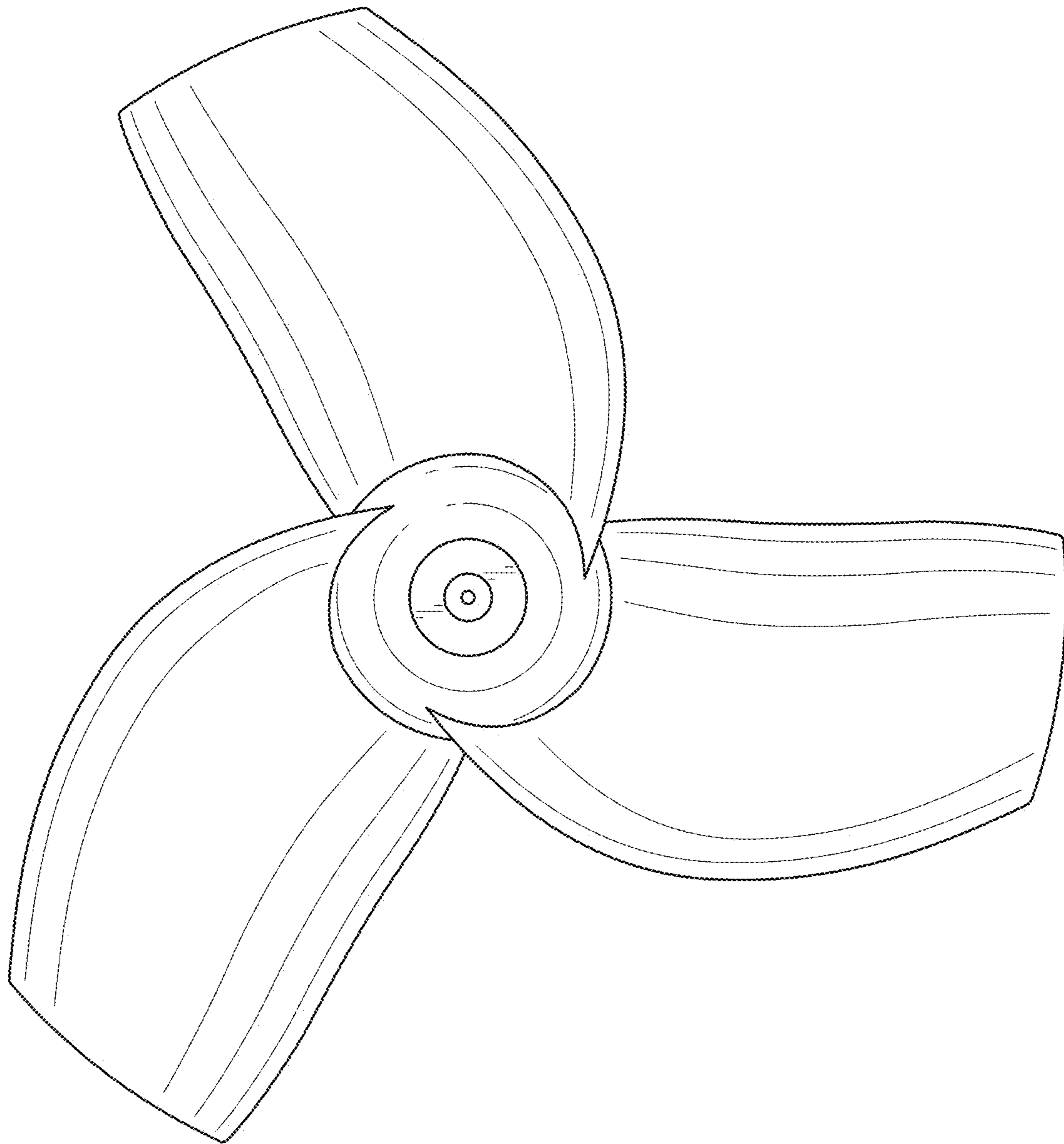


FIG. 7