



US00D907082S

(12) **United States Design Patent**
Chi

(10) **Patent No.:** **US D907,082 S**
(45) **Date of Patent:** **** Jan. 5, 2021**

(54) **HOT PRESS MODULE OF A HEATING MACHINE**

(71) Applicant: **PROGRESS Y&Y CORP.**, New Taipei (TW)

(72) Inventor: **Ming-Chih Chi**, New Taipei (TW)

(73) Assignee: **PROGRESS Y&Y CORP.**, New Taipei (TW)

(**) Term: **15 Years**

(21) Appl. No.: **29/690,413**

(22) Filed: **May 8, 2019**

(51) **LOC (13) Cl.** **15-99**

(52) **U.S. Cl.**
USPC **D15/146**

(58) **Field of Classification Search**
USPC D8/29.1; D10/83; D13/133; D15/122,
D15/126, 135, 136, 141, 144, 144.1,
D15/144.2, 146

CPC C21D 8/005; C21D 8/04; C21D 8/0405;
C21D 9/48; C21D 7/13; B21D 22/022
See application file for complete search history.

(56) **References Cited**

U.S. PATENT DOCUMENTS

D292,981 S	*	12/1987	Skoog	D15/122
D293,116 S	*	12/1987	Stackhouse	D15/122
D854,064 S	*	7/2019	Mayer	D15/144
D864,266 S	*	10/2019	Chi	D15/146
D864,267 S	*	10/2019	Chi	D15/146
D867,410 S	*	11/2019	Du	D15/123
D875,800 S	*	2/2020	Chi	D15/146
D894,245 S	*	8/2020	Li	D15/123

FOREIGN PATENT DOCUMENTS

CN	205466990	*	8/2016
CN	106807731	*	6/2017
CN	2928475	*	8/2017
CN	206632103	*	11/2017

* cited by examiner

Primary Examiner — Michael C Stout

Assistant Examiner — Fritzgerald L Butac

(74) *Attorney, Agent, or Firm* — Demian K. Jackson;
Jackson IPG PLLC

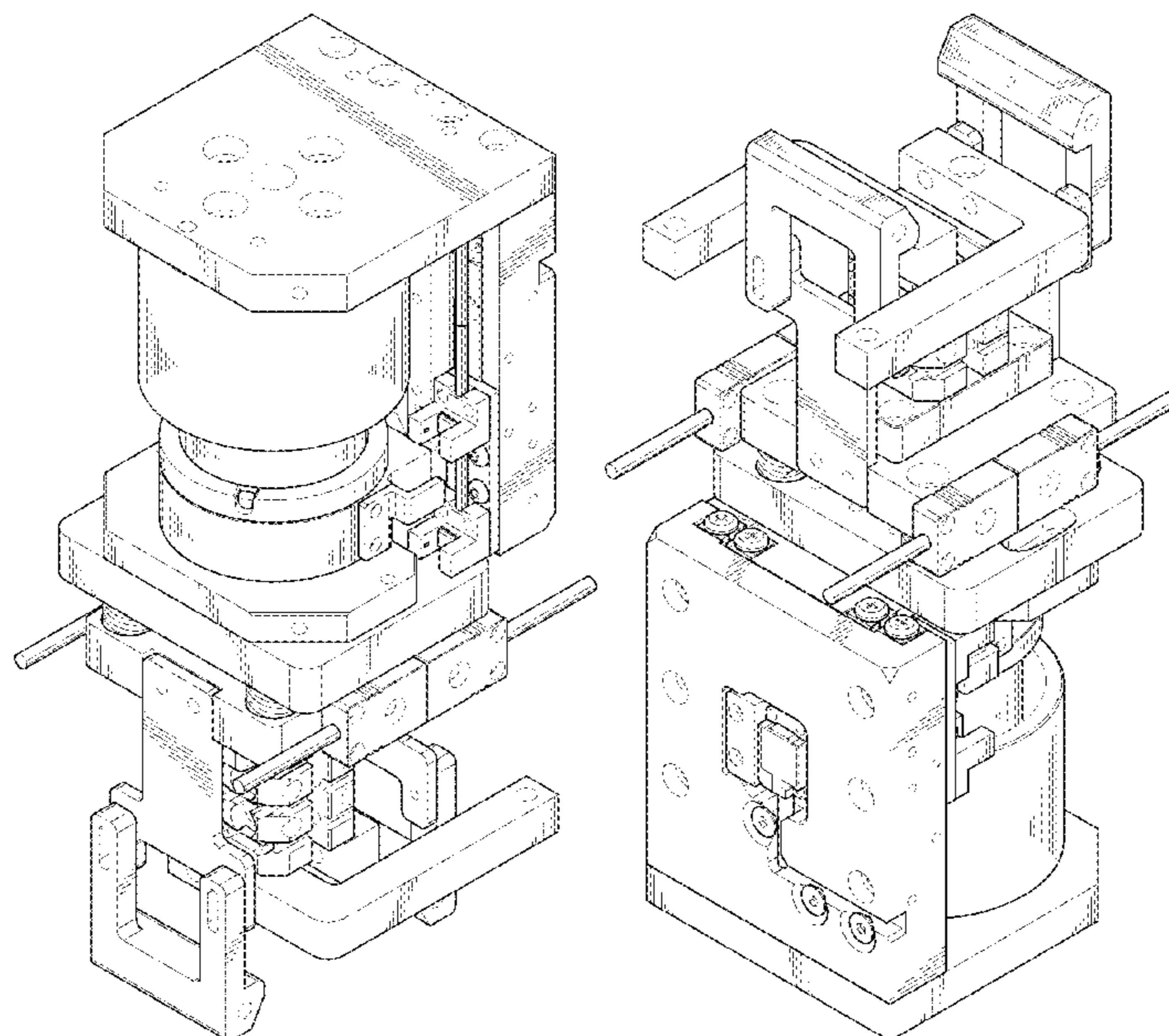
(57) **CLAIM**

The ornamental design for a hot press module of a heating machine, as shown and described.

DESCRIPTION

FIG. 1 is a perspective view showing my new design for a hot press module of a heating machine;
 FIG. 2 is a front elevation view thereof;
 FIG. 3 is a rear elevation view thereof;
 FIG. 4 is a left side elevation view thereof;
 FIG. 5 is a right side elevation view thereof;
 FIG. 6 is a top plan view thereof;
 FIG. 7 is a bottom plan view thereof;
 FIG. 8 is a perspective view showing from the rear view thereof;
 FIG. 9 is a perspective view showing from the left view thereof;
 FIG. 10 is a perspective view showing from the bottom view thereof;
 FIG. 11 is a perspective view showing from the left side of the bottom view thereof; and,
 FIG. 12 is a perspective view showing from the rear side of the bottom view thereof.
 The broken lines seen in FIGS. 1 to 12 show portions of a hot press module of a heating machine that form no part of the claimed design.

1 Claim, 12 Drawing Sheets



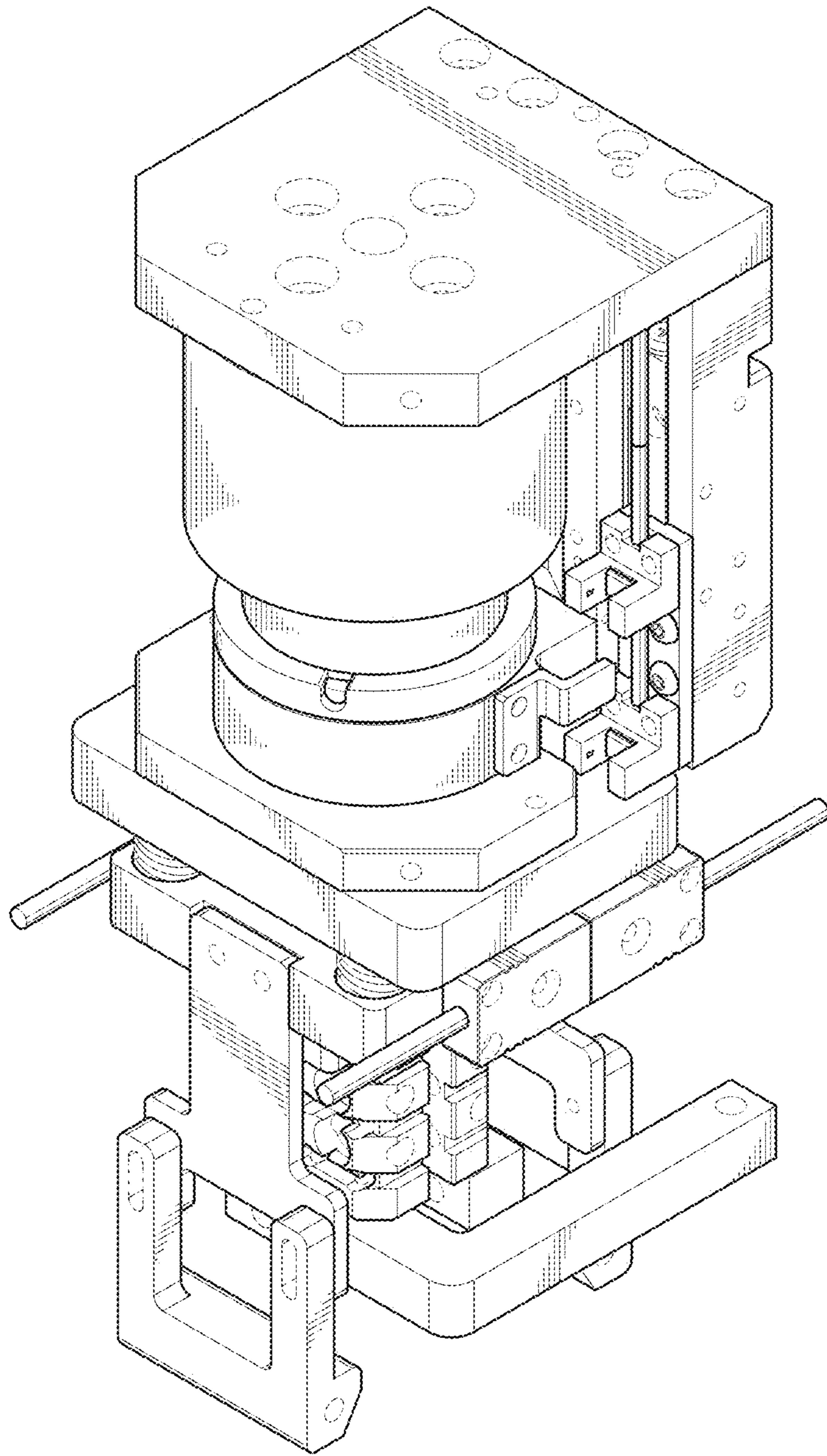


FIG. 1

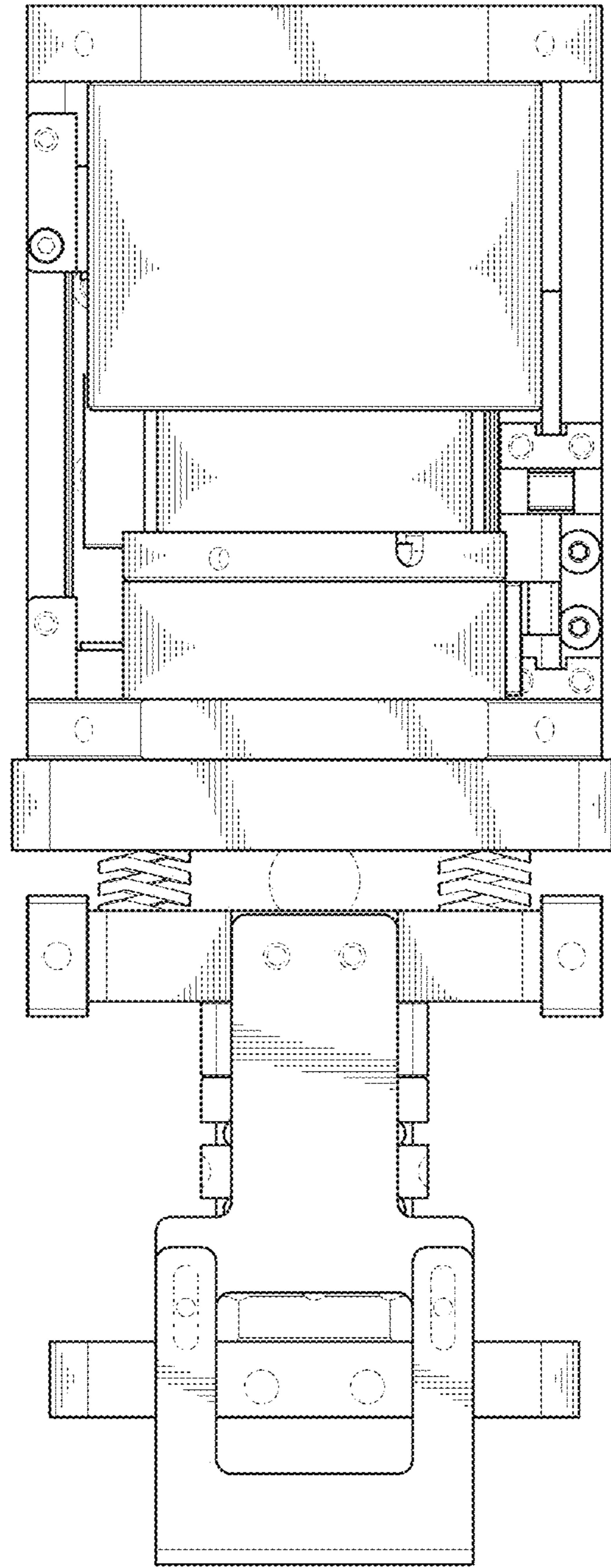


FIG. 2

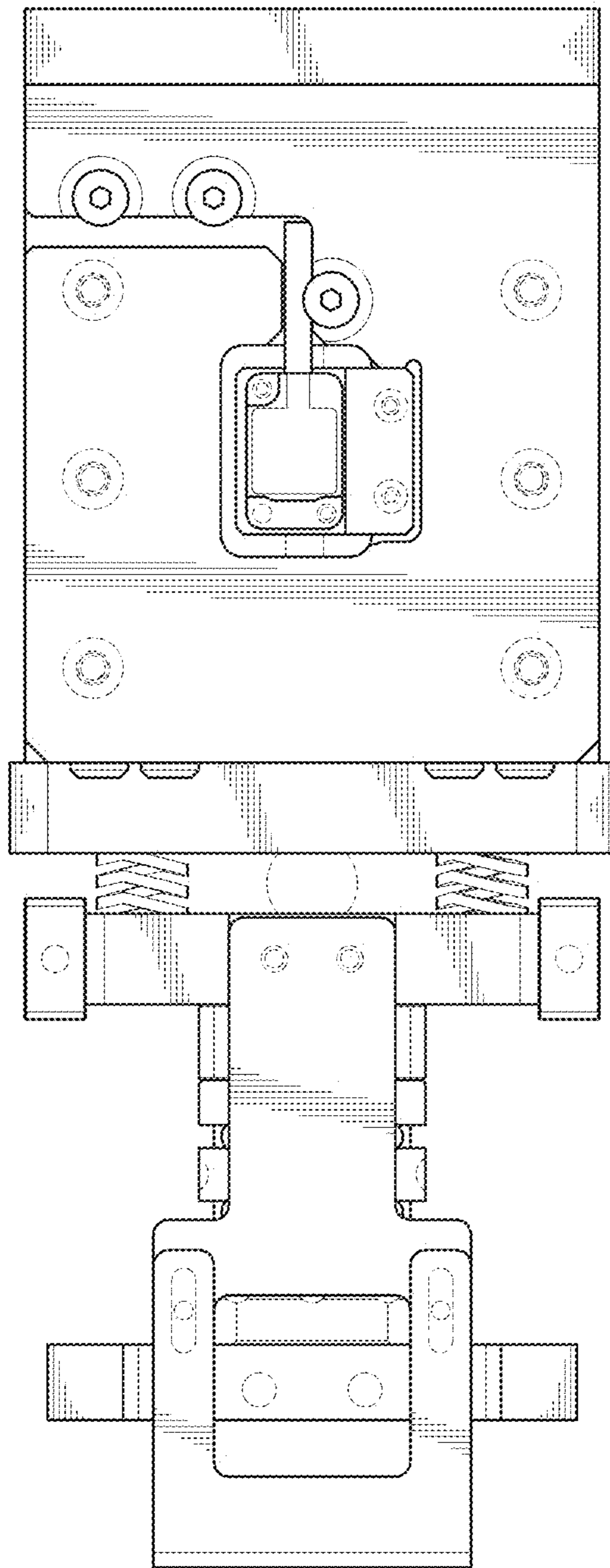


FIG. 3

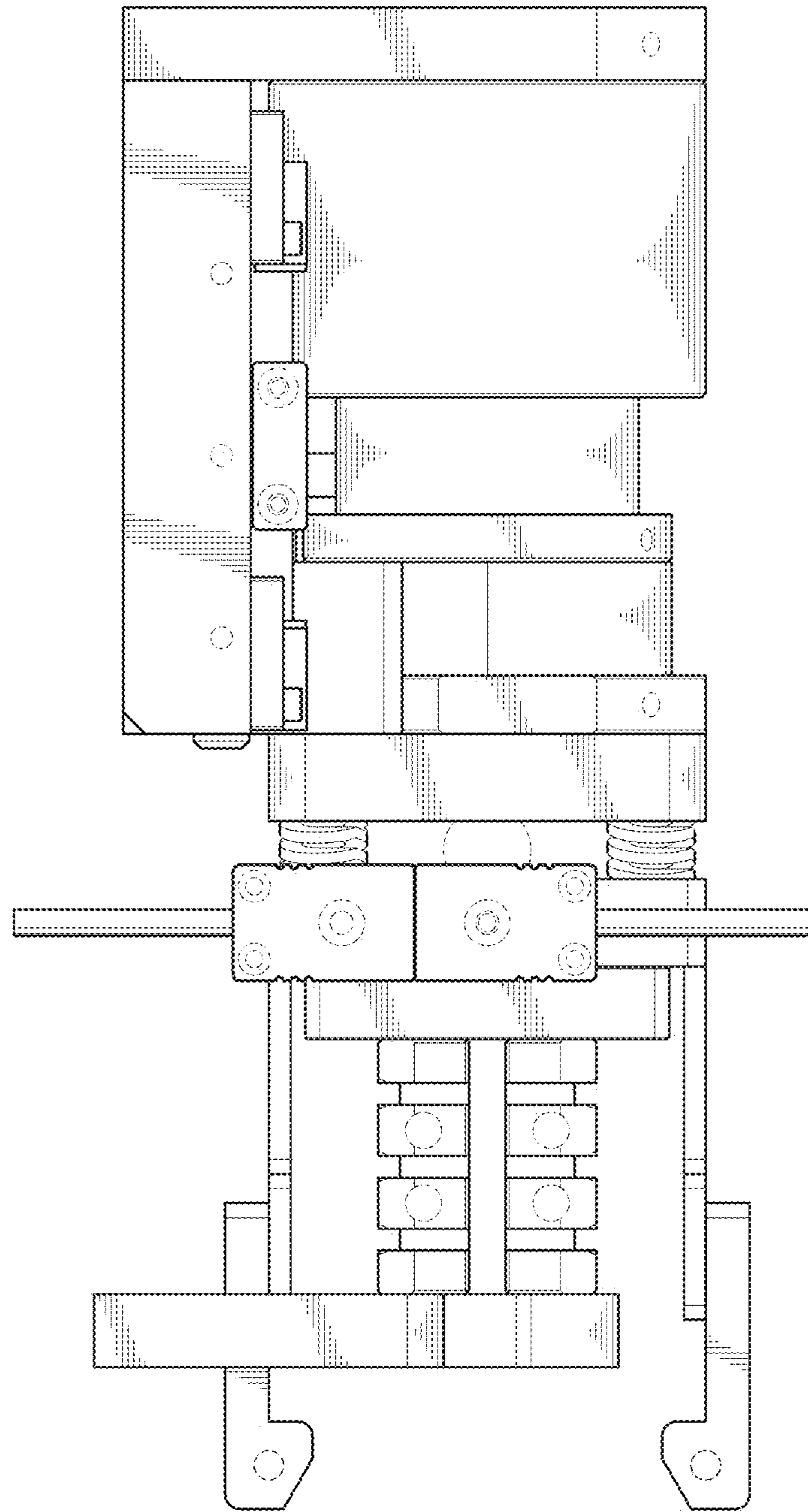


FIG. 4

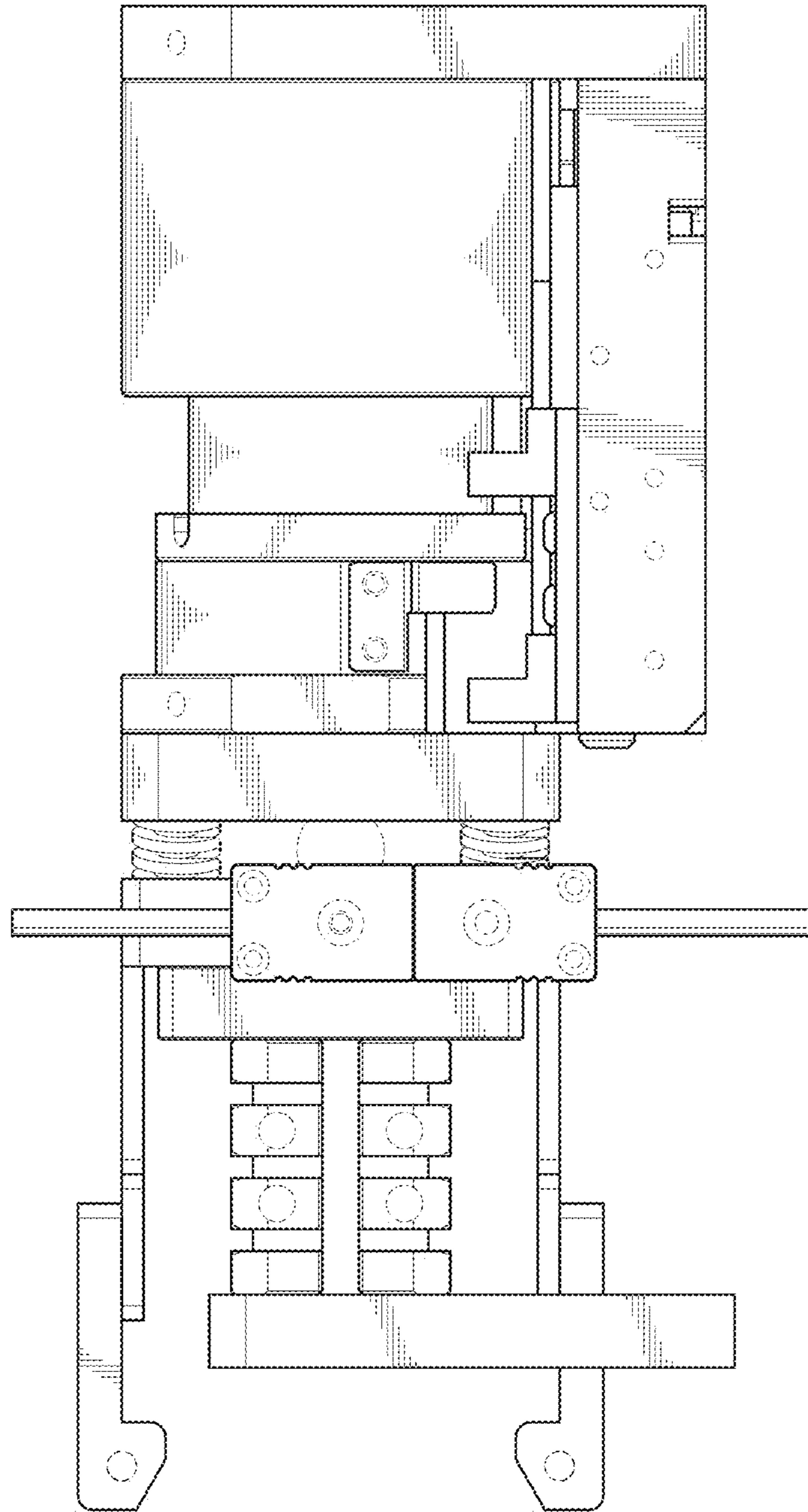


FIG. 5

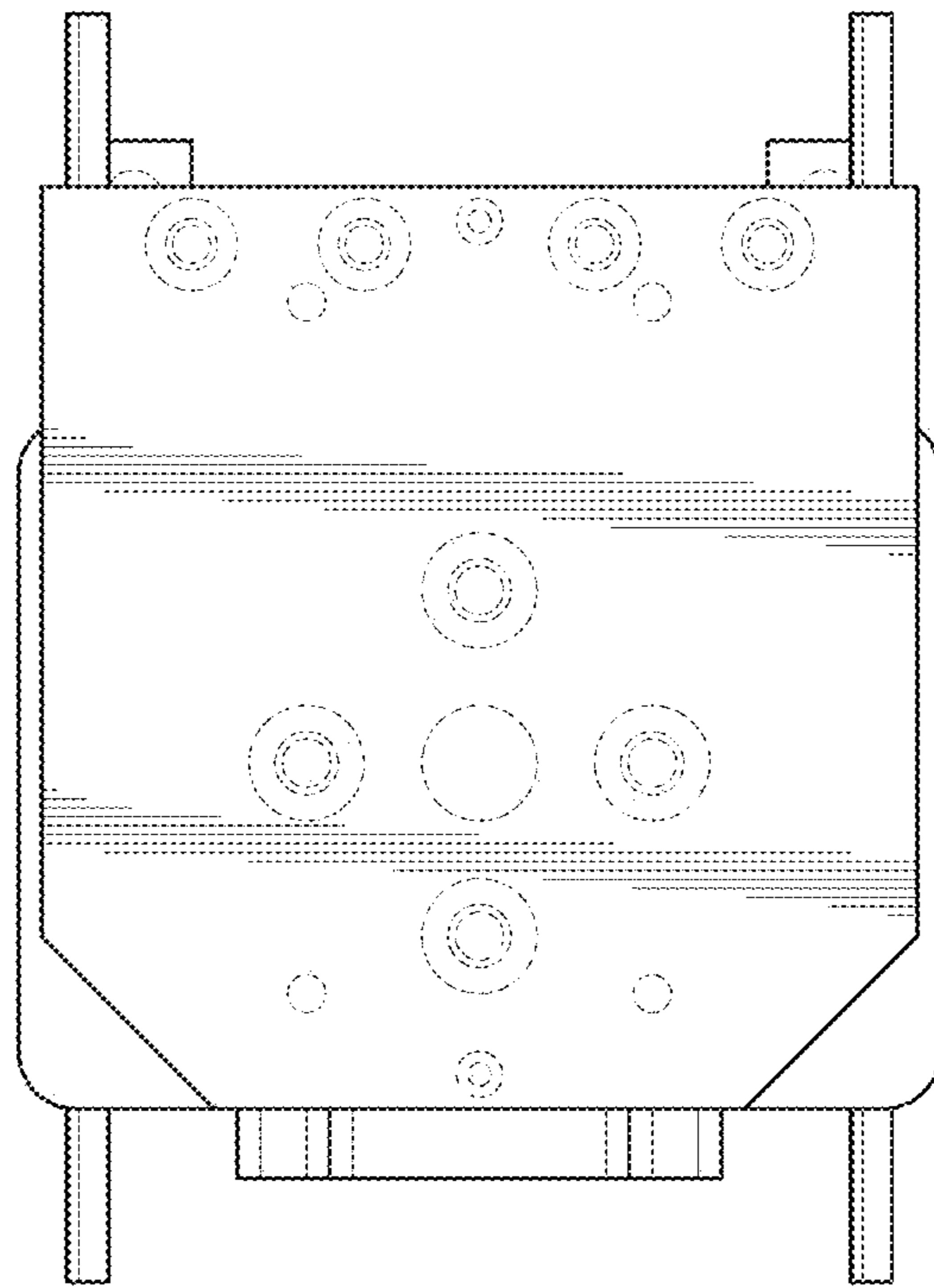


FIG. 6

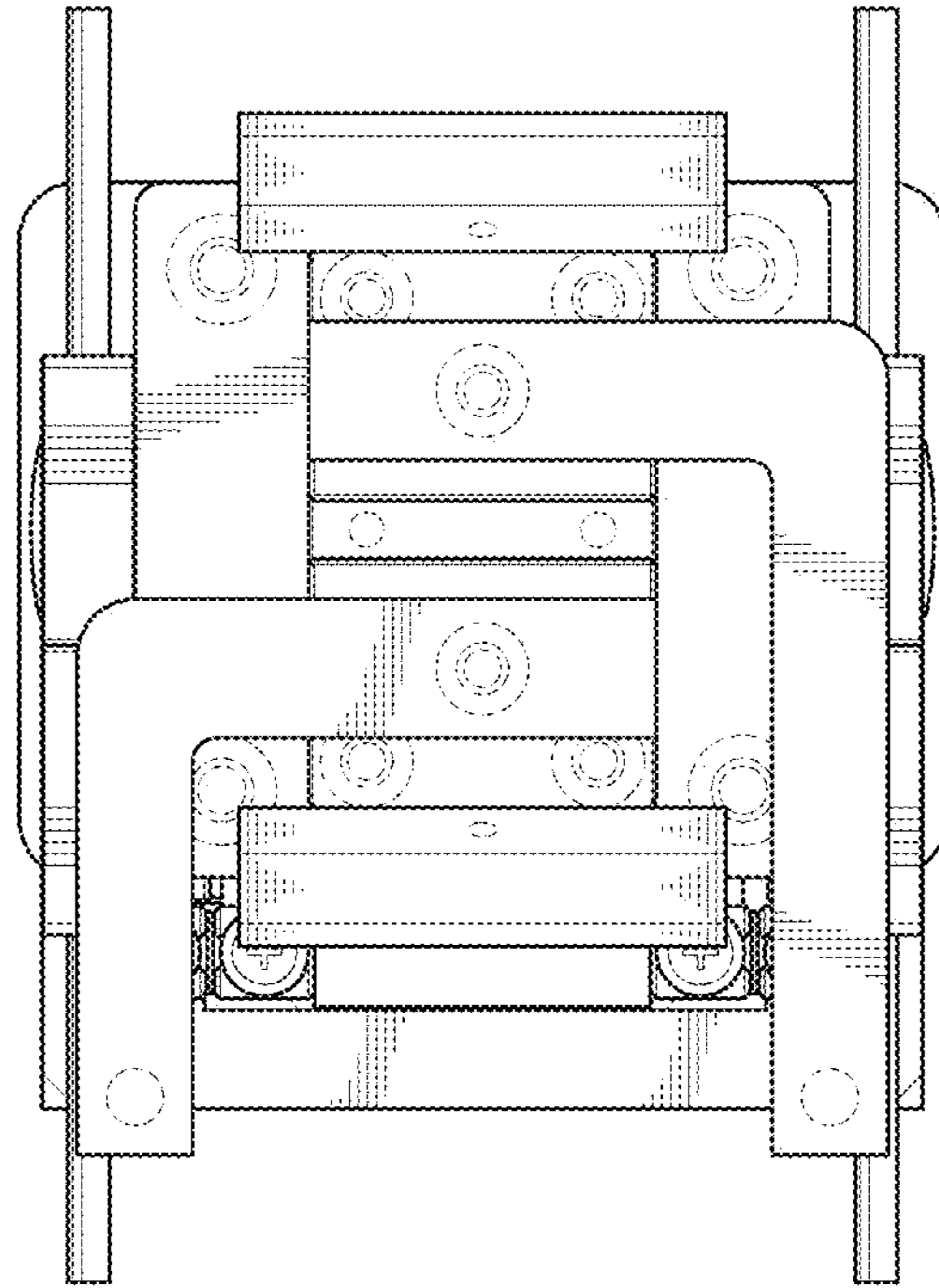


FIG. 7

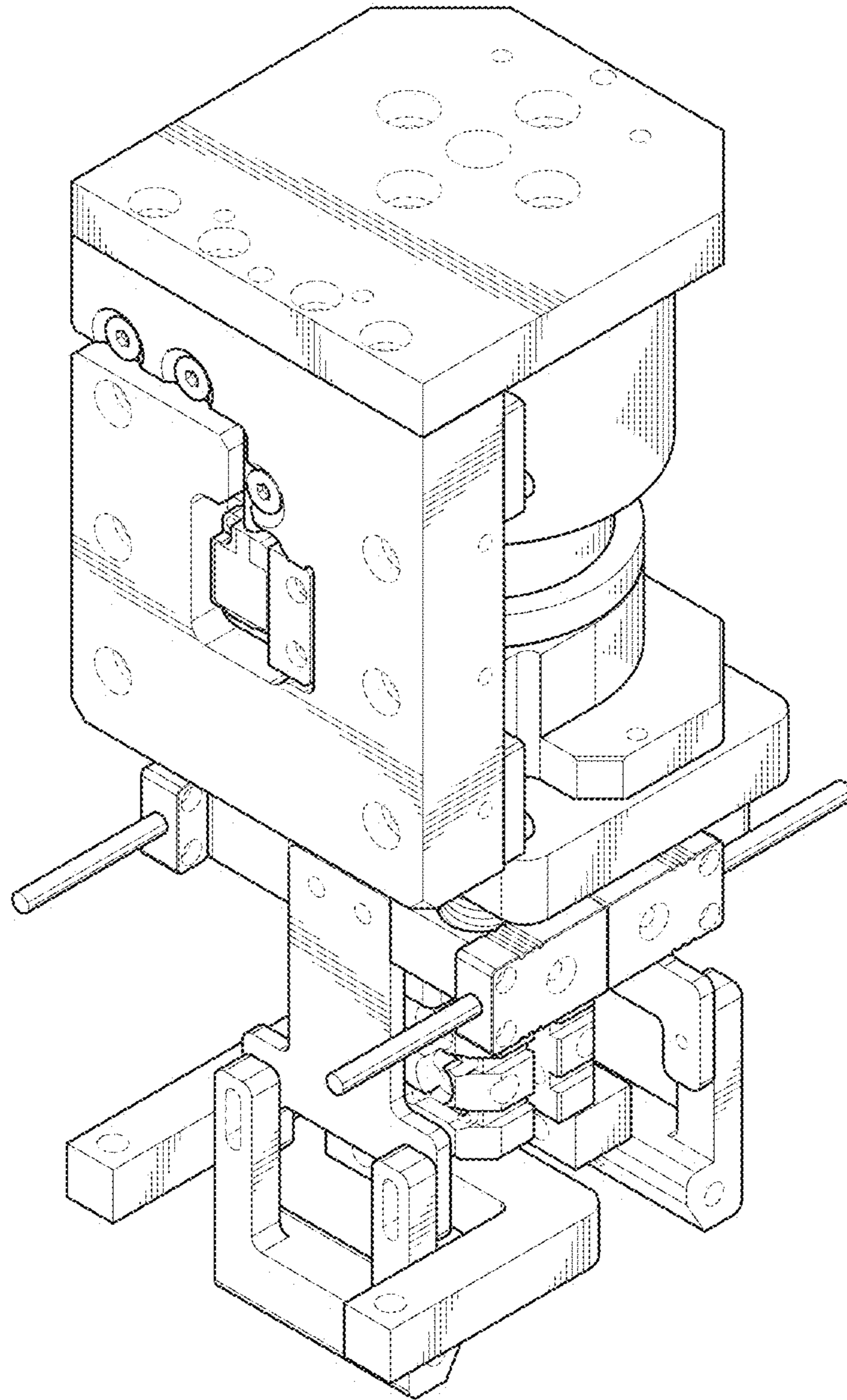


FIG. 8

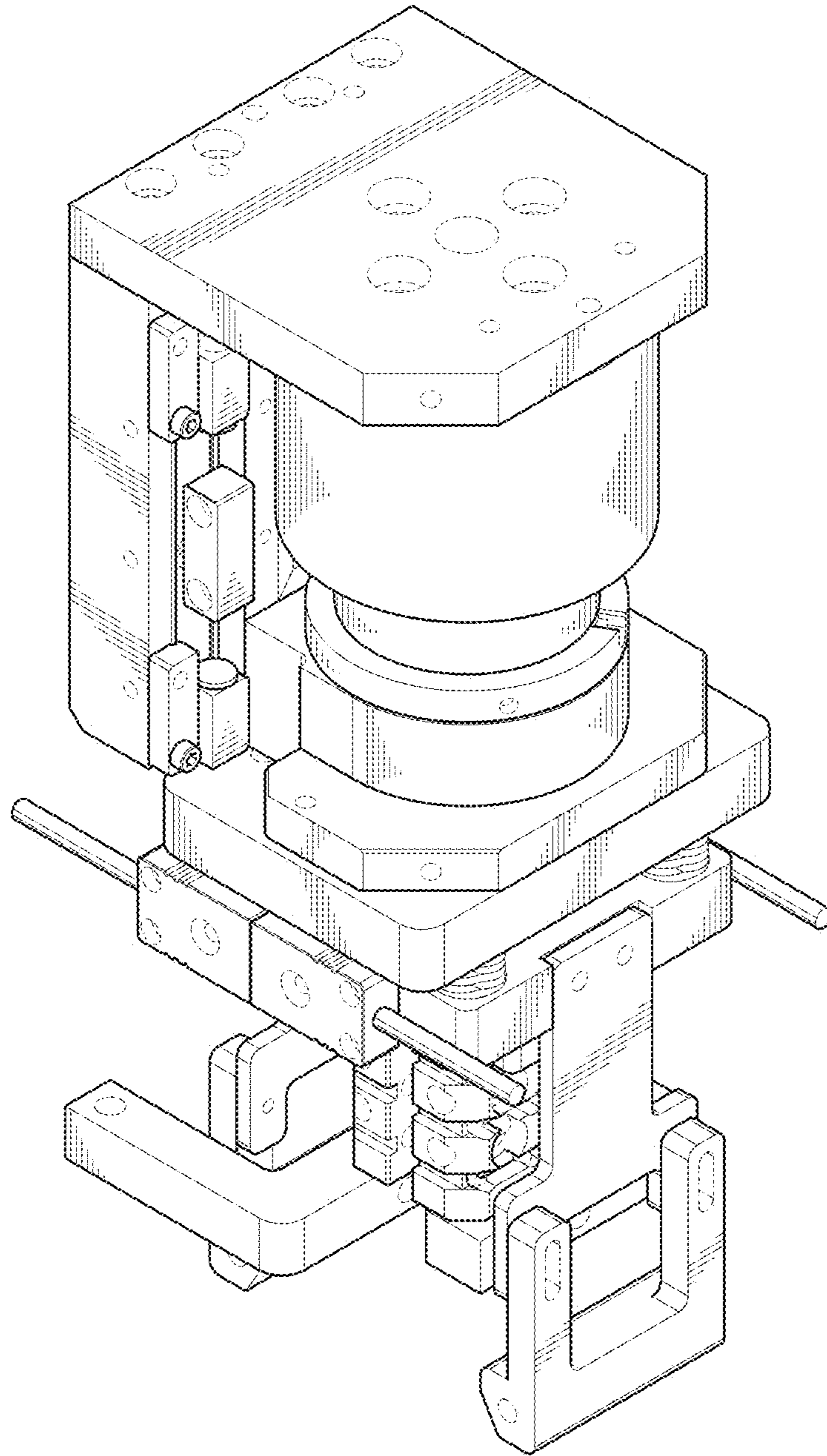


FIG. 9

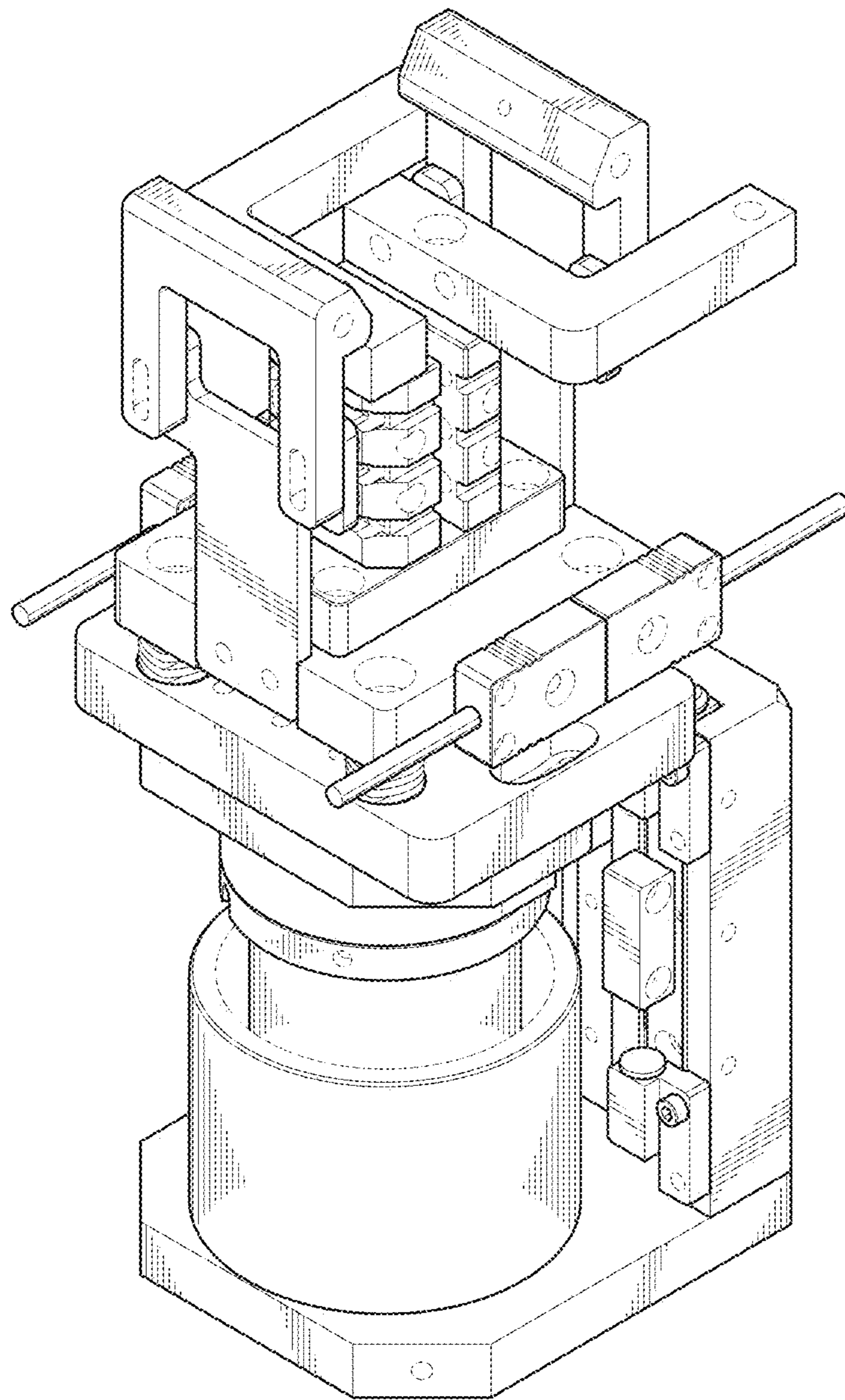


FIG. 10

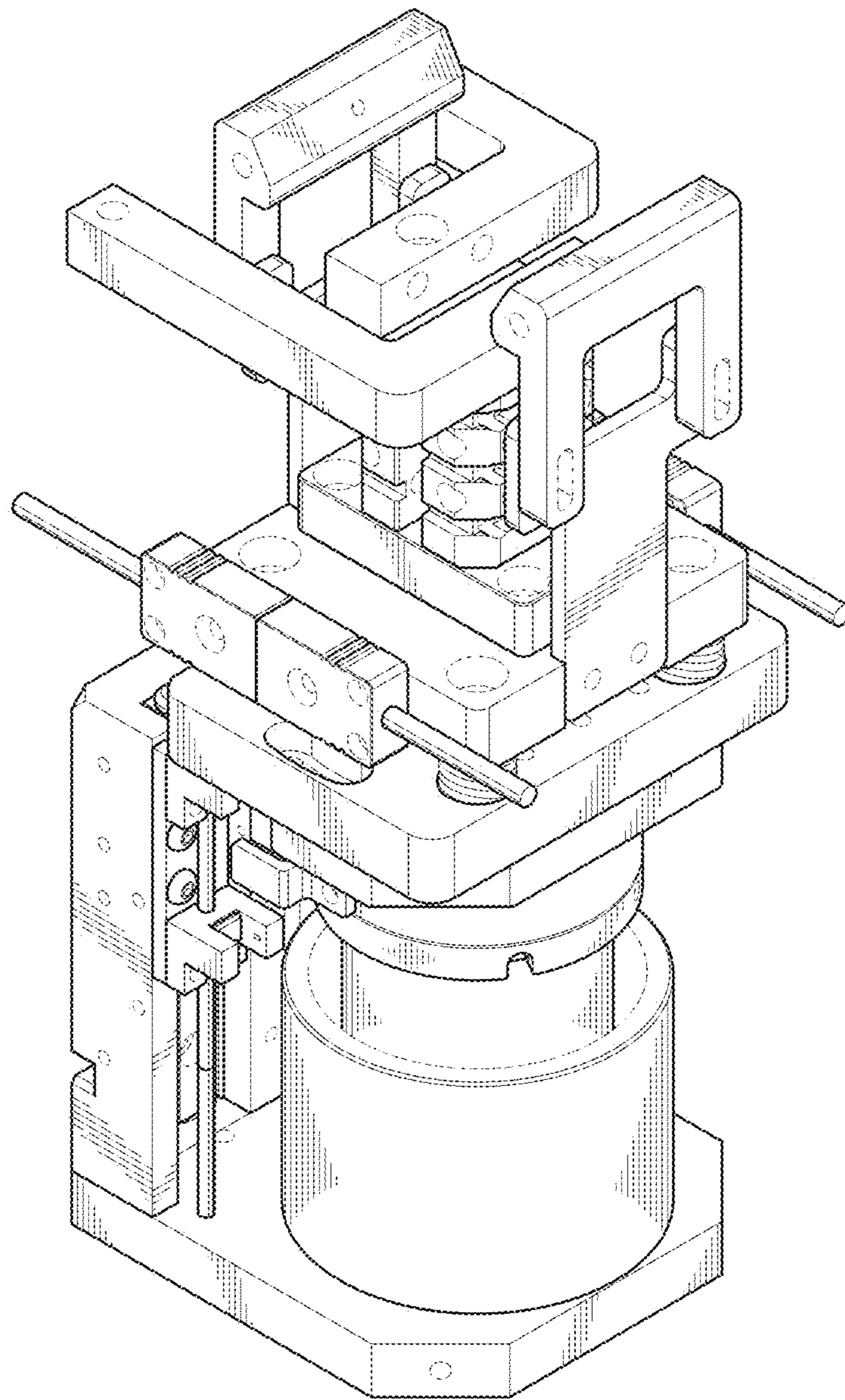


FIG. 11

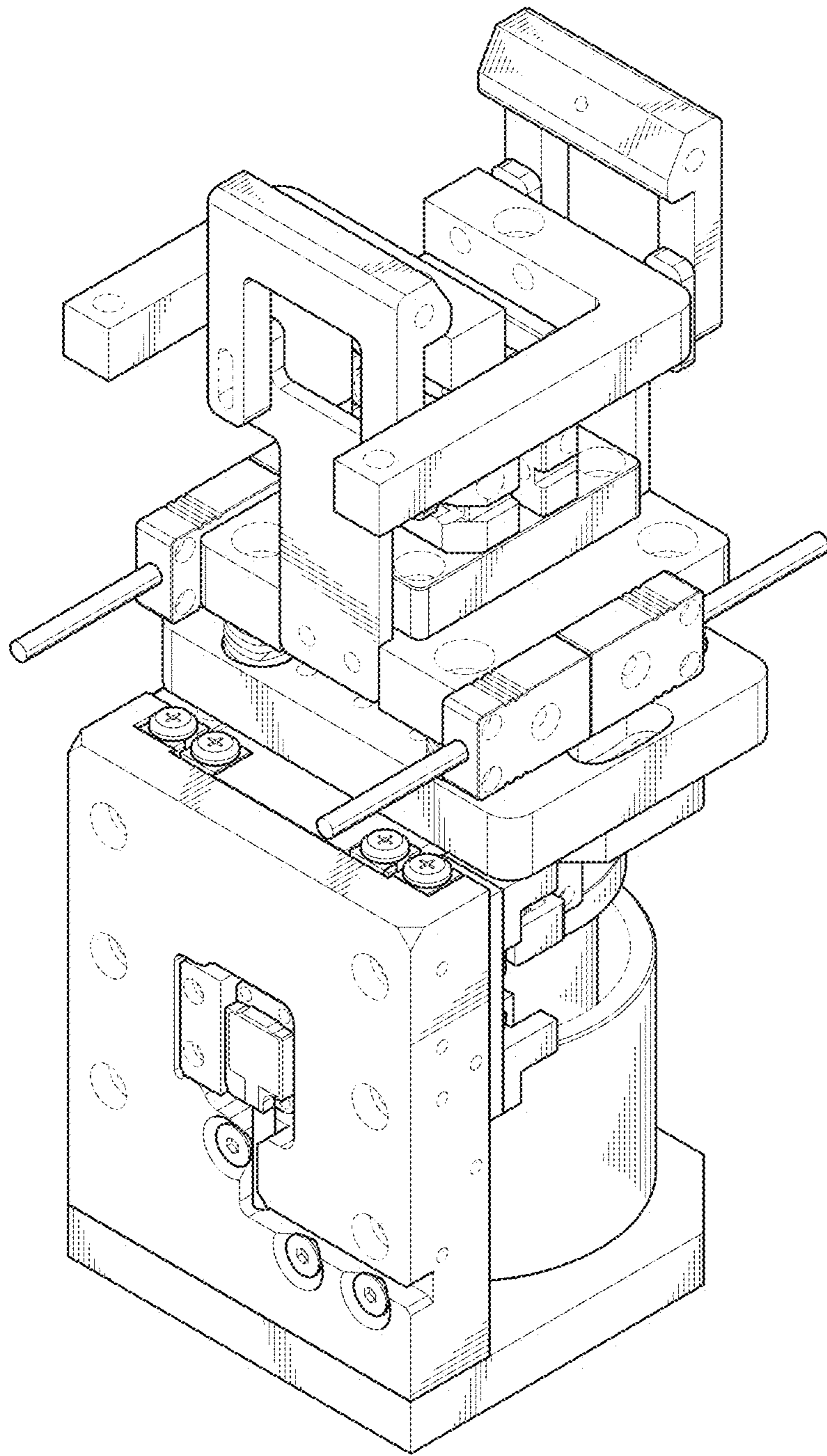


FIG. 12