



US00D907079S

(12) **United States Design Patent**
Favel et al.

(10) **Patent No.:** **US D907,079 S**

(45) **Date of Patent:** **** Jan. 5, 2021**

(54) **SAW PLATE**

(71) Applicant: **Affinity Tool Works, LLC**, Troy, MI (US)

(72) Inventors: **Garry Favel**, Kibbitz Kadarim (IL); **Tsvi Hershkovitz**, Karmiel (IL); **Mike Ursell**, Decatur, TX (US); **Connor Ursell**, Rochester Hills, MI (US); **Ken Neilson**, Rochester Hills, MI (US)

(73) Assignee: **Affinity Tool Works, LLC**, Troy, MI (US)

(**) Term: **15 Years**

(21) Appl. No.: **29/701,366**

(22) Filed: **Aug. 12, 2019**

(51) **LOC (13) Cl.** **15-09**

(52) **U.S. Cl.**
USPC **D15/133**

(58) **Field of Classification Search**
USPC D6/396; D8/64, 66, 67, 69, 70;
D15/133, 134, 140, 141, 127;
D34/12-14, 17
CPC . B23D 47/025; Y10T 83/7726; Y10T 83/773;
Y10T 83/856; Y10T 83/857
See application file for complete search history.

(56) **References Cited**

U.S. PATENT DOCUMENTS

D248,304 S *	6/1978	McCord, Jr.	D15/127
4,320,678 A *	3/1982	Volk	B23D 49/162 269/87.2
D273,195 S *	3/1984	Ferdinand	D15/141
4,817,482 A *	4/1989	Dunaway, Jr.	B27B 27/02 83/438
D404,404 S *	1/1999	Lane	D15/133
D404,405 S *	1/1999	Hammett	D15/133
D412,334 S *	7/1999	DiSabatino	D15/133

D424,586 S *	5/2000	Rugen	D15/133
D508,928 S *	8/2005	Chen	D15/133
D520,775 S *	5/2006	Liu	D15/141
D595,324 S *	6/2009	Wu	D15/141
D602,053 S *	10/2009	Heflin	D15/133
7,726,224 B1 *	6/2010	Panko	B23D 47/04 83/468.3
D660,332 S *	5/2012	Thompson, Jr.	D15/141
D721,108 S *	1/2015	Wise	D15/141

(Continued)

Primary Examiner — Michael C Stout

Assistant Examiner — Fritzgerald L Butac

(74) *Attorney, Agent, or Firm* — William H. Honaker;
Dickinson Wright PLLC

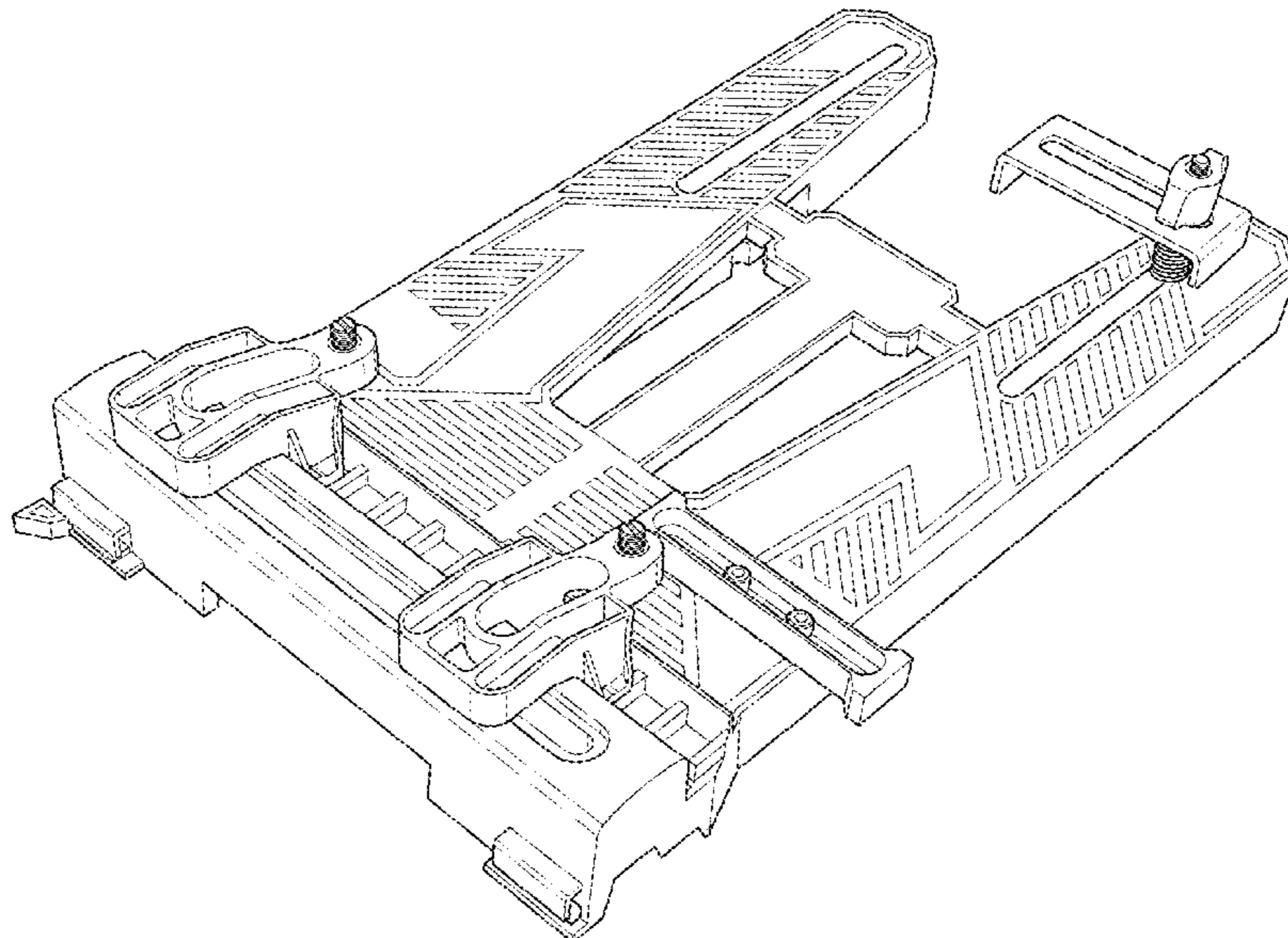
(57) **CLAIM**

The ornamental design for a saw plate, as shown and described herein.

DESCRIPTION

FIG. 1 is a perspective view of the saw plate of the present invention with a saw attached shown in phantom.
 FIG. 2 is a perspective view of the saw plate of the present invention.
 FIG. 3 is a top view of the saw plate of the present invention.
 FIG. 4 is a bottom view of the saw plate of the present invention.
 FIG. 5 is a first side view of the saw plate of the present invention.
 FIG. 6 is a second side view of the saw plate of the present invention.
 FIG. 7 is a first end view of the saw plate of the present invention; and,
 FIG. 8 is a second end view of the saw plate of the present invention.
 The broken lines shown in the drawings are included for the purpose of illustrating environmental structure and form no part of the claimed design.

1 Claim, 6 Drawing Sheets



(56)

References Cited

U.S. PATENT DOCUMENTS

2015/0020672 A1* 1/2015 Ursell B23D 59/00
83/821
2015/0321374 A1* 11/2015 Ursell B23D 59/00
83/821

* cited by examiner

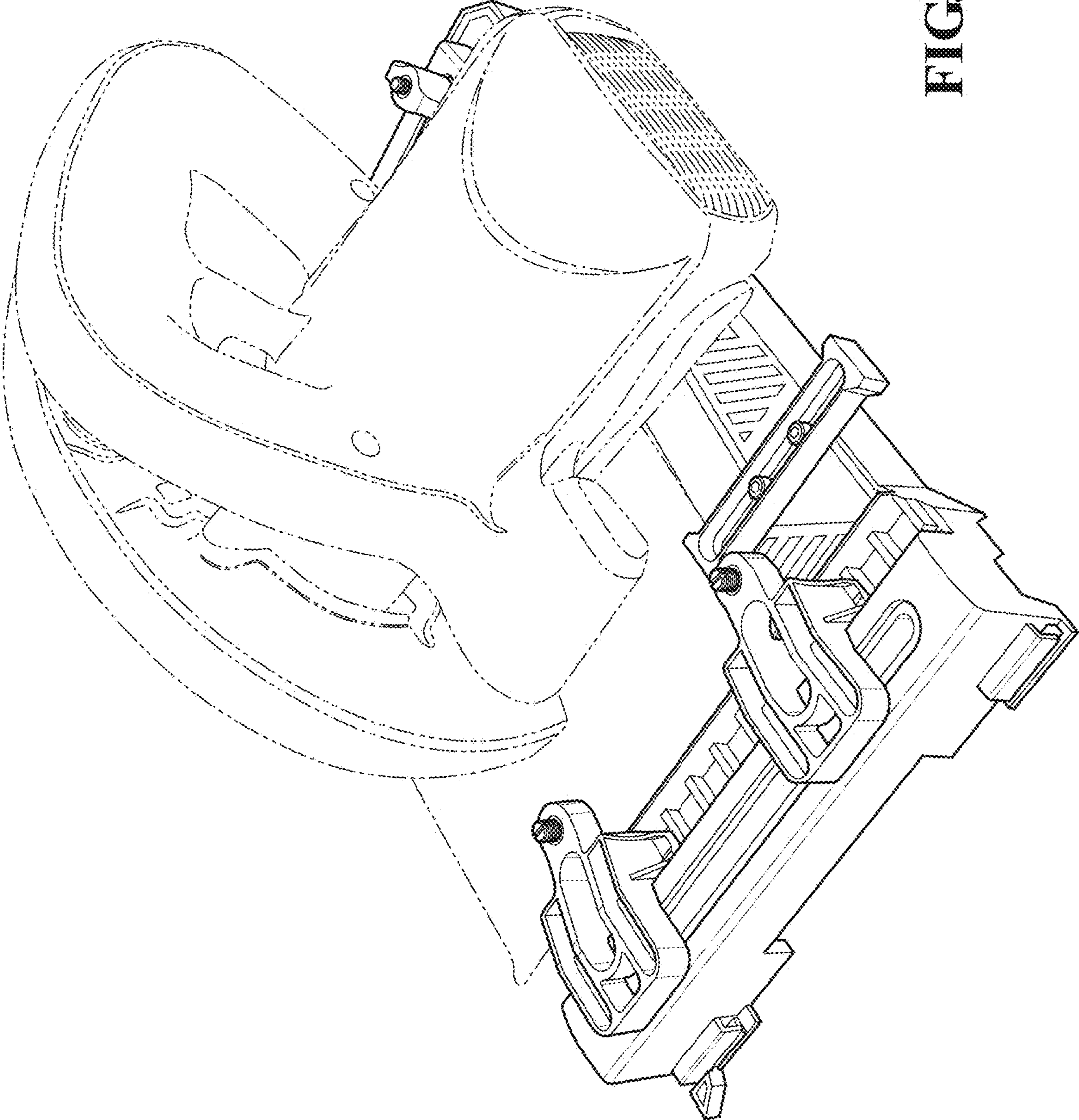


FIG. 1

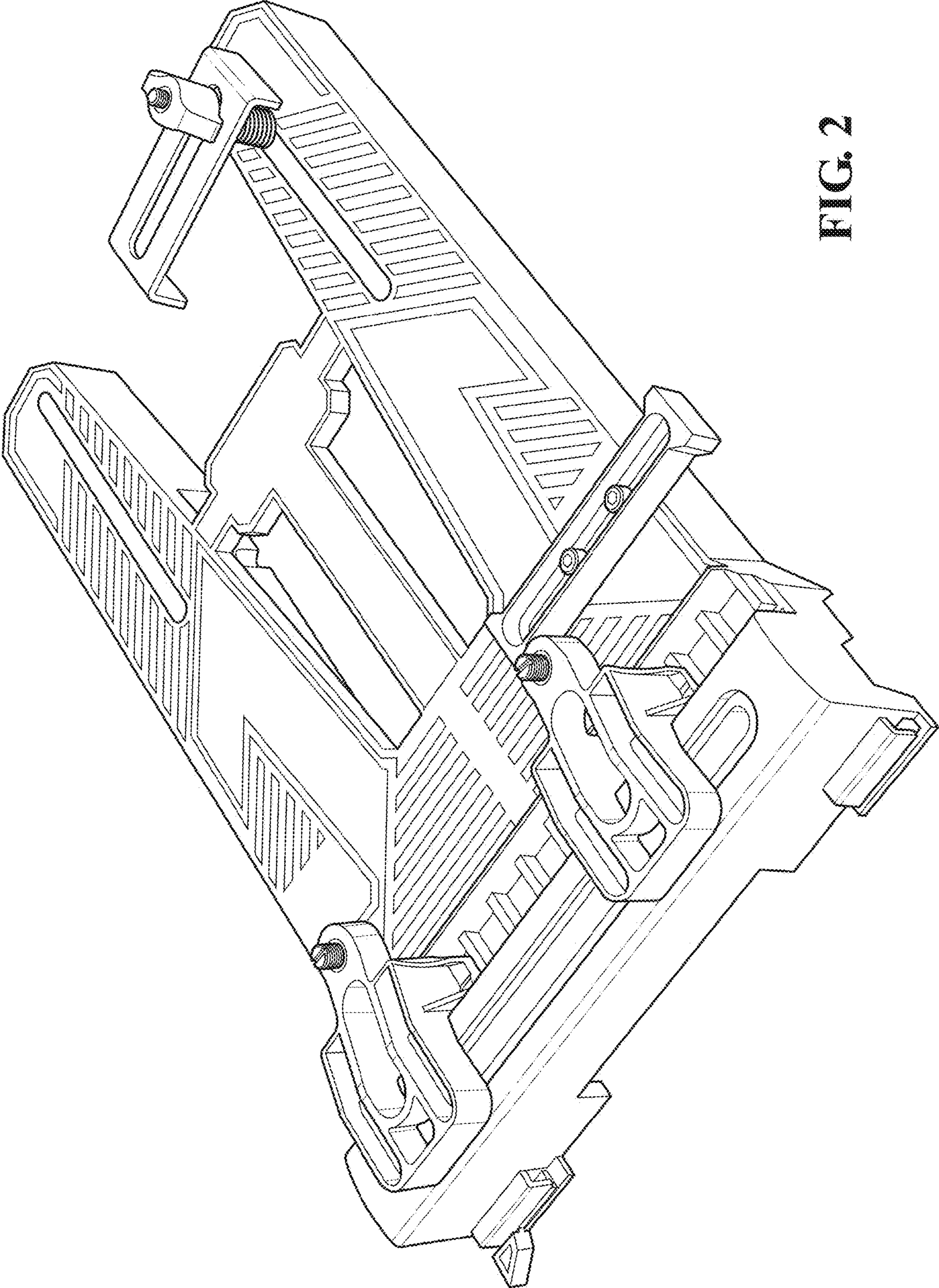


FIG. 2

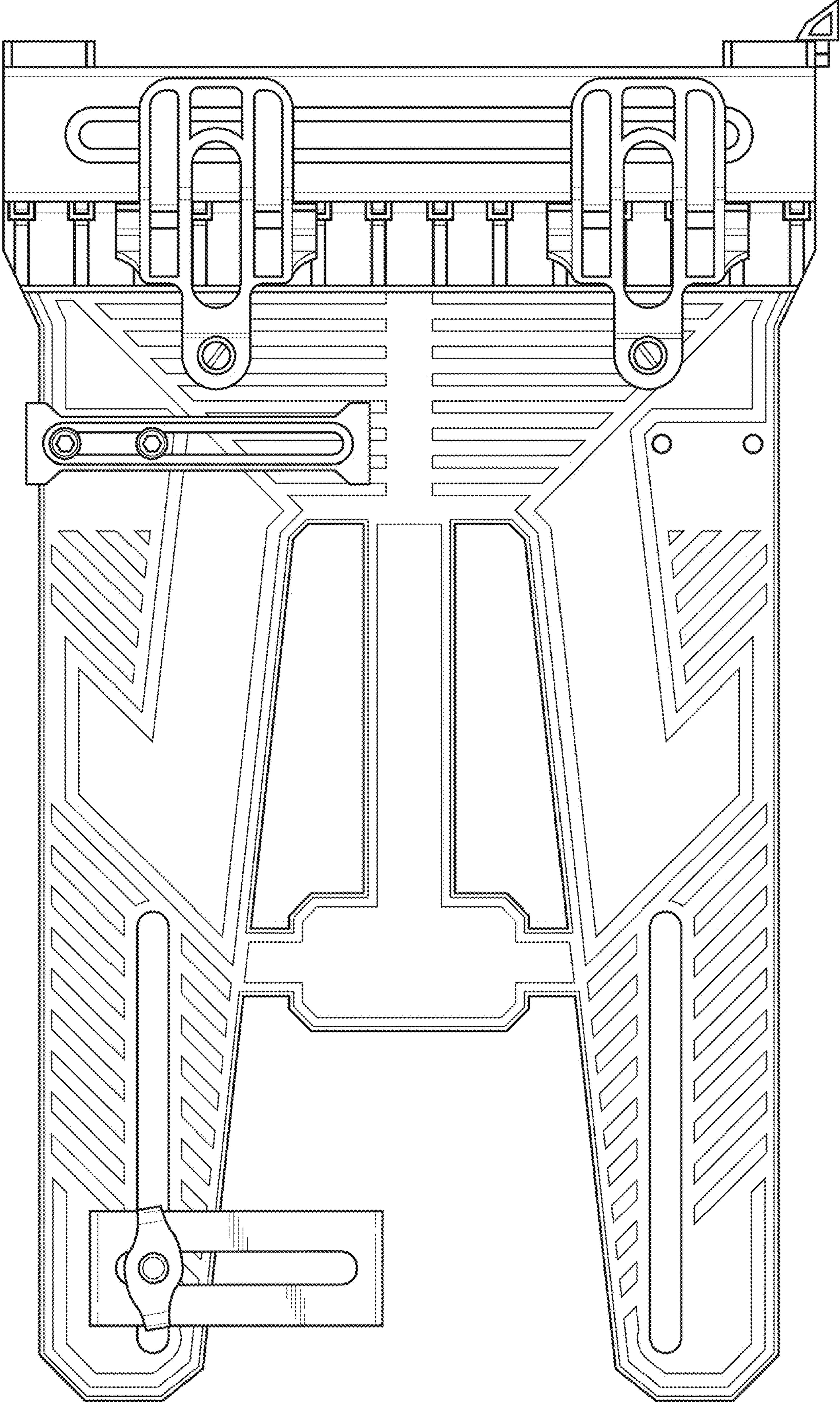


FIG. 3

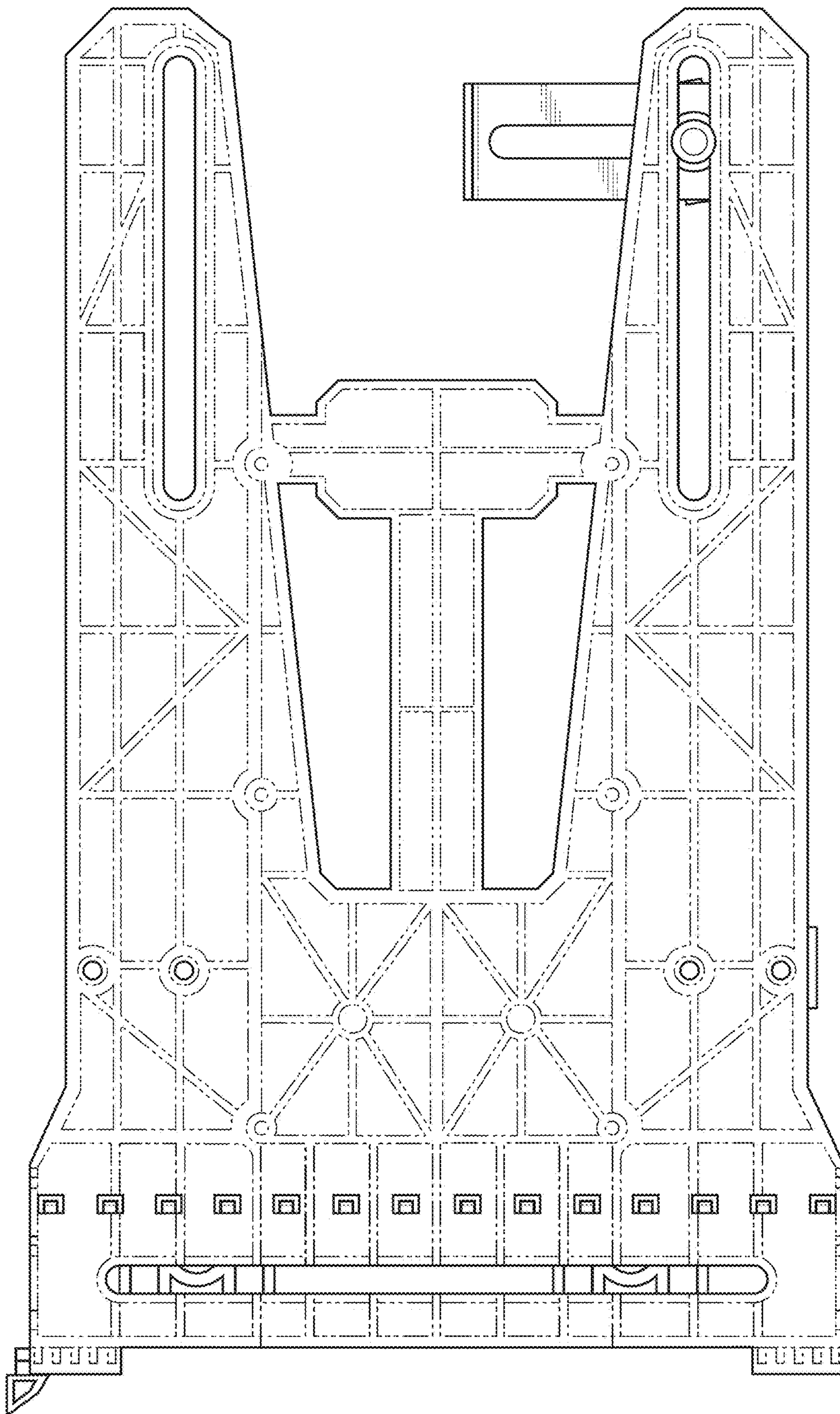


FIG. 4

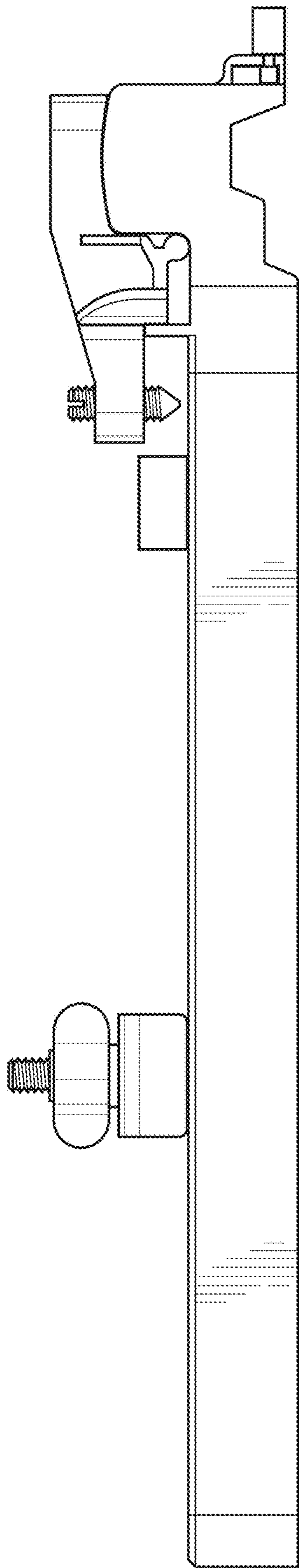


FIG. 5

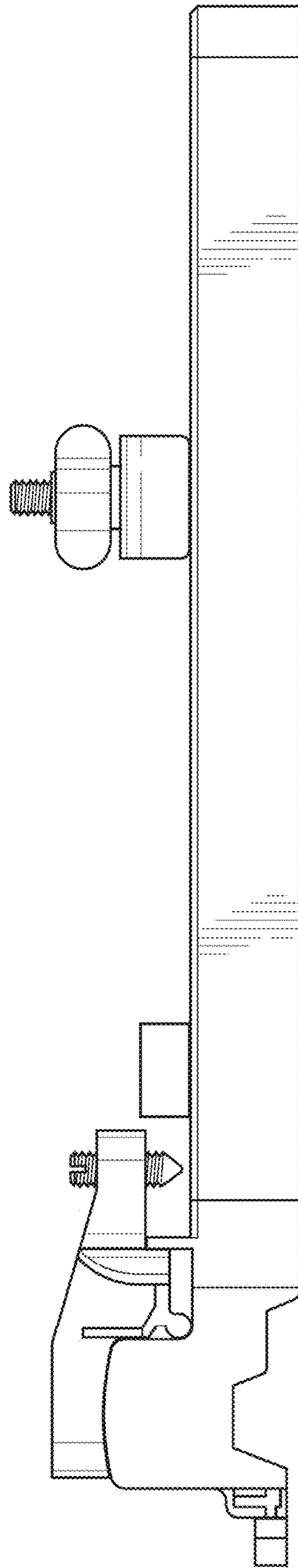


FIG. 6

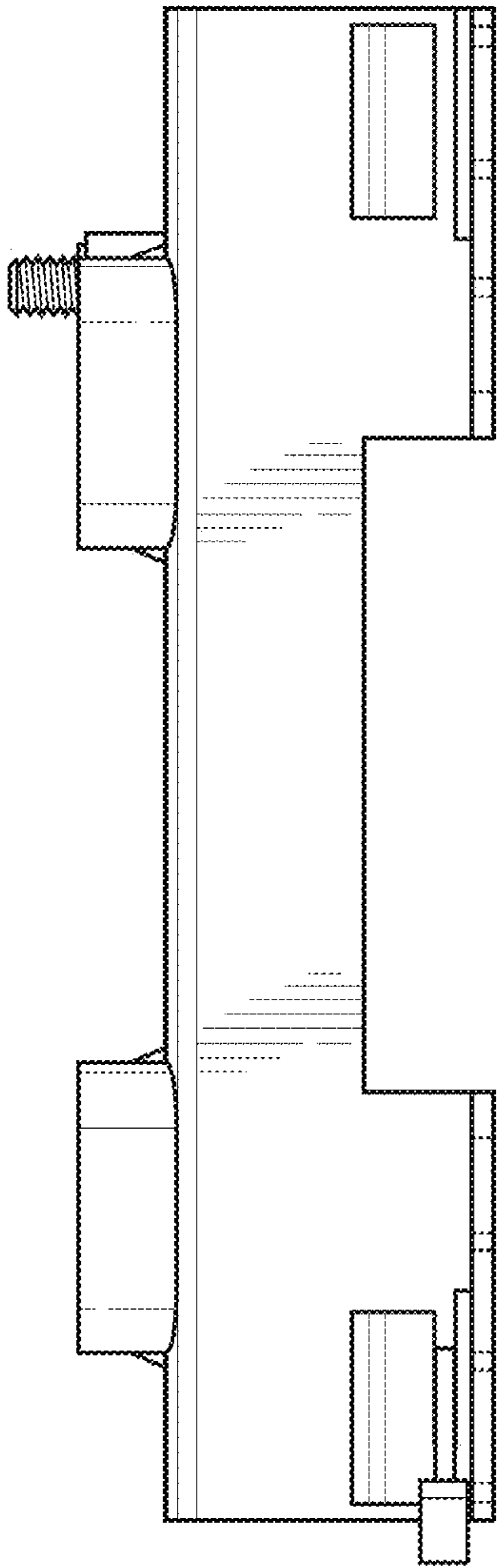


FIG. 7

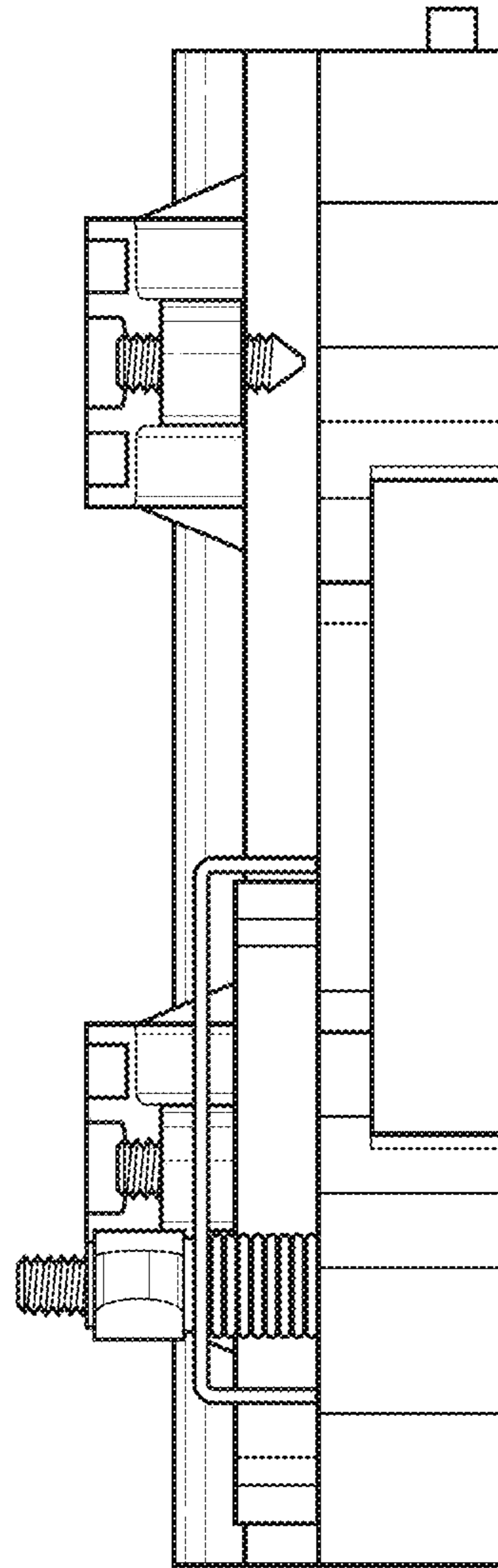


FIG. 8