



US00D907077S

(12) **United States Design Patent**  
**Gjovik et al.**

(10) **Patent No.:** **US D907,077 S**  
(45) **Date of Patent:** **\*\* Jan. 5, 2021**

(54) **THREE-DIMENSIONAL PRINTER**

(71) Applicant: **Essentium Inc.**, College Station, TX  
(US)

(72) Inventors: **Erik John Gjovik**, Aliso Viejo, CA  
(US); **William Jack MacNeish, III**,  
Newport Beach, CA (US)

(73) Assignee: **ESSENTIUM INC.**, College Station,  
TX (US)

(\*\*) Term: **15 Years**

(21) Appl. No.: **29/679,089**

(22) Filed: **Feb. 1, 2019**

(51) **LOC (13) Cl.** ..... **15-09**

(52) **U.S. Cl.**  
USPC ..... **D15/122; D15/135**

(58) **Field of Classification Search**  
USPC ..... D15/122, 135, 199; D18/50, 59; 425/6,  
425/78, 131.1; 264/129  
CPC .. H04N 1/04; H04N 1/00827; H04N 1/00559;  
H04N 1/00541; B29C 64/245; B29C  
64/20; B29C 64/236; B29C 64/232; B29C  
64/00; B29C 64/209; B29C 64/386; B29C  
64/393; B29C 48/802; B29C 48/0255;  
B29C 48/92; B33Y 50/00  
See application file for complete search history.

(56) **References Cited**

**U.S. PATENT DOCUMENTS**

D561,248 S *	2/2008	Lee	.....	D18/50
D677,723 S *	3/2013	Buel	.....	D18/59
D688,741 S *	8/2013	Joyce	.....	D18/50
D722,108 S *	2/2015	Reches	.....	D18/50
D730,979 S *	6/2015	Anantha	.....	D18/50
D732,586 S *	6/2015	Chen	.....	D15/122
D737,345 S *	8/2015	Anantha	.....	D15/122
D737,346 S *	8/2015	Anantha	.....	D15/122
D752,661 S *	3/2016	Anantha	.....	D15/122

D770,545 S *	11/2016	Olive	.....	D15/122
D776,727 S *	1/2017	Wolf	.....	D15/122
D777,808 S *	1/2017	Chang	.....	D15/122
D850,501 S *	6/2019	Schmitt	.....	D15/122
D865,009 S *	10/2019	Kobayashi	.....	D15/122

(Continued)

**OTHER PUBLICATIONS**

HSE 180-S Essentium, Earliest Available Date Dec. 31, 2018  
[Online], [Site visited Jun. 24, 2020] Available From Internet,  
URL:<<https://www.aniwaa.com/product/3d-printers/essentium-hse-180-s/>> (Year: 2018).\*

(Continued)

*Primary Examiner* — Sandra Snapp

*Assistant Examiner* — Donald B Rose, Jr.

(74) *Attorney, Agent, or Firm* — Vivacqua Crane

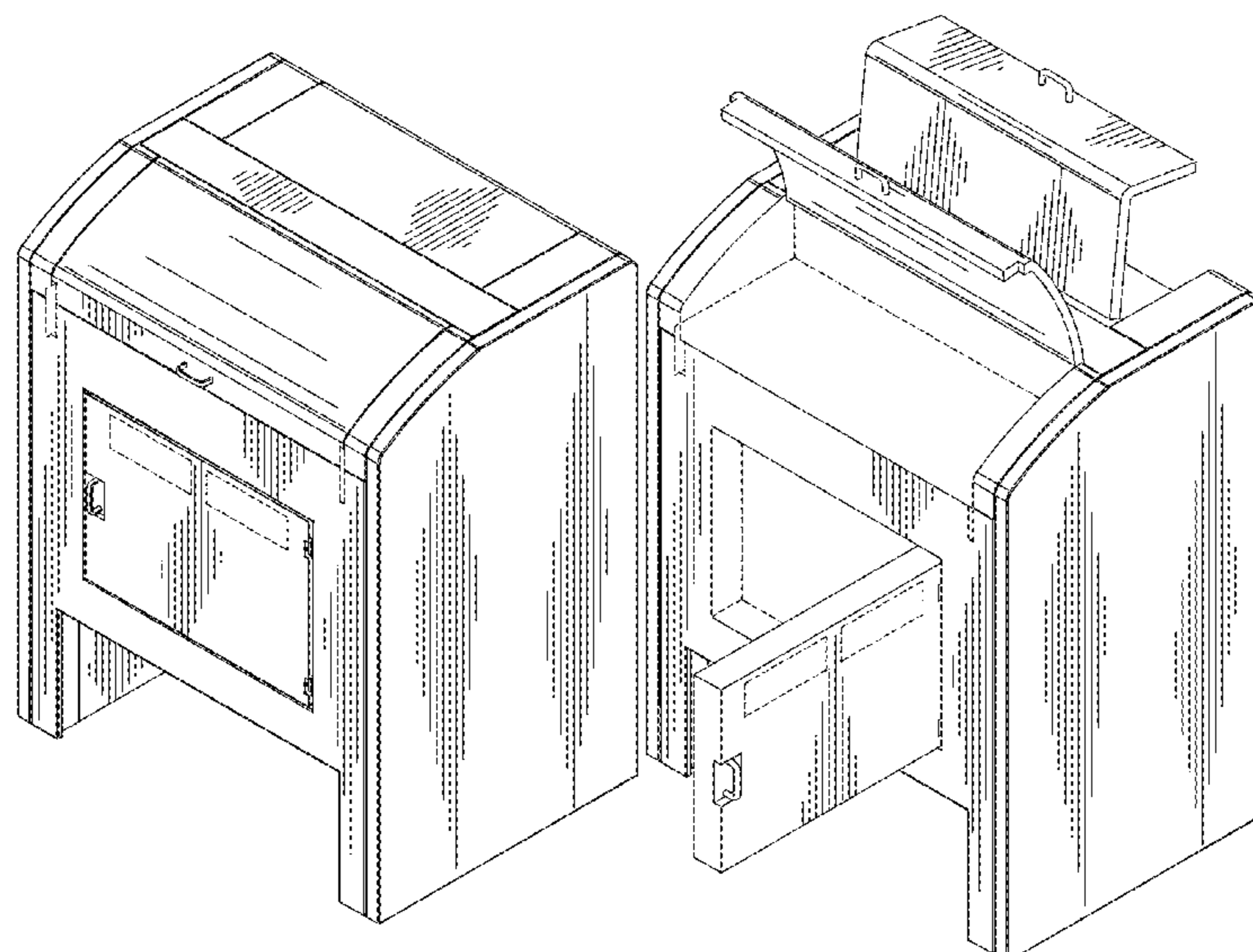
(57) **CLAIM**

The ornamental design for a three-dimensional printer, as shown and described.

**DESCRIPTION**

FIG. 1 is a front perspective view of a three-dimensional printer showing our new design, with the access doors shown in the closed condition;  
FIG. 2 is a front view thereof;  
FIG. 3 is a rear view thereof;  
FIG. 4 is a left side view thereof;  
FIG. 5 is a right view thereof;  
FIG. 6 is a top view thereof;  
FIG. 7 is a bottom view thereof; and,  
FIG. 8 is a front perspective view of the three-dimensional printer showing our new design, with the access doors shown in the open condition.  
The broken lines show in FIGS. 1, 2, and 8 are included for the purpose of illustrating portions of the three-dimensional printer that form no part of the claimed design.

**1 Claim, 7 Drawing Sheets**



(56)

**References Cited**

U.S. PATENT DOCUMENTS

D871,463 S \* 12/2019 Cao ..... D15/122  
D879,850 S \* 3/2020 Wolf ..... D15/199  
2016/0067920 A1\* 3/2016 Fontaine ..... B29C 64/393  
264/255  
2016/0151840 A1\* 6/2016 McCoy ..... B29C 64/205  
425/78  
2016/0193709 A1\* 7/2016 Johnson ..... B29C 64/20  
29/560  
2017/0129172 A1\* 5/2017 Waatti ..... B29C 64/236  
2017/0259500 A1\* 9/2017 Miller ..... B41J 11/008  
2017/0355139 A1\* 12/2017 Wolf ..... B29C 64/209  
2019/0061249 A1\* 2/2019 Lee ..... B29C 64/209  
2020/0254689 A1\* 8/2020 Gjovik ..... B29C 64/209

OTHER PUBLICATIONS

Dremel Digilab 3D20 3D Printer, Idea Builder for Brand New Hobbyists, Earliest Review Date Sep. 30, 2014 [Online], [Site visited Jun. 24, 2020] Available From Internet, URL:<[https://www.amazon.com/Dremel-Digilab-Printer-Hobbyists-Tinkerers/dp/B00NA00MWS/ref=cm\\_cr\\_arp\\_d\\_product\\_top?ie=UTF8](https://www.amazon.com/Dremel-Digilab-Printer-Hobbyists-Tinkerers/dp/B00NA00MWS/ref=cm_cr_arp_d_product_top?ie=UTF8)> (Year: 2014).\*

\* cited by examiner

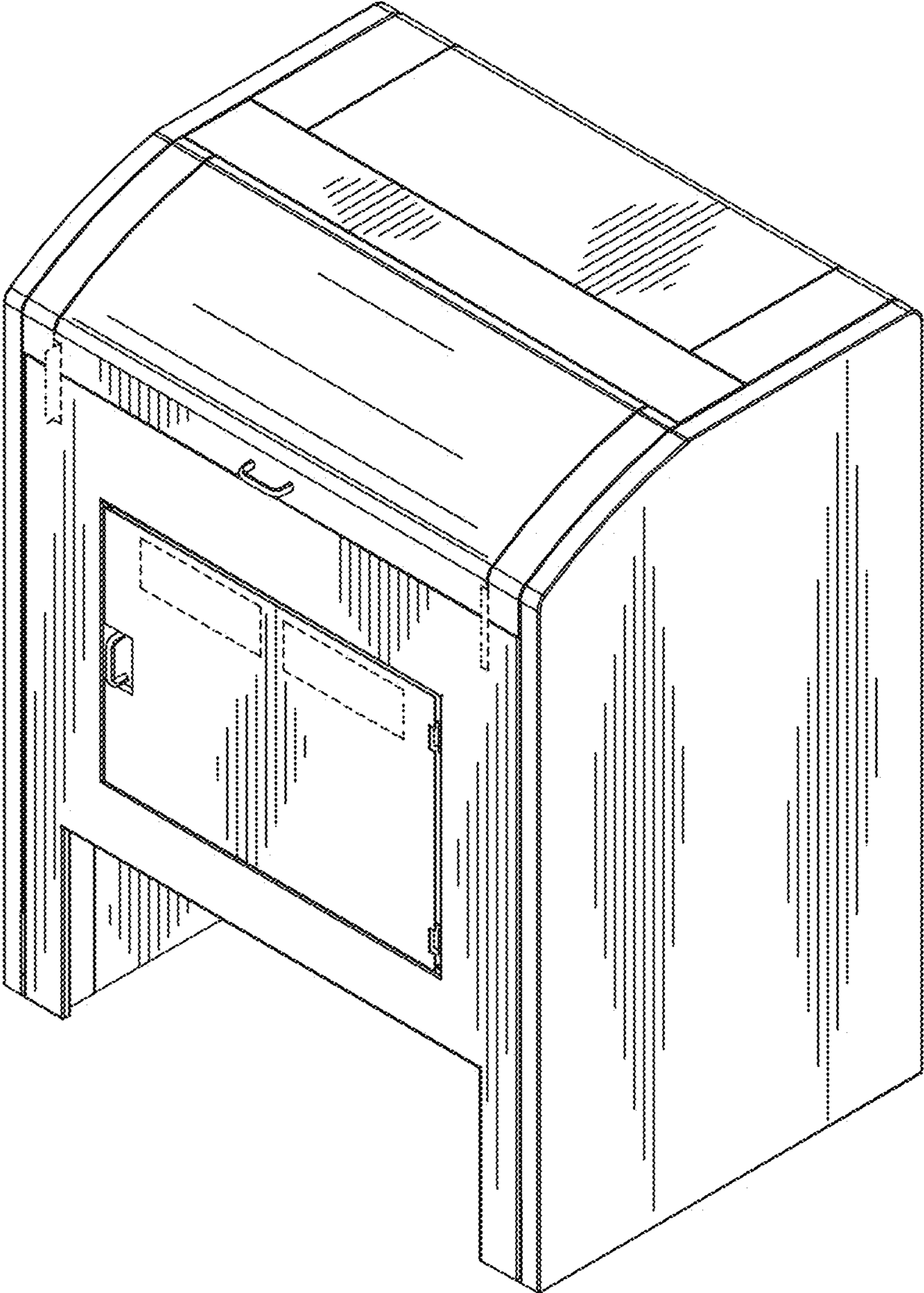


FIG. 1

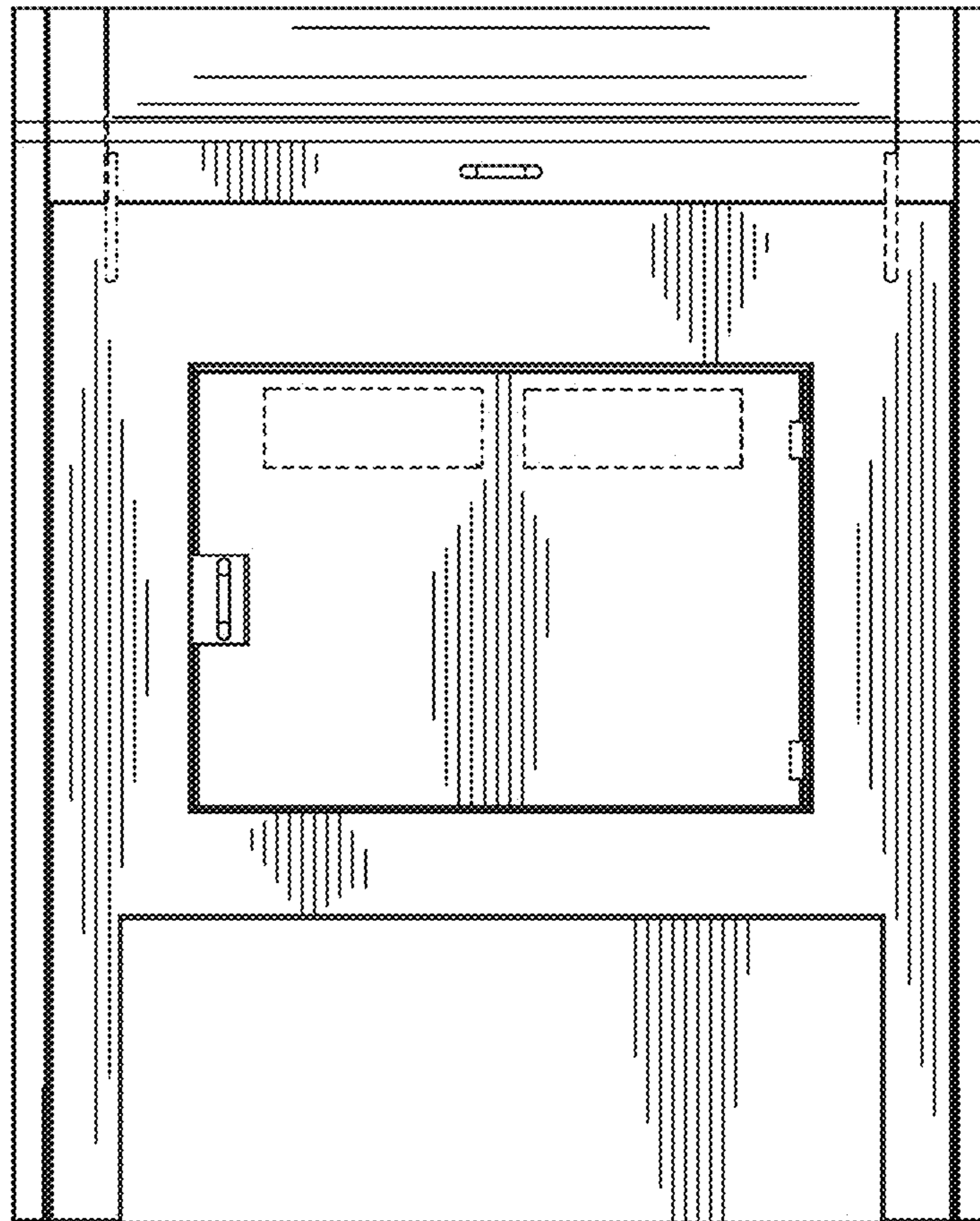


FIG. 2

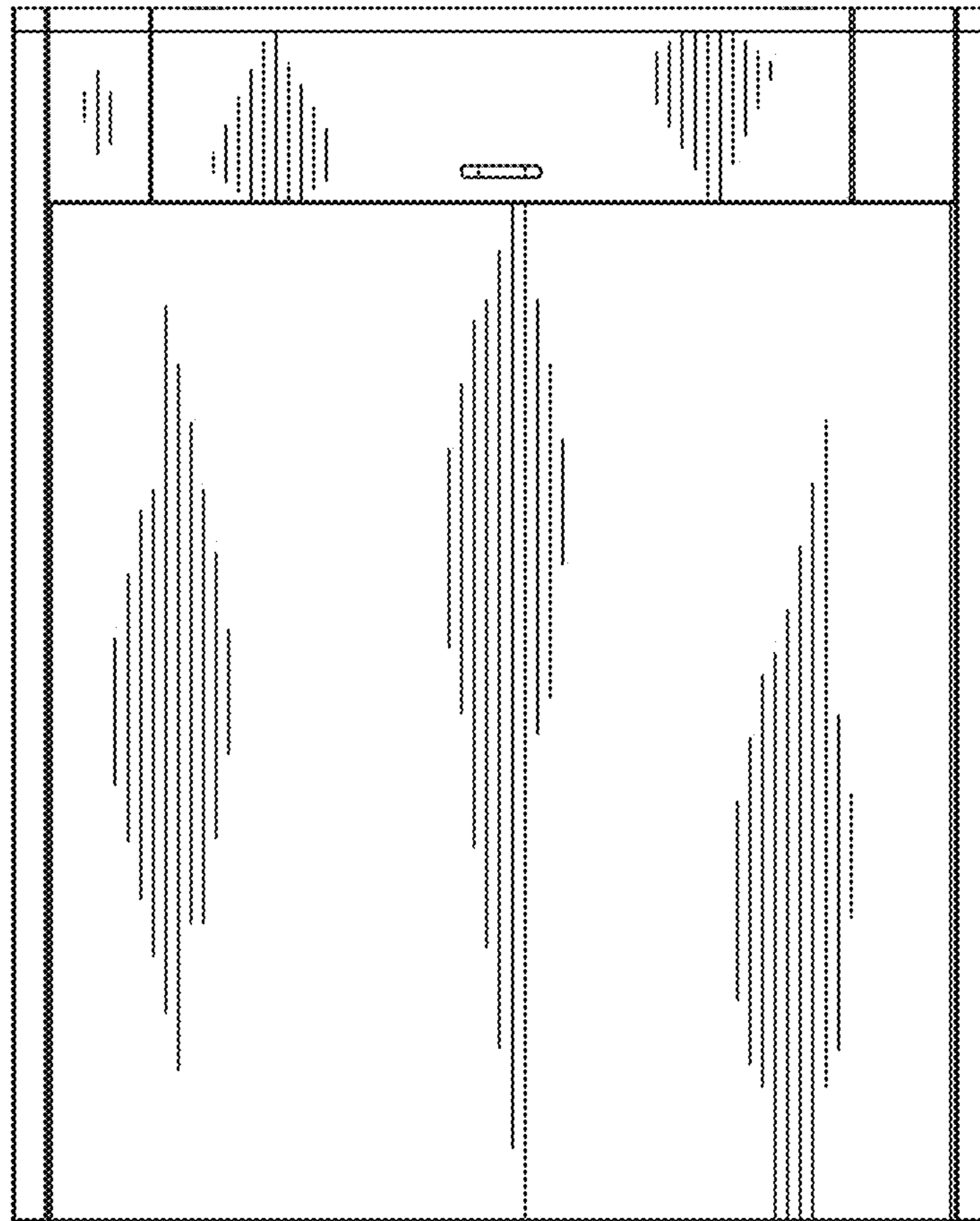


FIG. 3

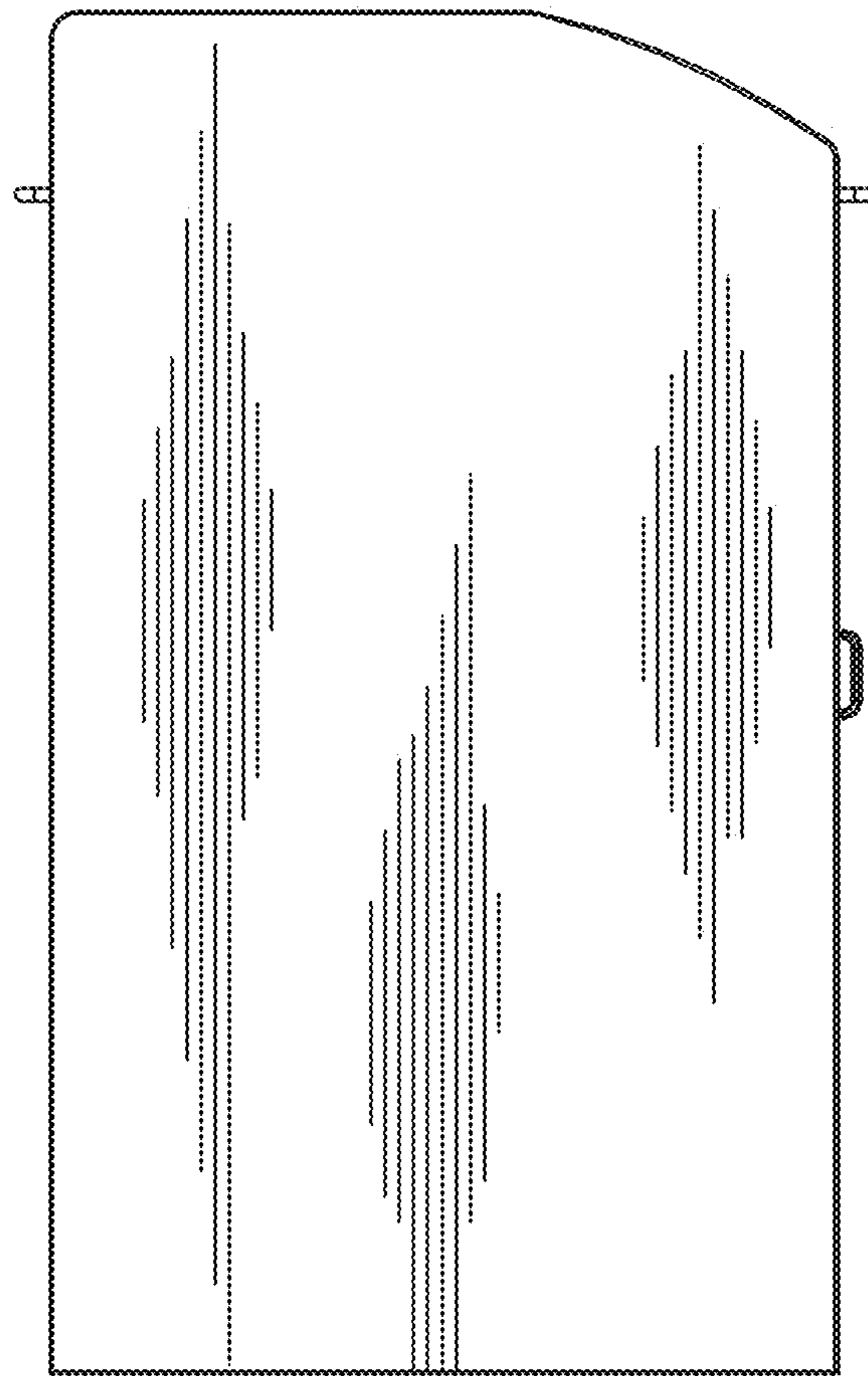


FIG. 4

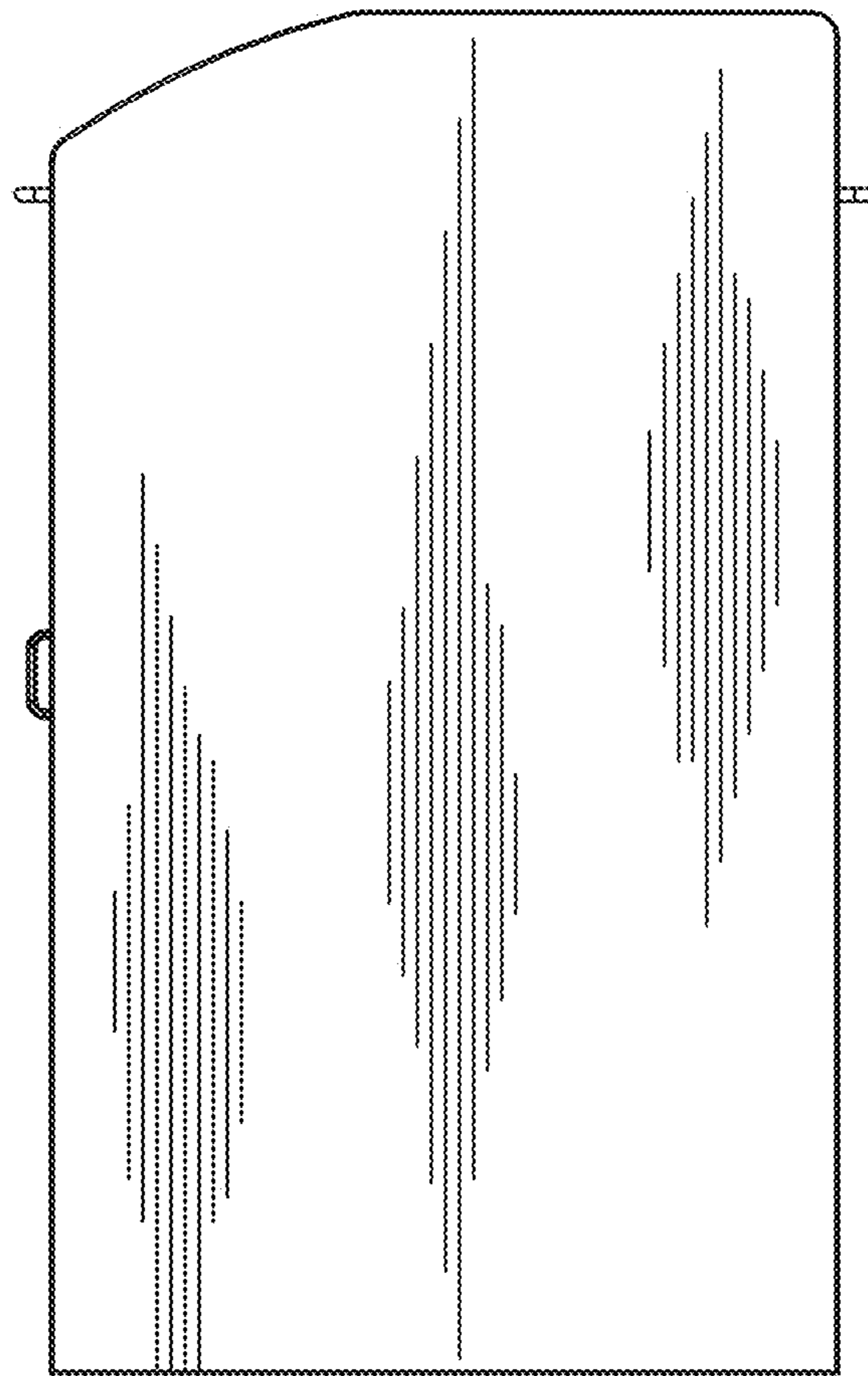


FIG. 5

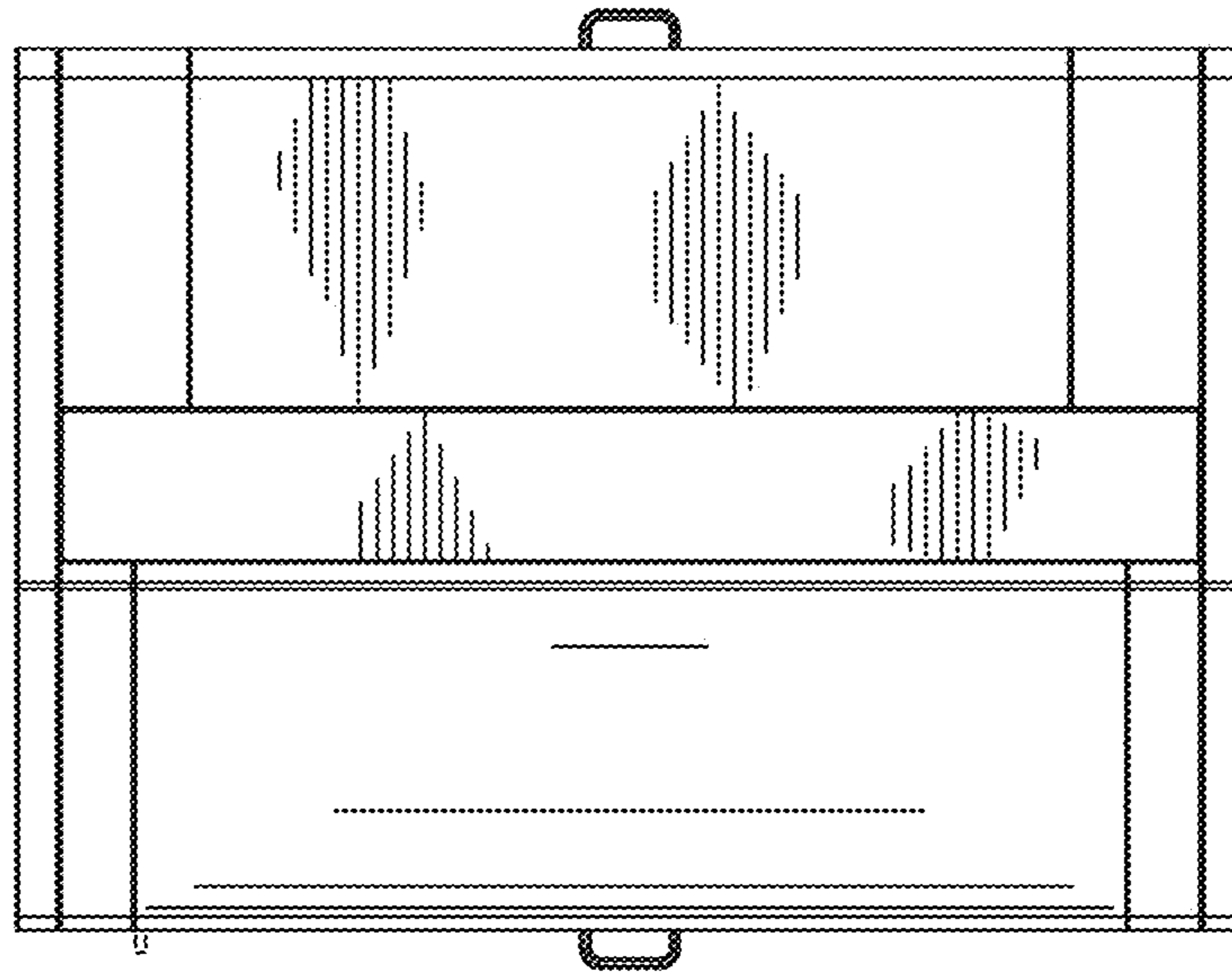


FIG. 6

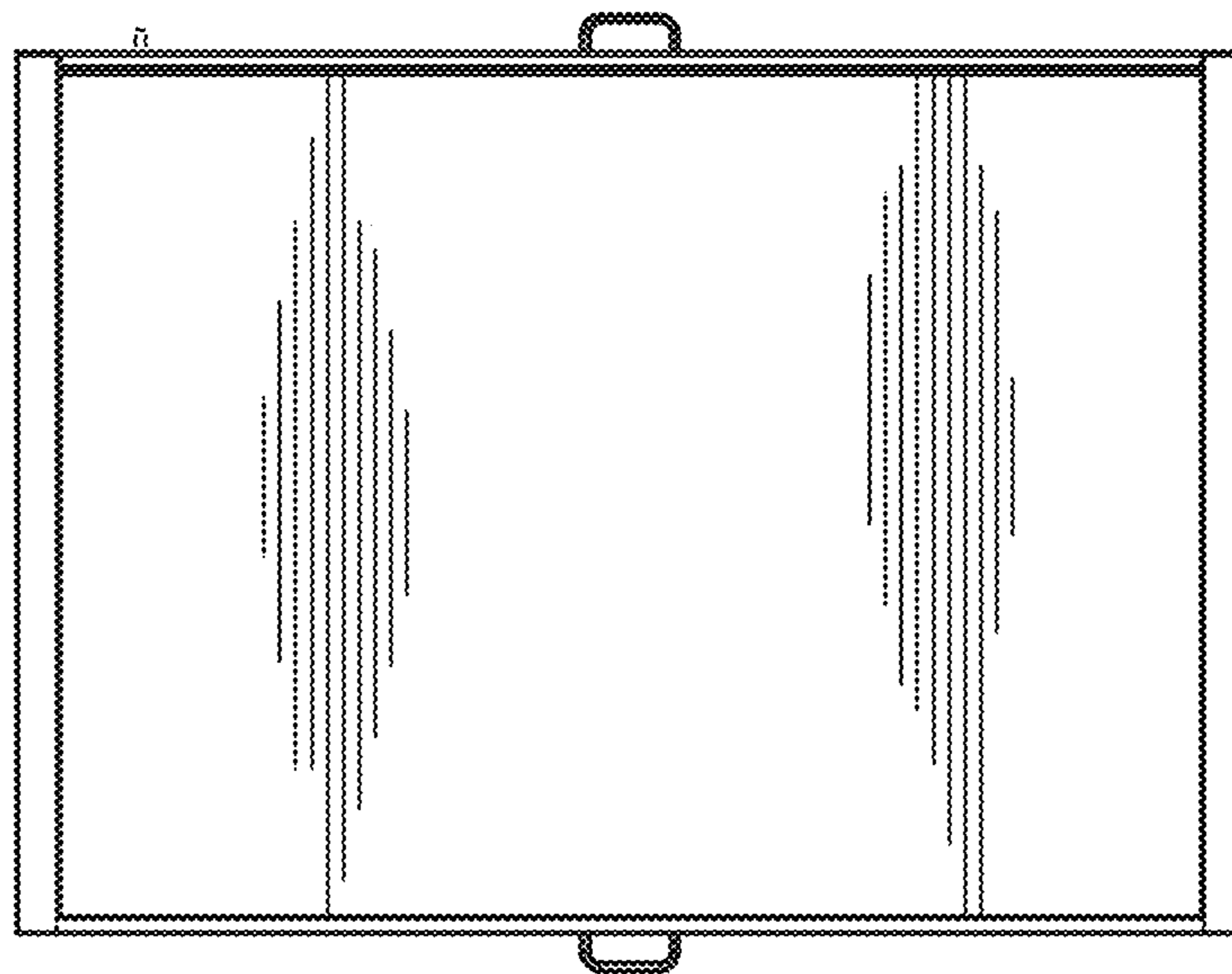


FIG. 7



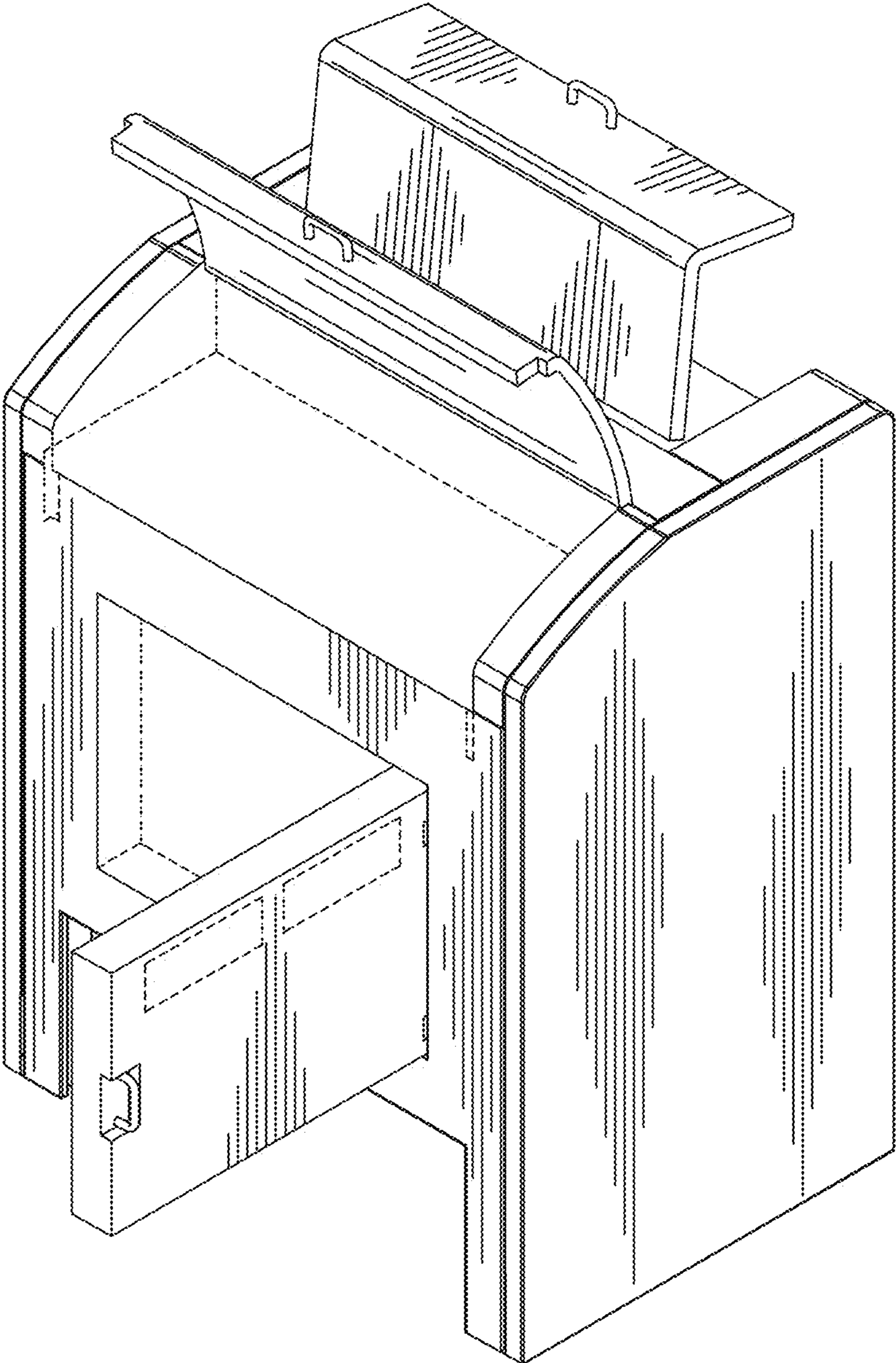


FIG. 8