



US00D907076S

(12) **United States Design Patent**  
**Oakes**

(10) **Patent No.:** **US D907,076 S**

(45) **Date of Patent:** **\*\* Jan. 5, 2021**

(54) **MACHINE FOR SORTING OR CLASSIFYING PARTICULATE PRODUCTS SUCH AS FOODSTUFFS**

D651,222 S \* 12/2011 Hodgkiss ..... D15/122  
D652,435 S \* 1/2012 McLean ..... D15/122  
D746,339 S \* 12/2015 Hodgkiss ..... D15/10  
D797,822 S \* 9/2017 Grobe ..... D15/122  
D822,084 S \* 7/2018 Hodgkiss ..... D15/147

(71) Applicant: **BUHLER SORTEX LTD**, London (GB)

\* cited by examiner

(72) Inventor: **Andrew Oakes**, London (GB)

*Primary Examiner* — Michael C Stout

(73) Assignee: **BÜHLER UK LTD**, London (GB)

*Assistant Examiner* — Fritzgerald L Butac

(\*\*) Term: **15 Years**

(74) *Attorney, Agent, or Firm* — Renner, Otto, Boisselle & Sklar, LLP

(21) Appl. No.: **29/588,319**

(57) **CLAIM**

(22) Filed: **Dec. 20, 2016**

The ornamental design for a machine for sorting or classifying particulate products such as foodstuffs, as shown and described.

(30) **Foreign Application Priority Data**

**DESCRIPTION**

Jun. 20, 2016 (EM) ..... 003229962

(51) **LOC (13) Cl.** ..... **15-09**

(52) **U.S. Cl.**

USPC ..... **D15/122**

(58) **Field of Classification Search**

USPC ..... D15/10, 122, 131, 145-147, 199

CPC ..... B07C 5/342; B07C 5/3425; B07C 5/366

See application file for complete search history.

FIG. 1 is a front view of a machine for sorting or classifying particulate products such as foodstuffs showing my design. FIG. 2 is a rear view thereof. FIG. 3 is a right side view thereof. FIG. 4 is a left side view thereof. FIG. 5 is a top view thereof. FIG. 6 is a bottom view thereof; and, FIG. 7 is a perspective view thereof.

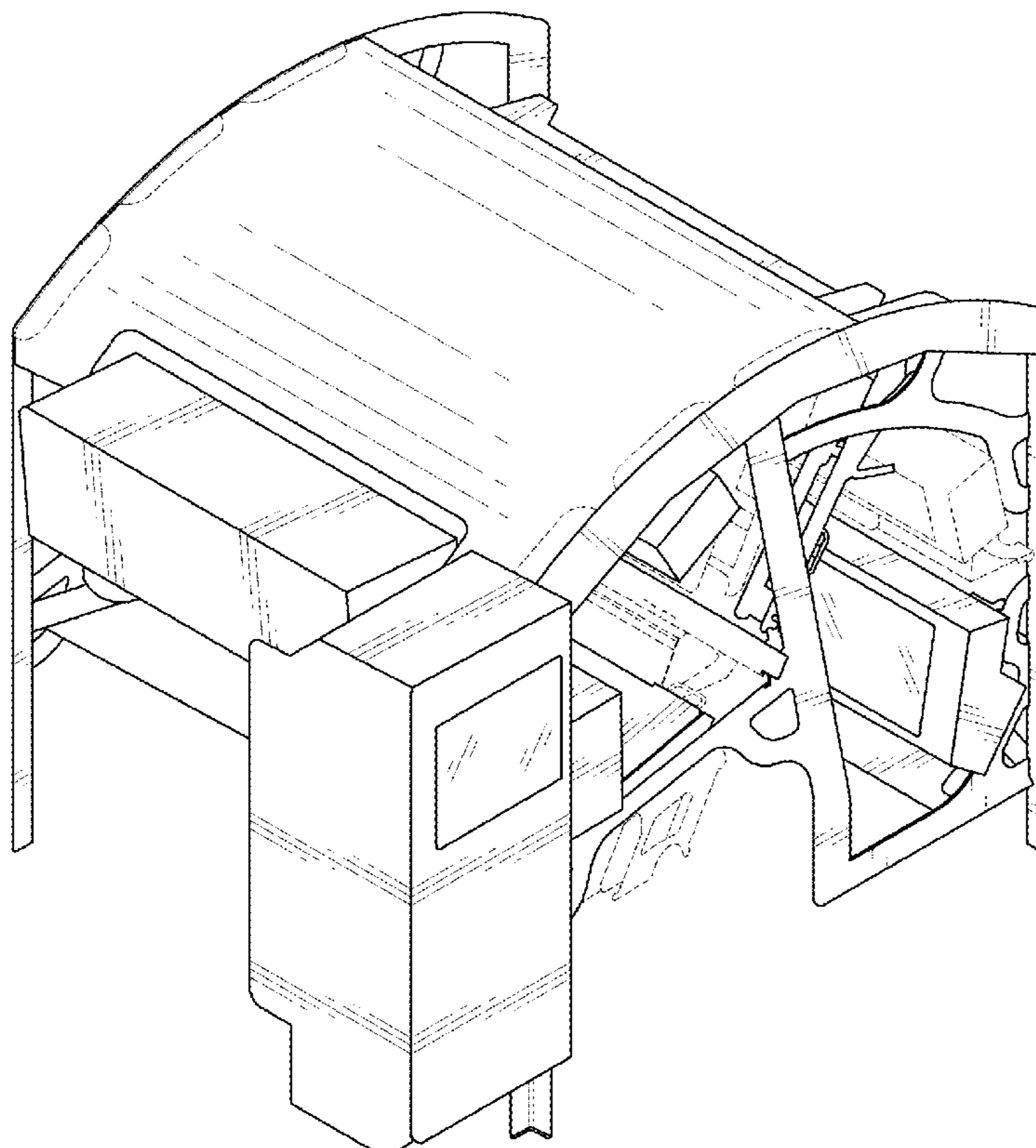
(56) **References Cited**

The broken line showing in FIGS. 1-7 is for the purpose of illustrating portions of the machine for sorting or classifying particulate products such as foodstuffs and forms no part of the claimed design.

**U.S. PATENT DOCUMENTS**

D556,795 S \* 12/2007 Bee ..... D15/122  
D560,233 S \* 1/2008 Bee ..... D15/122

**1 Claim, 7 Drawing Sheets**



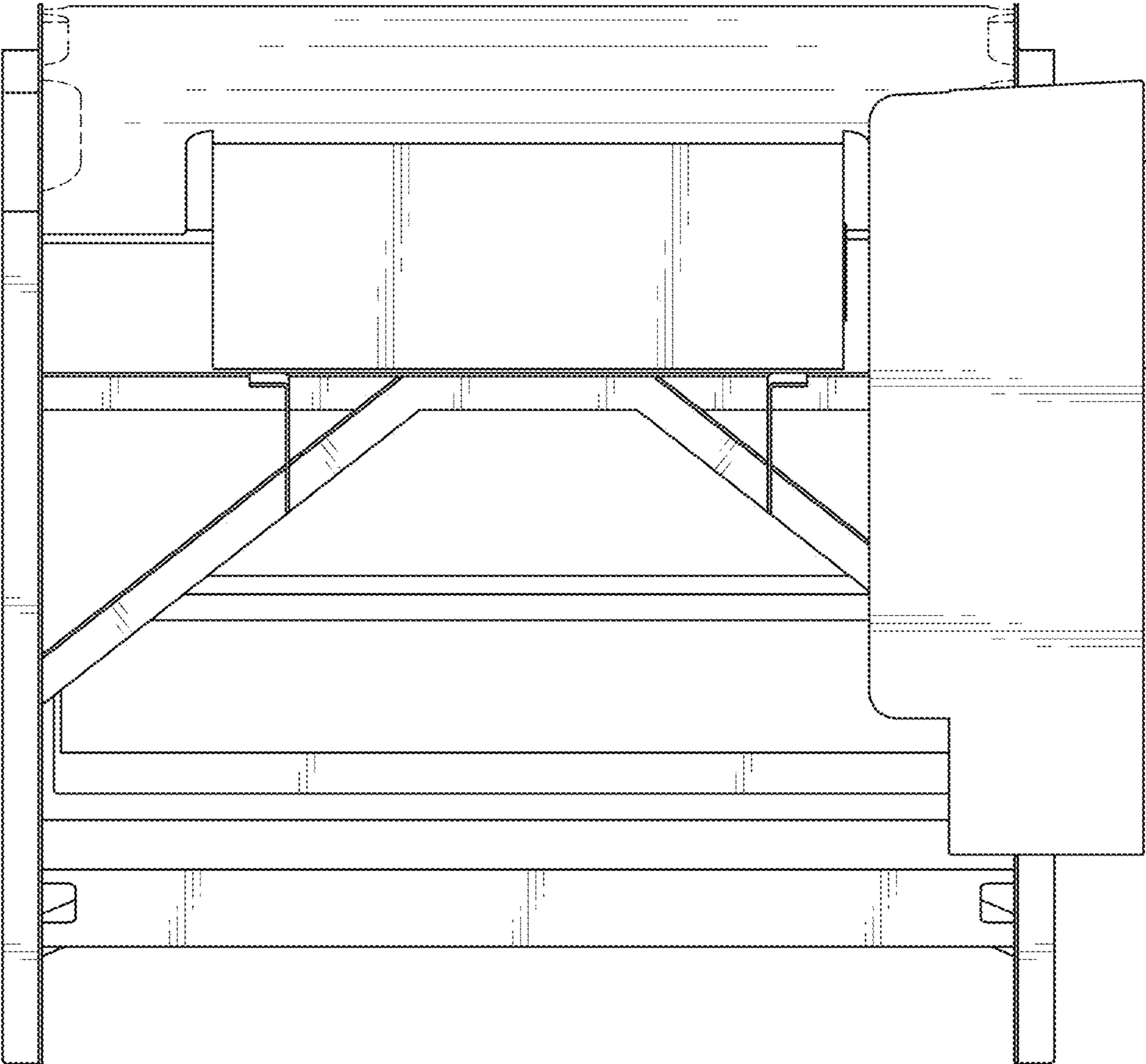


FIG. 1

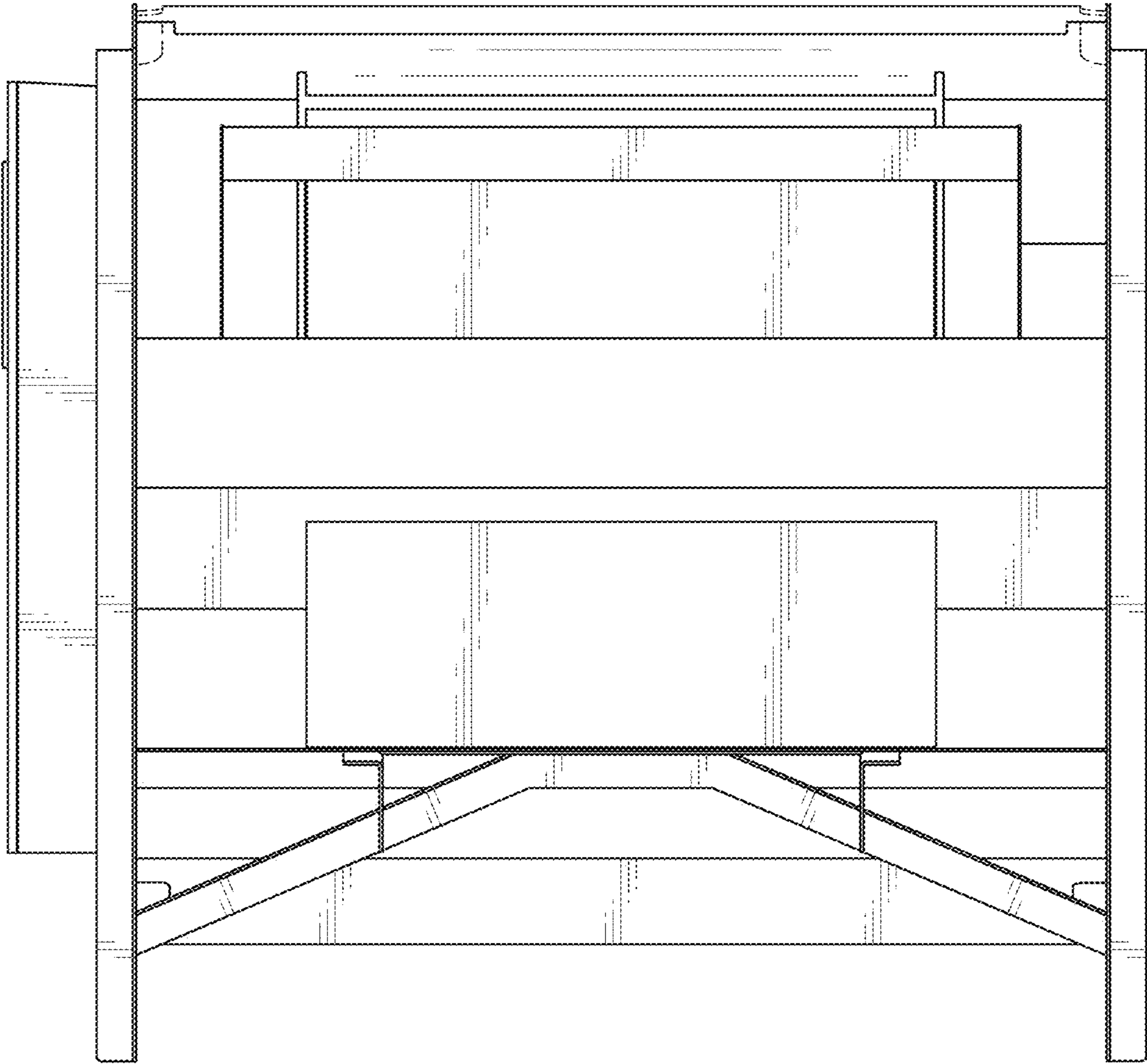


FIG. 2

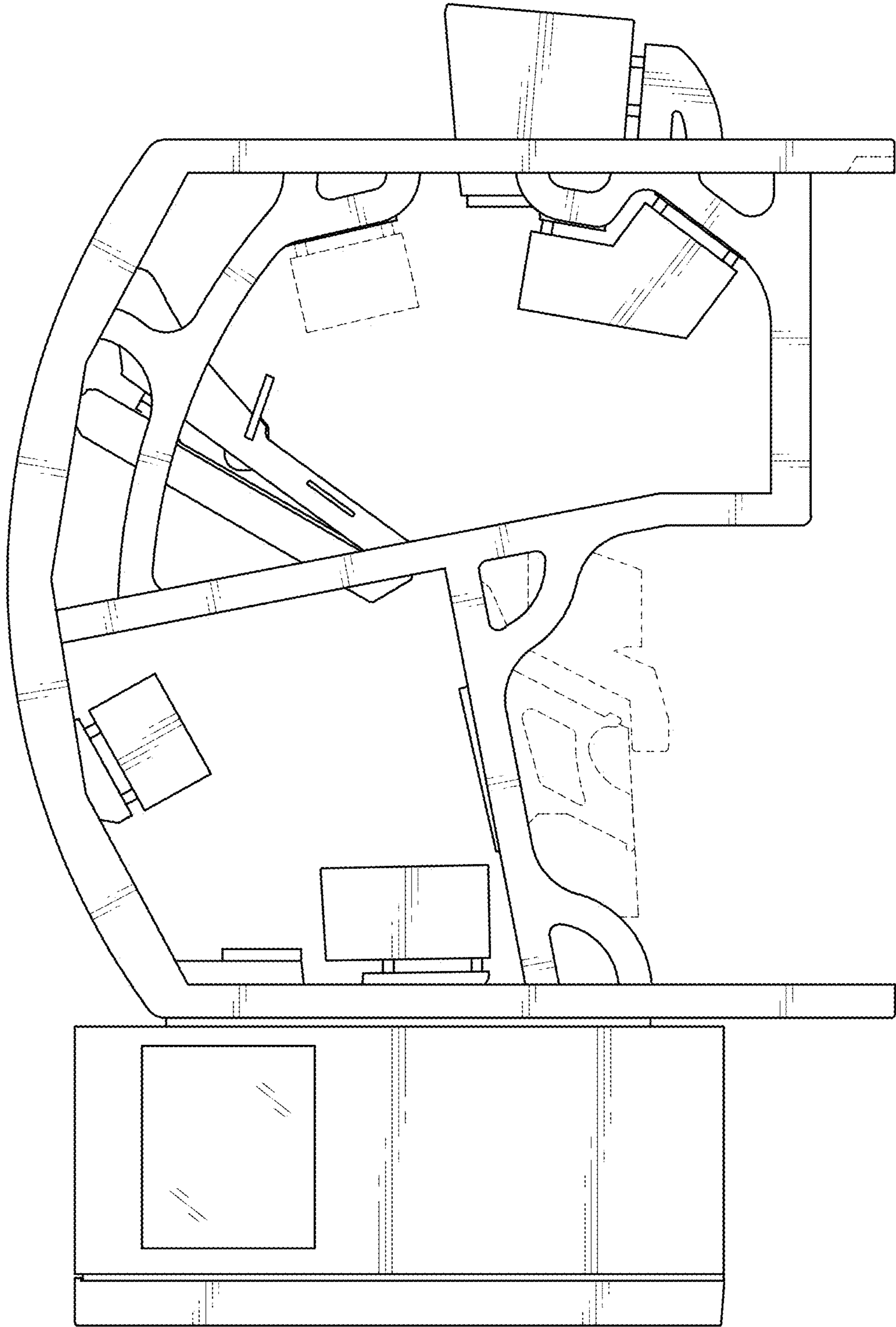


FIG. 3



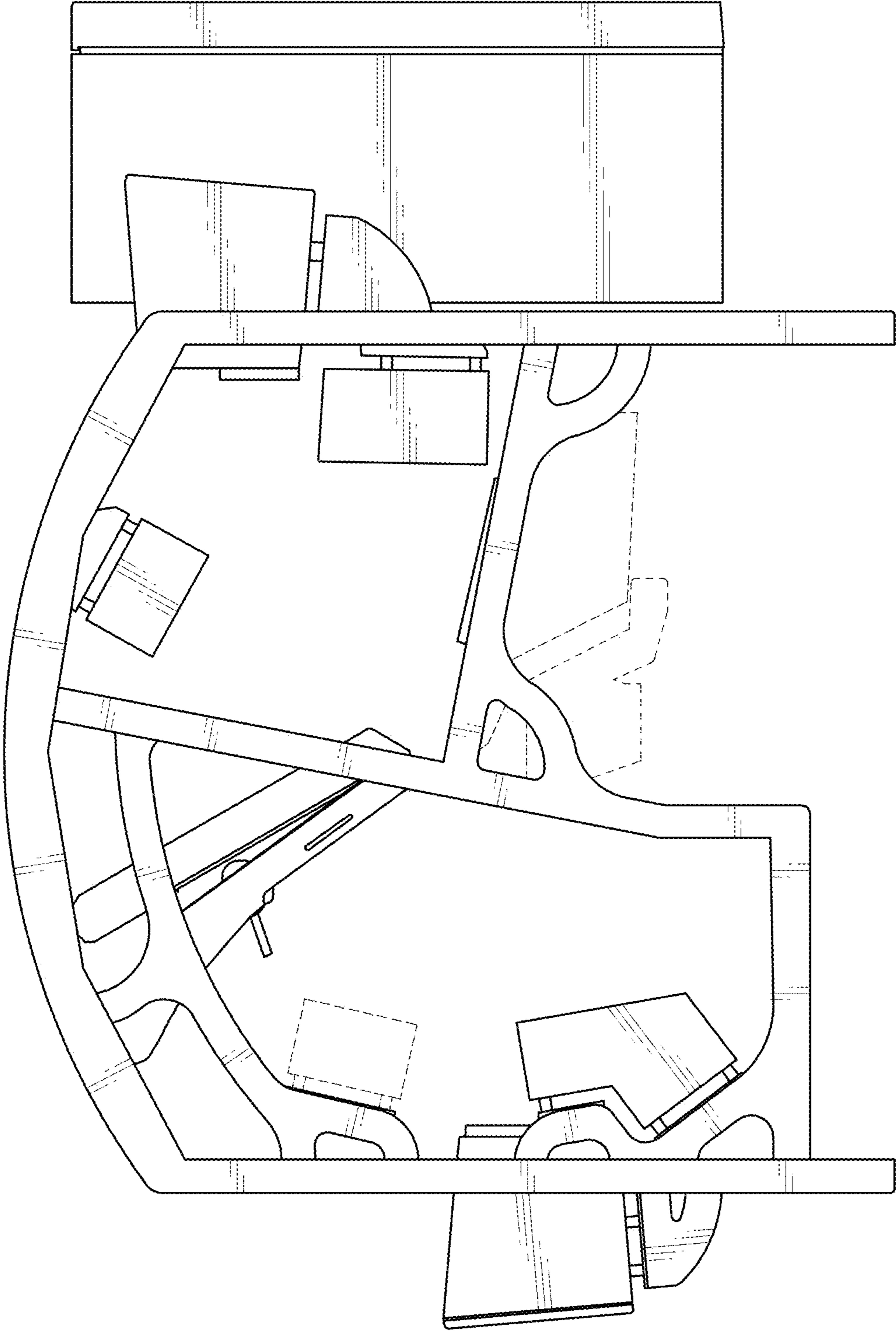


FIG. 4

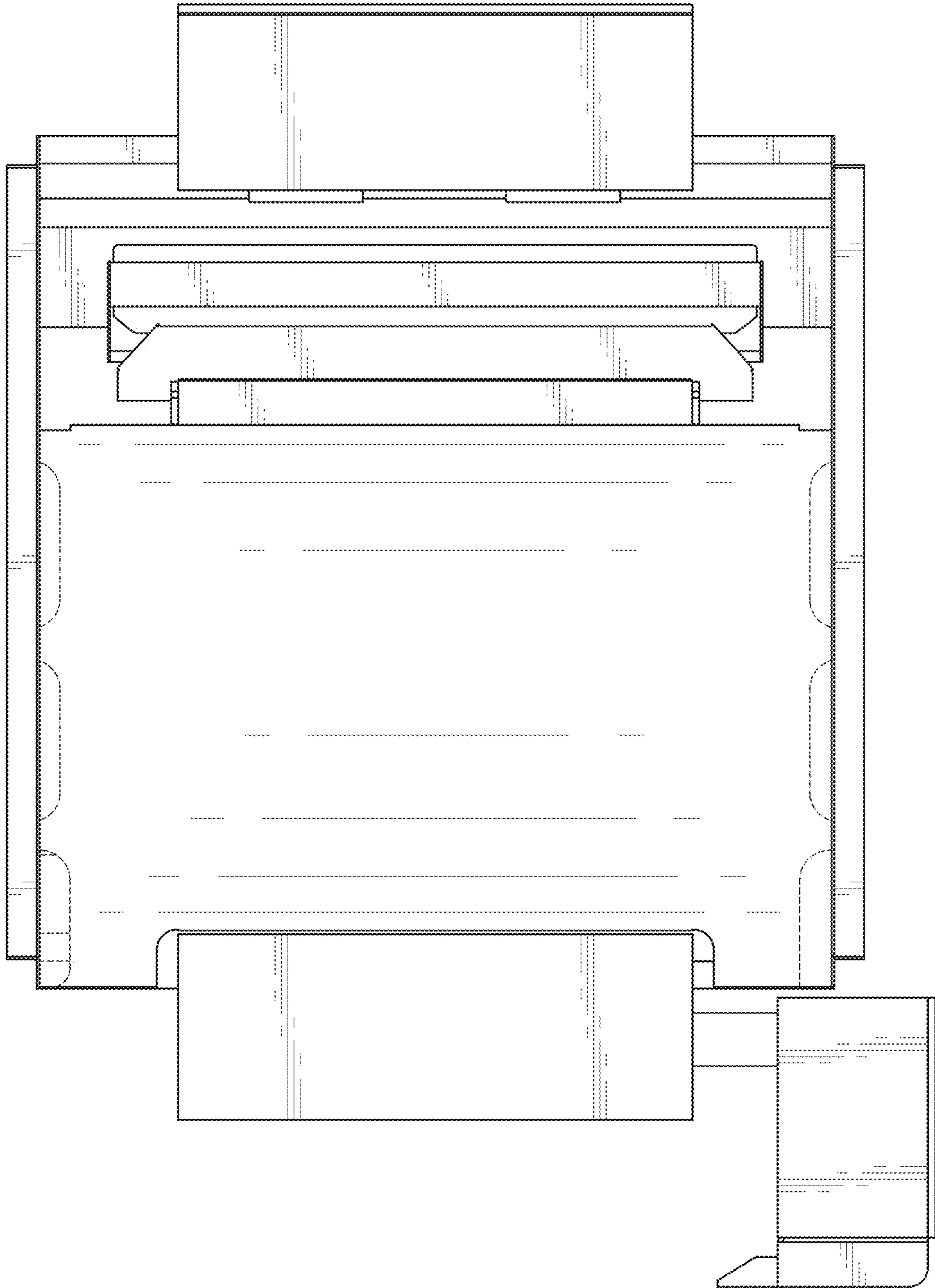


FIG. 5

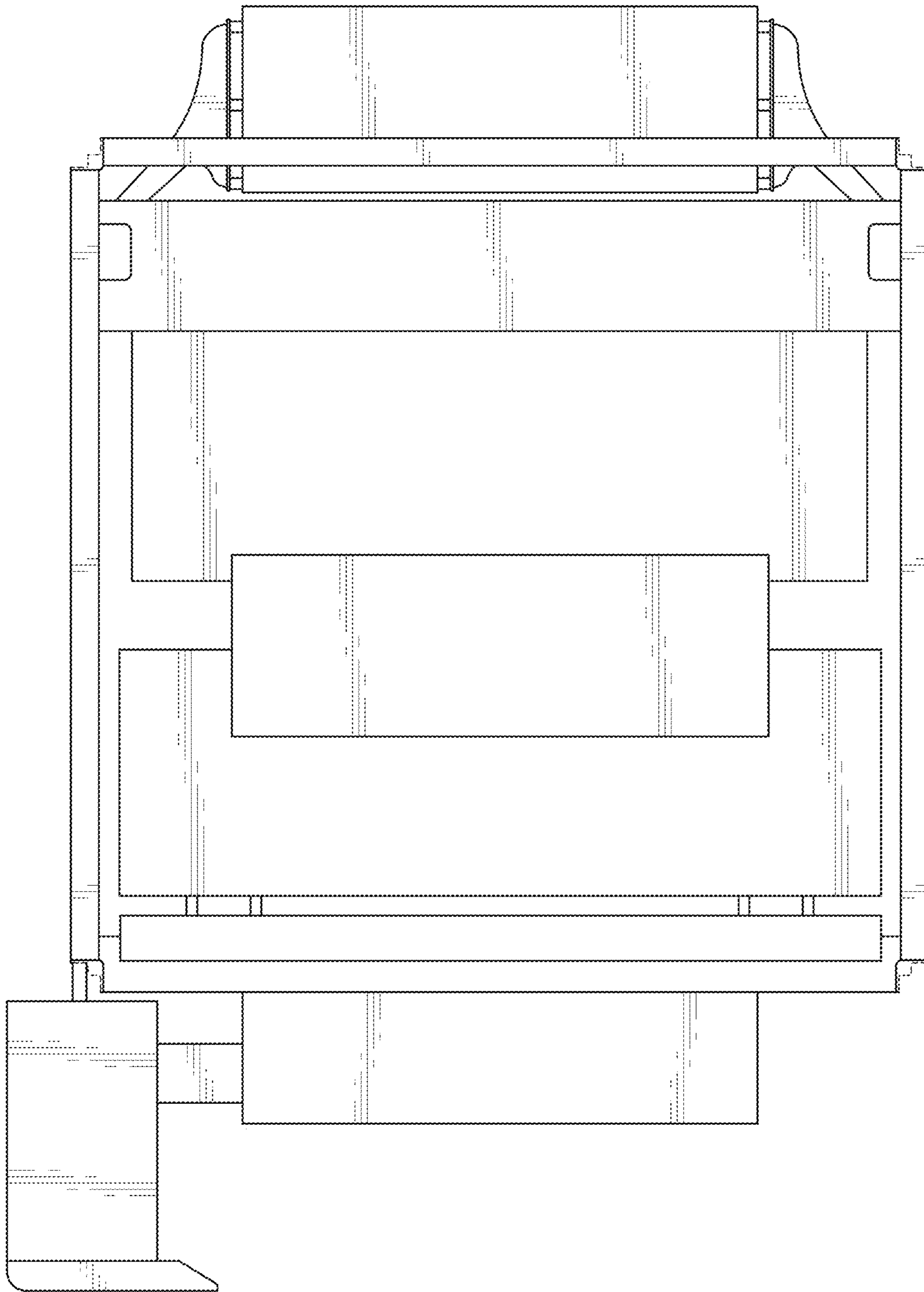


FIG. 6

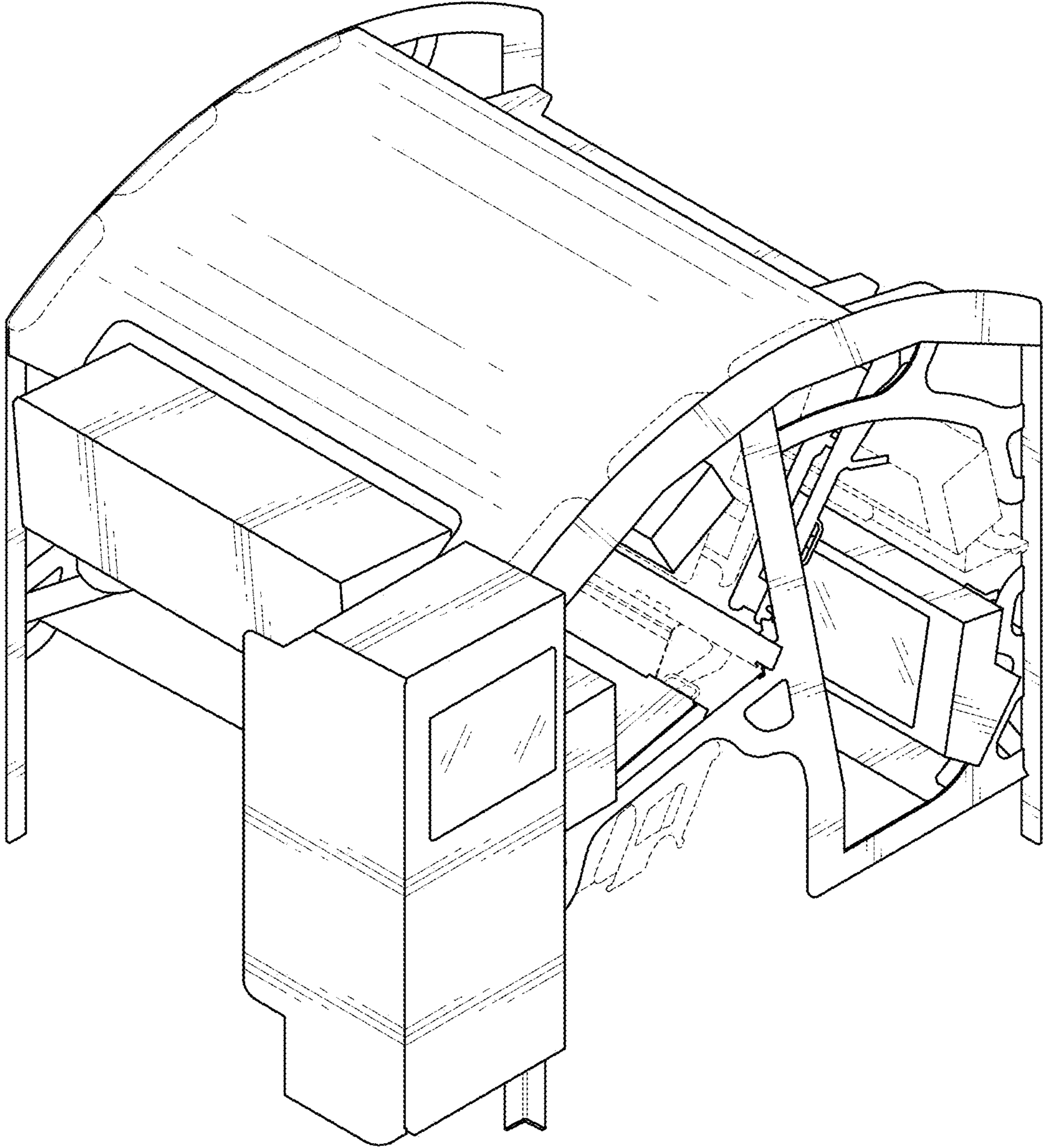


FIG. 7