



US00D907075S

(12) **United States Design Patent** (10) **Patent No.:** **US D907,075 S**
Kim et al. (45) **Date of Patent:** **** Jan. 5, 2021**

(54) **DUST FILTER FOR REFRIGERATOR**

(56) **References Cited**

(71) Applicant: **LG ELECTRONICS INC.**, Seoul (KR)

U.S. PATENT DOCUMENTS

(72) Inventors: **Joosang Kim**, Seoul (KR); **Yezo Yun**, Seoul (KR); **Kyukwan Choi**, Seoul (KR)

D484,518	S	*	12/2003	Jiang	D15/89
D511,178	S	*	11/2005	Tunzi	D15/89
D514,138	S	*	1/2006	Jackovin	D15/89
D616,001	S	*	5/2010	Yang	D15/86
8,002,367	B2	*	8/2011	Kim	F25D 23/12 312/401
D654,515	S	*	2/2012	Hwang	D15/85
D657,402	S	*	4/2012	Hwang	D15/86
D668,276	S	*	10/2012	Jungwirth	D15/89
D673,588	S	*	1/2013	Choi	D15/89
D710,402	S	*	8/2014	Jeon	D15/86
D736,274	S	*	8/2015	Lee	D15/89
D737,344	S	*	8/2015	Lee	D15/89
D744,013	S	*	11/2015	Pfaff	D15/89
D751,126	S	*	3/2016	Pfaff	D15/89
D766,997	S	*	9/2016	Lee	D15/89
D767,651	S	*	9/2016	Heinzle	D15/89
D770,542	S	*	11/2016	Floeter Junior	D15/89
D784,429	S	*	4/2017	Kim	D15/89
D807,412	S	*	1/2018	Lee	D15/89
D839,317	S	*	1/2019	de Cavalcanti	D15/89

(73) Assignee: **LG Electronics Inc.**, Seoul (KR)

(**) Term: **15 Years**

(21) Appl. No.: **35/508,256**

(22) Filed: **Jun. 25, 2019**

(80) **Hague Agreement Data**

Int. Filing Date: **Jun. 25, 2019**

Int. Reg. No.: **DM/203851**

Int. Reg. Date: **Jun. 25, 2019**

Int. Reg. Pub. Date: **Dec. 27, 2019**

(51) **LOC (13) Cl.** **15-07**

(52) **U.S. Cl.**
USPC **D15/89**

CPC **F25D 25/025** (2013.01)

(58) **Field of Classification Search**

USPC D15/79-91

CPC F25D 25/025; F25D 23/028; F25D

2323/024; F25D 23/00; F25D 23/02;

F25D 2323/021; F25D 23/065; F25D

11/00; F25D 2201/14; F25D 23/021;

F25D 23/025; F25D 23/04; F25D 27/00;

F25D 23/062; F25D 23/067; F25D

2400/18; F25D 23/08; F25D 23/085;

F25D 2500/02; F25D 25/00; F25D

25/005; F25D 25/022; F25D 25/024;

F25D 17/047; F25D 2317/041; F25D

2317/04131; F25D 2317/043; F25D

2317/0664; F25D 2321/147; F25D

2323/02; F25D 2323/023

See application file for complete search history.

(Continued)

Primary Examiner — Richard E Chilcot

(74) *Attorney, Agent, or Firm* — Birch, Stewart, Kolasch & Birch, LLP

(57) **CLAIM**

The ornamental design for a dust filter for refrigerator, as shown and described.

DESCRIPTION

1. Dust filter for refrigerator

1.1 : Perspective

1.2 : Front

1.3 : Back

1.4 : Left

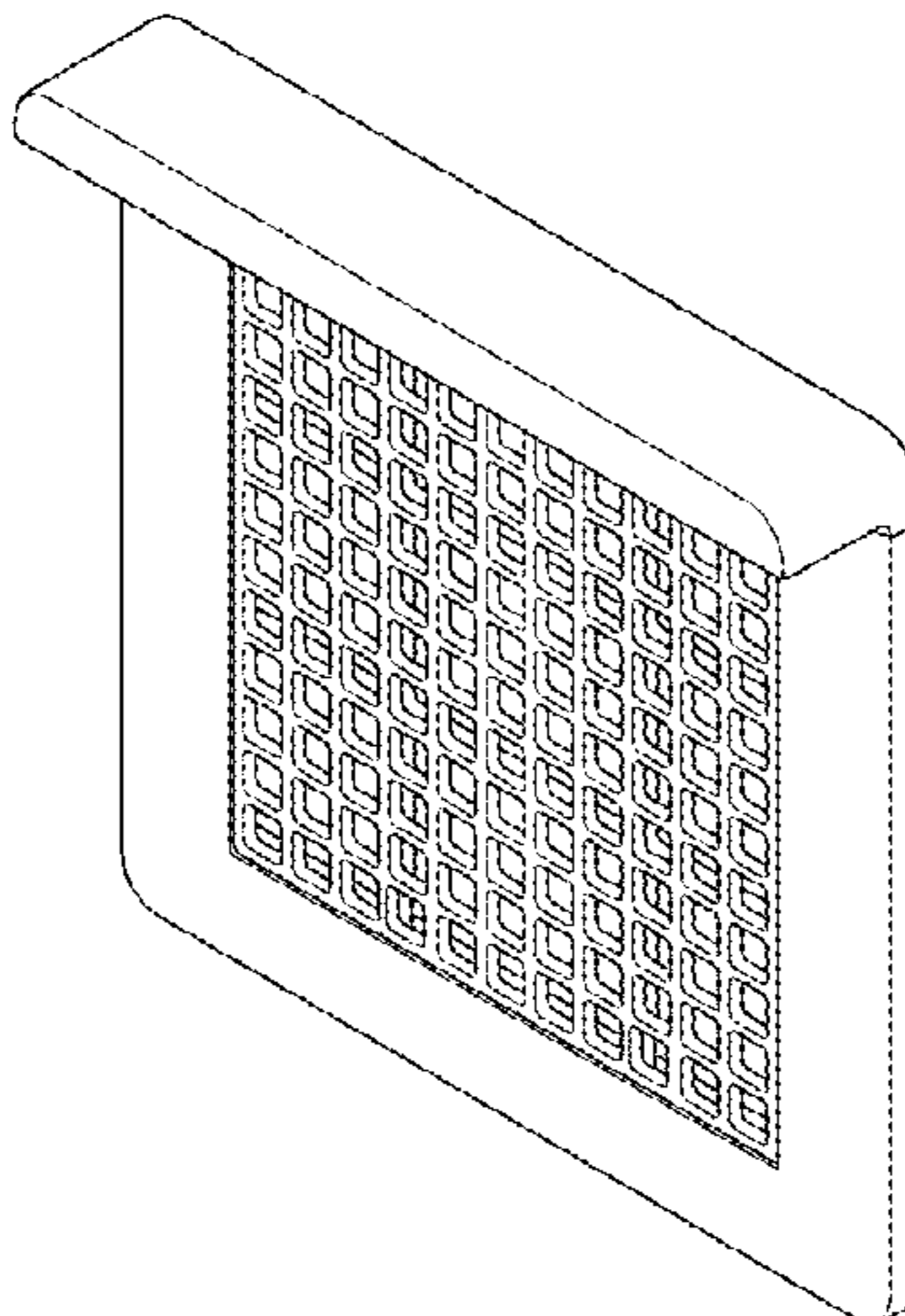
1.5 : Right

1.6 : Top

1.7 : Bottom

1.8 : Reference view showing a state of use

(Continued)



Broken lines illustrate environmental condition only and form no part of the claimed design.

1 Claim, 8 Drawing Sheets

(56)

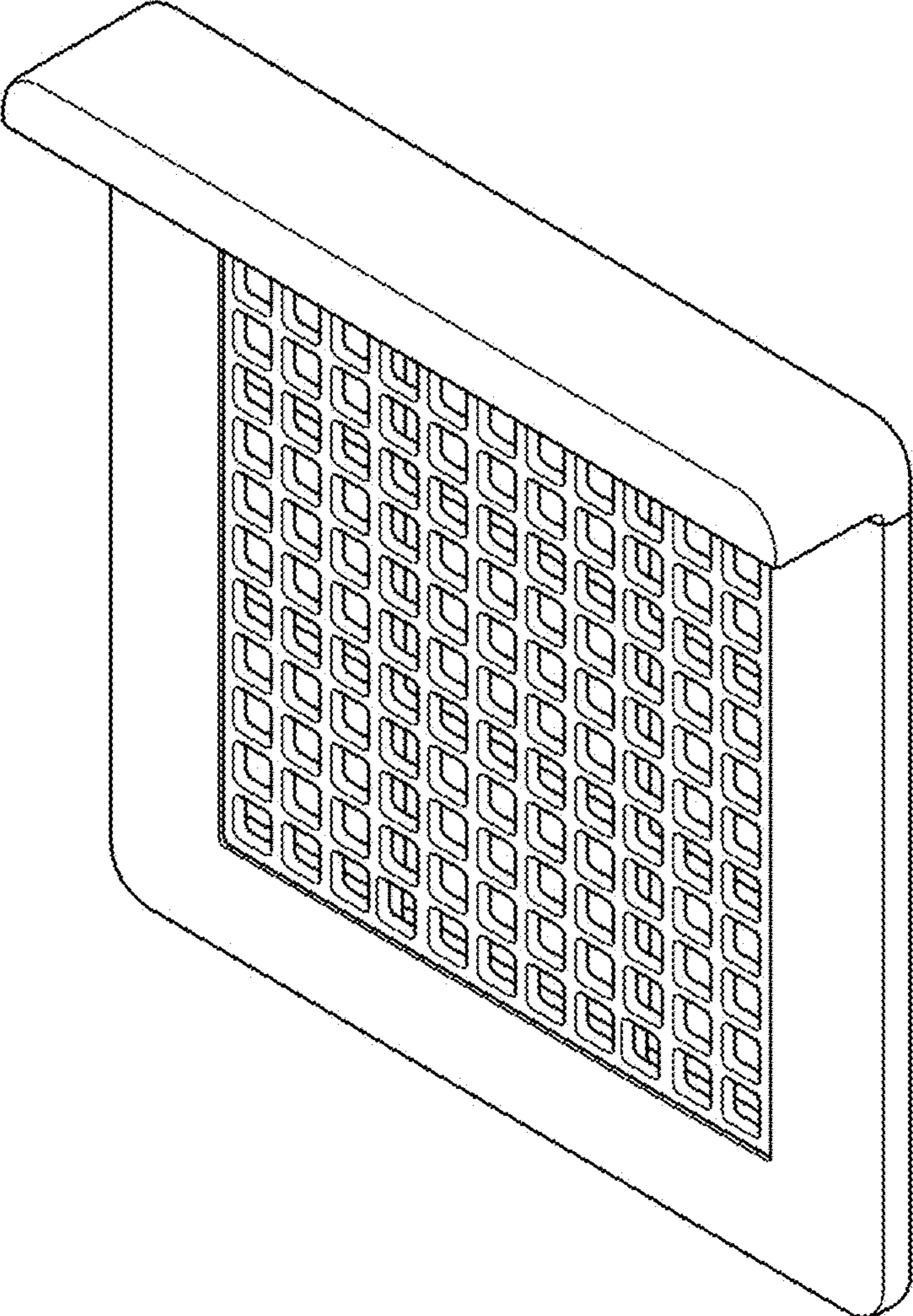
References Cited

U.S. PATENT DOCUMENTS

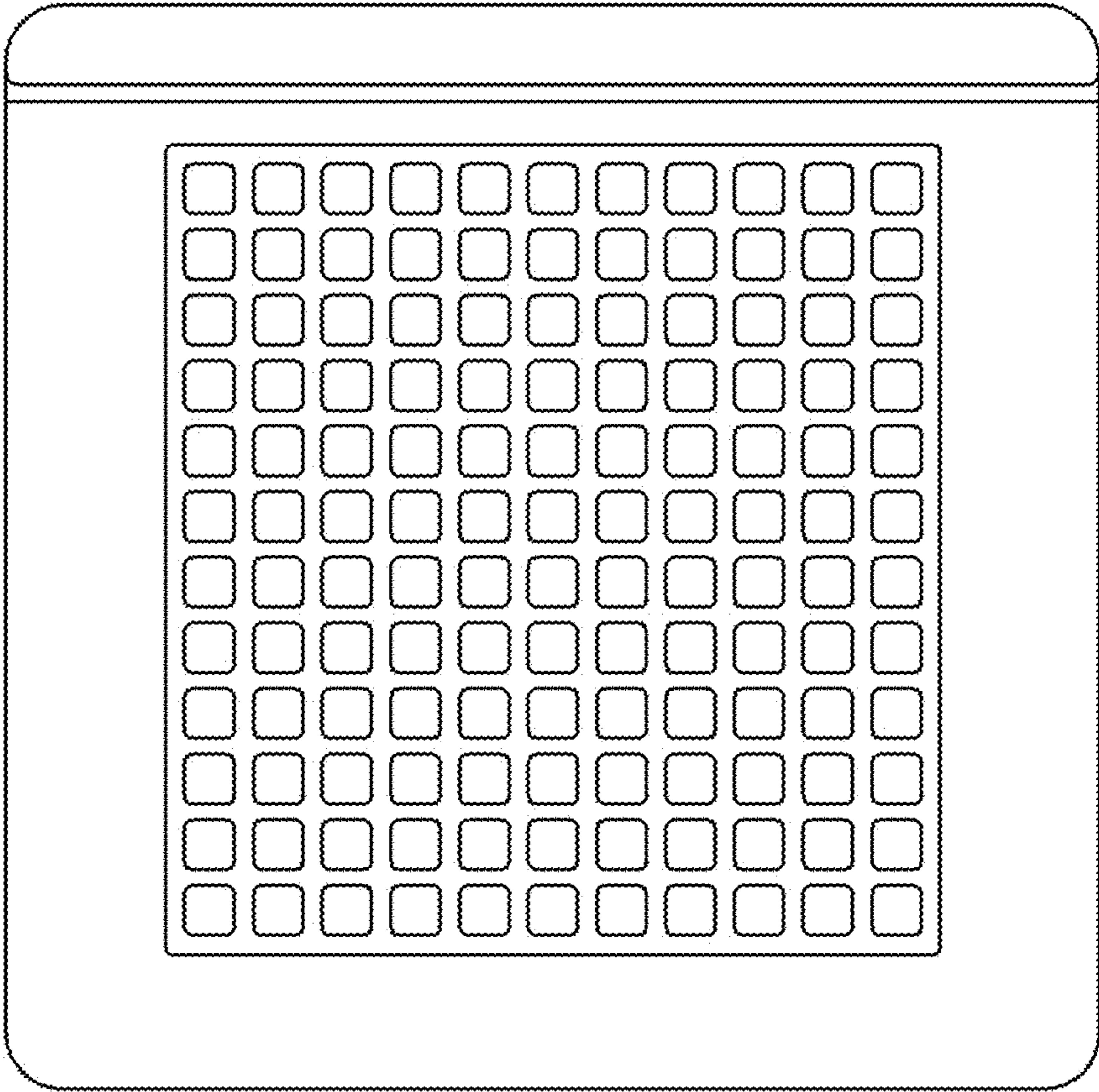
D852,234 S	*	6/2019	de Cavalcanti	D15/89
D854,057 S	*	7/2019	de Cavalcanti	D15/89
D886,165 S	*	6/2020	Olsson	D15/89
D887,459 S	*	6/2020	Olsson	D15/85

* cited by examiner

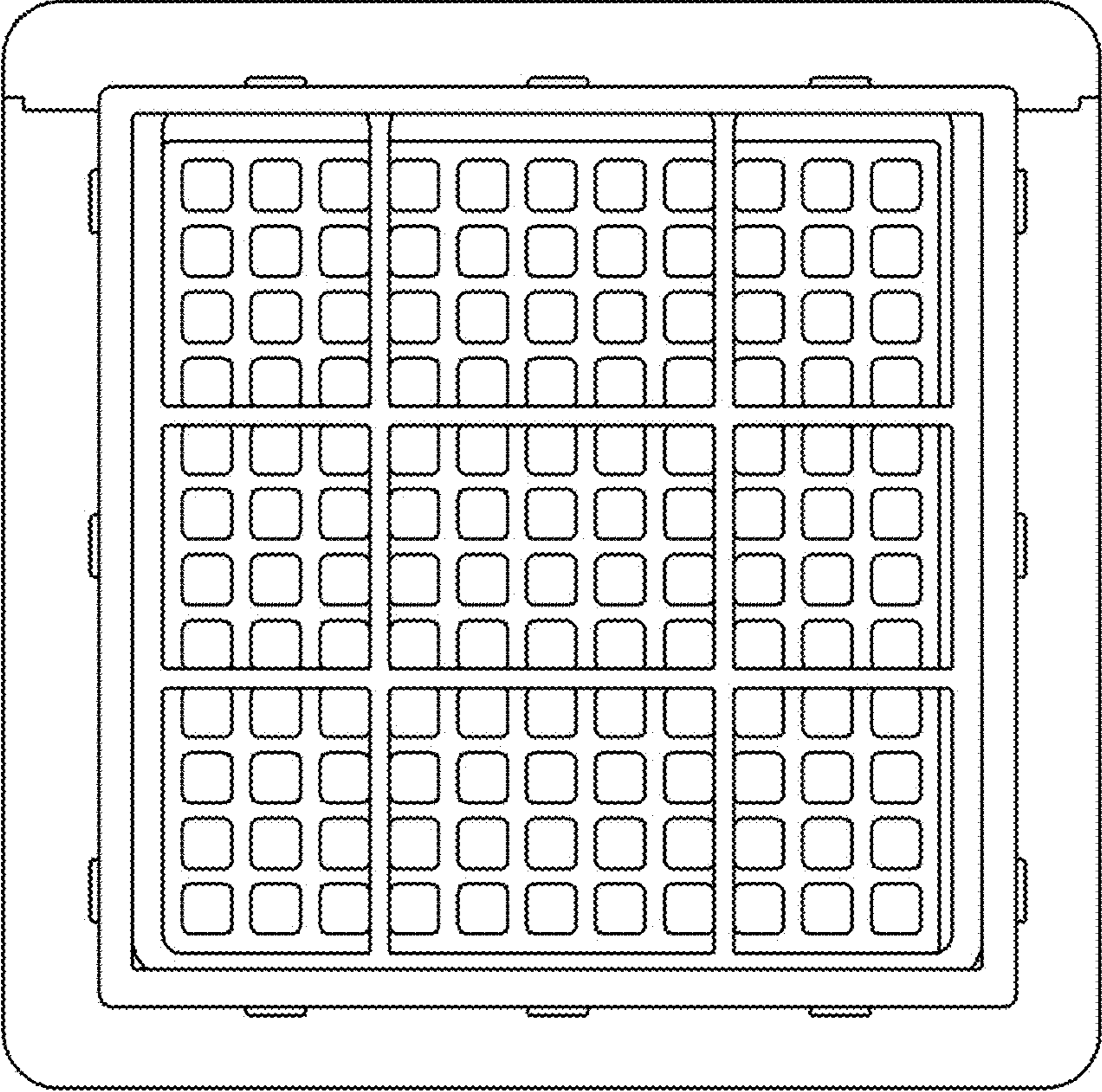
1.1



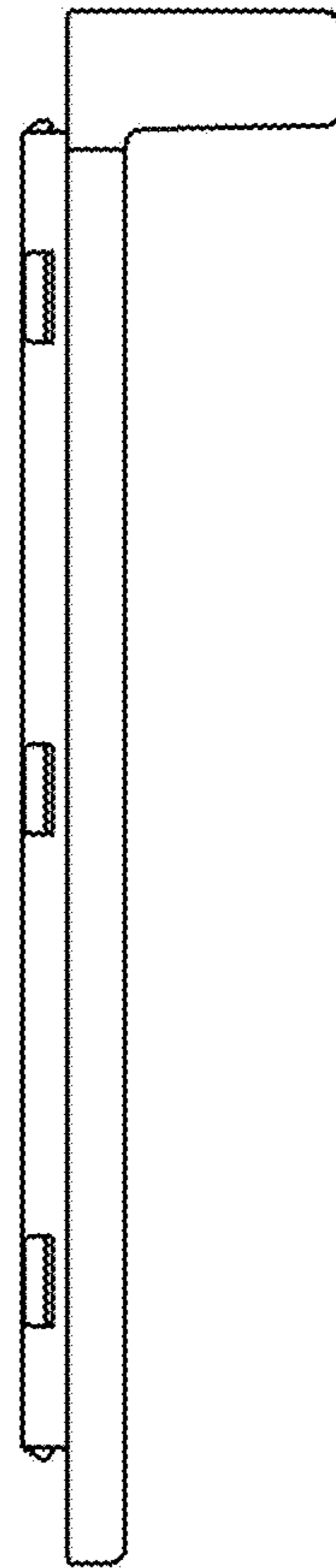
1.2



1.3



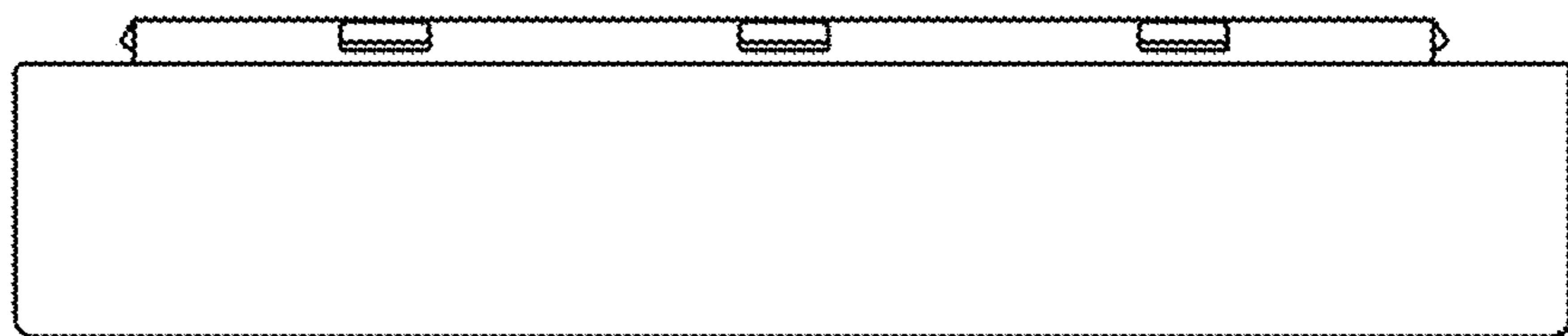
1.4



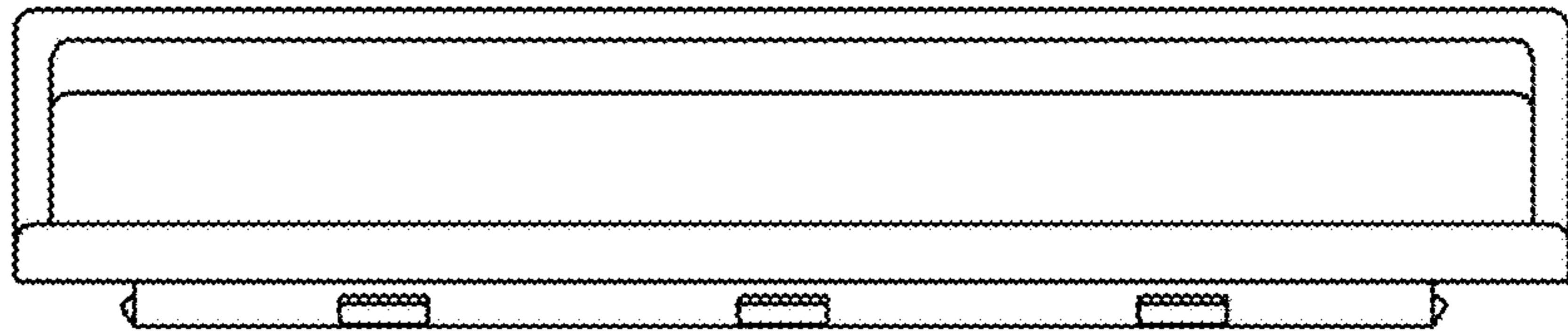
1.5



1.6



1.7



1.8

