



US00D907074S

(12) **United States Design Patent**
Yang et al.

(10) **Patent No.:** **US D907,074 S**
(45) **Date of Patent:** **** Jan. 5, 2021**

(54) **REFRIGERATING APPARATUS**

FOREIGN PATENT DOCUMENTS

(71) Applicant: **Dometic Sweden AB**, Solna (SE)
(72) Inventors: **Bill Yang**, Zhuhai (CN); **Ken Ng**, Sham Shui Po (HK); **Wei Xian Guan**, Zhuhai (CN); **Peng Wang**, Zhuhai (CN)
(73) Assignee: **Dometic Sweden AB**, Solna (SE)

AU 201712770 5/2017
AU 201712799 5/2017

(Continued)

(**) Term: **15 Years**

(21) Appl. No.: **29/605,186**

(22) Filed: **May 24, 2017**

(30) **Foreign Application Priority Data**

Nov. 25, 2016 (EM) 003482694

(51) **LOC (13) Cl.** **15-07**

(52) **U.S. Cl.**
USPC **D15/83**

(58) **Field of Classification Search**

USPC D15/79-91; D23/333, 351-354, 388
CPC F24F 1/00; F24F 1/0007; F24F 1/02; F24F 1/08; F24F 1/42; F24F 1/56; F24F 1/60; F24F 3/044; F24F 3/048; F24F 3/16; F25C 5/002; F25C 5/005; F25C 5/12; F25C 5/02; F25C 5/046; F25C 5/187; F25C 2500/02; F25C 2500/08

See application file for complete search history.

(56) **References Cited**

U.S. PATENT DOCUMENTS

D354,292 S * 1/1995 Monti D15/83
5,407,218 A 4/1995 Jackson
5,676,296 A 10/1997 Masters
5,860,281 A 1/1999 Coffee et al.

(Continued)

OTHER PUBLICATIONS

Transmittal Letter of Related Cases.

(Continued)

Primary Examiner — Natasha Vujcic

(74) *Attorney, Agent, or Firm* — Middleton Reutlinger

(57) **CLAIM**

The ornamental design for a refrigerating apparatus, as shown and described.

DESCRIPTION

FIG. 1 is a perspective view of a first design of a refrigerating apparatus;

FIG. 2 is a front elevation view of the design of FIG. 1;

FIG. 3 is a right side elevation view of the design of FIG. 1;

FIG. 4 is a left side elevation view of the design of FIG. 1;

FIG. 5 is a rear elevation view of the design of FIG. 1;

FIG. 6 is a top plan view of the design of FIG. 1; and,

FIG. 7 is a bottom plan view of the design of FIG. 1.

FIG. 8 is a perspective view of a second design of a refrigerating apparatus;

FIG. 9 is a front elevation view of the design of FIG. 8;

FIG. 10 is a right side elevation view of the design of FIG. 8;

FIG. 11 is a left side elevation view of the design of FIG. 8;

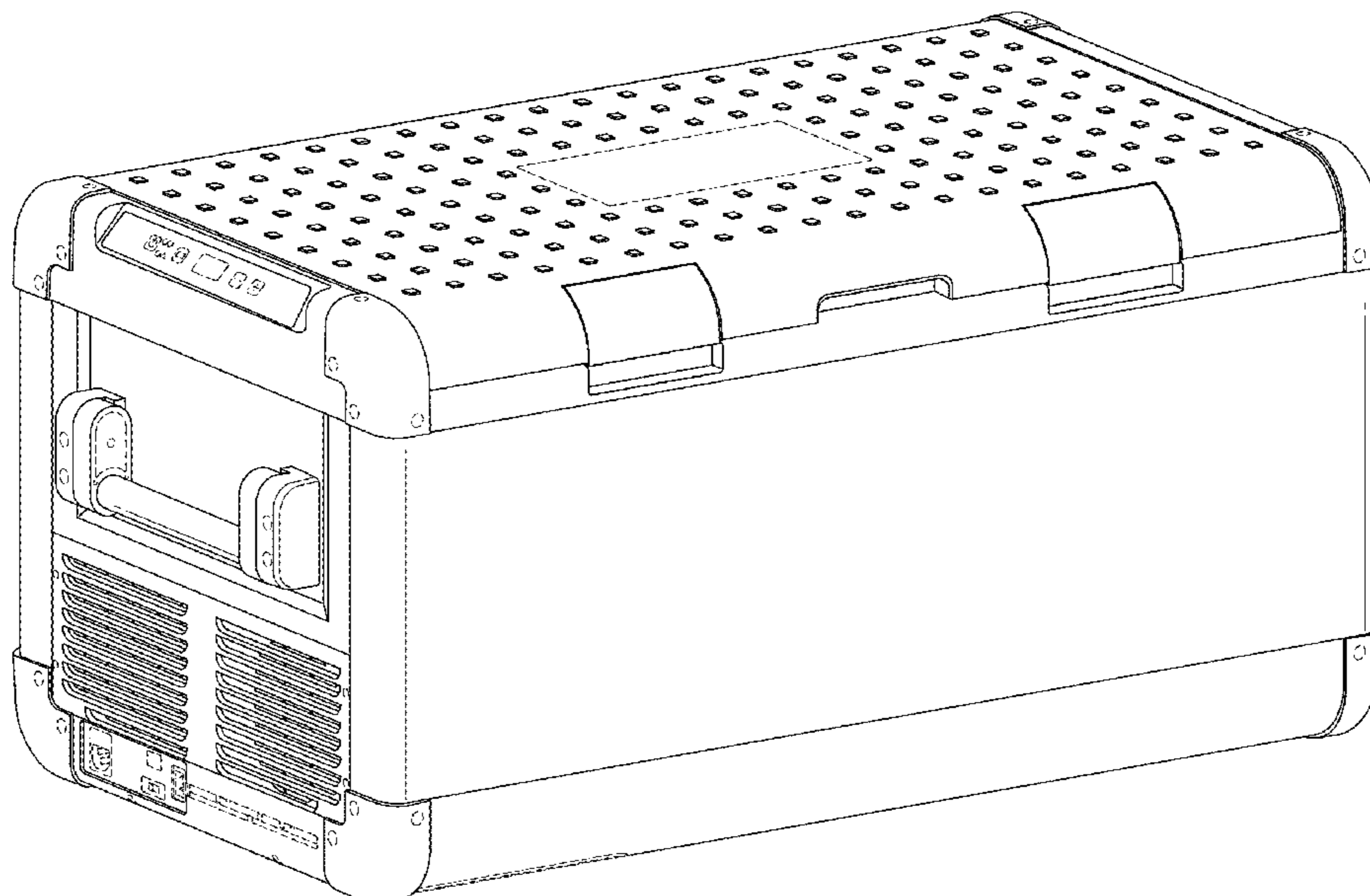
FIG. 12 is a rear elevation view of the design of FIG. 8;

FIG. 13 is a top plan view of the design of FIG. 8; and,

FIG. 14 is a bottom plan view of the design of FIG. 8.

The broken lines in the drawings illustrate portions of the refrigerating apparatus which form no part of the claimed design.

1 Claim, 14 Drawing Sheets



(56)

References Cited

U.S. PATENT DOCUMENTS

D454,892 S * 3/2002 Black D15/83
 6,474,097 B2 11/2002 Treppedi et al.
 D497,517 S 10/2004 Reuter
 D500,057 S 12/2004 Reuter
 7,143,601 B1 12/2006 Jimenez
 D534,771 S 1/2007 Zorn
 D558,239 S * 12/2007 Takemoto D15/83
 7,415,794 B1 8/2008 Thompson
 7,913,849 B2 3/2011 Pedrazzi et al.
 8,104,800 B2 1/2012 Lorek
 8,312,816 B2 11/2012 Vaccarella
 D712,720 S 9/2014 Seiders
 D712,721 S 9/2014 Seiders
 D712,722 S 9/2014 Seiders
 D712,723 S 9/2014 Seiders
 D714,125 S 9/2014 Seiders
 8,910,819 B2 12/2014 Seiders
 D722,474 S 2/2015 Seiders
 D722,475 S 2/2015 Seiders
 D732,348 S 6/2015 Seiders et al.
 D732,349 S 6/2015 Seiders et al.
 D732,350 S 6/2015 Seiders et al.
 D732,899 S 6/2015 Seiders et al.
 9,139,352 B2 9/2015 Seiders et al.
 9,163,871 B1 10/2015 Costello
 9,187,232 B2 11/2015 Seiders
 9,220,250 B1 12/2015 Davis
 9,232,290 B2 1/2016 Besay
 D750,140 S * 2/2016 Cross D15/81
 D752,347 S 3/2016 Seiders et al.
 9,320,938 B1 4/2016 Belmore
 D792,486 S * 7/2017 Li D15/81
 D802,028 S * 11/2017 Li D15/81
 D802,029 S * 11/2017 Li D15/81
 D802,630 S * 11/2017 Li D15/81
 D820,049 S * 6/2018 Ahlstrom D7/605
 D830,429 S * 10/2018 Brown D15/79
 D836,993 S * 1/2019 Meda D7/605
 D836,994 S * 1/2019 Meda D7/605
 D844,386 S * 4/2019 Ahlstrom D7/605
 D851,138 S * 6/2019 Murobayashi D15/81
 D854,588 S * 7/2019 Black D15/81
 D880,540 S * 4/2020 Xie D15/83
 2011/0226785 A1 9/2011 Sakell
 2014/0338390 A1 11/2014 Pinto et al.

2015/0000318 A1 1/2015 Pinto et al.
 2015/0008242 A1 1/2015 Kpabar
 2015/0021106 A1 1/2015 LaRosa
 2015/0114024 A1 4/2015 Grepper
 2015/0241107 A1 8/2015 Mech
 2015/0322698 A1 11/2015 Seiders
 2015/0353263 A1 12/2015 Seiders et al.
 2016/0101924 A1 4/2016 Mitchell et al.
 2017/0023290 A1 1/2017 DeMuth et al.

FOREIGN PATENT DOCUMENTS

AU 201712802 5/2017
 AU 201712803 5/2017
 EM 004006476-0001 5/2017
 EM 004006476-0002 5/2017
 EM 004006476-0003 5/2017
 EM 004007706-0001 5/2017
 EM 004007706-0002 5/2017

OTHER PUBLICATIONS

Dometic CF Portable Coolers, Dometic Product Catalog 2016.
 Dometic RV Refrigeration, Portable Freezers/Refrigerators, Dometic Product Catalog 2015.
 Chinese Design Patent Application No. 201730180150 entitled "Latch" filed May 16, 2017.
 Chinese Design Patent Application No. 201730180148.2 entitled "Refrigerating Apparatus" filed May 16, 2017.
 European Design Patent Application No. 003482694 entitled "Cooler" filed Nov. 25, 2016.
 Thailand Design Patent Application No. 1702001859 entitled "Cooler" filed May 22, 2017.
 Design U.S. Appl. No. 29/585,272 entitled "Cooler" filed Nov. 22, 2016.
 Design U.S. Appl. No. 29/604,424 entitled Cooler filed May 17, 2017.
 Design U.S. Appl. No. 29/604,426 entitled Cooler filed May 17, 2017.
 Design U.S. Appl. No. 29/585,279 entitled "Latch" filed Nov. 22, 2016.
 Notice of Granting Patent Right for Design Application No. 201730180148.2, dated Oct. 19, 2017.
 Australian Patent Application No. AU201716789 filed Nov. 8, 2017.
 Australian Patent Application No. AU201716791 filed Nov. 8, 2017.

* cited by examiner

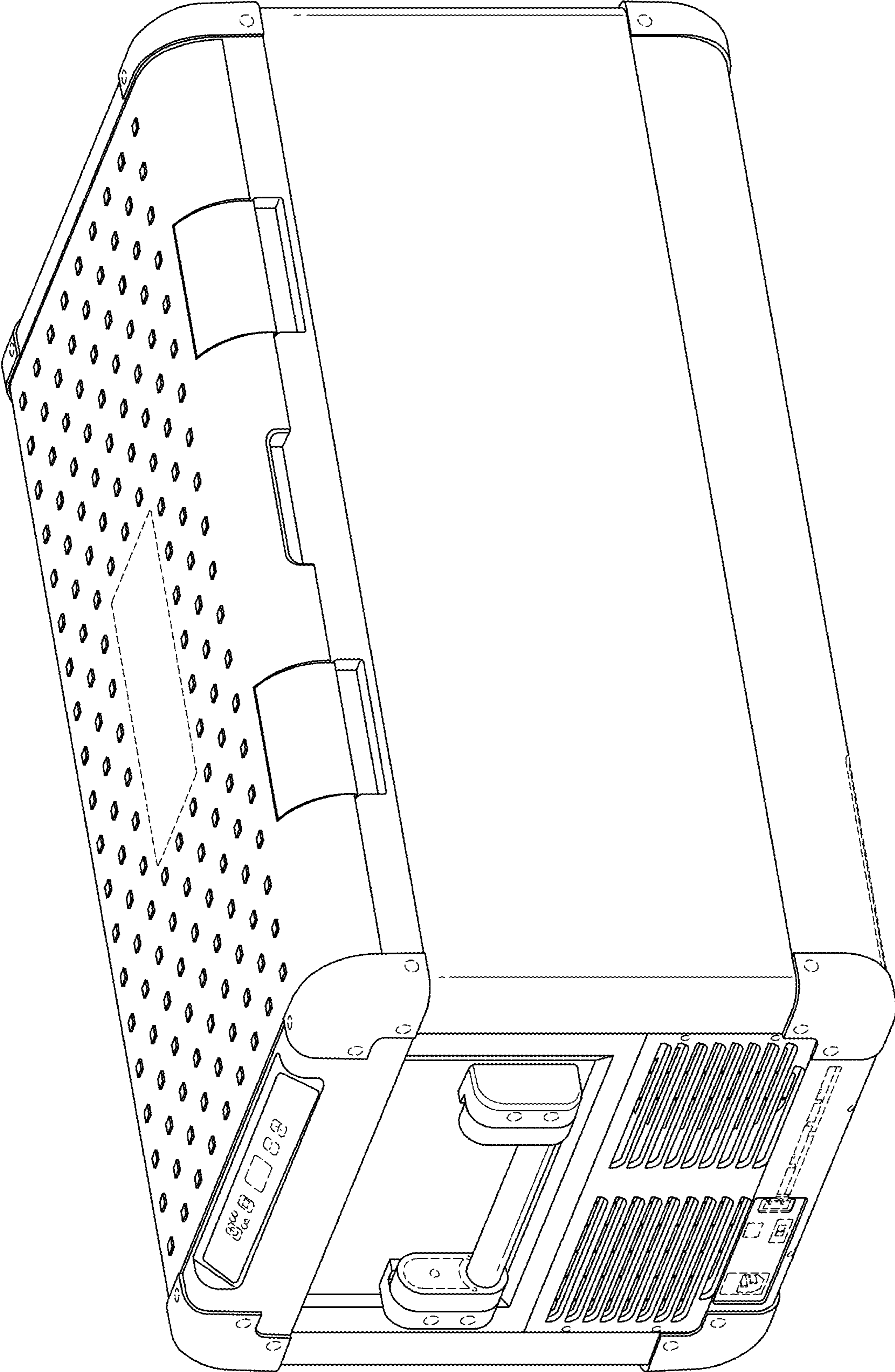


FIG. 1

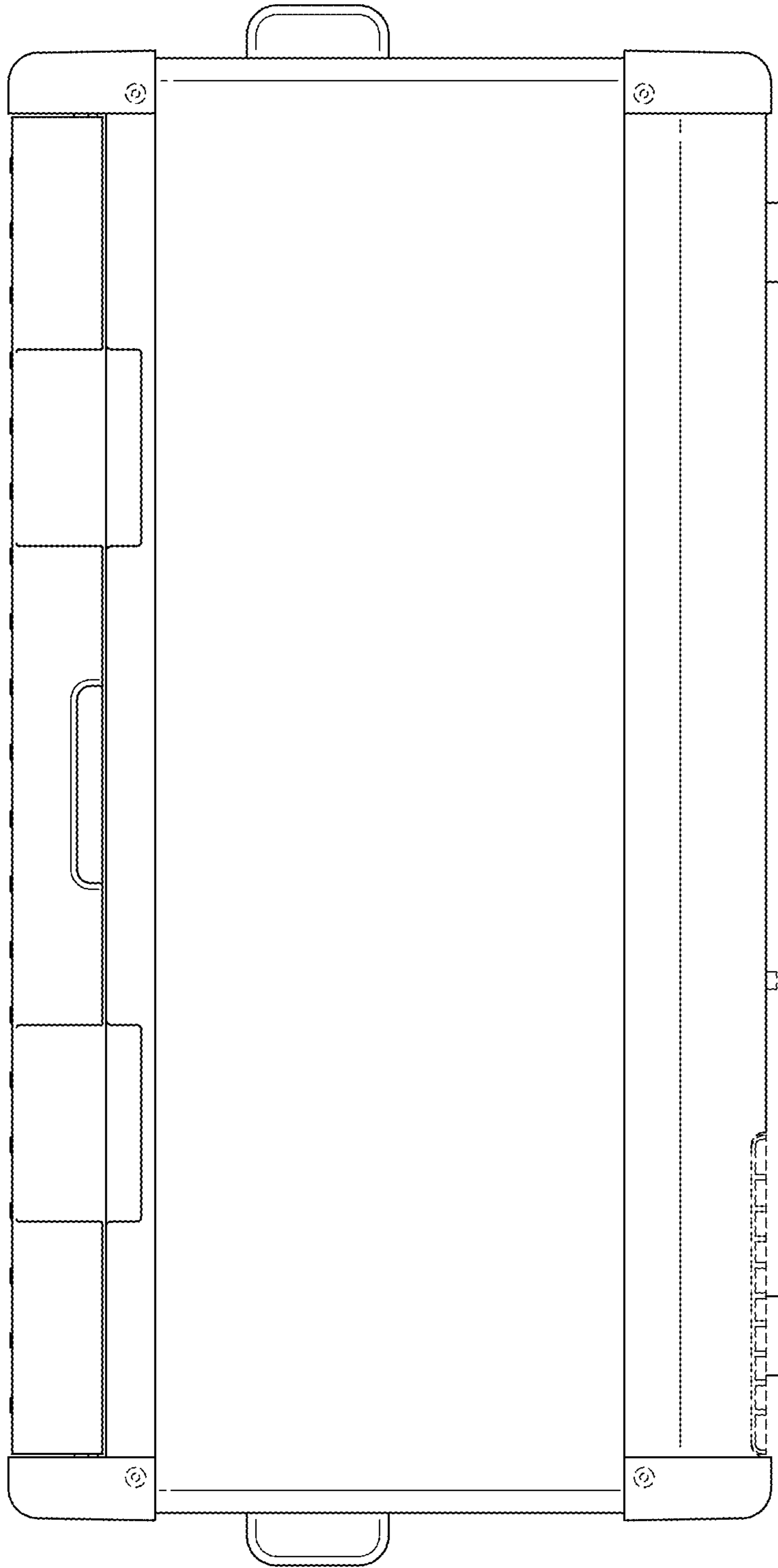


FIG. 2

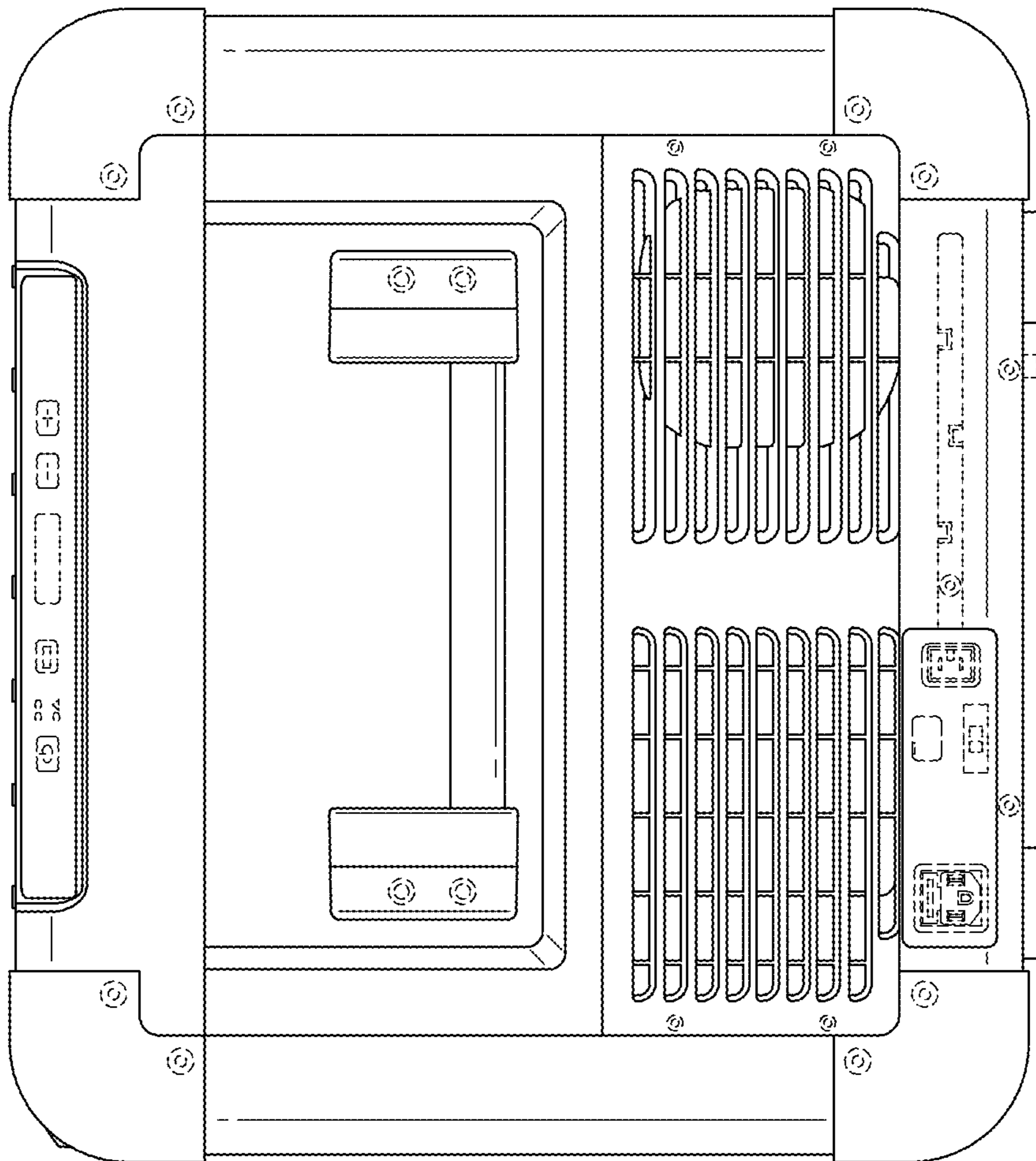


FIG. 3

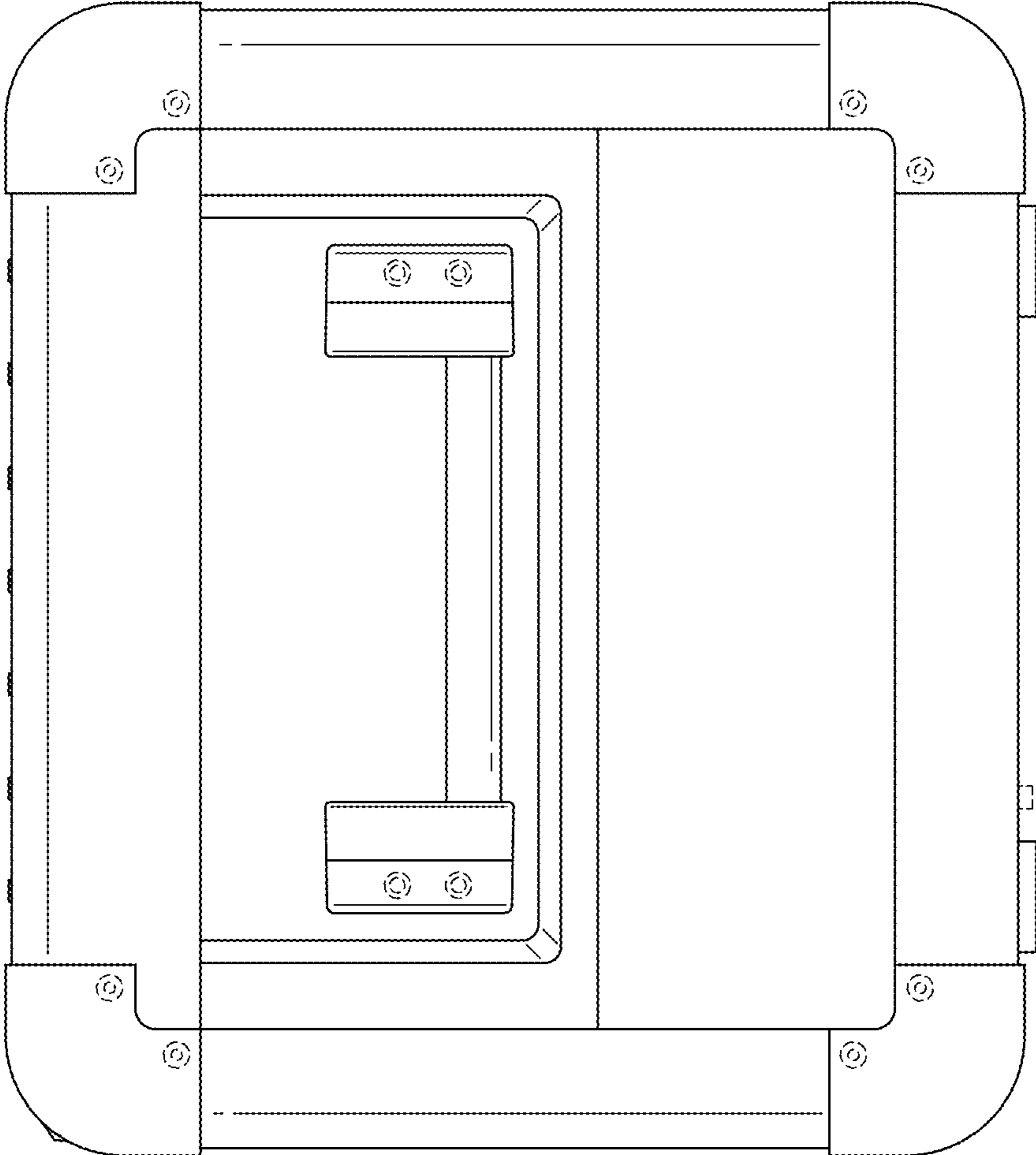


FIG. 4

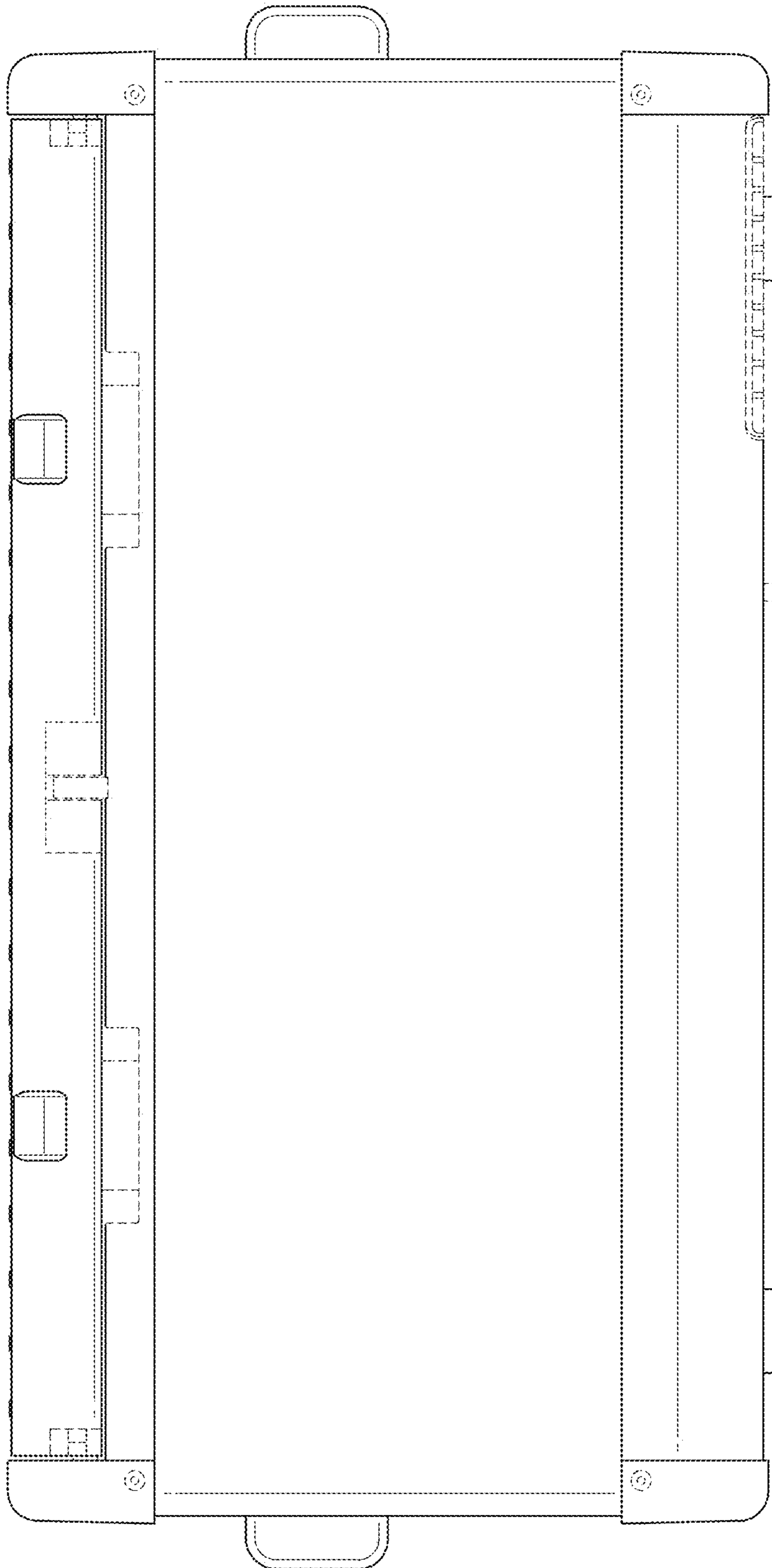


FIG. 5

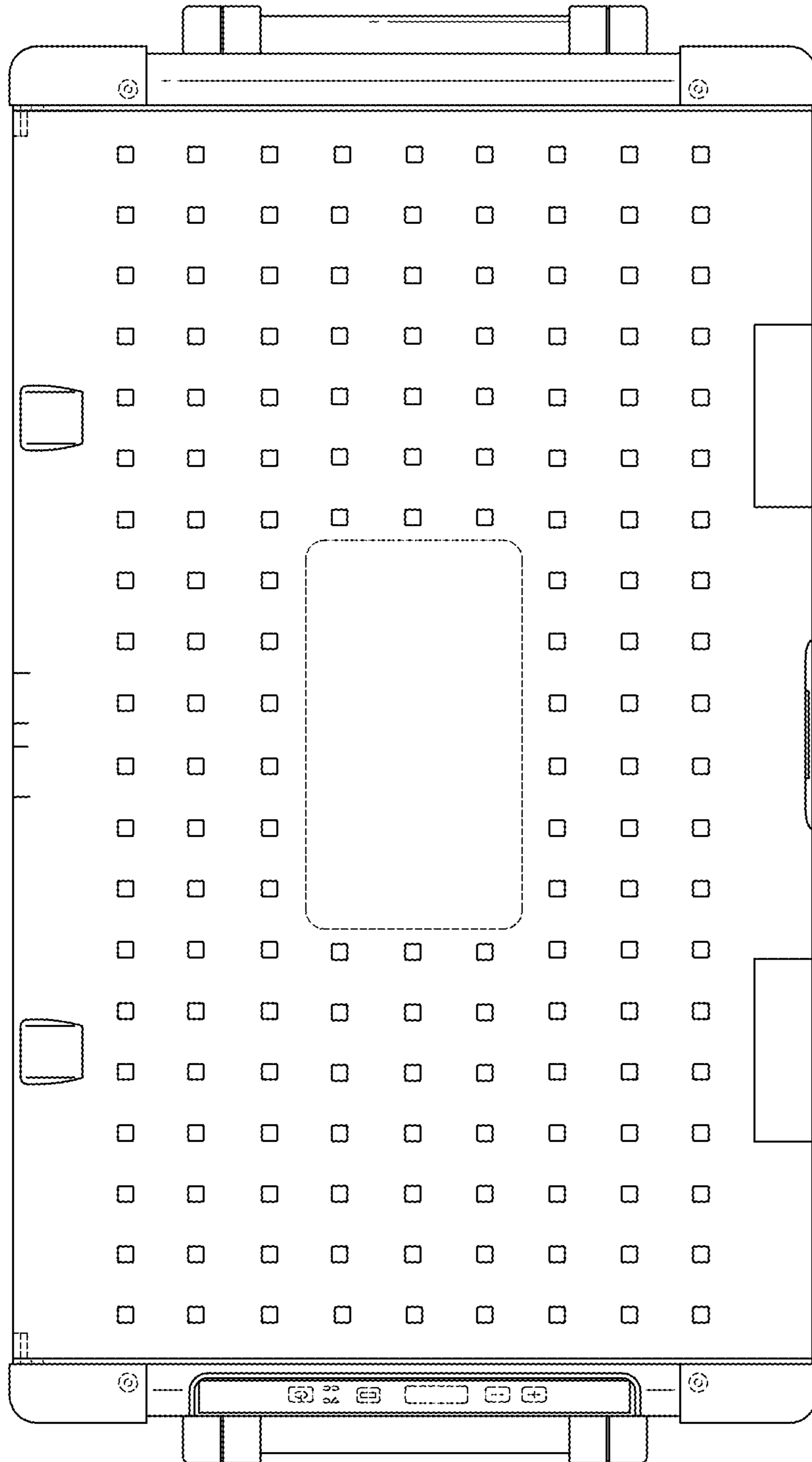


FIG. 6

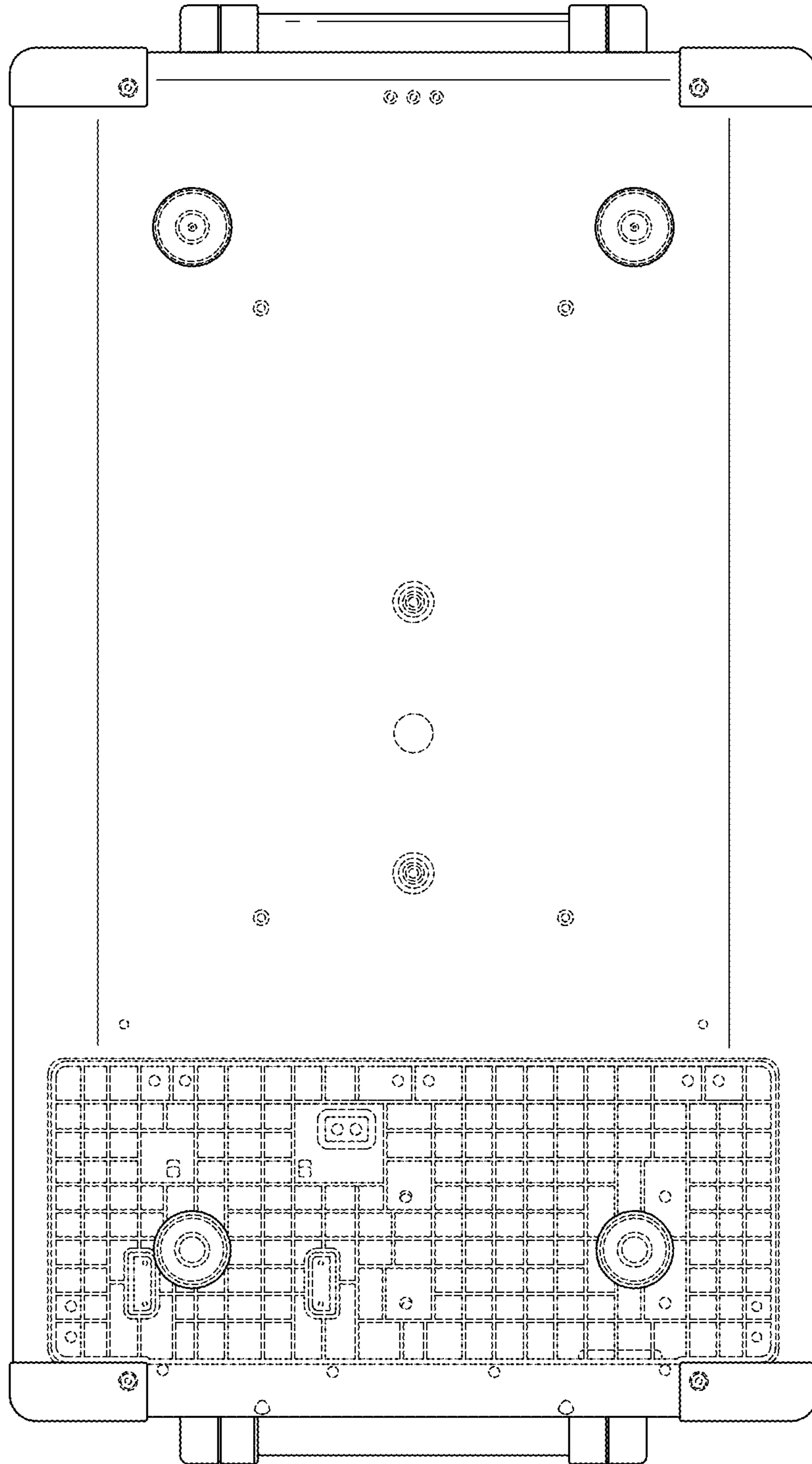


FIG. 7

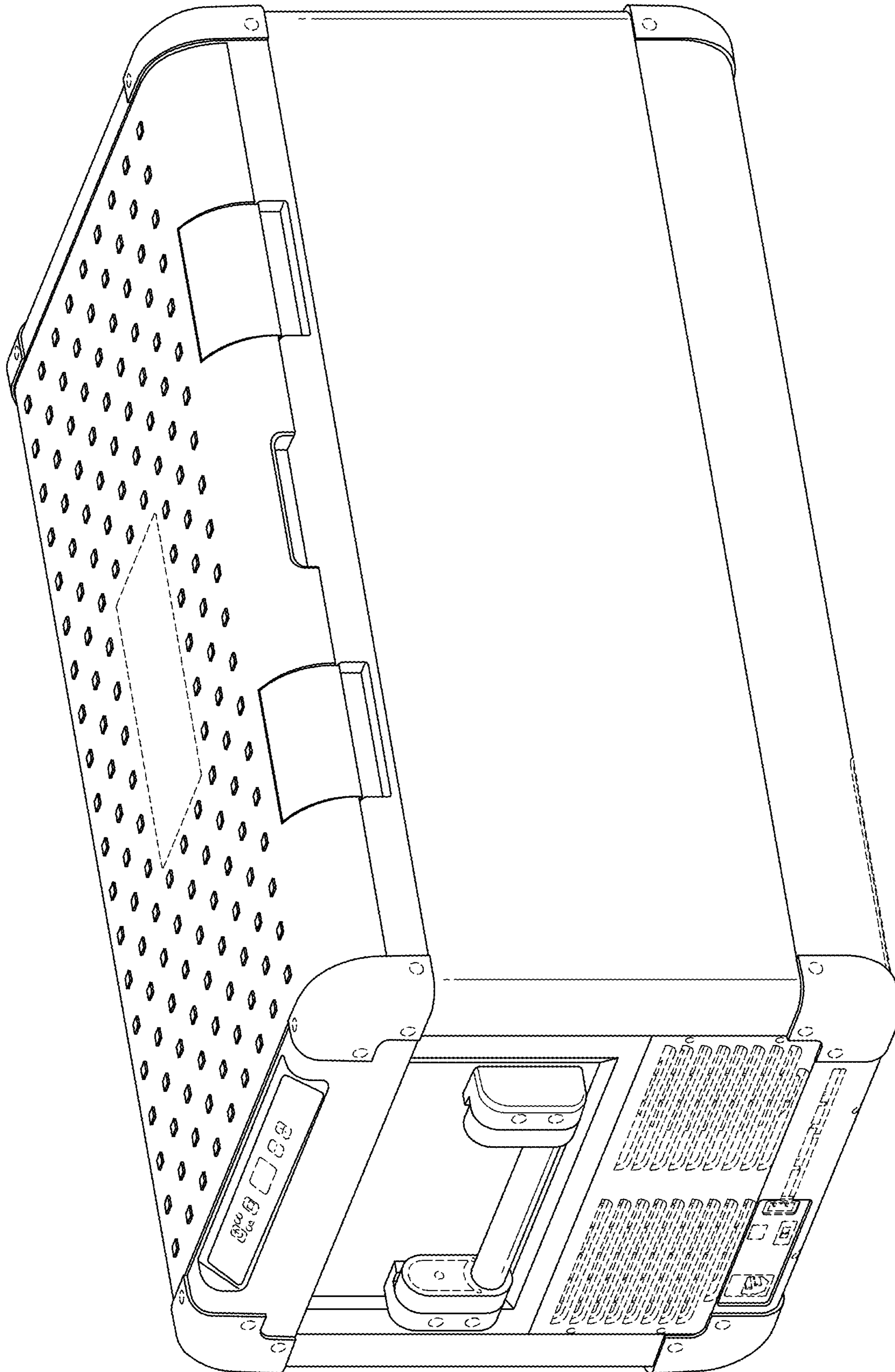


FIG. 8

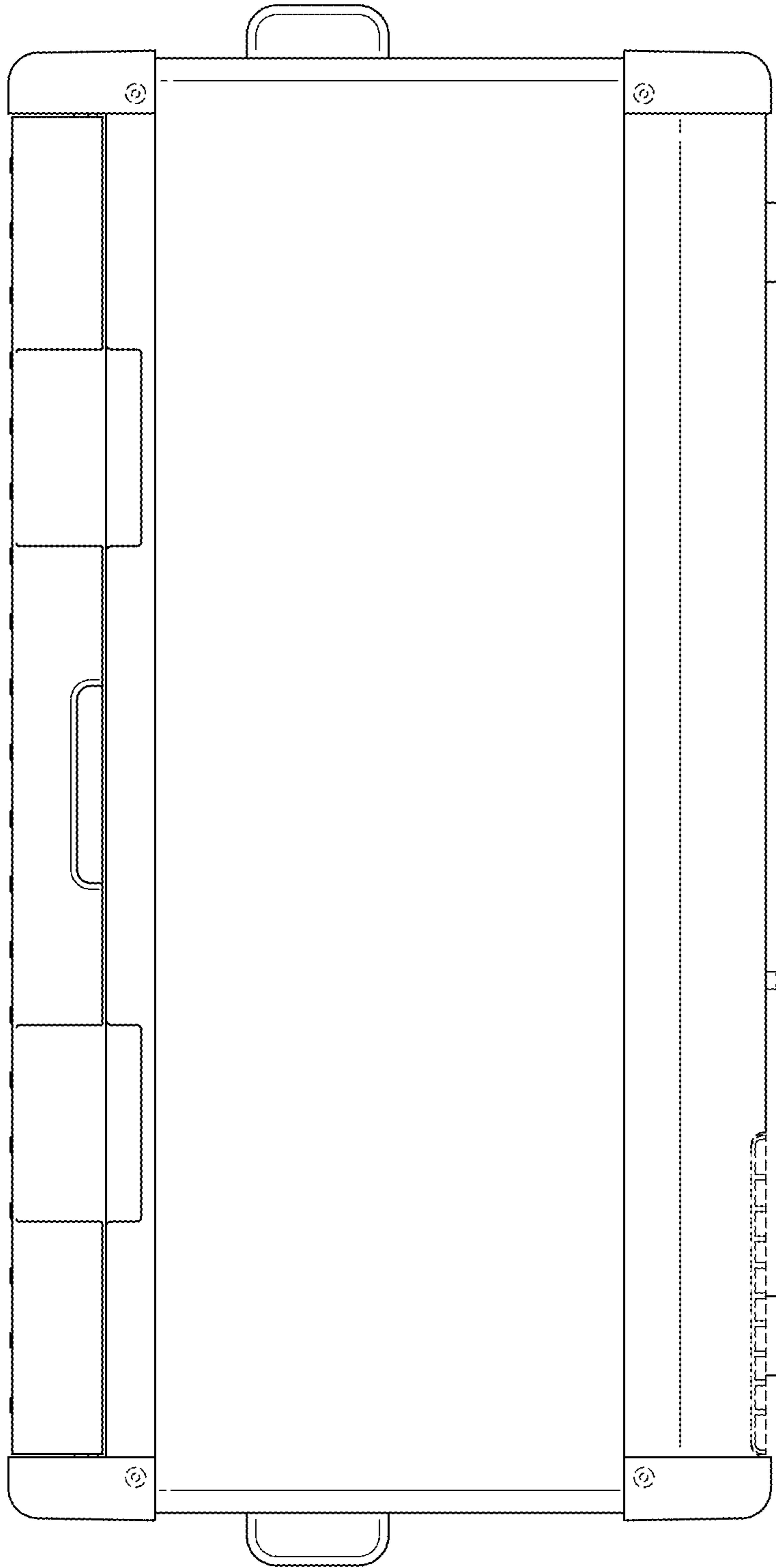


FIG. 9

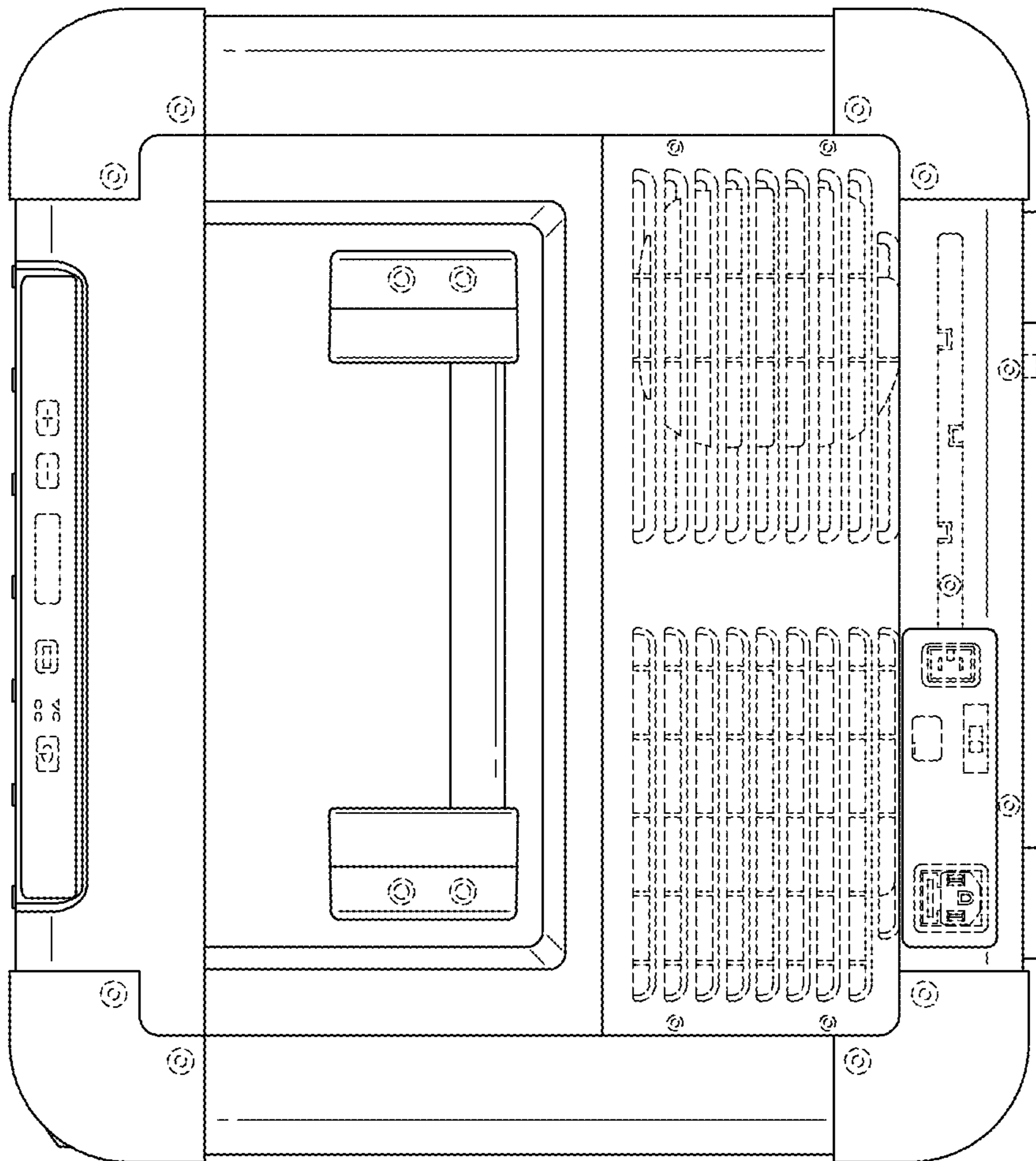


FIG. 10

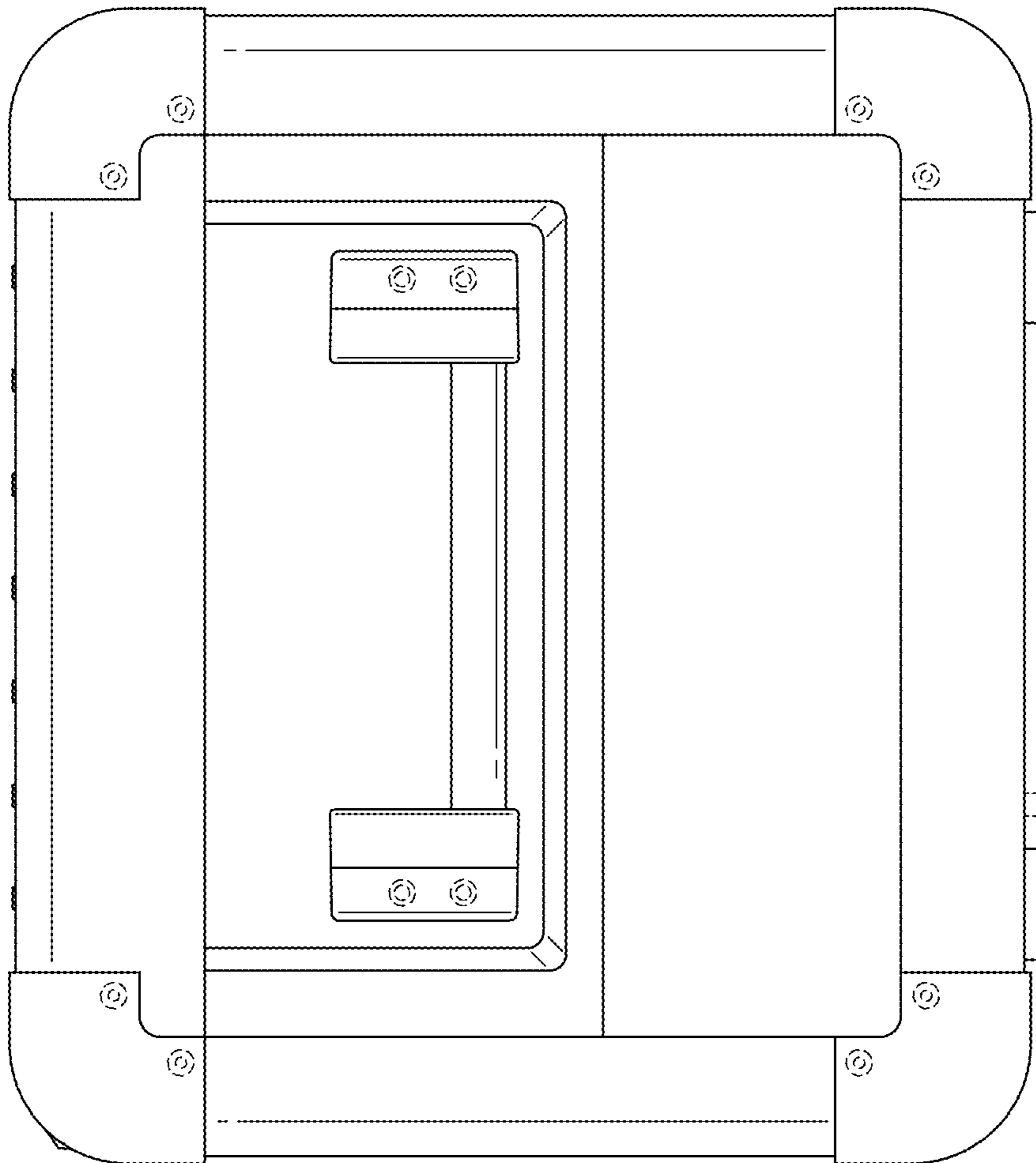


FIG. 11

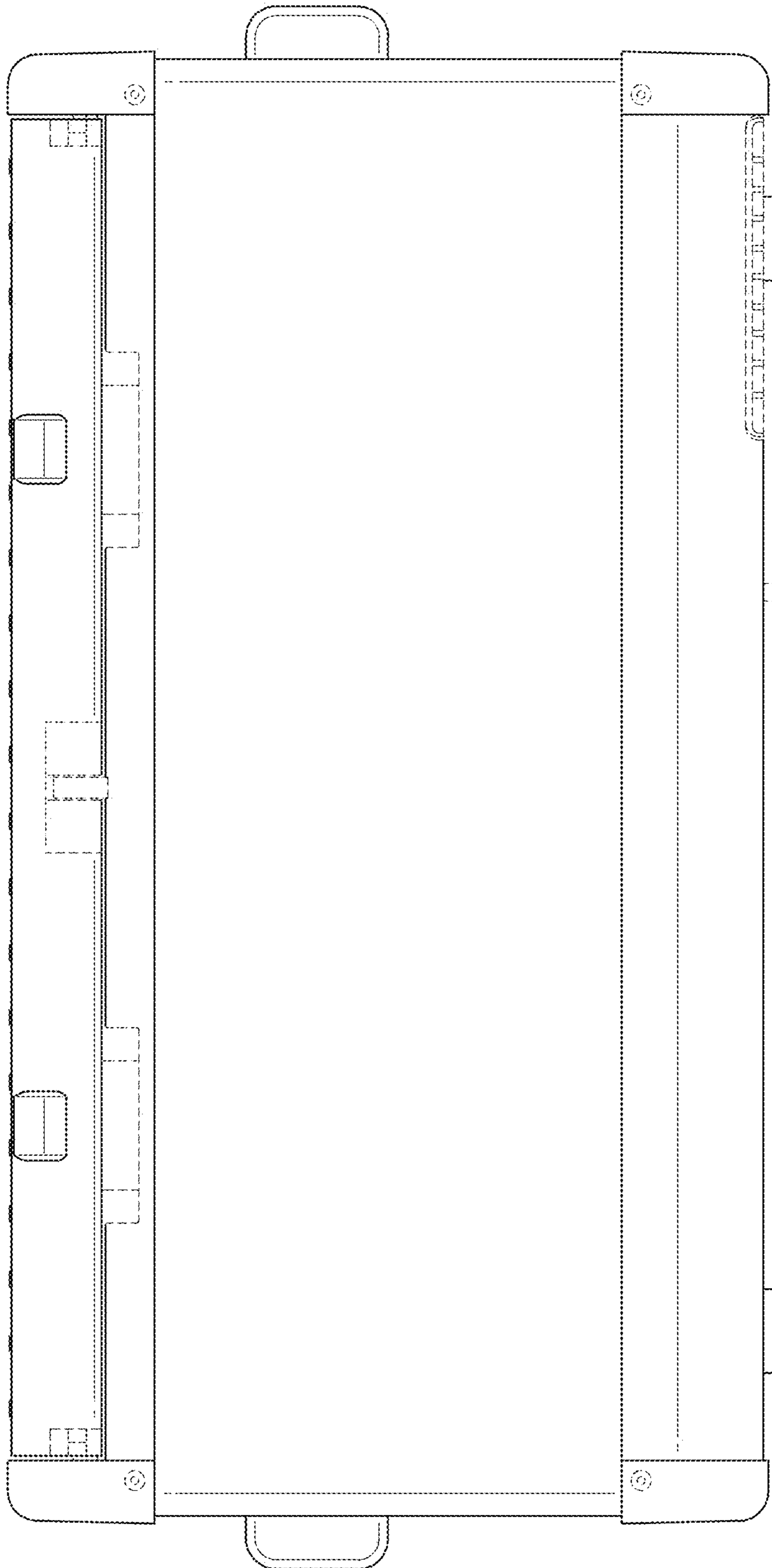


FIG. 12

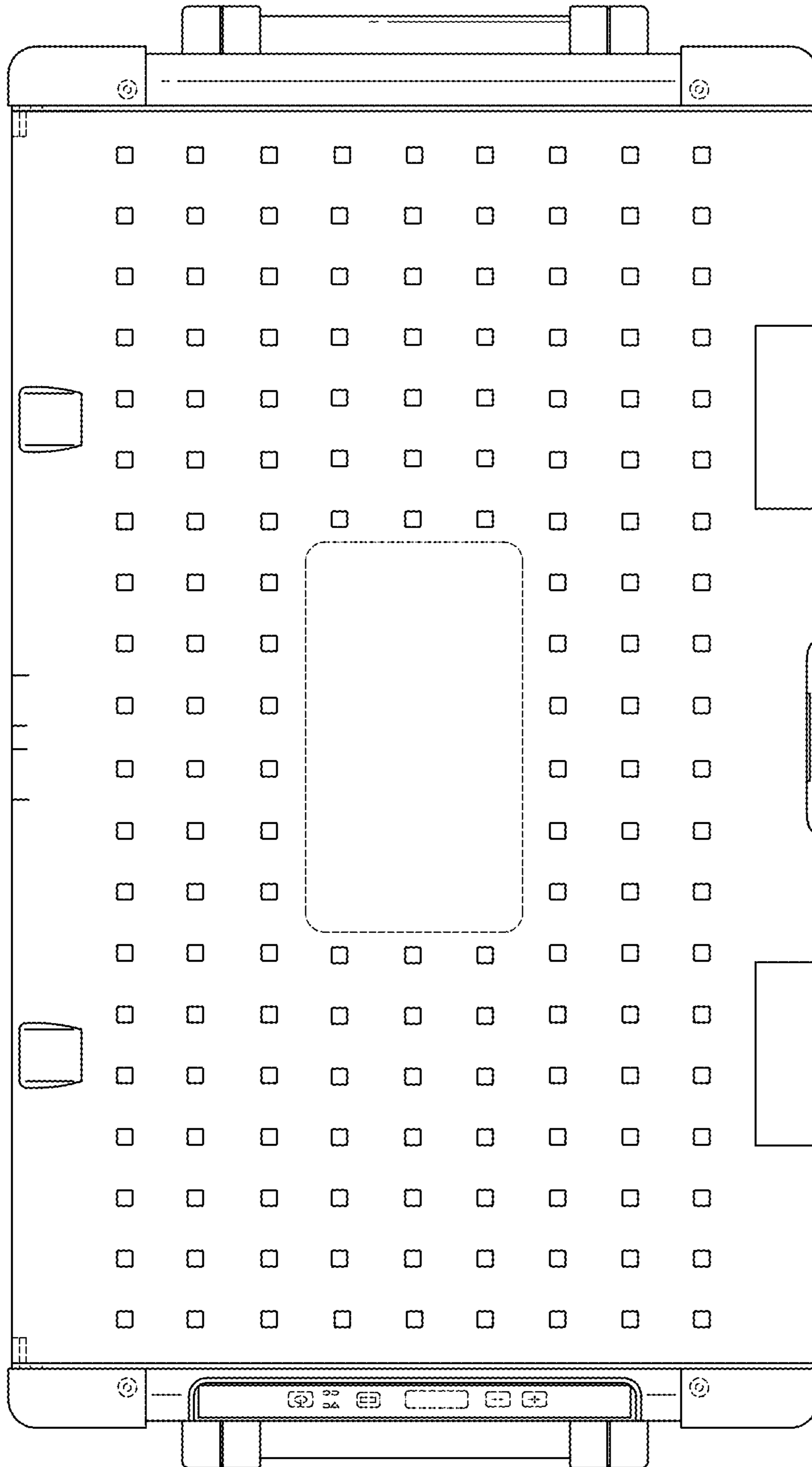


FIG. 13

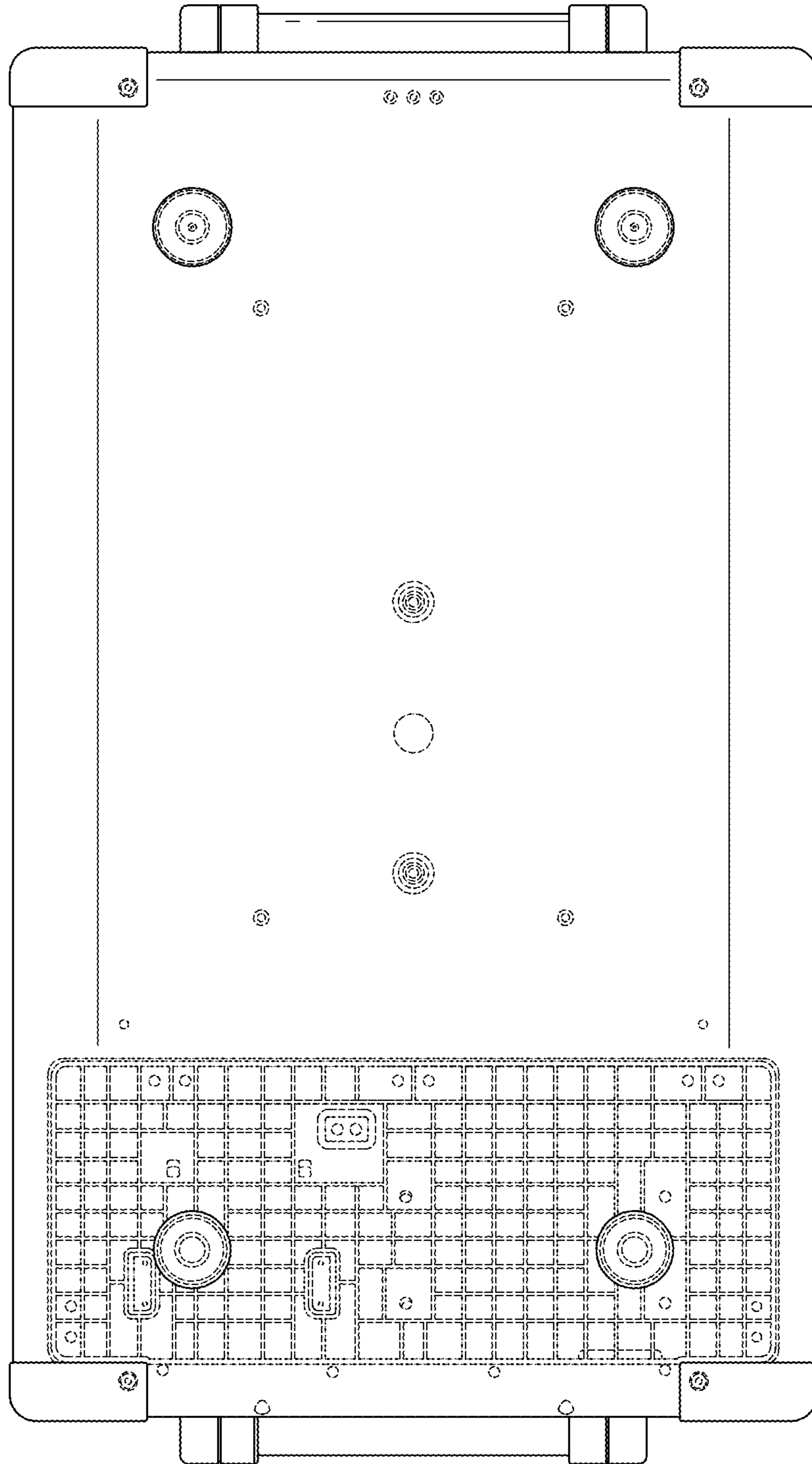


FIG. 14