



US00D907073S

(12) **United States Design Patent** (10) **Patent No.:** **US D907,073 S**
Liu (45) **Date of Patent:** **** Jan. 5, 2021**

(54) **CABINET FOR FREEZER**

(71) Applicant: **Yu-Chen Liu**, Guangdong (CN)
 (72) Inventor: **Yu-Chen Liu**, Guangdong (CN)
 (73) Assignee: **Handle Tech (SZ) Co., Ltd.**, Shenzhen (CN)
 (**) Term: **15 Years**

(21) Appl. No.: **29/696,191**

(22) Filed: **Jun. 26, 2019**

(51) **LOC (13) Cl.** **15-07**

(52) **U.S. Cl.**
USPC **D15/79**

(58) **Field of Classification Search**
 USPC D15/79-91
 CPC F02M 37/18; F02M 3/045; F02M 43/00;
 F02M 51/04; F02M 51/0614; F02M
 53/043; F02M 55/004; F02M 55/008;
 F02M 57/021; F02M 57/027; F02M
 59/025; F02M 59/10; F02M 5/00; F02M
 5/12; F02M 5/14; F02M 61/02; F02M
 61/045; F02M 61/14; F02M 61/145;
 F02M 61/18; F02M 61/184; F02M
 61/1853; F02M 61/20; F02M 65/003;
 F02M 69/00; F02M 69/041; F02M
 69/043; F02M 69/32; F02M 69/50; F02M
 7/10; F02M 7/12; F02M 7/133; F02M
 7/17; F02M 9/12; F02M 9/127; F02M
 9/14

See application file for complete search history.

(56) **References Cited**

U.S. PATENT DOCUMENTS

D532,429	S	*	11/2006	Debontridder	D15/81
D674,822	S	*	1/2013	Ugumori	D15/79
D752,118	S	*	3/2016	Resch	D15/79
D752,119	S	*	3/2016	Resch	D15/79
D826,288	S	*	8/2018	Resch	D15/79
D826,289	S	*	8/2018	Resch	D15/79
D862,527	S	*	10/2019	Farley	D15/79

* cited by examiner

Primary Examiner — Khawaja Anwar

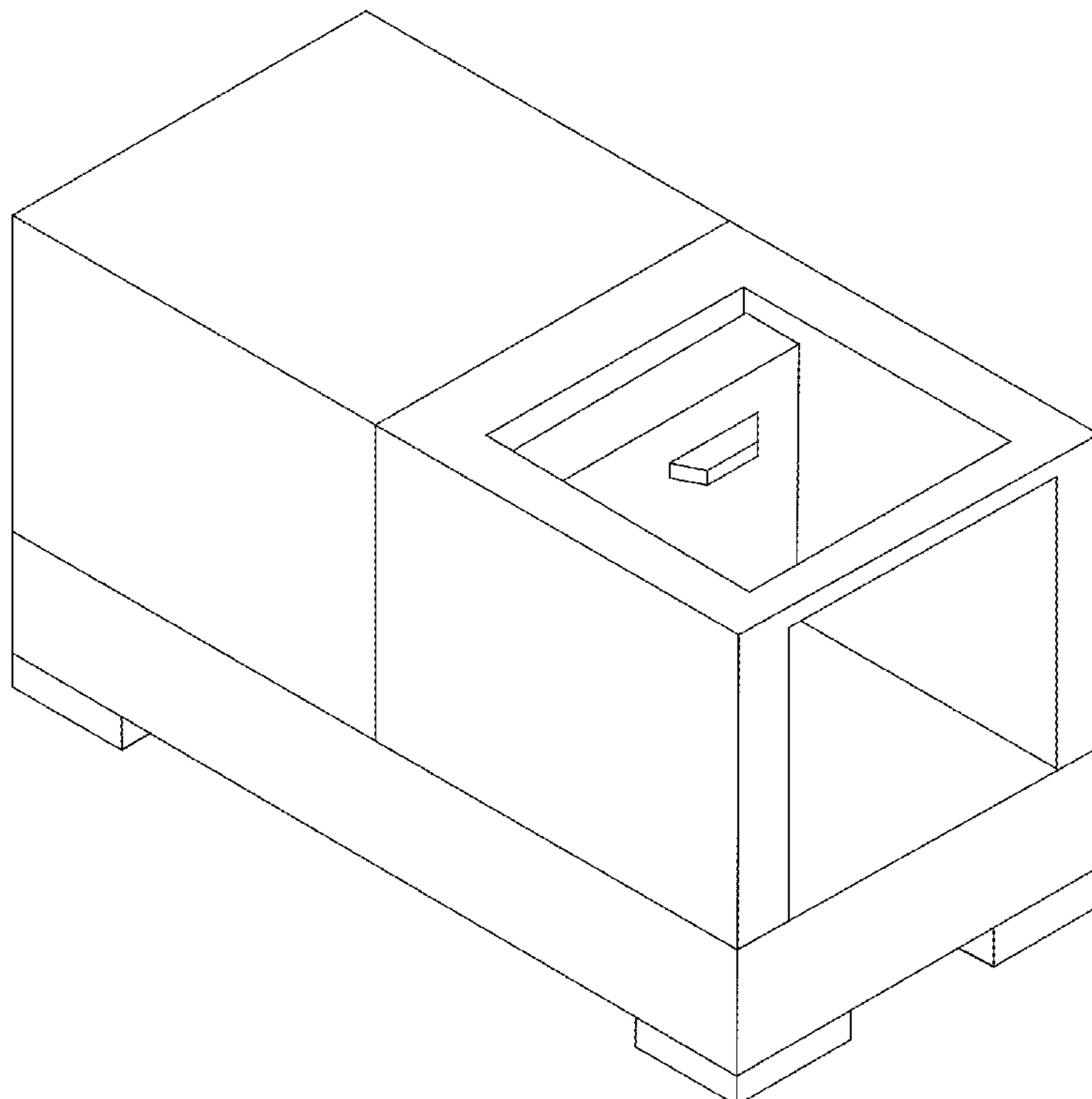
(57) **CLAIM**

The ornamental design for a cabinet for freezer, as shown and described.

DESCRIPTION

FIG. 1 is a perspective view of a cabinet for freezer showing my new design;
 FIG. 2 is a front elevation view thereof;
 FIG. 3 is a rear elevation view thereof;
 FIG. 4 is a left side elevation view thereof;
 FIG. 5 is a right side elevation view thereof;
 FIG. 6 is a top plan view thereof; and,
 FIG. 7 is a bottom plan view thereof.

1 Claim, 7 Drawing Sheets



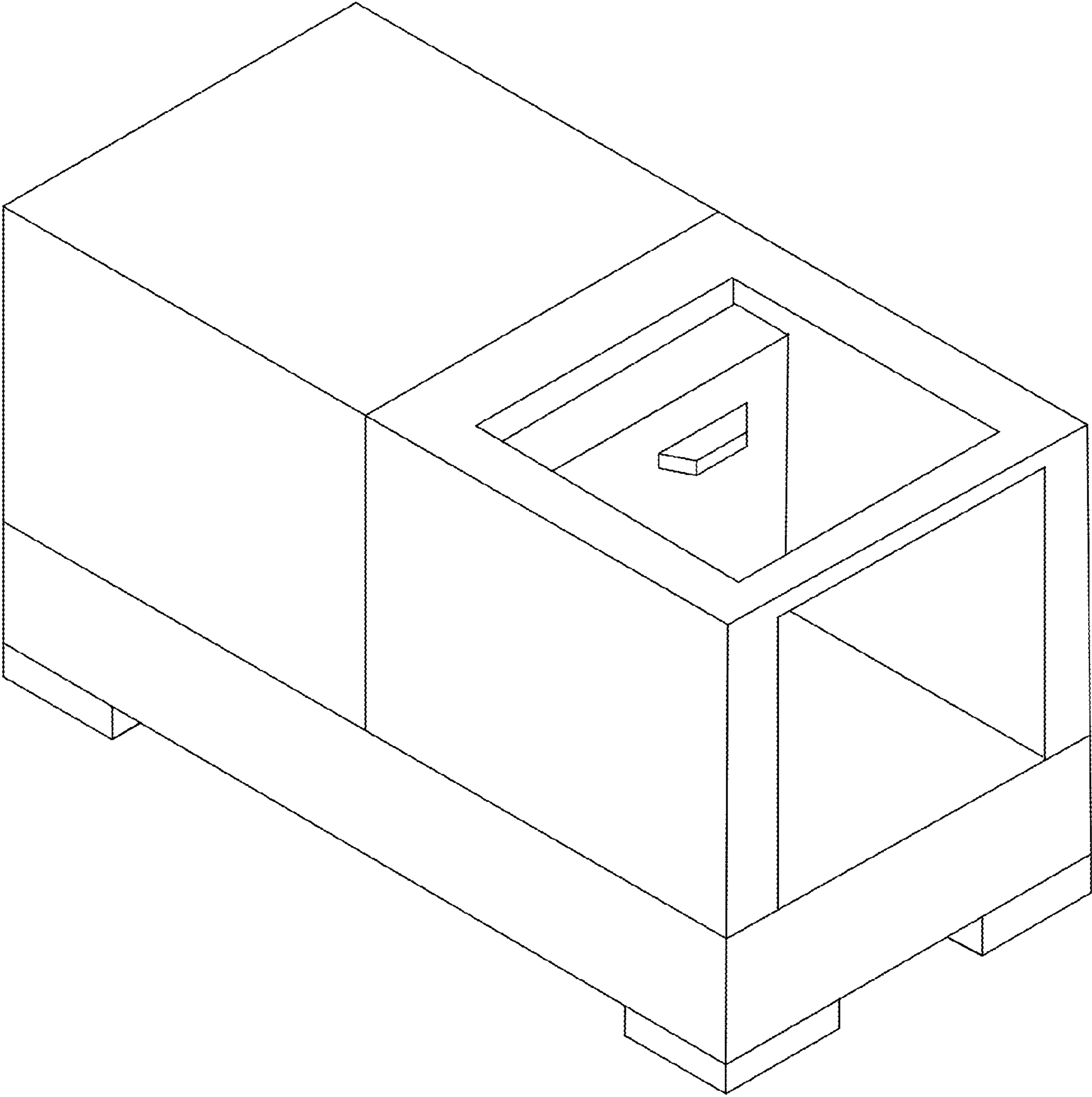


FIG.1

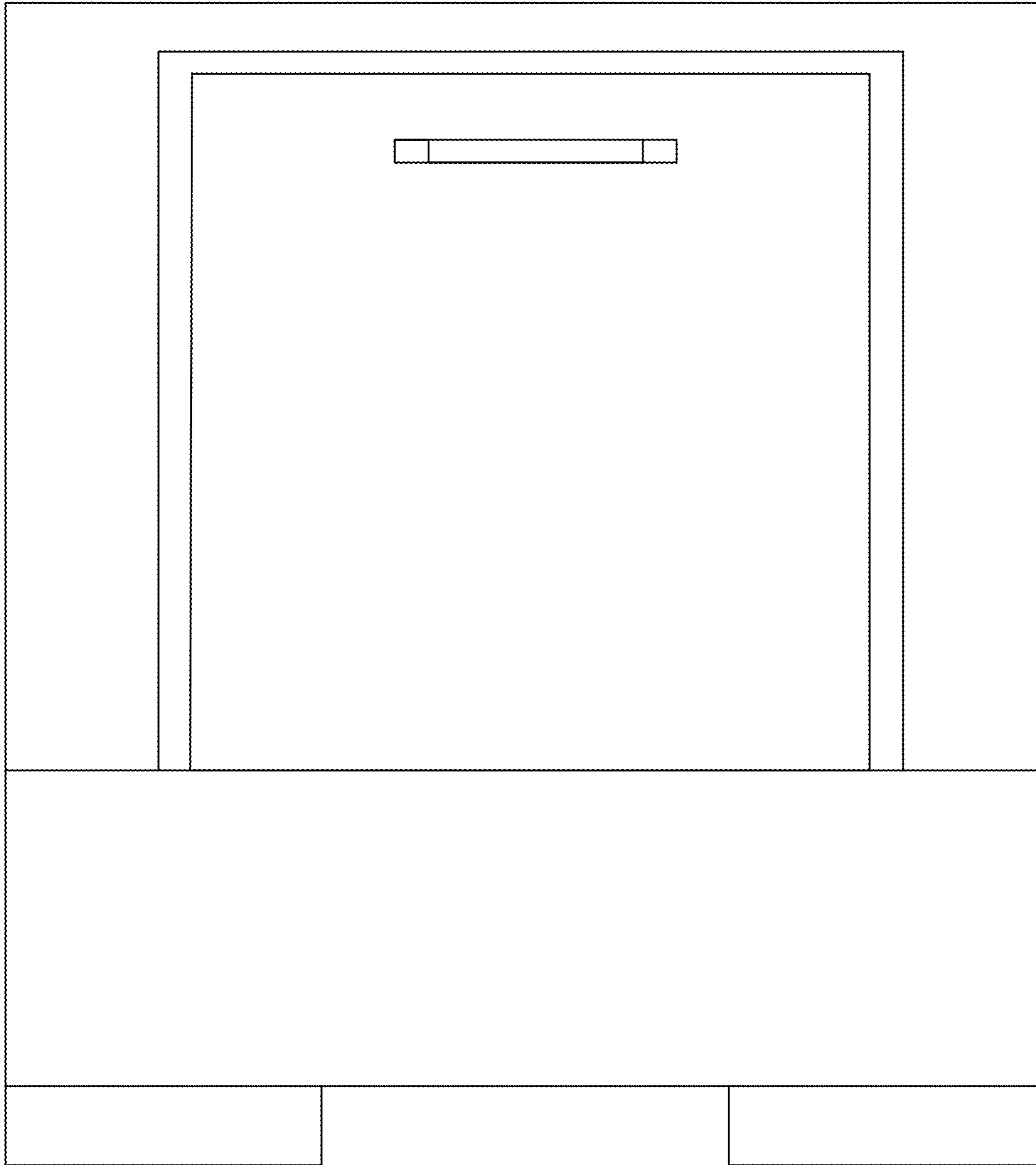


FIG.2

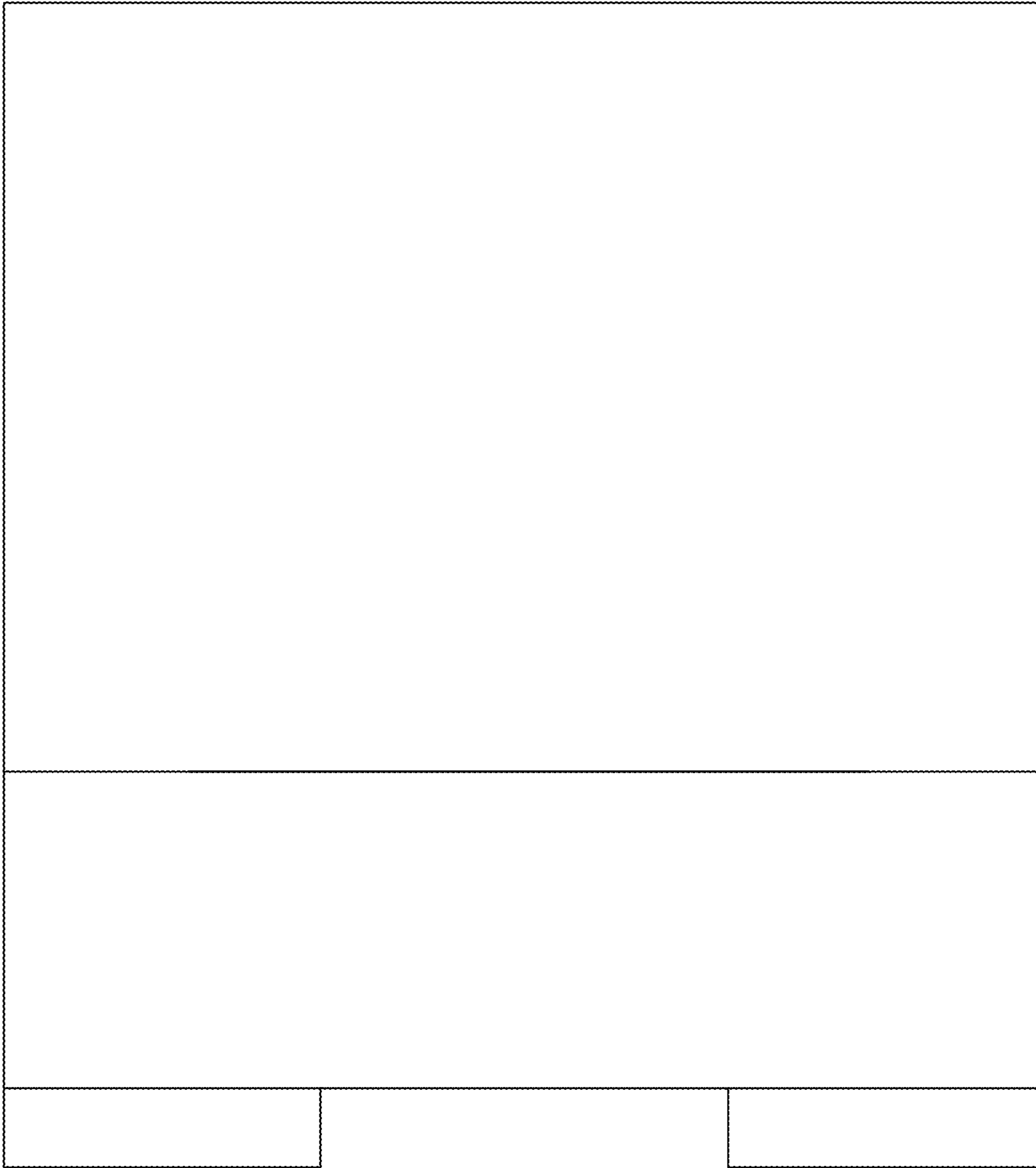


FIG. 3

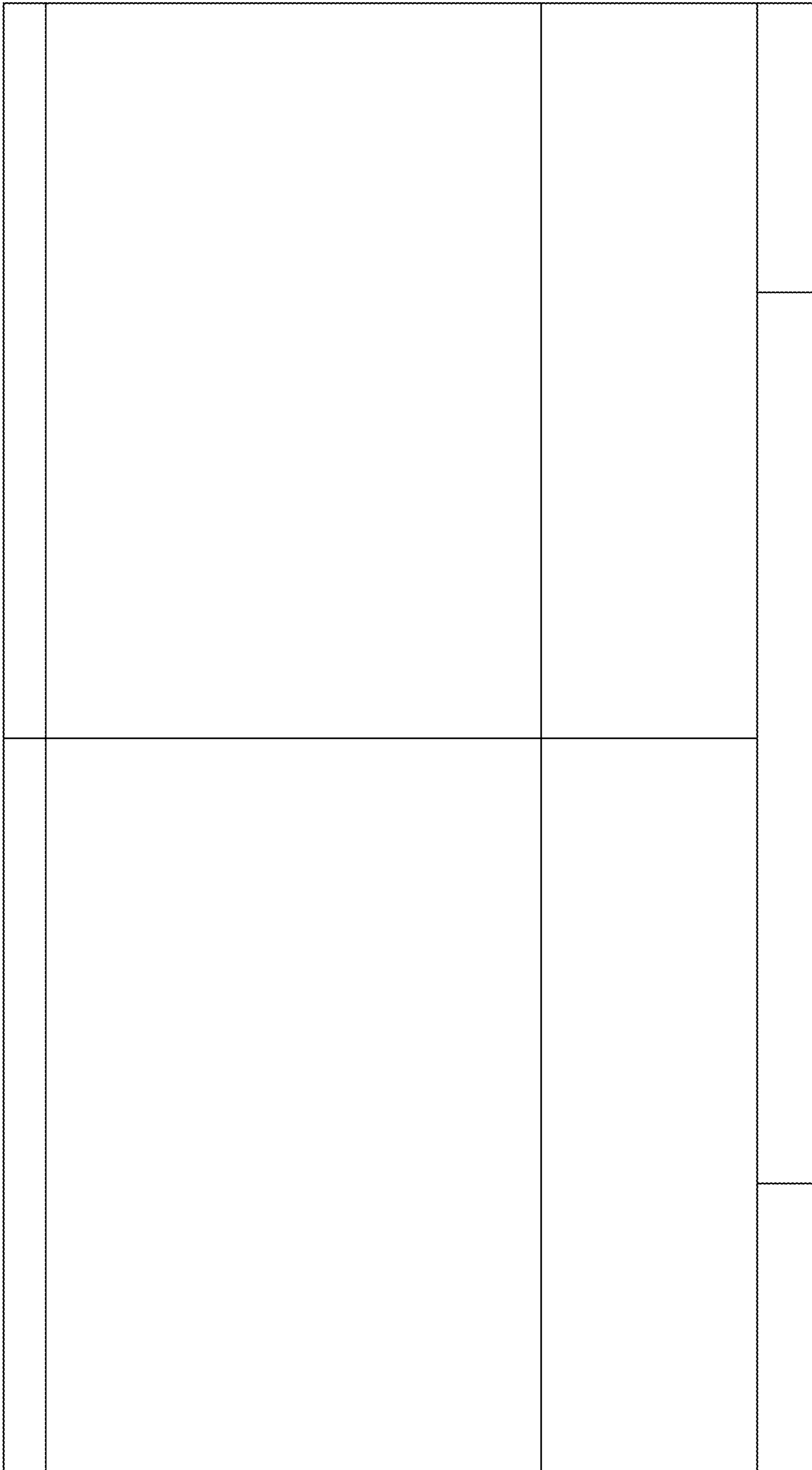


FIG.4

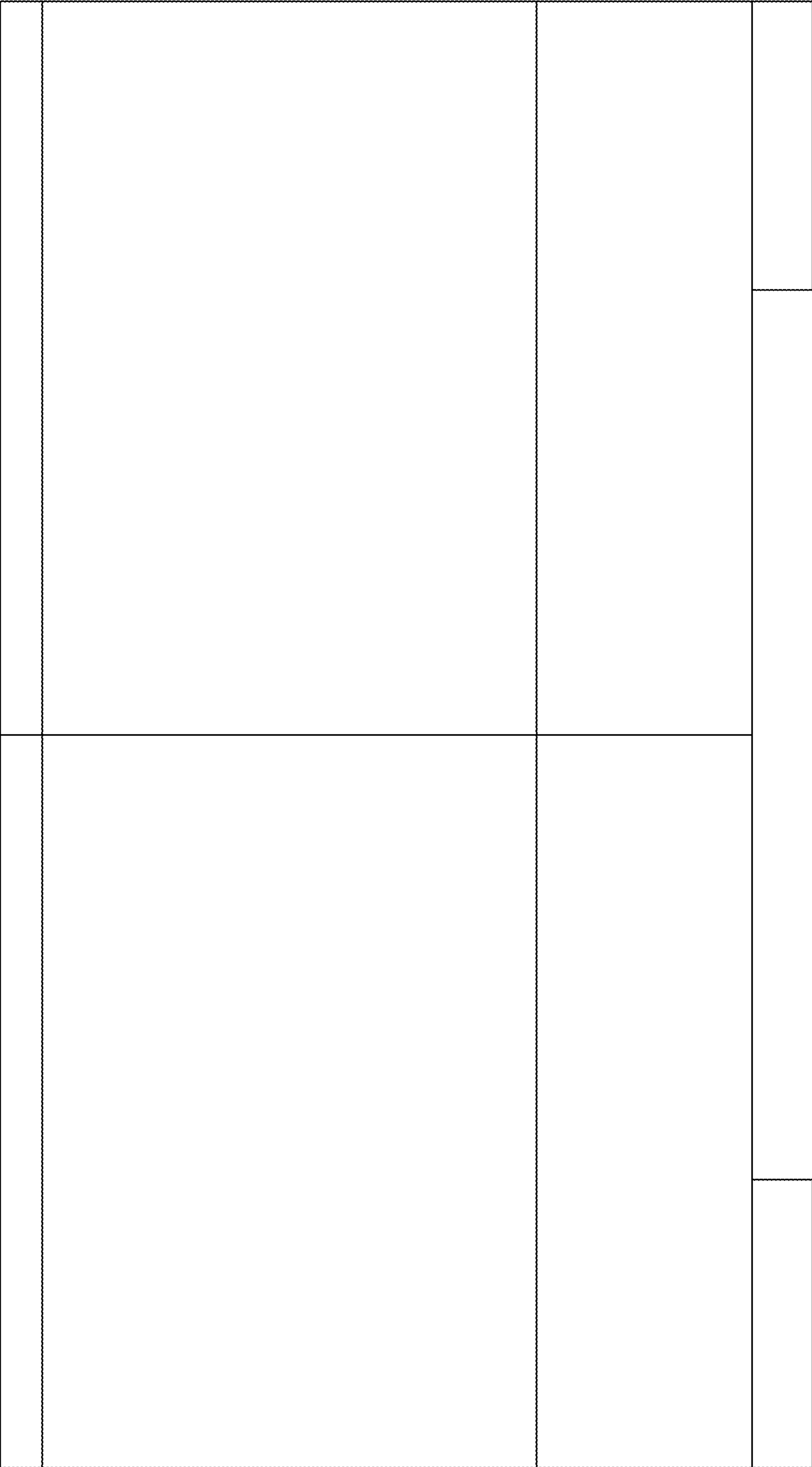


FIG. 5

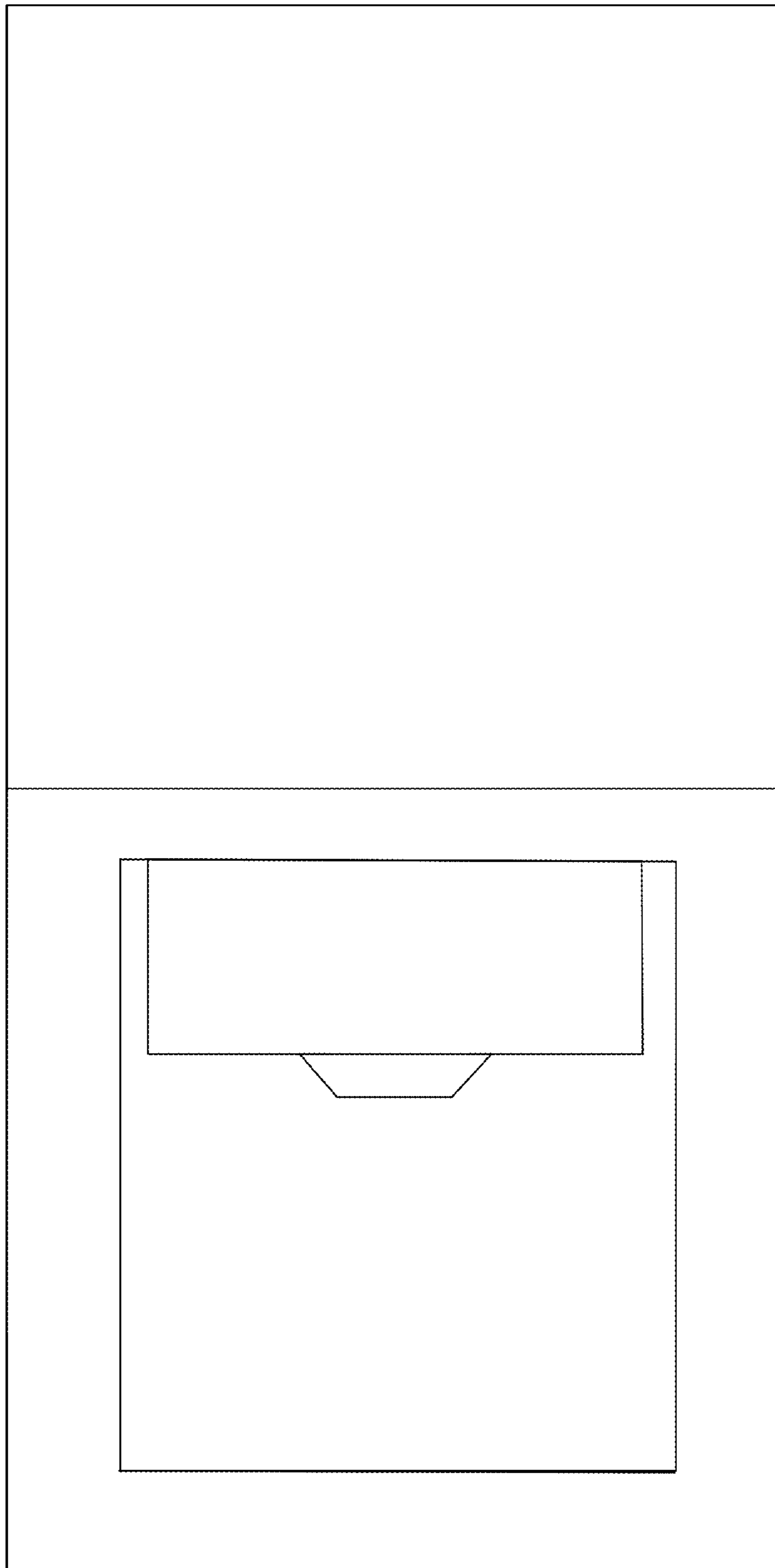


FIG. 6

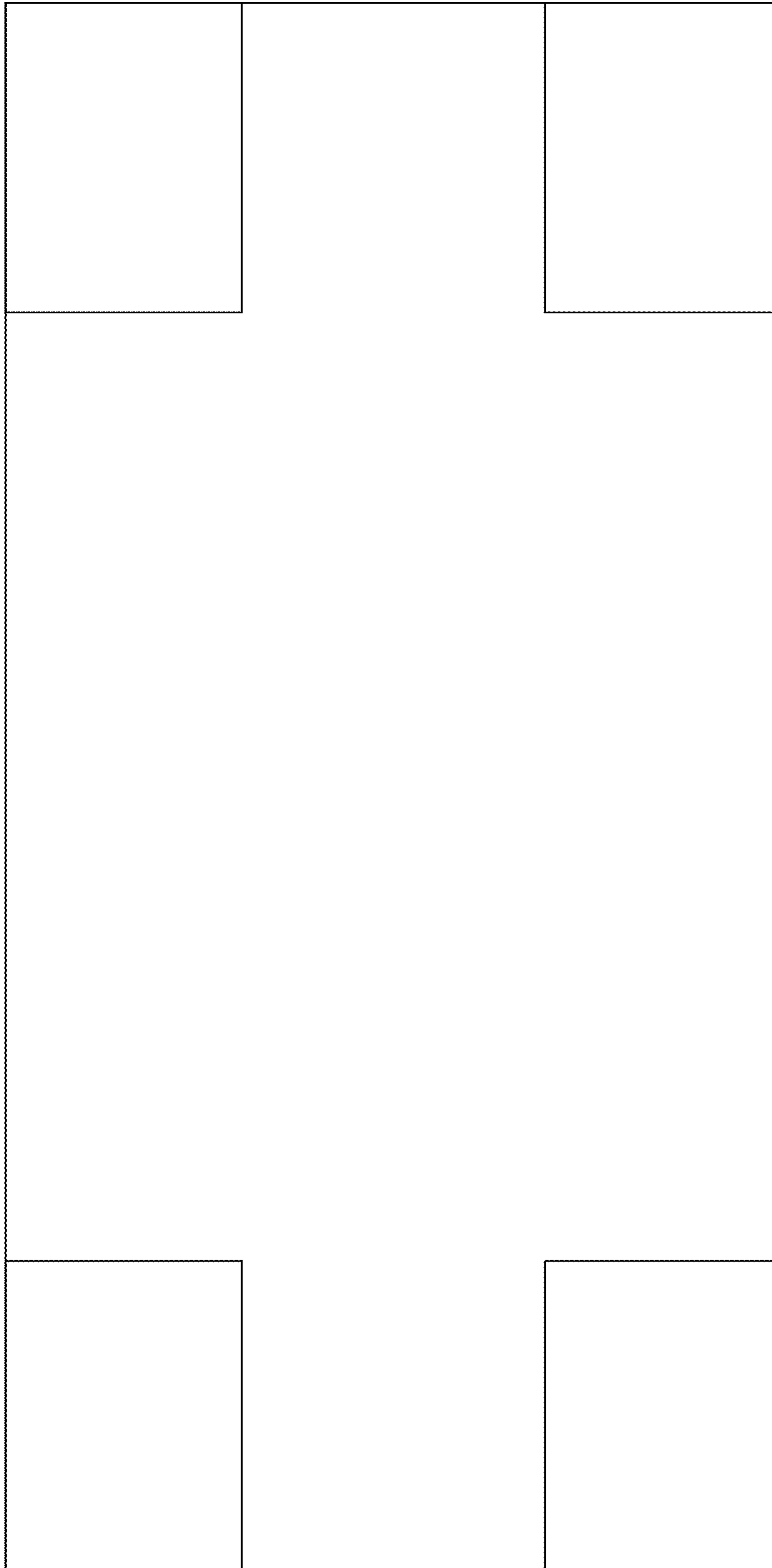


FIG. 7